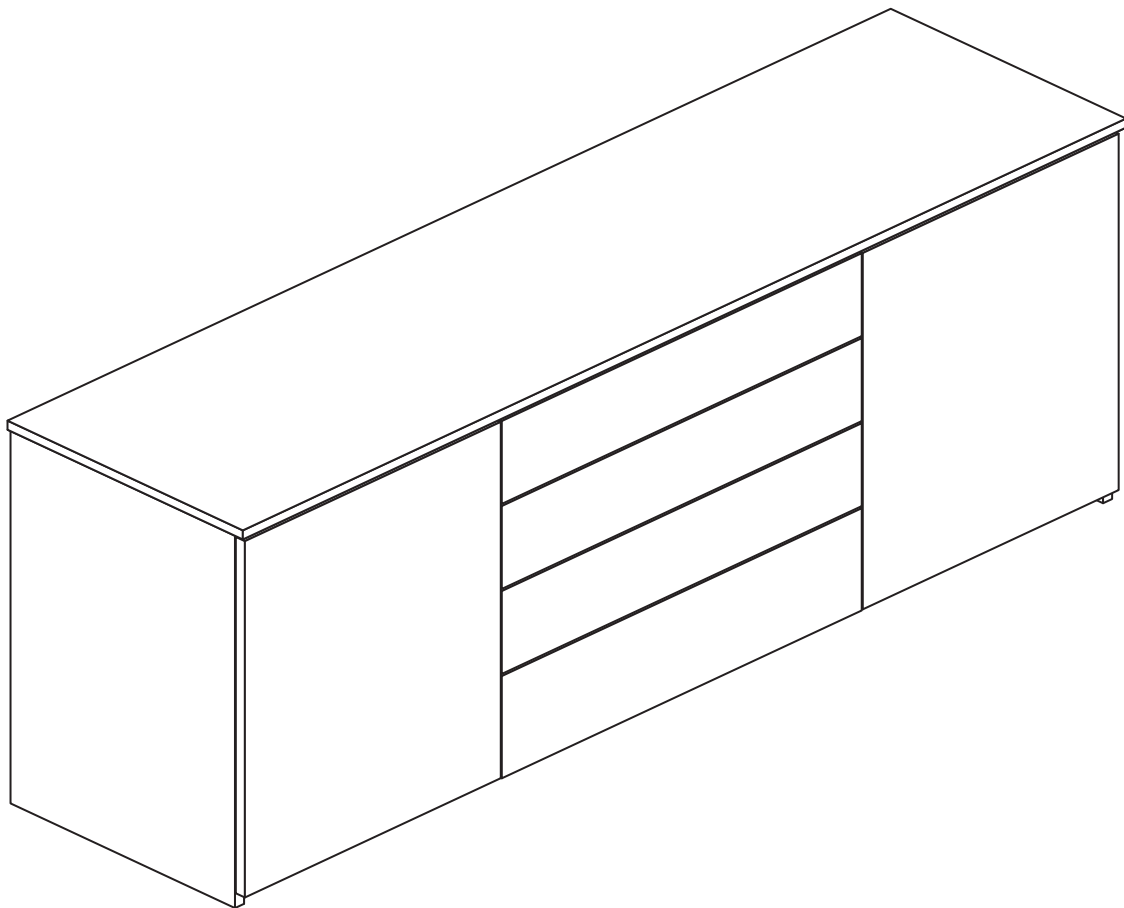


# Aurora - 4 Drawer 2 Door Sideboard

Assembly Instructions - Please keep for future reference

157/1844

171/5703



## Dimensions

Width - 146cm

Depth - 39cm

Height - 63.5cm



**MADE IN  
BRITAIN**

**Important** - Please read these instructions fully before starting assembly

If you need help or have damaged or missing parts, call the **Customer Helpline: 08456 400800**



# Safety and Care Advice

**Important - Please read these instructions fully before starting assembly**

- **Warning:** This unit weighs approximately 40kgs. Please lift with care.

- Check you have all the components and tools listed on pages 2 and 3.

- Remove all fittings from the plastic bags and separate them into their groups.

- Keep children and animals away from the work area, small parts could choke if swallowed.

- Parts of the assembly will be easier with 2 people.

- Make sure you have enough space to layout the parts before starting.

- Do not stand or put weight on the product, this could cause damage.

- Assemble the item as close to its final position (in the same room) as possible.

- Assemble on a soft level surface to avoid damaging the unit or your floor (use opened out unit carton).



- We do not recommend the use of power drill/drivers **for inserting screws**, as this could damage the unit. Only use hand screwdrivers.

- **Safety note:** If there is any chance of this unit being pulled over by children etc. it is recommended that the unit is secured to a wall using suitable fixings (not supplied).

- Dispose of all packaging carefully and responsibly.

## Care and maintenance

- Only clean using a damp cloth and mild detergent, do not use bleach or abrasive cleaners.

- From time to time check that there are no loose screws on this unit.

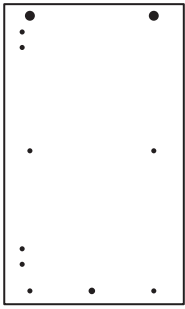
- This product should not be discarded with household waste. Take to your local authority waste disposal centre.

**Note:** If required the next page can be cut out and used as reference throughout the assembly. Keep this page with these instructions for future reference.

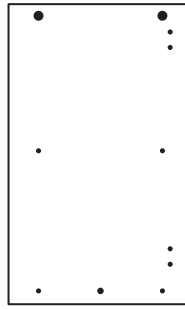
# Components - Panels

If you have damaged or missing components, call the **Customer Helpline: 08456 400800** quoting the reference numbers below

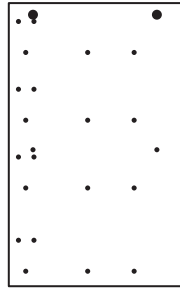
Please check you have all the panels listed below



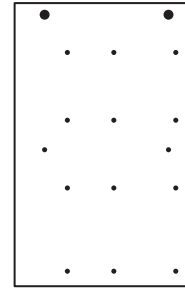
**1** Left Side (D2600A)  
(620 x 371mm)



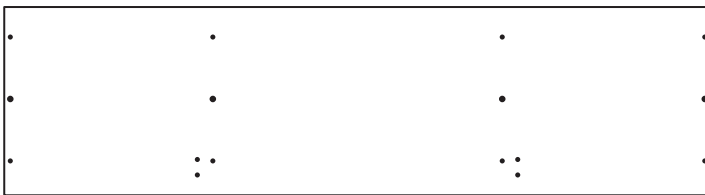
**2** Right Side (D2610A)  
(620 x 371mm)



**3** Left Upright (D2602A)  
(585 x 368mm)



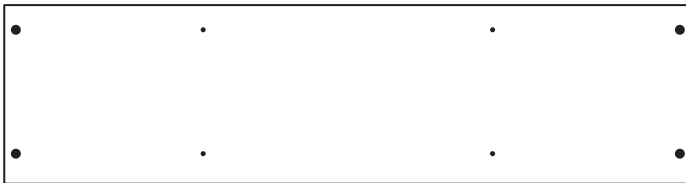
**4** Right Upright (D2612A)  
(585 x 368mm)



**5** Top (D2608A)  
(1460 x 389mm)



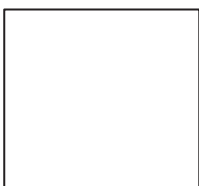
**7** Small Drawer Front (D2606A)  
(595 x 137mm) x 3



**6** Base (D2613A)  
(1420 x 369mm)



**8** Large Drawer Front (D2607A)  
(595 x 169mm)



**9** Shelf (D2616A)  
(403 x 367mm) x 2



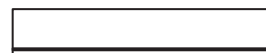
**10** Left Drawer Side (W500LH)  
(350 x 95mm) x 4



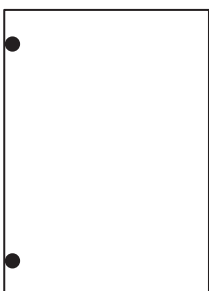
**11** Right Drawer Side (W500RH)  
(350 x 95mm) x 4



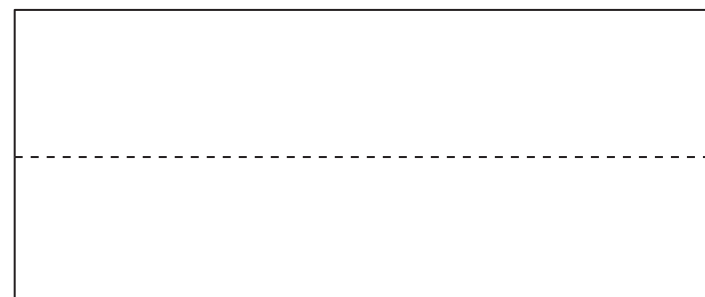
**13** Drawer Base (T542-347)  
(542 x 347mm) x 4



**12** Drawer Back (W531-95)  
(531 x 95mm) x 4



**14** Door (D2614A)  
(589 x 423mm) x 2



**15** Back (X1446-608)  
(1446 x 608mm)

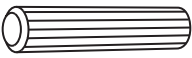
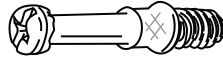
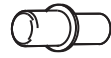


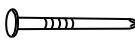




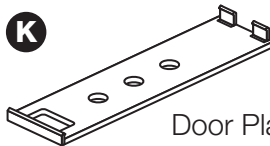
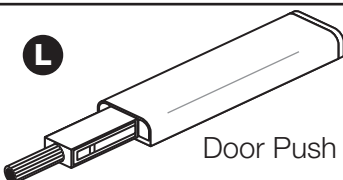
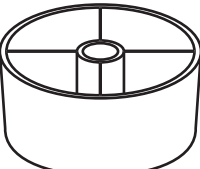
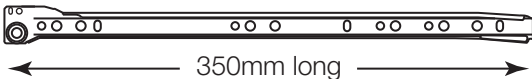

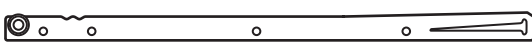
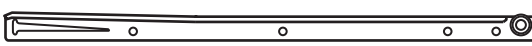
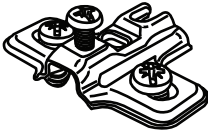
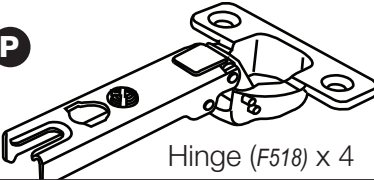



# Components - Fittings

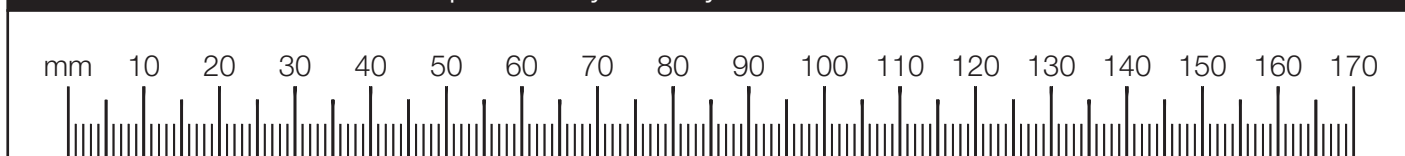
If you have damaged or missing components, call the  
**Customer Helpline: 08456 400800** quoting the reference  
 numbers below

Please check you have all the fittings listed below

**Note:** The quantities below are the correct amount to complete the assembly. In some cases more fittings may be supplied than are required.

<p><b>A</b> </p> <p>Wooden dowel (F22) x 6</p>	<p><b>B</b> </p> <p>Metal dowel (F901) x 20</p>	<p><b>C</b> </p> <p>Shelf support (F121) x 8</p>
<p><b>D</b> </p> <p>Small locking nut (F3) x 8</p>	<p><b>E</b> </p> <p>Large locking nut (F900) x 12</p>	<p><b>F</b> </p> <p>Nail (F51) x 28</p>
<p><b>G</b> </p> <p>55mm Screw (F898) x 4</p>	<p><b>H</b> </p> <p>13mm Screw (F52) x 36</p>	<p><b>I</b> </p> <p>13mm Screw (F63) x 32</p>
<p><b>J</b> </p> <p>Knock-in Peg (F171) x 16</p>	<p><b>K</b> </p> <p>Door Plate (F259) x 6</p>	<p><b>L</b> </p> <p>Door Push (F258) x 6</p>
<p><b>M</b> </p> <p>Feet (F854) x 4</p>	<p><b>N a</b>  L Runner (F159) x 4          ← 350mm long →</p> <p><b>N b</b>  R Runner (F160) x 4</p> <p><b>N c</b>  L Runner (F161) x 4</p> <p><b>N d</b>  R Runner (F162) x 4</p>	
<p><b>O</b> </p> <p>Hinge plate (F523) x 4</p>	<p><b>P</b> </p> <p>Hinge (F518) x 4</p> <p><b>Q</b> </p> <p>Wedgefix (F639) x 16</p>	

Ruler - Use this ruler to help correctly identify the screws



# Assembly Instructions

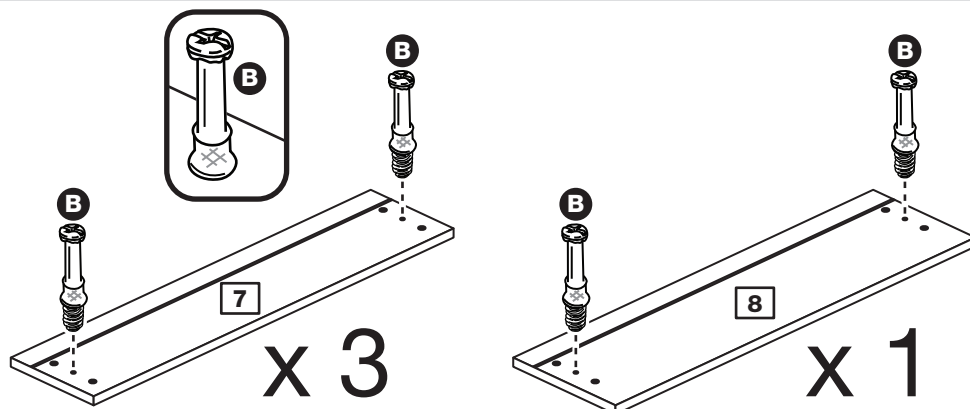
If you have damaged or missing components, call the  
**Customer Helpline: 08456 400800** quoting the reference  
numbers below

## Step 1

### Prepare the drawer fronts

Screw 2 metal dowels **B** into each small drawer front **7** and the large drawer front **8**.

**Note:** Tighten metal dowels up fully against the panels.

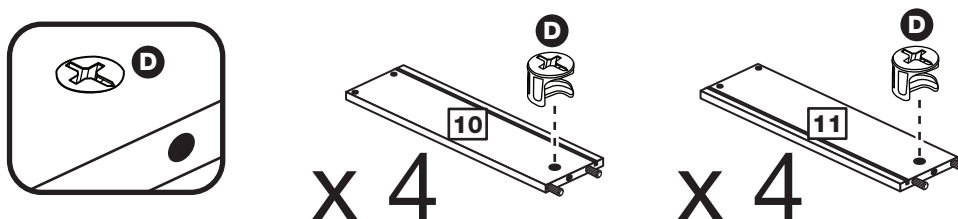


## Step 2

### Prepare the drawer sides

Insert a small locking nut **D** into the hole shown on the left drawer side **10** and right drawer side **11**.

**Note:** Arrow on locking nut **must** point towards hole in edge of panel.



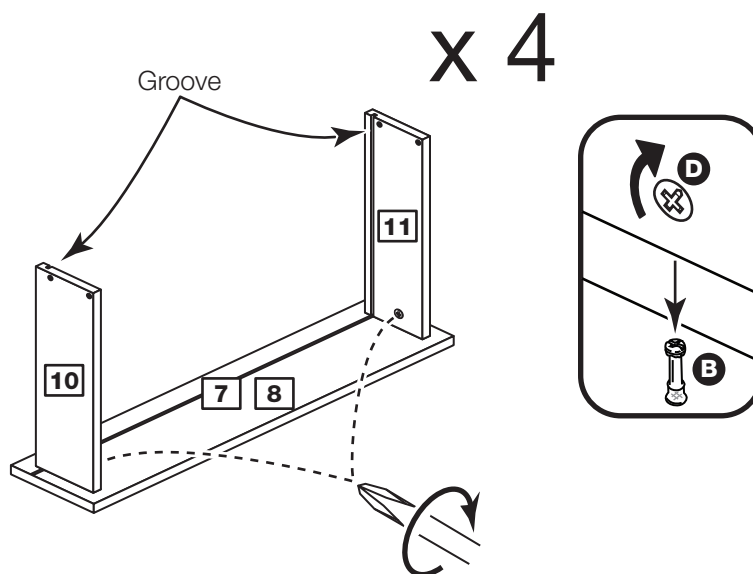
## Step 3

### Attach the drawer sides to the drawer front

Push the left drawer side **10** and right drawer side **11** onto the back of the drawer fronts **7** and **8**.

Turn the small locking nuts **D** on the left drawer side **10** and right drawer side **11**.

**Note:** Turn the locking nuts **D** clockwise to secure panels - more than 1/2 a turn.



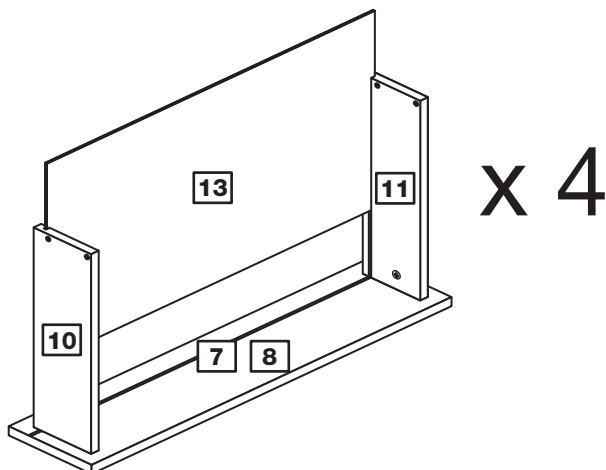
**Note:** The locking nuts can be on either surface of the drawer sides. Make sure that the groove is on the inside, as shown.

# Assembly Instructions

## Step 4

### Fit the drawer base

Slide the drawer base **13** down the grooves in the drawer sides **10** and **11** and down into the groove in the drawer front **7** and **8**.



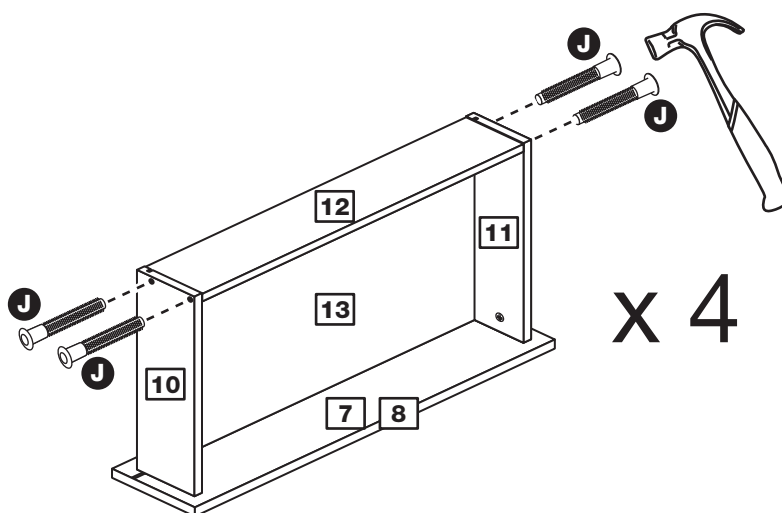
## Step 5

### Fit the drawer back

Fit the drawer back **12** between the drawer sides **10** and **11**.

Make sure that the drawer base **13** fits into the groove in the drawer back **12**.

Hold the drawer back **12** in position and tap the knock-in pegs **J** through the holes in the drawer sides **10** and **11**.



# Assembly Instructions

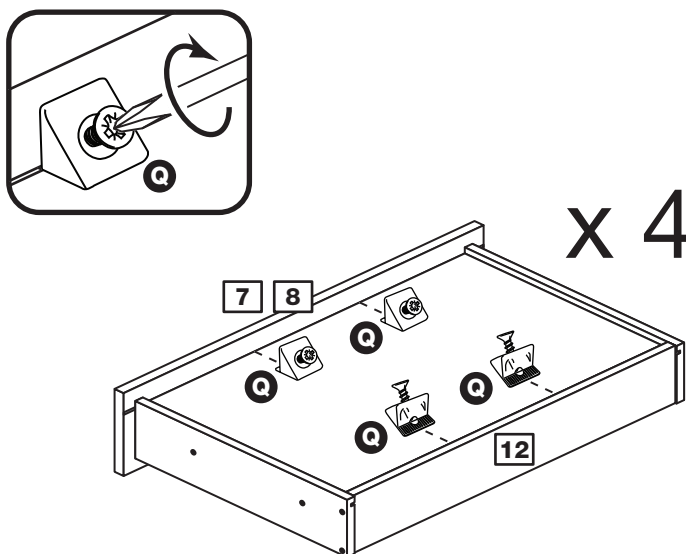
## Step 6

### Fit the wedgexes

Turn the drawer assemblies over.

On each of the drawer assemblies, slide 2 wedgexes **Q** into the small groove in the drawer front **7** or **8** and 2 into the small groove in the drawer back **11**, as shown.

Once the wedgexes are in place, tighten up their screws.



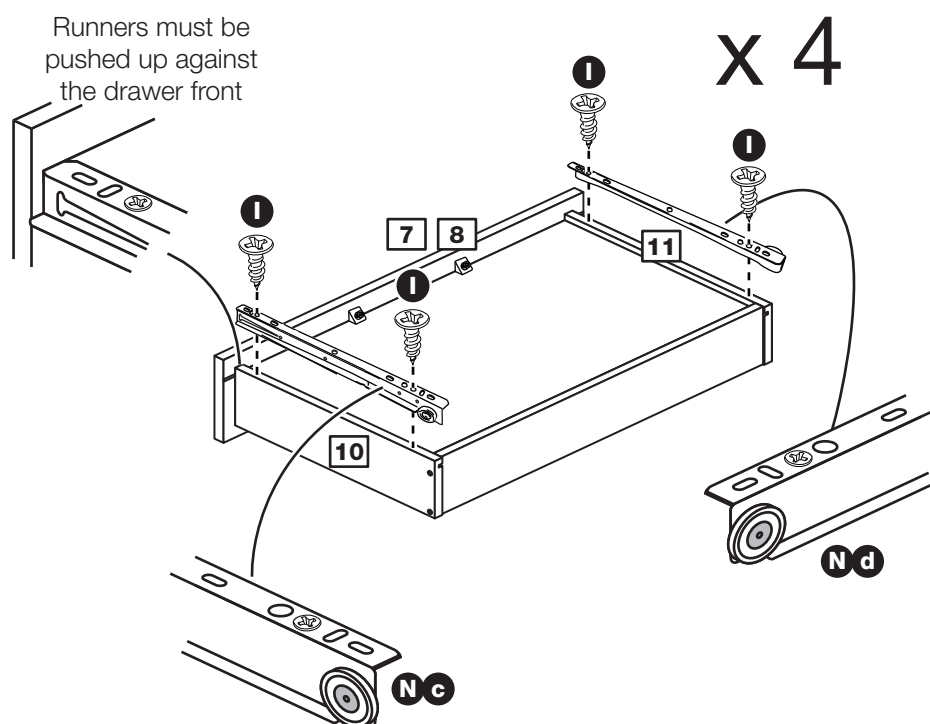
## Step 7

### Fit the runners to the drawers

Turn the drawer assemblies over.

Fit the runner **Nc** to the bottom edge of the left drawer side **10**, as shown, making sure that it is pushed up against the back of the drawer front **7** and **8**. Use a bradawl to mark the fixing positions, then secure with 2 screws **I**.

Fit the runner **Nd** to the bottom edge of the right drawer side **11** using the same method.



# Assembly Instructions

## Step 8

### Prepare the left upright

**a:** Tap a wooden dowel **A** into the left upright **3**.

**Note:** Wooden dowels **must not** stick out from the edge by more than 10mm or they may damage other panels.

Insert 2 large locking nuts **E** into the left upright **3**.

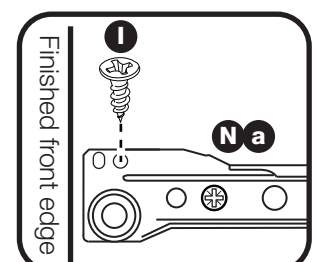
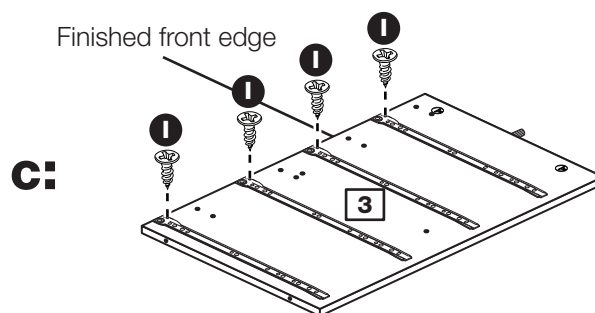
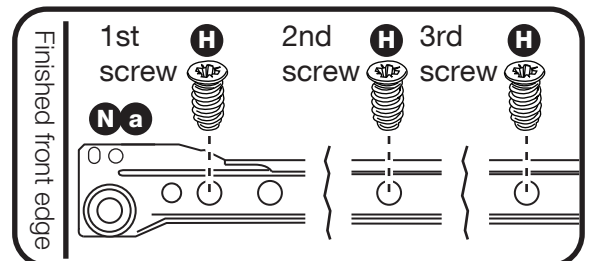
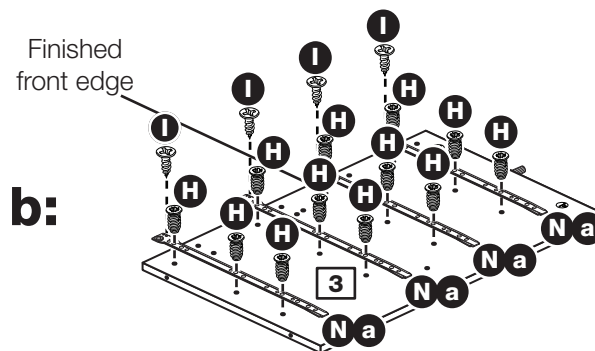
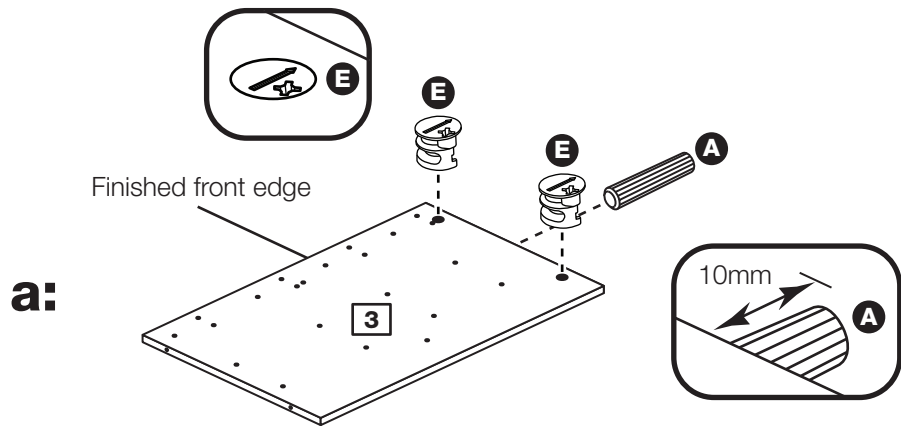
**Note:** The arrow on the locking nut **must** point towards the hole in the edge of the panel.

**b:** Fit 4 runners **Na** to the left upright **3**.

The 1st screw **H** uses the 2nd hole from the front of the runner.

The 2nd and 3rd screws **H** use the holes that line up with the other panel holes.

**c:** Fit a screw **I** into the 2nd hole in at the top of the runner **Na**.





# Assembly Instructions

## Step 9

### Prepare the right upright

**a:** Tap a wooden dowel **A** into the right upright **4**.

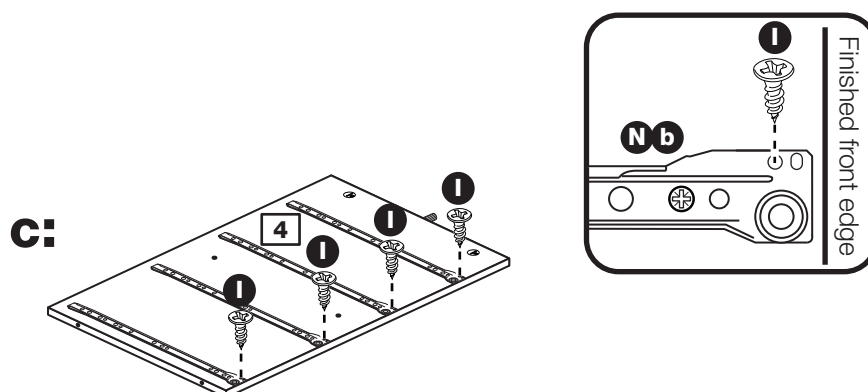
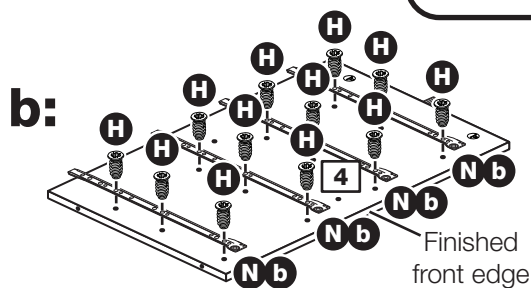
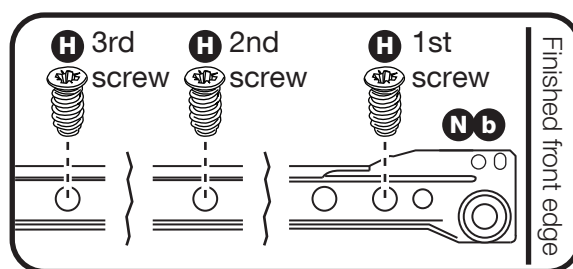
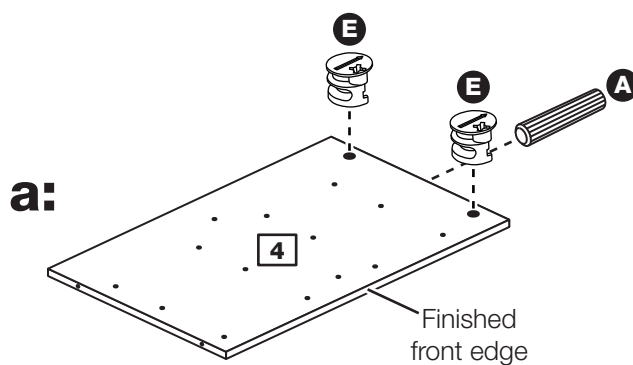
Insert 2 large locking nuts **E** into the right upright **4**.

**b:** Fit 4 runners **Nb** to the right upright **4**.

The 1st screw **H** uses the 2nd hole from the front of the runner.

The 2nd and 3rd screws **H** use the holes that line up with the other panel holes.

**c:** Fit a screw **I** into the 2nd hole in at the top of the runner **Nb**.



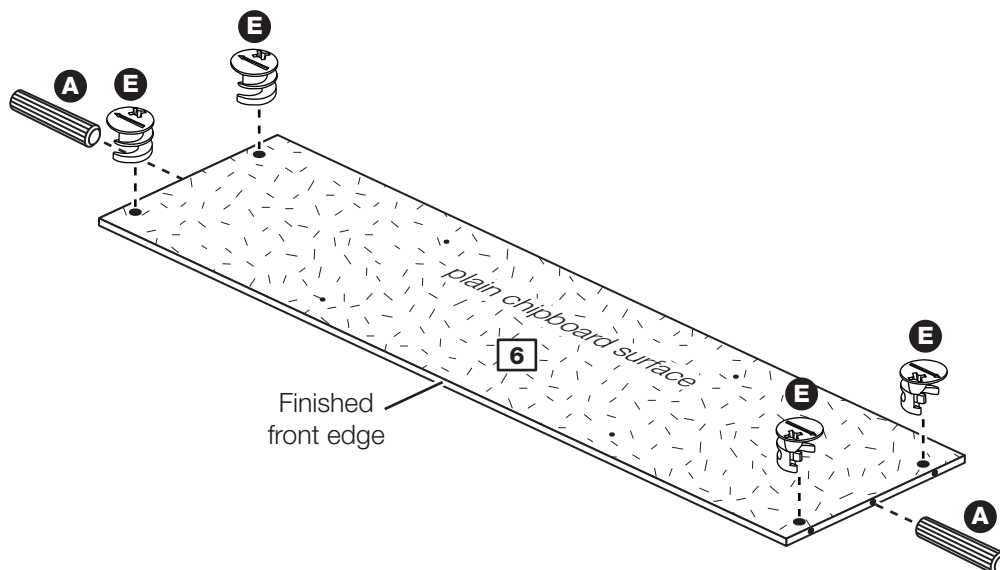
# Assembly Instructions

## Step 10

### Prepare the base

Tap 2 wooden dowels **A** into the base **6**.

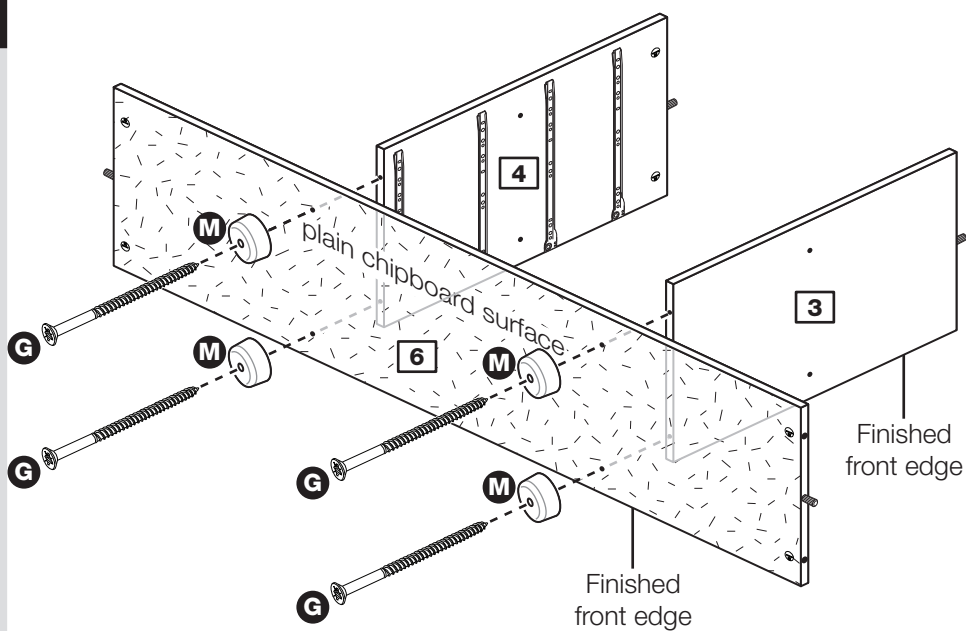
Insert 4 large locking nuts **E** into the base **6**.



## Step 11

### Fit the feet and uprights to the base

Screw the feet **M** onto the base **6** and on into the bottom edge of the left upright **3** and right upright **4** using screws **G**.



# Assembly Instructions

## Step 12

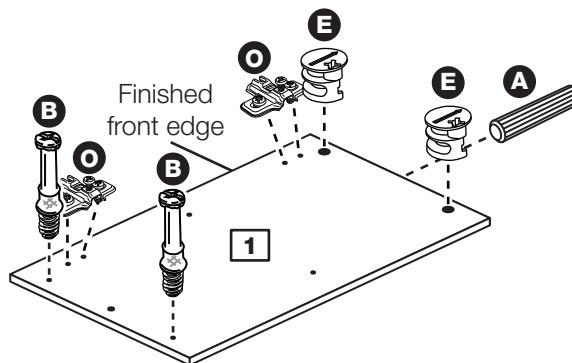
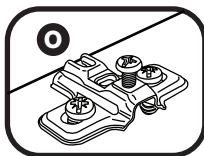
### Prepare the left side

Tap a wooden dowel **A** into the left side **1**.

Screw 2 metal dowels **B** into the left side **1**.

Insert 2 large locking nuts **E** into the left side **1**.

Fit 2 hinge plates **O** onto the left side **1**, making sure that the slot is facing towards the finished front edge.



## Step 13

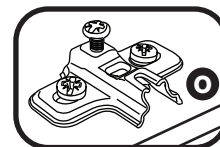
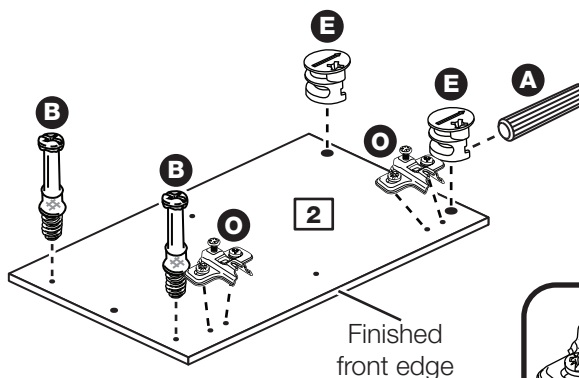
### Prepare the right side

Tap a wooden dowel **A** into the right side **2**.

Screw 2 metal dowels **B** into the right side **2**.

Insert 2 large locking nuts **E** into the right side **2**.

Fit 2 hinge plates **O** onto the right side **2**, making sure that the slot is facing towards the finished front edge.



# Assembly Instructions

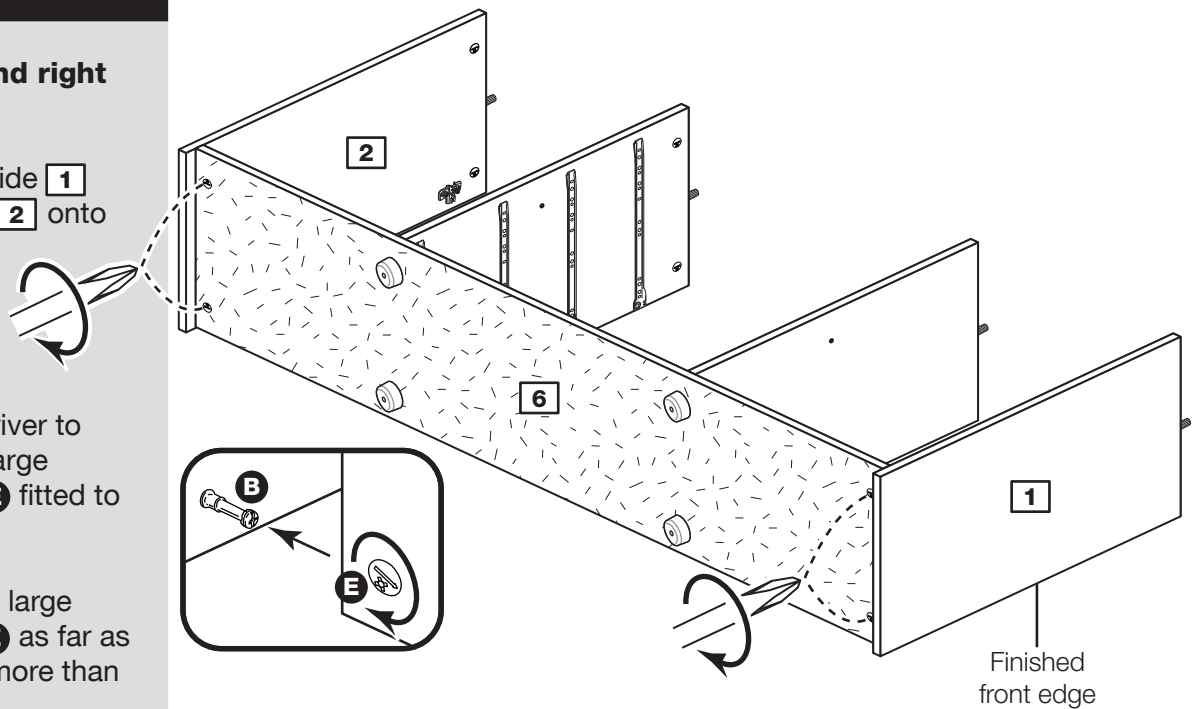
## Step 14

### Fit the left and right sides

Push the left side **1** and right side **2** onto the base **6**.

Use a screwdriver to tighten the 4 large locking nuts **E** fitted to the base **6**.

**Note:** Turn the large locking nuts **E** as far as they will go - more than 1/2 a turn.



## Step 15

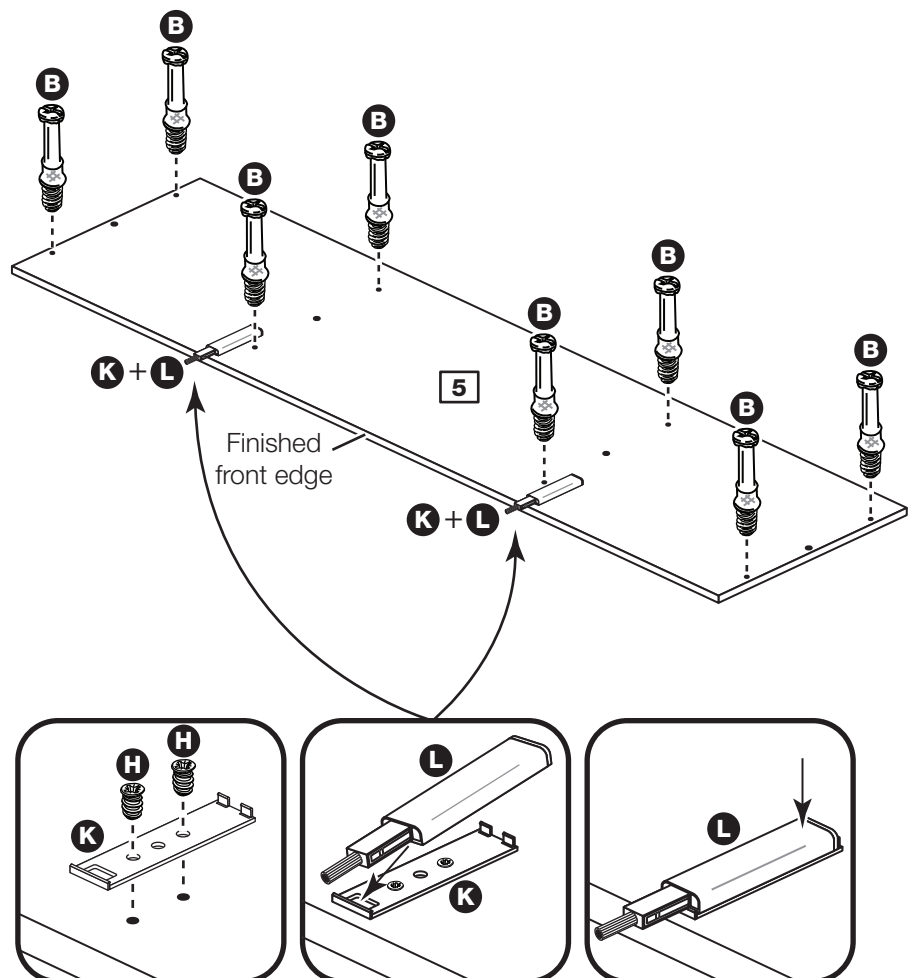
### Prepare the top

Screw 8 metal dowels **B** into the top **5**.

Fit 2 door plates **K** to the top **5** using screws **H**.

Press the door push **L** into the door plate **K**.

Press down the back of the door push **L** to click into place.



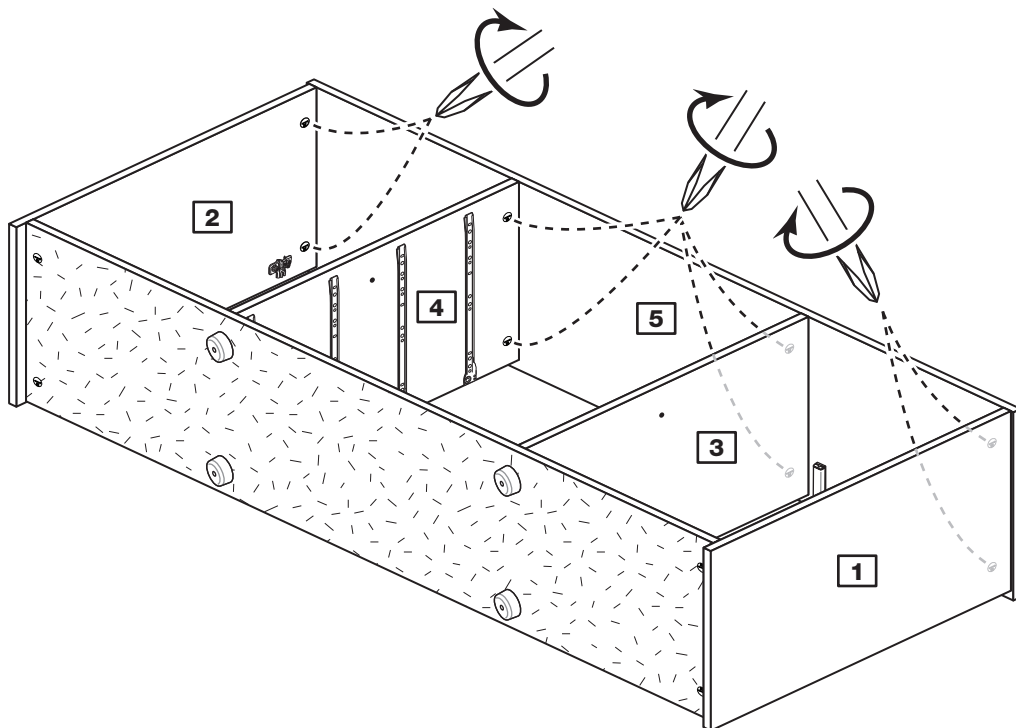
# Assembly Instructions

## Step 16

### Fit the top

Push the top **5** onto the assembly.

Use a screwdriver to tighten the 8 large locking nuts **E** fitted to the left side **1**, right side **2**, left upright **3** and right upright **4**.



## Step 17

### Fit the back

**a:** Square up the unit by making sure that measurement **x to x** equals **y to y**.

**b:** Place the back **15** onto the unit.

Nail **F** around the outside edges of the back **15**.

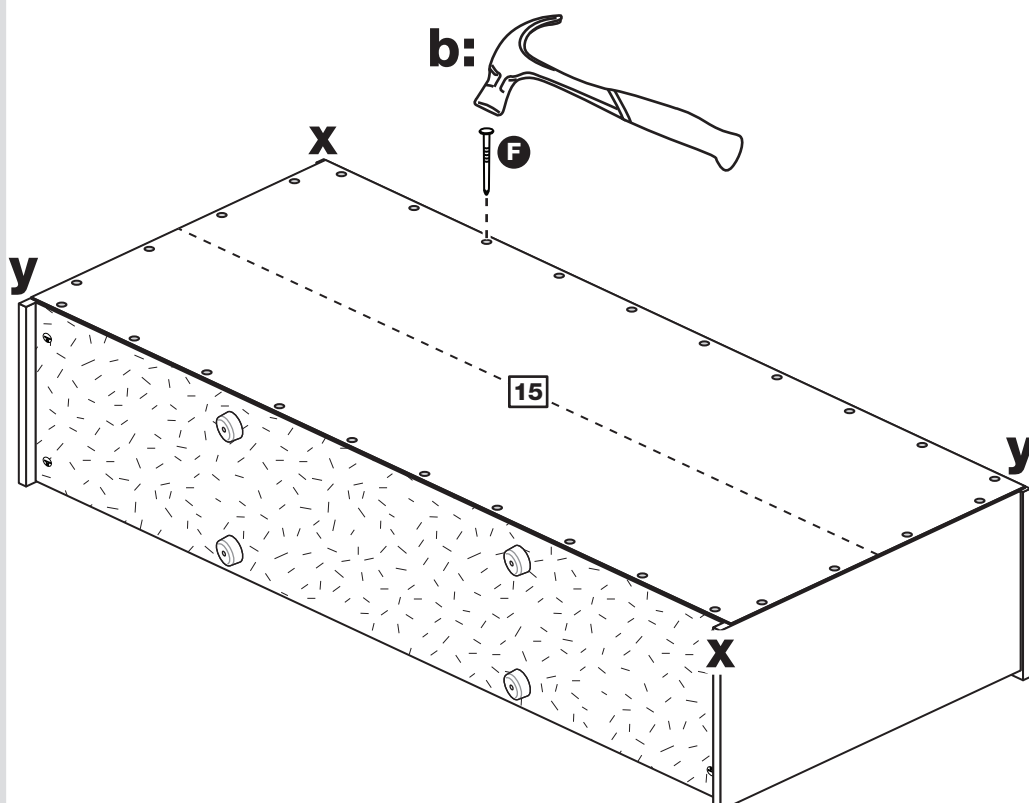
**Note:** Nails should be spaced about 150mm apart.

**Stand the unit up for the next step.**



**Warning:** The unit is heavy. Lift with care.

**a:** The measurement from top corner X to bottom corner X must be equal to the measurement from top corner Y to bottom corner Y



# Assembly Instructions

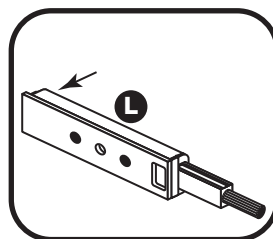
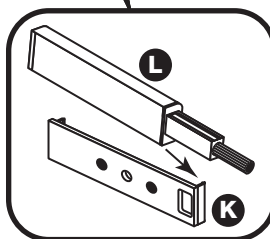
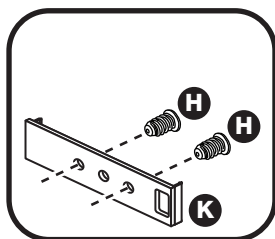
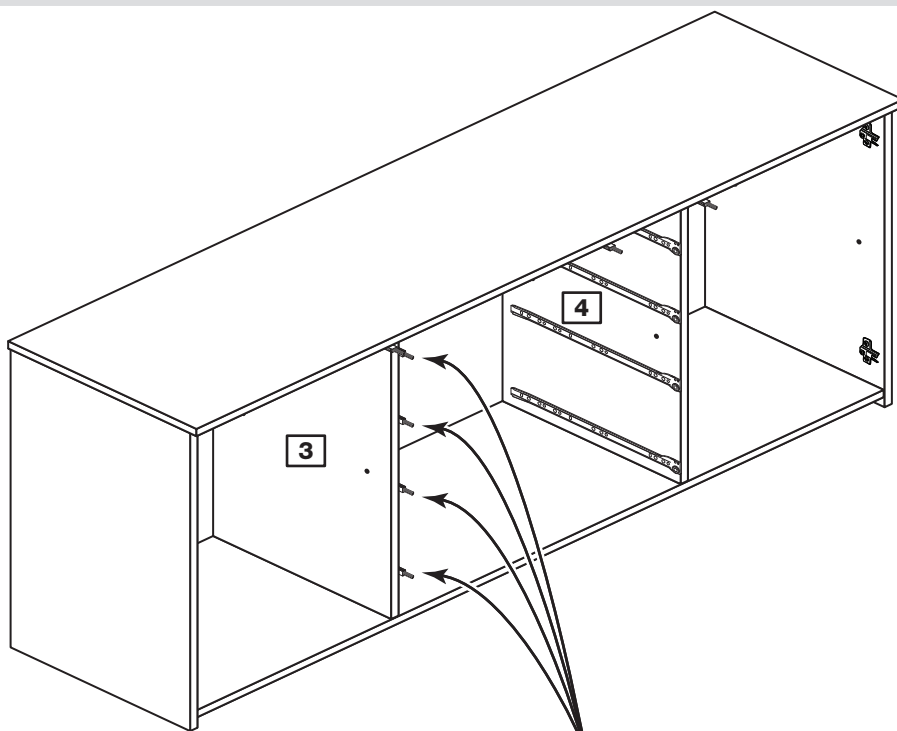
## Step 18

### Fit the door plates and door pushes to the left upright

Fit 4 door plates **K** to the left upright **3** using screws **H**.

Press the door push **L** into the door plate **K**.

Press the back of the door push **L** to click into place.

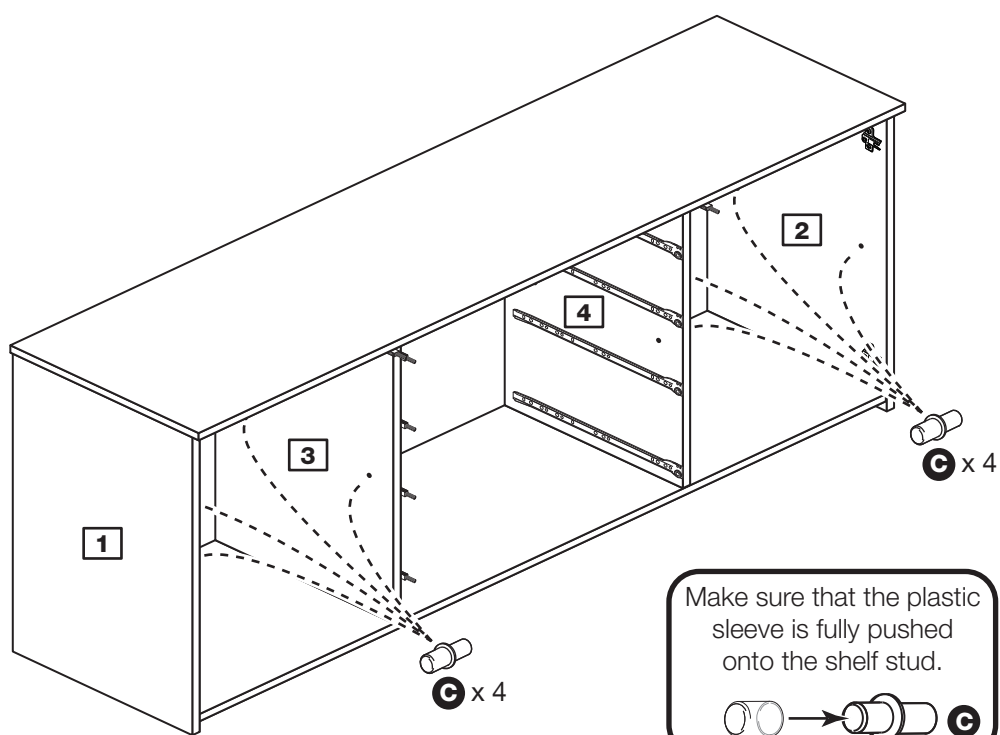


## Step 19

### Fit the shelf studs

Insert the 4 shelf studs **C** into the holes in the left side **1** and the left upright **3**.

Insert the 4 shelf studs **C** into the holes in the right side **2** and the right upright **4**.



Make sure that the plastic sleeve is fully pushed onto the shelf stud.

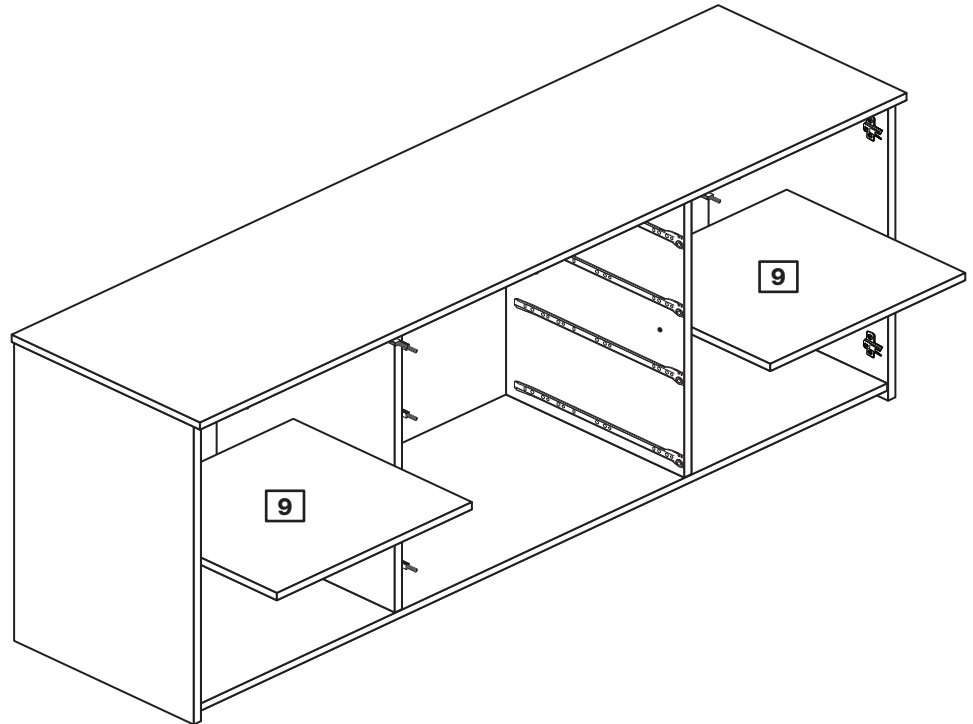


# Assembly Instructions

## Step 20

### Fit the shelves

Lower the 2 shelves **9** down onto the shelf studs **C**.



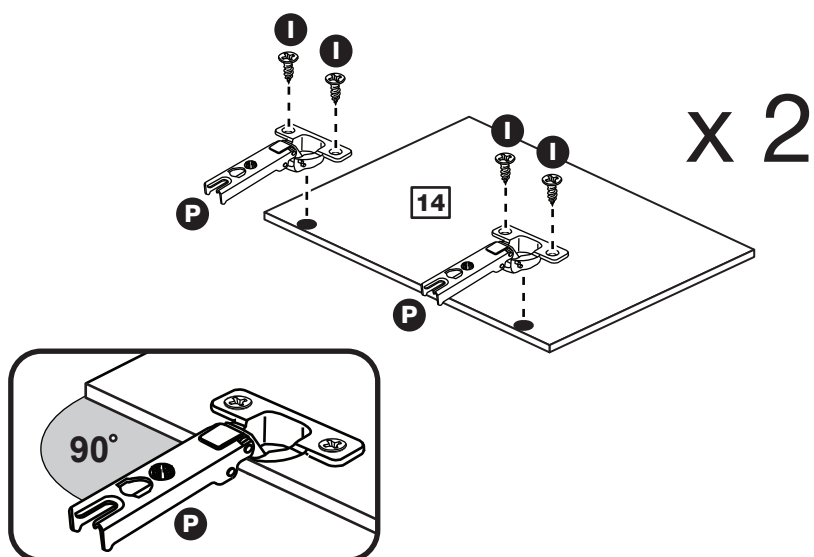
## Step 21

### Prepare the 2 doors

Push fit 2 hinges **P** into each of the doors **14**.

Secure each hinge with 2 screws **I**.

**Note:** Before securing with the screws, make sure that the hinges are positioned at 90 degrees with the edge of the door.



# Assembly Instructions

## Step 22

### Fit the 2 doors

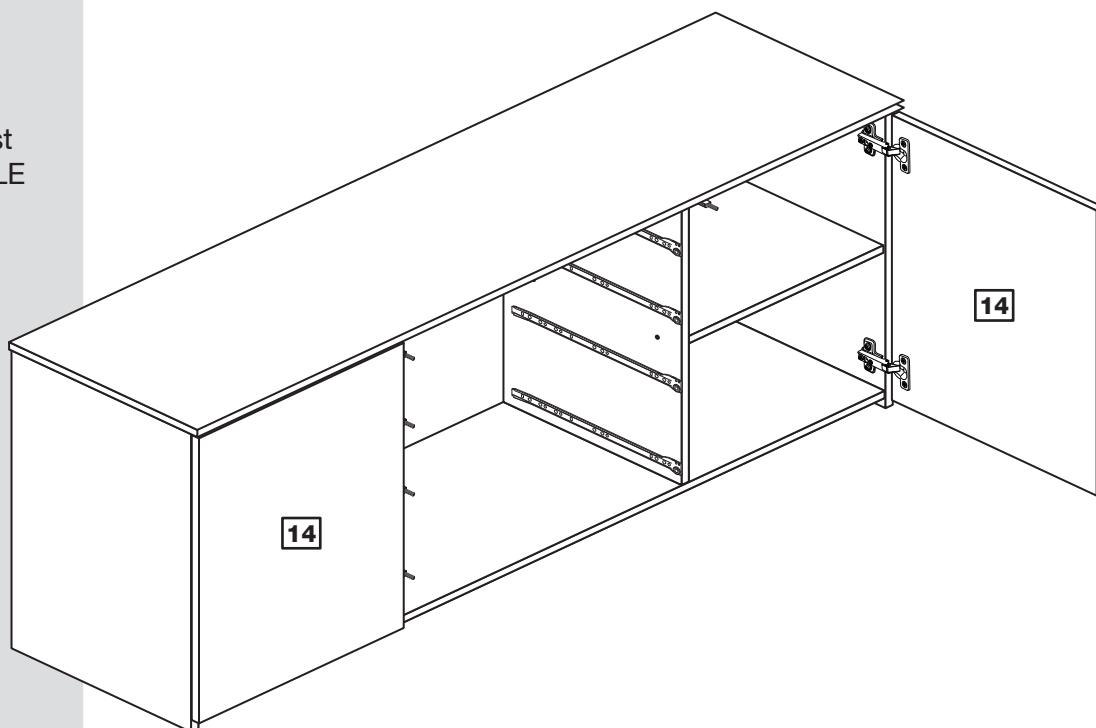
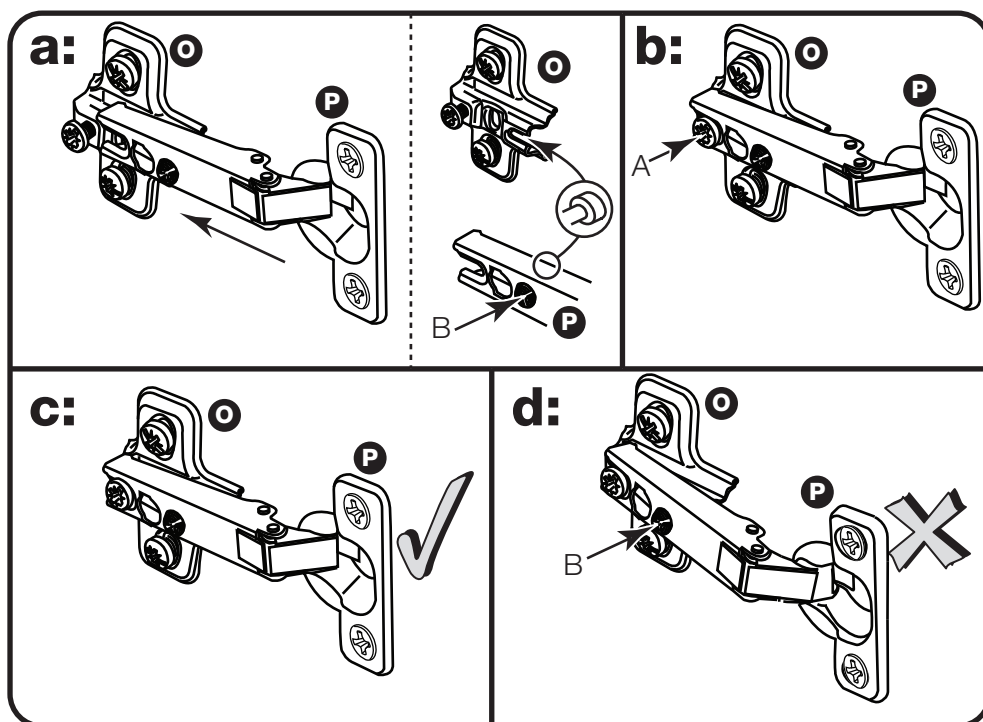
**Note:** The easiest way to attach each door **14** is to fit the top hinge first, then align and fit the other hinge.

**a:** Push the hinge **P** onto the front part of the hinge plate **O**. The recess at the bottom of screw B goes into the slot in the hinge plate.

**b:** Keep the hinge **P** FLAT against the hinge plate **O** as you slide it across as far as it will go. Tighten screw A.

**c:** The hinge **P** must be flat against the hinge plate **O** prior to any adjustment.

**d:** The hinge **P** must NOT be AT AN ANGLE to the hinge plate **O** when assembled. This would indicate that the recess at the bottom of screw B had not located in the slot in the hinge plate and the hinge would not be secure. Remove the hinge from the hinge plate and then re-assemble being careful to follow instructions a-c.





# Assembly Instructions

## Step 23

### Adjust the doors if needed

**a:** Before adjusting the doors, use a spirit level to check the top (or base) of the unit is level, front-to-back and side-to-side in the 3 positions shown.

Use suitable packing pieces (not supplied) to make the unit level BEFORE making any adjustment to the hinges, as shown.

### **b:** Height adjustment.

Loosen screws A on hinge plates and move door up or down as required.

Retighten screw A.

### **c:** Forward and Back adjustment.

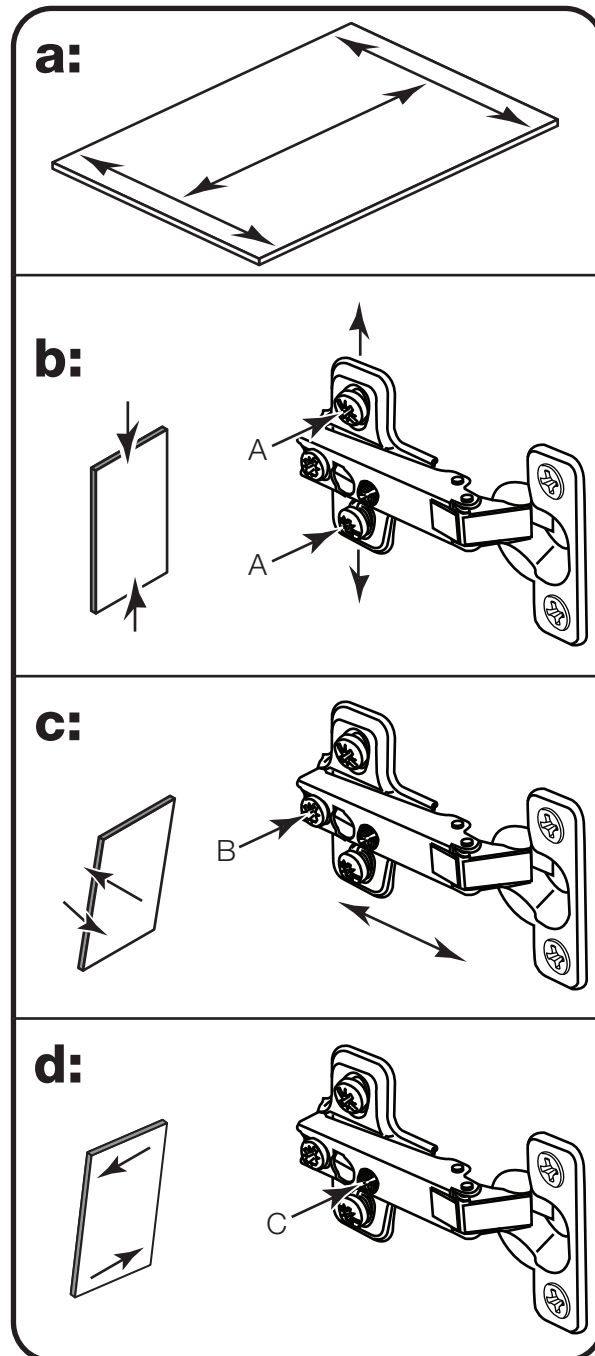
Loosen screw B on hinge plate and move door in or out as required.

Retighten screw B.

### **d:** Sideways adjustment.

To move door 'out' loosen screw C.

To move door 'in' tighten



# Assembly Instructions

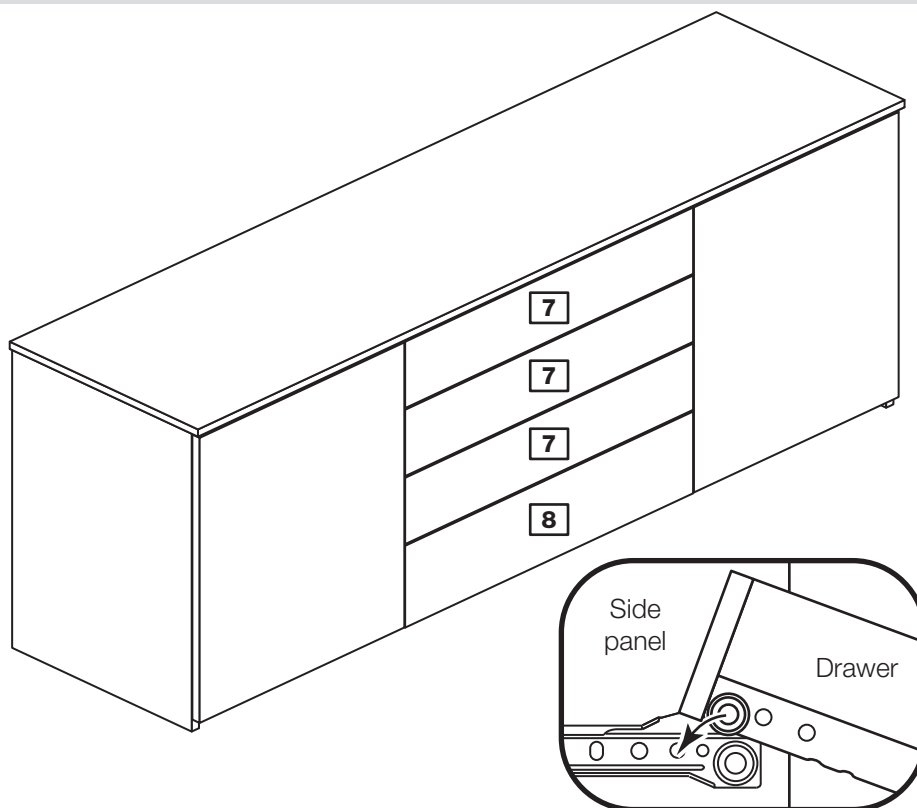
## Step 24

### Fit the drawers

Slide the wheels of the runners fitted to the drawers, over the wheels of the runners fitted to the side panels and push the drawers into position.

**Note:** The large drawer front goes at the bottom.

**Assembly is complete**



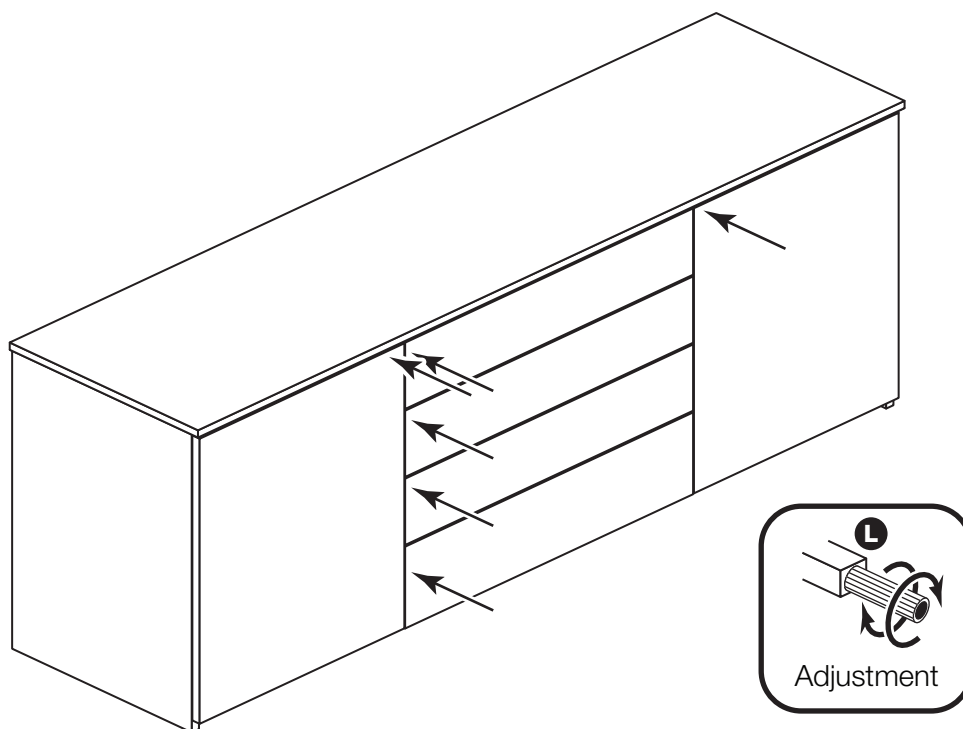
**Note:** Now the assembly has finished you can remove any protective film from the panels.

## Step 25

### Opening the doors and drawers

To open and close the doors and drawers, press them where the door pushes are located.

You can adjust each door push, in or out, by turning it clockwise or anti-clockwise to suit your requirements.



If you need help or have damaged or missing parts, call the Customer Helpline: 08456 400800 and quote the reference numbers on the component pages.

Argos Ltd, 489-499 Avebury Boulevard, Central Milton Keynes, MK9 2NW





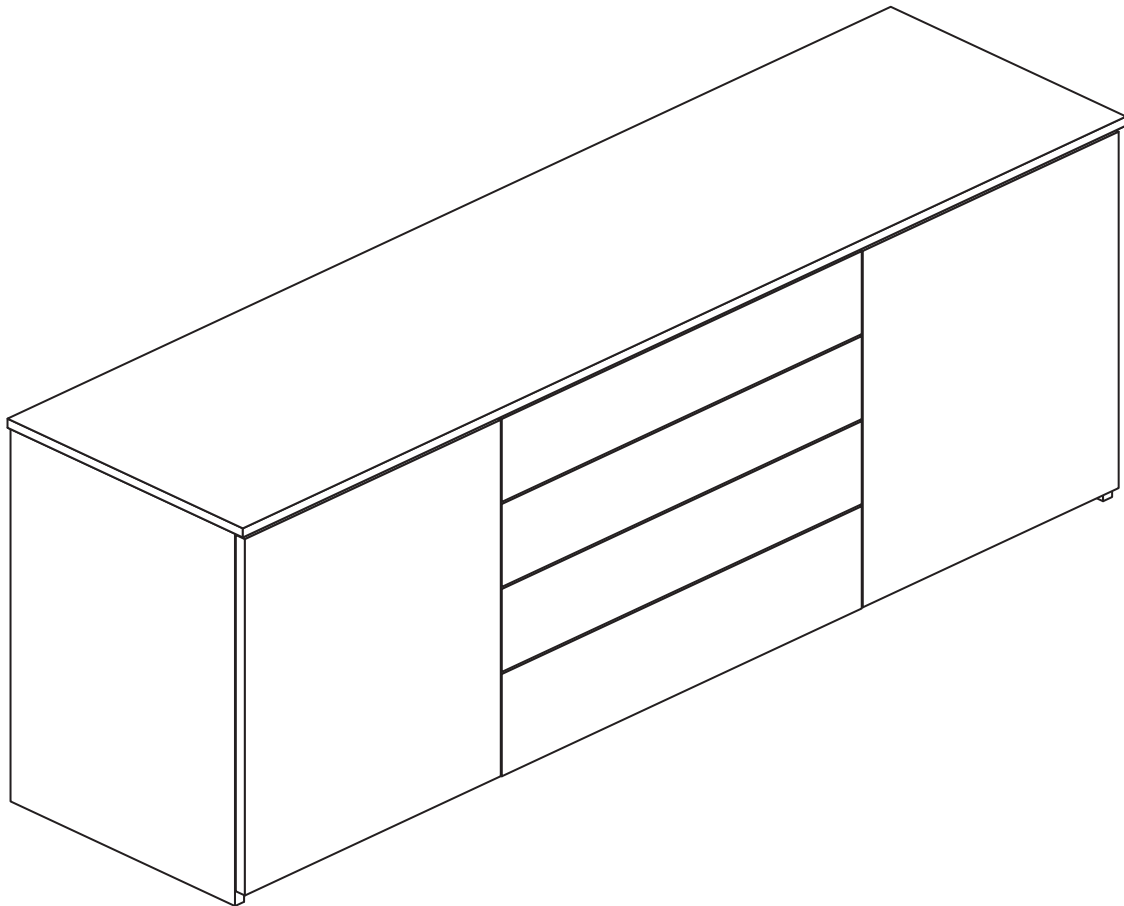
# Aurora - 4 Drawer 2 Door Sideboard

Assembly Instructions - Please keep for future reference

157/1844

171/5703

391/2607



## Dimensions

Width - 146cm

Depth - 39cm

Height - 63.5cm



**MADE IN  
BRITAIN**

**Important** - Please read these instructions fully before starting assembly

If you need help or have damaged or missing parts, call the **Customer Helpline: 03456 400800**



# Safety and Care Advice

**Important - Please read these instructions fully before starting assembly**

- **Warning:** This unit weighs approximately 40kgs. Please lift with care.

- Check you have all the components and tools listed on pages 2 and 3.

- Remove all fittings from the plastic bags and separate them into their groups.

- Keep children and animals away from the work area, small parts could choke if swallowed.

- Parts of the assembly will be easier with 2 people.

- Make sure you have enough space to layout the parts before starting.

- Do not stand or put weight on the product, this could cause damage.

- Assemble the item as close to its final position (in the same room) as possible.

- Assemble on a soft level surface to avoid damaging the unit or your floor (use opened out unit carton).



- We do not recommend the use of power drill/drivers **for inserting screws**, as this could damage the unit. Only use hand screwdrivers.

- **Safety note:** If there is any chance of this unit being pulled over by children etc. it is recommended that the unit is secured to a wall using suitable fixings (not supplied).

- Dispose of all packaging carefully and responsibly.

## Care and maintenance

- Only clean using a damp cloth and mild detergent, do not use bleach or abrasive cleaners.

- From time to time check that there are no loose screws on this unit.

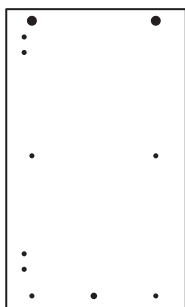
- This product should not be discarded with household waste. Take to your local authority waste disposal centre.

**Note:** If required the next page can be cut out and used as reference throughout the assembly. Keep this page with these instructions for future reference.

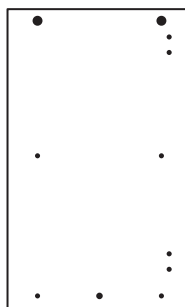
# Components - Panels

If you have damaged or missing components, call the **Customer Helpline: 03456 400800** quoting the reference numbers below

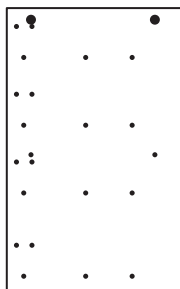
Please check you have all the panels listed below



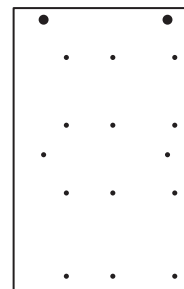
**1** Left Side (D2600A)  
(620 x 371mm)



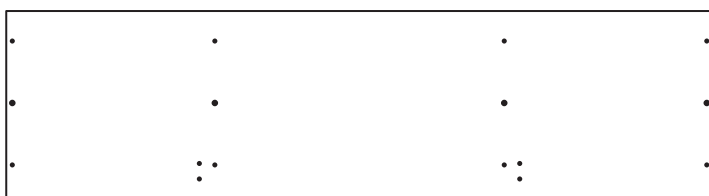
**2** Right Side (D2610A)  
(620 x 371mm)



**3** Left Upright (D2602A)  
(585 x 368mm)



**4** Right Upright (D2612A)  
(585 x 368mm)



**5** Top (D2608A)  
(1460 x 389mm)



**7** Small Drawer Front (D2606A)  
(595 x 137mm) x 3



**6** Base (D2613A)  
(1420 x 369mm)



**8** Large Drawer Front (D2607A)  
(595 x 169mm)



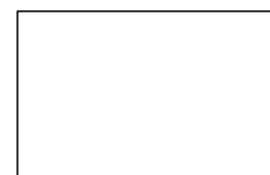
**9** Shelf (D2616A)  
(403 x 367mm) x 2



**10** Left Drawer Side (W350-95LLH)  
(350 x 95mm) x 4



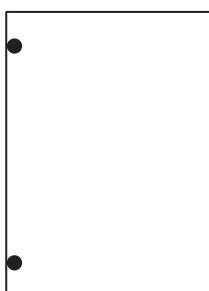
**11** Right Drawer Side (W350-95LRH)  
(350 x 95mm) x 4



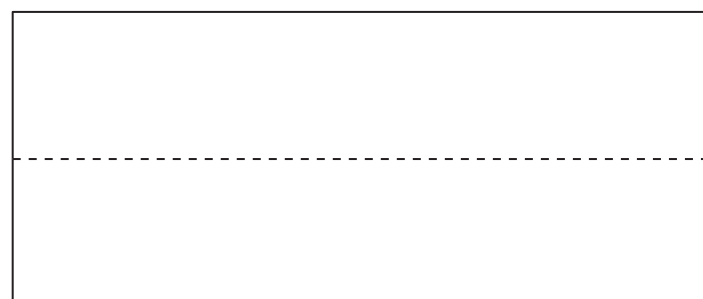
**13** Drawer Base (T542-347)  
(542 x 347mm) x 4



**12** Drawer Back (W531-95)  
(531 x 95mm) x 4



**14** Door (D2614A)  
(589 x 423mm) x 2



**15** Back (X1446-608)  
(1446 x 608mm)

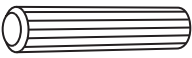
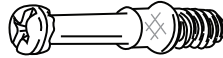
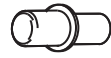


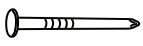




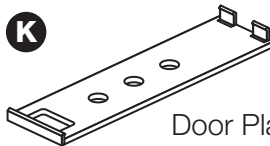
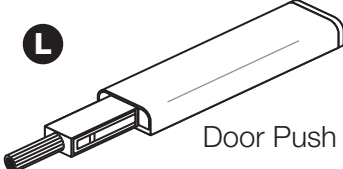
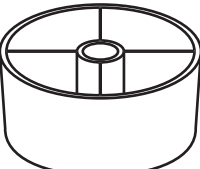
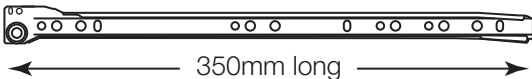

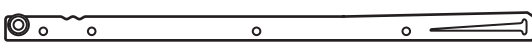
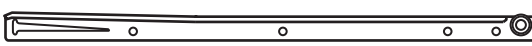
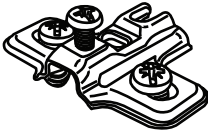
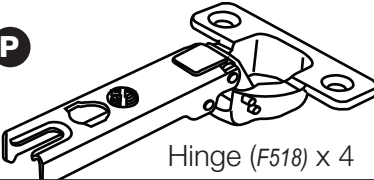



# Components - Fittings

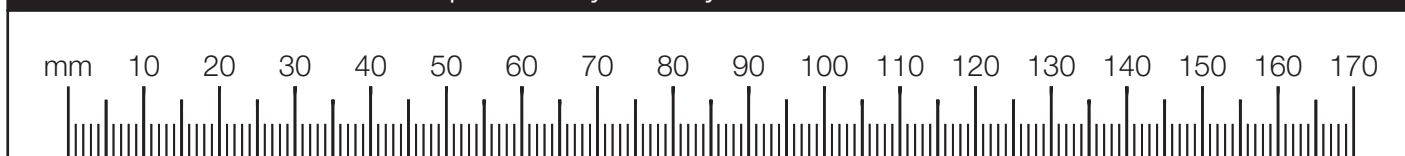
If you have damaged or missing components, call the **Customer Helpline: 03456 400800** quoting the reference numbers below

Please check you have all the fittings listed below

**Note:** The quantities below are the correct amount to complete the assembly. In some cases more fittings may be supplied than are required.

<p><b>A</b> </p> <p>Wooden dowel (F22) x 6</p>	<p><b>B</b> </p> <p>Metal dowel (F901) x 20</p>	<p><b>C</b> </p> <p>Shelf support (F121) x 8</p>
<p><b>D</b> </p> <p>Small locking nut (F3) x 8</p>	<p><b>E</b> </p> <p>Large locking nut (F900) x 12</p>	<p><b>F</b> </p> <p>Nail (F51) x 28</p>
<p><b>G</b> </p> <p>55mm Screw (F898) x 4</p>	<p><b>H</b> </p> <p>13mm Screw (F52) x 36</p>	<p><b>I</b> </p> <p>13mm Screw (F63) x 32</p>
<p><b>J</b> </p> <p>Knock-in Peg (F171) x 16</p>	<p><b>K</b> </p> <p>Door Plate (F259) x 6</p>	<p><b>L</b> </p> <p>Door Push (F258) x 6</p>
<p><b>M</b> </p> <p>Feet (F854) x 4</p>	<p><b>N a</b>  L Runner (F159) x 4 ← 350mm long →</p> <p><b>N b</b>  R Runner (F160) x 4</p> <p><b>N c</b>  L Runner (F161) x 4</p> <p><b>N d</b>  R Runner (F162) x 4</p>	
<p><b>O</b> </p> <p>Hinge plate (F523) x 4</p>	<p><b>P</b> </p> <p>Hinge (F518) x 4</p> <p><b>Q</b> </p> <p>Wedgefix (F639) x 16</p>	

Ruler - Use this ruler to help correctly identify the screws





# Assembly Instructions

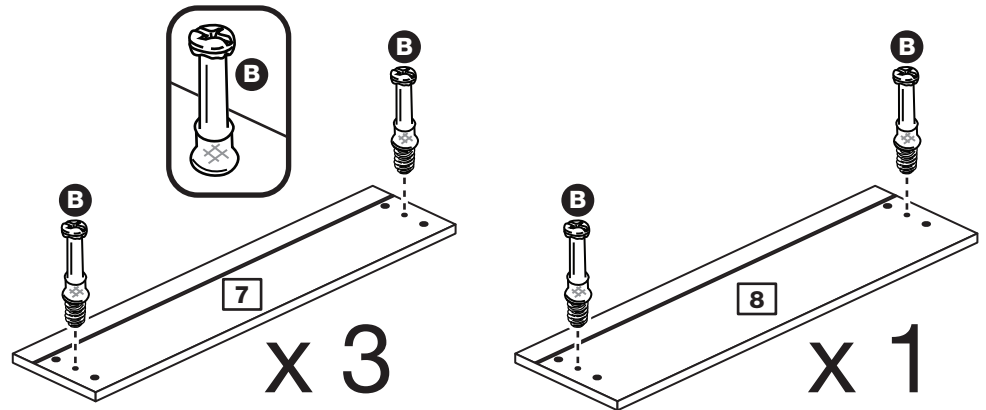
If you have damaged or missing components, call the  
**Customer Helpline: 03456 400800** quoting the reference  
numbers below

## Step 1

### Prepare the drawer fronts

Screw 2 metal dowels **B** into each small drawer front **7** and the large drawer front **8**.

**Note:** Tighten metal dowels up fully against the panels.

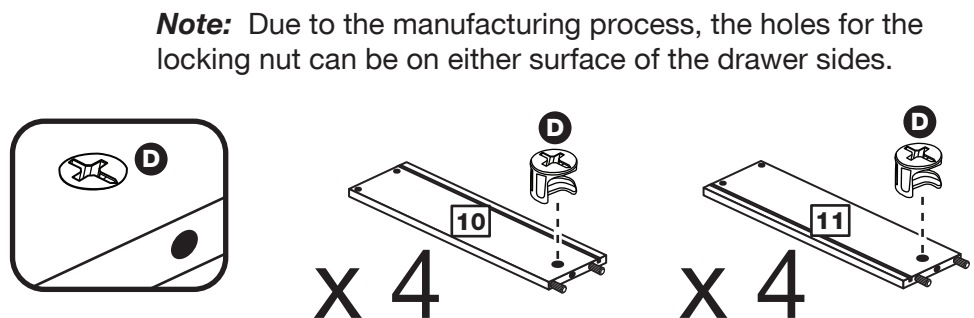


## Step 2

### Prepare the drawer sides

Insert a small locking nut **D** into the hole shown on the left drawer side **10** and right drawer side **11**.

**Note:** Arrow on locking nut **must** point towards hole in edge of panel.



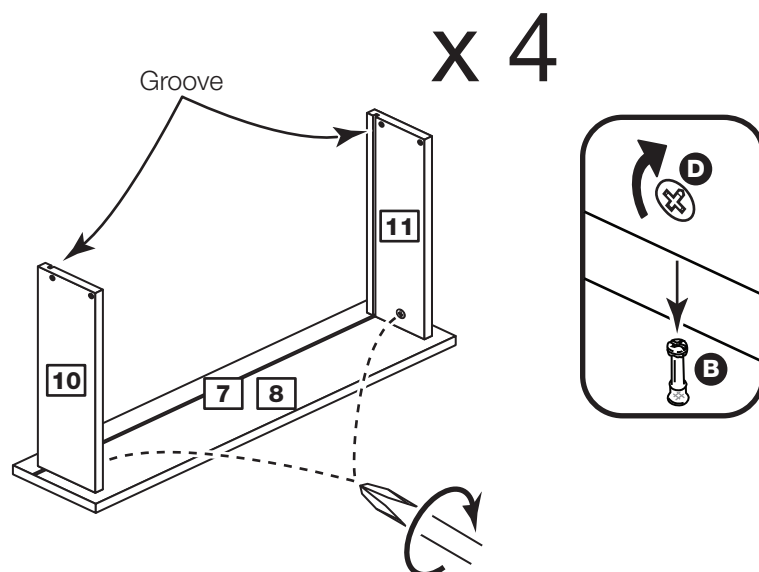
## Step 3

### Attach the drawer sides to the drawer front

Push the left drawer side **10** and right drawer side **11** onto the back of the drawer fronts **7** and **8**.

Turn the small locking nuts **D** on the left drawer side **10** and right drawer side **11**.

**Note:** Turn the locking nuts **D** clockwise to secure panels - more than 1/2 a turn.



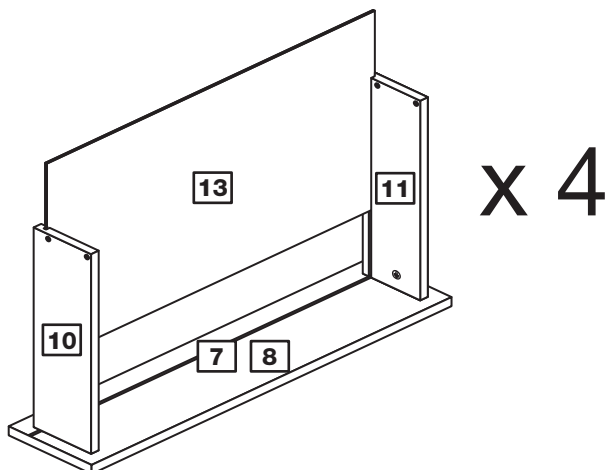
**Note:** The locking nuts can be on either surface of the drawer sides. Make sure that the groove is on the inside, as shown.

# Assembly Instructions

## Step 4

### Fit the drawer base

Slide the drawer base **13** down the grooves in the drawer sides **10** and **11** and down into the groove in the drawer front **7** and **8**.



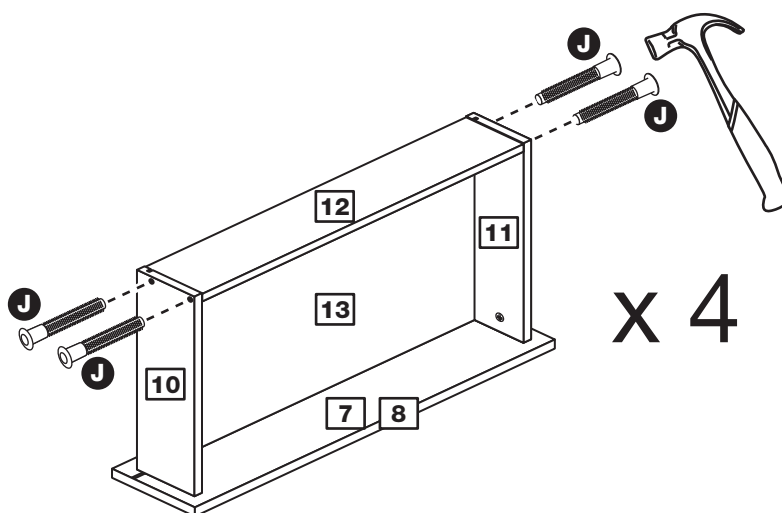
## Step 5

### Fit the drawer back

Fit the drawer back **12** between the drawer sides **10** and **11**.

Make sure that the drawer base **13** fits into the groove in the drawer back **12**.

Hold the drawer back **12** in position and tap the knock-in pegs **J** through the holes in the drawer sides **10** and **11**.



# Assembly Instructions

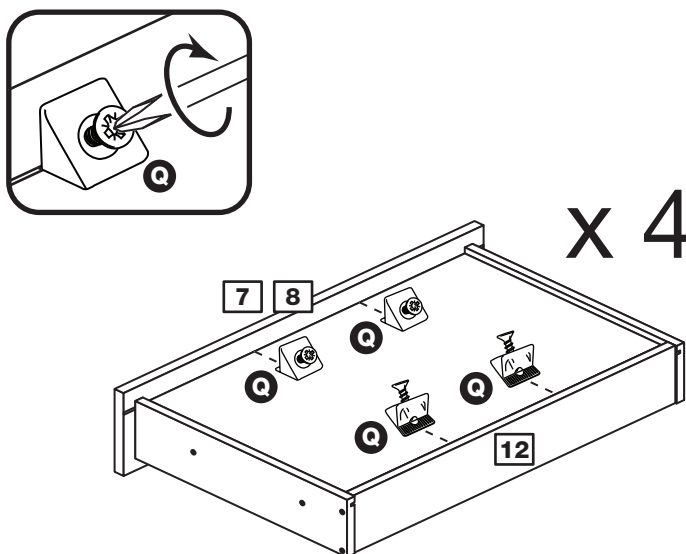
## Step 6

### Fit the wedgexes

Turn the drawer assemblies over.

On each of the drawer assemblies, slide 2 wedgexes **Q** into the small groove in the drawer front **7** or **8** and 2 into the small groove in the drawer back **11**, as shown.

Once the wedgexes are in place, tighten up their screws.



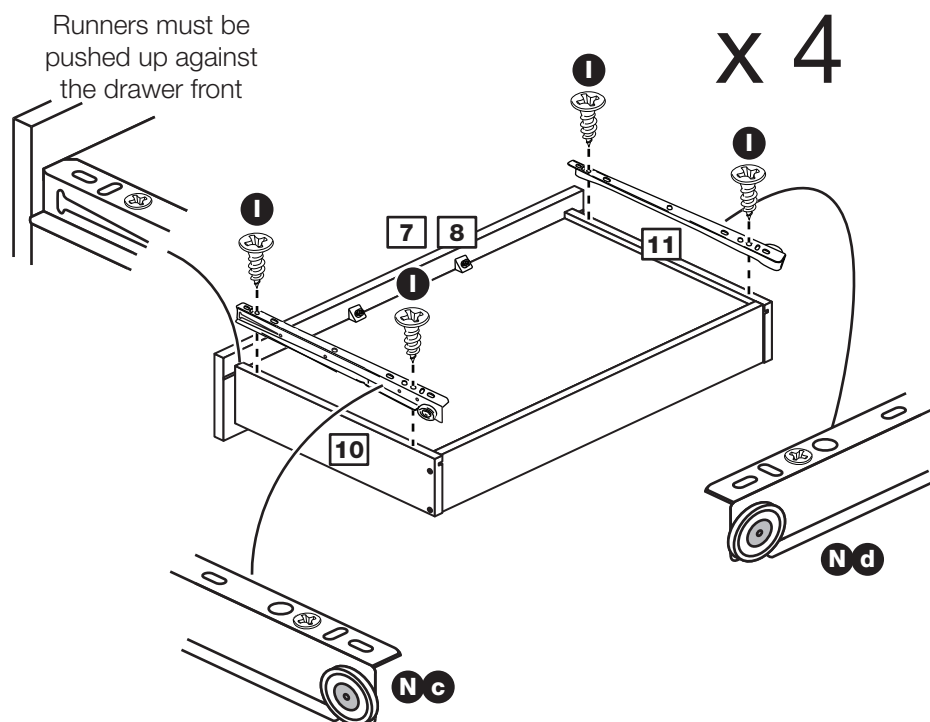
## Step 7

### Fit the runners to the drawers

Turn the drawer assemblies over.

Fit the runner **Nc** to the bottom edge of the left drawer side **10**, as shown, making sure that it is pushed up against the back of the drawer front **7** and **8**. Use a bradawl to mark the fixing positions, then secure with 2 screws **I**.

Fit the runner **Nd** to the bottom edge of the right drawer side **11** using the same method.



# Assembly Instructions

## Step 8

### Prepare the left upright

**a:** Tap a wooden dowel **A** into the left upright **3**.

**Note:** Wooden dowels **must not** stick out from the edge by more than 10mm or they may damage other panels.

Insert 2 large locking nuts **E** into the left upright **3**.

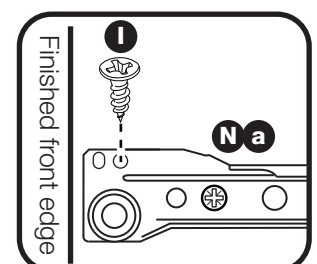
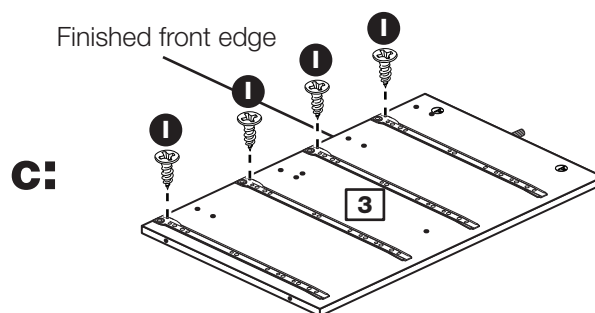
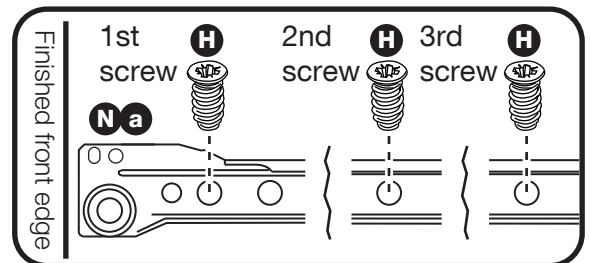
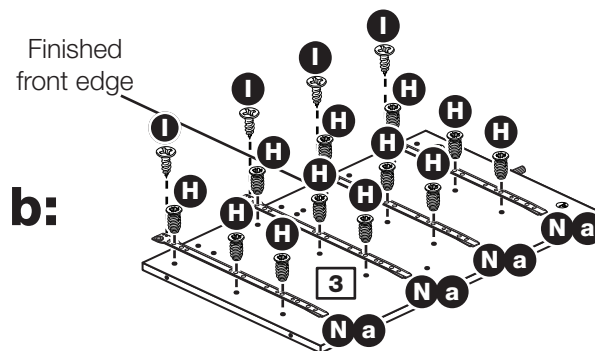
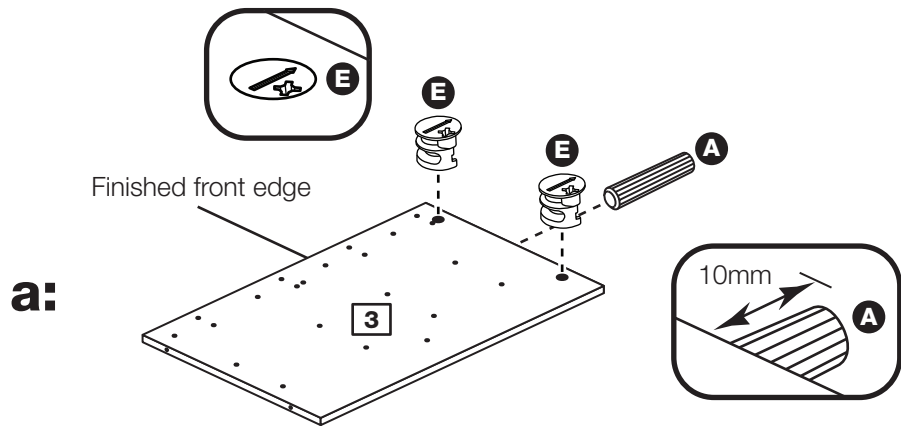
**Note:** The arrow on the locking nut **must** point towards the hole in the edge of the panel.

**b:** Fit 4 runners **Na** to the left upright **3**.

The 1st screw **H** uses the 2nd hole in from the front of the runner.

The 2nd and 3rd screws **H** use the holes that line up with the other panel holes.

**c:** Fit a screw **I** into the 2nd hole in at the top of the runner **Na**.



# Assembly Instructions

## Step 9

### Prepare the right upright

**a:** Tap a wooden dowel **A** into the right upright **4**.

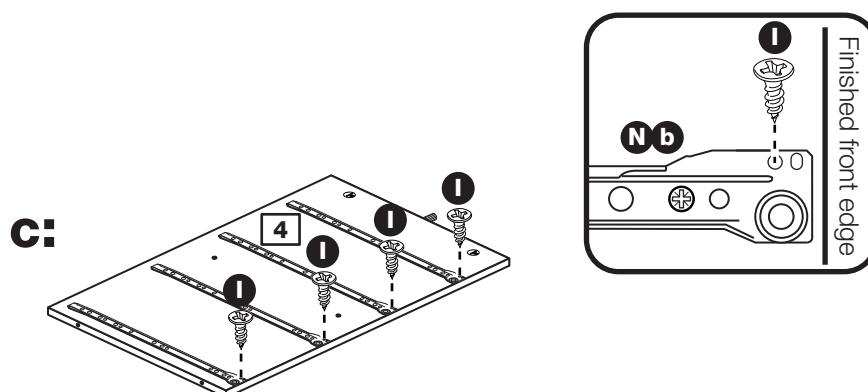
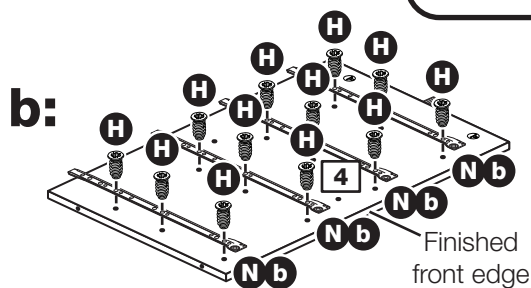
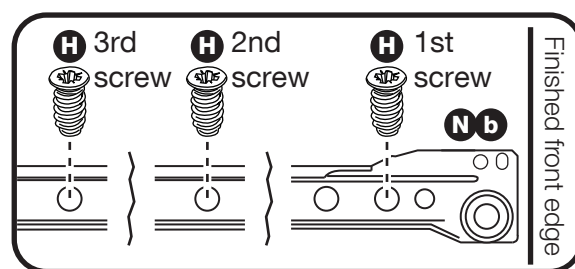
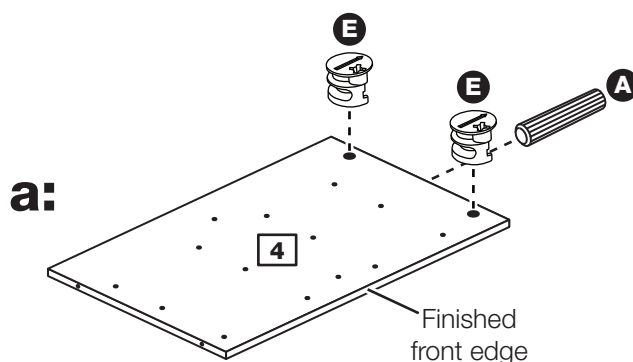
Insert 2 large locking nuts **E** into the right upright **4**.

**b:** Fit 4 runners **Nb** to the right upright **4**.

The 1st screw **H** uses the 2nd hole from the front of the runner.

The 2nd and 3rd screws **H** use the holes that line up with the other panel holes.

**c:** Fit a screw **I** into the 2nd hole in at the top of the runner **Nb**.



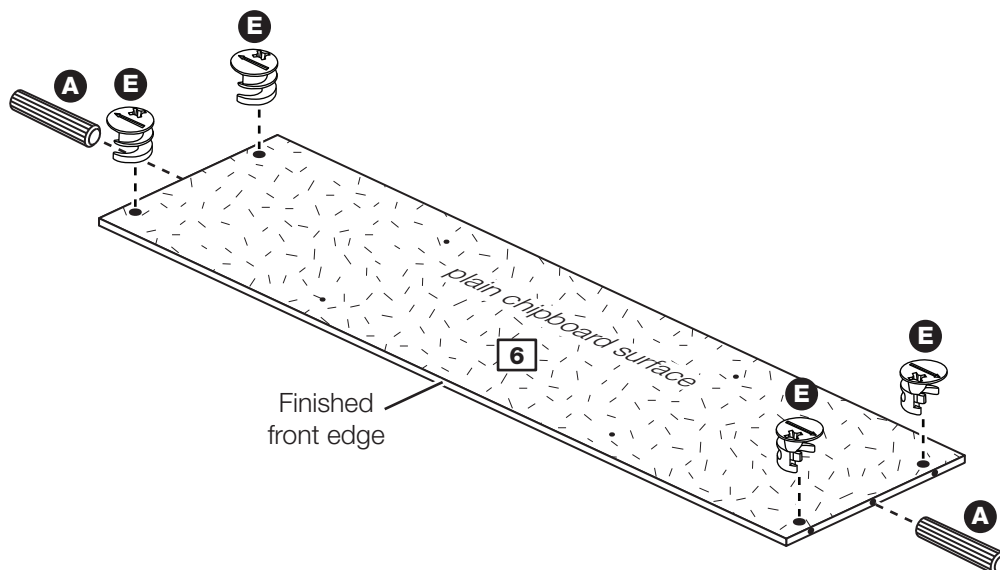
# Assembly Instructions

## Step 10

### Prepare the base

Tap 2 wooden dowels **A** into the base **6**.

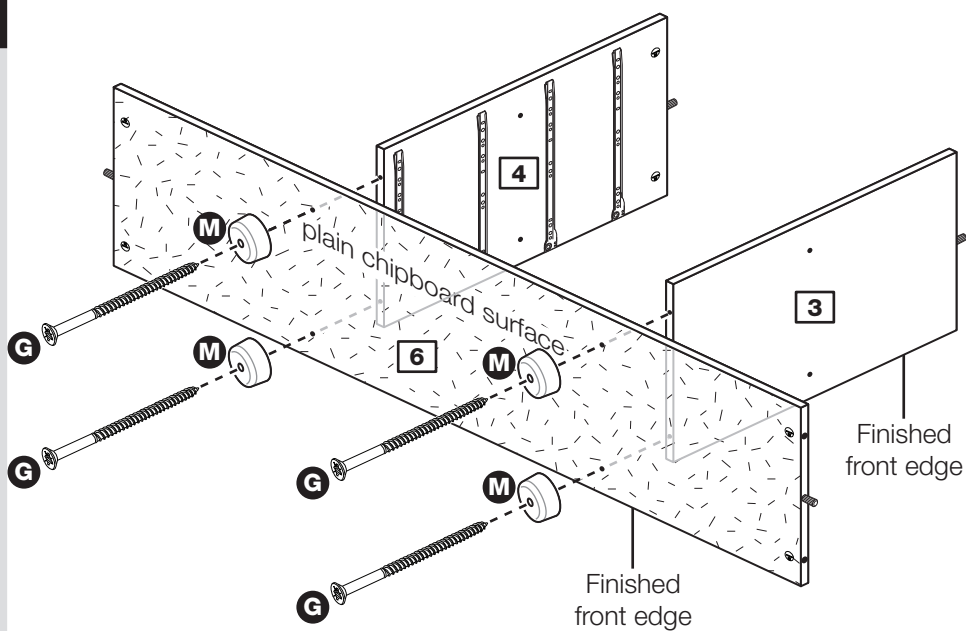
Insert 4 large locking nuts **E** into the base **6**.



## Step 11

### Fit the feet and uprights to the base

Screw the feet **M** onto the base **6** and on into the bottom edge of the left upright **3** and right upright **4** using screws **G**.



# Assembly Instructions

## Step 12

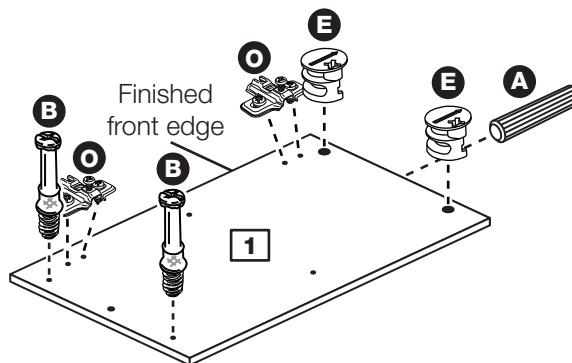
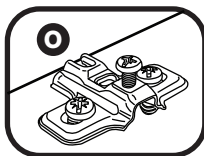
### Prepare the left side

Tap a wooden dowel **A** into the left side **1**.

Screw 2 metal dowels **B** into the left side **1**.

Insert 2 large locking nuts **E** into the left side **1**.

Fit 2 hinge plates **O** onto the left side **1**, making sure that the slot is facing towards the finished front edge.



## Step 13

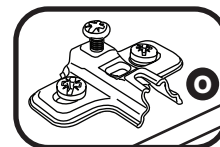
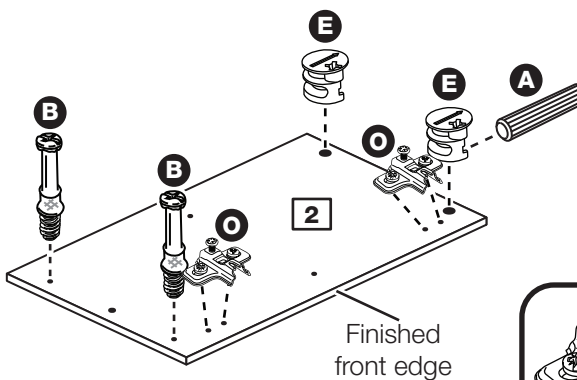
### Prepare the right side

Tap a wooden dowel **A** into the right side **2**.

Screw 2 metal dowels **B** into the right side **2**.

Insert 2 large locking nuts **E** into the right side **2**.

Fit 2 hinge plates **O** onto the right side **2**, making sure that the slot is facing towards the finished front edge.



# Assembly Instructions

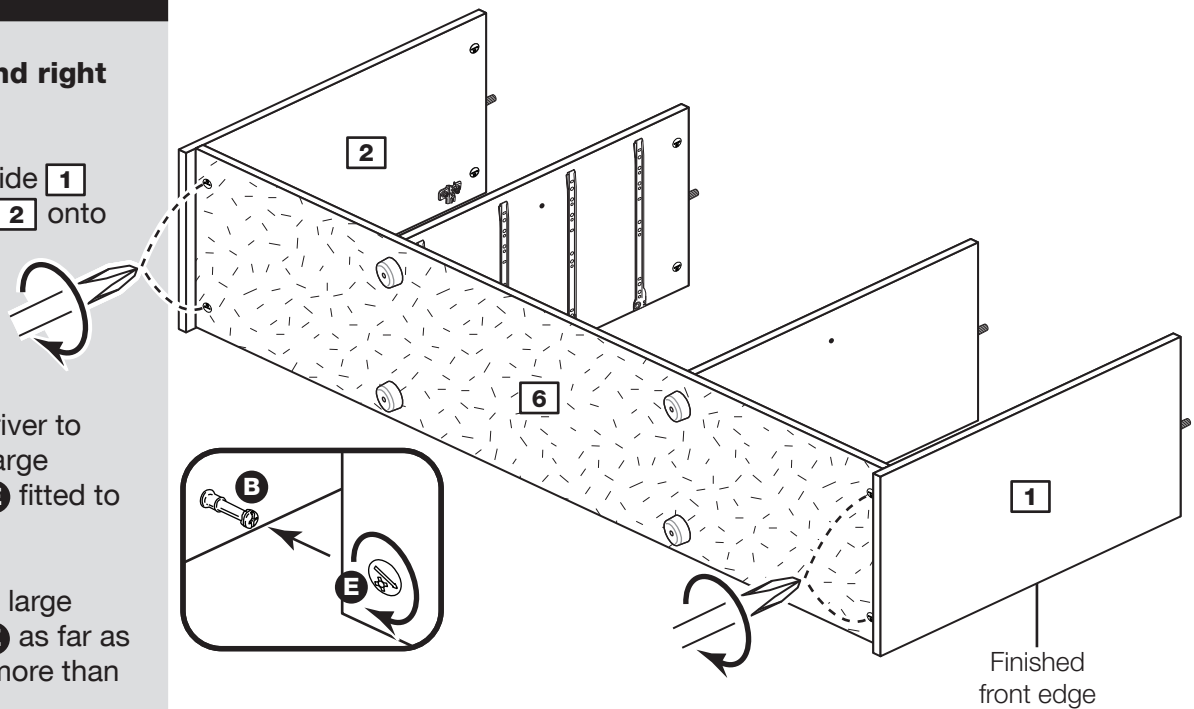
## Step 14

### Fit the left and right sides

Push the left side **1** and right side **2** onto the base **6**.

Use a screwdriver to tighten the 4 large locking nuts **E** fitted to the base **6**.

**Note:** Turn the large locking nuts **E** as far as they will go - more than 1/2 a turn.



## Step 15

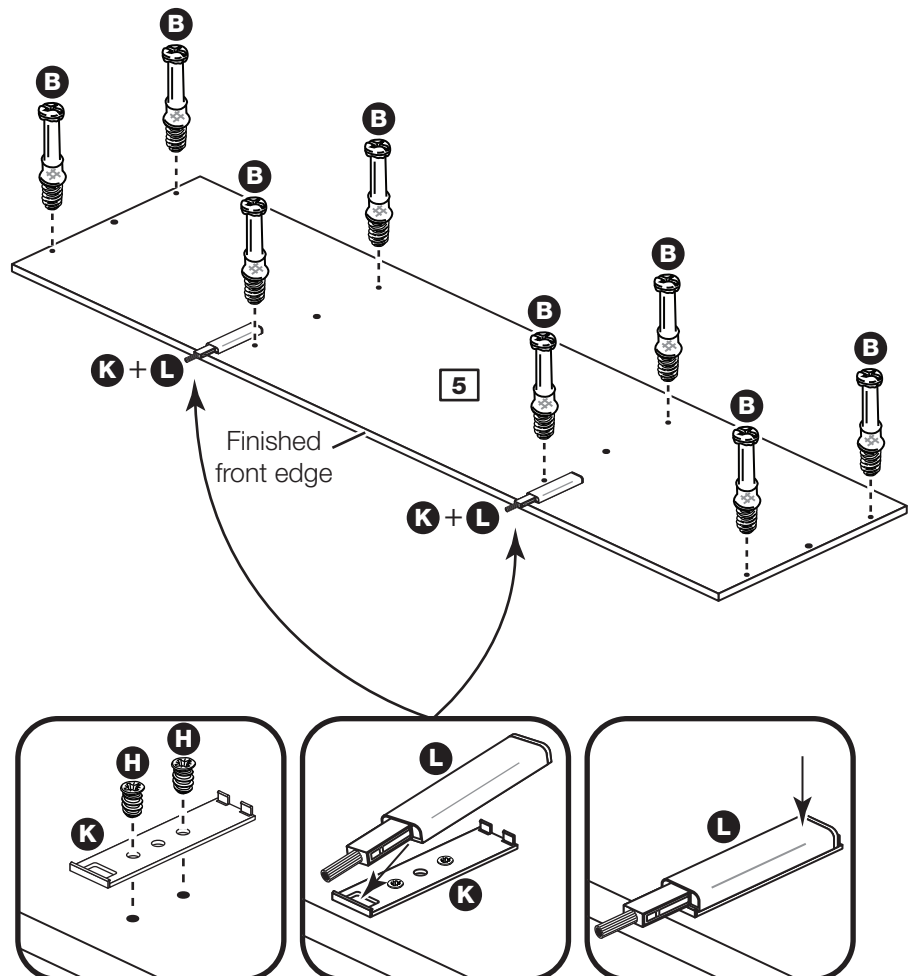
### Prepare the top

Screw 8 metal dowels **B** into the top **5**.

Fit 2 door plates **K** to the top **5** using screws **H**.

Press the door push **L** into the door plate **K**.

Press down the back of the door push **L** to click into place.





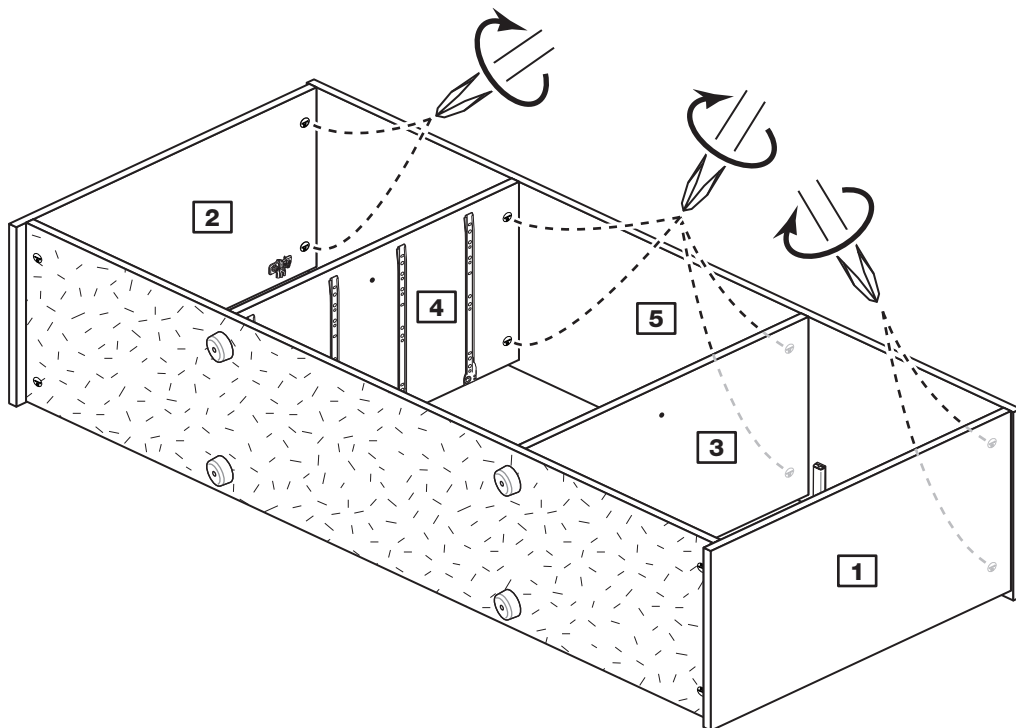
# Assembly Instructions

## Step 16

### Fit the top

Push the top **5** onto the assembly.

Use a screwdriver to tighten the 8 large locking nuts **E** fitted to the left side **1**, right side **2**, left upright **3** and right upright **4**.



## Step 17

### Fit the back

**a:** Square up the unit by making sure that measurement **x to x** equals **y to y**.

**b:** Place the back **15** onto the unit.

Nail **F** around the outside edges of the back **15**.

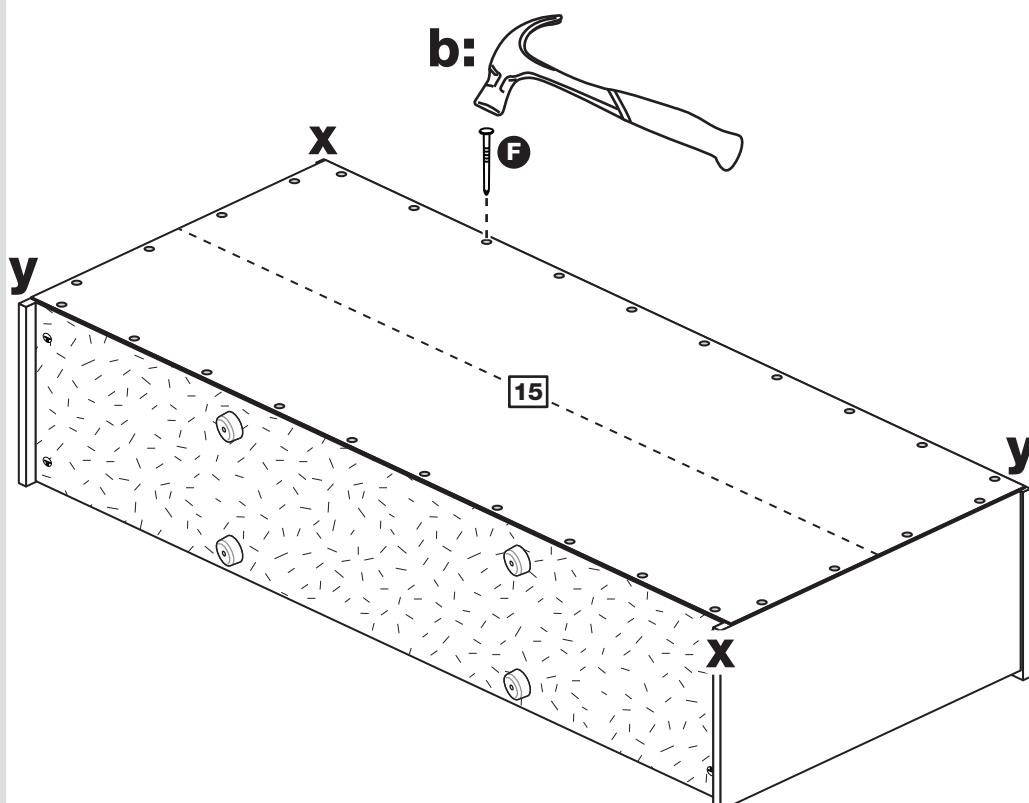
**Note:** Nails should be spaced about 150mm apart.

**Stand the unit up for the next step.**



**Warning:** The unit is heavy. Lift with care.

**a:** The measurement from top corner X to bottom corner X must be equal to the measurement from top corner Y to bottom corner Y



# Assembly Instructions

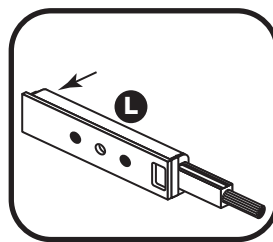
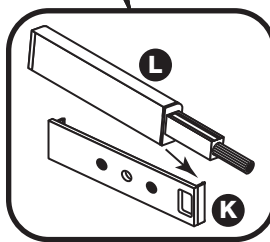
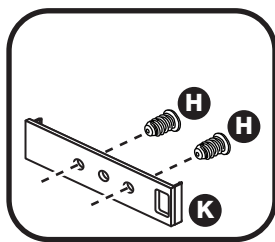
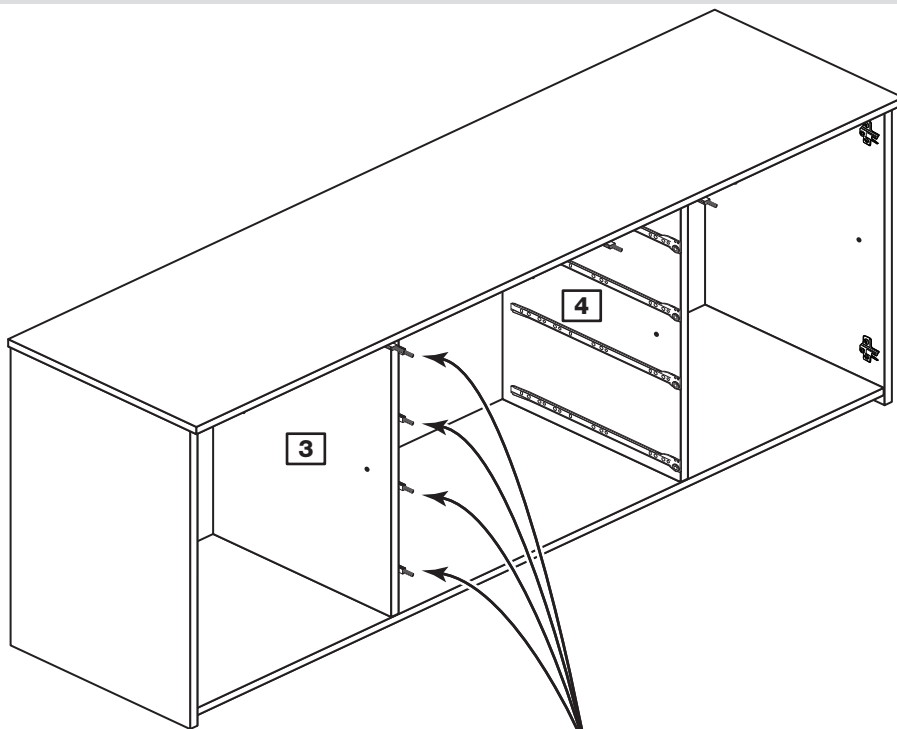
## Step 18

### Fit the door plates and door pushes to the left upright

Fit 4 door plates **K** to the left upright **3** using screws **H**.

Press the door push **L** into the door plate **K**.

Press the back of the door push **L** to click into place.

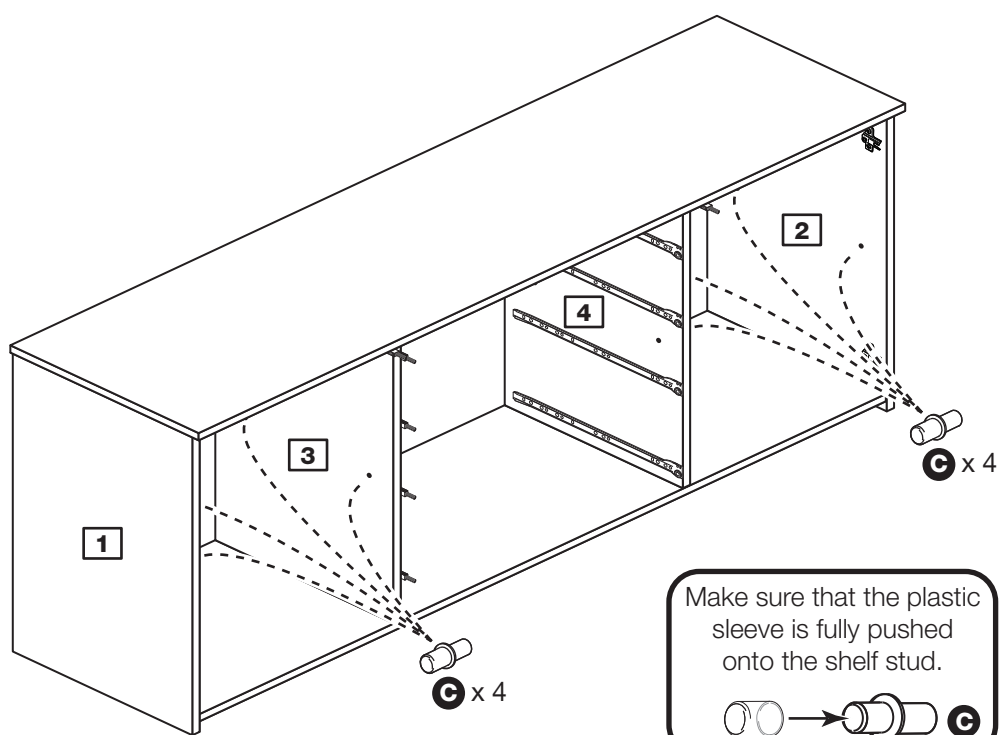


## Step 19

### Fit the shelf studs

Insert the 4 shelf studs **C** into the holes in the left side **1** and the left upright **3**.

Insert the 4 shelf studs **C** into the holes in the right side **2** and the right upright **4**.



Make sure that the plastic sleeve is fully pushed onto the shelf stud.

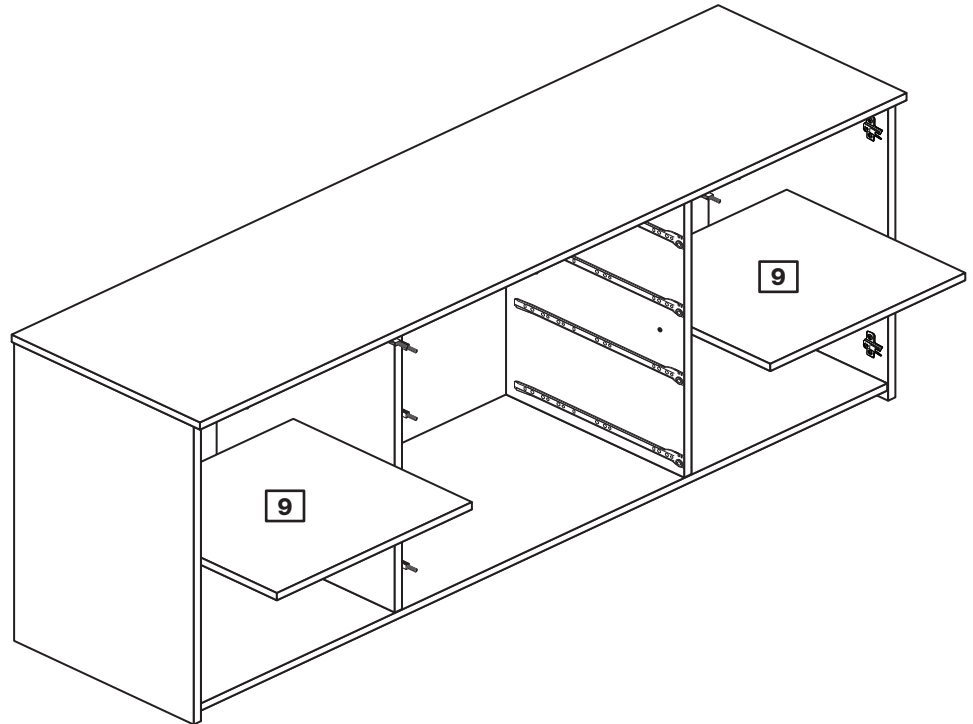


# Assembly Instructions

## Step 20

### Fit the shelves

Lower the 2 shelves **9** down onto the shelf studs **C**.



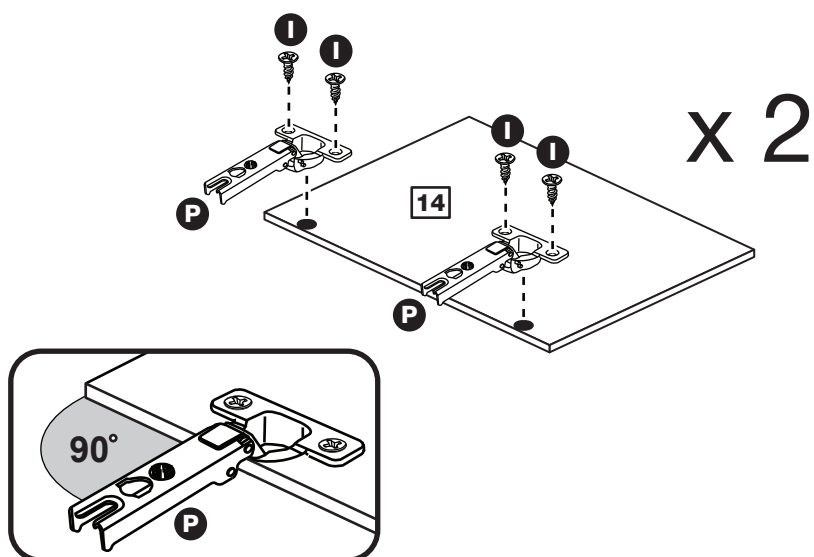
## Step 21

### Prepare the 2 doors

Push fit 2 hinges **P** into each of the doors **14**.

Secure each hinge with 2 screws **I**.

**Note:** Before securing with the screws, make sure that the hinges are positioned at 90 degrees with the edge of the door.



# Assembly Instructions

## Step 22

### Fit the 2 doors

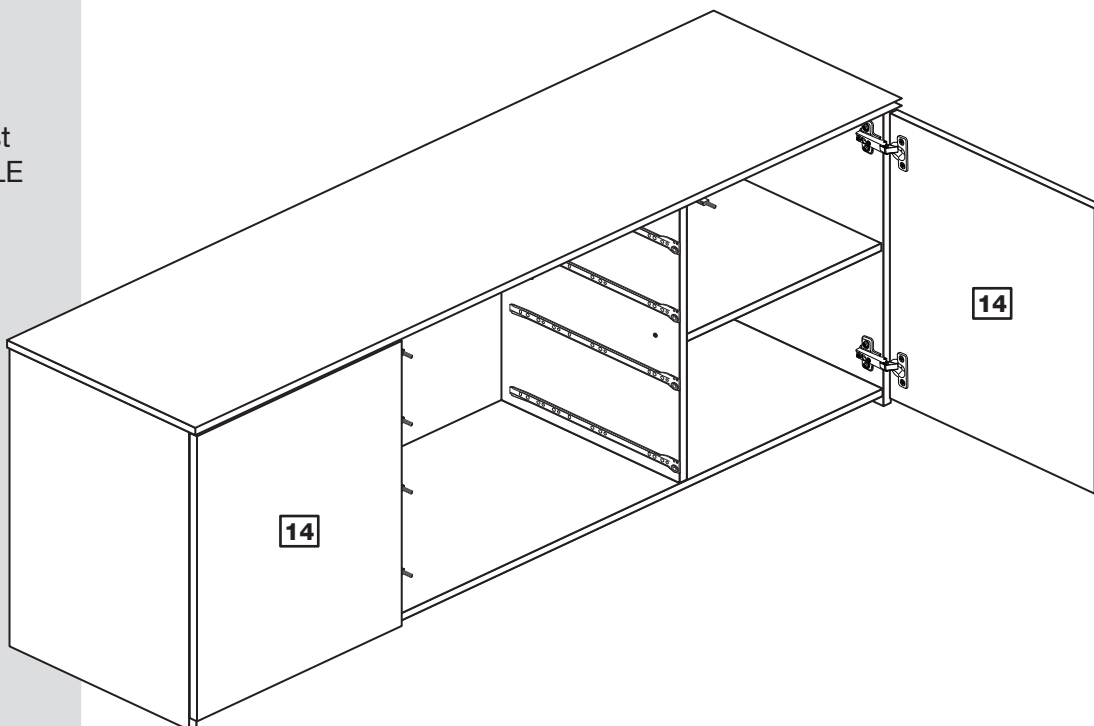
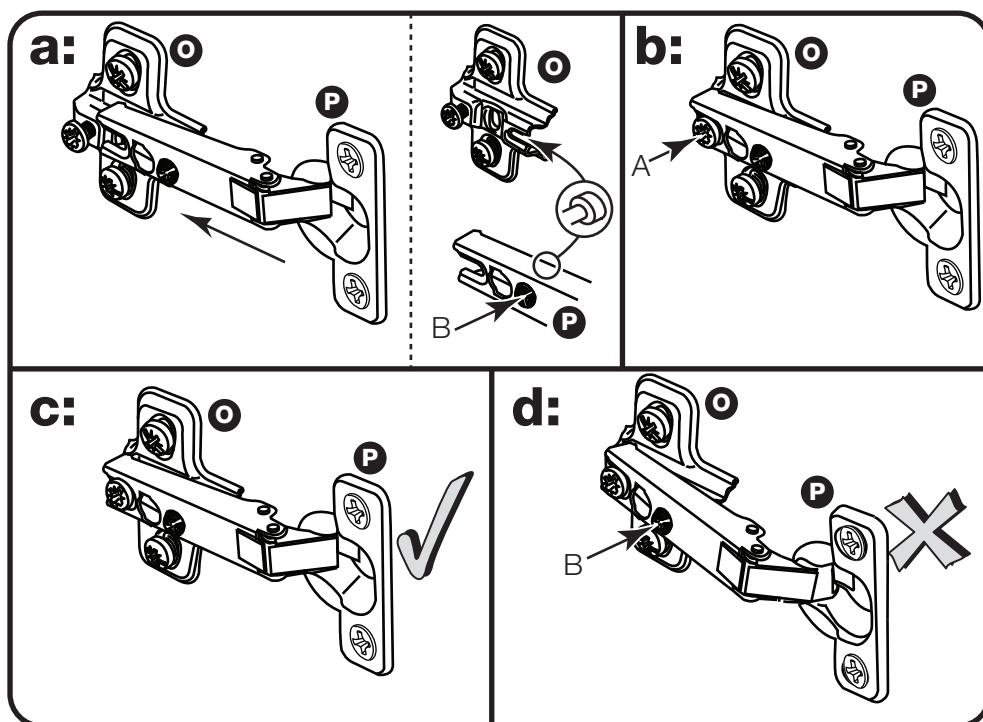
**Note:** The easiest way to attach each door **14** is to fit the top hinge first, then align and fit the other hinge.

**a:** Push the hinge **P** onto the front part of the hinge plate **O**. The recess at the bottom of screw B goes into the slot in the hinge plate.

**b:** Keep the hinge **P** FLAT against the hinge plate **O** as you slide it across as far as it will go. Tighten screw A.

**c:** The hinge **P** must be flat against the hinge plate **O** prior to any adjustment.

**d:** The hinge **P** must NOT be AT AN ANGLE to the hinge plate **O** when assembled. This would indicate that the recess at the bottom of screw B had not located in the slot in the hinge plate and the hinge would not be secure. Remove the hinge from the hinge plate and then re-assemble being careful to follow instructions a-c.



# Assembly Instructions

## Step 23

### Adjust the doors if needed

**a:** Before adjusting the doors, use a spirit level to check the top (or base) of the unit is level, front-to-back and side-to-side in the 3 positions shown.

Use suitable packing pieces (not supplied) to make the unit level BEFORE making any adjustment to the hinges, as shown.

### **b:** Height adjustment.

Loosen screws A on hinge plates and move door up or down as required.

Retighten screw A.

### **c:** Forward and Back adjustment.

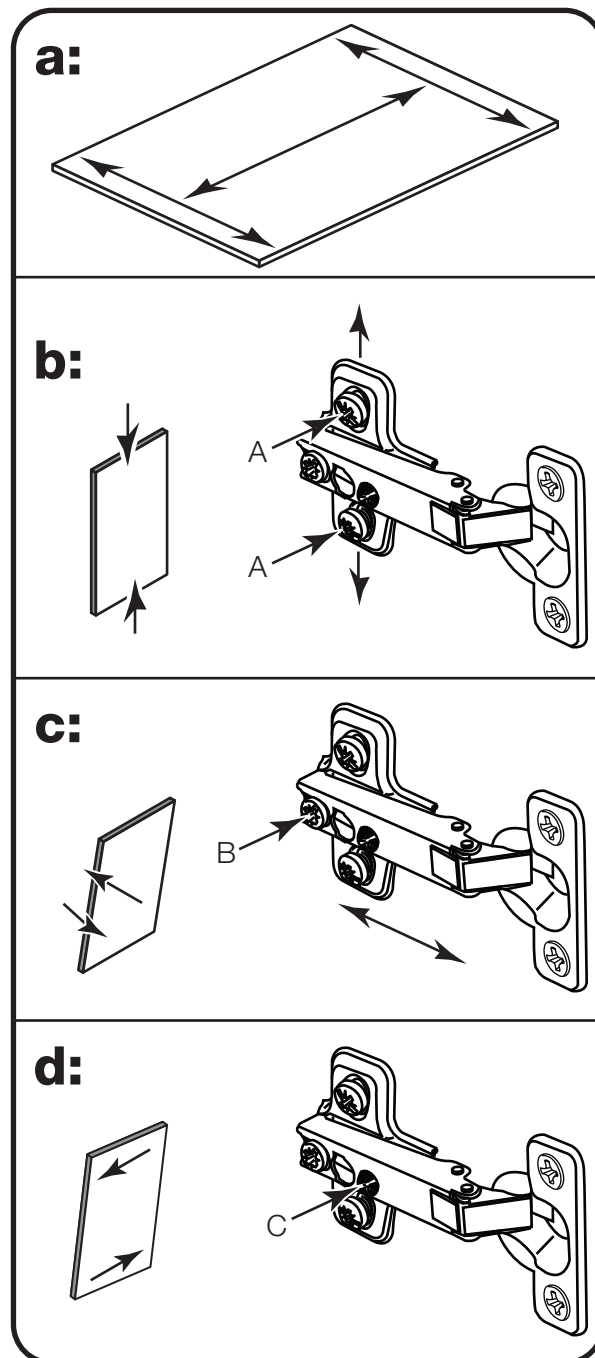
Loosen screw B on hinge plate and move door in or out as required.

Retighten screw B.

### **d:** Sideways adjustment.

To move door 'out' loosen screw C.

To move door 'in' tighten



# Assembly Instructions

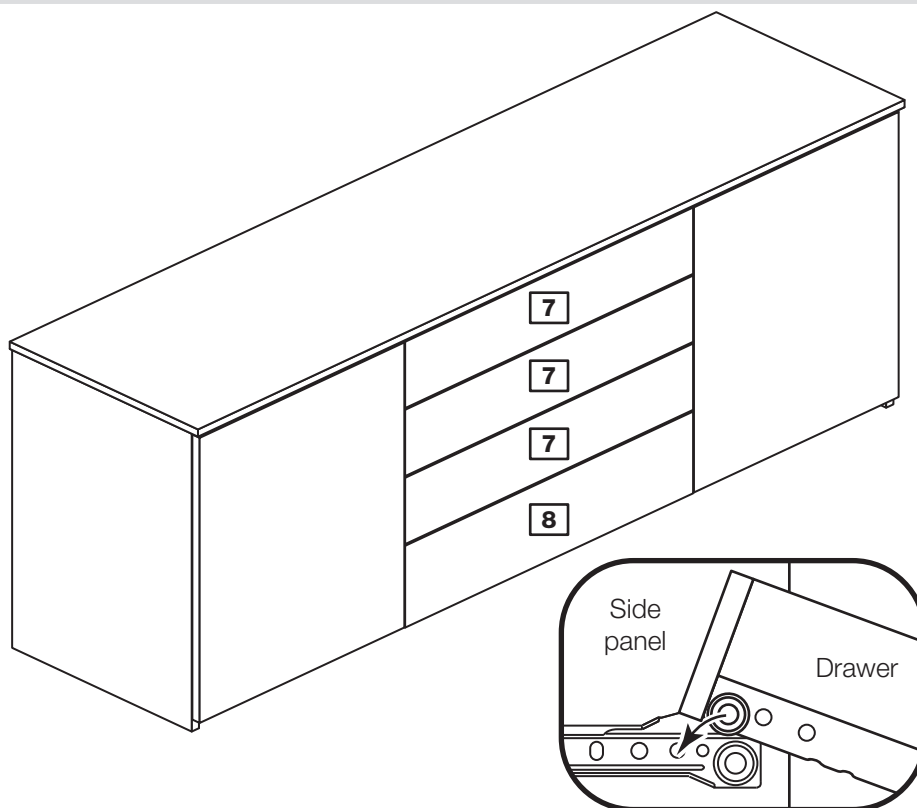
## Step 24

### Fit the drawers

Slide the wheels of the runners fitted to the drawers, over the wheels of the runners fitted to the side panels and push the drawers into position.

**Note:** The large drawer front goes at the bottom.

**Assembly is complete**



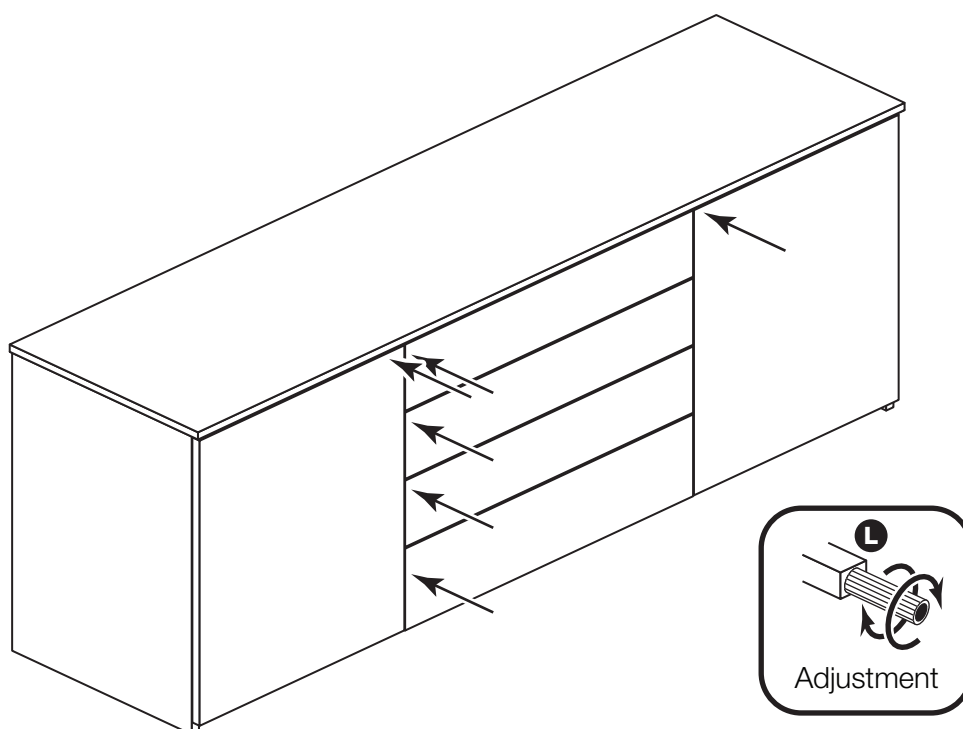
**Note:** Now the assembly has finished you can remove any protective film from the panels.

## Step 25

### Opening the doors and drawers

To open and close the doors and drawers, press them where the door pushes are located.

You can adjust each door push, in or out, by turning it clockwise or anti-clockwise to suit your requirements.



If you need help or have damaged or missing parts, call the Customer Helpline: 03456 400800 and quote the reference numbers on the component pages.

Argos Ltd, 489-499 Avebury Boulevard, Central Milton Keynes, MK9 2NW



