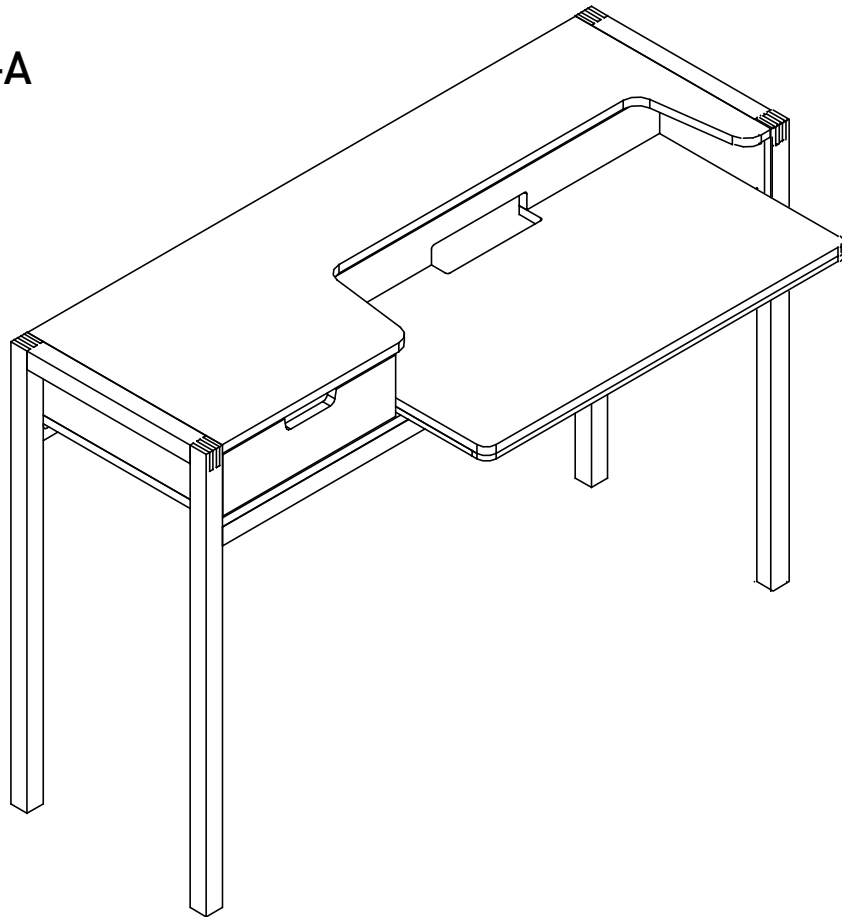


Quint
Quint Laptop Desk

habitat 

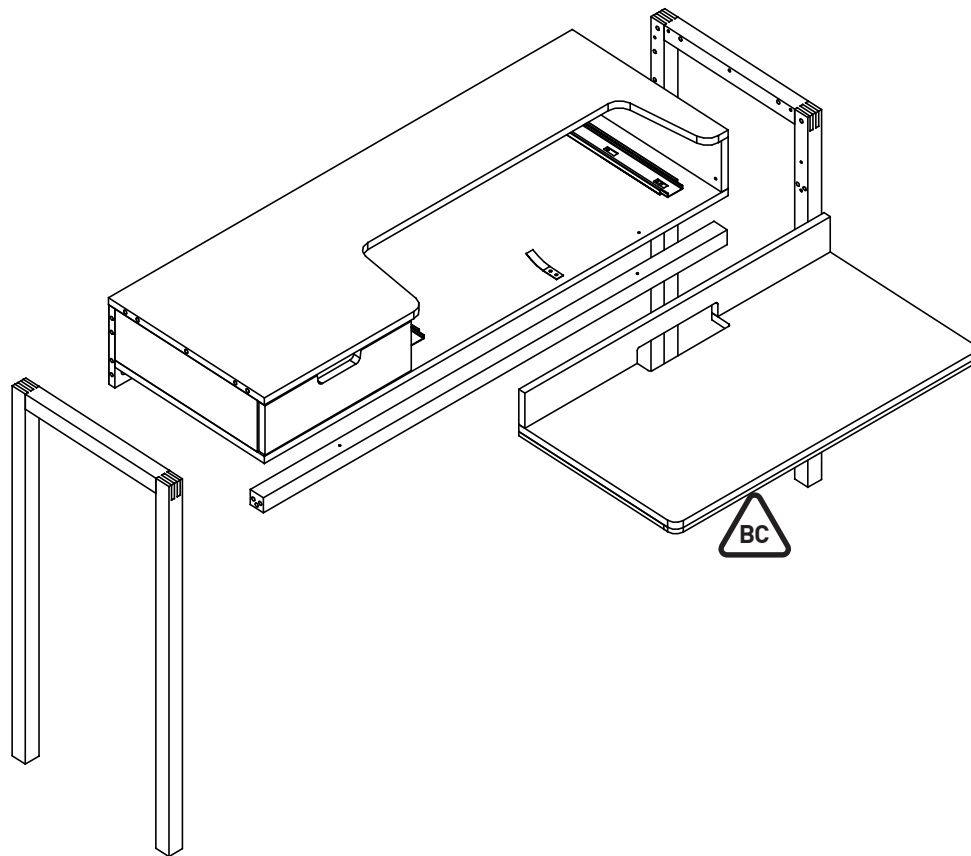
204215
QUIN-1D-S13-A



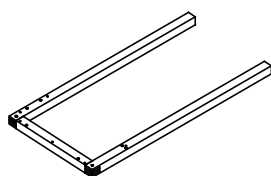
habitat 

Components

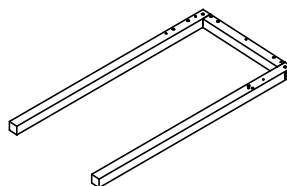
Please check you have all the parts listed below



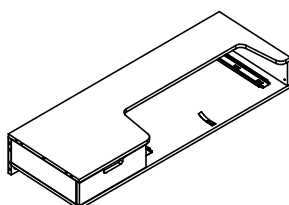
1 Leg Frame Left



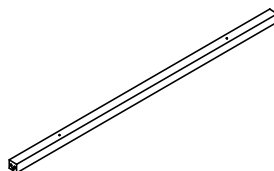
2 Leg Frame Right



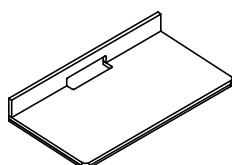
3 Body



4 Crossbar



5 Worktop

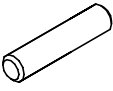
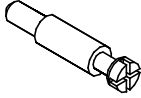

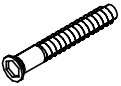

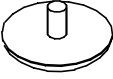
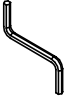
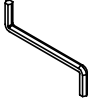



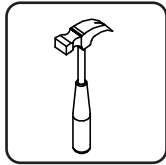
Retain batch code label

Components -Fittings

Please check you have all the fittings listed below

<p>A</p> <p>Wooden dowel x12</p> 	<p>B</p> <p>Cam bolt x12</p> 	<p>C</p> <p>Cam lock x2</p> 
<p>D</p> <p>Screws x3</p> 	<p>E</p> <p>Screws caps x1</p> 	<p>F</p> <p>Connectors caps x2</p> 
<p>G</p> <p>Hex key x1 (3mm)</p> 	<p>H</p> <p>Hex key x1 (4mm)</p> 	<p>I</p> <p>Wall strap x1</p> 

Tools required



IMPORTANT - PLEASE READ THESE INSTRUCTIONS FULLY BEFORE STARTING ASSEMBLY

Before assembling the furniture please identify all component parts.
 Keep children and animals away from the work area, small parts could choke if swallowed.
 Assemble the item as close to its final position (in the same room) as possible.
 Make sure you have enough space to layout the parts before starting.
 Assemble on a soft level surface to avoid damaging the unit or your floor.
 We do not recommend the use of power drill/drivers for inserting screws, as this could damage the unit. Only use hand screwdrivers.

Dispose of all packaging carefully and responsibly.

Assembly Instructions

Please keep safe for future reference

Step 1

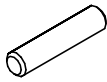
a: Insert wooden dowels

(A) into Crossbar (4)

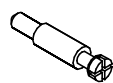
b: Push cam locks (C)
into Crossbar (4)

c: Screw cam bolts (B)
into Leg Frames (1) (2)

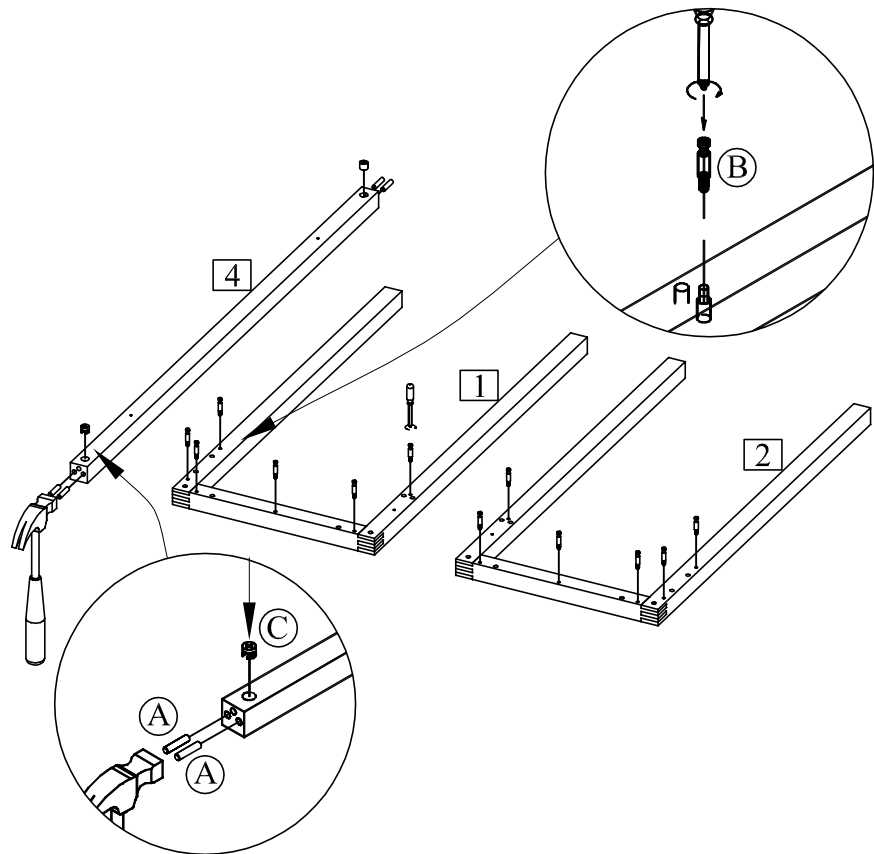
(A) x4



(B) x12



(C) x2



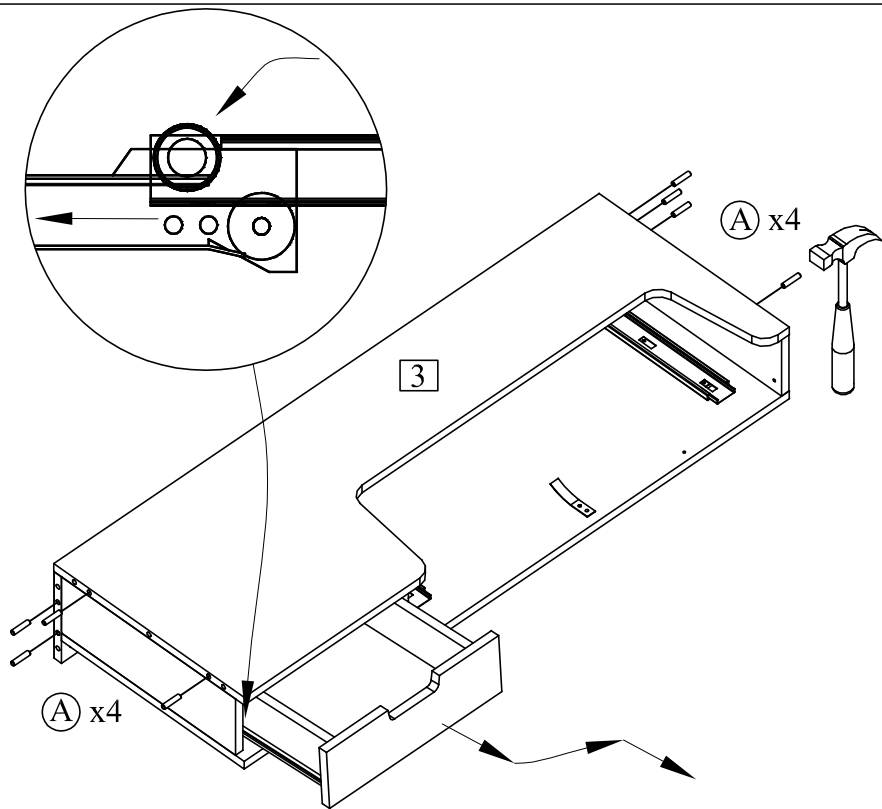
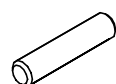
Step 2

a: Insert wooden dowels

(A) into Body (3)

b: Take the drawer out.
To do that pull it out
and lift it off the rails.

(A) x8

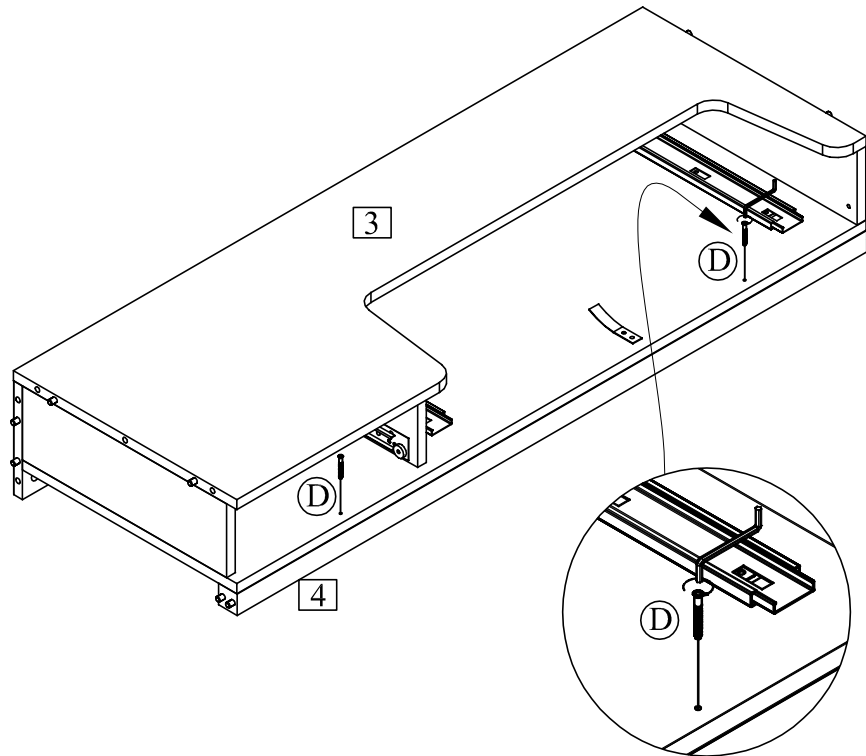


Assembly Instructions

Step 3

a: Attach Body **3** to Crossbar **4** with screws **D**. To do this, use hex key **G**.

b: Turn the table gently onto the backside.



D x2

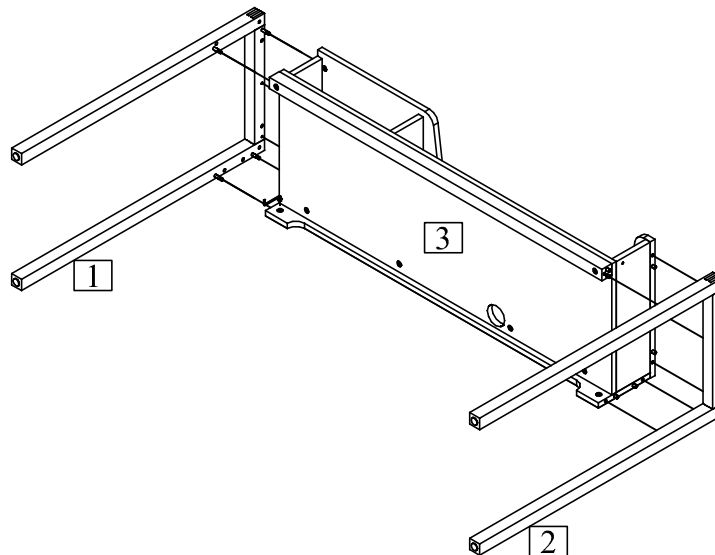


G



Step 4

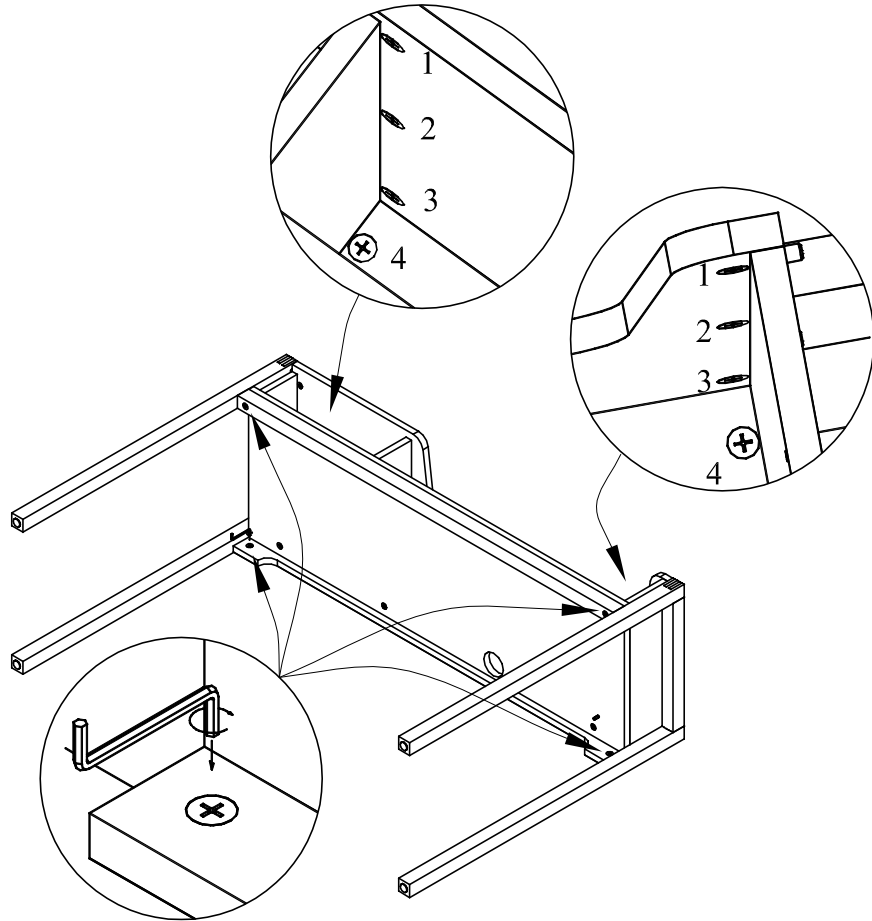
a: Attach Body and Legs frames.



Assembly Instructions

Step 5

a: Tighten cam locks **C**
(12 pieces) as shown
using hex key **H**



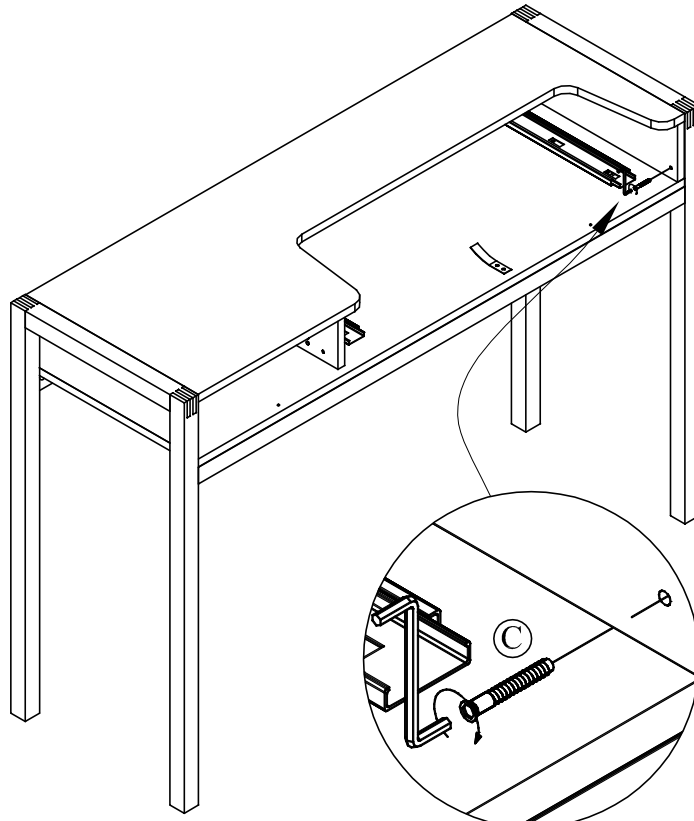
H



Step 6

a: Gently lift the table
on its legs.

b: Use the hex key **G**
to attach screw **D**
to the right side of
the table.



D x1



G

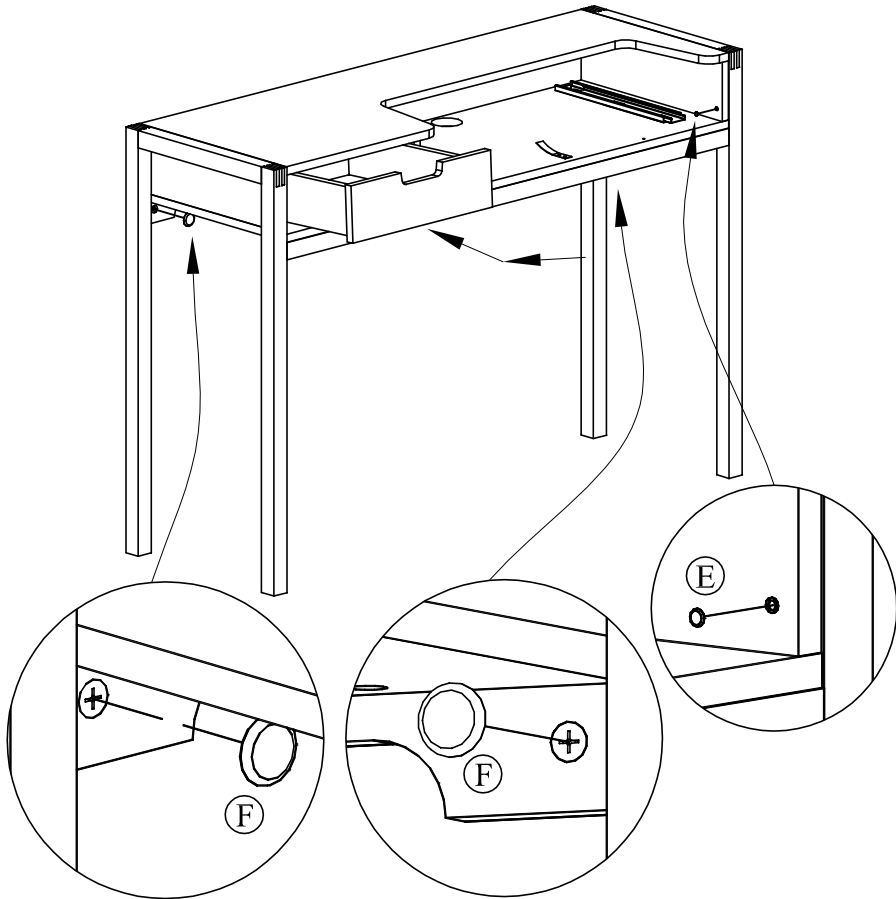


Assembly Instructions

Step 7

a: Attach Caps **E**, **F** on the screws and cam locks.

b: Put the drawer back on the rails and close it.



E x1

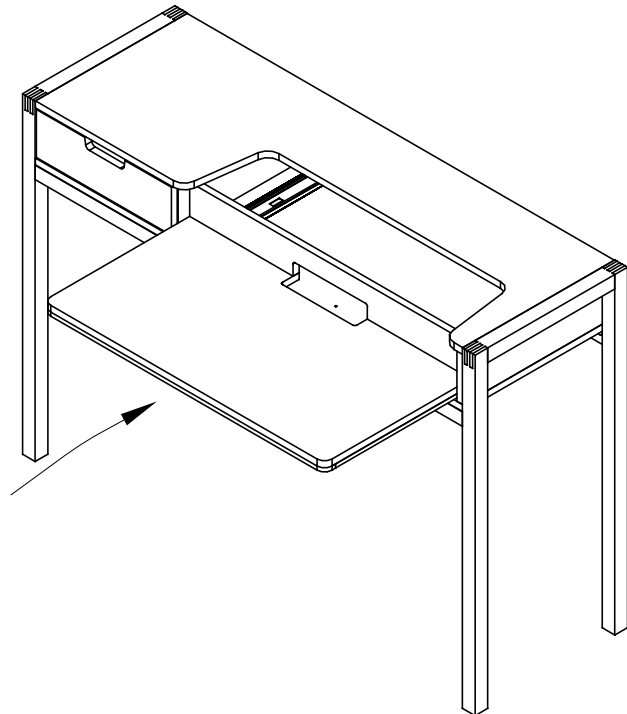


F x2



Step 8

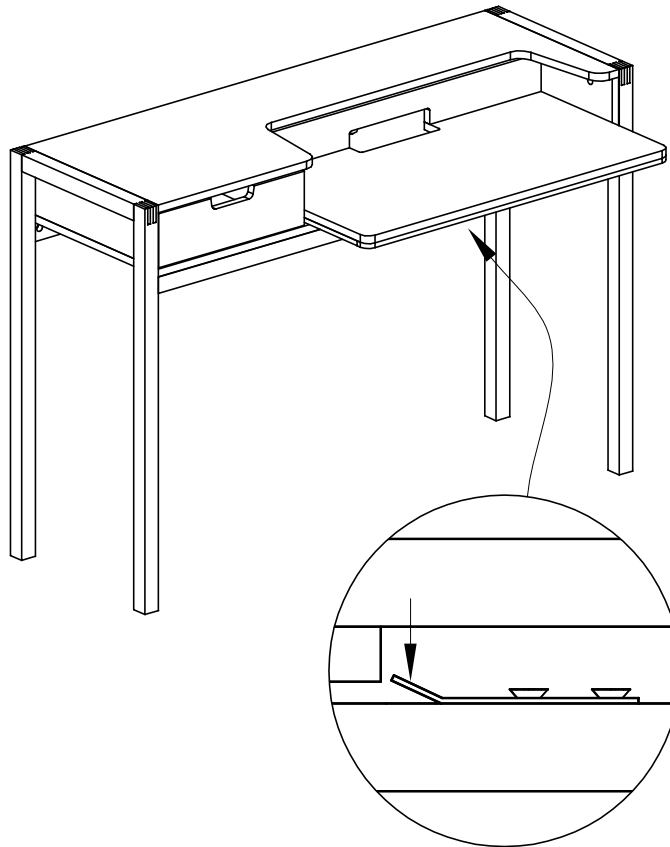
a: Align worktop **5** with runners on body **3** and close .



Maintenance- To remove the Worktop

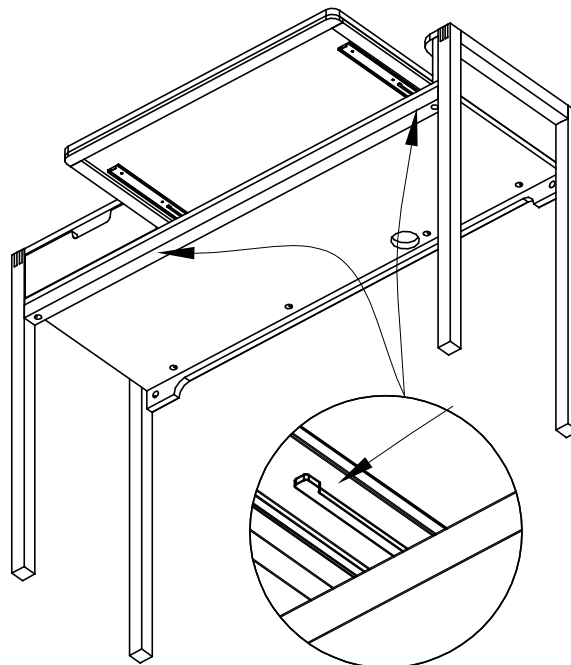
Step 1

a: Push spring clip down with suitable flat tools eg. ruler.



Step 2

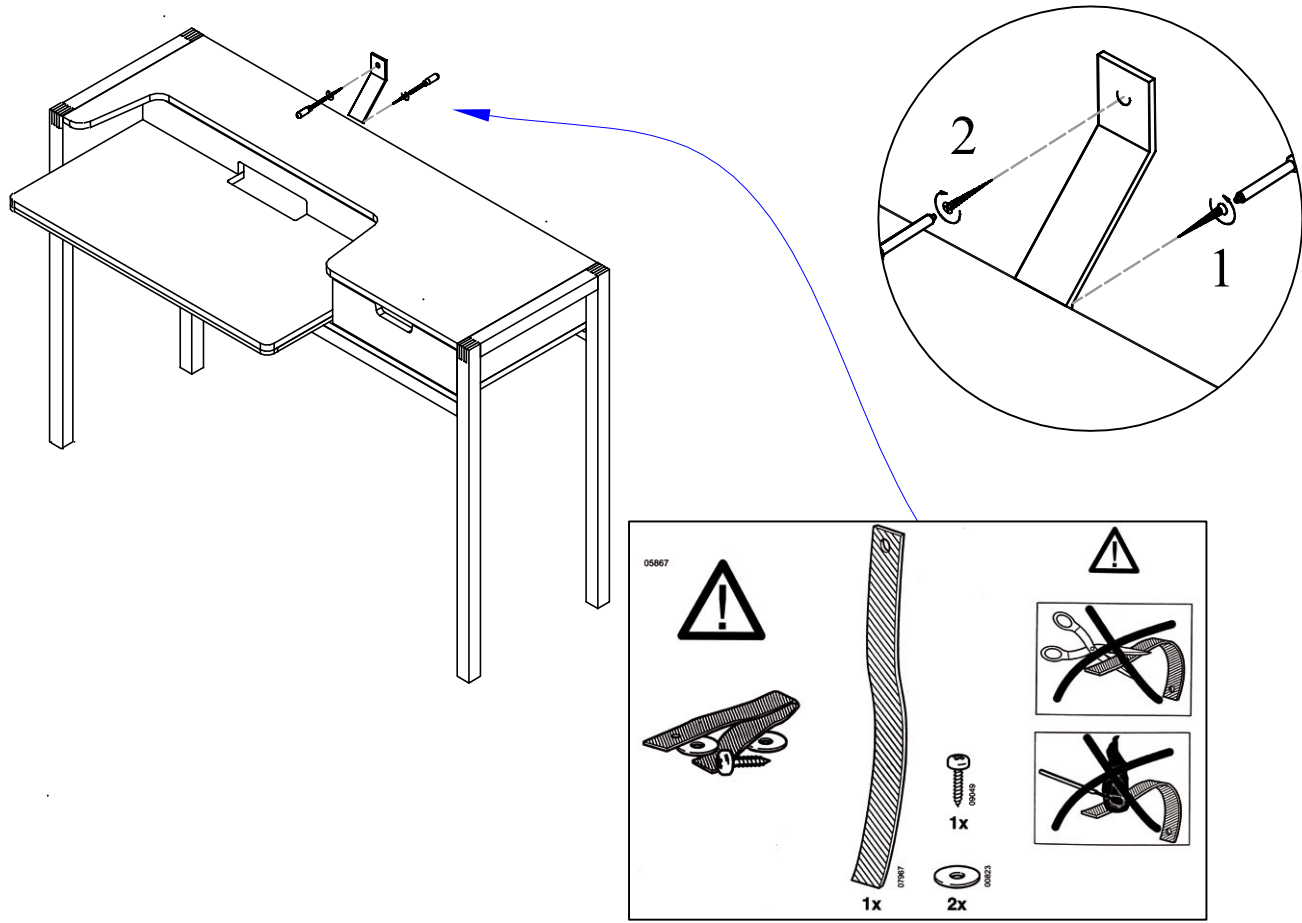
a: Pull out the worktop until the end, push 2 black nobs to the side and pull it out.



Step 3

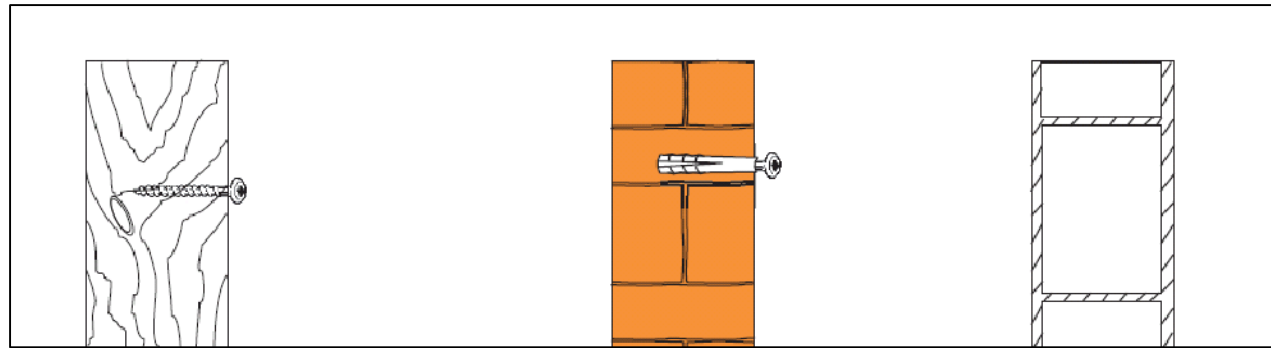
a: Refit the worktop as per step 8.

It is recommended that the product is fitted with the anti-topple wall strap provided.



Warning!

The wall fixings are not supplied with this product. For fixing please seek the advice of a professional builder. Before you drill, check to ensure there are no hidden pipes or service cables in the wall.



Wood
If fixing to wood make sure that it isn't chipboard as screws can easily pull away from the core structure

Brick or Masonry
Use an appropriate wall plug provided you are sure your wall is sound

Cavity wall
Special toggle wall plugs are needed. Seek expert advice

Care instructions

Regular dusting with a dry cloth will keep your units clear.

Clean marks with a damp cloth.

Do not allow spillages to stay on the surface for long.

Do not use abrasive cleaners.

Do not clean with products containing the following:

Acetone, (e.g. nail varnish remover).

Ammonia (e.g. bleach). or Sodium hydroxide (e.g. Caustic soda, drain and oven cleaners).

Use place mats to protect the surface from moisture and heat.

If for any reason you should have problems with your Habitat product, please contact the store from which you purchased it.

Please retain your receipt as proof of purchase.

If you have any comments or suggestions regarding this product, assembly instructions or service, please contact the store or

Habitat Head Office via its web site:

www.habitat.co.uk

or write directly to:

**Habitat Retail Ltd.
489-499 Avebury Boulevard,
Milton Keynes MK9 2NW**