

Nordic - 6x6 Drawer Chest

Assembly Instructions - Please keep for future reference

1709441



Dimensions

Width : 123.3 cm

Depth : 39,7 cm

Height : 104,2 cm

Important - Please read these instructions fully before starting assembly

If you need help or have damaged or missing parts, call the Customer Helpline: 0845 640 30 30



Safety and Care Advice

Important - Please read these instructions fully before starting assembly

- Check you have all the components and tools listed on pages 3 and 4.
- Remove all fittings from the plastic bags and separate them into their groups.
- Keep children and animals away from the work area, small parts could choke if swallowed.
- Make sure you have enough space to layout the parts before starting.

- Do not stand or put weight on the product, this could cause damage.
- Assemble the item as close to its final position (in the same room) as possible.
- Assemble on a soft level surface to avoid damaging the unit or your floor.
- Parts of the assembly will be easier with 2 people.



- We do not recommend the use of power drill/drivers **for inserting screws**, as this could damage the unit. Only use hand screwdrivers.
- Dispose of all packaging carefully and responsibly.

Care and maintenance

- Only clean using a damp cloth and mild detergent, do not use bleach or abrasive cleaners.
- From time to time check that there are no loose screws on this unit.
- This product should not be discarded with household waste. Take to your local authority waste disposal centre.

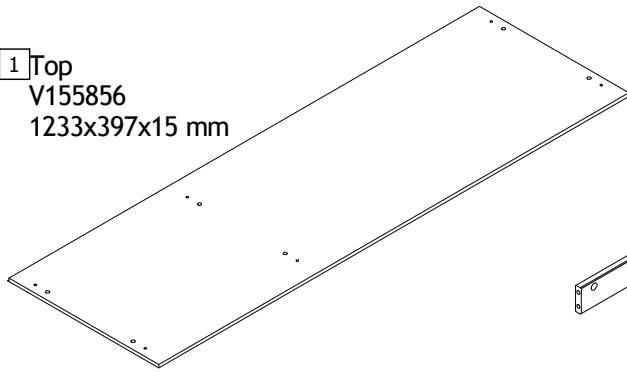
Note: if required the next page can be cut out and used as reference throughout the assembly. Keep this page with these instructions for future reference.

Components - Panels

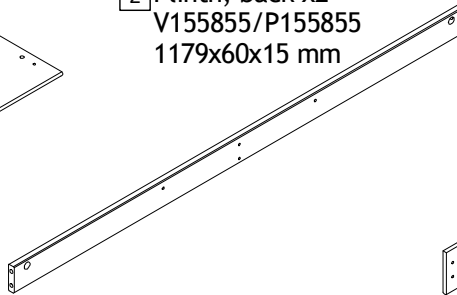
If you have damaged or missing components, call the **Argos Customer Helpline: 0845 640 30 30**

Please check you have all the panels listed below

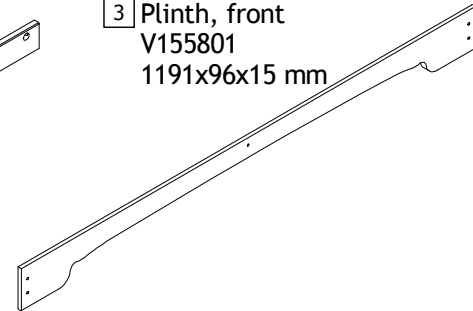
1 Top
V155856
1233x397x15 mm



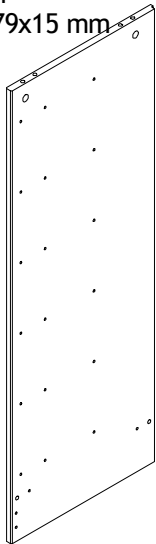
2 Plinth, back x2
V155855/P155855
1179x60x15 mm



3 Plinth, front
V155801
1191x96x15 mm



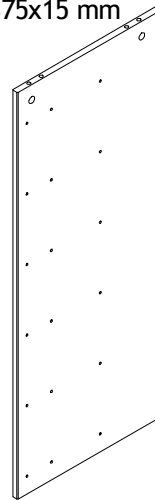
5 Side, left
V155834
1027x379x15 mm



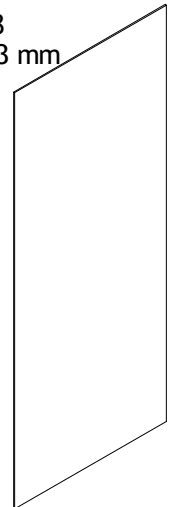
4 Side, right
V155833
1027x379x15 mm



6 Divider
V155832
922x375x15 mm



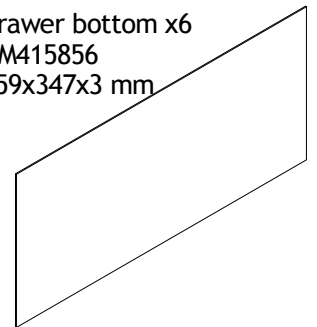
7 Back x3
NM415858
944x397x3 mm



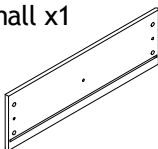
12 Foot
P500004
90x50x50 mm



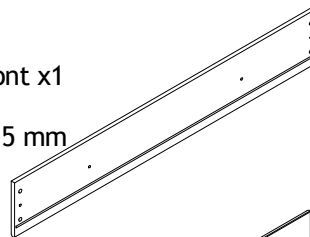
17 Drawer bottom x6
NM415856
759x347x3 mm



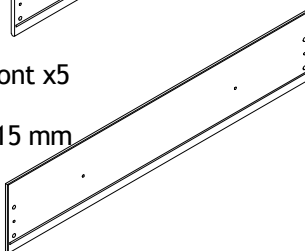
8 Drawer front, small x1
V155810
395x125x15 mm



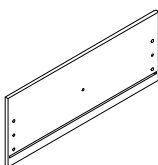
9 Drawer front x1
V155813
793x125x15 mm



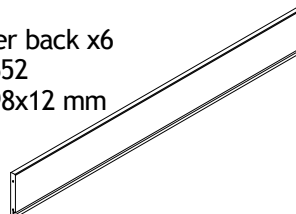
11 Drawer front x5
V155814
793x157x15 mm



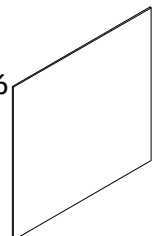
10 Drawer front x5
V155811
395x157x15 mm



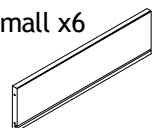
15 Drawer back x6
S120652
749x98x12 mm



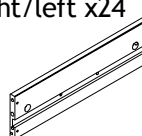
16 Drawer bottom x6
NM415850
361x347x3 mm



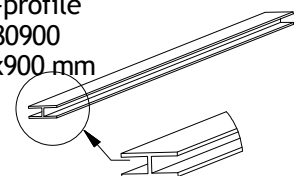
14 Drawer back, small x6
S120650
351x98x12 mm



13 Drawer side, right/left x24
S120653
350x98x12 mm



18 H-profile
B80900
4x900 mm

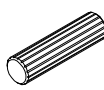
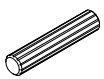
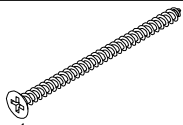


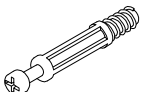
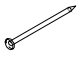
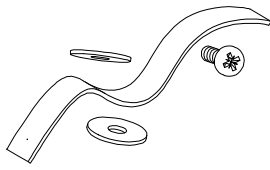
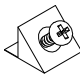
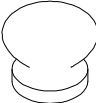



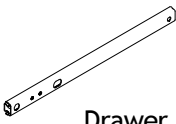

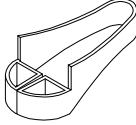
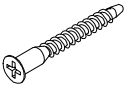


Components - Fittings

If you have damaged or missing components, call the **Argos Customer Helpline: 0845 640 30 30**

Please check you have all the panels listed below

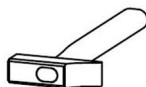
Note: The quantities below are the correct amount to complete the assembly. In some cases more fittings may be supplied than are required.

<p>A</p>  <p>BA10390 ø8x30 mm Wooden dowel x10</p>	<p>B</p>  <p>BA10400 ø6x30 mm Wooden dowel x48</p>	<p>O</p>  <p>BA10137 ø4,0x60 mm x1</p>
<p>R</p>  <p>BA10170 ø4,0x35 mm x66</p>	<p>C</p>  <p>BA10590 ø15x9,5 mm Cam x34</p>	<p>D</p>  <p>BA10603 ø5/11x34 mm Bolt x34</p>
<p>i</p>  <p>BA10025 ø1,2x20 mm Nail x75</p>	<p>J</p>  <p>BA182002 Wallstrap and instruction x1</p>	<p>F</p>  <p>BA10833 Back fitting W. 15x15x10 mm screw x24</p>
<p>G</p>  <p>BA10468 ø40x30 mm Wooden knob x18</p>		<p>H</p>  <p>BA10191 M4x9 mm screw x24</p>
<p>K</p>  <p>BA10270 ø5,8x8 mm screw x72</p>	<p>E</p>  <p>BA10240 ø6,1x11,5 mm screw x10</p>	<p>S</p>  <p>B14359 17x246 mm Drawer runner x24</p>
<p>V</p>  <p>BA10801 Angle20x20x2 x5</p>	<p>Yd</p>  <p>Ba10688 Nail holder x1</p>	<p>U</p>  <p>BA103062 ø5x40 mm x2</p>

Tools required



Flatblade screwdriver
(Medium)



Hammer



Phillips screwdriver
(Medium & large)

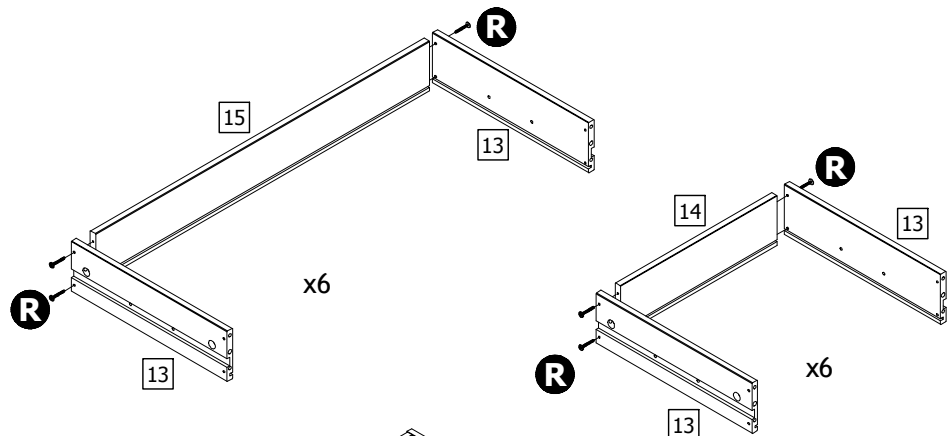
Ruler - Use this ruler to help correctly identify the screws



Assembly Instructions

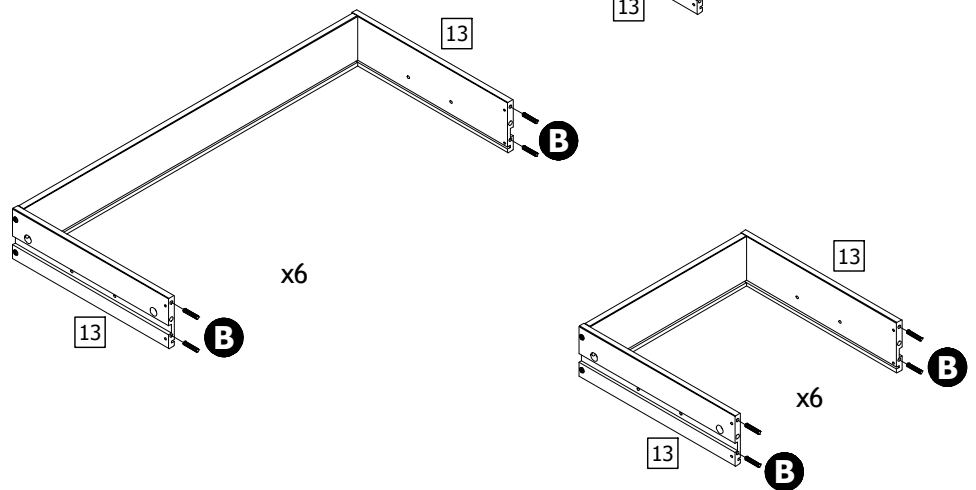
Step 1

Fix the drawer sides 13 to the drawer backs 14 and 15 as shown, using screws R.



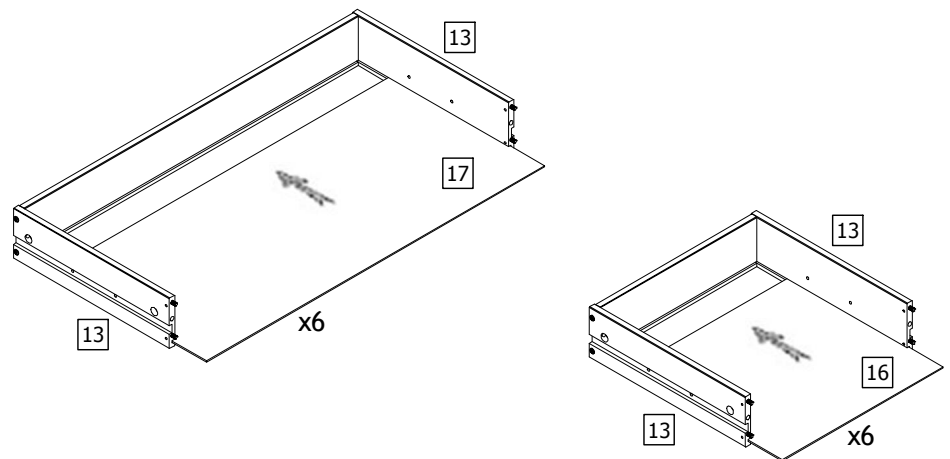
Step 2

Knock the dowels B into the holes indicated on the drawer sides 13 using a small hammer.



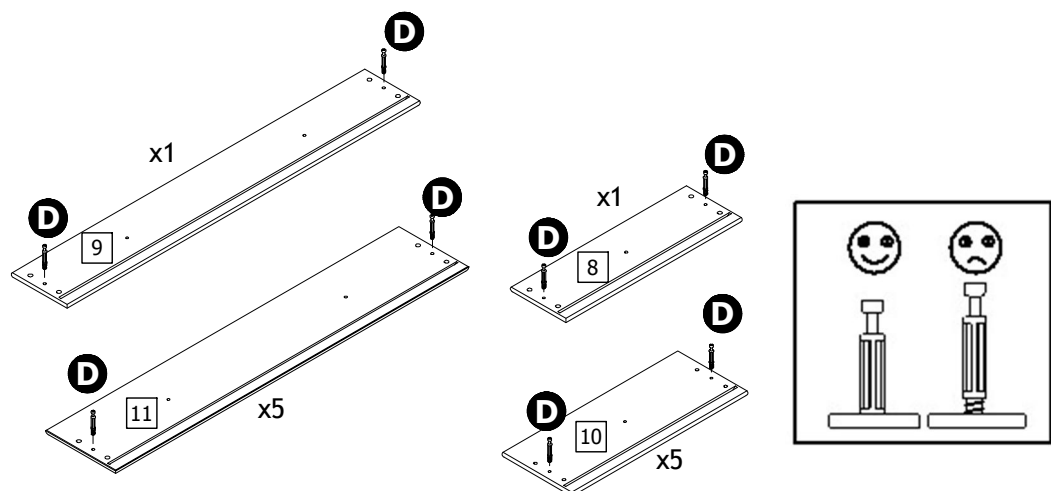
Step 3

Slide the drawer bottoms 16 and 17 into the drawer sides 13.



Step 4

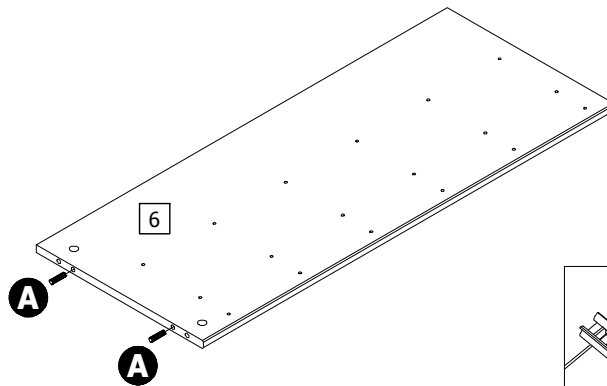
screw the bolts D into the holes indicated on the drawer fronts 8,9,10 and 11.



Assembly Instructions

Step 8

Knock down the dowels A into the holes indicated on the divider 6 using a small hammer.



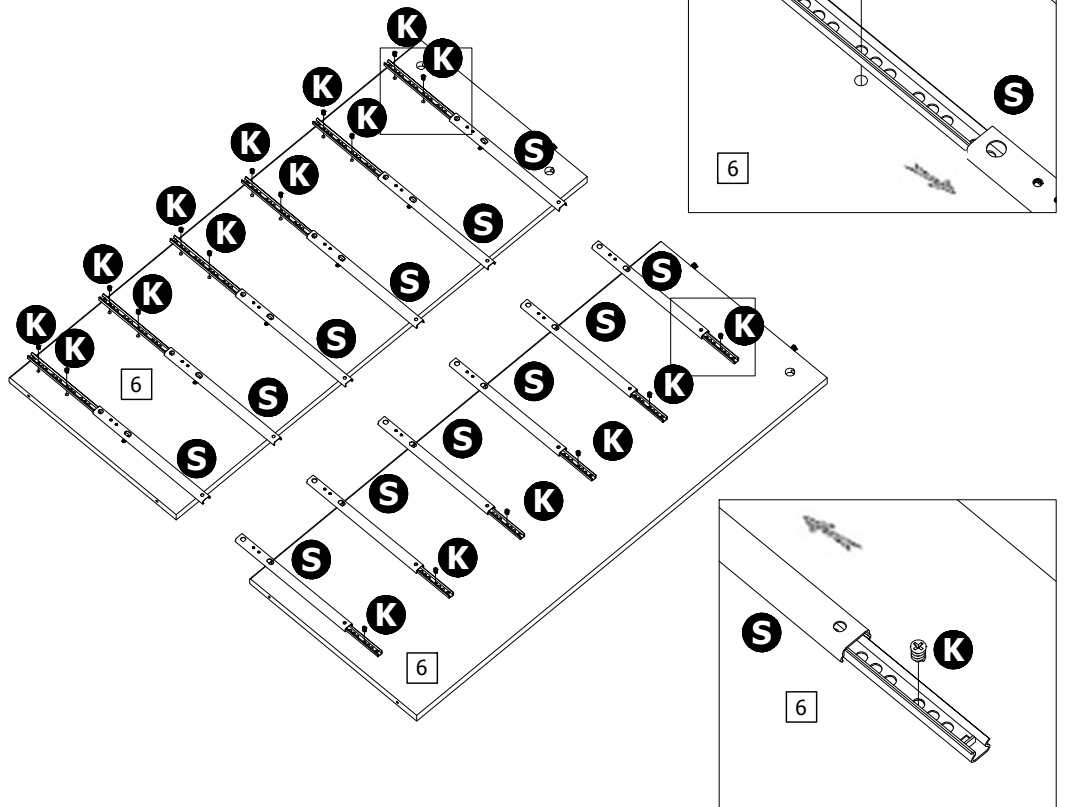
Step 9

Slide the top of the drawer runners S backwards.

Fix the front end of the drawer runners S to the divider 6 using screws K into the hole indicated. See details.

Slide the top of the drawer runners S forwards.

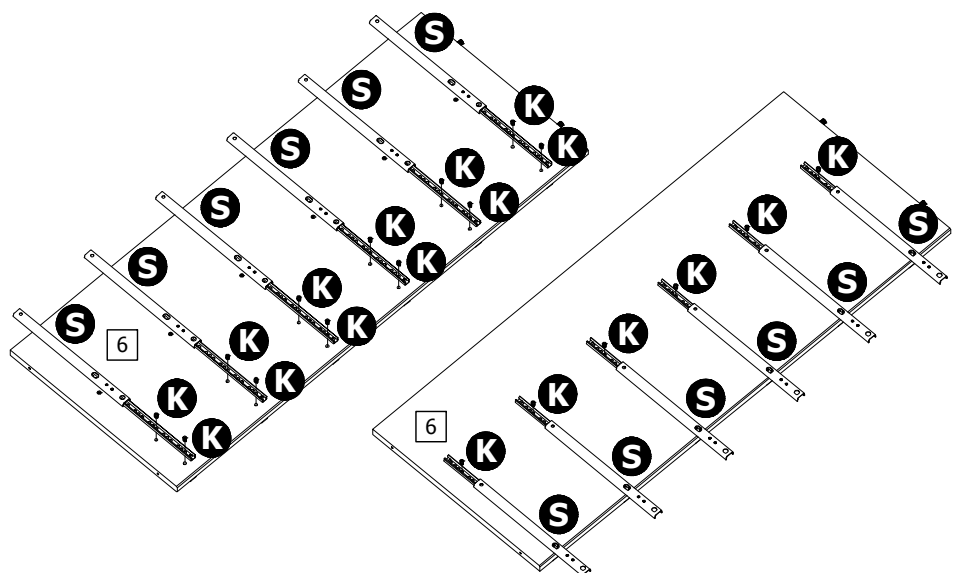
Fix the backend of the drawer runners S to the divider 6 using screws K into the holes indicated. See details.



Step 10

Turn around the divider 6.

Fix the drawer runners S to the divider 6 as shown. Same procedure as step 9.



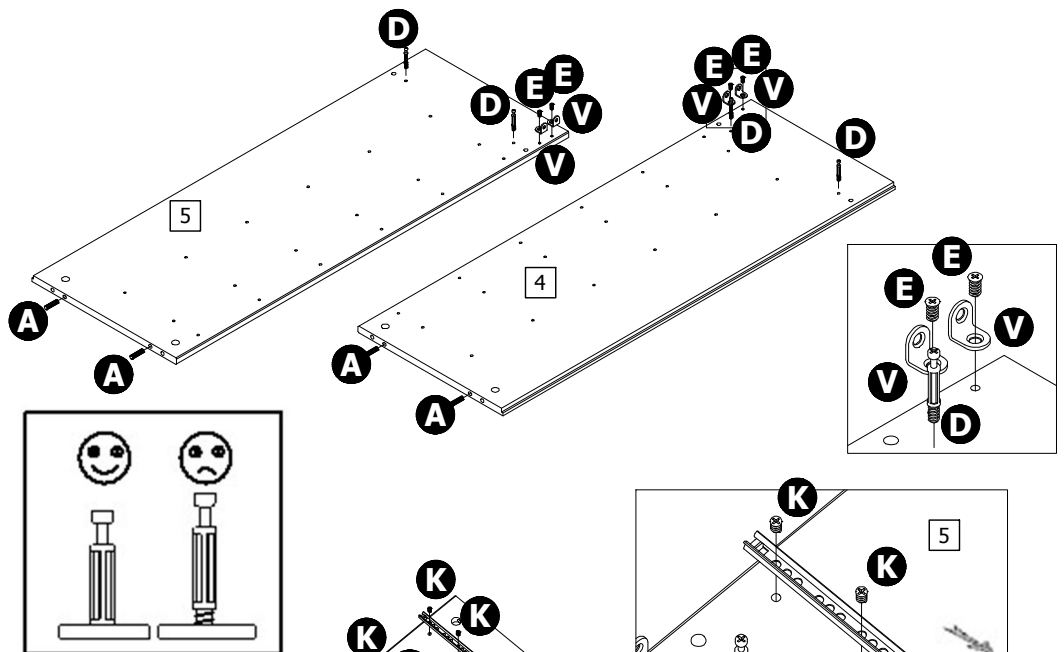
Assembly Instructions

Step 11

Screw the bolts D into the holes indicated on the sides 4 and 5.

Fix the angle V to the sides 4 and 5 using screws E. Place the angles as shown. See details.

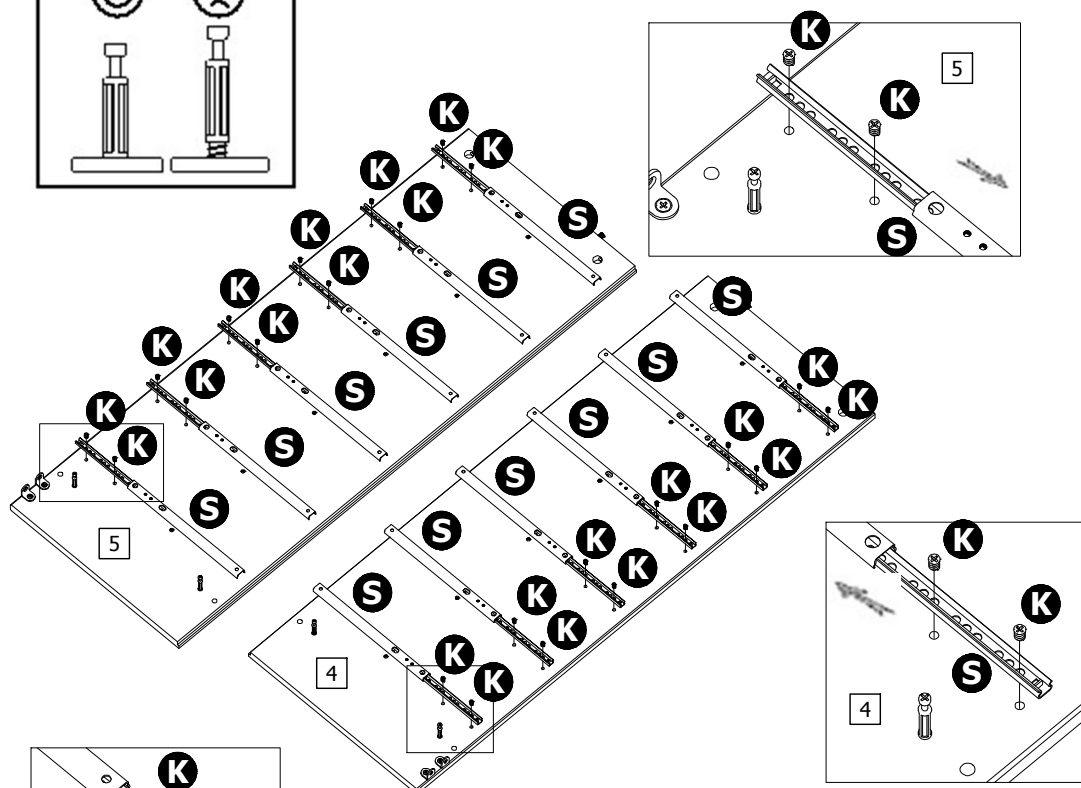
Knock down the dowels A into the holes indicated on the sides 4 and 5 using a small hammer.



Step 12

Slide the top of the drawer runners S backwards.

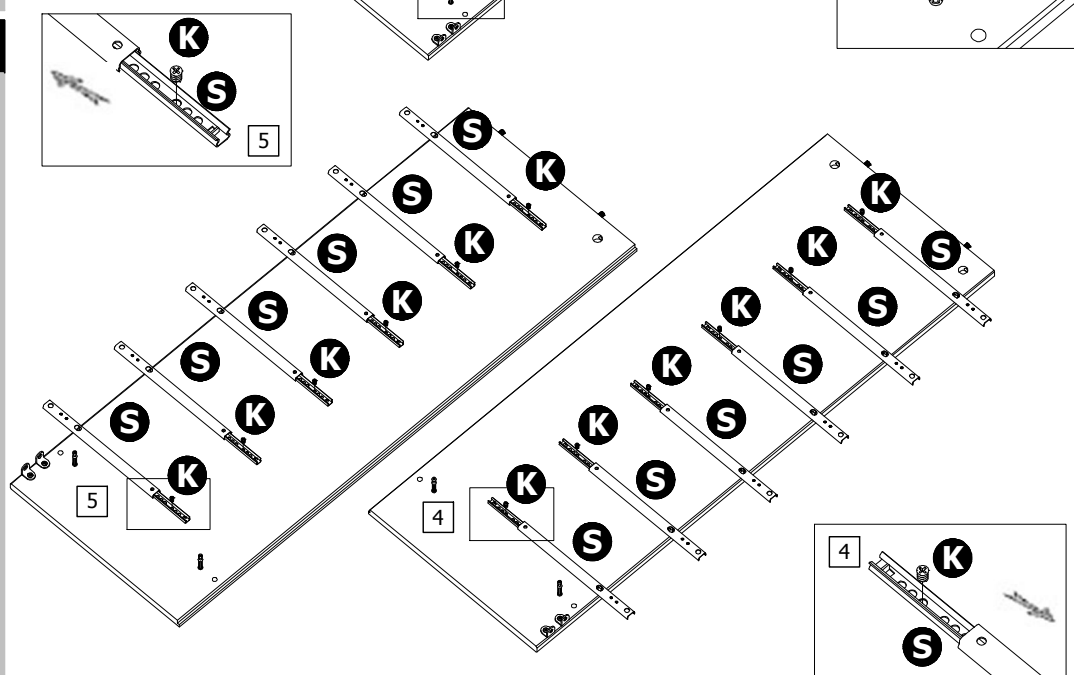
Fix the front end of the drawer runners S to the sides 4 and 5 using screws K through the holes indicated. See details.



Step 13

Slide the top of the drawer runners S forwards.

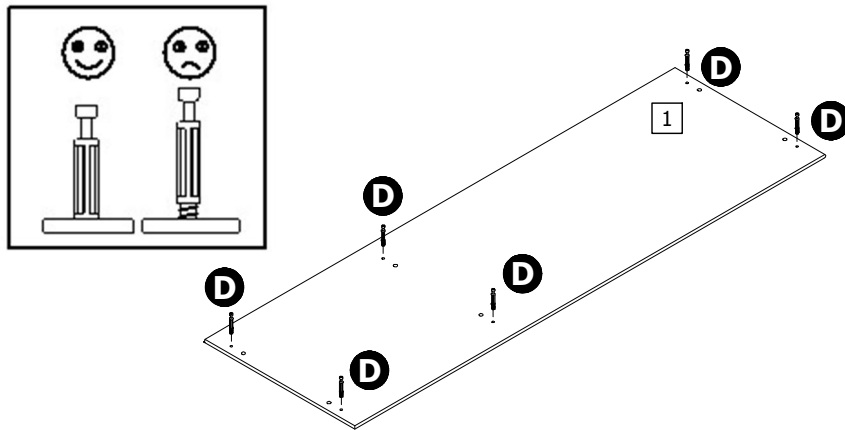
Fix the backend of the drawer runners S to the sides 4 and 5 using screws K through the holes indicated. See details.



Assembly Instructions

Step 14

Screw the bolts D into the holes indicated on the top 1.



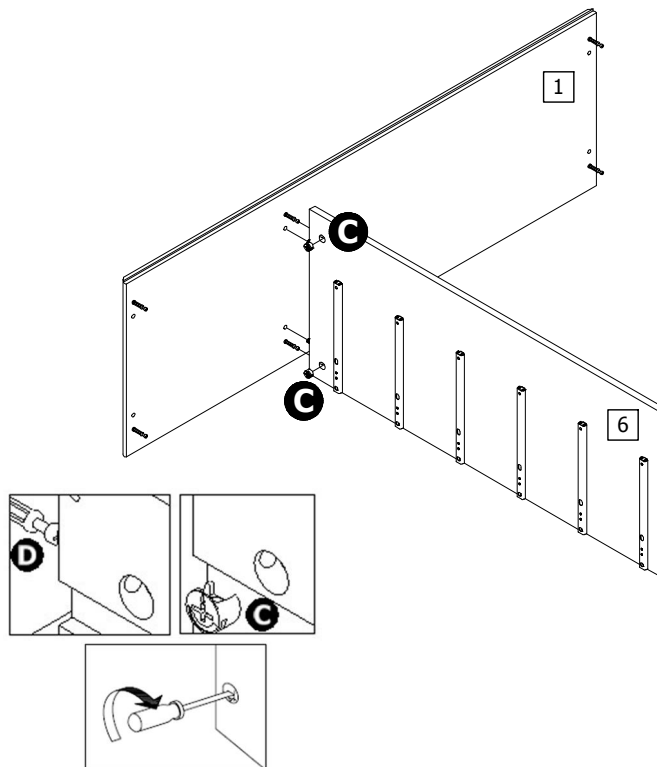
Step 15

Place the divider 6 onto the top 1.

It's important that the divider 6 is placed exactly as shown. Note the holes indicated.

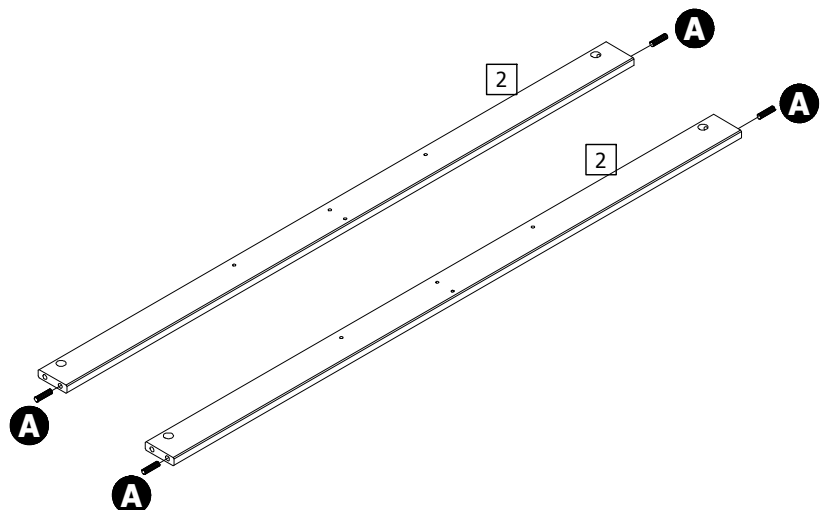
Push the cams C into the holes indicated. Arrow pointing towards top 1.

Turn the cams C to the right, to fix the divider 6.



Step 16

Knock down the dowels A into the holes indicated on the back plinths 2.



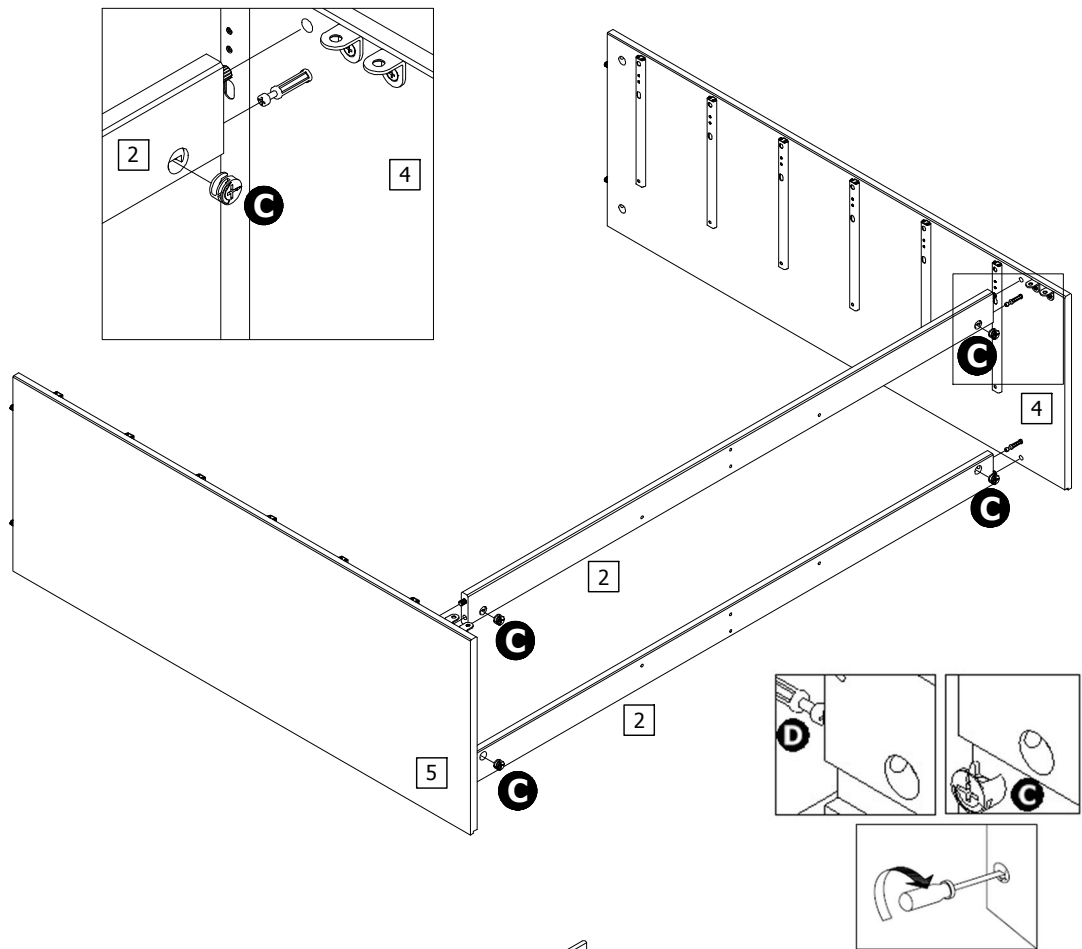
Assembly Instructions

Step 17

fix the back plinth 2 to the sides 4 and 5.

Push cams C into the holes indicated on the back plinth 2.
Arrow pointing towards sides 4 and 5.

Turn the cams C to the right to fix the sides 4 and 5.



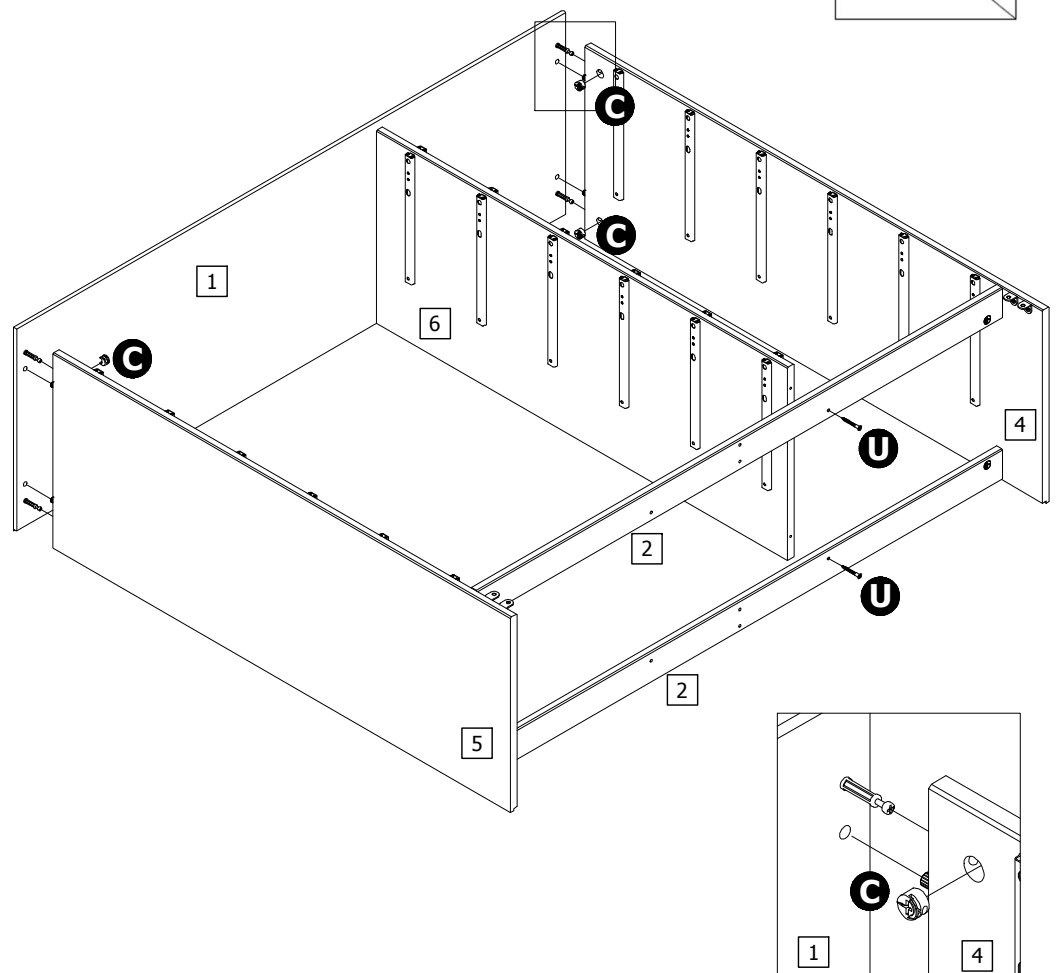
Step 18

Press the top 1 onto the sides 4 and 5.

Push cams C into the holes indicated on the sides 4 and 5.
Arrow pointing towards the top 1.

Turn the cams C to the right to fix the top 1.

Fix the divider 6 to the back plinths 2 using screws U. Tighten using the allen key X.



Assembly Instructions

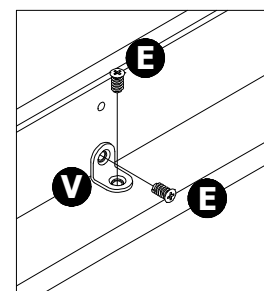
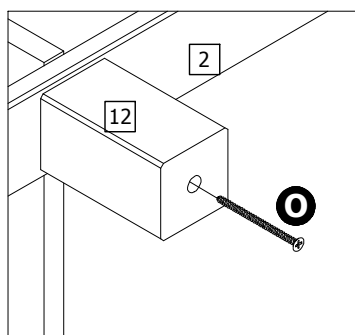
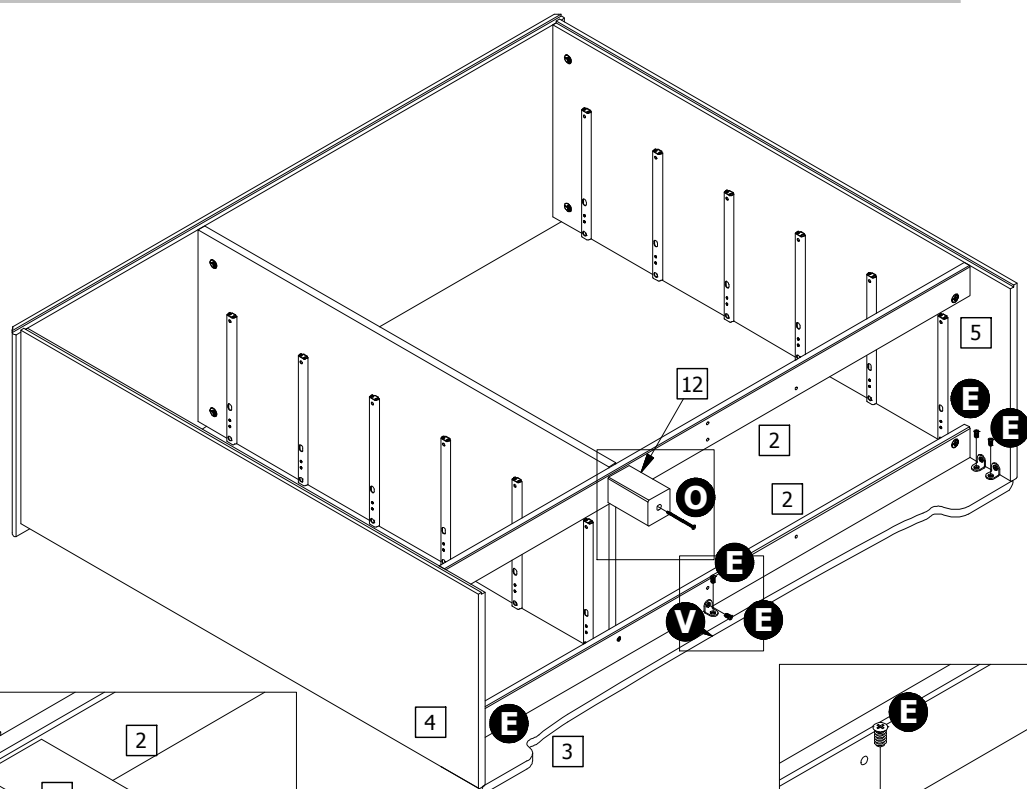
Step 19

Turn around the chest so that it lies on its front edge.

Place the front plinth 3 as shown.

Fix the front plinth 3 to the sides 4 and 5 using screws E into the angles V.

Fix the foot 12 onto the back plinth 2 using screw O.



Step 20

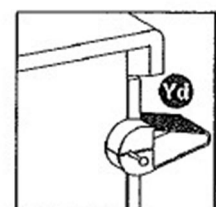
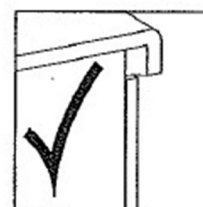
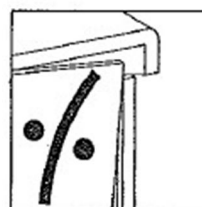
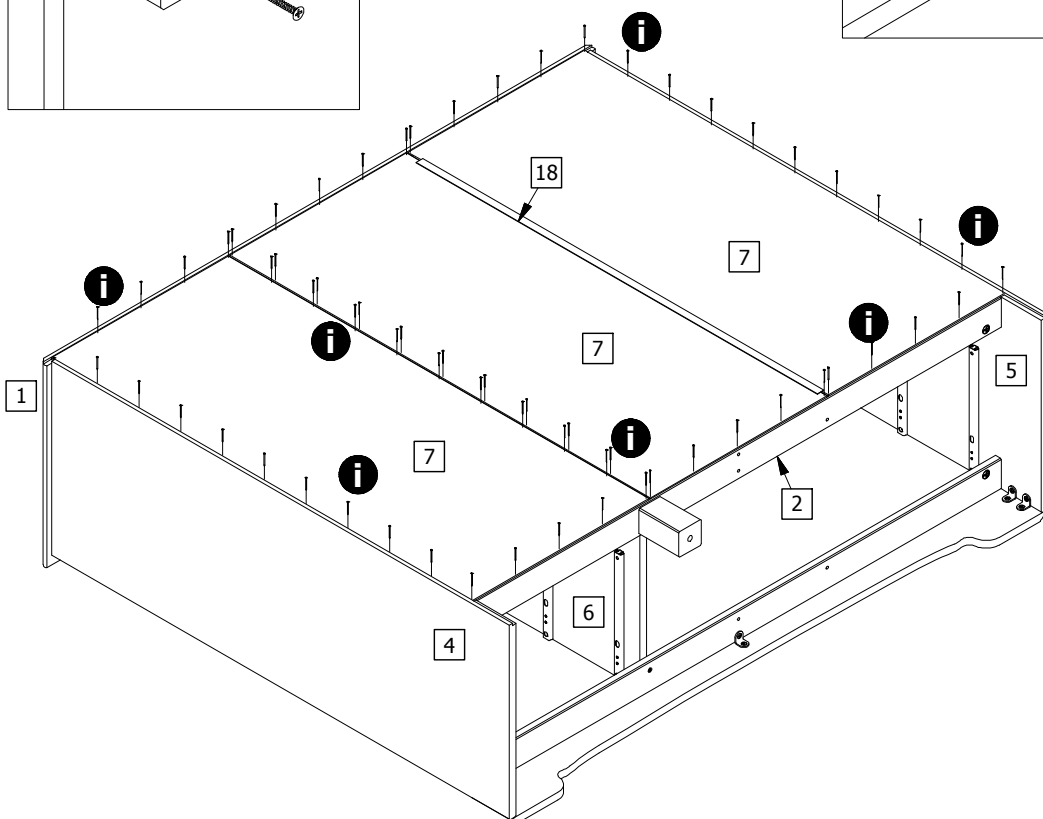
Place the backs 7 into the rebates in the sides 4 and 5 and the top 1



Important! Make sure the angle between the top and the sides is 90° when the back is attached.

Fix the backs 7 to the sides 4,5 the top 1, the divider 6 and the bottom plinth 2 using nails i.

Use the nail holder Yd and a small hammer.



Assembly Instructions

Step 21



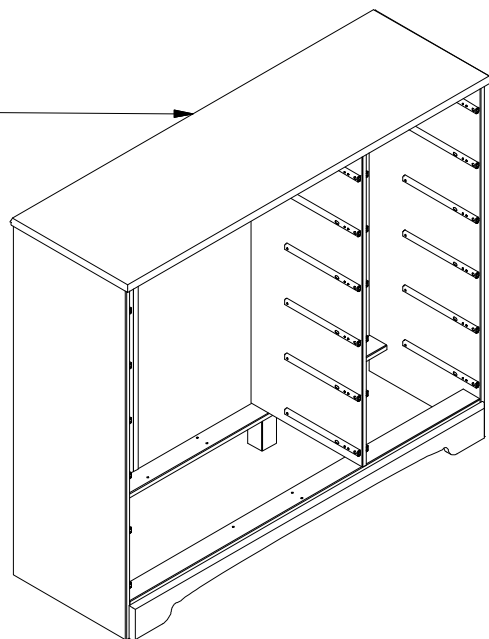
Warning!
The chest of drawers is heavy. Lift with care.

It's recommended that the chest is fixed to the wall.

Use fittings J.
Follow the instructions included with the fittings.



Wallstrap and instruction

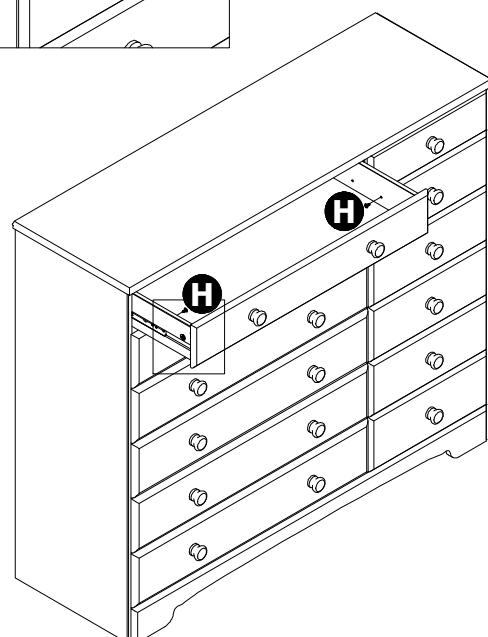
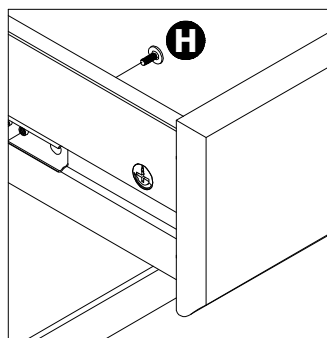
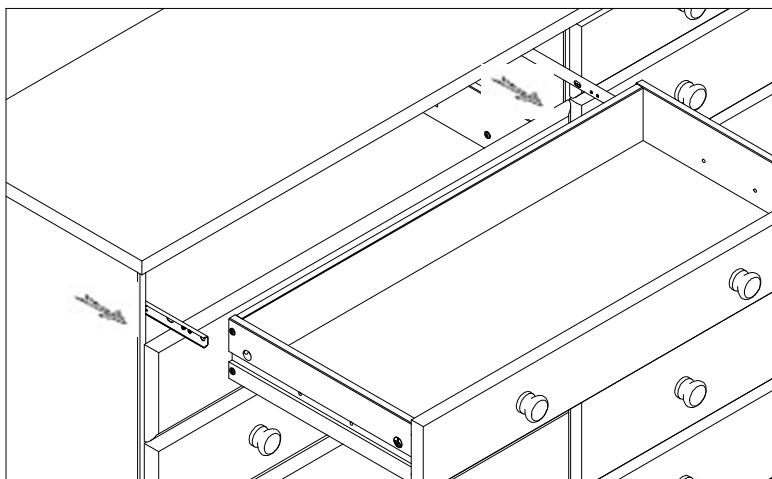


Step 22

Pull out the drawer runners. Slide the drawer onto the drawer runners.

Fit and fix the lower drawer first and work your way up.

Fix drawers to the drawer runners using screws H.



If you need help or have damaged or missing parts, **call the Customer Helpline: 0845 640 30 30**
Home Retail Group - 489-499 Avebury Boulevard - Saxon Gate West - Central Milton Keynes MK9 2NW