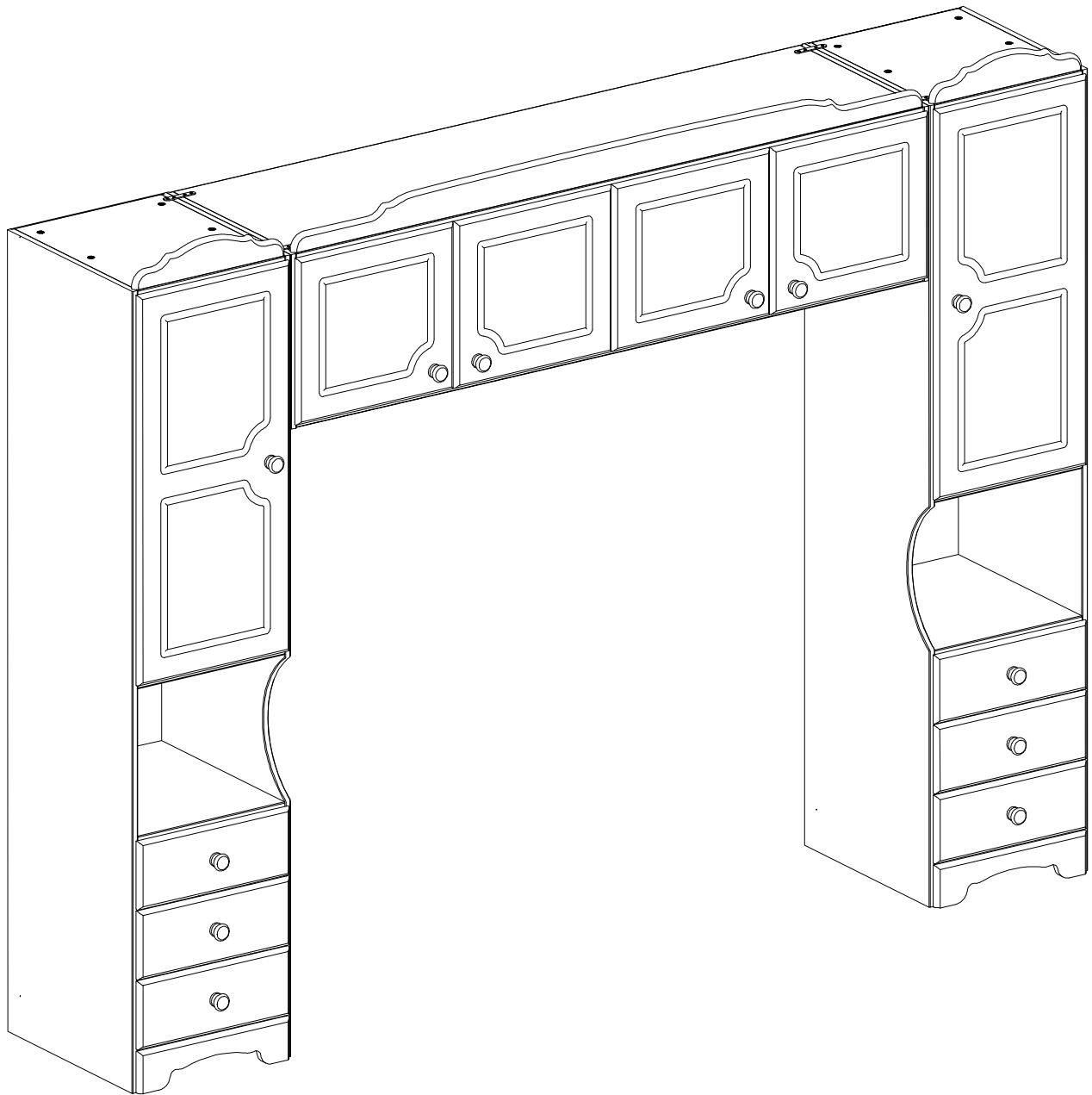


# Nordic - Overbed fitment

Assembly Instructions - Please keep for future reference

1708851



## Dimensions

Width : 248,9 cm

Depth : 49,0 cm

Height : 191,3 cm

**Important - Please read these instructions fully before starting assembly**

If you need help or have damaged or missing parts, call the Customer Helpline: 0845 640 30 30



# Safety and Care Advice

**Important - Please read these instructions fully before starting assembly**

- Check you have all the components and tools listed on pages 3 and 4.
- Remove all fittings from the plastic bags and separate them into their groups.
- Keep children and animals away from the work area, small parts could choke if swallowed.
- Make sure you have enough space to layout the parts before starting.

- Do not stand or put weight on the product, this could cause damage.
- Assemble the item as close to its final position (in the same room) as possible.
- Assemble on a soft level surface to avoid damaging the unit or your floor.
- Parts of the assembly will be easier with 2 people.



- We do not recommend the use of power drill/drivers **for inserting screws**, as this could damage the unit. Only use hand screwdrivers.
- Dispose of all packaging carefully and responsibly.

## Care and maintenance

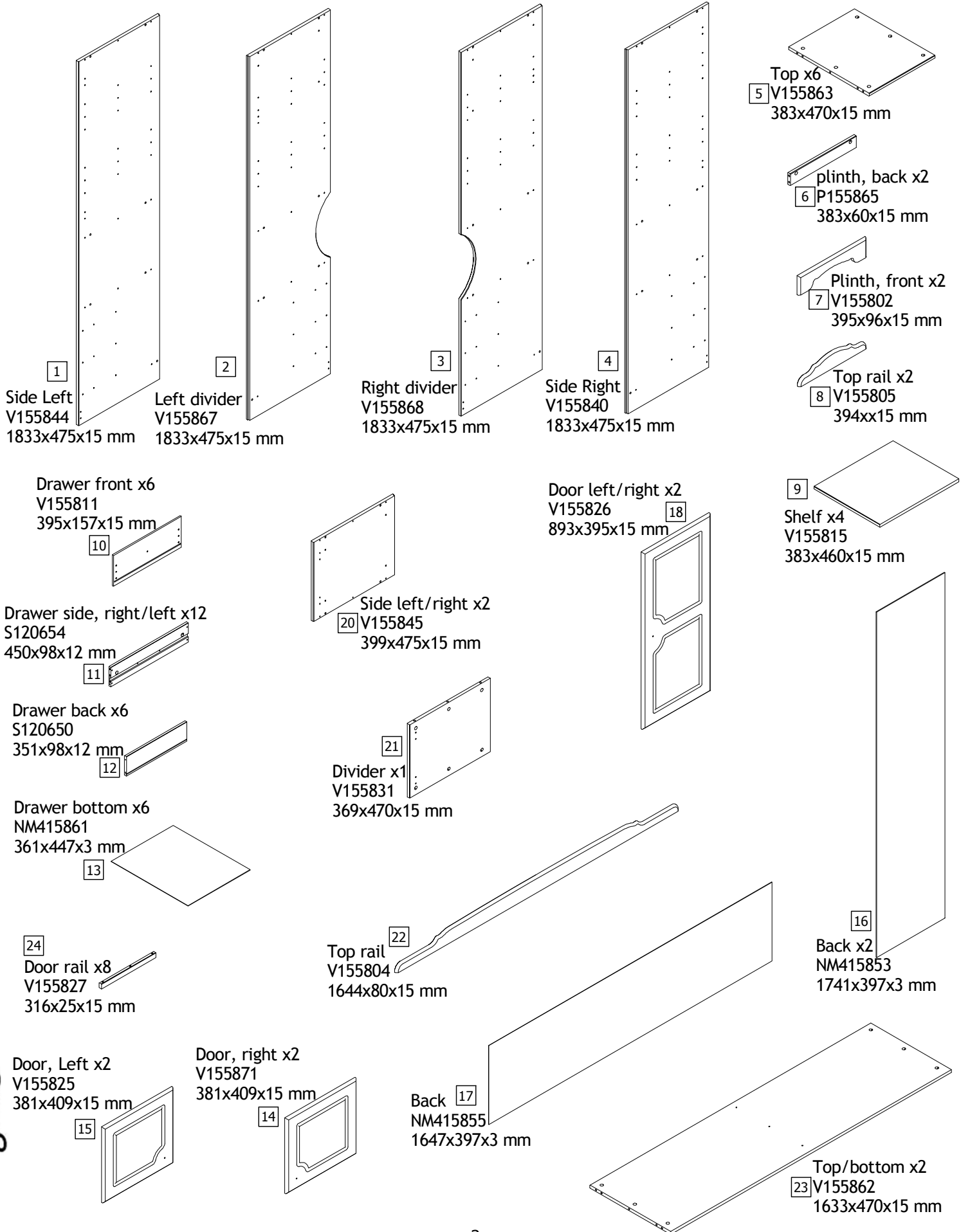
- Only clean using a damp cloth and mild detergent, do not use bleach or abrasive cleaners.
- From time to time check that there are no loose screws on this unit.
- This product should not be discarded with household waste. Take to your local authority waste disposal centre.

**Note:** if required the next page can be cut out and used as reference throughout the assembly. Keep this page with these instructions for future reference.

# Components - Panels

If you have damaged or missing components, call the **Argos Customer Helpline: 0845 640 30 30**

Please check you have all the panels listed below

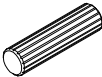
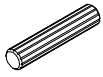
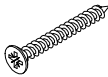




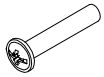

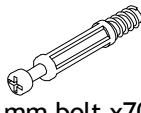

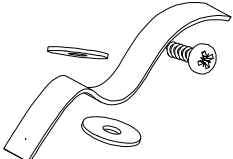


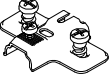
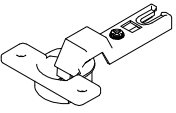
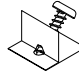
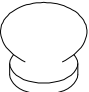
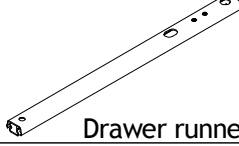


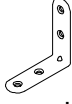
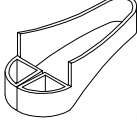
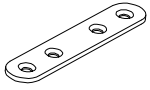


# Components - Fittings

If you have damaged or missing components, call the **Argos Customer Helpline: 0845 640 30 30**

Please check you have all the panels listed below

**Note:** The quantities below are the correct amount to complete the assembly. In some cases more fittings may be supplied than are required.

<b>A</b>  BA10390 ø8x30 mm wooden dowel x36	<b>B</b>  BA10400 ø6x30 mm wooden dowel x24	<b>O</b>  BA10130 ø4,0x35 mm screw x24
<b>R</b>  BA10170 ø4,0x35 mm screw x36	<b>T</b>  BA10050 ø3,5x15 mm screw x72	<b>L</b>  BA10830 5/5 mm shelf support x24
<b>C</b>  BA10590 ø15x9,5 mm cam x70	<b>M</b>  BA10233 ø4,9/M4x27 mm assembly screw x8	<b>N</b>  BA10215 M4x16 mm screw x8
<b>D</b>  BA10603 ø5/11x34 mm bolt x70	<b>i</b>  BA10025 ø1,2x20 mm nail x150	<b>J</b>  BA182002 wallstrap and instruction x2
<b>K</b>  BA10270 ø5,8x8 mm screw x36	<b>E</b>  BA10240 ø6,1x11,5 mm screw x16	
<b>P</b>  BA10532 0 mm/37 mm crossplate x12	<b>Q</b>  BA10508 ø26 cup hinge x12	<b>F</b>  BA10833 15x15x10 mm x12
<b>G</b>  BA10468 ø40x30 mm Wooden knob x12	<b>S</b>  B14359 17x246 mm Drawer runner x12	<b>H</b>  BA10191 M4x9 mm screw x12
<b>V</b>  BA10801 20x20x2 angle x8	<b>W</b>  BA10815 50x50x2 mm angle x8	<b>Yd</b>  Ba10688 500x250x Nail holder x1
<b>Y</b>  BA10796 80x15x2 mm connection plate x4		

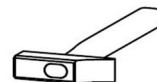
## Tools required



Phillips screwdriver  
(Medium & large)



Flatblade screwdriver  
(Medium)



Hammer

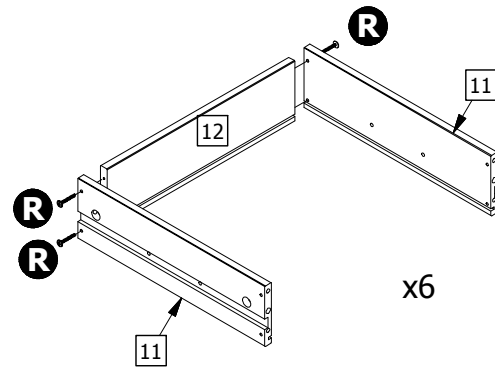
Ruler - Use this ruler to help correctly identify the screws



# Assembly Instructions

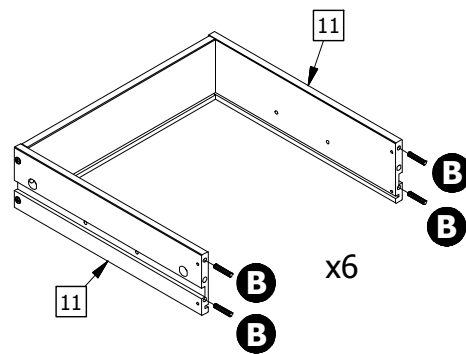
## Step 1

Fix the drawer sides 11 to the drawer back 12 as shown, using screws R.



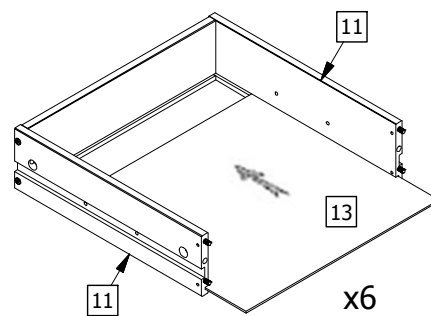
## Step 2

Knock down the dowels B into the holes indicated on the drawer sides 11, using a small hammer.



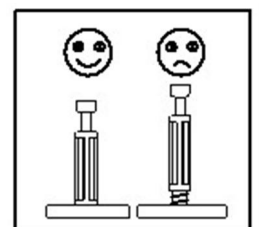
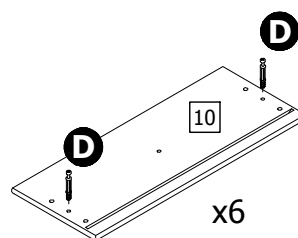
## Step 3

Slide the drawer bottom 13 into the drawer sides 11.



## Step 4

Screw the bolts D into the holes indicated on the drawer fronts 10.



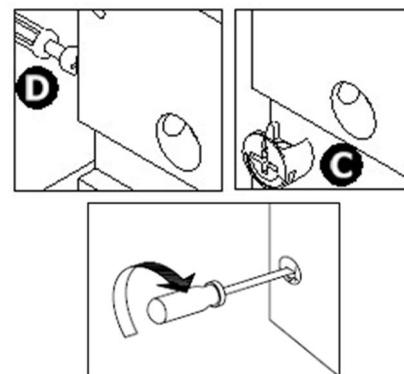
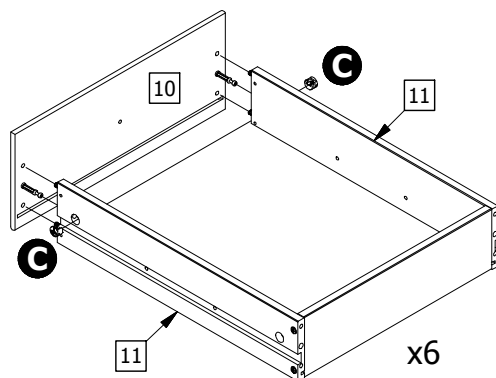
# Assembly Instructions

## Step 5

Push the drawer front 10 onto the the drawer sides 11 as shown.

Push cams C into the holes indicated. Arrow pointing towards the front.

Turn the cams C to the right to fix the front 10.



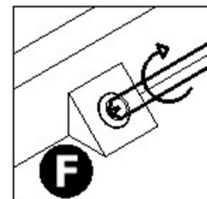
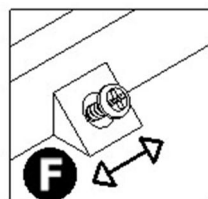
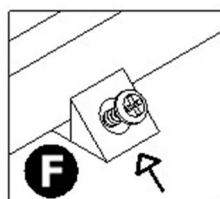
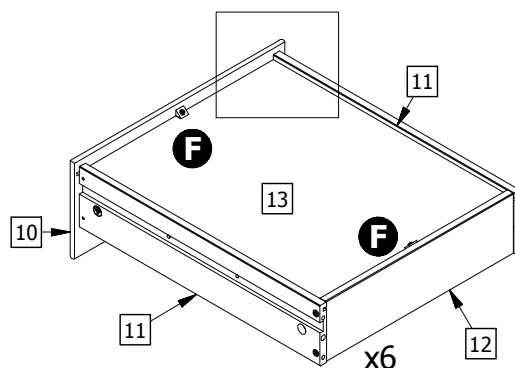
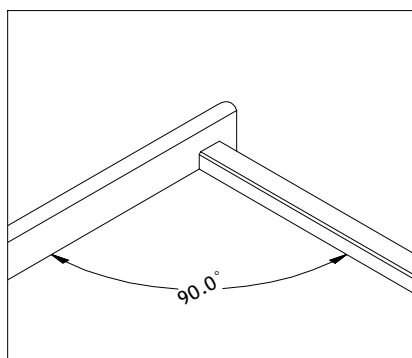
## Step 6

### Important!

Make sure the angle between the drawer front 10 and the drawer sides 11 is 90° before the drawer bottom is fixed.

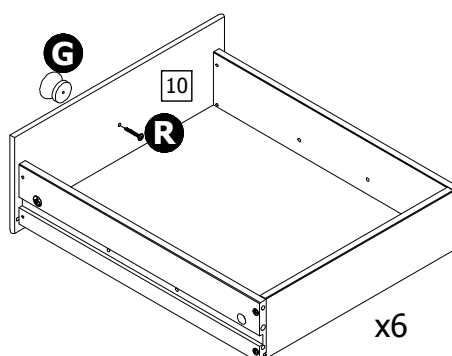
Fix the drawer bottom 13 to the drawer back 12 and the drawer front 10 using F.

To adjust the angle between the drawer sides and the drawer front push the fitting F sideways. See details.



## Step 7

Fix the wooden knobs G to the drawer front 10 using screws R.



# Assembly Instructions

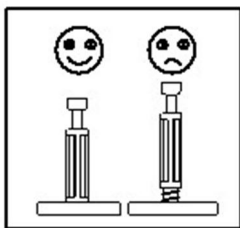
## Step 8

Knock down the dowels A into the holes indicated on the back plinths 6 and the top/bottom 5 using a small hammer.

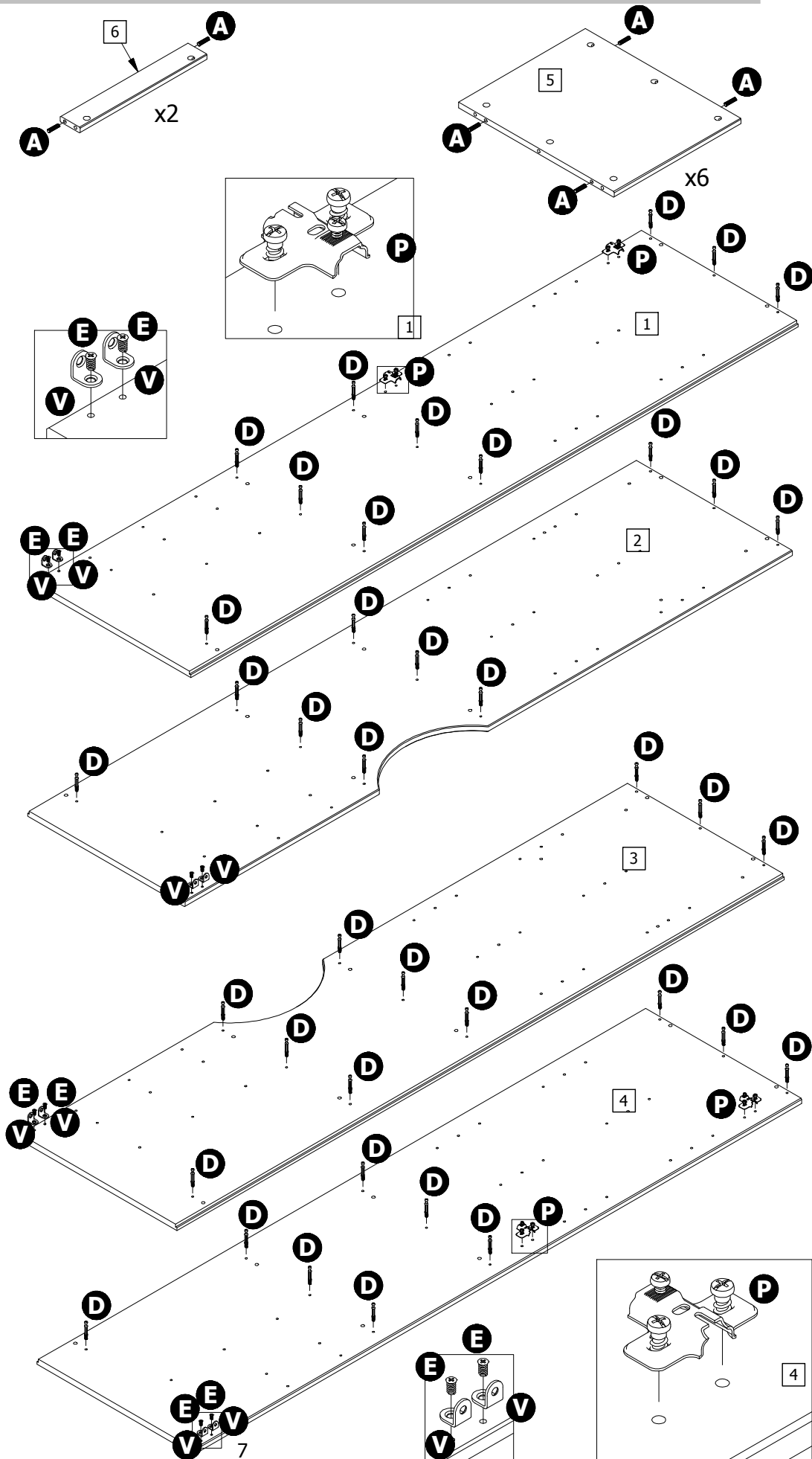
## Step 9

Fix the crossplates P to the sides 1 and 4 using the premounted screws. See details. Position the crossplate exactly as shown. See details.

Fix the angles V to the sides 1, and 4 and the divider 2 and 3 using screws E. Place the angles as shown. See details.



Screw the bolts D into the holes indicated on the sides 1 and 4 and the divider 2 and 3

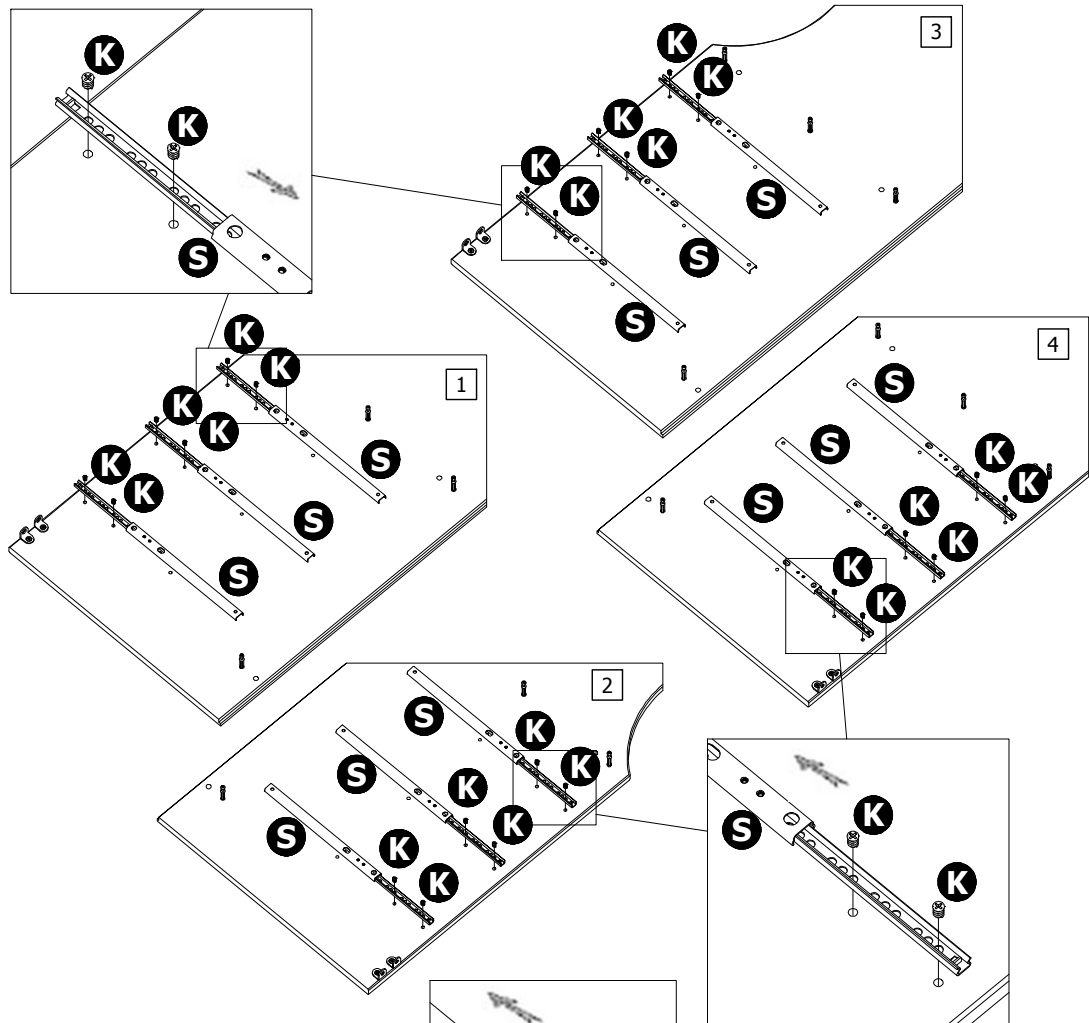


# Assembly Instructions

## Step 10

Slide the top of the drawer runners S backwards.

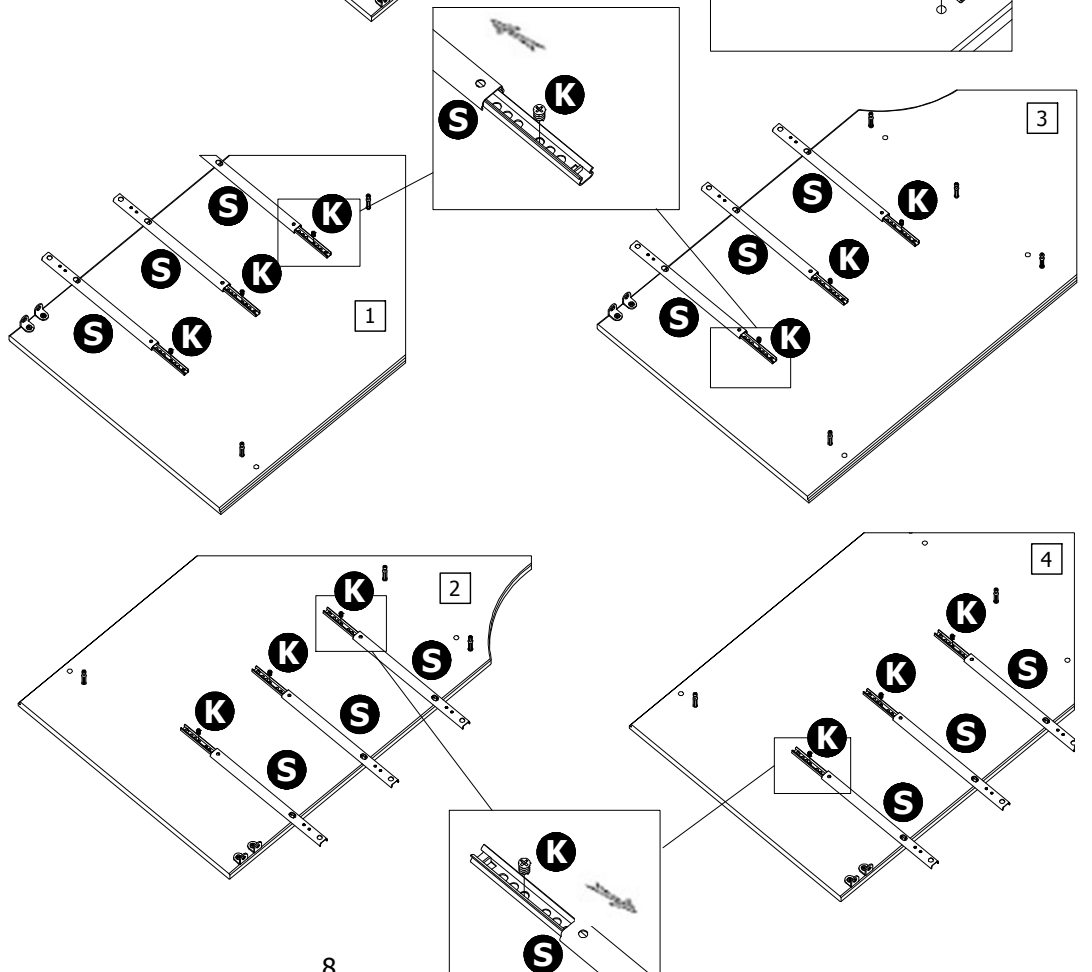
Fix the front end of the drawer runners S to the sides 1 and 4 and the divider 2 and 3 using screws K into the holes indicated. See details.



## Step 11

Slide the top of the drawer runners S forwards.

Fix the backend of the drawer runners S to the sides 1 and 4 and the divider 2 and 3 using screws K into the holes indicated. See details.





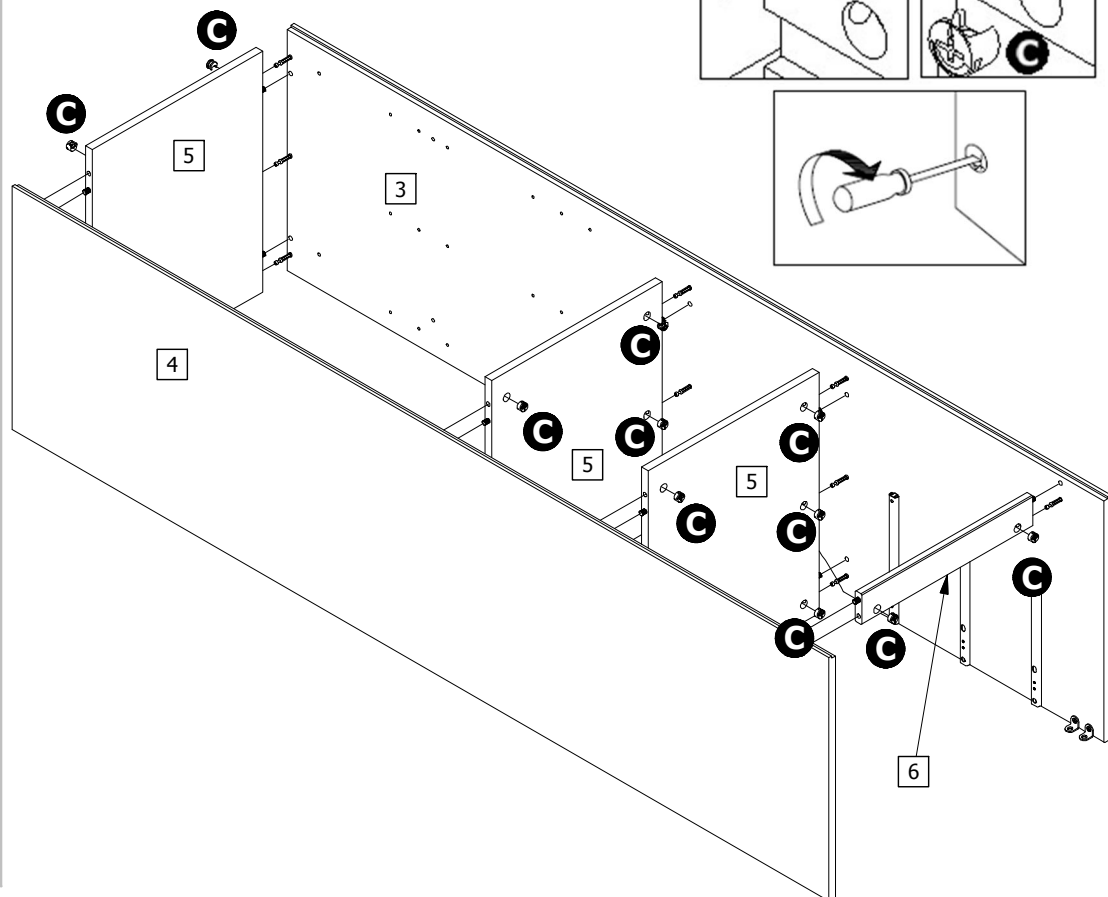
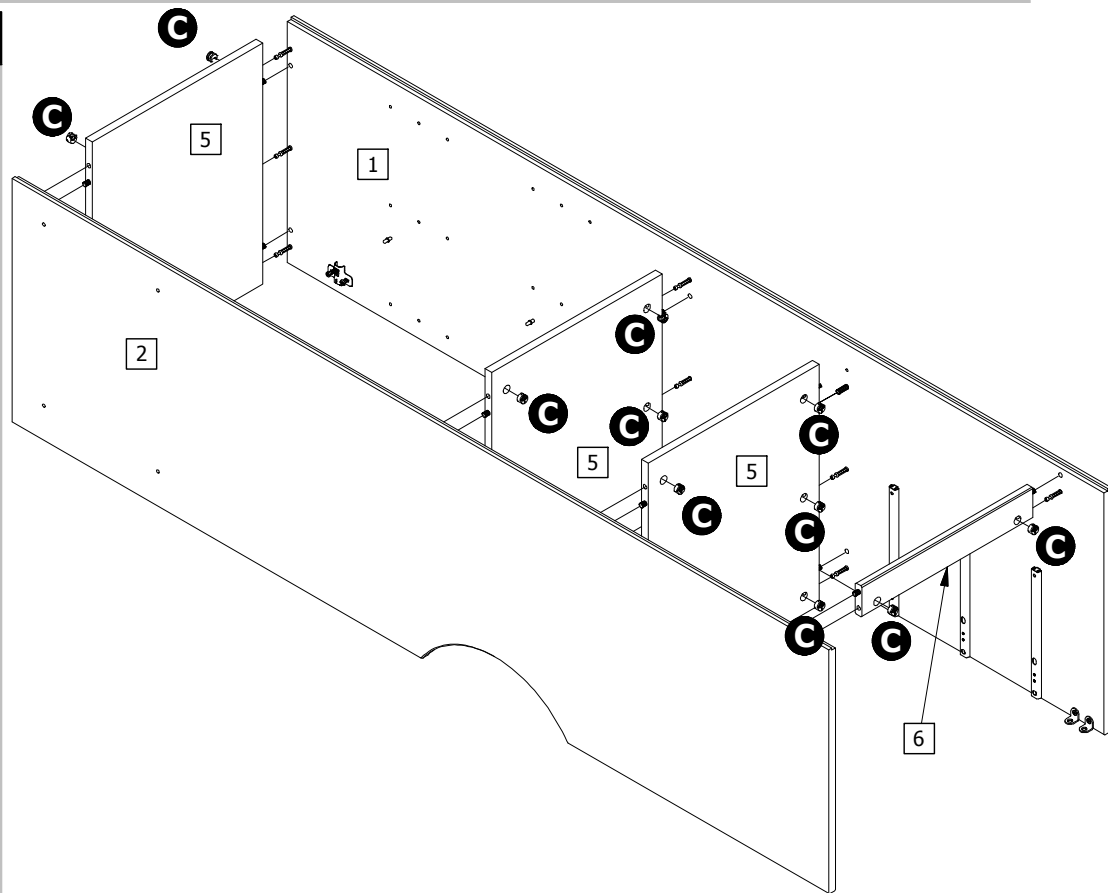
# Assembly Instructions

## Step 12

Place the sides 1 and 4 and the divider 2 and 3 onto the bottoms 5 and the back plinths 6.

Push the cams C into the holes indicated. Arrow pointing towards sides.

Turn the cams C to the right to fix the sides 1 and 4 and the divider 2 and 3.



# Assembly Instructions

## Step 13

Place the back 16 into the rebates in the sides/divider 1, 2, 3 and 4.



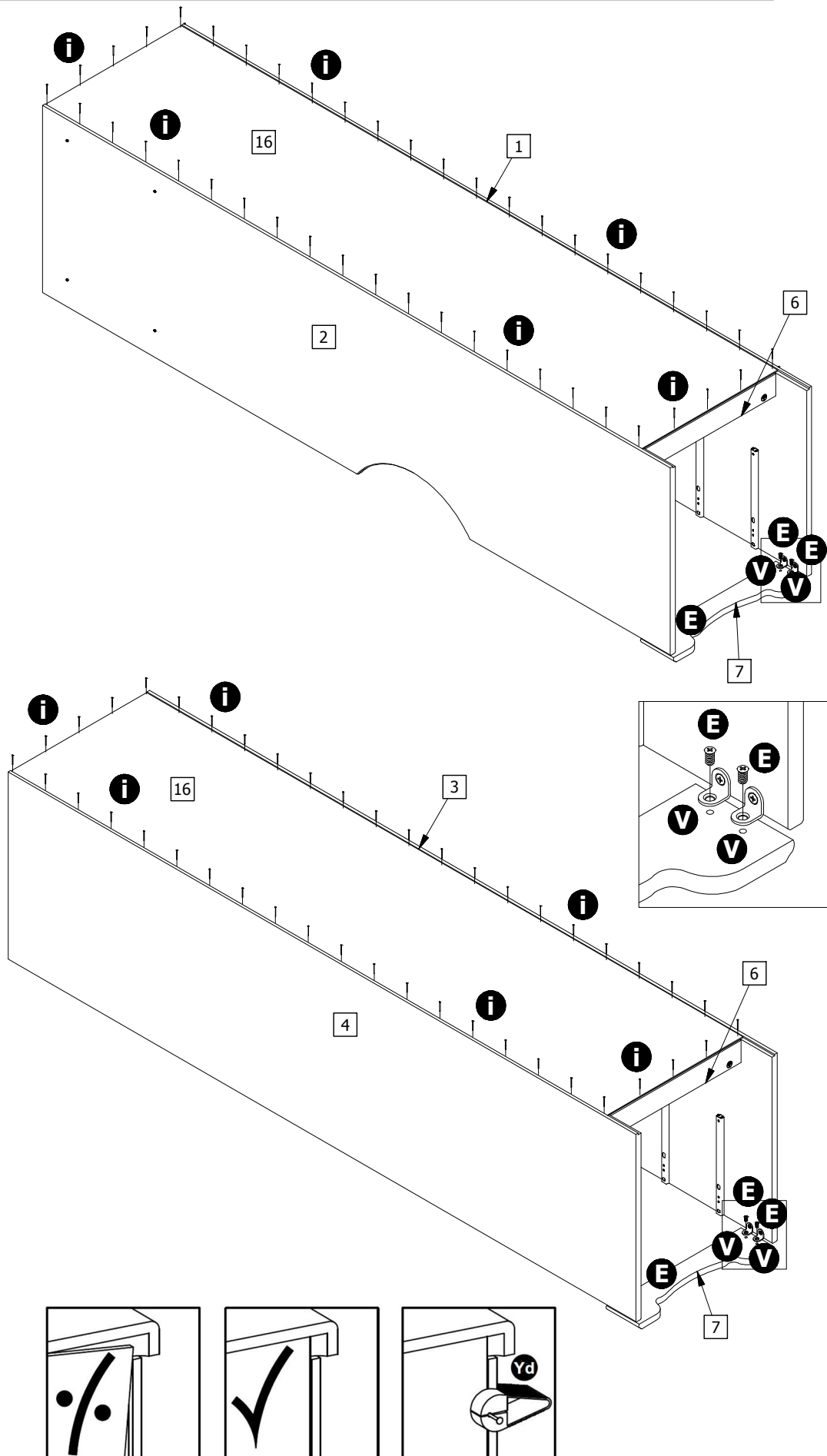
**Important!**  
Make sure the angle between the top and the sides is 90° when the back is attached.

Fix the backs to the sides/ divider 1, 2, 3 and 4 and the top 5 and the back plinth 5 using nails i.

Use Nail holder Yd and a small hammer.

Place the front plinths 7 as shown.

Fix the front plinths 7 to the sides/divider 1, 2, 3 and 4 using screws E into the angles V.

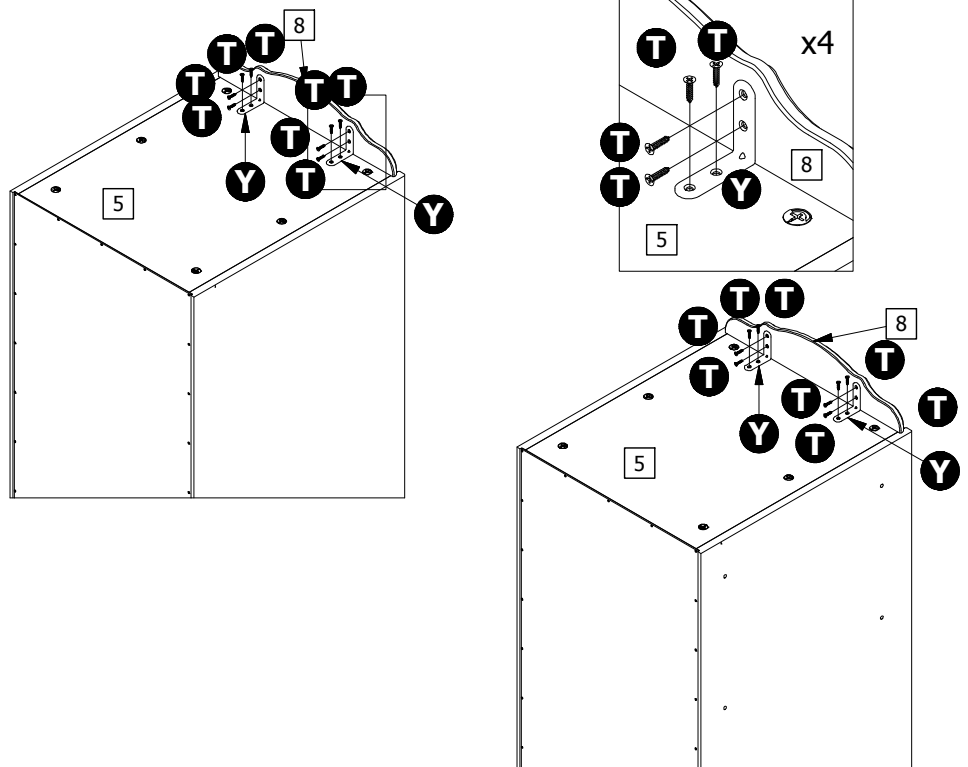


# Assembly Instructions

## Step 14

Place the top rail 8 onto the top 5.

Fix the top rail to the top using angles W and screws T.

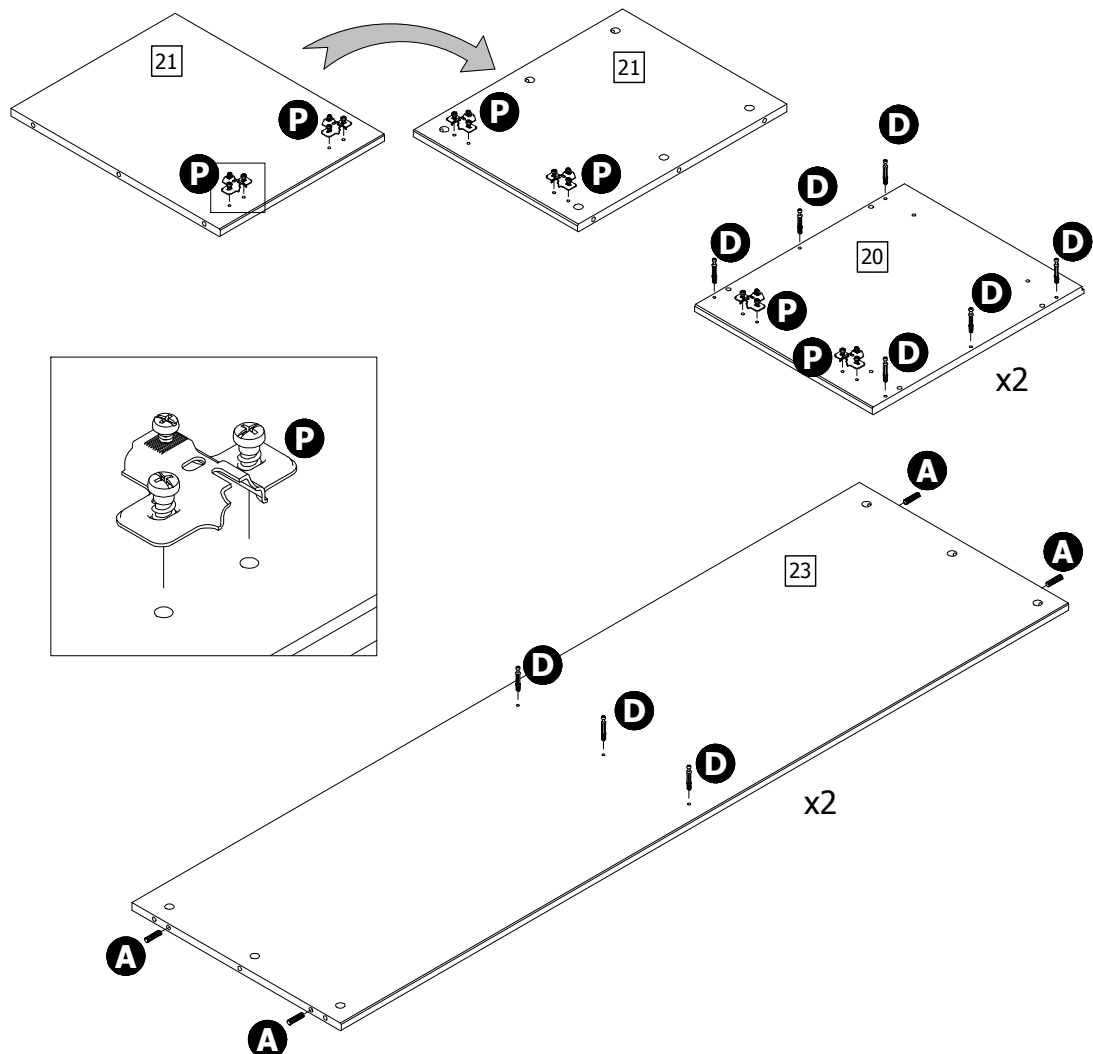


## Step 15

Fix the crossplates P to the divider 21 on both sides and to the sides 20, using the pre-mounted screws. Position exactly as shown. See details.

Screw the bolts D into the holes indicated on the sides 20 and the top/bottom 23.

Knock down the dowels A into the holes indicated on the top/bottom 23 using a small hammer.



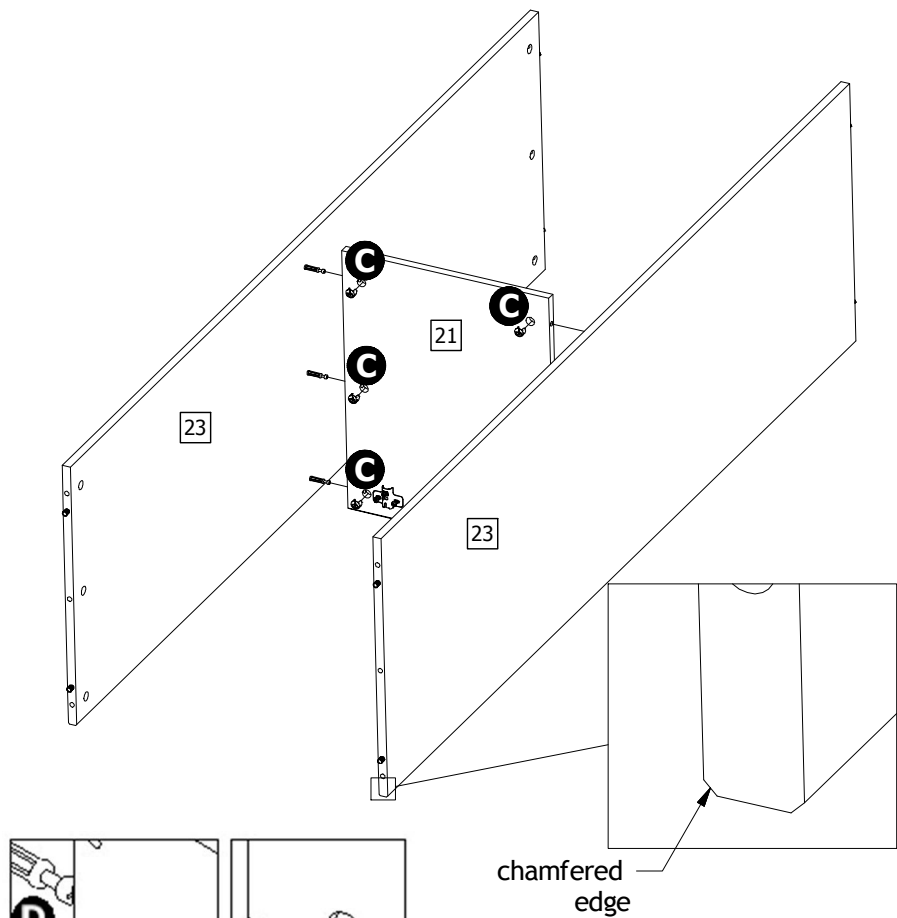
# Assembly Instructions

## Step 16

Place the top/bottom 23 onto the divider 21 as shown. Note the chamfered edges.

Push cams C into the holes indicated. Arrows pointing towards the top/bottom 23.

Turn the cams C to the right to fix the top/bottoms 23.

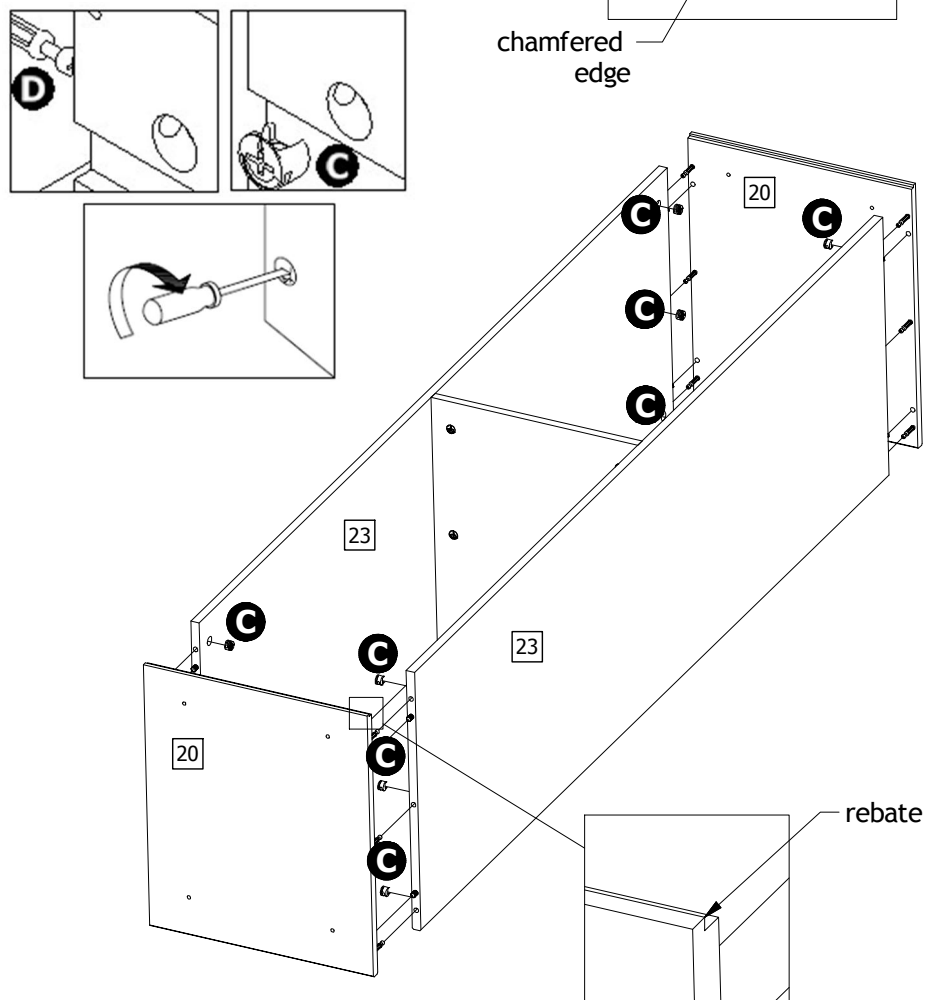


## Step 17

Place the sides 20 onto the top/bottom 23. Not the rebates.

Push cams C into the holes indicated. Arrows pointing towards the sides.

Turn the cams C to the right to fix the sides.



# Assembly Instructions

## Step 18

Place the back 17 into the rebates in the sides 20 and onto the top/bottom 23.



### Important!

Make sure the angle between the top and the sides is 90° when the back is attached.

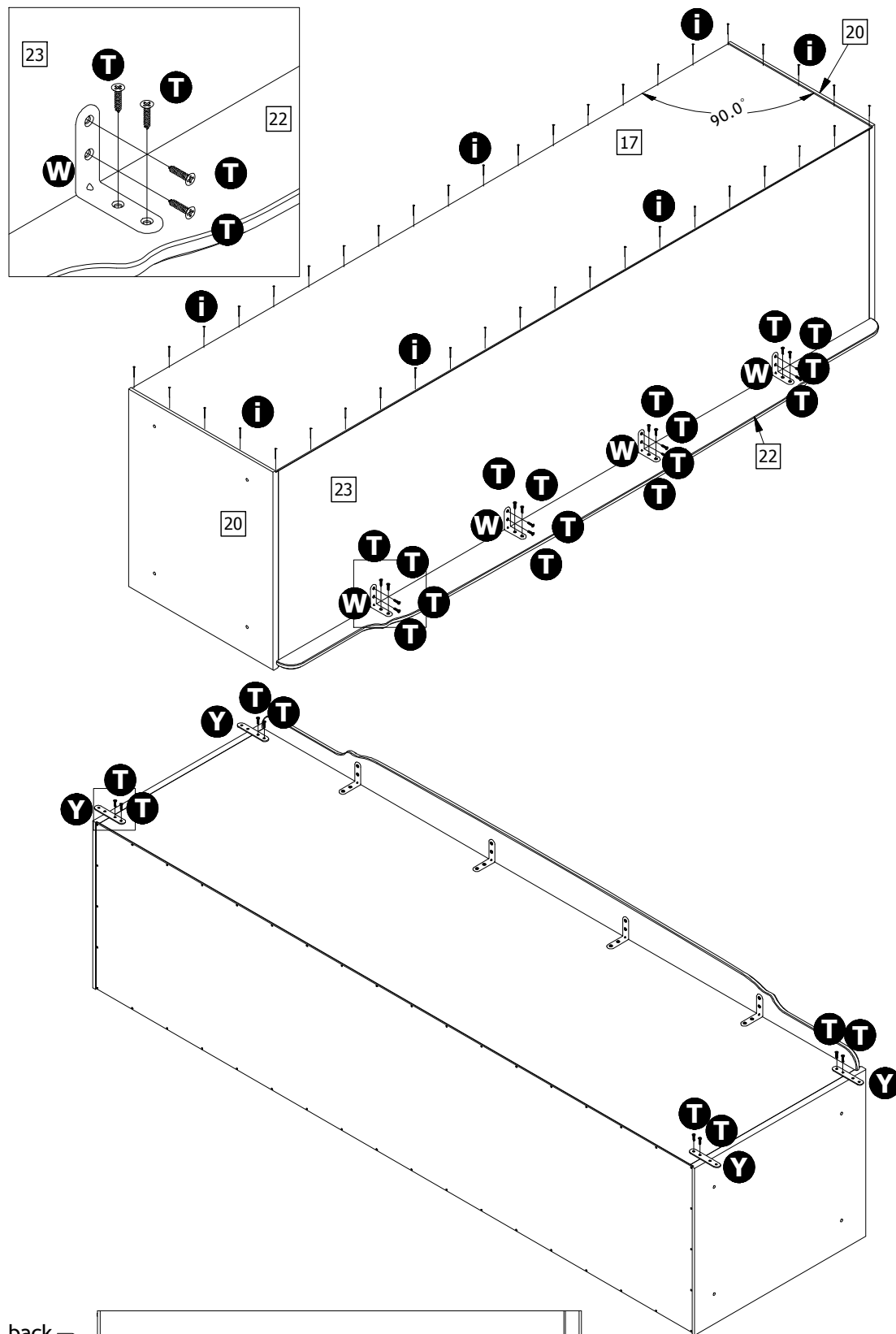
Fix the back 17 to the sides 20 and the top/bottom 23 using nails i.

Use the nailholder Yd and a small hammer.

Place the top rail 22 onto the top 23.

Fix the top rail 22 onto the top 23.

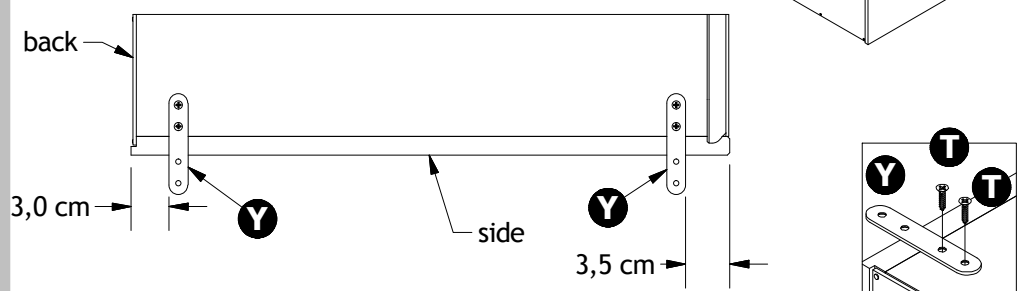
Fix the top rail 22 to the top 23 using angles W and screws T.



## Step 19

Fix the connecting plates Y onto the top 23 using screws T.

Place the connecting plate exactly as shown. See details.



# Assembly Instructions

## Step 20

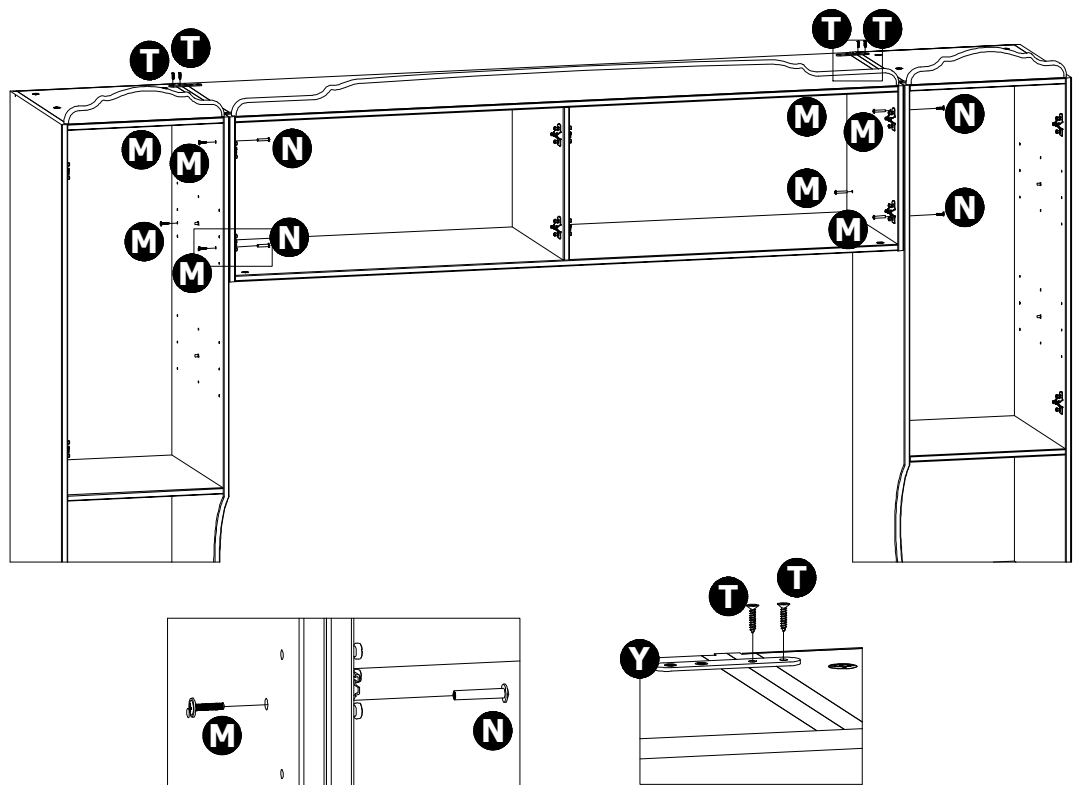


**Warning !**  
The wardrobe is heavy. Lift with care.

Place the 4 door wardrobe as shown.

Fix it using screws N and assembly screws M into the holes indicated. See details

Fix the connecting plate Y to the top 5 using screws T.

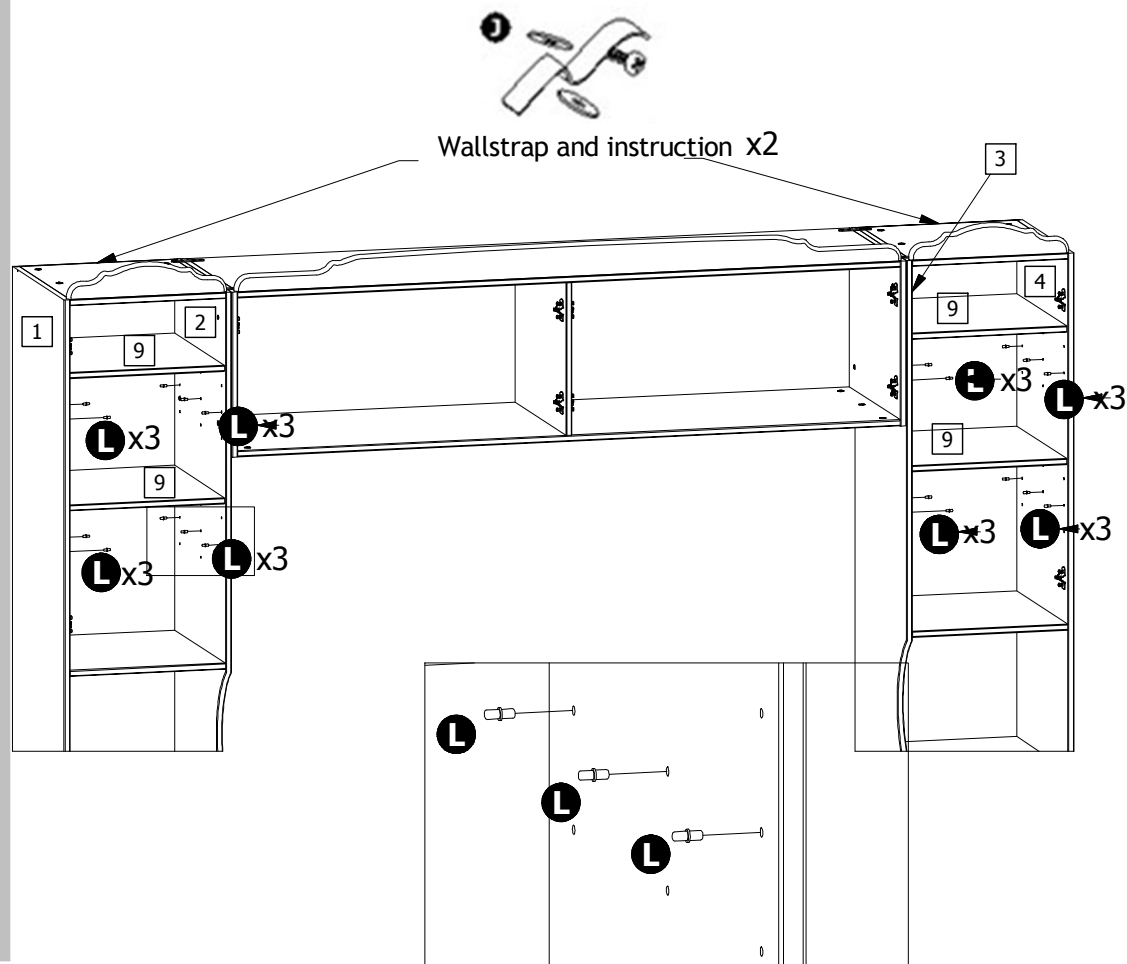


## Step 21

it is recommended that the wardrobe is fixed to the wall.

Use the fittings J. Follow the instruction included with the fittings.

Knock the shelf supports L into the holes of the sides 1, 2, 3 and 4. Place the shelves 9.



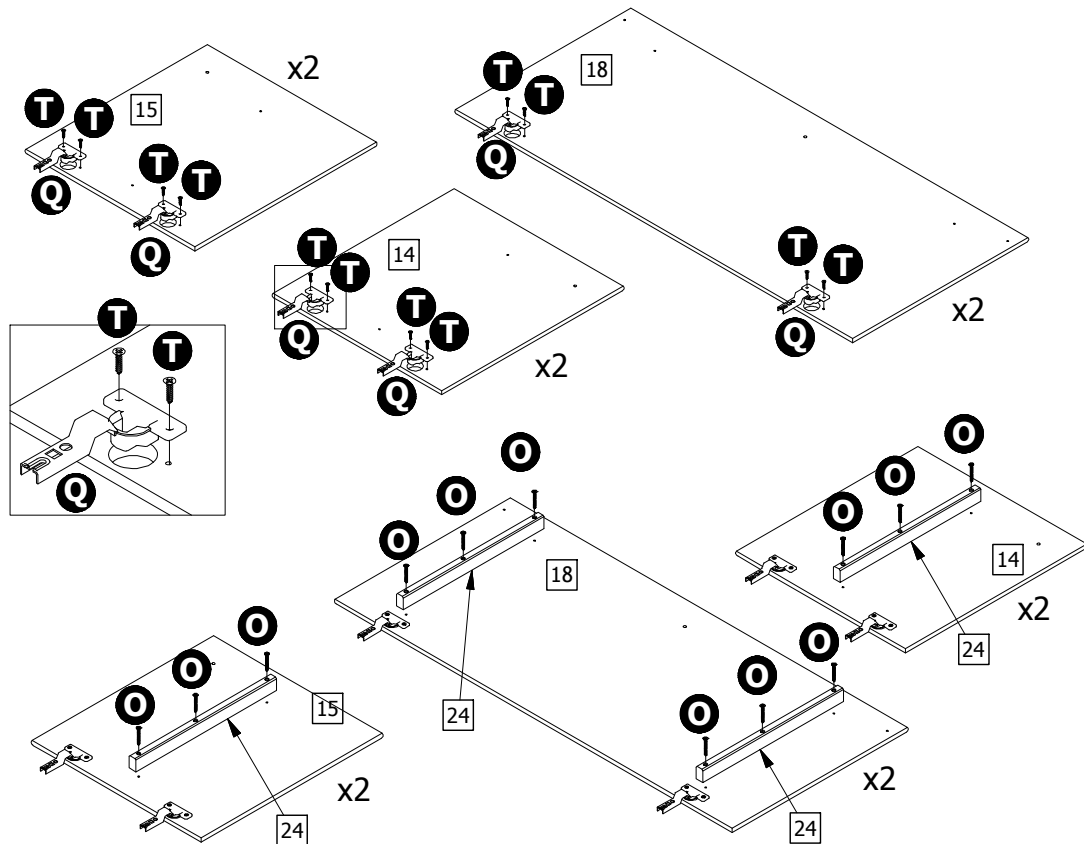
# Assembly Instructions

## Step 22

Place the cup hinges Q into the holes indicated on the doors 14, 15 and 18.

Fix the hinges using screws T.

Fix the door rail 24 to the doors 14, 15 and 18 into the holes indicated using screws O

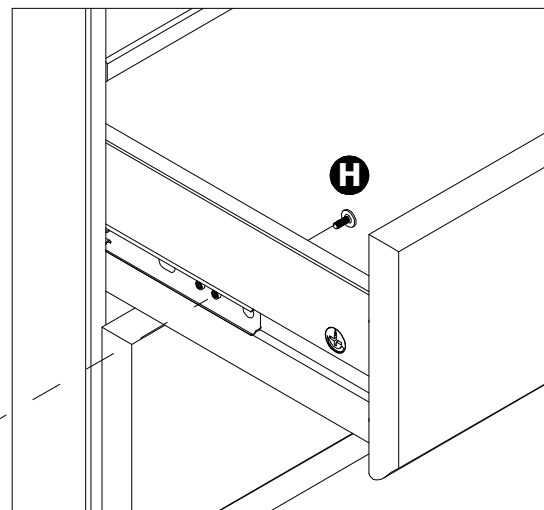
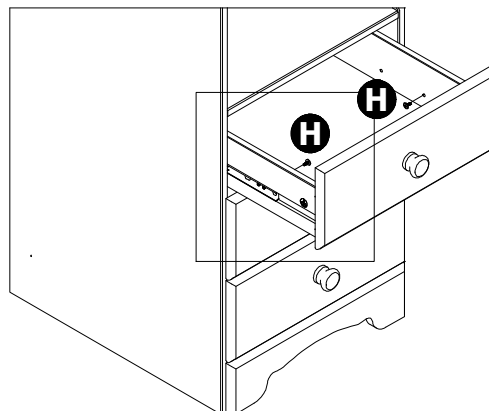
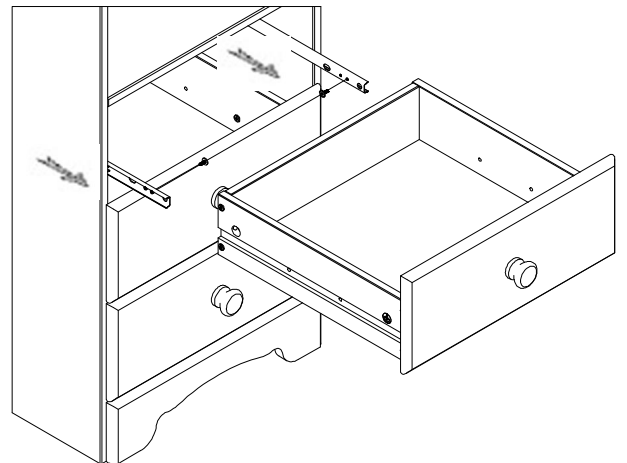


## Step 23

Pull out the drawer runners. Slide the drawer onto the runners.

Fit and fix the lower drawer first and work your way up.

Fix drawer to the drawer runners using screws H.

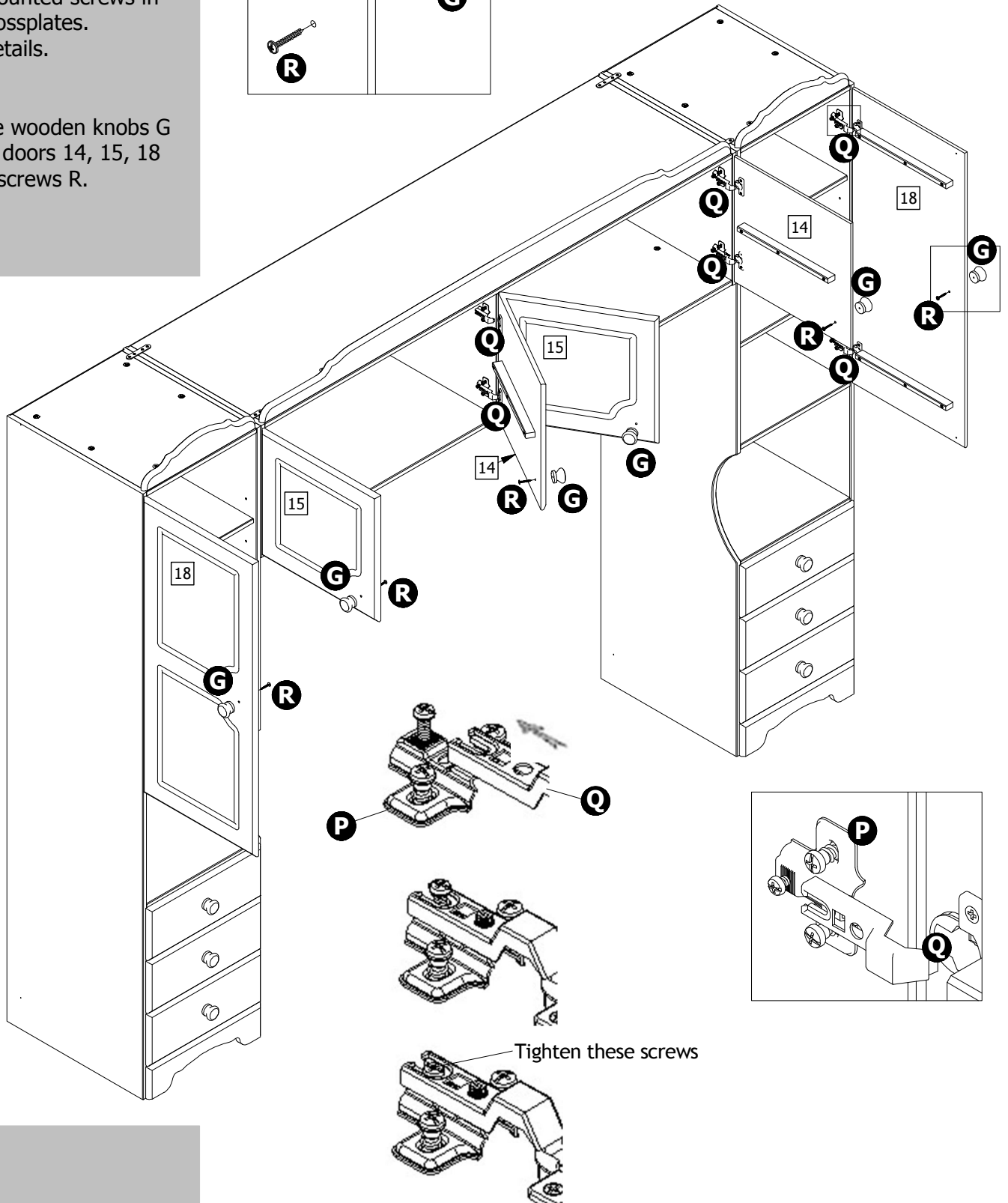
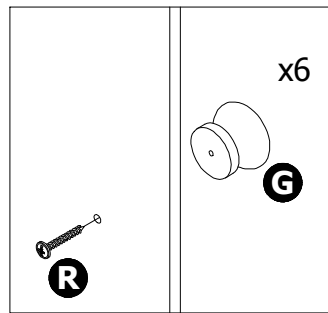


# Assembly Instructions

## Step 24

Slide the cup hinges Q onto the crossplates P. Fix the hinges using the pre-mounted screws in the crossplates. See details.

Fix the wooden knobs G to the doors 14, 15, 18 using screws R.





# Assembly Instructions

## Step 25

### Adjusting the doors left/right.

**a:**  
To adjust the door towards the left hand side - turn the adjusting screw to the right.

**b:**  
To adjust the door towards the right hand side - turn the adjusting screw to the left.

### Adjusting the doors forwards/backwards.

**a:**  
Loosen the fixing screw.

**b:**  
Push the cup hinge/the door forwards or backwards to adjust.

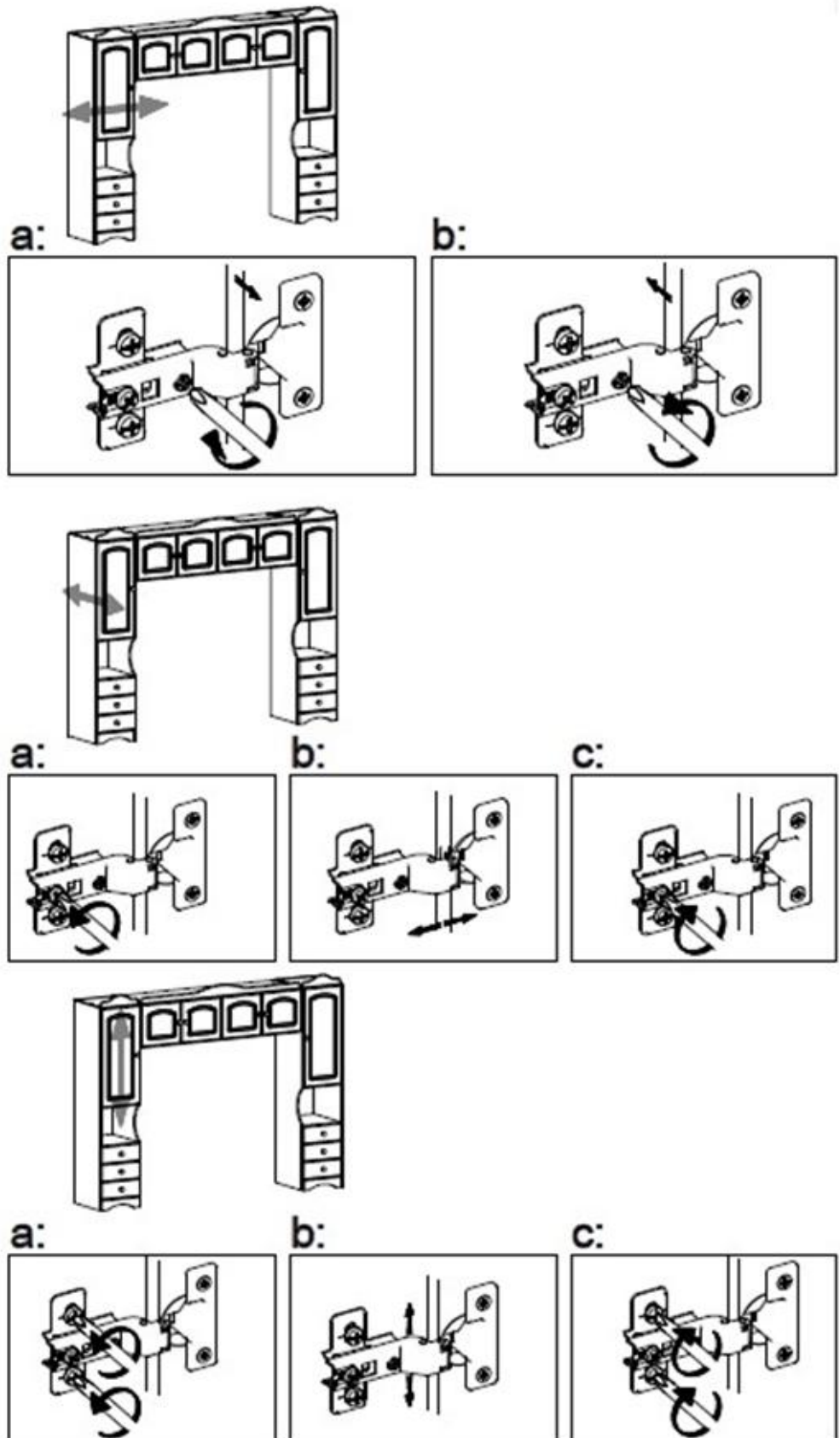
**c:**  
Tighten the fixing screws of ALL the crossplates.

### Adjusting the doors up/down.

**a:**  
Loosen the two pre-mounted screws of each crossplates, BUT ONLY as much as it will allow the crossplates to move up and down.

**b:**  
Push the door up or down to adjust.

**c:**  
Tighten the pre-mounted screws of ALL crossplates.



If you need help or have damaged or missing parts, **call the Customer Helpline: 0845 640 30 30**  
Home Retail Group - 489-499 Avebury Boulevard - Saxon Gate West - Central Milton Keynes MK9 2NW