

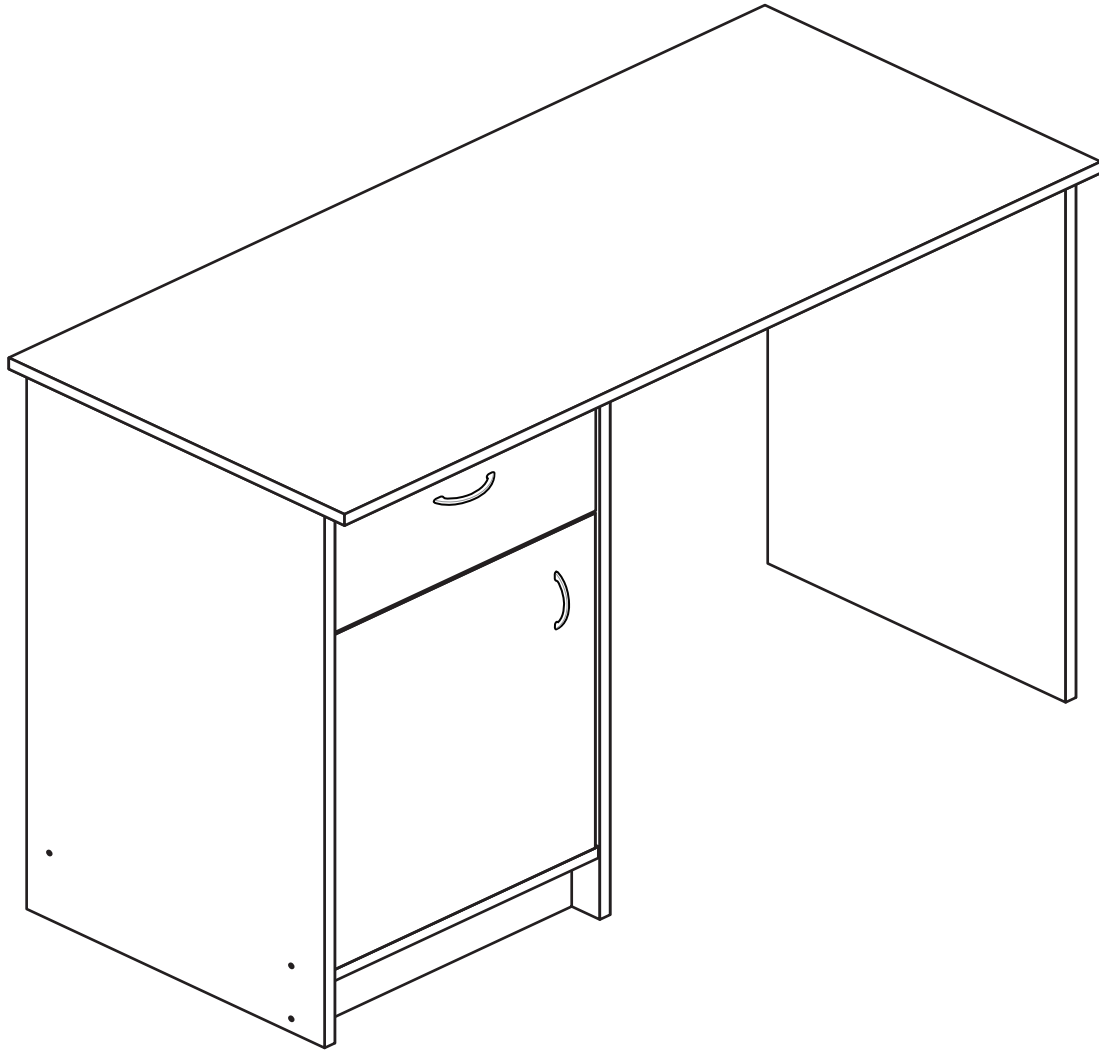
Tyler - Desk

Assembly Instructions - Please keep for future reference

161/5683

170/7553

151/7451



Dimensions

Width - 100cm

Depth - 45cm

Height - 72cm



**MADE IN
BRITAIN**

Important - Please read these instructions fully before starting assembly

If you need help or have damaged or missing parts, call the **Customer Helpline: 08456 400800**



Safety and Care Advice

Important - Please read these instructions fully before starting assembly

- **Warning:** This unit weighs approximately 22kgs. Please lift with care.

- Check you have all the components and tools listed on pages 2 and 3.

- Remove all fittings from the plastic bags and separate them into their groups.

- Keep children and animals away from the work area, small parts could choke if swallowed.

- Make sure you have enough space to layout the parts before starting.

- Do not stand or put weight on the product, this could cause damage.

- Assemble the item as close to its final position (in the same room) as possible.

- Assemble on a soft level surface to avoid damaging the unit or your floor (use opened out unit carton).



- We do not recommend the use of power drill/drivers **for inserting screws**, as this could damage the unit. Only use hand screwdrivers.

- **Safety note:** If there is any chance of this unit being pulled over by children etc. it is recommended that the unit is secured to a wall using suitable fixings (not supplied).

- Dispose of all packaging carefully and responsibly.

Care and maintenance

- Only clean using a damp cloth and mild detergent, do not use bleach or abrasive cleaners.

- From time to time check that there are no loose screws on this unit.

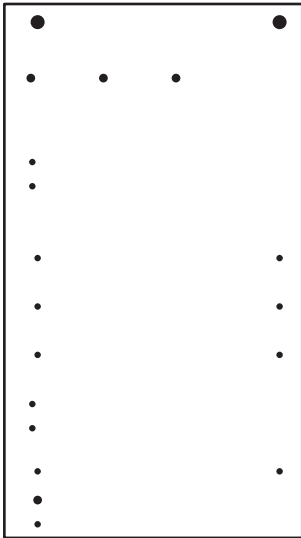
- This product should not be discarded with household waste. Take to your local authority waste disposal centre.

Note: If required the next page can be cut out and used as reference throughout the assembly. Keep this page with these instructions for future reference.

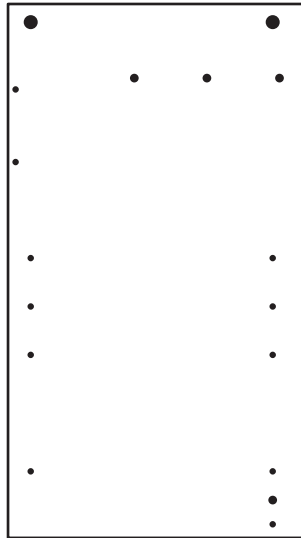
Components - Panels

If you have damaged or missing components, call the **Customer Helpline: 08456 400800** quoting the reference numbers below

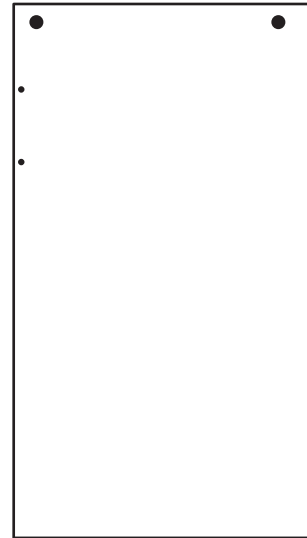
Please check you have all the panels listed below



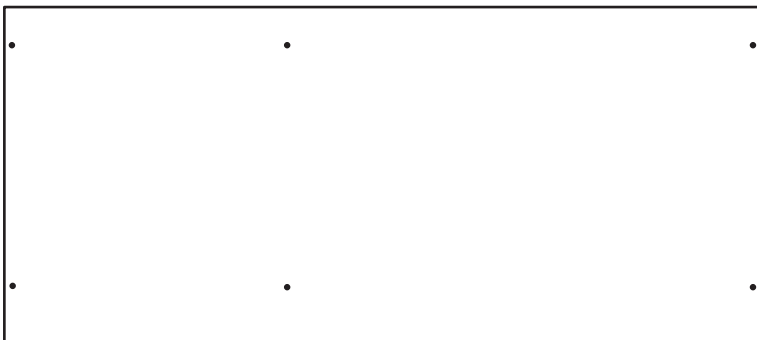
1 Left Side (D0283A)
(706 x 394mm)



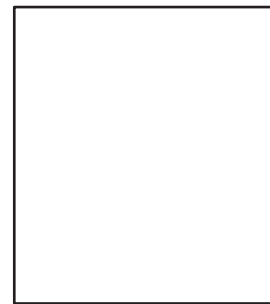
2 Upright (D0278A)
(706 x 394mm)



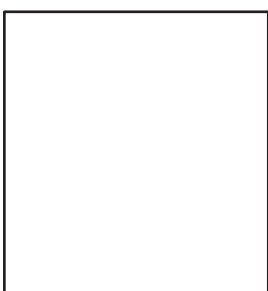
3 Right Side (D0276A)
(706 x 394mm)



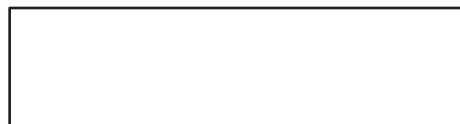
4 Top (D0275A)
(1000 x 444mm)



5 Base (D0282A)
(349 x 392mm)



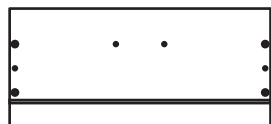
6 Shelf (D0285A)
(349 x 373mm)



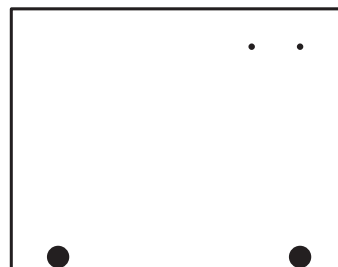
7 Modesty (D0277A)
(602 x 157mm)



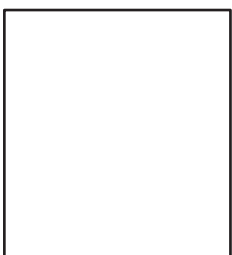
8 Plinth (D0022A)
(349 x 80mm)



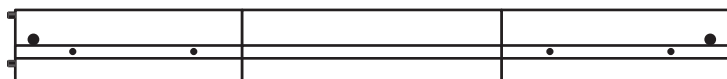
9 Drawer Front (D0284A)
(345 x 157mm)



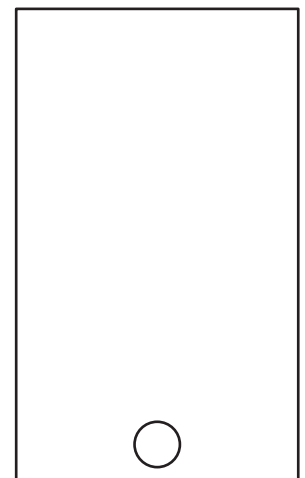
12 Door (D0288A)
(443 x 345mm)



10 Drawer Base (T161)
(299 x 330mm)



11 Drawer Wrap (W161)
(943 x 95mm)



13 Back (X725)
(626 x 373mm)

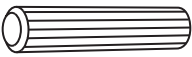
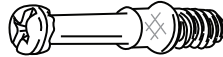
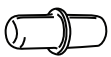





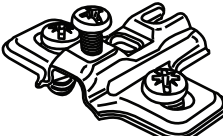

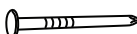

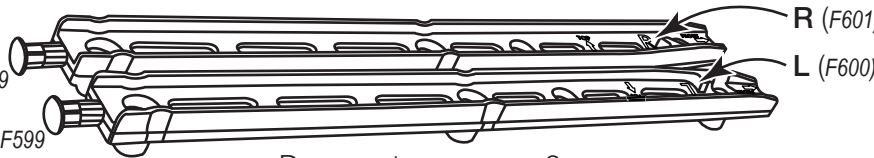
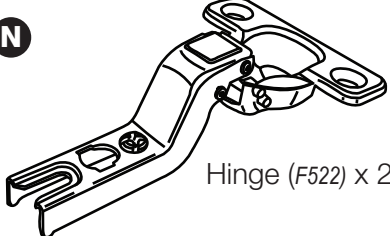


Components - Fittings

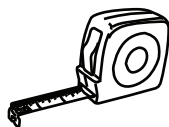
If you have damaged or missing components, call the **Customer Helpline: 08456 400800** quoting the reference numbers below

Please check you have all the fittings listed below

Note: The quantities below are the correct amount to complete the assembly. In some cases more fittings may be supplied than are required.

<p>A </p> <p>Wooden dowel (F22) x 2</p>	<p>B </p> <p>Metal dowel (F901) x 8</p>	<p>C </p> <p>Shelf stud (F110) x 4</p>
<p>D </p> <p>Handle (F1091) x 2</p>	<p>E </p> <p>Large locking nut (F900) x 6</p>	<p>F </p> <p>Small locking nut (F3) x 2</p>
<p>G </p> <p>40mm Screw (F910) x 10</p>	<p>H </p> <p>25mm Screw (F50) x 4</p>	<p>I </p> <p>Hinge plate (F523) x 2</p>
<p>J </p> <p>13mm Screw (F63) x 4</p>	<p>K </p> <p>Nail (F51) x 14</p>	<p>L </p> <p>Nail holder (F149) x 1</p>
<p>M </p> <p>Drawer stops (F599) x 2 Runners (F600) x 1 and (F601) x 1</p>		<p>N </p> <p>Hinge (F522) x 2</p>

Tools required



Rule



Cross-head screwdriver



Scissors

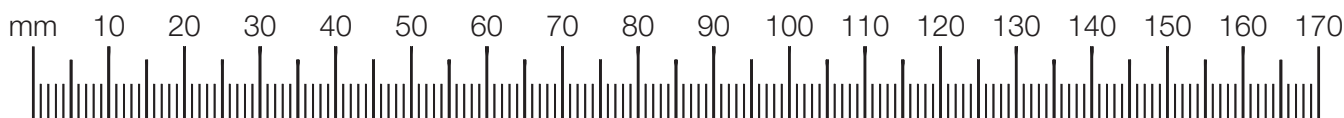


Hammer



Eye protection (when using a hammer or drill)

Ruler - Use this ruler to help correctly identify the screws



Assembly Instructions

If you have damaged or missing components, call the
Customer Helpline: 08456 400800 quoting the reference
numbers below

Step 1

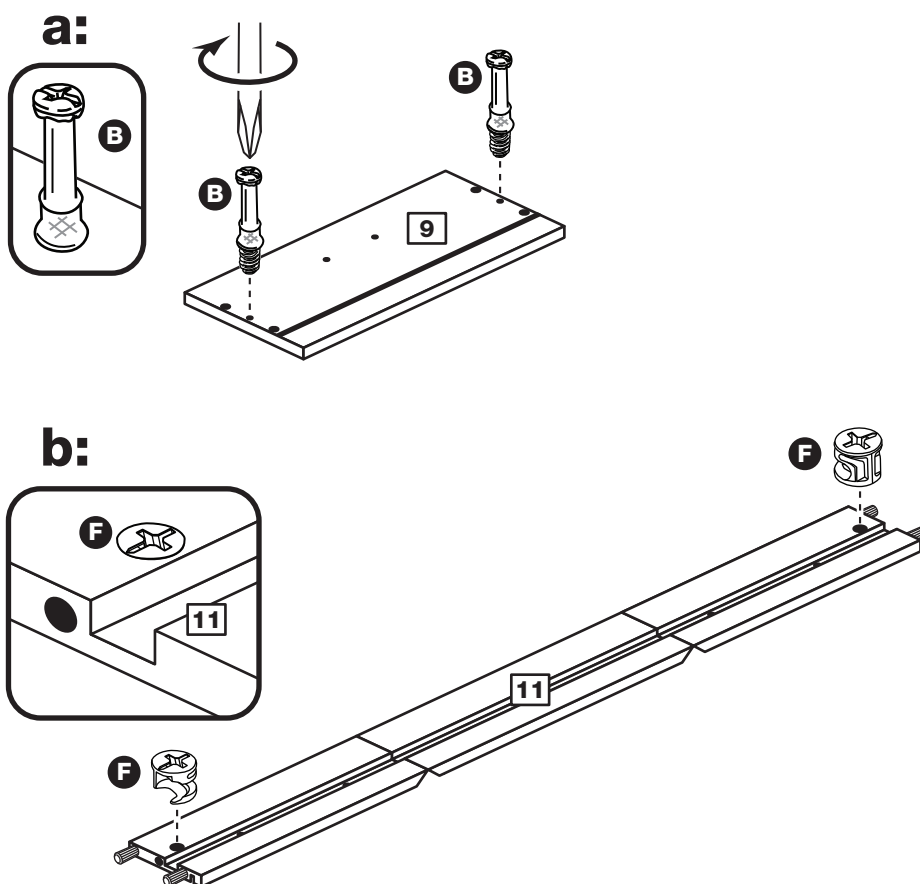
Prepare drawer front and wrap

a: Screw 2 x metal dowels **B** into the holes shown on the back of the drawer front **9**.

Note: Tighten metal dowels up fully against the panel.

b: Insert 2 small locking nuts **F** into the holes shown on the drawer wrap **11**.

Note: Arrow on locking nut **must** point towards hole in edge of panel.



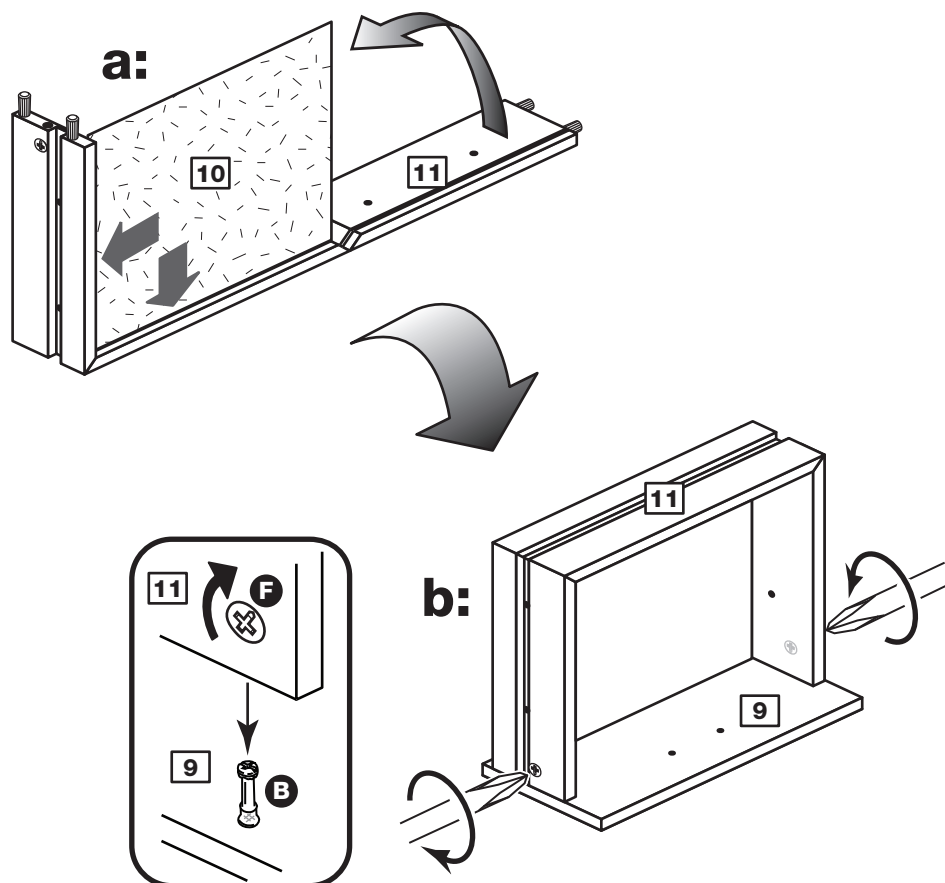
Step 2

Assemble drawer

a: Place drawer base **10** into the narrow slot on the drawer wrap **11**. Fold wrap around the base.

b: Turn drawer wrap assembly over and push onto the back of the drawer front **9**.

Note: Turn locking nuts **F** clockwise to secure panels - more than 1/2 a turn.



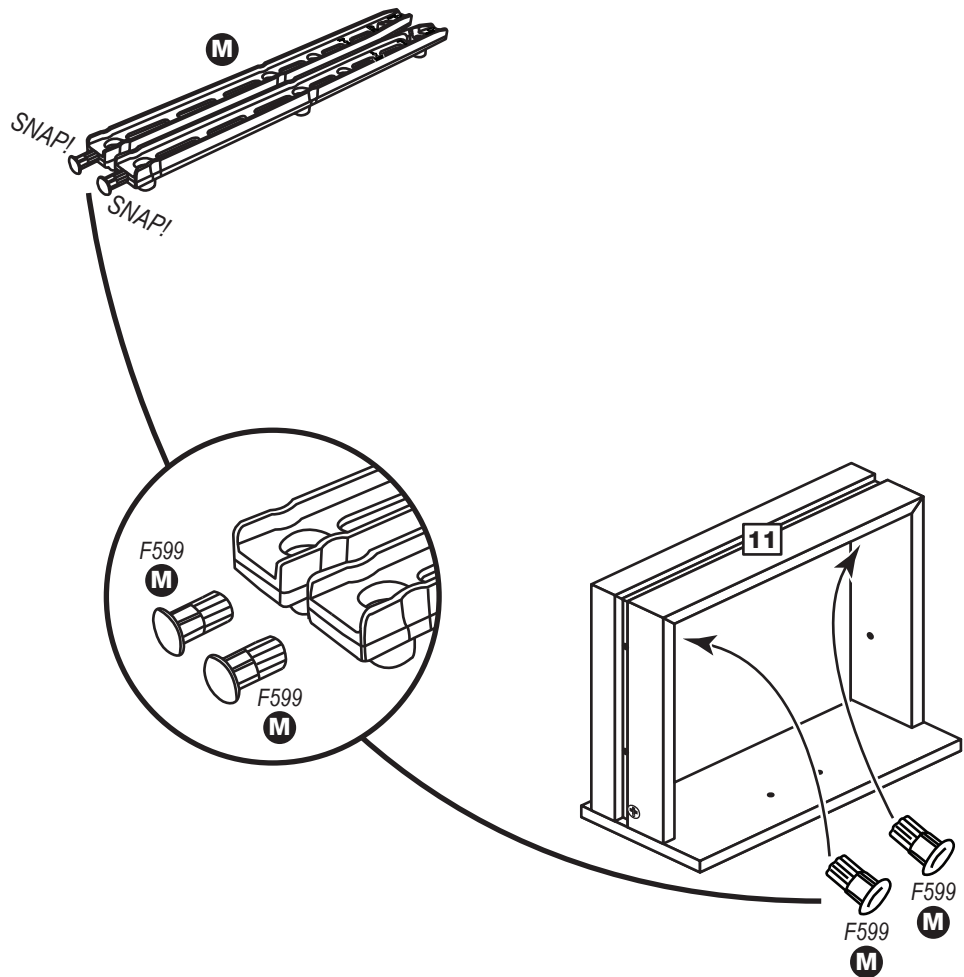
Assembly Instructions

Step 3

Attach drawer stops

Carefully break off the 2 drawer stops (F599) from the pair of drawer runners (M).

Push the drawer stops fully through the drawer wrap (11) from the inside.

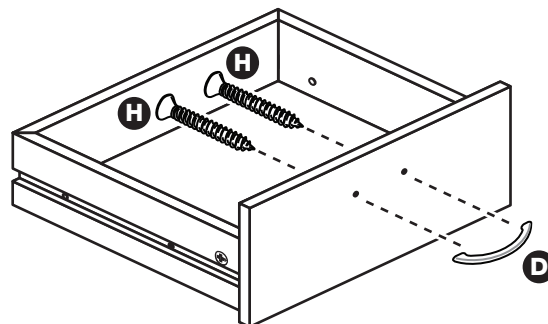


Step 4

Attach handle

Attach handle (D) to the drawer front using 2 x screws (H).

Note: Do not overtighten the screws.



Assembly Instructions

Step 5

Prepare left side and upright

Separate runners **M**.

a: Push fit left runner **M** marked 'L' into the holes shown on left side **1**.

Note: Runners must be fitted flat against the panel. If necessary gently tap into final position.

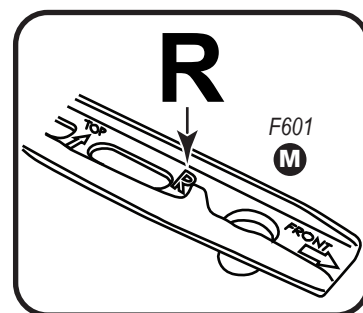
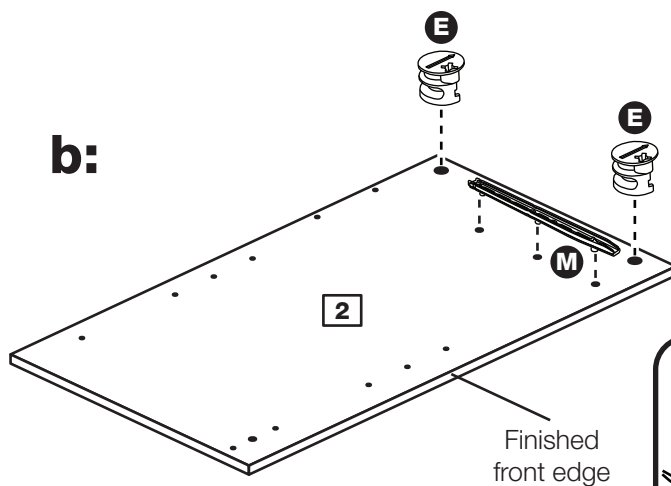
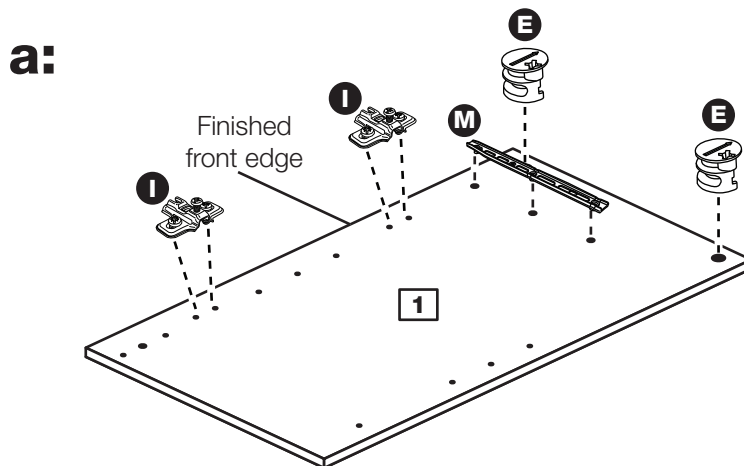
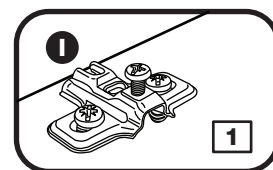
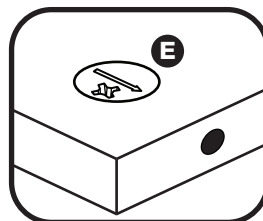
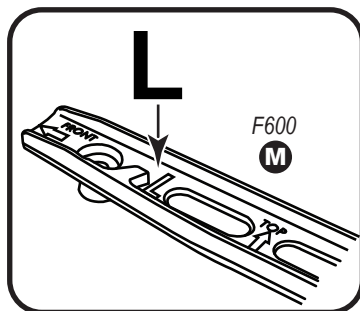
Fit hinge plates **I** making sure that the slot is facing towards the finished front edge.

Insert 2 large locking nuts **E** as shown.

Note: Arrow on locking nut **must** point towards hole in edge of panel.

b: Push fit right runner **M** marked 'R' into the holes shown on upright **2**.

Insert 2 large locking nuts **E** as shown.

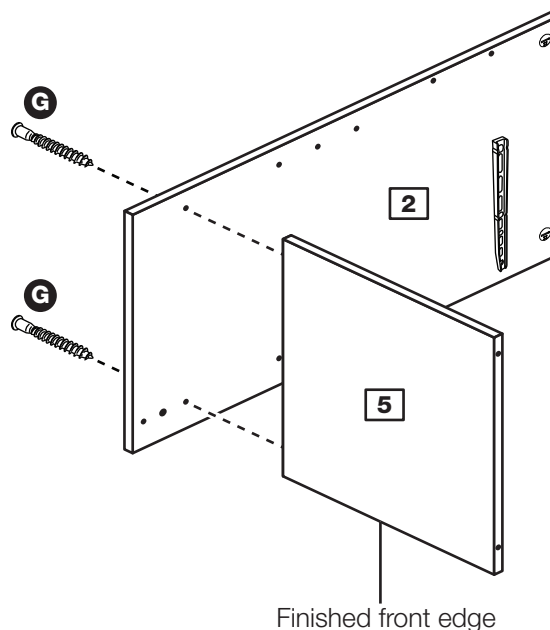


Assembly Instructions

Step 6

Fit base to the upright

Attach base **5** to the upright **2** using 2 x screws **G**.

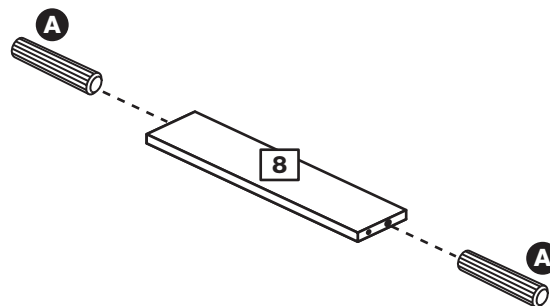
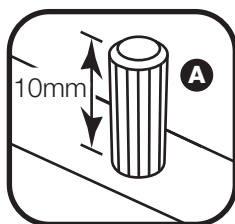


Step 7

Prepare plinth

Tap 2 wooden dowels **A** into the ends of the plinth **8**.

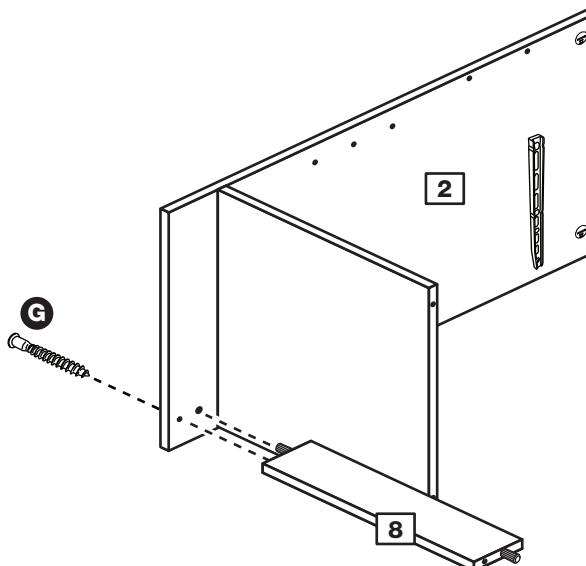
Note: Wooden dowels **must not** stick out from the edge by more than 10mm or they may damage other panels.



Step 8

Fit plinth to the upright

Attach plinth **8** to the upright **2** using the dowel already fitted and secure with screw **G**.

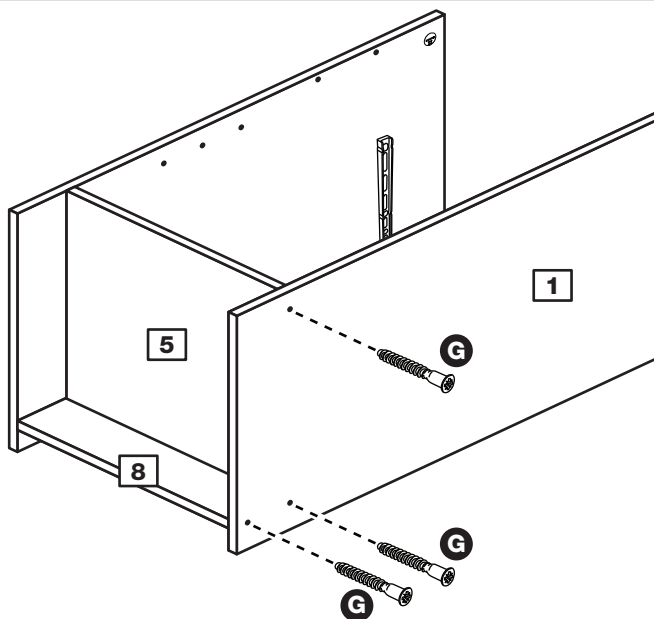


Assembly Instructions

Step 9

Fit left side

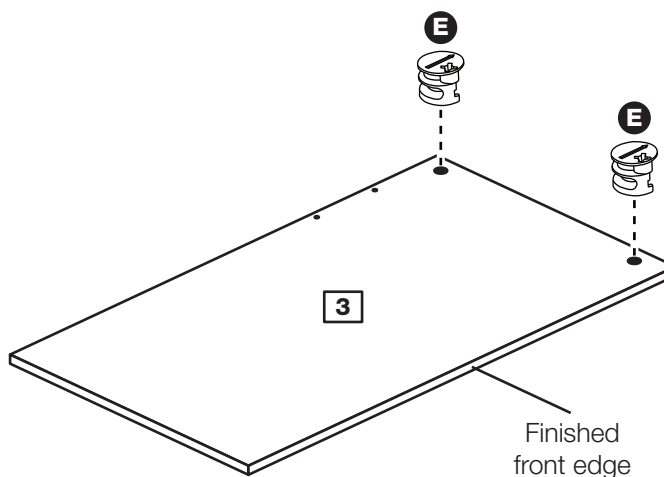
Attach left side **1** to the base **5** and plinth **8** using 3 x screws **G**.



Step 10

Prepare right side

Insert 2 large locking nuts **E** into the right side **3**.



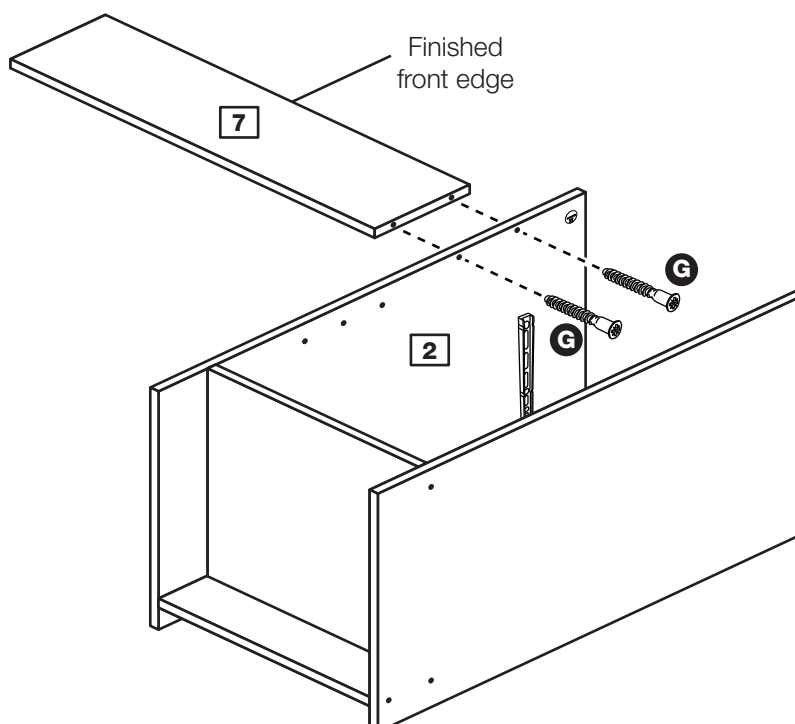
Step 11

Fit modesty

2 people are needed here

Attach modesty **7** to the upright **2** using 2 x screws **G**.

Support the modesty until the right side has been fitted in the next stage.



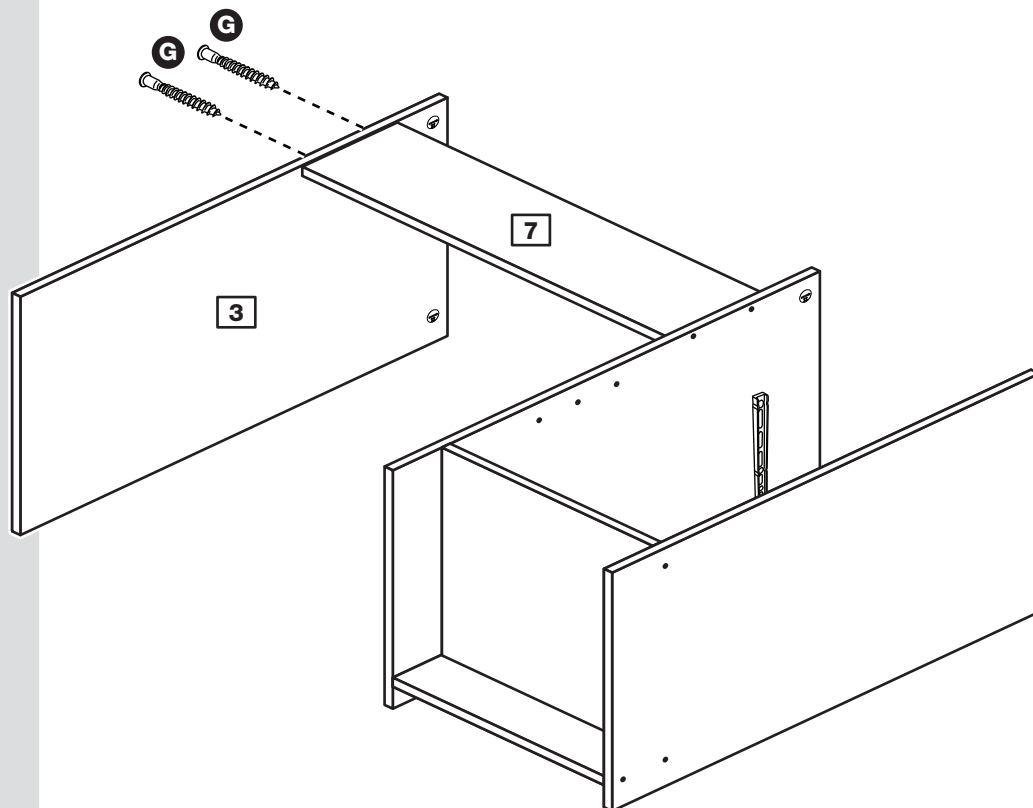
Assembly Instructions

Step 12

Fit right side

2 people are needed here

Attach right side **3** to the modesty **7** using 2 x screws **G**.

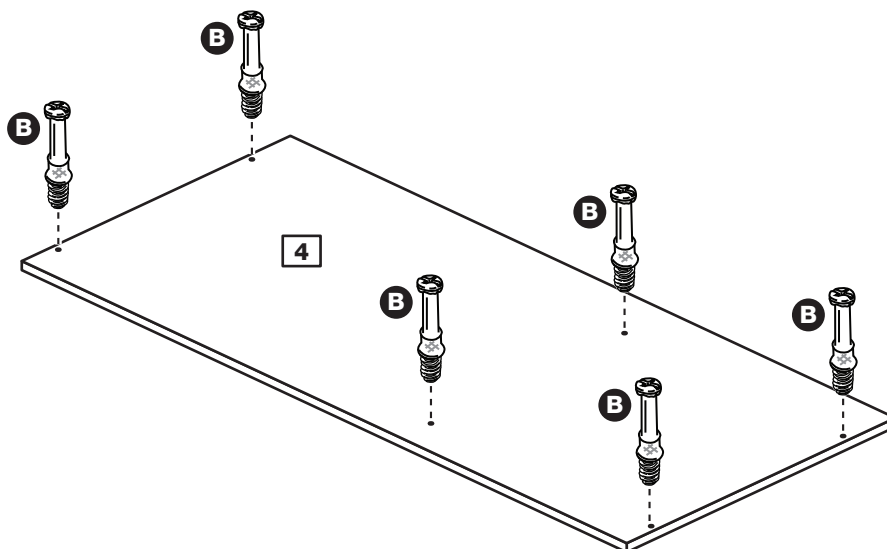


Step 13

Prepare top panel

a: Screw 6 x metal dowels **B** into the holes on the top **4**.

Note: Tighten metal dowels up fully against the panel.



Assembly Instructions

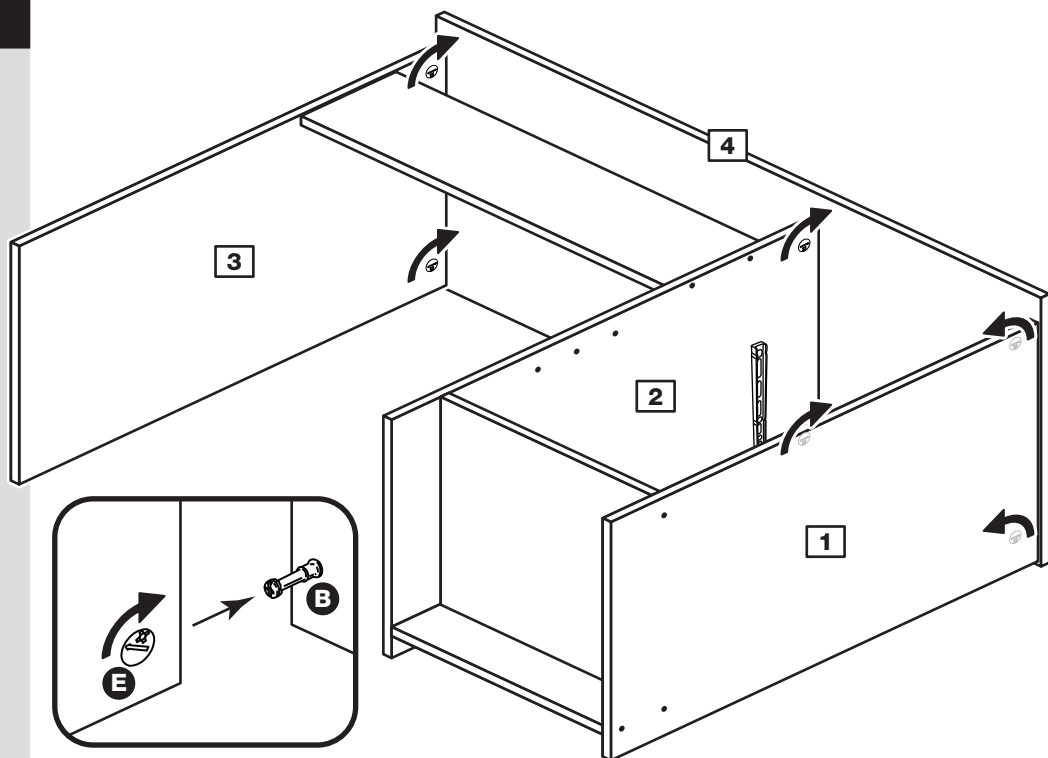
Step 14

Fit top

Push the 6 metal dowels **B** fitted to the top **4** down into the holes in the top edge of the side and upright panels.

Use a screwdriver to tighten the 6 large locking nuts **E** fitted to the side and upright panels **1**, **2** and **3**.

Note: Turn the large locking nuts **E** as far as they will go - more than 1/2 a turn.



Step 15

Fit back panel

2 people are needed here

Square up the unit by making sure that measurement **x:x** equals **y:y**.

Place the back **13** down onto the unit, as shown.

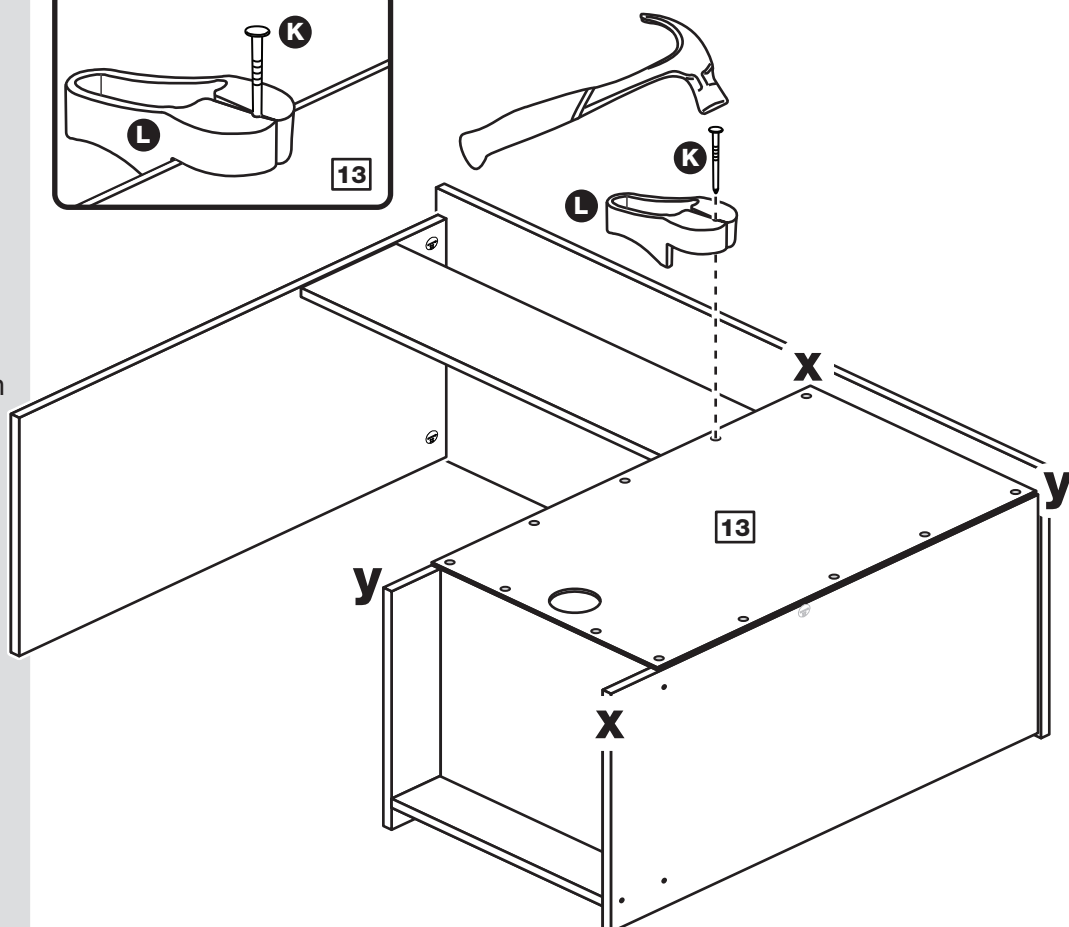
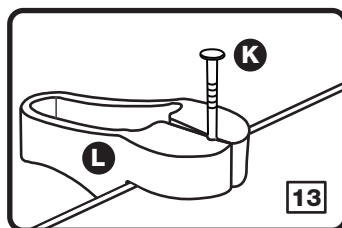
Use the nail guide **L** to hold the nails **K** vertical and at the correct distance whilst you nail around the outside of the back **13**.

Note: Nails should be spaced about 150mm apart.

Stand the unit up.



Warning: The desk is heavy. Lift with care.



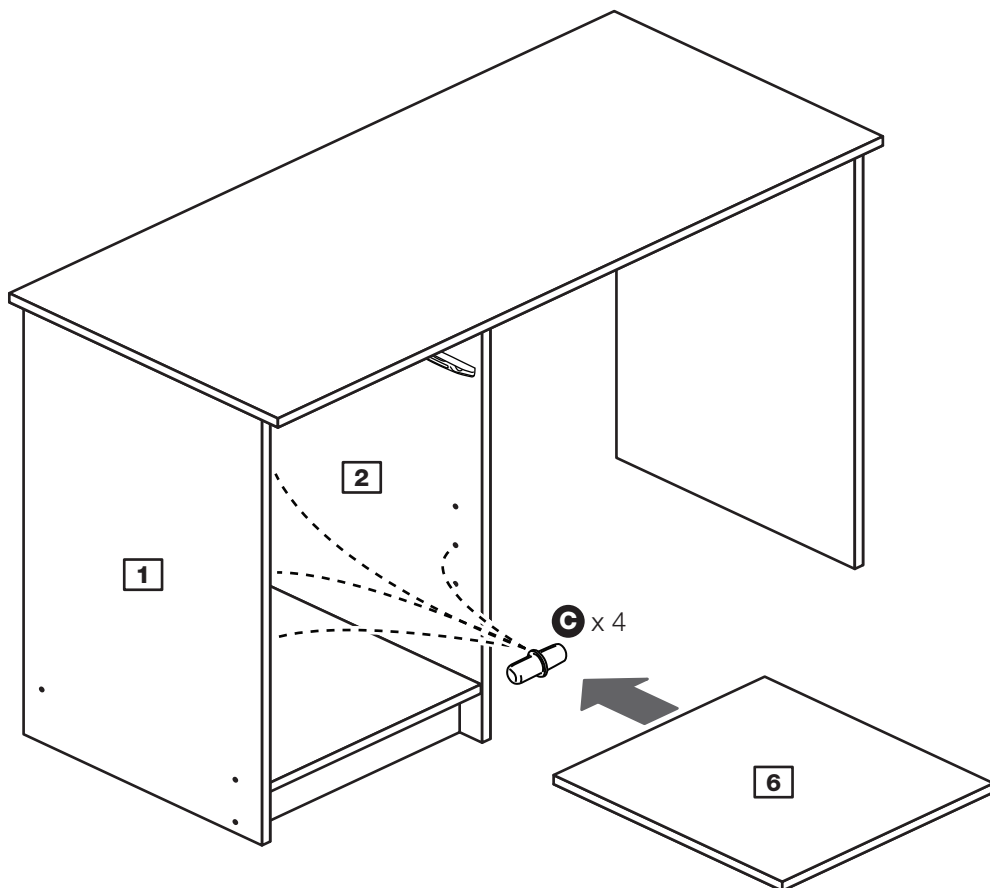
Assembly Instructions

Step 16

Fit shelf studs

Insert 4 shelf studs **C**, at the required height, into the holes on the left side **1** and upright **2**.

Slide the shelf **6** in to rest on top of the 4 shelf studs.



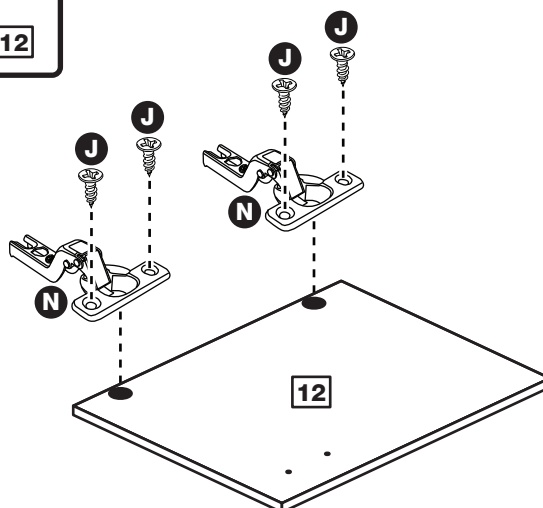
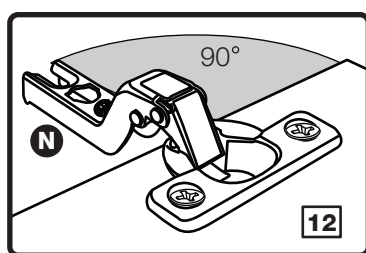
Step 17

Prepare door

Push fit the hinges **N** into the door **12**.

Secure each hinge with 2 x screws **J**.

Note: Before securing with the screws, make sure that the hinges are positioned at 90 degrees with the back edge of the door.



Assembly Instructions

Step 18

Fit door and handle

2 people are needed here

Note: The easiest way to attach the door **12** is to fit the top hinge first, then align and fit the bottom hinge.

a: Push the hinge **N** onto the front part of the hinge plate **I**.

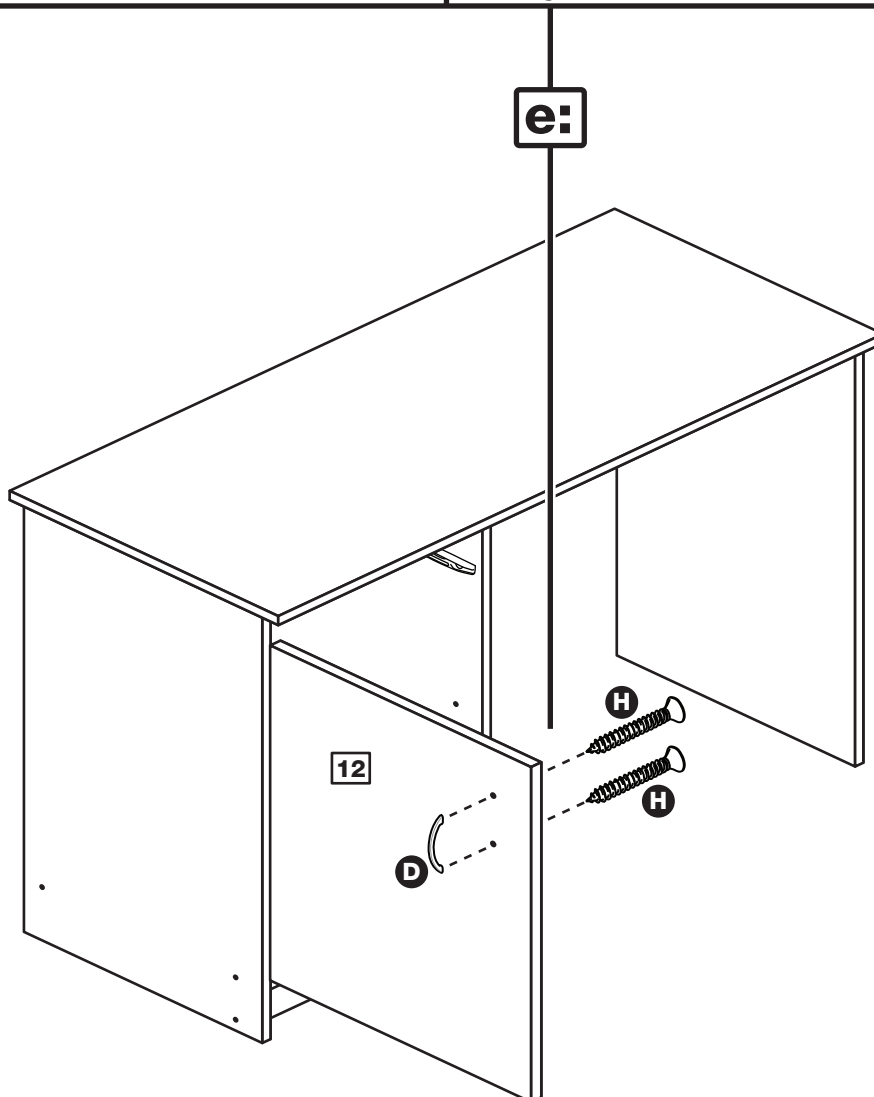
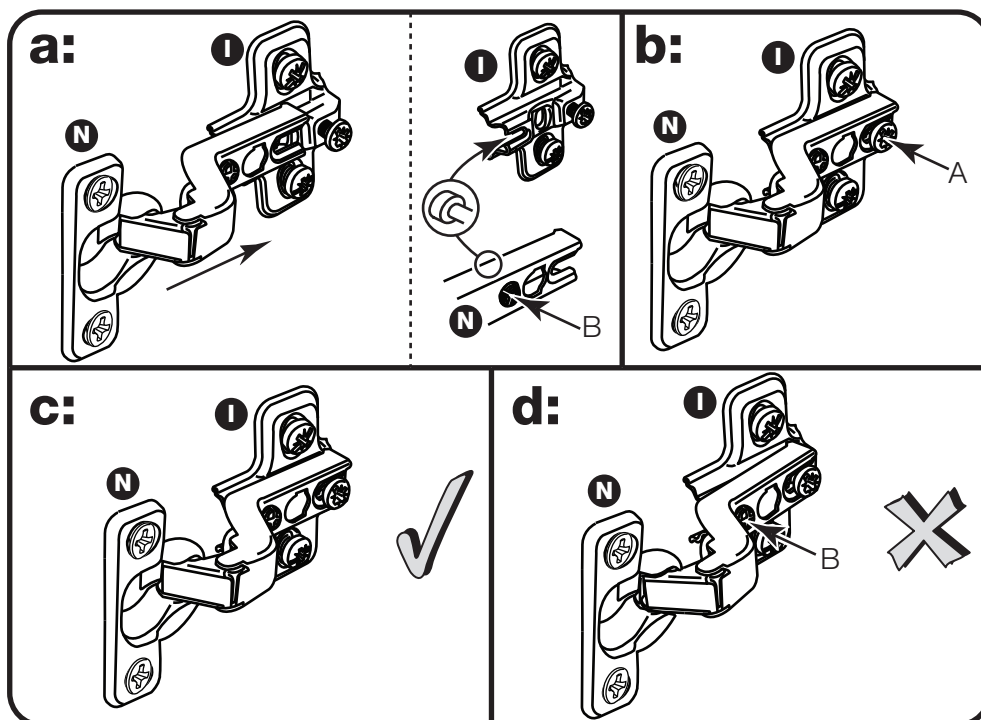
b: Keep the hinge **N** FLAT against the hinge plate **I** as you slide it across as far as it will go. Tighten screw A.

c: The hinge **N** must be flat against the hinge plate **I** prior to any adjustment.

d: The hinge **N** must NOT be AT AN ANGLE to the hinge plate **I** when assembled. This would indicate that the recess at the bottom of screw B had not located in the slot in the hinge plate and the hinge would not be secure. Remove the hinge from the hinge plate and then re-assemble being careful to follow instructions a-c.

e: Attach the handle **D** to the door using 2 x screw **H**.

Note: Do not overtighten screws H.



Assembly Instructions

Step 19

Adjust the door if needed

a: Before adjusting the door, use a spirit level to check the top (or base) of the unit is level, front-to-back and side-to-side in the 3 positions shown. Use suitable packing pieces (not supplied) to make the unit level BEFORE making any adjustment to the hinges, as shown.

b: Height adjustment.

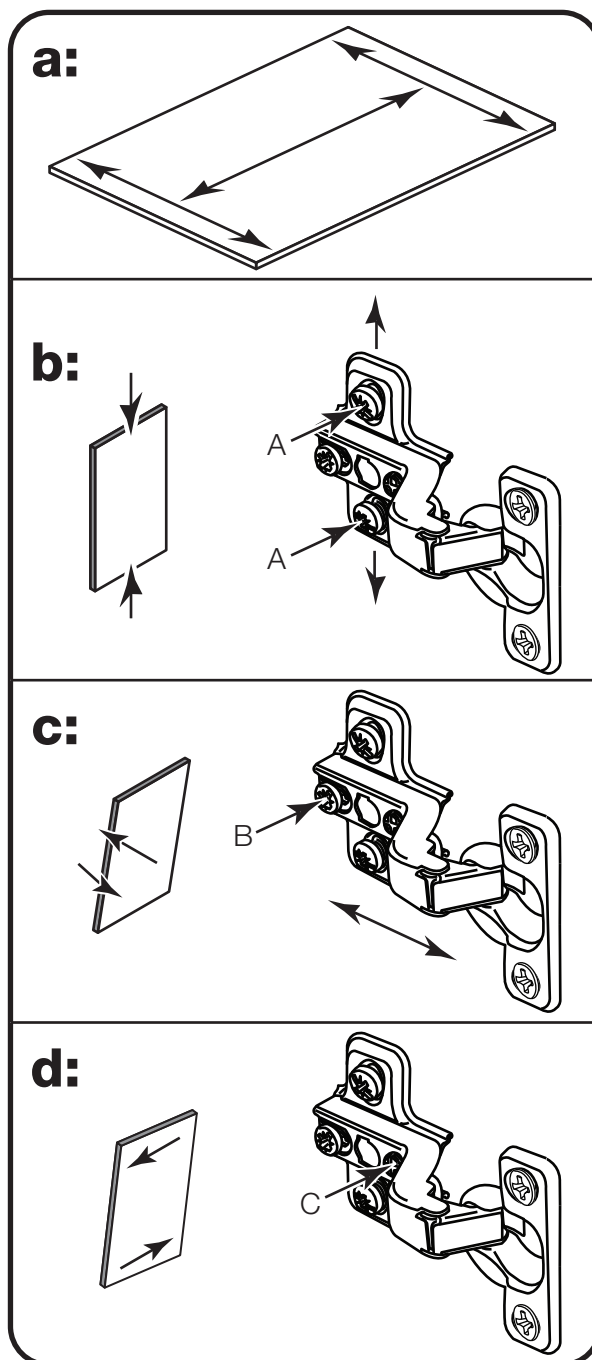
Loosen screws A on hinge plates and move door up or down as required. Retighten screw A.

c: Forward and Back adjustment.

Loosen screw B on hinge plate and move door in or out as required. Retighten screw B.

d: Sideways adjustment.

To move door 'out' loosen screw C. To move door 'in' tighten screw C.



Assembly Instructions

Step 20

Insert drawer

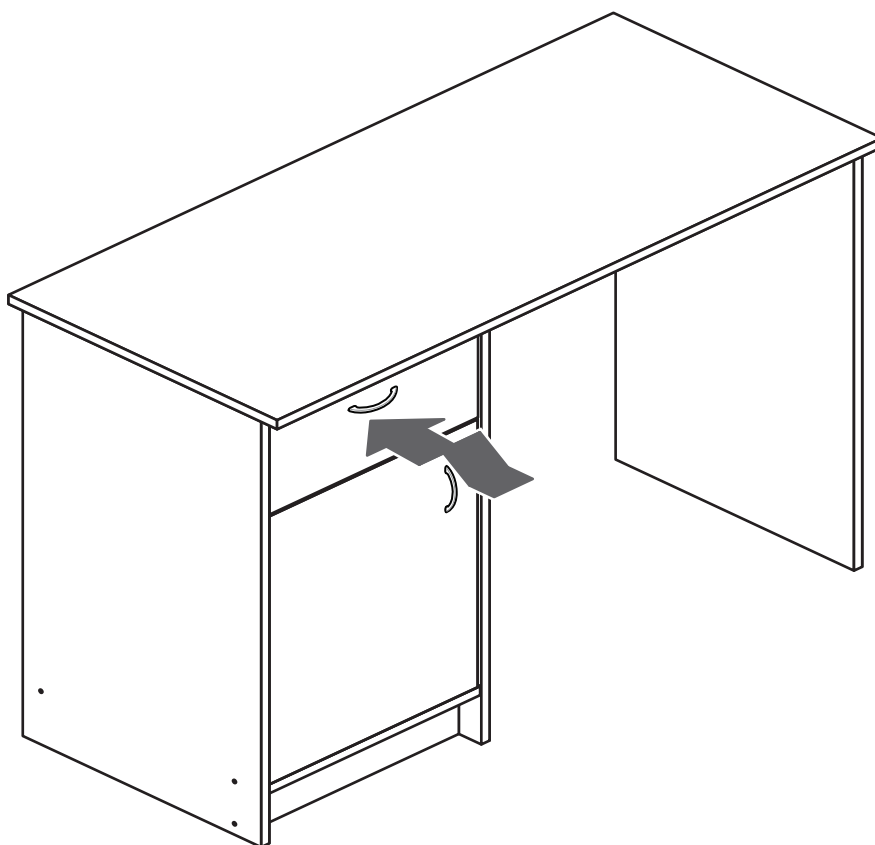
Lift front of drawer whilst inserting to overcome the 'stop' system.

Note: To ensure that your drawer runs smoothly, spray a small amount of furniture polish into the grooves.



Warning: The desk is heavy. Lift with care.

Assembly is complete



If you need help or have damaged or missing parts, call the **Customer Helpline: 08456 400800** and quote the reference numbers on the component pages.

Argos Ltd, 489-499 Avebury Boulevard, Central Milton Keynes, MK9 2NW

