



In-car radio With CD Instruction manual

ICS105





ALBA

ICS105 Instruction Manual

Congratulations on purchasing the Alba ICS-105 In-Car Head Unit. We trust that this product will give you hours of listening pleasure, and provide years of unparalleled performance. As with any new electrical product please be patient and allow 36 hours of use before all components have acclimatized themselves with your surroundings and found their optimum working temperature.

Please read these instructions before you install or operate the unit. Please retain these instructions. Manufacturer of this unit follows a principle of constant improvement and is not held responsible for any changes that are made to the unit nor accepts any liabilities for these changes. A fitting service is available if required, leaflet enclosed.

GLOSSARY

FM Frequency Modulated Audio Broadcasting

RDS Radio Data System

SNR Signal to Noise Ratio

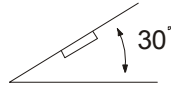
CONTENTS

Installation	3		
Take out screw before installation	3		
DIN Front-Mount (Method A)	3		
Installing the unit	3		
Removing the unit	5		
DIN Rear-Mount (Method B)	5		
Using the detachable front panel	6		
Wiring Connection	7		
Location of keys	8		
Basic operation	9		
Switching on/off the unit	9		
Faceplate release	9		
Sound adjustment	9		
System setting	9		
Loudness	10		
Set the clock	10		
Display information	10		
Equalization	10		
ESP function	10		
Auxiliary input	10		
Reset function	10		
		Switching to radio mode	11
		Selecting the frequency band	11
		Selecting station	11
		Automatic memory storing and program scanning	11
		Station storing	11
		RDS operation	12
		CD operation	12
		Switching to CD mode	12
		Selecting tracks	12
		Pausing playing	12
		Previewing tracks	12
		Repeating tracks	12
		Playing tracks in random	12
		Ejecting a disc	12
		Disc notes	13
		Specification	13
		Trouble shooting	14
		Contact details	14
		Product Guarantee	15

INSTALLATION

Notes:

- Choose the mounting location where the unit will not interfere with the normal driving function of the driver.
- Before finally installing the unit, connect the wiring temporarily and make sure it is all connected up properly then check that the unit and the system work properly.
- Use only the parts included with the unit to ensure proper installation. The use of unauthorised parts can cause malfunctions.
- Consult with your nearest dealer if installation requires the drilling of holes or other modifications of the vehicle.
- Install the unit where it does not get in the driver's way and cannot injure the passenger if there is a sudden stop, like an emergency stop.
- If installation angle exceeds 30° from horizontal, the unit might not give its optimum performance.



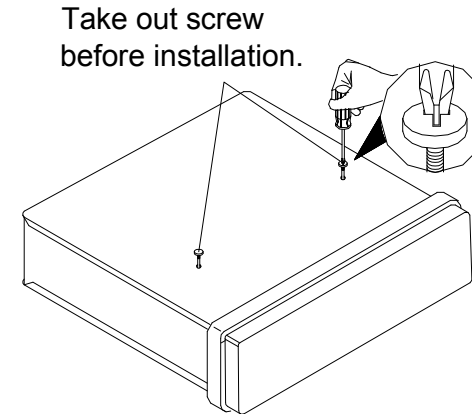
- Avoid installing the unit where it would be subject to high temperature, such as from direct sunlight, or hot air, from the heater, or where it would be subject to dust, dirt or excessive vibration.

DIN FRONT/REAR-MOUNT

This unit can be installed either from "Front" (conventional DIN Front-mount) or "Rear" (DIN Rear-mount installation, utilizing threaded screw holes at the sides of the unit chassis). For details, refer to the following illustrated installation methods.

TAKE OUT TRANSPORT SCREWS BEFORE INSTALLATION

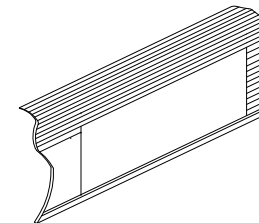
Before installing the unit, please remove the two transport screws as indicated in the following diagram.



DIN FRONT-MOUNT (Method A)

Installation Opening

This unit can be installed in any dashboard having an opening as shown below:



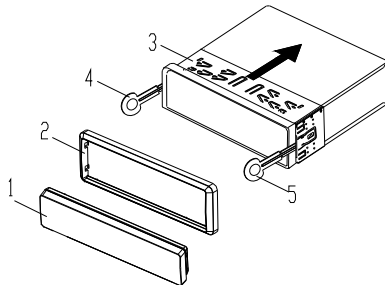
Installing the unit

Be sure you test all connections first, and then follow these steps to install the unit.

1. Make sure the ignition is turned off, and then disconnect the cable from the vehicle battery's negative (-) terminal.

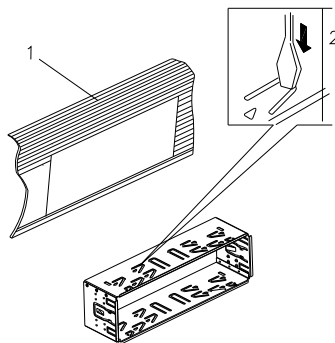
INSTALLATION

2. Press the release button on the front panel and remove the control panel (see the steps of "removing the front panel").
3. The outer trim ring is secured to the radio by side clips. Lift off the outer trim ring in a horizontal direction from one of its sides to release the clips.
4. The two supplied keys release the tabs inside the unit's sleeve so you can remove it. Insert the keys as far as they will go (with the notches facing up) into the appropriate slots at the middle left and right sides of the unit. Then slide the sleeve off the back of the unit.



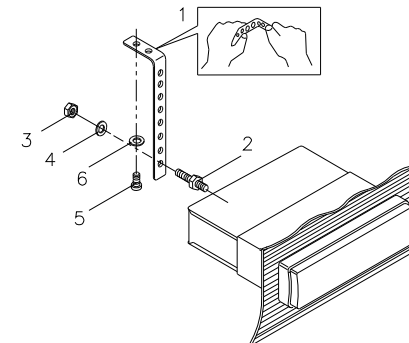
(1) Front panel; (2) Outer trim ring; (3) Sleeve; (4) L key; (5) R key

5. Mount the sleeve by inserting it into the opening of the dashboard and bend over the tabs located around the sleeve with a screwdriver. Not all tabs will be able to make contact, so examine which ones will be most effective. Bending over the appropriate tabs behind the dashboard to secure the sleeve in place.



(1) Dashboard (2) Tabs

6. Connect the wire harness and the antenna and be careful not to pinch any wires or cables.
7. Slide the unit into the sleeve until it locks into place.
8. To further secure the unit, use the supplied metal strap to secure the back of the unit in place. Use the supplied hardware (M5 Hex Nut and Spring Washer) to attach one end of the strap to the mounting bolt on the back of the unit. If necessary, bend the metal strap to fit your vehicle's mounting area. Then use the supplied hardware (self-tapping screw and plain washer) to attach the other end of metal strap to a solid metal part of the vehicle under the dashboard. This strap also helps ensure proper electrical grounding of the unit.
Note: - Install the short thread end of the mounting bolt to the back of the unit and the long thread end to the dashboard.



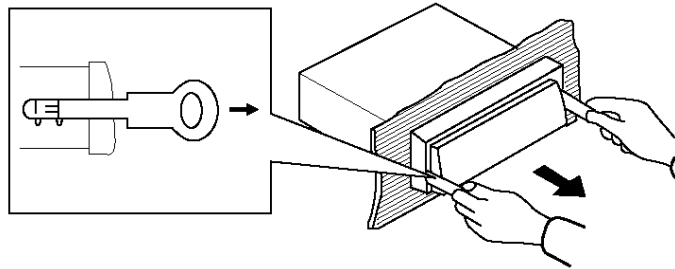
(1) Metal Strap; (2) Mounting Bolt; (3) Hex Nut;
(4) Spring Washer; (5) Self Tapping Screw; (6) Plain Washer

10. Reconnect the cable to the vehicle battery's negative (-) terminal. Then replace the outer trim ring and install the unit's front panel (see the steps of "Installing the front panel").

INSTALLATION

Removing the unit

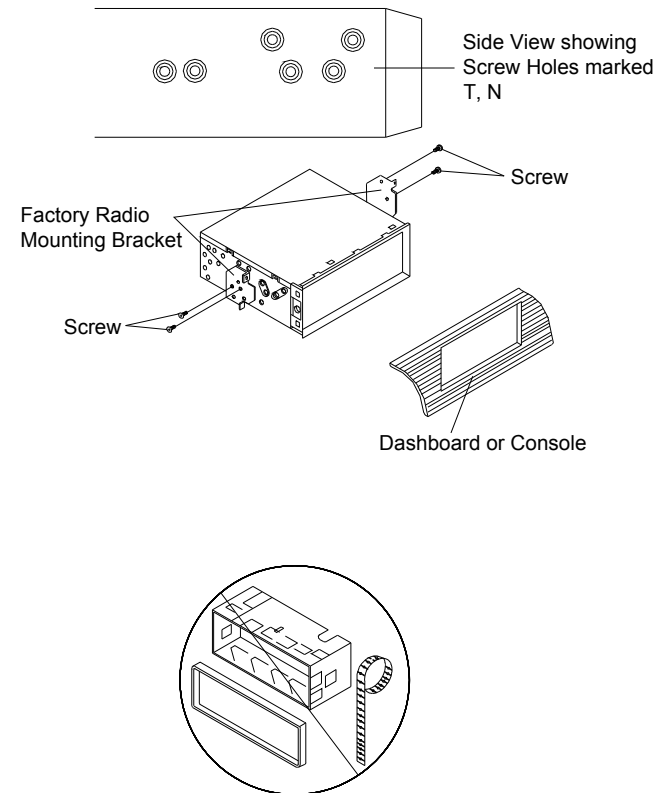
1. Make sure the ignition is turned off, and then disconnect the cable from the vehicle battery's negative (-) terminal.
2. Remove the metal strap attached the back of the unit (if attached).
3. Press the release button to remove the front panel.
4. The outer trim ring is secured to the radio by side clips. Lift off the outer trim ring in a horizontal direction from one of its sides to release the clips.
5. Insert both of the supplied keys into the slots at the middle left and right sides of the unit then pull the unit out of the dashboard.



DIN REAR-MOUNT (Method B)

If your vehicle is a Nissan, Toyota, follow these mounting instructions.

Use the screw holes marked T (Toyota), N (Nissan) located on both sides of the unit to fasten the unit to the factory radio mounting brackets supplied with your vehicle.



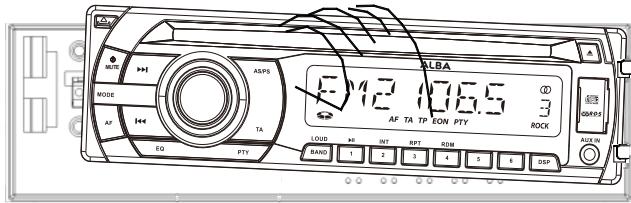
To fit the unit into the factory radio mounting brackets.

Align the screw holes on the bracket with the screw holes on the unit, and then tighten the screws (5x5mm) on each side.

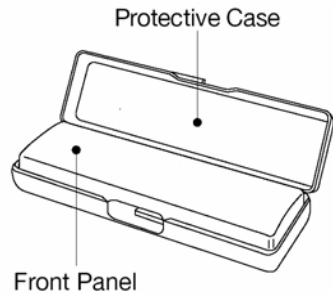
Note: The outer trim ring, sleeve and the metal strap are not used for method B installation.

DETACHABLE CONTROL PANEL (DCP)

REMOVING THE FRONT PANEL

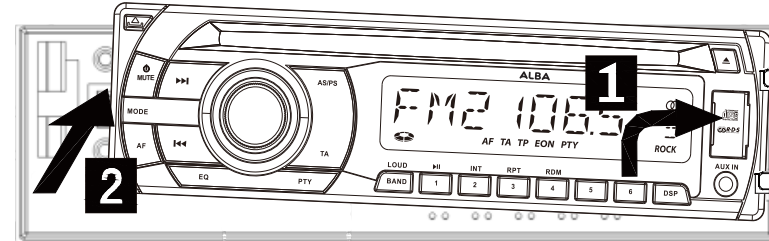
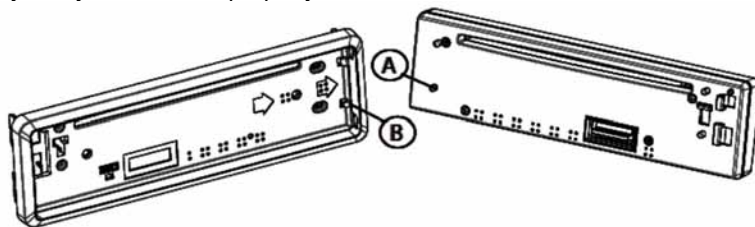


1. Turn the Power Off
 2. Press the DCP release button.
 3. Re move the DCP
- Keep front panel in the protective case.



INSTALLING THE FRONT PANEL

To install the front panel, insert the panel into the housing and make sure the panel is properly installed. Otherwise, abnormalities may occur on the display or some keys may not function properly.



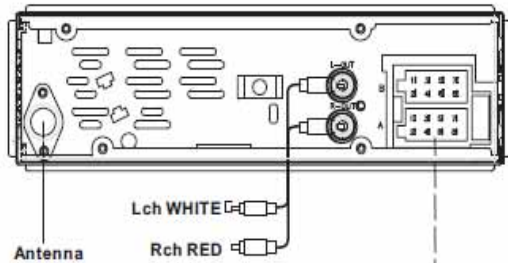
1. Attach the panel at the right side first, at point 1 on the main unit while holding the DCP at point 2 (as shown on the diagram).
2. Then press the left side of the DCP back onto the main unit until a “click” sound is heard.

PRECAUTIONS WHEN HANDING

1. Do not drop the front panel.
2. Do not put pressure on the display or control buttons when detaching or re-installing the front panel.
3. Do not touch the contacts on the front panel or on the main unit body. It may result in poor electrical contact.
4. If any dirt or foreign substances adhere to the contacts, they can be removed with a clean dry cloth.
5. Do not expose the front panel to high temperatures or direct sunlight.
6. Avoid any volatile agents (e.g. benzene, thinner or insecticides) from touching the surface of the front panel.
7. Do not attempt to disassemble the front panel.

WIRING CONNECTIONS

FOR 4 x 40W SYSTEM



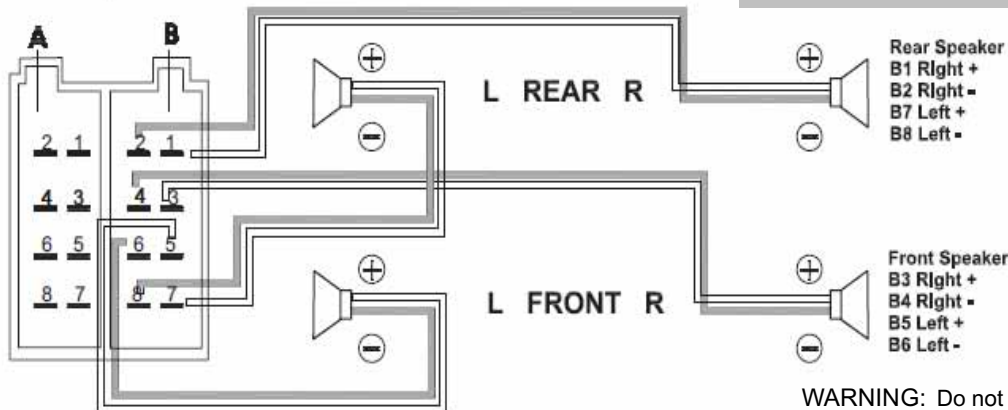
Please use the diagram below as an aid in wiring the ICS-104 head unit into your vehicle

A4 +12VDC constant power input required for memory back up. (Yellow)

A5 +12VDC output power to control external amp or antenna (Blue)

A7 +12VDC power from ignition feed for switched power (Red)

A8 -12VDC supply (negative/negative earth) (Black)



* Cables not supplied

⚠ CAUTION

12V DC NEGATIVE GROUND

Do not connect any speaker wires to the metal body or chassis of the vehicle

Do not connect the speaker common (-) wires to each other

Never bridge or combine the speaker wire outputs, take care not to short out speaker wires to each other

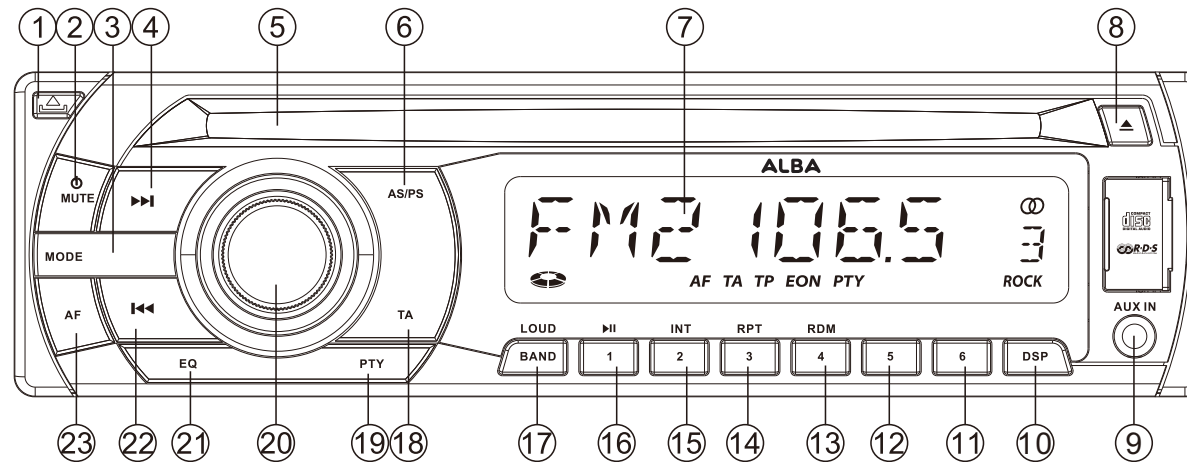
Connect each speaker wire directly to each speaker terminal

WARNING: Do not interchange the connections of the wiring.

Some car models may require special additional power harness.

Contact your authorised car dealer before installing this unit.

Location OF KEYS






Descriptions of Function Controls

- | | |
|---------------------------|-----------------|
| 1. ▲ (DCP release button) | 13. 4 / RDM |
| 2. POWER/ MUTE | 14. 3 / RPT |
| 3. MODE | 15. 2 / INT |
| 4. ►► | 16. 1 / ► |
| 5. disc slot | 17. BAND / LOUD |
| 6. AS / PS | 18. TA |
| 7. LCD | 19. PTY |
| 8. ▲ (Eject button) | 20. VOL / SEL |
| 9. AUX IN | 21. EQ |
| 10. DSP | 22. ◄◄ |
| 11. 6 | 23. AF |
| 12. 5 | |

BASIC OPERATION

TURNING ON/OFF THE UNIT

Press any key (except  and  button) to turn on the unit. When the system is on, press and hold the /MUTE button (2) to turn off the unit.

FACEPLATE RELEASE

Press  button (1) to detach the removable faceplate.

SOUND ADJUSTMENT

Press the **SEL** button (20) briefly to select the desired adjustment mode. The adjustment mode will change in the following order:

BAS → TRB → BAL → FAD
(Bass) (Treble) (Balance) (Fader)

By rotating the volume knob (20) clockwise or counter-clockwise, it is possible to adjust the desired sound quality.

SYSTEM SETTING

Press and hold the **SEL** button (20) on the front panel to enter system setting mode. Then briefly press the **SEL** button (20) to select the item you want to change and rotate the volume knob (20) to change the corresponding setting.

1) P-VOL

The max volume value when you turn on the unit. If the set volume level is lower than the value you have set, when you turn off the unit then the next time you turn on the unit the volume will maintain the last volume value. If the set volume level is higher than the value you have set, when you turn off the unit then the next time you turn on the unit the volume value will be at the max volume level you have set.

2) BEEP ON/OFF

Use the volume knob (20) to set Beep sound ON or OFF.

3) AREA EUR/USA/ASI/S-A/JPN/OIR

In radio mode, Use the volume knob (20) to set the different area frequency spacing.

4) TA ALARM/SEEK

Use the volume knob (20) to set TA ALARM or TA SEEK.

Traffic announcements

- TA SEEK: With activated TA function the unit searches for a station with traffic announcements.
- TA ALARM: No automatic station search. The unit sounds a beep tone if no traffic information is received and NO TP/TA is displayed. SEE K P I is displayed if the selected station does not transmit an RDS signal.

5) PI SOUND/MUTE

Use the volume knob (20) to set PI SOUND or PI MUTE.

Moving into an area where two stations with identical AF, but different PI code (PI = program information) are received reception will destabilise. In this situation you have two options:

- PI SOUND: To change stations the other station is played for less than one second.
- PI MUTE: The other station is muted.

6) RETUNE L/S

Use the volume knob (20) to set RETUNE L or RETUNE S.

Delay for a automatic search with traffic announcements and/or program information:

- S (short) after approx. 30 seconds;
- L (long) after approx. 90 seconds.

BASIC OPERATION

7) MASK DPI/ALL

Use the volume knob (20) to set MASK DPI or MASK ALL.

Setting to mask station during search:

- DPI : Alternative frequencies with different PI code are excluded from the search.
- ALL : Alternative frequencies with different PI code and no RDS information with high signal level are excluded from the search.

8) EON TA DX/LOCAL

Use the volume knob (20) to set EON TA DX or LOCAL.

9) REG ON/OFF

Use the volume knob (20) to set REG ON or OFF.

Some stations split their programs at certain times into regional programs with different contents.

- To play only the regional programs of the station when REG ON.
- To return to the nationwide program when REG OFF.

10) TA VOL



Use the volume knob (20) to adjust the TA volume value.

LOUDNESS

Press **BAND/LOUD** button (17) for several seconds to enhance the bass output.

Press it for several seconds again to release this function.

SET THE CLOCK

Press the **DSP** button (10) until the clock is shown on the display. Then press and hold the **DSP** button until the clock flashes. Then press  button (4) to change the minutes and  button (22) to change the hours.

Note. The Clock will automatically update when tuned to and receives an RDS signal.

DISPLAY INFORMATION

Press **DSP** button (10) to toggle through each of the display modes. Such as the clock, PTY group, Band, station name and frequency.


Note: The information displayed is mode dependent

EQUALIZATION

Press **EQ** button (21) to turn on equalization function and to select desired audio mode. There are five kinds of mode as below:

FLAT→CLASSICS→POP M→ROCK M→DSP OFF

MUTE

Press /MUTE button (2) briefly to mute the sound. Press it again to resume the sound.

ESP FUNCTION

CD shockproof protection with approximately ten seconds memory.

AUXILIARY INPUT

The unit can be connected to a portable audio player through the auxiliary input jack (9) on the front panel. Once connected, you can press the **MODE** button (3) on the front panel to switch the mode to AUX IN mode.

RESET FUNCTION

Press and hold both **1/>/II** button (16) and **MODE** (3) button for 2 seconds. The unit will be reset. Use the **RESET** function for the following reasons:

- Initial installation of the unit when all wiring is completed.
- All the function buttons do not operate.
- Error symbol on the display.

Note: if in pressing and holding both **1/>/II** button (16) and **MODE** (3), the unit does not reset, please use a cotton swab soaked in isopropyl alcohol to clean the metal contacts of the connector on the rear of the front panel and the connector on the front of the head unit.

BASIC OPERATION

RADIO OPERATION

SWITCHING TO RADIO MODE



Press **MODE** button (3) briefly to select radio mode, the band / frequency or station name will be displayed.

SELECTING THE FREQUENCY BAND

At radio mode, press **BAND/LOUD** button (17) briefly to select the desired band. The reception band will change in the following order:

FM1 → FM2 → FM3 → MW1 → MW2

SELECTING STATION

Press  button (4) or  button (22) briefly to activate automatic seek function. It will search up/down a station automatically. Press for several seconds until "**MANUAL**" appears on the display, the manual tuning mode is selected. In this mode you can step up/down the frequencies one by one to search for a station. If both buttons have not been pressed for several seconds, they will return to seek tuning mode and "**AUTO**" appears on the display.

Note: When TA function is on, the seek operation will search only for TA programs. And when PTY is selected but not TA, then a PTY search will occur.

AUTOMATIC MEMORY STORING & PROGRAM SCANNING

- Automatic memory storing

Press **AS/PS** button (6) for several seconds, the radio searches from the current frequency and checks the signal strength until a one-cycle search is finished, the 6 strongest stations are stored into the corresponding preset number button.

- Program scanning

Press **AS/PS** button (6) briefly to scan preset stations. Each preset station will blink for 5 seconds while playing that station before moving on to the next station. After all presets have been scanned the radio will return to the first preset station. Pressing AS/PS button at any time will halt the scan.

STATION STORING

Press preset 1 to 6 buttons (11 – 16) for several seconds to store the current station into the number button. Press any one of the preset 1 to 6 buttons (11 – 16) to select a station memory location.

LOC/DX (LOCAL/DISTANCE)

Press and hold PTY button (19) to activate the LOCAL function. Press and hold it again to return to DX (Distance) function.

RDS EXPLAINED

RDS (RADIO DATA SYSTEM) OPERATION

- Setting RDS mode

Press **AF** button (23) to switch on or off the AF mode.

Whenever AF is switch on, symbol “**AF**” appears on the display.

- Using **PTY** to Select Program

■ Press **PTY** button (19) briefly to select the PTY group. Then rotate the volume knob (20) to select the PTY program and press **FF** button (4) or **FF** button (22) to search.

■ When PTY ON, press **PTY** button (19) again to cancel the PTY function.

- Listening to Traffic Announcement

Press **TA** button (18), the unit will search Traffic Announcement automatically.

Press **TA** button (18) again will exit TA mode.

The RDS data used is AF, TP, TA, EON and PTY data.

AF: Alternative Frequencies

Frequency list of broadcasting stations transmitting the same program

TP: Traffic Program Identification

Identification data for traffic information-broadcasting station

TA: Traffic Announcement Identification

Identification data showing if traffic information is being transmitted

EON: Enhanced Other Networks Information

Broadcasting information on AF, TP, TA, etc, relating to networks other than the network used for current reception

PTY: Program Type Code

Contents of programs such as news, light music, sports etc

CD OPERATION

SWITCHING TO CD MODE

If there is no CD disc inserted in the drive:

Gently insert the disc with the printed side uppermost into the CD compartment until you feel some resistance. The disc is drawn into the drive automatically. Disc playback begins.

If a CD disc is already inserted in the drive:

Keep pressing **MODE** button (3) repeatedly until the CD mode display appears.

SELECTING TRACKS

Press **FF** button (22) or **FF** button (4) to move to the previous track or the following track. Track number shows on display.

Press and hold **FF** button (22) or **FF** button (4) to fast reverse or fast forward. Disc play starts from when you release the button.

PAUSING PLAYING

Press **1** button (16) to pause the player. Press it again to resume play.

PREVIEWING TRACKS

Press **INT** button (15) to play first several seconds of each track on the current disc. Press again to stop intro and listen to track.

REPEATING TRACKS

Press **RPT** button (14) to continuously repeat the same track. Press it again to repeat all tracks.

PLAYING TRACKS IN RANDOM

Press **RDM** button (13) to play all tracks on CD in random order. Press again to cancel the function.

EJECTING A DISC

Press **▲** button (8) to stop CD playing and eject the disc from the disc slot (5).

CARE MAINTENANCE

DISC NOTES

A. Notes on discs:

1. Attempting to use non-standard shape discs may damage the unit. Be sure to use round shape CD discs only for this unit.
2. Do not stick paper or tape, etc, onto the label side or the recording side of any discs, as it may cause a malfunction.
3. Dirt, dust, scratches and warping discs will cause faulty operation.

B. Notes on CD-Rs (recordable CDs)/CD-RWs (rewritable CDs):

1. Be sure to use discs with following marks only for the unit to play:



2. The unit cannot play a CD-R and CD-RW that is not finalised. (Please refer to the manual of your CD-R/CD-RW recorder or CD-R/CD-RW software for more information on finalisation process).
3. Depending on the recording status, conditions of the disc and the equipment used for the recording, some CD-Rs/CD-RWs may not be played on this unit. (See *1)

*1: For reliable play back, please note the following recommendations:

- a. Use CD-RWs with speed 1x to 4x and write with speed 1x to 2x.
- b. Use CD-Rs with speed 1x to 8x and write with speed 1x to 2x.
- c. Do not play a CD-RW which has been written for more than 5 times.

SPECIFICATIONS

GENERAL

Power Supply Requirements	: DC 12 Volts, Negative Ground
Chassis Dimensions	: 178 (W) x 160 (D) x 50 (H)
Tone Controls	
- Bass (at 100 Hz)	: ±10 dB
- Treble (at 10 kHz)	: ±10 dB
Maximum Output Power	: 4 x 40 watts maximum power
Current Drain	: 15 Ampere (max.)

CD PLAYER

Signal to Noise Ratio	: More than 55 dB
Channel Separation	: More than 50 dB
Frequency Response	: 40Hz – 18 kHz

RADIO

	FM
Frequency Coverage	87.5 to 108 MHz
IF 10.7	MHz
Sensitivity (S/N=30dB)	10 dBuV
Stereo Separation	>25dB
	MW
Frequency Coverage	522 to 1620 kHz
IF 450	kHz
Sensitivity (S/N=20dB)	36 dBuV

TROUBLESHOOTING

Before going through the checklist, check the wiring connections. If any of the problems persist after following the checklist, consult your nearest service dealer.

Symptom	Cause	Solution
No power.	The car ignition switch is not on.	If the power supply is connected to the car accessory circuits, but the engine is not moving, switch the ignition key to "ACC".
	The fuse is blown.	Replace the fuse.
Disc cannot be loaded or ejected.	CD disc present inside the player.	Remove the disc in the player, and insert a new one.
	Disc inserted upside down.	Insert the CD with the label facing upward.
	CD is extremely dirty or defective.	Clean the disc or try to play a new one.
	Temperature inside the car is too high.	Cool off inside of car until the temperature returns to normal.
	Condensation.	Leave the player off for an hour or so, and then try again.
No sound.	Volume is at minimum	Adjust volume to the desired level.
	Wiring is not properly connected.	Check wiring connections.
Sound skips.	The installation angle is more than 30 degrees.	Adjust the installation angle to less than 30 degrees.
	The disc is extremely dirty or defective.	Clean the compact disc, and then try to play a new one.
The operation keys do not work.	The built-in microcomputer is not operating properly due to noise.	Press the RESET button. Front panel is not properly fixed into its place.
The radio does not work. The radio station automatic selection does not work.	The antenna cable is not connected.	Insert the antenna cable firmly.
	The signals are too weak.	Select a station manually.

CONTACT DETAILS

We trust you are completely satisfied with this product from Argos Ltd, however please feel free to contact us if you experience any difficulties, or if you would like to express your views regarding our products.

Please write to:

Customer Services

Argos Ltd

489-499 Avebury Boulevard

Saxon gate West

Central Milton Keynes

MK9 2NW

Telephone No.: 0870 600 3030

Through the process of continuous improvement, Argos Limited reserves the right to change or alter specifications without prior notice. E&OE

ALBA

This product is guaranteed for twelve months from the date of original purchase.

Any defect that arises due to faulty materials or workmanship will either be replaced, refunded or repaired free of charge where possible during this period by the dealer from whom you purchased the unit.

The guarantee is subject to the following provisions:

- The guarantee does not cover accidental damage, misuse, cabinet parts, knobs or consumable items.
- The product must be correctly installed and operated in accordance with the instructions contained in this manual.
- It must be used solely for domestic purpose.
- The guarantee will be rendered invalid if the product is re-sold or has been damaged by inexpert repair.
- Specifications are subject to change without notice.
- The manufacturer disclaims any liability for the incidental or consequential damages.
- The guarantee is in addition to, and does not diminish your statutory or legal rights.

Guarantor: Argos Limited
489 - 499 Avebury Boulevard
Central Milton Keynes MK9 2NW