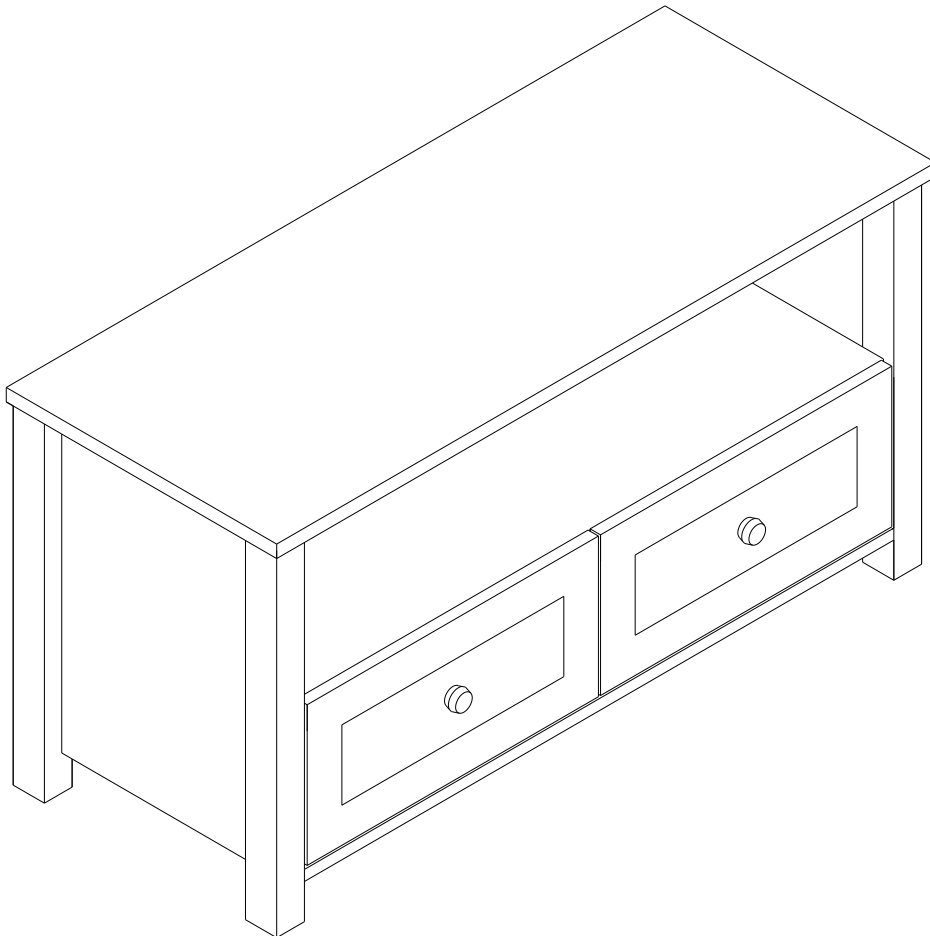


Haversham - TV unit

Assembly Instructions - Please keep for future reference

166/7947



Dimensions

Width - 95cm

Depth - 39cm

Height - 50cm

Important – Please read these instructions fully before starting assembly

If you need help or have damaged or missing parts, call the **Customer Helpline: 08456 400 800**



Safety and Care Advice

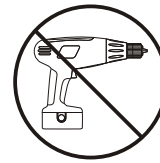
Important – Please read these instructions fully before starting assembly

- Check you have all the components and tools listed on pages 2 and 3.
- Remove all fittings from the plastic bags and separate them into their groups.
- Keep children and animals away from the work area, small parts could choke if swallowed.
- Make sure you have enough space to layout the parts before starting.
- Assemble on a soft level surface to avoid damaging the unit or your floor.

· This product contain Natural timber; you may notice some variation in the grain and colour of different component parts which is normal for furniture produced using natural wood and is not the result of any manufacturing fault.

· Do not stand or put weight on the product, this could cause damage.

· Assemble the item as close to its final position (in the same room) as possible.



· We do not recommend the use of power drill/drivers **for inserting screws**, as this could damage the unit. Only use hand screwdrivers.

· Parts of the assembly will be easier with 2 people.

· Dispose of all packaging carefully and responsibly.

Care and maintenance

· Use an appropriate furniture polish for natural wood furniture and a dry cloth to clean the product.

· Avoid placing the furniture in direct sunlight as this will cause the timber to prematurely age.

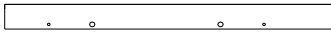
· From time to time check that there are no loose screws on this unit.

· This product should not be discarded with household waste. Take to your local authority waste disposal centre.

Note: if required the next page can be cut out and used as reference throughout the assembly. Keep this page with these instructions for future reference.

Components - Panels

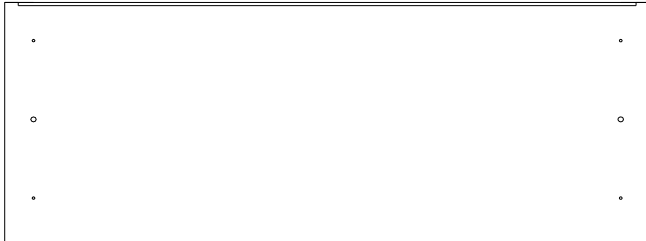
Please check you have all the panels listed below



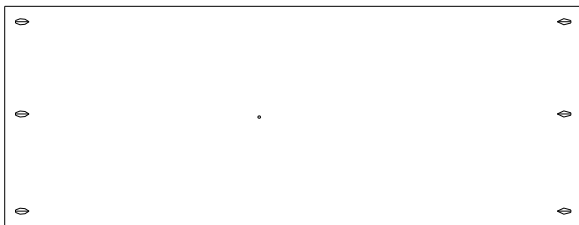
01 Right front leg (48,5 x 4,5cm)



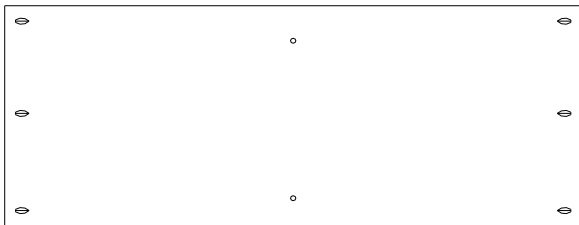
02 Right back leg (48,5 x 4,5cm)



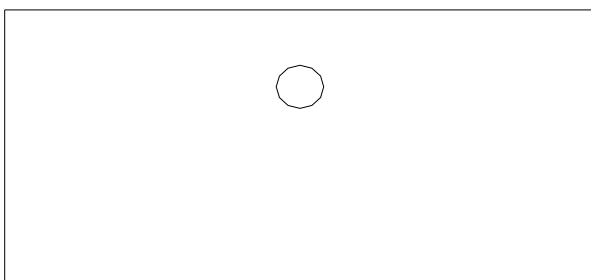
05 Top panel (95 x 39cm)



06 Base panel (85 x 37,5cm)



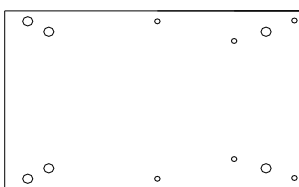
07 Shelf (85 X 36cm)



08 Back panel (87,4 x 44,5cm)



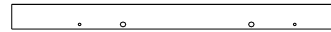
09 Cross rail (85 x 4,5cm)



10 Side panel X 2 (43,5 x 29cm)



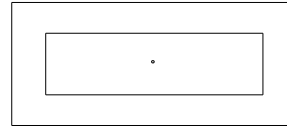
11 Central foot (5 x 4,5cm)



03 Left front leg (48,5 x 4,5cm)



04 Left back leg (48,5 x 4,5cm)



12 Drawer front X 2 (42 x 20cm)



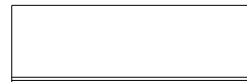
13 Small middle wall (18,8 x 36cm)



14 Drawer left side X 2 (35 x 13cm)



15 Drawer right side X 2 (35 x 13cm)



16 Drawer back X 2 (35,4 x 13cm)



17 Large runner X 2 (35 x 2,8cm)



18 Runner X 2 (35 x 1,8cm)



19 Drawer bottom X 2 (34,9 x 36,6cm)




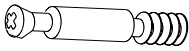

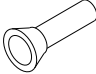

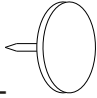



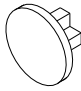


Components - Fittings

If you have damaged or missing components, call the Customer Helpline: **08456 400 800**

Please check you have all the fittings listed below

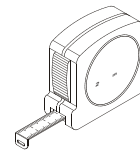
Note: The quantities below are the correct amount to complete the assembly. In some cases more fittings may be supplied than are required.

<p>A </p> <p>8,0 x 30mm Wooden dowel X 40</p>	<p>B </p> <p>3,5 x 25mm Screw X 08</p>	<p>C </p> <p>3,5 x 30mm Screw X 35</p>
<p>D </p> <p>Metal dowel X 12</p>	<p>E </p> <p>Handle X 2</p>	<p>F </p> <p>Plastic pin X 4</p>
<p>G </p> <p>10 x 10 Nail X 25</p>	<p>H </p> <p>Foot pad X 5</p>	<p>I </p> <p>3,5 x 40mm Screw X 3</p>
<p>J </p> <p>Locking nut X 12</p>	<p>L </p> <p>6,0x30mm Thin wooden dowel X 4</p>	<p>M </p> <p>Plastic cap X 8</p>

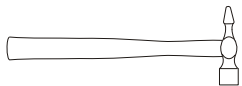
Tools required



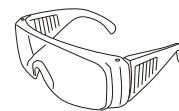
Phillips screwdriver
(medium & large)



Ruler/tape
measure



Small
hammer



Eye protection
(when using a
hammer or glue)

Ruler - Use this ruler to help correctly identify the screws



Assembly Instructions

Step 1

Parts **01**, **02**, **03** and **04** are labelled for easier identification.

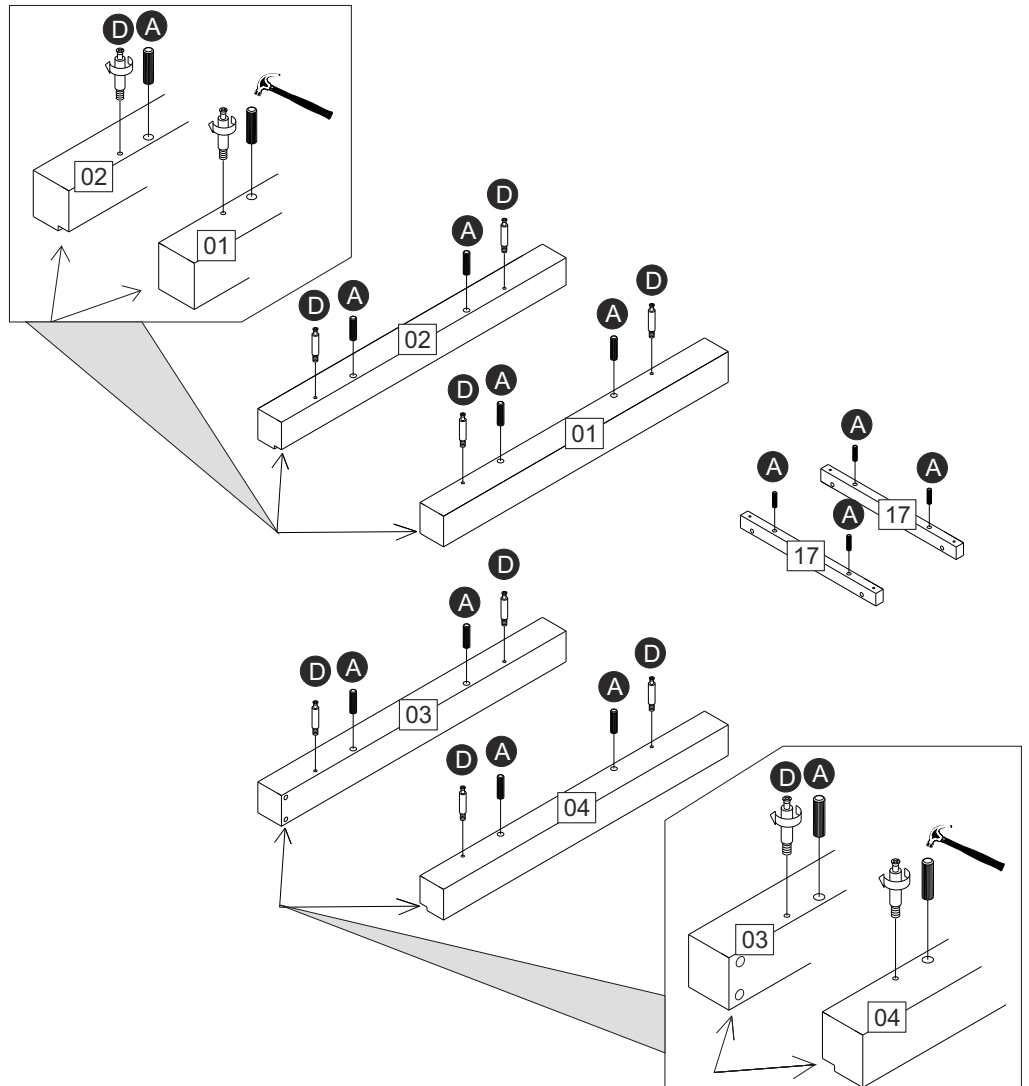
Insert wooden dowels **A** into large runners **17**.

Insert wooden dowels **A** into leg **01**, **02**, **03** and **04** as shown.

Screw metal dowels **D** into legs **01**, **02**, **03** and **04**.



Do not over tighten metal dowels.

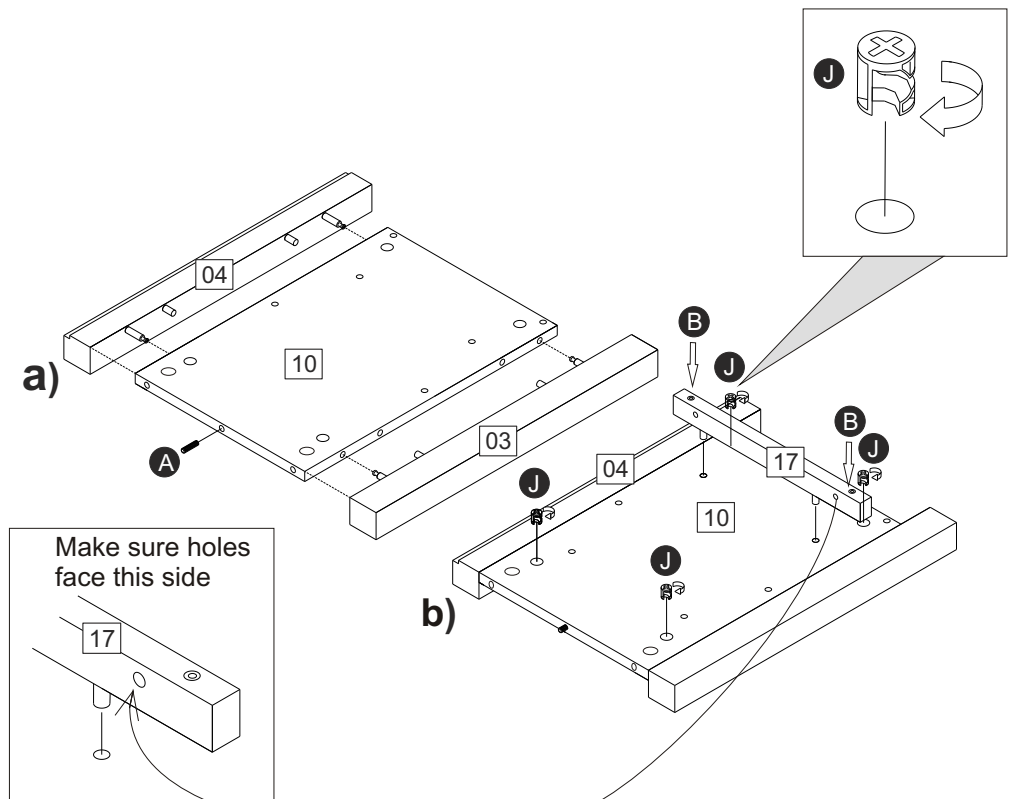


Step 2

a) Fit side panel **10**, left front leg **03** and left back leg **04** together.

b) Insert locking nuts **J** where shown. Use a screwdriver to turn locking nuts clockwise to lock.

Fix runner **17** to side panel **10** using screws **B**. Make sure holes in runner are positioned as shown.



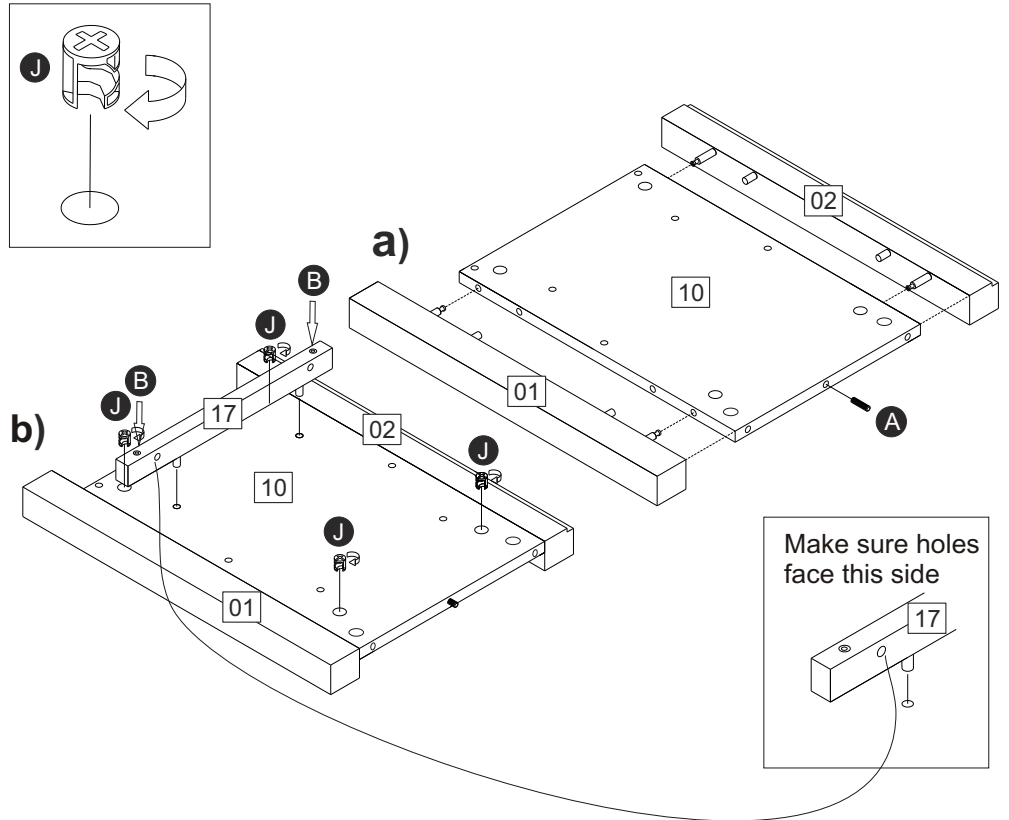
Assembly Instructions

Step 3

a) Fit side panel **10**, right front leg **01** and right back leg **02** together.

b) Insert locking nuts **J** where shown. Use a screwdriver to turn locking nuts clockwise to lock.

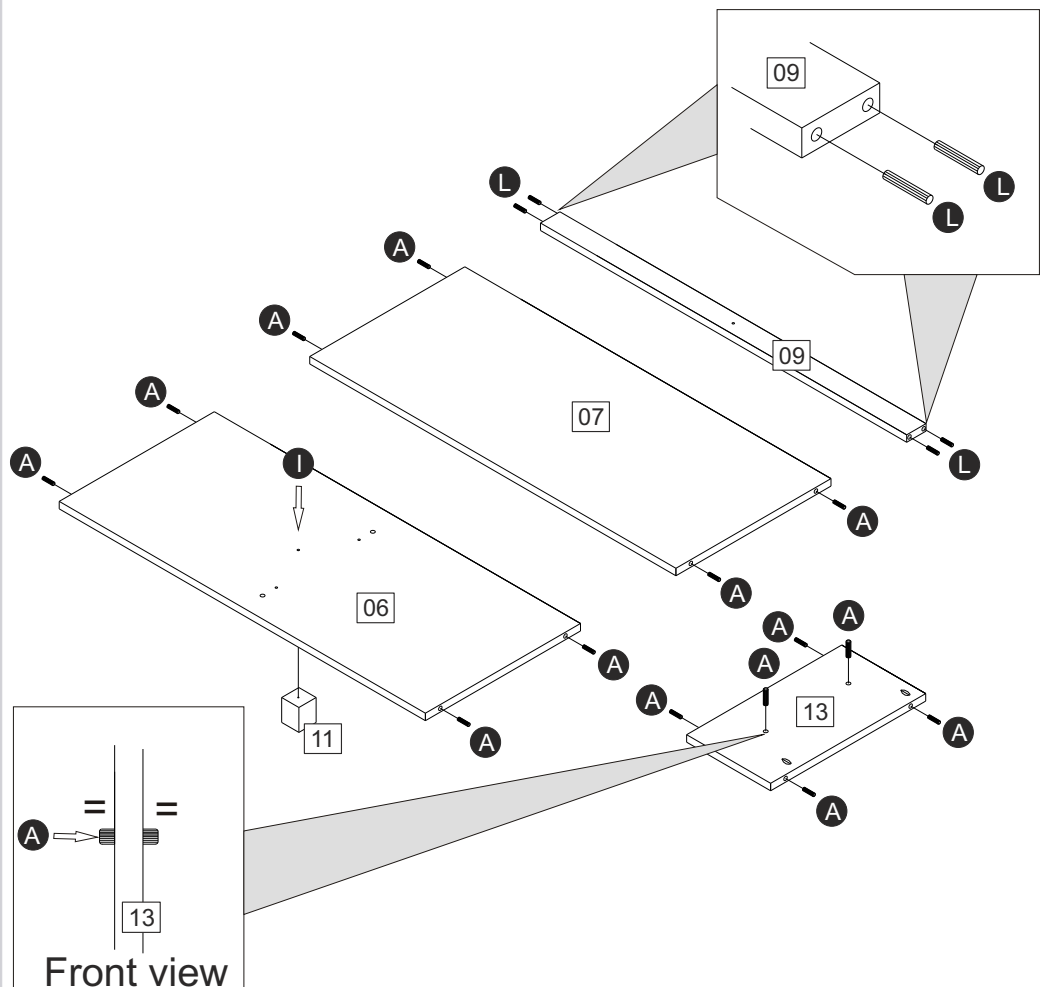
Fix runner **17** to side panel **10** using screws **B**. Make sure holes in runner are positioned as shown.



Step 4

Insert wooden dowels **A** into base panel **06**, shelf **07** and small middle wall **13** as shown. Insert thin wooden dowel **L** into cross rail **09** as shown.

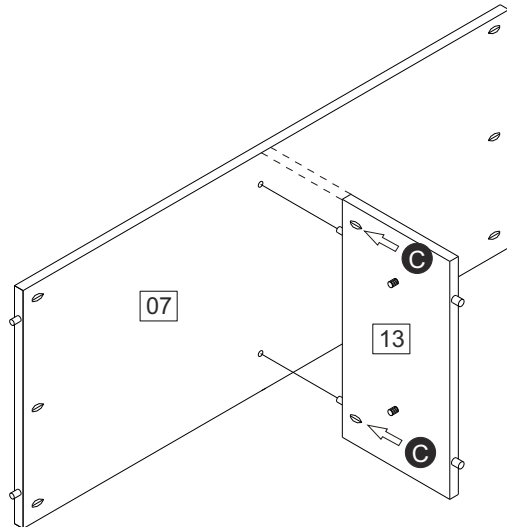
Fix central foot **11** to the base panel **06** using screw **I**.



Assembly Instructions

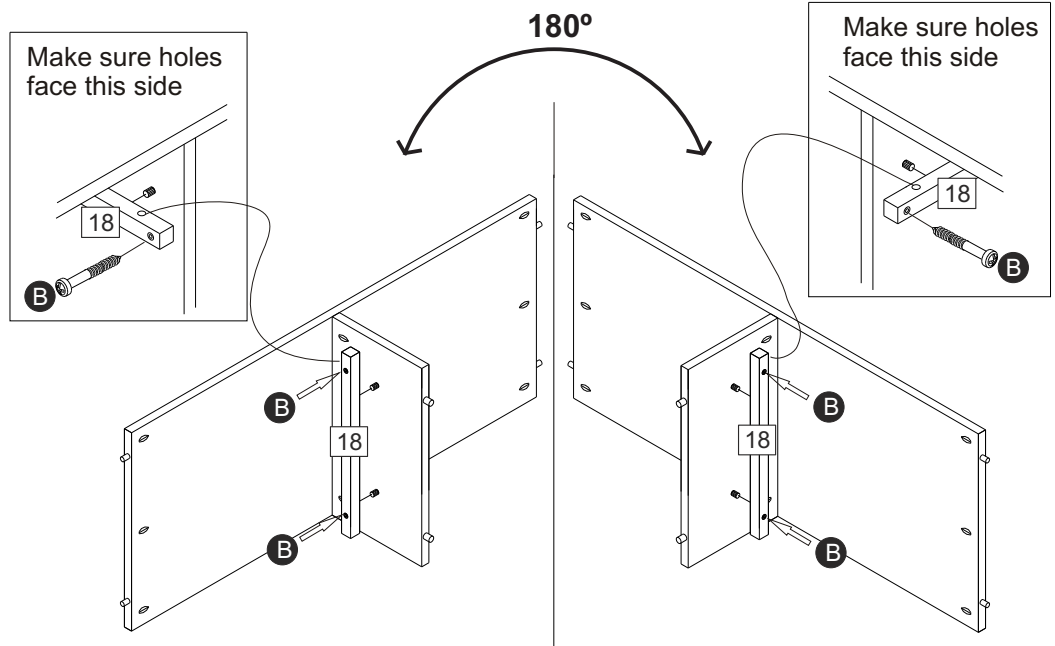
Step 5

Fix middle wall **13** to shelf **07** using screws **C**.



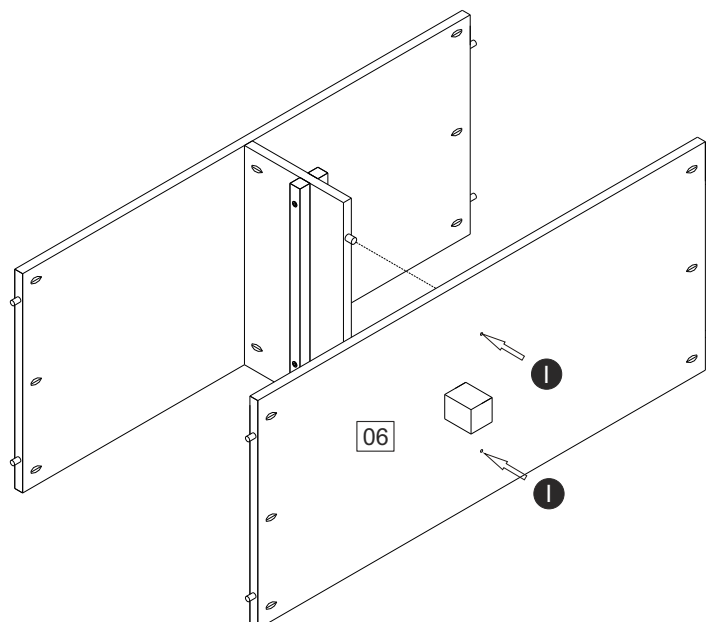
Step 6

Fix runners **18** in both sides of the middle wall using screws **B**. Make sure holes in runners are positioned as shown.



Step 7

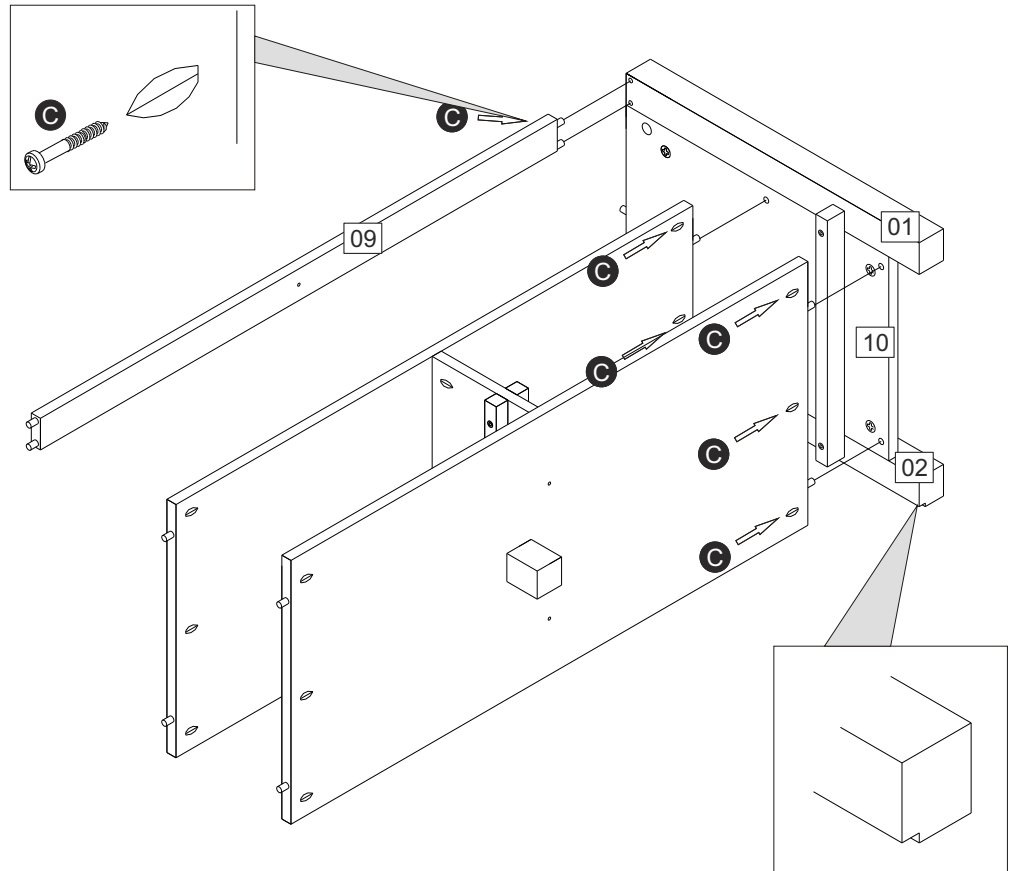
Fix base panel **06** to the part assembled in step 6 using screws **I**.



Assembly Instructions

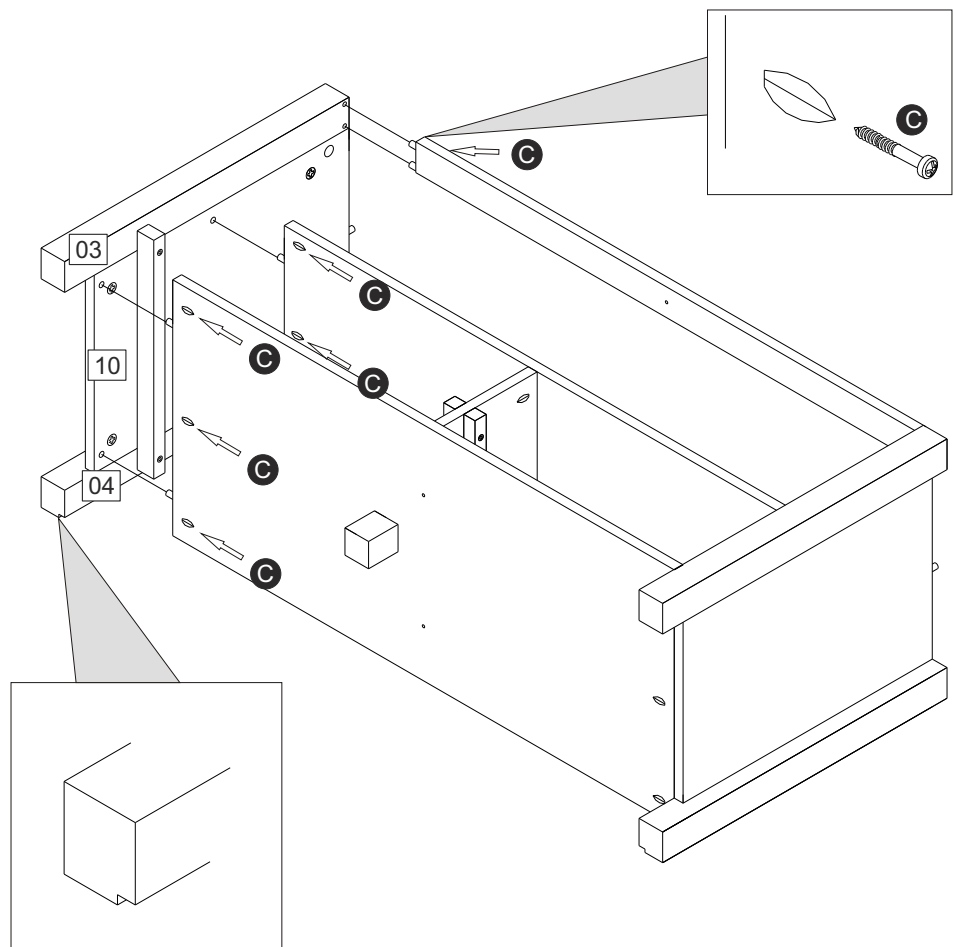
Step 8

Fix assembled right side and cross rail **09** to the part assembled in Step 7 using screws **C** as shown.



Step 9

Fix assembled left side and cross rail **09** to the part assembled in Step 7 using screws **C** as shown.



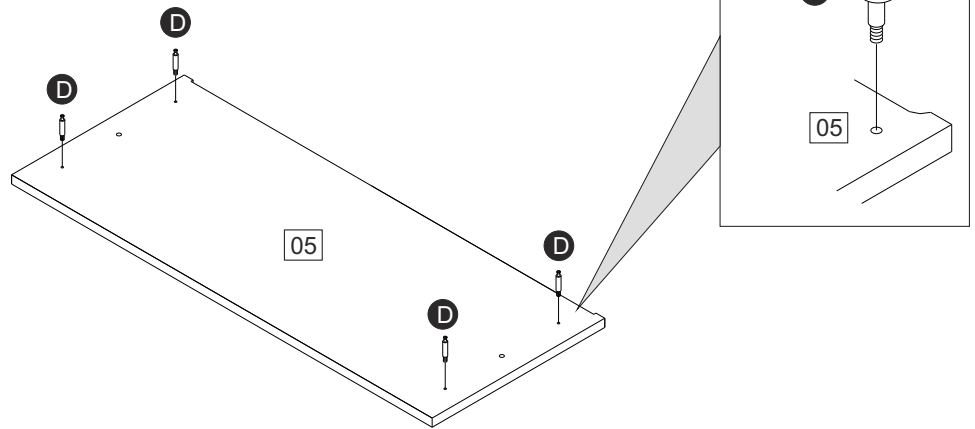
Assembly Instructions

Step 10

Insert metal dowels **D** into top panel **05**.



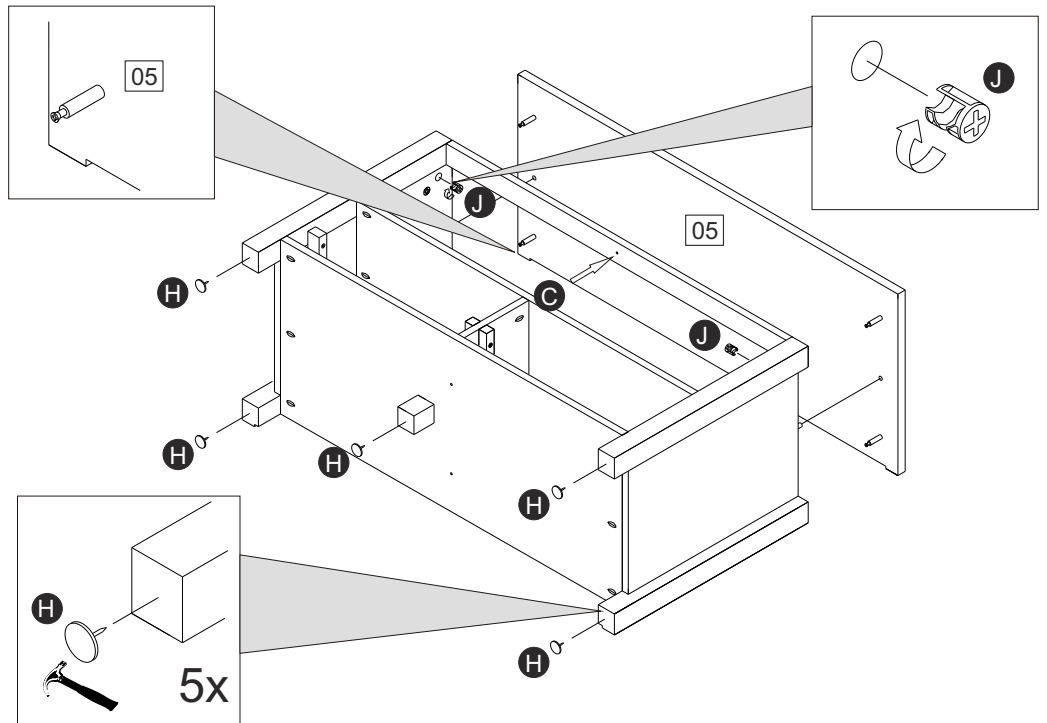
Do not over tighten metal dowels.



Step 11

Insert locking nuts **J** as shown. Use a screwdriver to turn locking nuts clockwise to lock. Fix top panel **05** to the assembled part using screws **C**.

With the help of a hammer, fix foot pads **H** as shown.

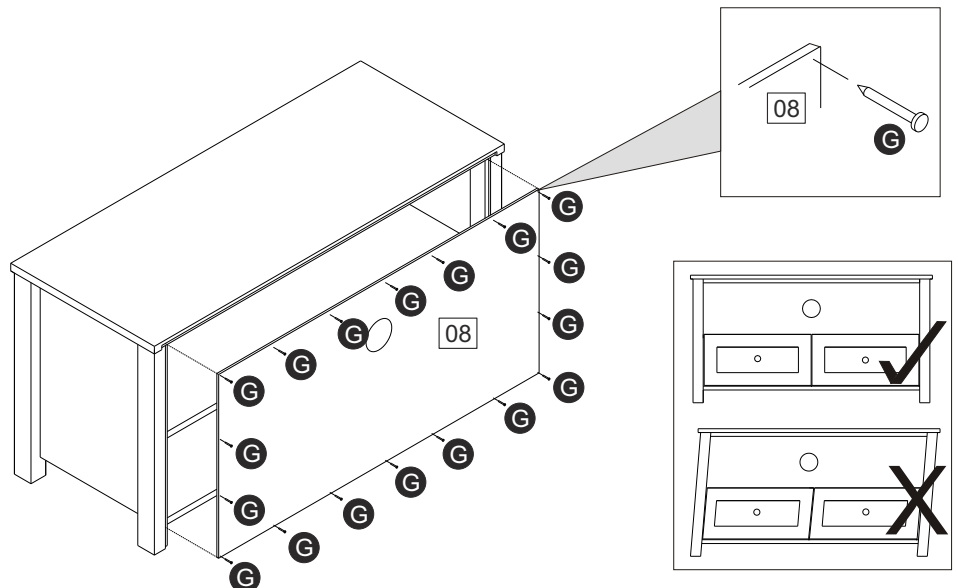


Step 12

Attach back panel **08** using nails **G**.



IMPORTANT
Cabinet must be "square" when back is attached.

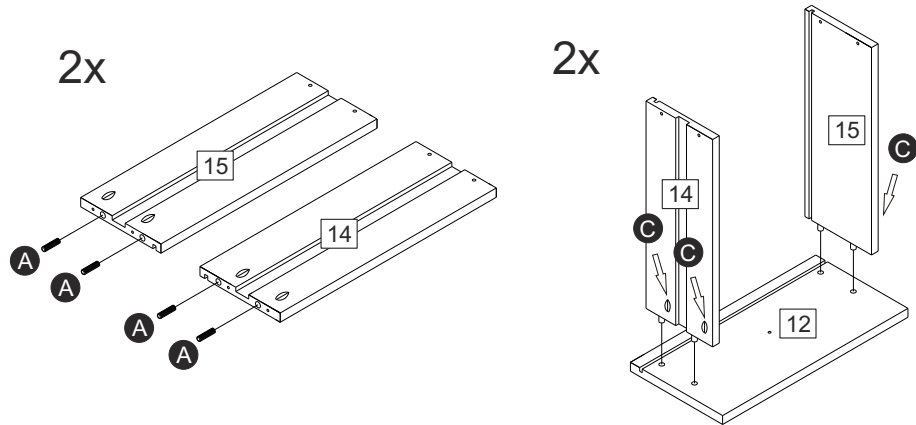


Assembly Instructions

Step 13

Insert wooden dowels **A** into drawer sides **14** and **15**.

Attach drawer sides **14** and **15** to drawer front **12** using screws **C**.

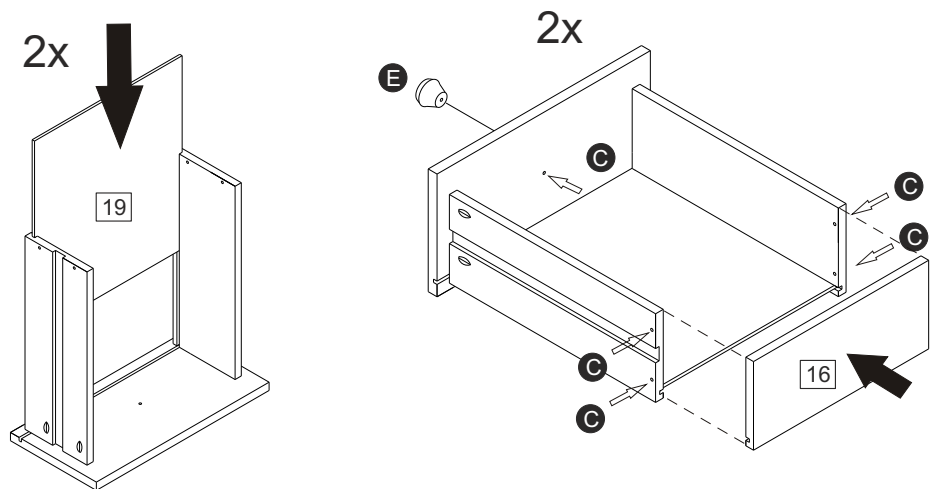


Step 14

Slide drawer base **19** into grooves as shown.

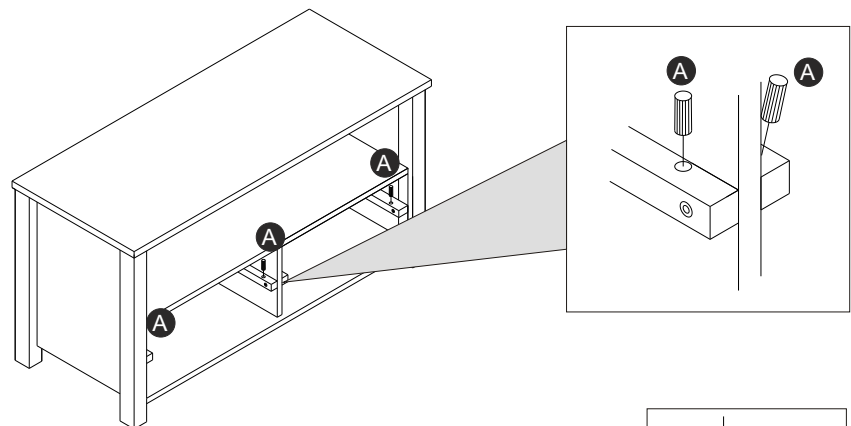
Attach drawer back **16** using screws **C**.

Fix handle **E** using screw **C**.



Step 15

Insert wooden dowels **A** into the runners as shown.



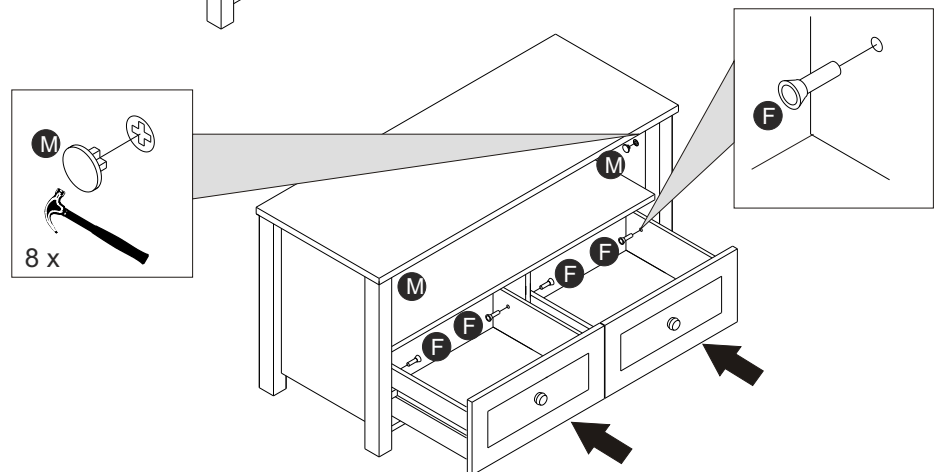
Step 16

Place drawers onto runners and slide past dowels fitted to runners.

Then, with hammer, tap plastic pins **F** in flush with drawer side, this is a safety catch to stop drawer falling out.

Insert plastic caps **M** in the right and left side panel as shown.

Assemble is complete



If you need help or have damaged or missing parts, call the **Customer Helpline: 08456 400 800**