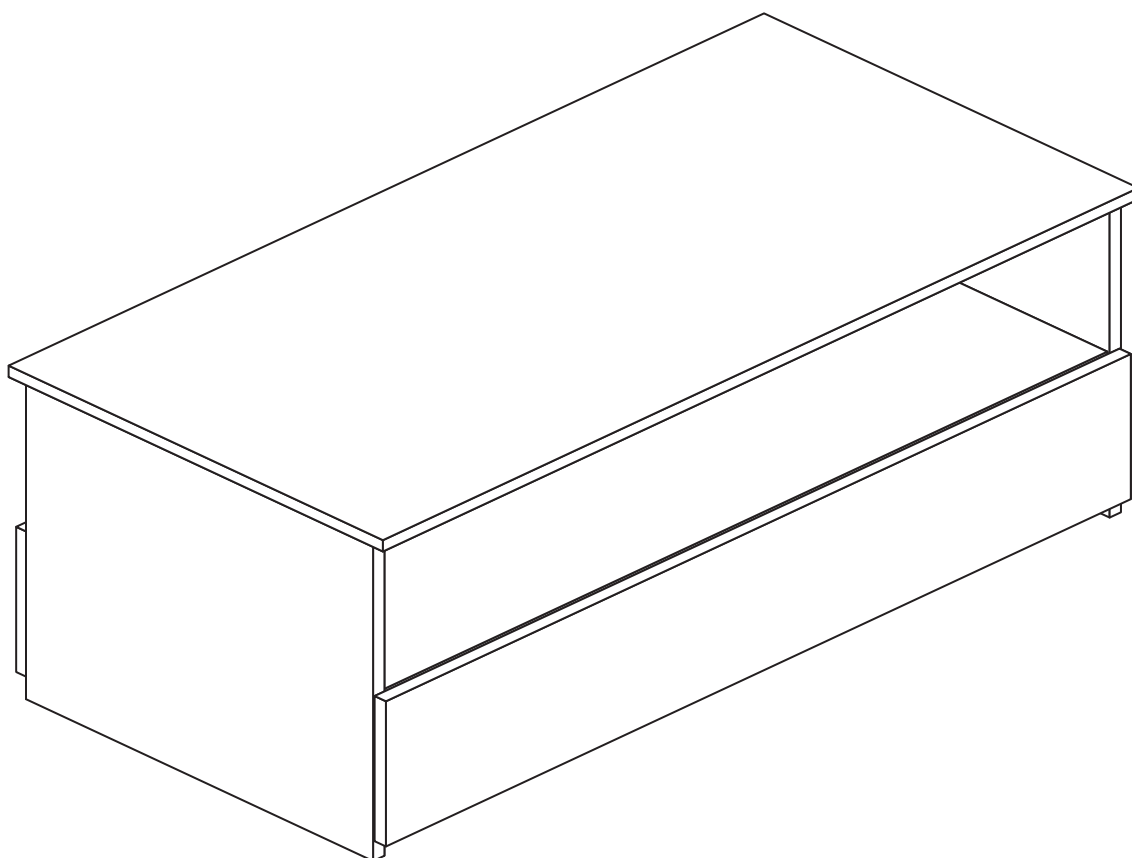


# Aurora - Coffee Table

Assembly Instructions - Please keep for future reference

147/1360

166/6553



## Dimensions

Width - 100cm

Depth - 49.5cm

Height - 43.5cm



**MADE IN  
BRITAIN**

**Important** - Please read these instructions fully before starting assembly

If you need help or have damaged or missing parts, call the **Customer Helpline: 08456 400800**



# Safety and Care Advice

**Important - Please read these instructions fully before starting assembly**

- **Warning:** This unit weighs approximately 26kgs. Please lift with care.

- Check you have all the components and tools listed on pages 2 and 3.

- Remove all fittings from the plastic bags and separate them into their groups.

- Keep children and animals away from the work area, small parts could choke if swallowed.

- Parts of the assembly will be easier with 2 people.

- Make sure you have enough space to layout the parts before starting.

- Do not stand or put weight on the product, this could cause damage.

- Assemble the item as close to its final position (in the same room) as possible.

- Assemble on a soft level surface to avoid damaging the unit or your floor (use opened out unit carton).



- We do not recommend the use of power drill/drivers **for inserting screws**, as this could damage the unit. Only use hand screwdrivers.

- **Safety note:** If there is any chance of this unit being pulled over by children etc. it is recommended that the unit is secured to a wall using suitable fixings (not supplied).

- Dispose of all packaging carefully and responsibly.

## Care and maintenance

- Only clean using a damp cloth and mild detergent, do not use bleach or abrasive cleaners.

- From time to time check that there are no loose screws on this unit.

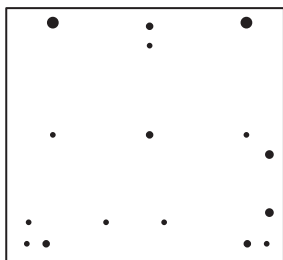
- This product should not be discarded with household waste. Take to your local authority waste disposal centre.

**Note:** If required the next page can be cut out and used as reference throughout the assembly. Keep this page with these instructions for future reference.

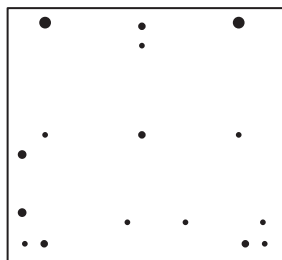
# Components - Panels

If you have damaged or missing components, call the **Customer Helpline: 08456 400800** quoting the reference numbers below

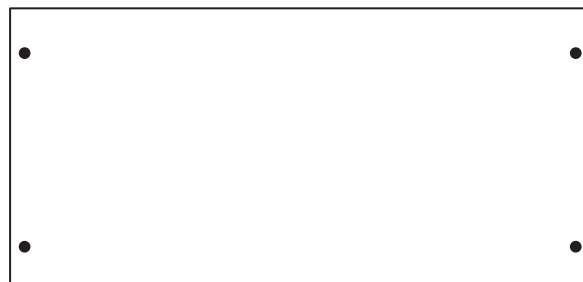
Please check you have all the panels listed below



**1** Left Side (D2638A)  
(420 x 459mm)



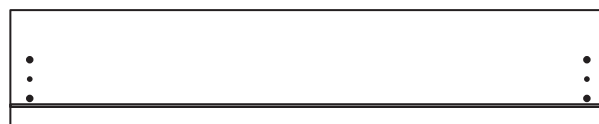
**2** Right Side (D2639A)  
(420 x 459mm)



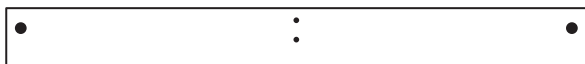
**3** Horizontal (D2640A)  
(959 x 456mm)



**4** Back (D2641A)  
(985 x 192mm)



**5** Drawer Front (D2642A)  
(985 x 192mm)



**6** Rail (D2643A)  
(959 x 95mm) x 3



**7** Top (D2644A)  
(999 x 495mm)



**8** Drawer Base (T919-347)  
(919 x 347mm)



**9** Left Drawer Side (W509LH)  
(350 x 115mm)



**10** Right Drawer Side (W509RH)  
(350 x 115mm)



**11** Drawer Back (W908-115)  
(908 x 115mm)

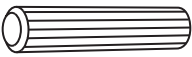
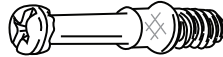



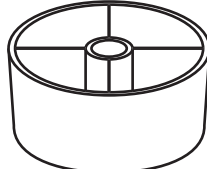


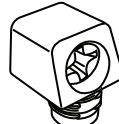

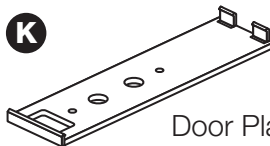
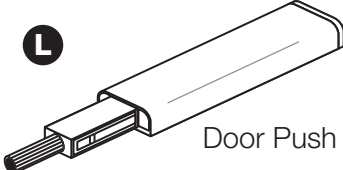
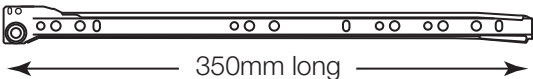

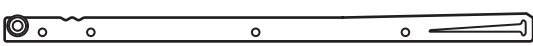
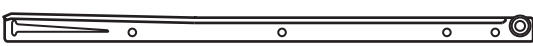



# Components - Fittings

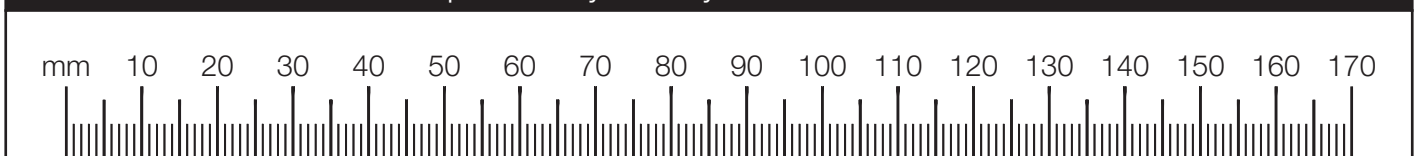
If you have damaged or missing components, call the  
**Customer Helpline: 08456 400800** quoting the reference  
 numbers below

Please check you have all the fittings listed below

**Note:** The quantities below are the correct amount to complete the assembly. In some cases more fittings may be supplied than are required.

<b>A</b>  Wooden dowel (F22) x 10	<b>B</b>  Metal dowel (F901) x 16	<b>C</b>  Knock-in Peg (F171) x 4
<b>D</b>  Small locking nut (F3) x 2	<b>E</b>  Large locking nut (F900) x 14	<b>F</b>  Feet (F854) x 2
<b>G</b>  25mm Screw (F50) x 2	<b>H</b>  13mm Screw (F52) x 8	<b>I</b>  Mini block (F25) x 4
<b>J</b>  13mm Screw (F63) x 6	<b>K</b>  Door Plate (F259) x 1	<b>L</b>  Door Push (F258) x 1
<b>M a</b>  L Runner (F159) x 1 ← 350mm long → <b>M b</b>  R Runner (F160) x 1 <b>M c</b>  L Runner (F161) x 1 <b>M d</b>  R Runner (F162) x 1		<b>N</b>  Wedgefix (F639) x 6

Ruler - Use this ruler to help correctly identify the screws



# Assembly Instructions

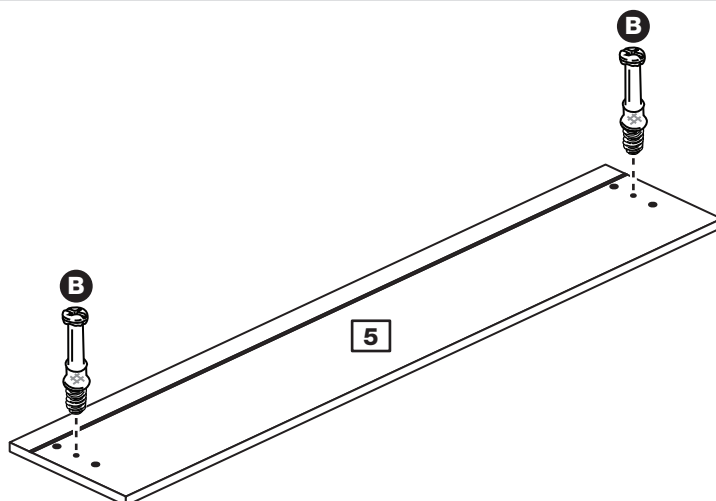
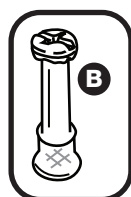
If you have damaged or missing components, call the **Customer Helpline: 08456 400800** quoting the reference numbers below

## Step 1

### Prepare the drawer front

Screw 2 metal dowels **B** into the holes shown on the back of the drawer front **5**.

**Note:** Tighten the metal dowels up fully against the panels.

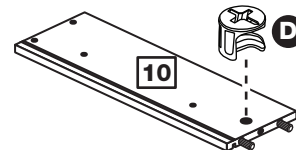
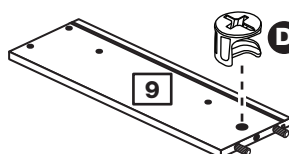
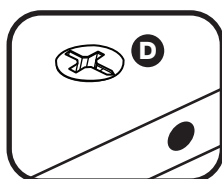


## Step 2

### Prepare the drawer sides

Insert a small locking nut **D** into the hole shown on the left drawer side **9** and right drawer side **10**.

**Note:** Arrow on locking nut **must** point towards hole in edge of panel.



## Step 3

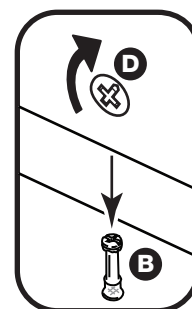
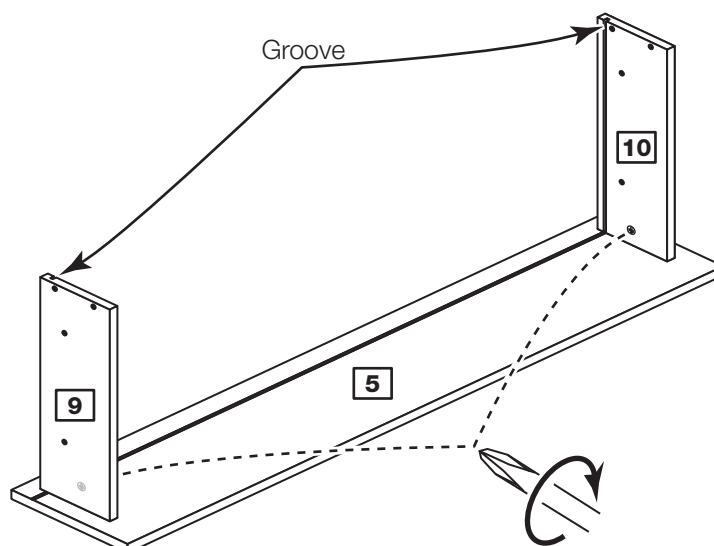
### Attach the drawer sides to the drawer front

Push the left drawer side **9** and right drawer side **10** onto the back of the drawer front **5**.

Turn the small locking nuts **D** on the left drawer side **9** and right drawer side **10**.

**Note:** Turn the locking nuts clockwise to secure panels - more than 1/2 a turn.

**Note:** The locking nuts can be on either surface of the drawer sides. Make sure that the groove is on the inside, as shown.

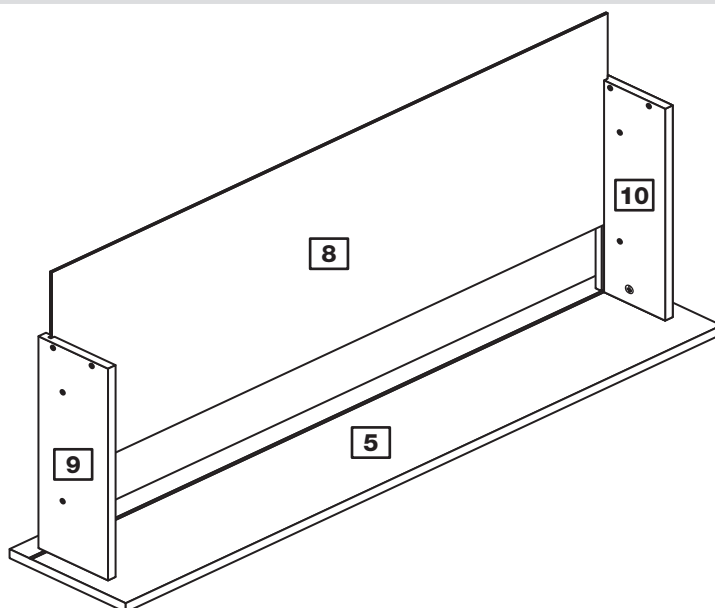


# Assembly Instructions

## Step 4

### Fit the drawer base

Slide the drawer base **8** down the grooves in the drawer sides **9** and **10** and down into the groove in the drawer front **5**.



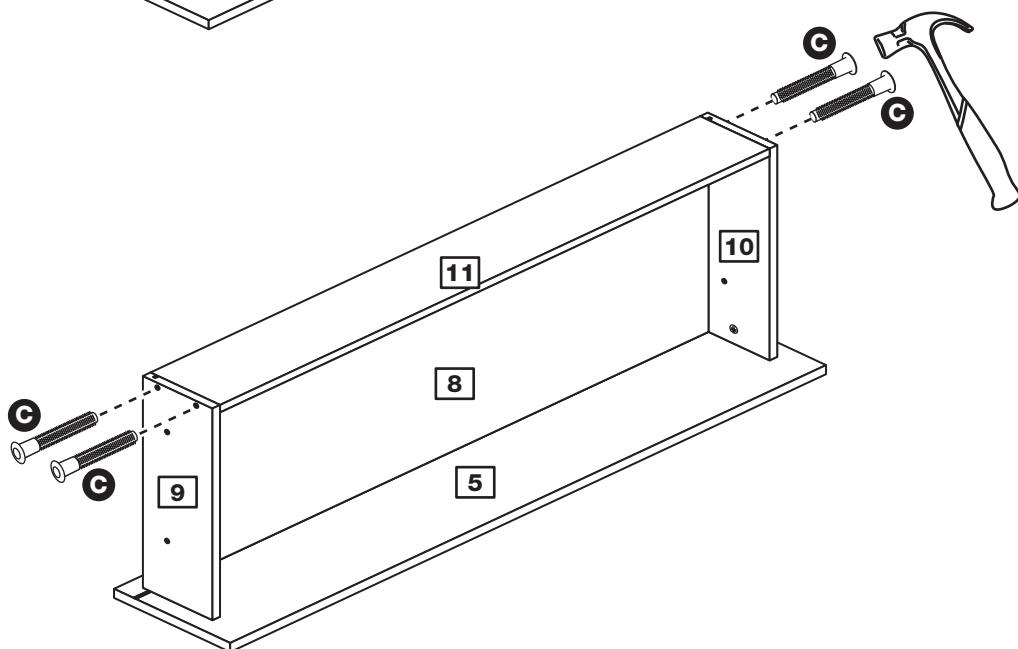
## Step 5

### Fit the drawer back

Fit the drawer back **11** between the drawer sides **9** and **10**.

Make sure that the drawer base **8** fits into the groove in the drawer back **11**.

Hold the drawer back **11** in position and tap the knock-in pegs **C** through the holes in the drawer sides **9** and **10**.



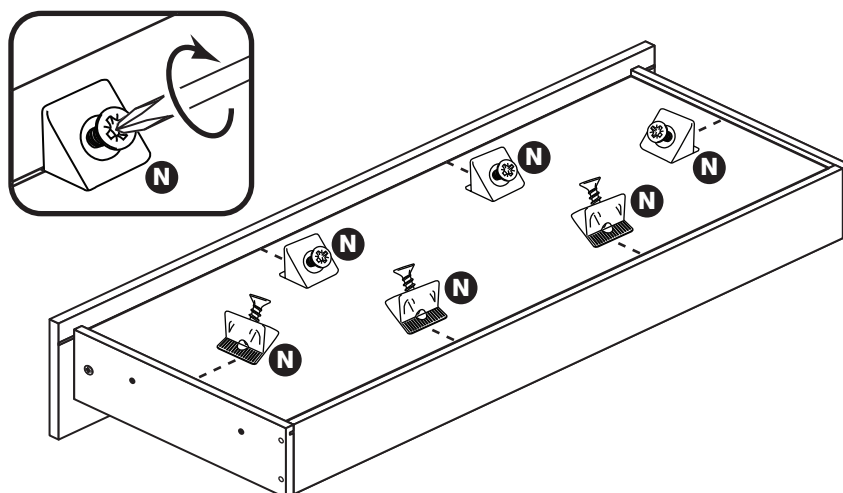
## Step 6

### Fit the 6 wedgexes

Turn the drawer assembly over.

Slide the wedgexes **N** into the small grooves on the drawer assembly, as shown.

Once in place, tighten up the screws.



# Assembly Instructions

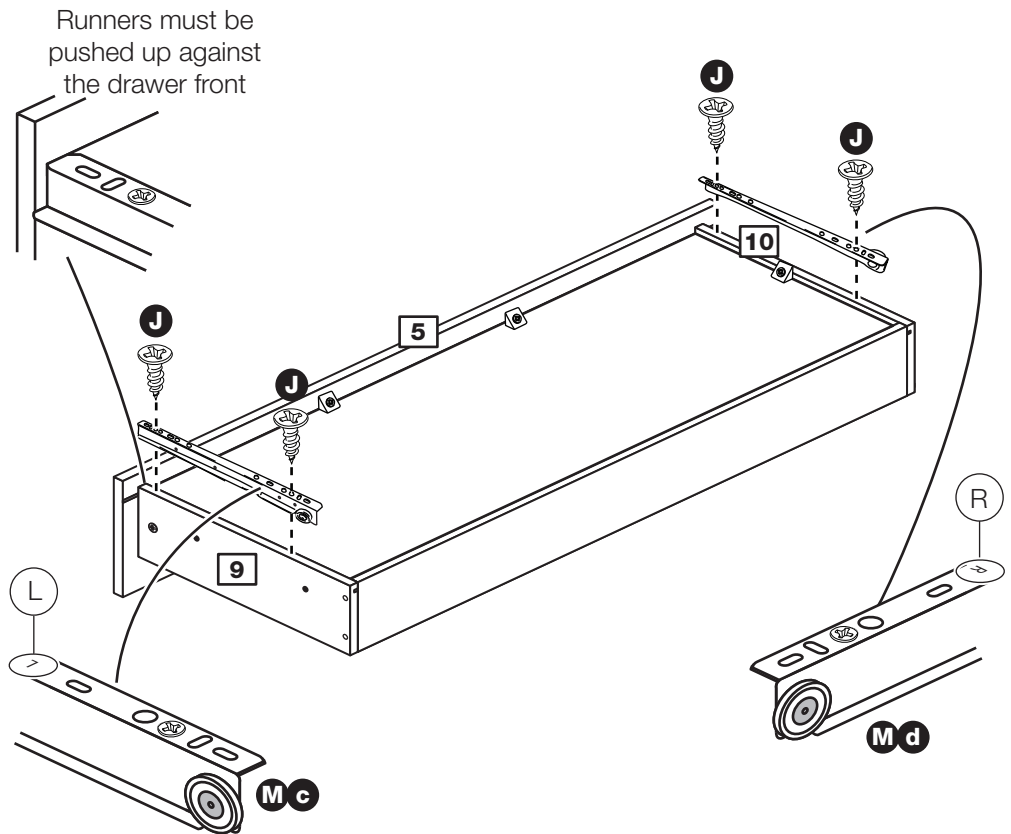
## Step 7

### Fit the runners to the drawer

Turn the drawer assembly over.

Fit runner **(M d)**, marked with 'R', to the bottom edge of the right drawer side **(10)**, as shown, making sure that it is pushed up against the back of the drawer front **(5)**. Use a bradawl to mark the fixing positions, then secure with 2 screws **(J)**.

Fit runner **(M c)**, marked 'L', to the bottom edge of the left drawer side **(9)** using the same method.



## Step 8

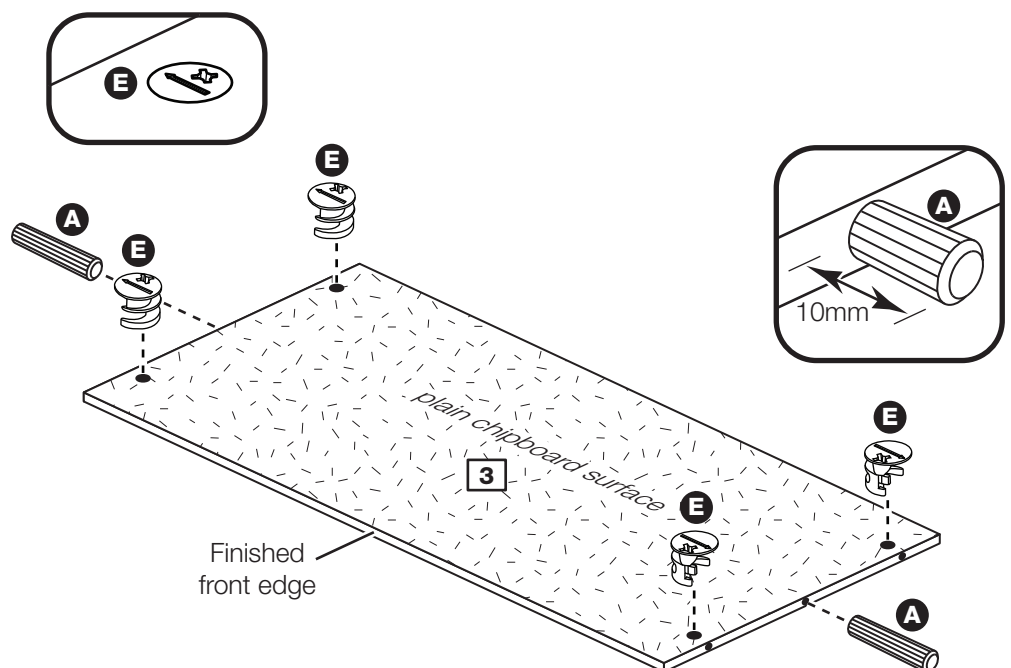
### Prepare the horizontal

Tap 2 wooden dowels **(A)** into the horizontal **(3)**.

**Note:** Wooden dowels **must not** stick out from the edge by more than 10mm or they may damage other panels.

Insert 4 large locking nuts **(E)** into the horizontal **(3)**.

**Note:** The arrow on the locking nut **must** point towards the hole in the edge of the panel.



# Assembly Instructions

## Step 9

### Prepare the left side

**a:** Tap a wooden dowel **A** into the left side **1**.

Screw 5 metal dowels **B** into the left side **1**.

**b:** Insert 2 large locking nuts **E** into the left side **1**.

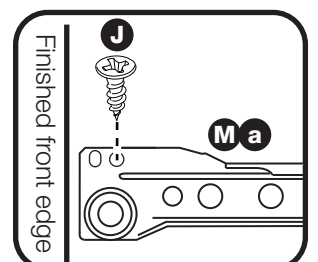
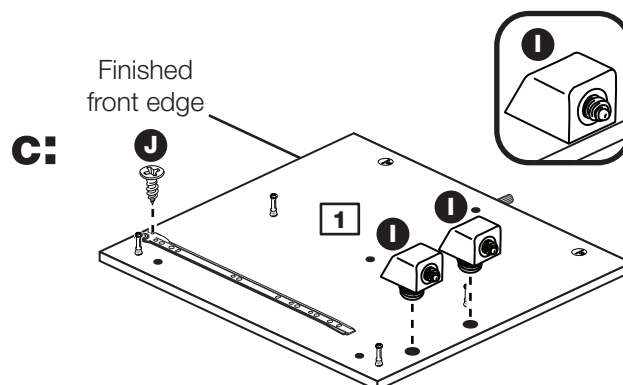
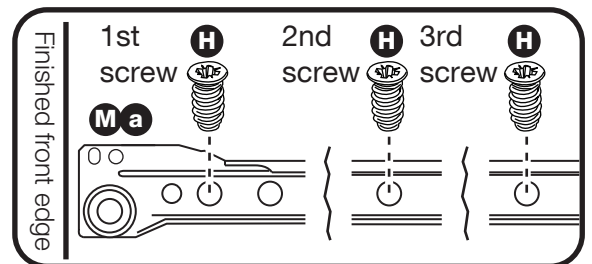
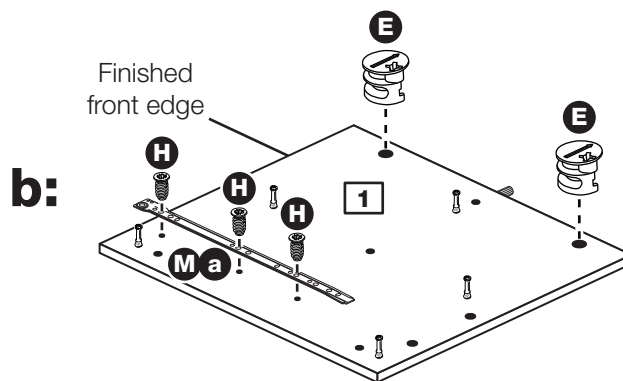
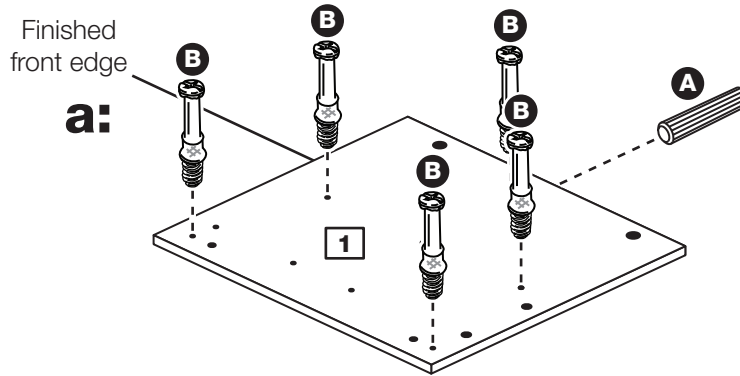
Fit the runner **Ma** to the left side **1**.

The 1st screw **H** uses the 2nd hole in from the front of the runner.

The 2nd and 3rd screws **H** use the holes that line up with the other panel holes.

**c:** Fit a screw **J** into the 2nd hole in at the top of the runner **Ma**.

Gently tap 2 mini blocks **I** into the left side **1**, orientated as shown.





# Assembly Instructions

## Step 10

### Prepare the right side

**a:** Tap a wooden dowel **A** into the right side **2**.

Screw 5 metal dowels **B** into the right side **2**.

**b:** Insert 2 large locking nuts **E** into the right side **2**.

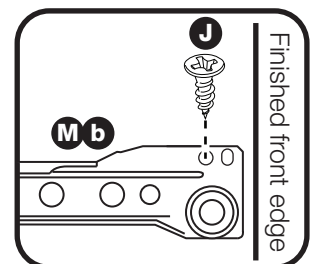
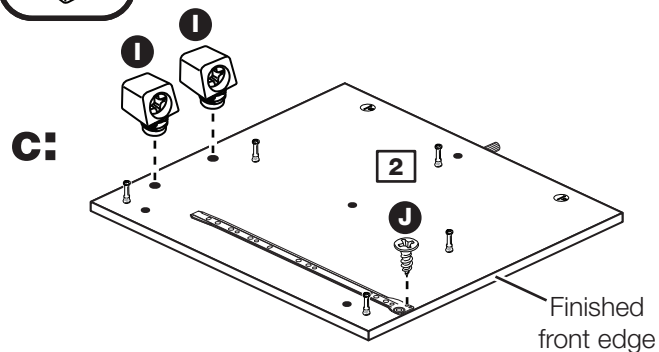
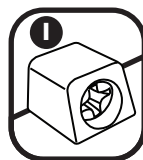
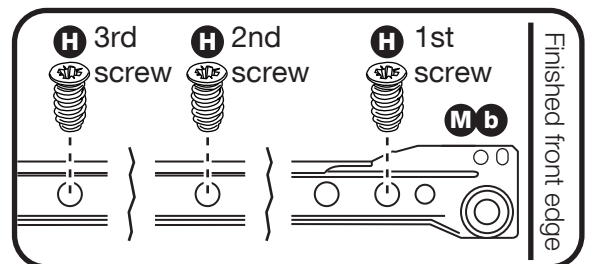
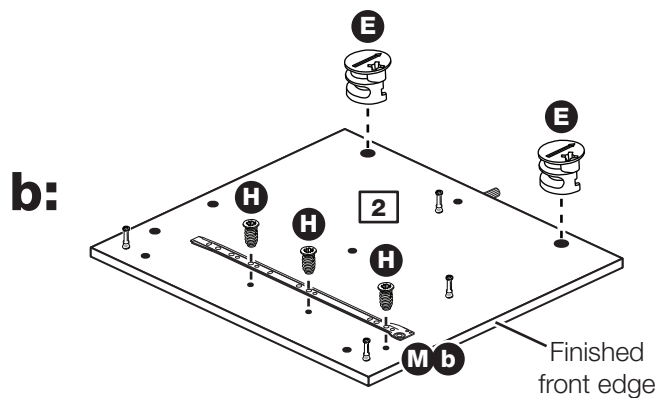
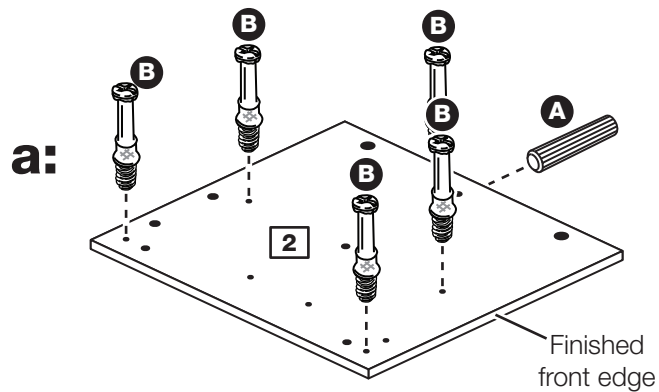
Fit the runner **M b** to the right side **2**.

The 1st screw **H** uses the 2nd hole in from the front of the runner.

The 2nd and 3rd screws **H** use the holes that line up with the other panel holes.

**c:** Fit a screw **J** into the 2nd hole in at the top of the runner **M b**.

Gently tap 2 mini blocks **I** into the right side **2**, orientated as shown.



# Assembly Instructions

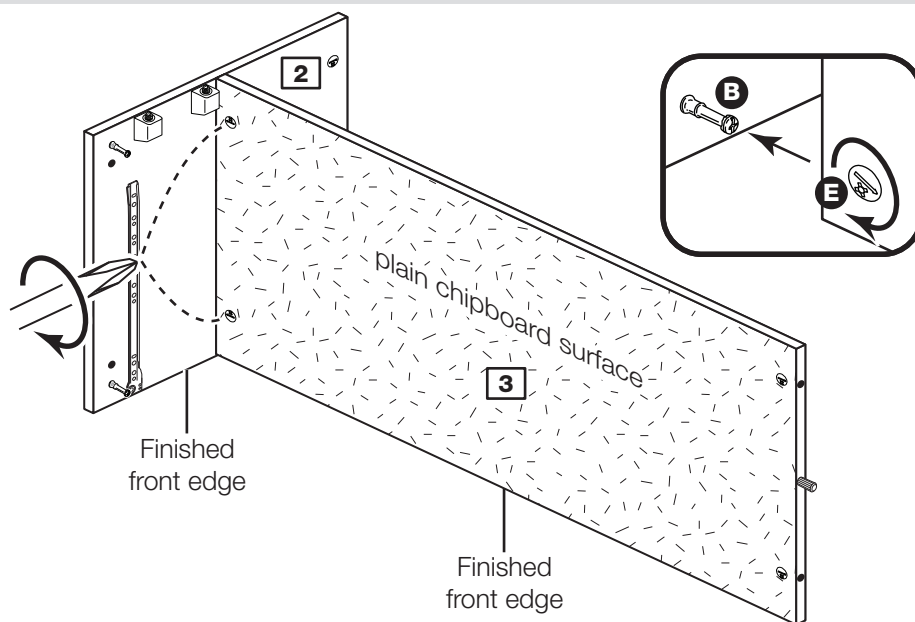
## Step 11

### Join the right side and horizontal

Push the horizontal **3** onto the right side **2**.

Use a screwdriver to tighten the 2 large locking nuts **E** fitted to the horizontal **3**.

**Note:** Turn the large locking nuts **E** as far as they will go - more than 1/2 a turn.

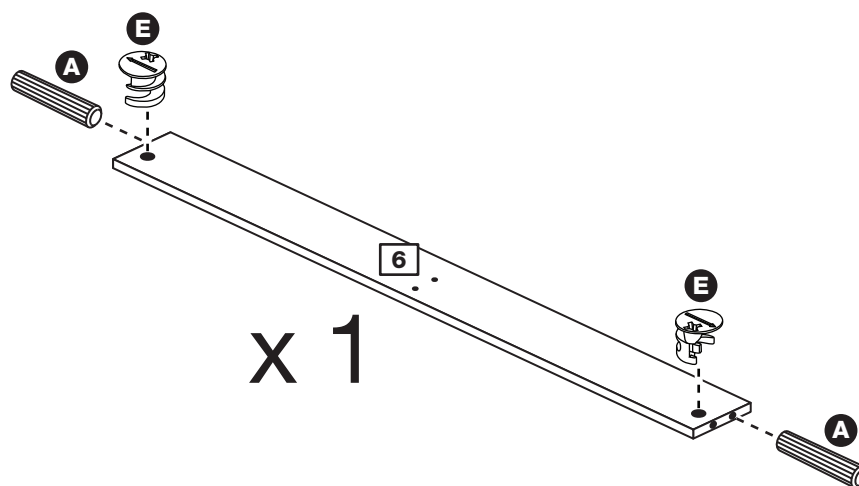


## Step 12

### Prepare 1 of the rails

Tap 2 wooden dowels **A** into a rail **6**.

Insert 2 large locking nuts **E** into a rail **6**.



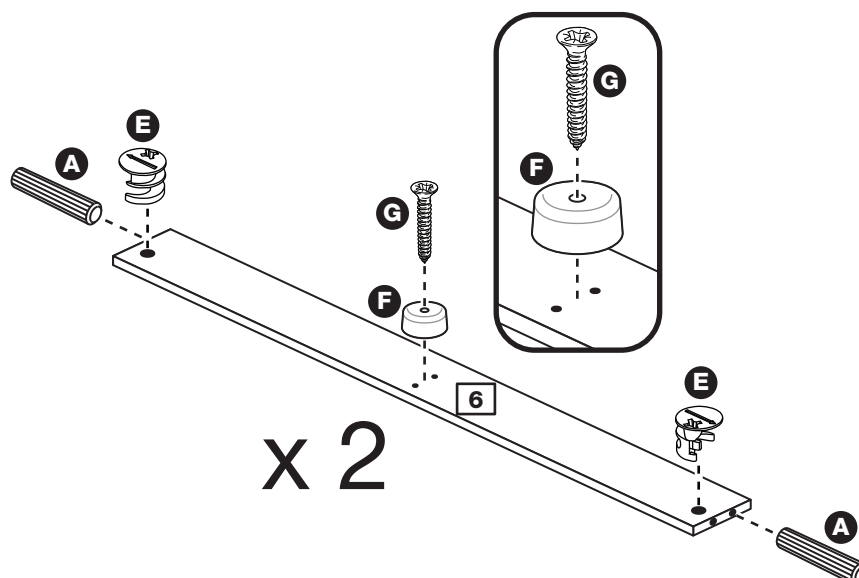
## Step 13

### Prepare the other 2 rails

Tap 2 wooden dowels **A** into each rail **6**.

Insert 2 large locking nuts **E** into each rail **6**.

Screw a foot **F** onto each rail **6** between the 2 pre-drilled holes using screws **G**.



# Assembly Instructions

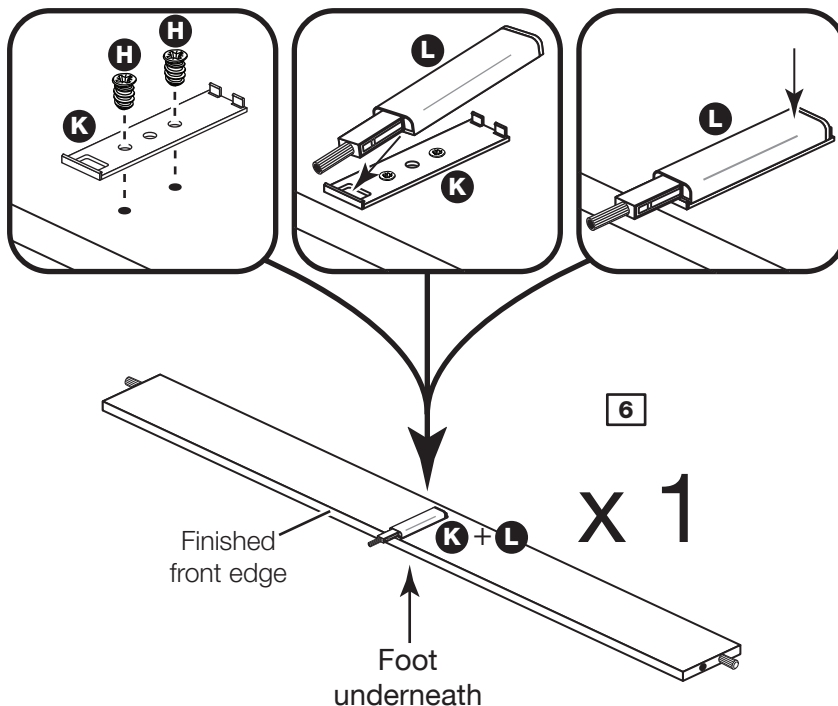
## Step 14

### Turn over 1 of the rails with a foot and fit the door push

Fit a door plate **K** to one of the rails **6** using screws **H**.

Press the door push **L** into the door plate **K**.

Press down the back of the door push **L** to click into place.

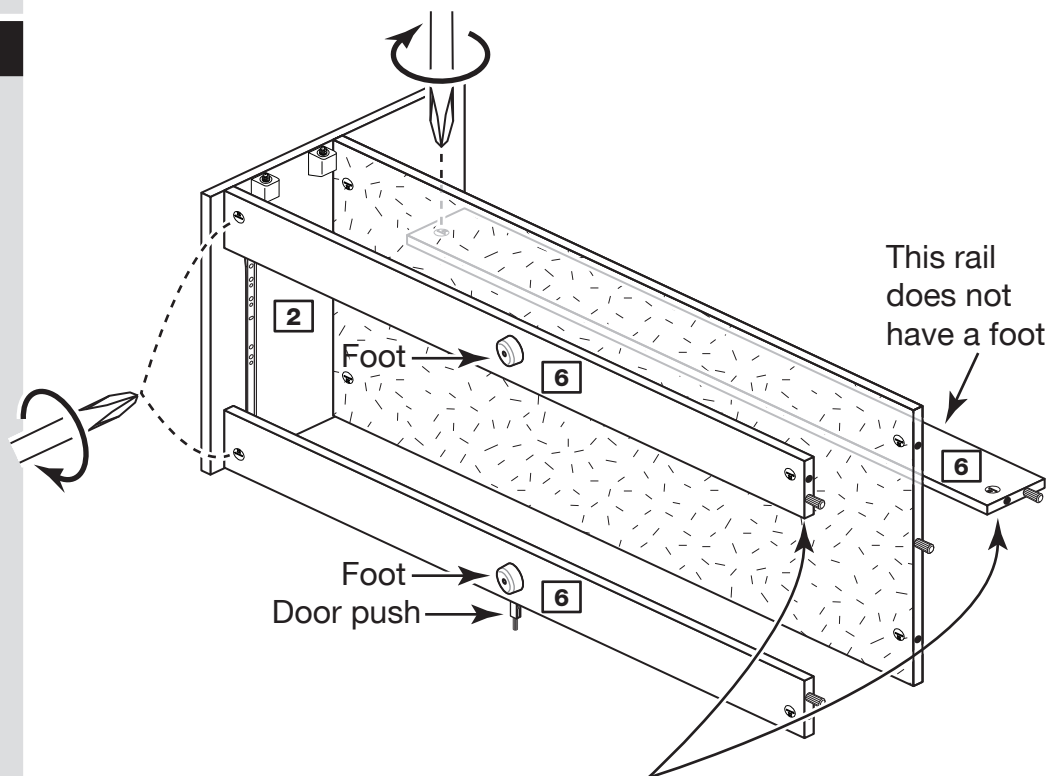


## Step 15

### Fit the 3 rails

Push the rails **6** onto the right side **2**.

Use a screwdriver to tighten the 3 large locking nuts **E** fitted to the rails **6**.



**Note:** Support these 2 rails until the left side has been fitted.

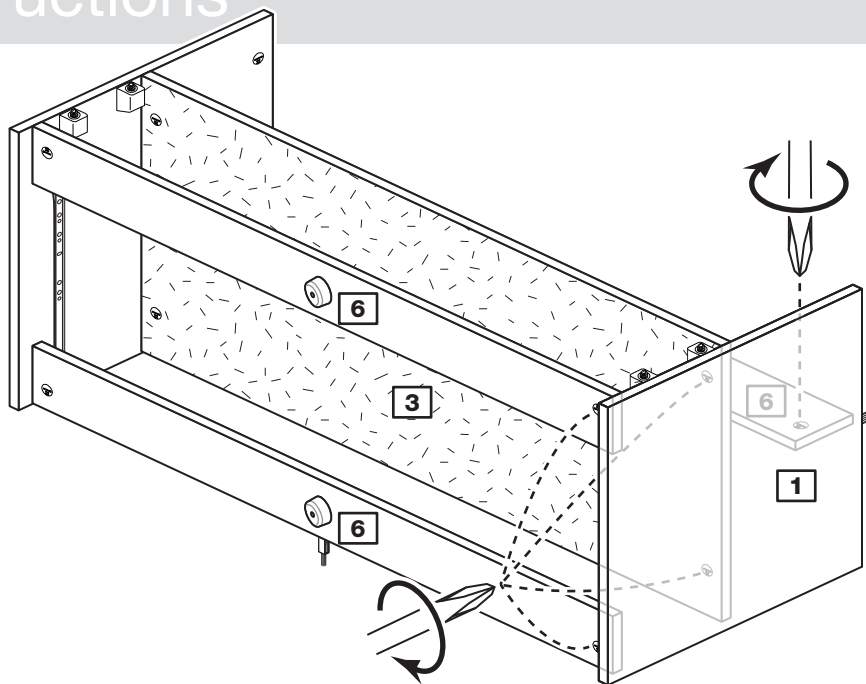
# Assembly Instructions

## Step 16

### Fit the left side

Push the left side **1** onto the assembly.

Use a screwdriver to tighten the 5 large locking nuts **E** fitted to the horizontal **3** and the rails **6**.



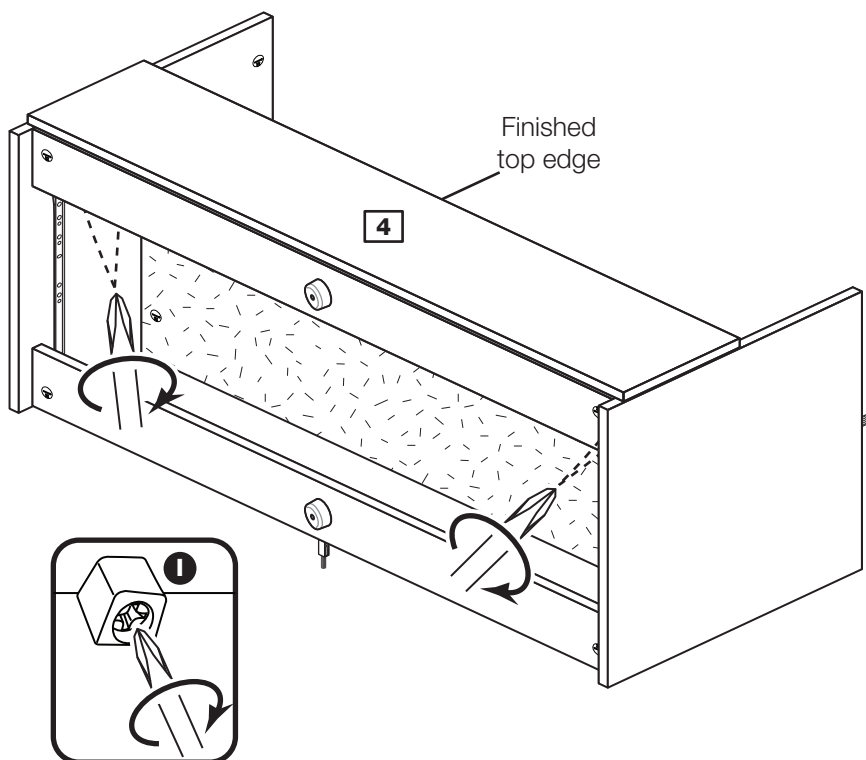
## Step 17

### Fit the back

Push the holes in the back **4** down onto the 4 mini blocks **I** fitted to the sides.

Tighten up the screws in the 4 mini blocks **I** into the holes in the back **4**.

**Carefully stand the unit up for the next step.**



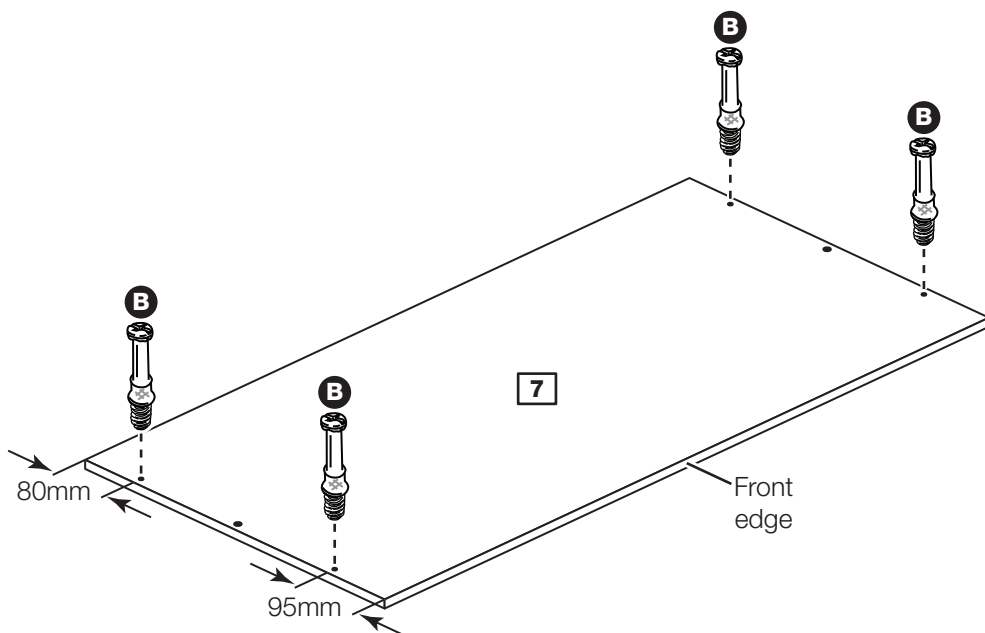
# Assembly Instructions

## Step 18

### Prepare the top

Screw 4 metal dowels **B** into the top **7**.

Use the measurements of the holes to determine which is the front edge.

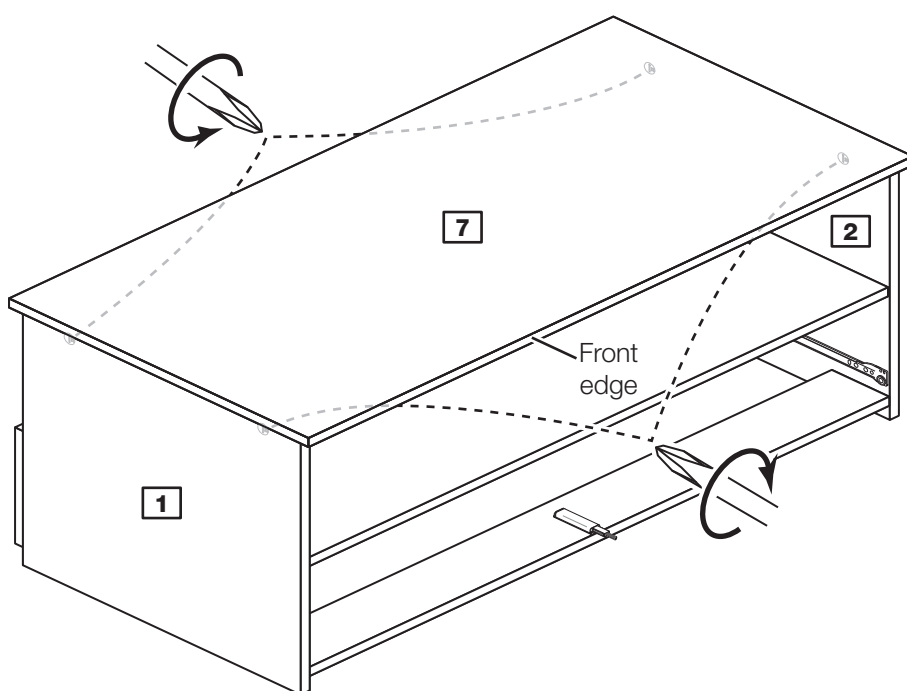


## Step 19

### Fit the top

Push the top **7** down onto the assembly.

Use a screwdriver to tighten the 4 large locking nuts **E** fitted to the left side **1** and right side **2**.



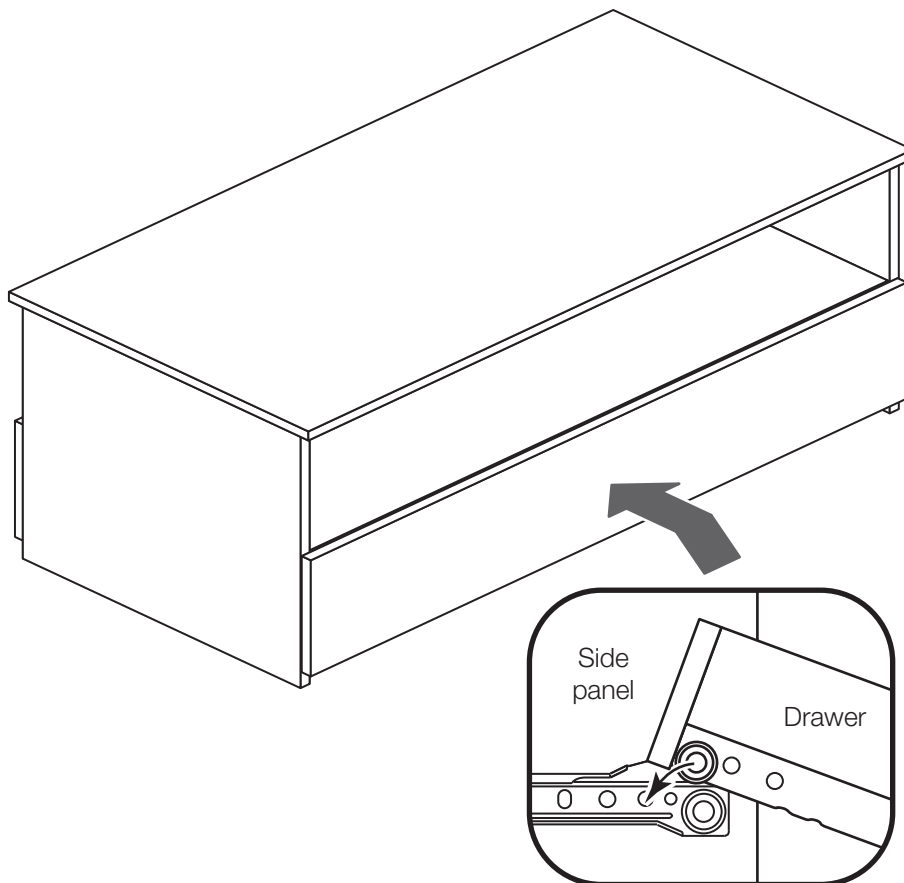
# Assembly Instructions

## Step 20

### Fit the drawer

Slide the wheels of the runners fitted to the drawer, over the wheels of the runners fitted to the side panels and push the drawer into position.

### Assembly is complete

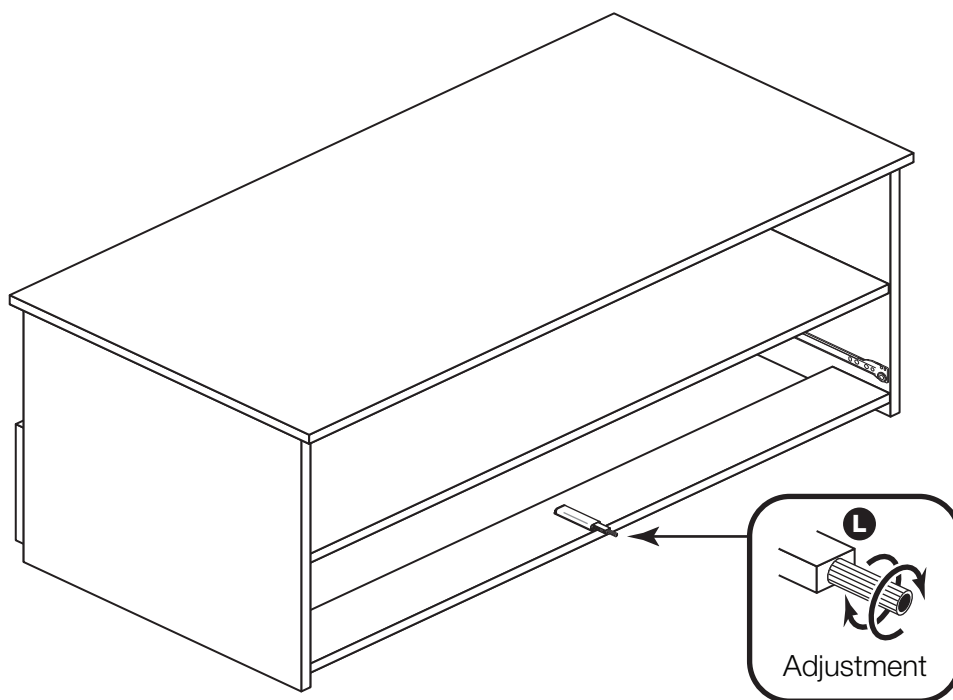


**Note:** Now the assembly has finished you can remove any protective film from the panels.

## Step 21

### Adjust the drawer if required

You can adjust the door push for the drawer in or out, by turning it clockwise or anti-clockwise to suit your requirements.



If you need help or have damaged or missing parts, call the **Customer Helpline: 08456 400800** and quote the reference numbers on the component pages.

Argos Ltd, 489-499 Avebury Boulevard, Central Milton Keynes, MK9 2NW







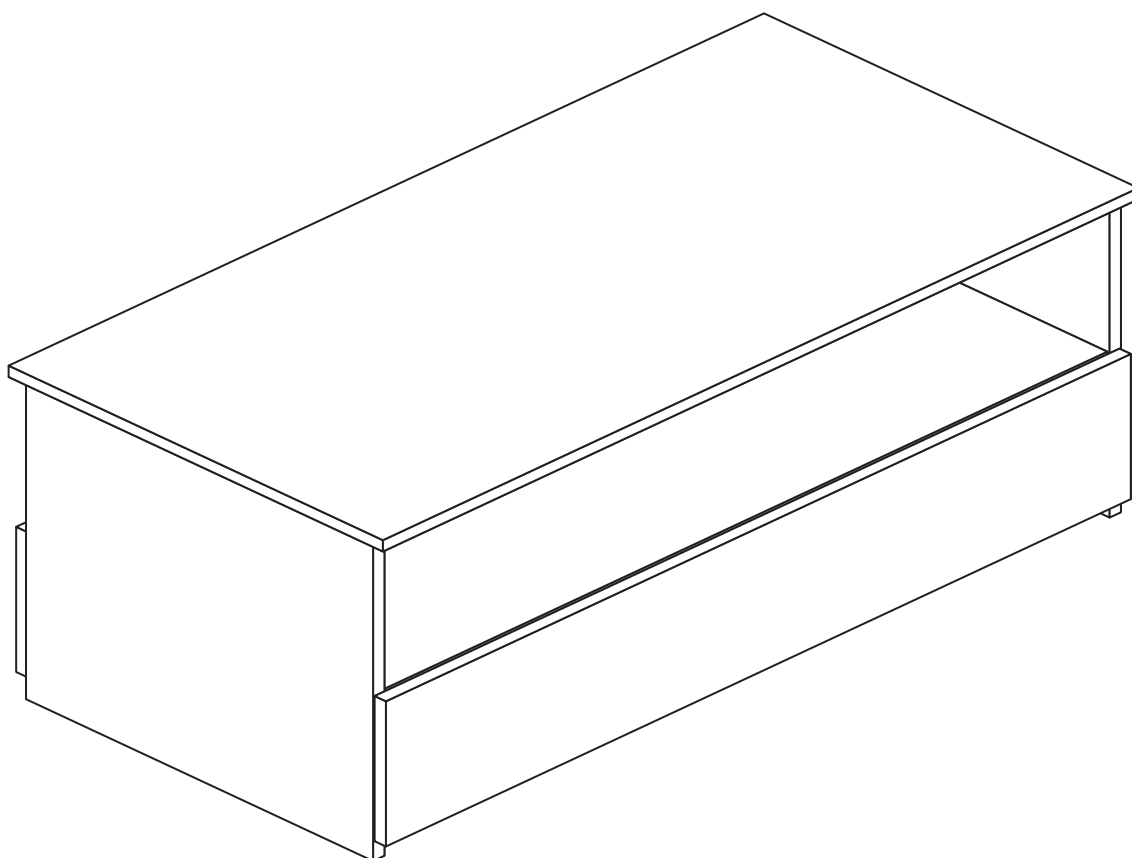
# Aurora - Coffee Table

Assembly Instructions - Please keep for future reference

147/1360

166/6553

417/9009



## Dimensions

Width - 100cm

Depth - 49.5cm

Height - 43.5cm



**MADE IN  
BRITAIN**

**Important** - Please read these instructions fully before starting assembly

If you need help or have damaged or missing parts, call the **Customer Helpline: 03456 400800**



# Safety and Care Advice

**Important - Please read these instructions fully before starting assembly**

- **Warning:** This unit weighs approximately 26kgs. Please lift with care.

- Check you have all the components and tools listed on pages 2 and 3.

- Remove all fittings from the plastic bags and separate them into their groups.

- Keep children and animals away from the work area, small parts could choke if swallowed.

- Parts of the assembly will be easier with 2 people.

- Make sure you have enough space to layout the parts before starting.

- Do not stand or put weight on the product, this could cause damage.

- Assemble the item as close to its final position (in the same room) as possible.

- Assemble on a soft level surface to avoid damaging the unit or your floor (use opened out unit carton).



- We do not recommend the use of power drill/drivers **for inserting screws**, as this could damage the unit. Only use hand screwdrivers.

- **Safety note:** If there is any chance of this unit being pulled over by children etc. it is recommended that the unit is secured to a wall using suitable fixings (not supplied).

- Dispose of all packaging carefully and responsibly.

## Care and maintenance

- Only clean using a damp cloth and mild detergent, do not use bleach or abrasive cleaners.

- From time to time check that there are no loose screws on this unit.

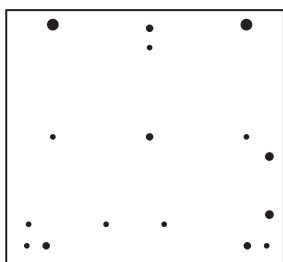
- This product should not be discarded with household waste. Take to your local authority waste disposal centre.

**Note:** If required the next page can be cut out and used as reference throughout the assembly. Keep this page with these instructions for future reference.

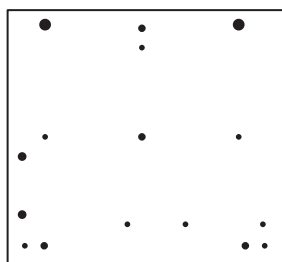
# Components - Panels

If you have damaged or missing components, call the **Customer Helpline: 03456 400800** quoting the reference numbers below

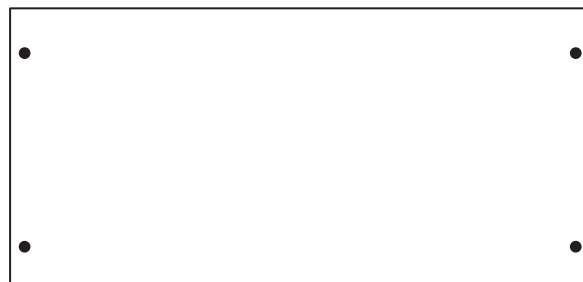
Please check you have all the panels listed below



**1** Left Side (D2638A)  
(420 x 459mm)



**2** Right Side (D2639A)  
(420 x 459mm)



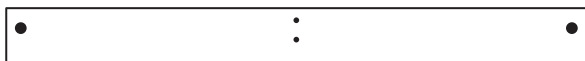
**3** Horizontal (D2640A)  
(959 x 456mm)



**4** Back (D2641A)  
(985 x 192mm)



**5** Drawer Front (D2642A)  
(985 x 192mm)



**6** Rail (D2643A)  
(959 x 95mm) x 3



**7** Top (D2644A)  
(999 x 495mm)



**8** Drawer Base (T919-347)  
(919 x 347mm)



**9** Left Drawer Side (W350-115LLH)  
(350 x 115mm)



**10** Right Drawer Side (W350-115LRH)  
(350 x 115mm)



**11** Drawer Back (W908-115)  
(908 x 115mm)

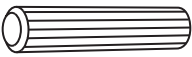
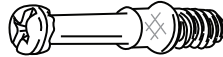



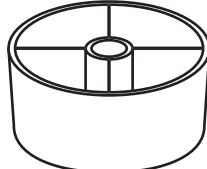


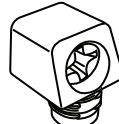

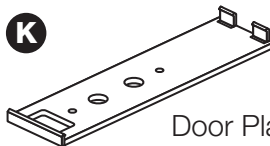
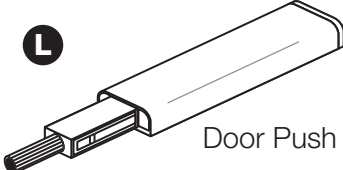
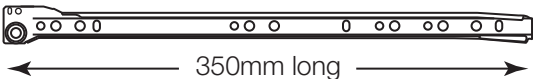

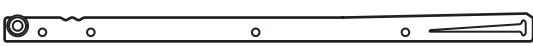
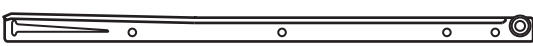



# Components - Fittings

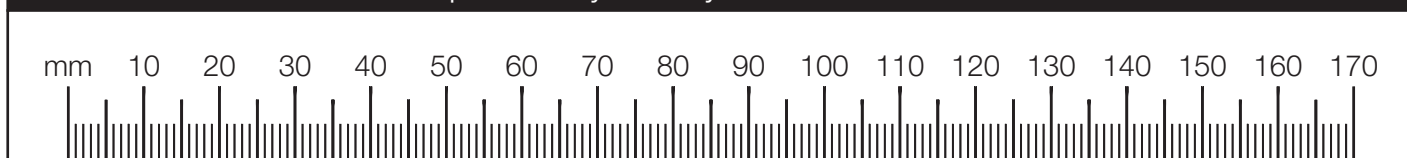
If you have damaged or missing components, call the  
**Customer Helpline: 03456 400800** quoting the reference  
 numbers below

Please check you have all the fittings listed below

**Note:** The quantities below are the correct amount to complete the assembly. In some cases more fittings may be supplied than are required.

<p><b>A</b> </p> <p>Wooden dowel (F22) x 10</p>	<p><b>B</b> </p> <p>Metal dowel (F901) x 16</p>	<p><b>C</b> </p> <p>Knock-in Peg (F171) x 4</p>
<p><b>D</b> </p> <p>Small locking nut (F3) x 2</p>	<p><b>E</b> </p> <p>Large locking nut (F900) x 14</p>	<p><b>F</b> </p> <p>Feet (F854) x 2</p>
<p><b>G</b> </p> <p>25mm Screw (F50) x 2</p>	<p><b>H</b> </p> <p>13mm Screw (F52) x 8</p>	<p><b>I</b> </p> <p>Mini block (F25) x 4</p>
<p><b>J</b> </p> <p>13mm Screw (F63) x 6</p>	<p><b>K</b> </p> <p>Door Plate (F259) x 1</p>	<p><b>L</b> </p> <p>Door Push (F258) x 1</p>
<p><b>M a</b>  L Runner (F159) x 1          ← 350mm long →</p> <p><b>M b</b>  R Runner (F160) x 1</p> <p><b>M c</b>  L Runner (F161) x 1</p> <p><b>M d</b>  R Runner (F162) x 1</p>		<p><b>N</b> </p> <p>Wedgefix (F639) x 6</p>

Ruler - Use this ruler to help correctly identify the screws



# Assembly Instructions

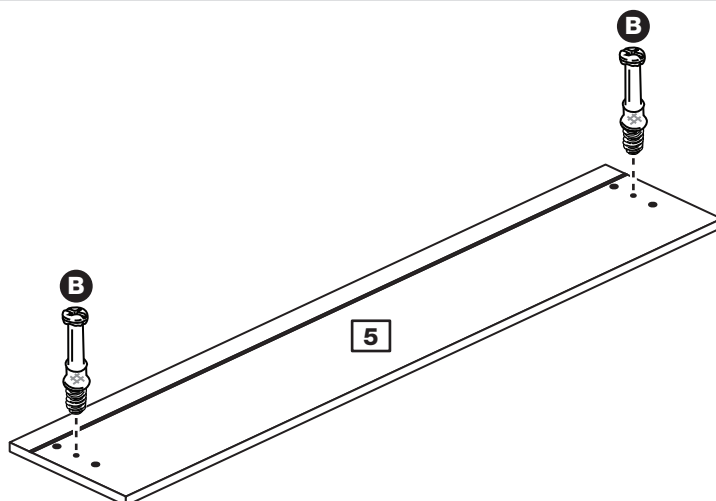
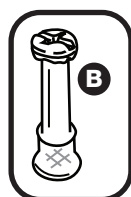
If you have damaged or missing components, call the **Customer Helpline: 03456 400800** quoting the reference numbers below

## Step 1

### Prepare the drawer front

Screw 2 metal dowels **B** into the holes shown on the back of the drawer front **5**.

**Note:** Tighten the metal dowels up fully against the panels.

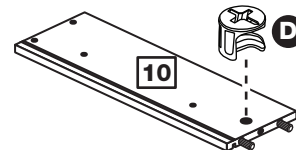
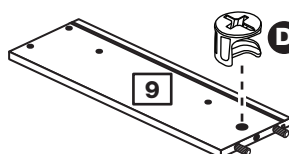
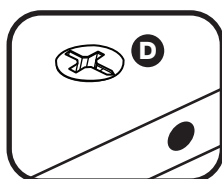


## Step 2

### Prepare the drawer sides

Insert a small locking nut **D** into the hole shown on the left drawer side **9** and right drawer side **10**.

**Note:** Arrow on locking nut **must** point towards hole in edge of panel.



## Step 3

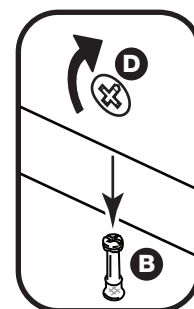
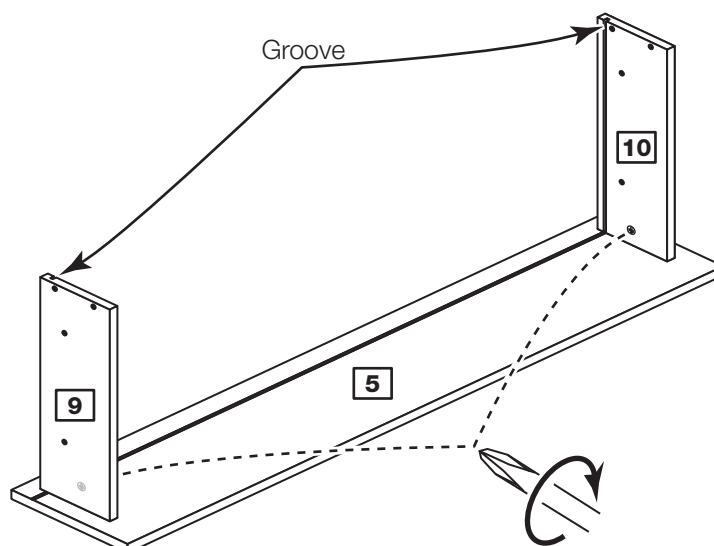
### Attach the drawer sides to the drawer front

Push the left drawer side **9** and right drawer side **10** onto the back of the drawer front **5**.

Turn the small locking nuts **D** on the left drawer side **9** and right drawer side **10**.

**Note:** Turn the locking nuts clockwise to secure panels - more than 1/2 a turn.

**Note:** The locking nuts can be on either surface of the drawer sides. Make sure that the groove is on the inside, as shown.

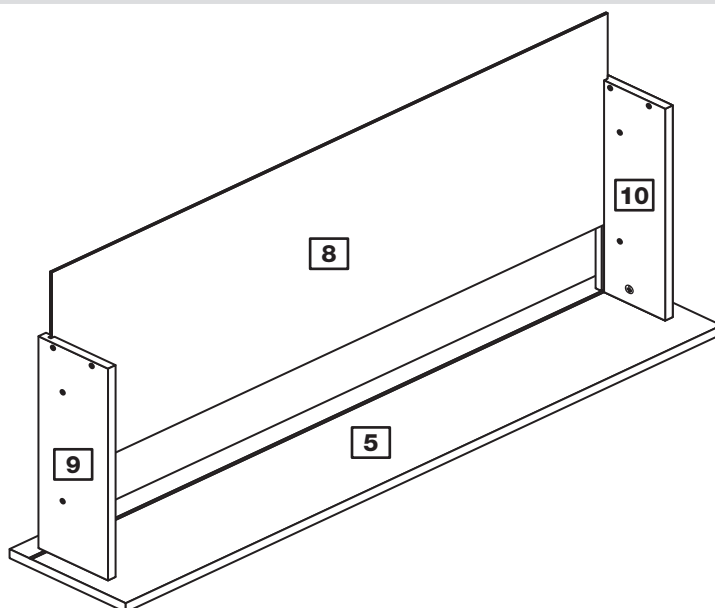


# Assembly Instructions

## Step 4

### Fit the drawer base

Slide the drawer base **8** down the grooves in the drawer sides **9** and **10** and down into the groove in the drawer front **5**.



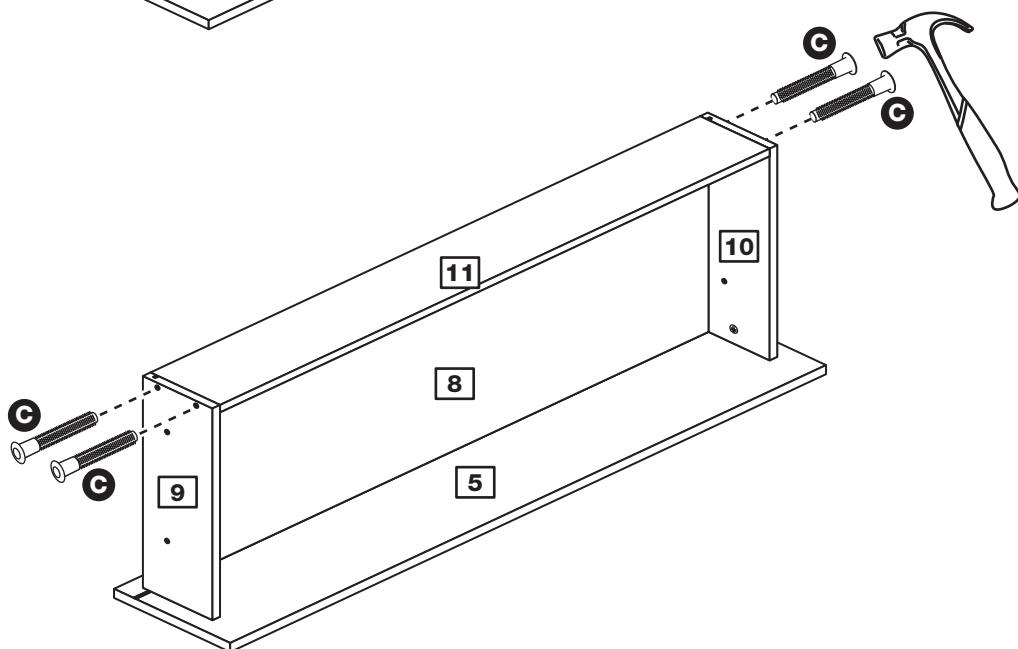
## Step 5

### Fit the drawer back

Fit the drawer back **11** between the drawer sides **9** and **10**.

Make sure that the drawer base **8** fits into the groove in the drawer back **11**.

Hold the drawer back **11** in position and tap the knock-in pegs **C** through the holes in the drawer sides **9** and **10**.



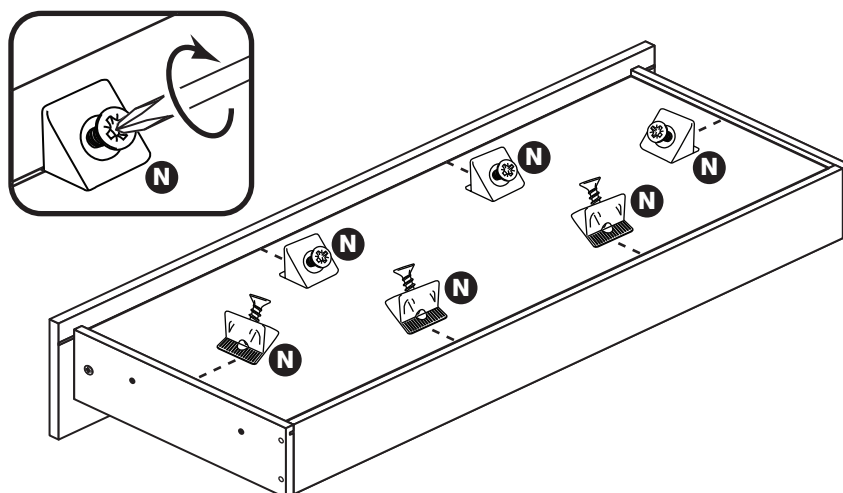
## Step 6

### Fit the 6 wedgexes

Turn the drawer assembly over.

Slide the wedgexes **N** into the small grooves on the drawer assembly, as shown.

Once in place, tighten up the screws.



# Assembly Instructions

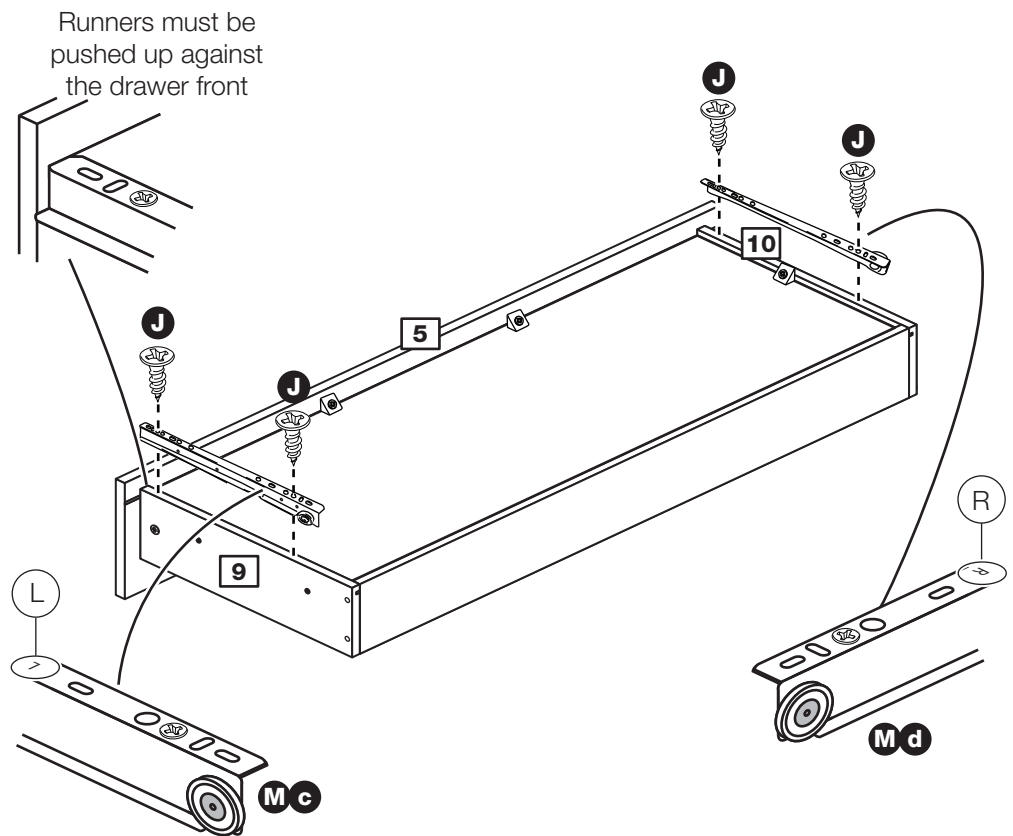
## Step 7

### Fit the runners to the drawer

Turn the drawer assembly over.

Fit runner **(M d)**, marked with 'R', to the bottom edge of the right drawer side **(10)**, as shown, making sure that it is pushed up against the back of the drawer front **(5)**. Use a bradawl to mark the fixing positions, then secure with 2 screws **(J)**.

Fit runner **(M c)**, marked 'L', to the bottom edge of the left drawer side **(9)** using the same method.



## Step 8

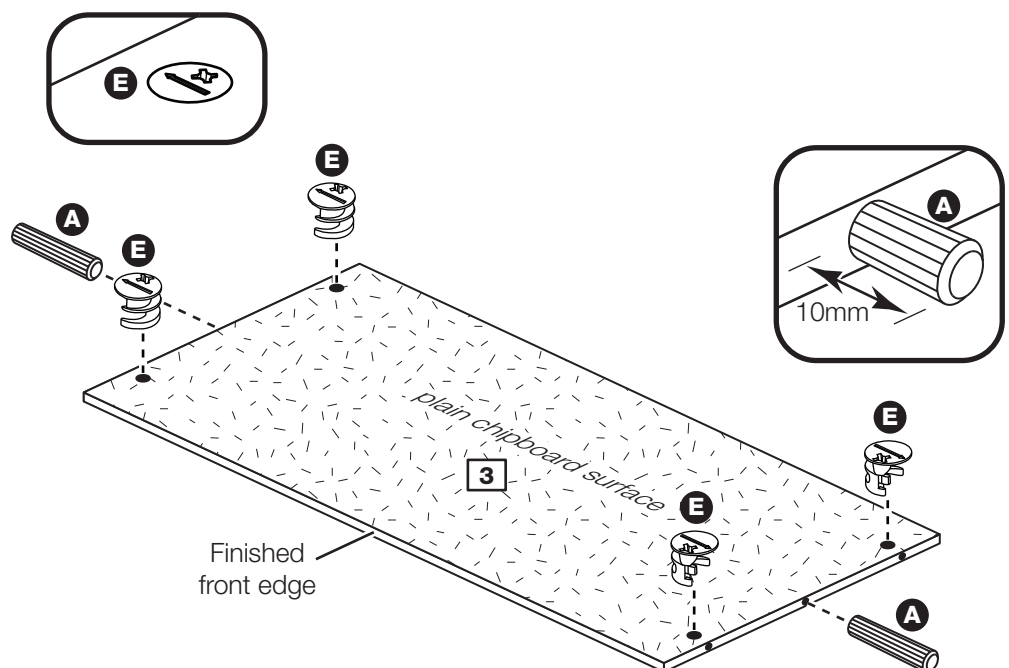
### Prepare the horizontal

Tap 2 wooden dowels **(A)** into the horizontal **(3)**.

**Note:** Wooden dowels **must not** stick out from the edge by more than 10mm or they may damage other panels.

Insert 4 large locking nuts **(E)** into the horizontal **(3)**.

**Note:** The arrow on the locking nut **must** point towards the hole in the edge of the panel.



# Assembly Instructions

## Step 9

### Prepare the left side

**a:** Tap a wooden dowel **A** into the left side **1**.

Screw 5 metal dowels **B** into the left side **1**.

**b:** Insert 2 large locking nuts **E** into the left side **1**.

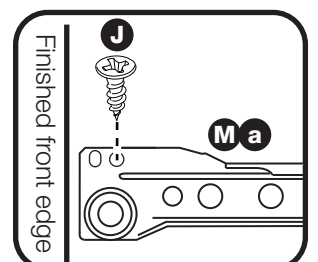
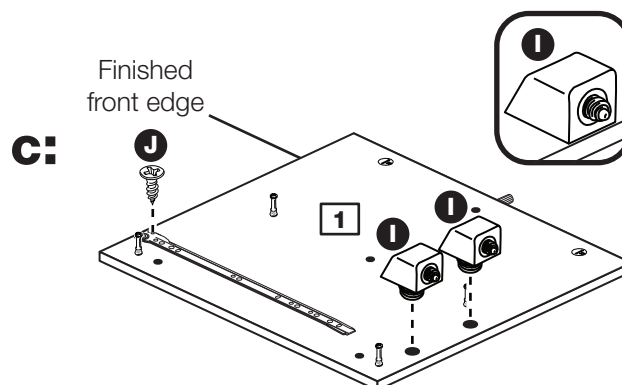
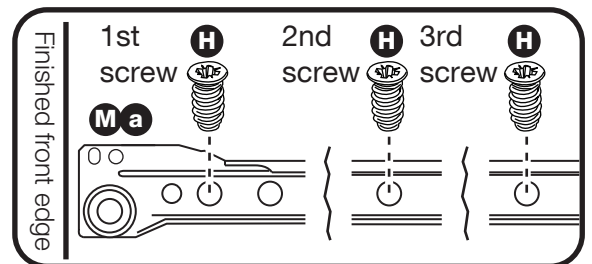
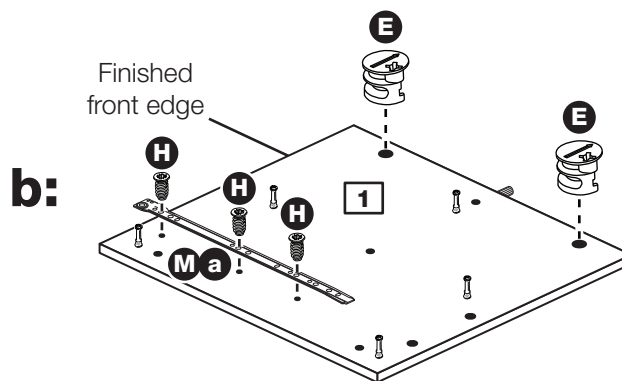
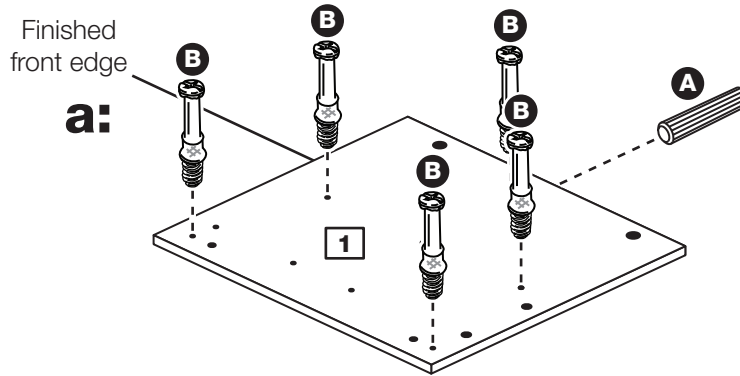
Fit the runner **Ma** to the left side **1**.

The 1st screw **H** uses the 2nd hole in from the front of the runner.

The 2nd and 3rd screws **H** use the holes that line up with the other panel holes.

**c:** Fit a screw **J** into the 2nd hole in at the top of the runner **Ma**.

Gently tap 2 mini blocks **I** into the left side **1**, orientated as shown.





# Assembly Instructions

## Step 10

### Prepare the right side

**a:** Tap a wooden dowel **A** into the right side **2**.

Screw 5 metal dowels **B** into the right side **2**.

**b:** Insert 2 large locking nuts **E** into the right side **2**.

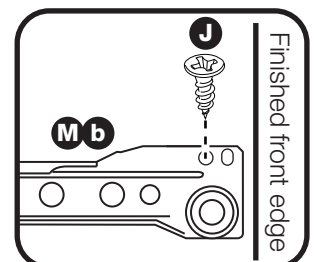
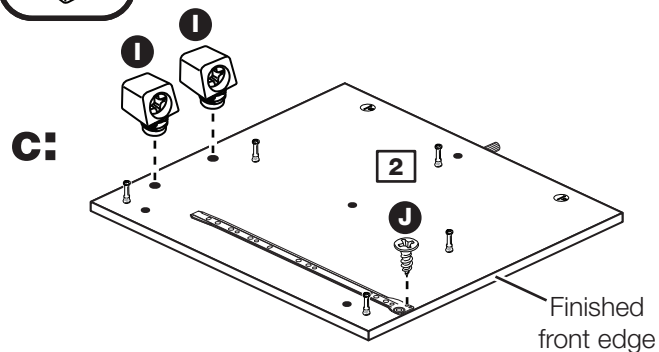
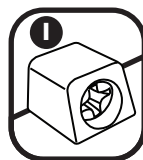
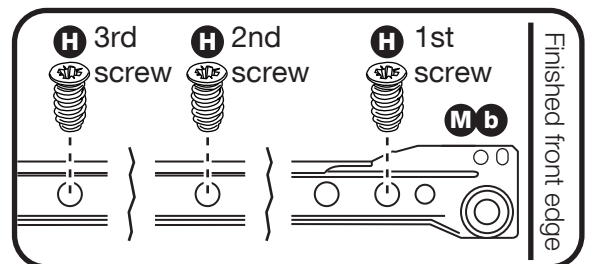
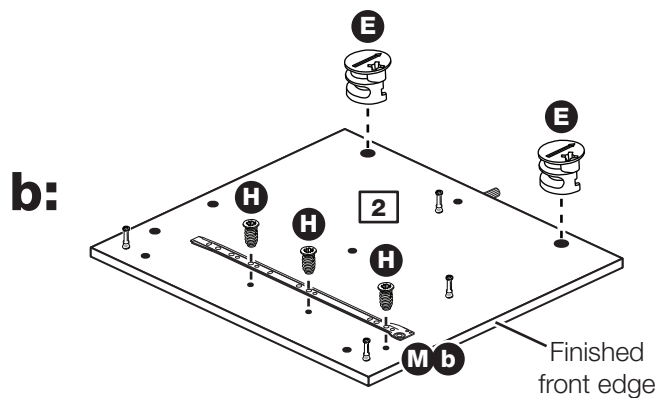
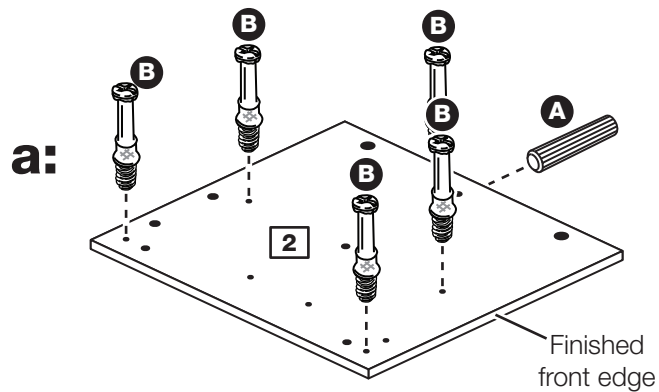
Fit the runner **M b** to the right side **2**.

The 1st screw **H** uses the 2nd hole in from the front of the runner.

The 2nd and 3rd screws **H** use the holes that line up with the other panel holes.

**c:** Fit a screw **J** into the 2nd hole in at the top of the runner **M b**.

Gently tap 2 mini blocks **I** into the right side **2**, orientated as shown.



# Assembly Instructions

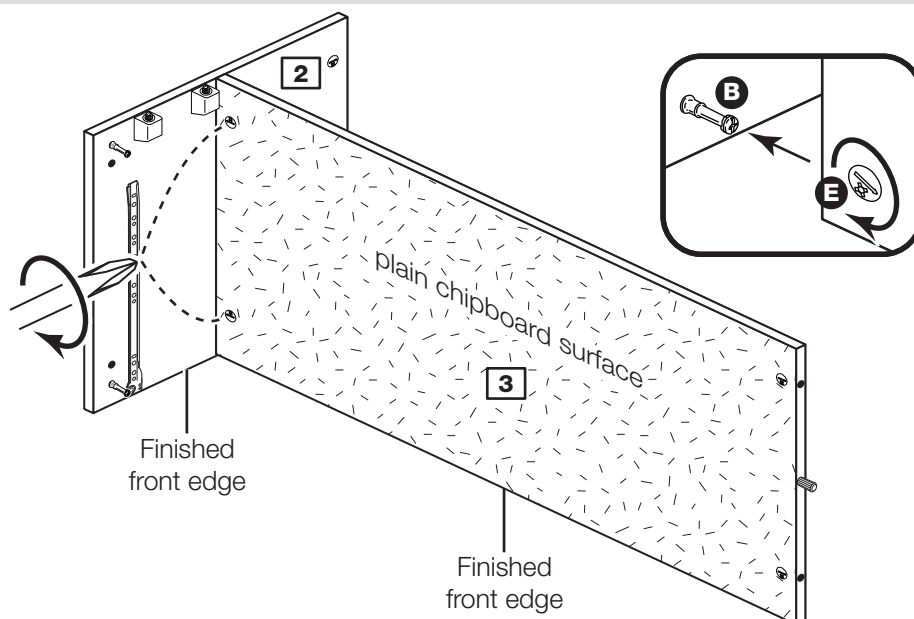
## Step 11

### Join the right side and horizontal

Push the horizontal **3** onto the right side **2**.

Use a screwdriver to tighten the 2 large locking nuts **E** fitted to the horizontal **3**.

**Note:** Turn the large locking nuts **E** as far as they will go - more than 1/2 a turn.

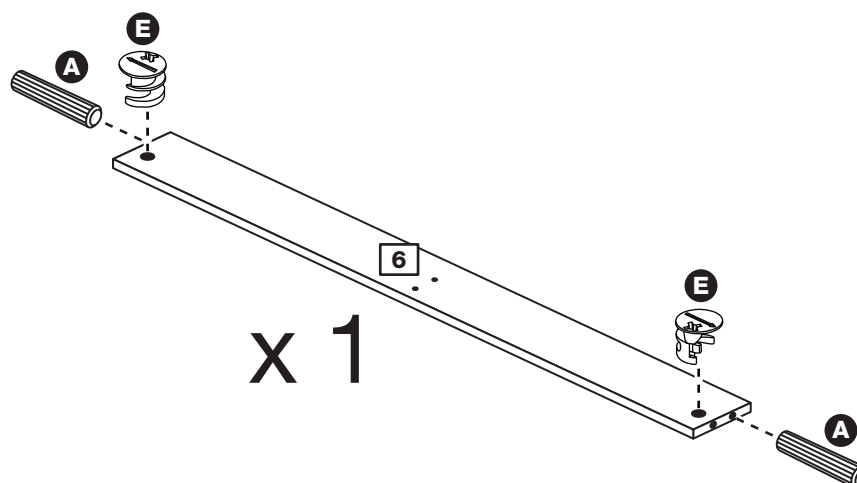


## Step 12

### Prepare 1 of the rails

Tap 2 wooden dowels **A** into a rail **6**.

Insert 2 large locking nuts **E** into a rail **6**.



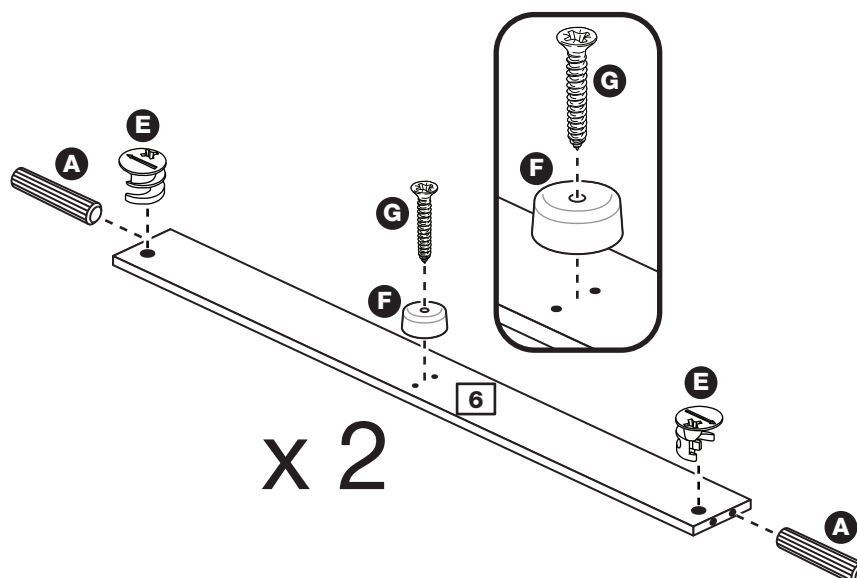
## Step 13

### Prepare the other 2 rails

Tap 2 wooden dowels **A** into each rail **6**.

Insert 2 large locking nuts **E** into each rail **6**.

Screw a foot **F** onto each rail **6** between the 2 pre-drilled holes using screws **G**.



# Assembly Instructions

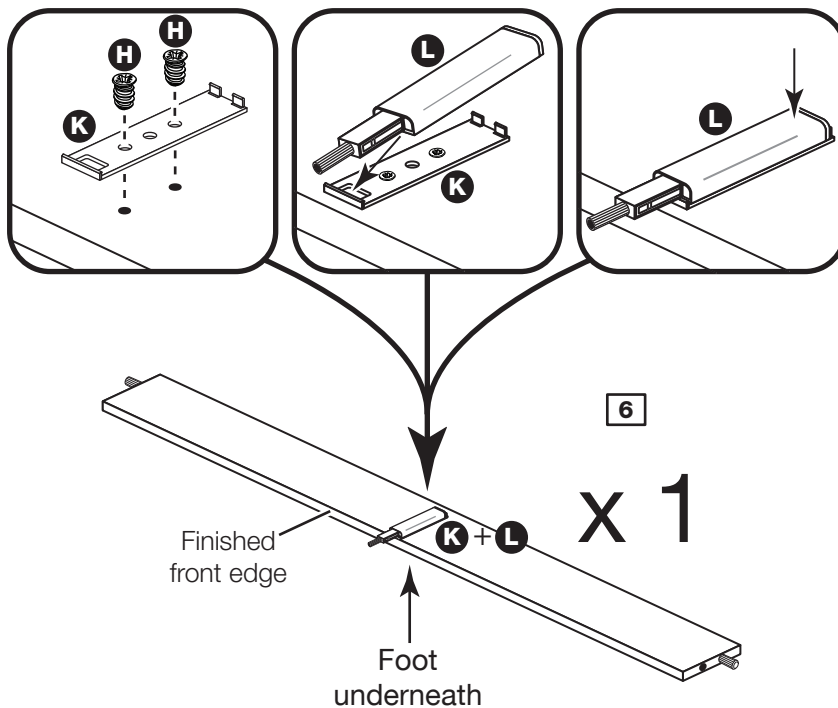
## Step 14

### Turn over 1 of the rails with a foot and fit the door push

Fit a door plate **K** to one of the rails **6** using screws **H**.

Press the door push **L** into the door plate **K**.

Press down the back of the door push **L** to click into place.

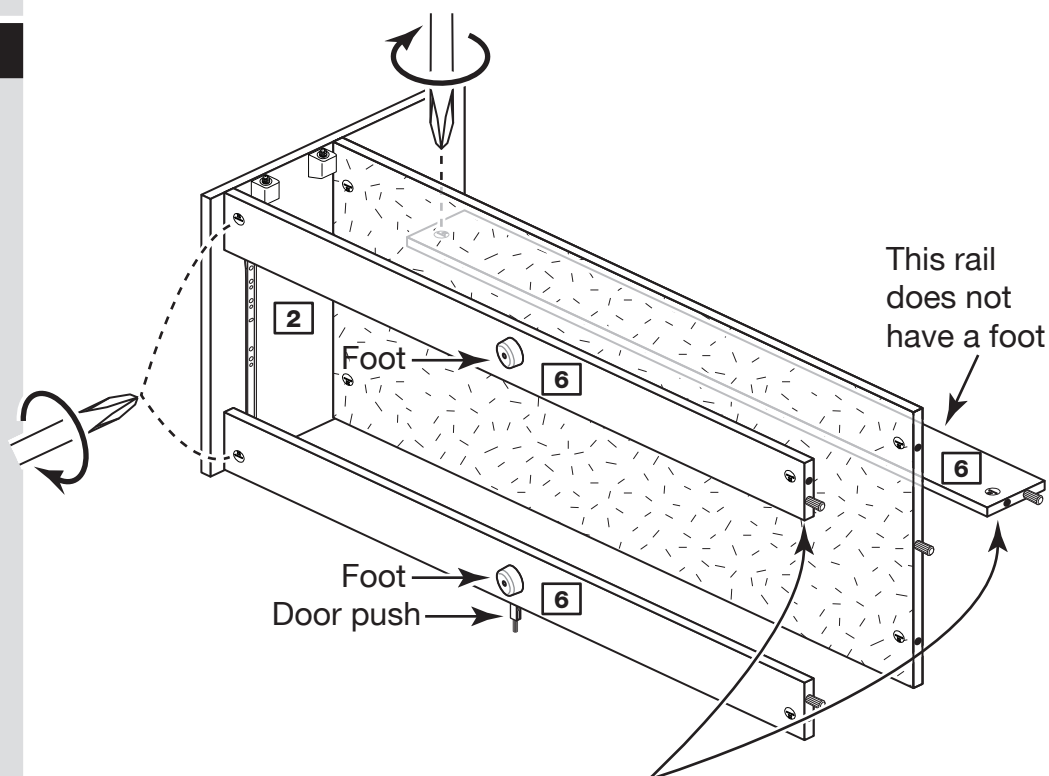


## Step 15

### Fit the 3 rails

Push the rails **6** onto the right side **2**.

Use a screwdriver to tighten the 3 large locking nuts **E** fitted to the rails **6**.



**Note:** Support these 2 rails until the left side has been fitted.

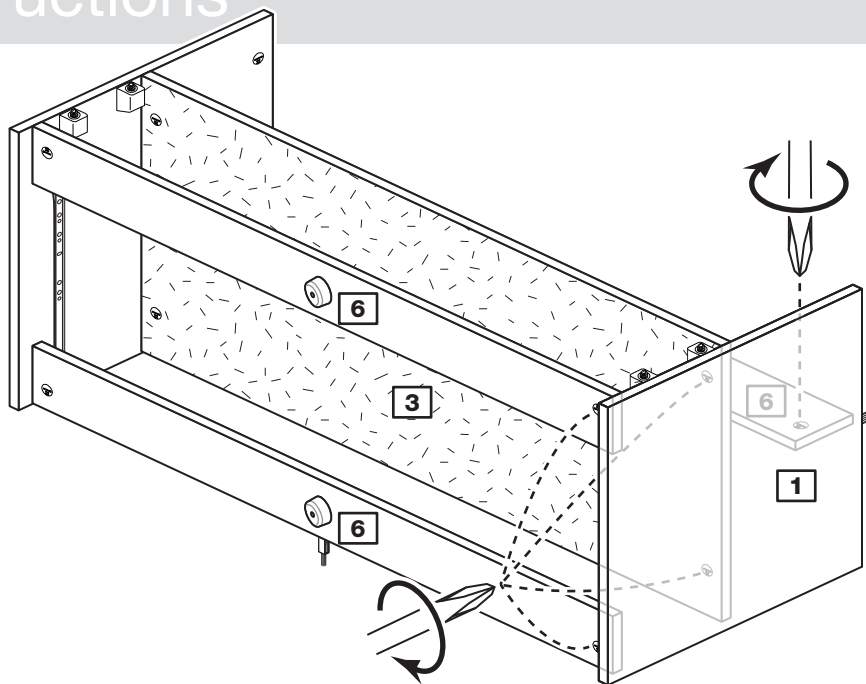
# Assembly Instructions

## Step 16

### Fit the left side

Push the left side **1** onto the assembly.

Use a screwdriver to tighten the 5 large locking nuts **E** fitted to the horizontal **3** and the rails **6**.



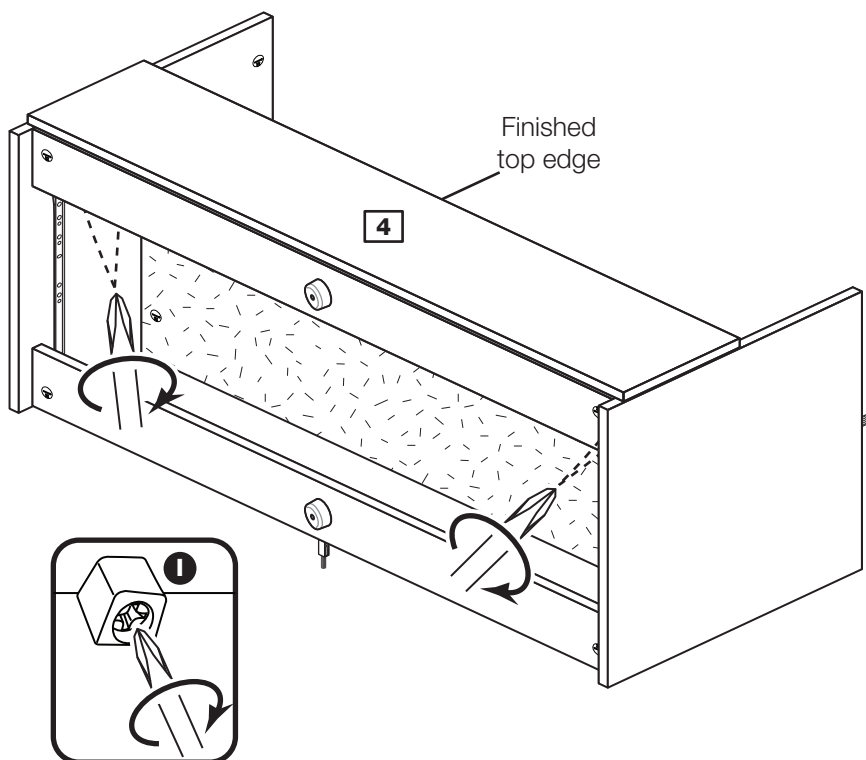
## Step 17

### Fit the back

Push the holes in the back **4** down onto the 4 mini blocks **I** fitted to the sides.

Tighten up the screws in the 4 mini blocks **I** into the holes in the back **4**.

**Carefully stand the unit up for the next step.**



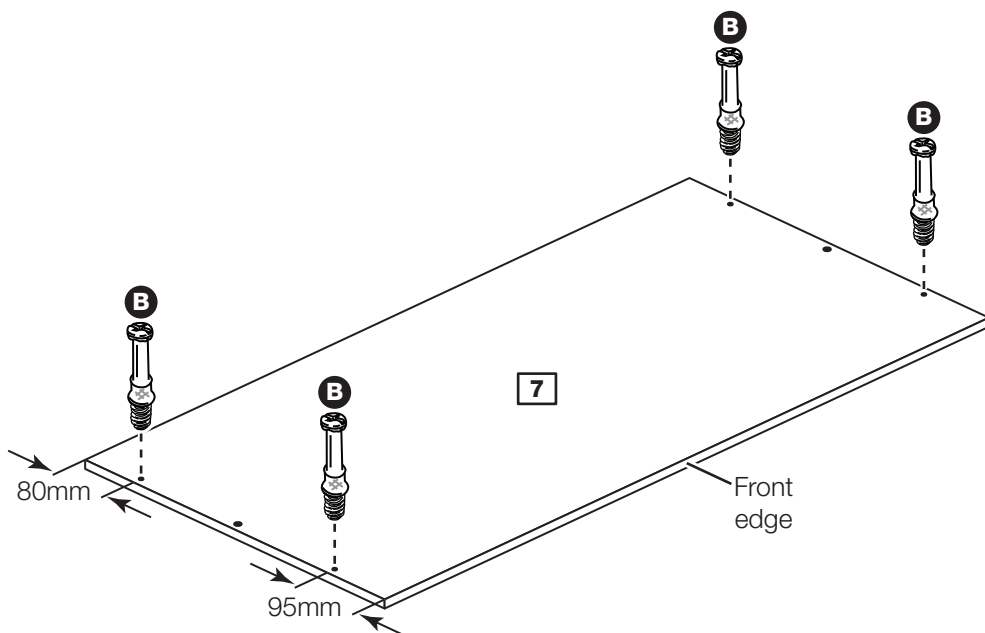
# Assembly Instructions

## Step 18

### Prepare the top

Screw 4 metal dowels **B** into the top **7**.

Use the measurements of the holes to determine which is the front edge.

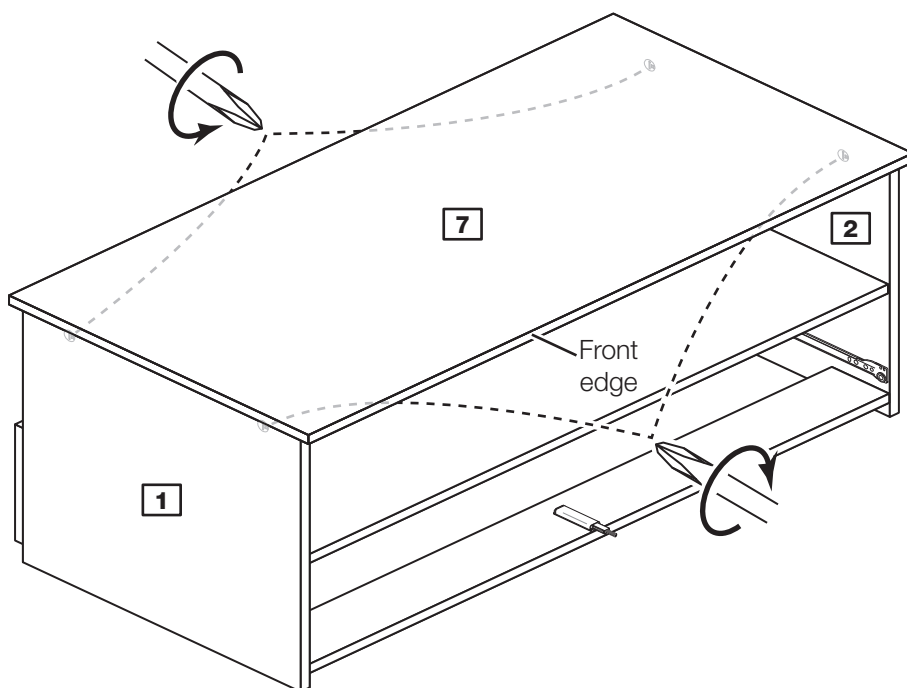


## Step 19

### Fit the top

Push the top **7** down onto the assembly.

Use a screwdriver to tighten the 4 large locking nuts **E** fitted to the left side **1** and right side **2**.



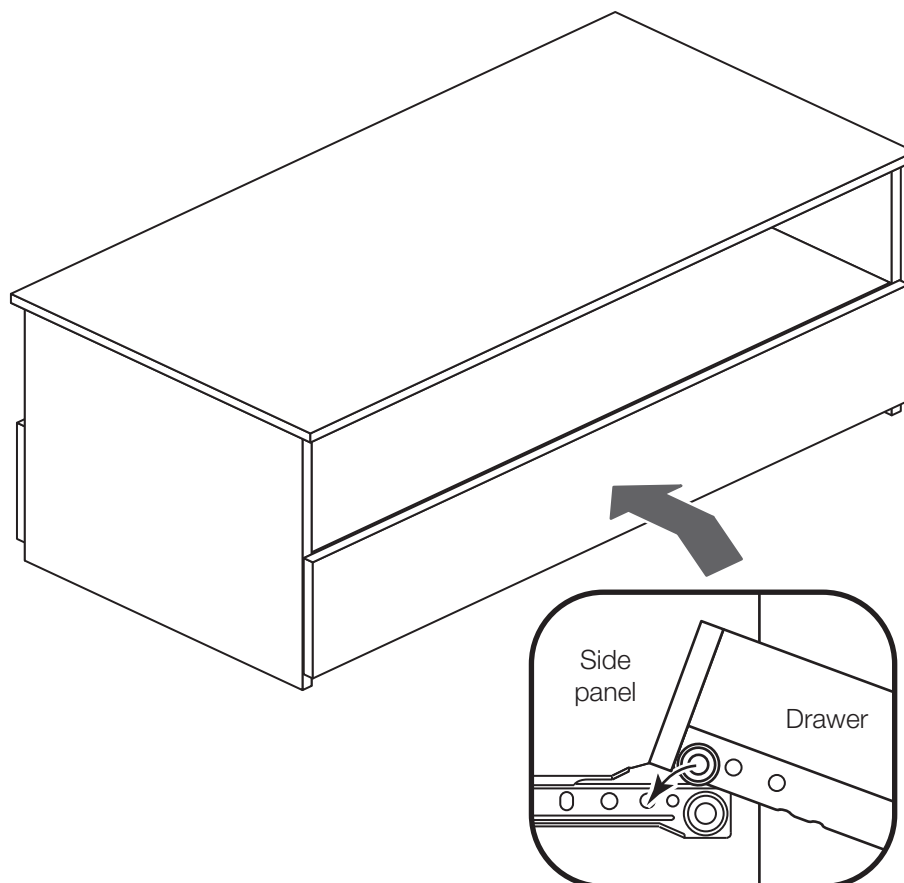
# Assembly Instructions

## Step 20

### Fit the drawer

Slide the wheels of the runners fitted to the drawer, over the wheels of the runners fitted to the side panels and push the drawer into position.

### Assembly is complete

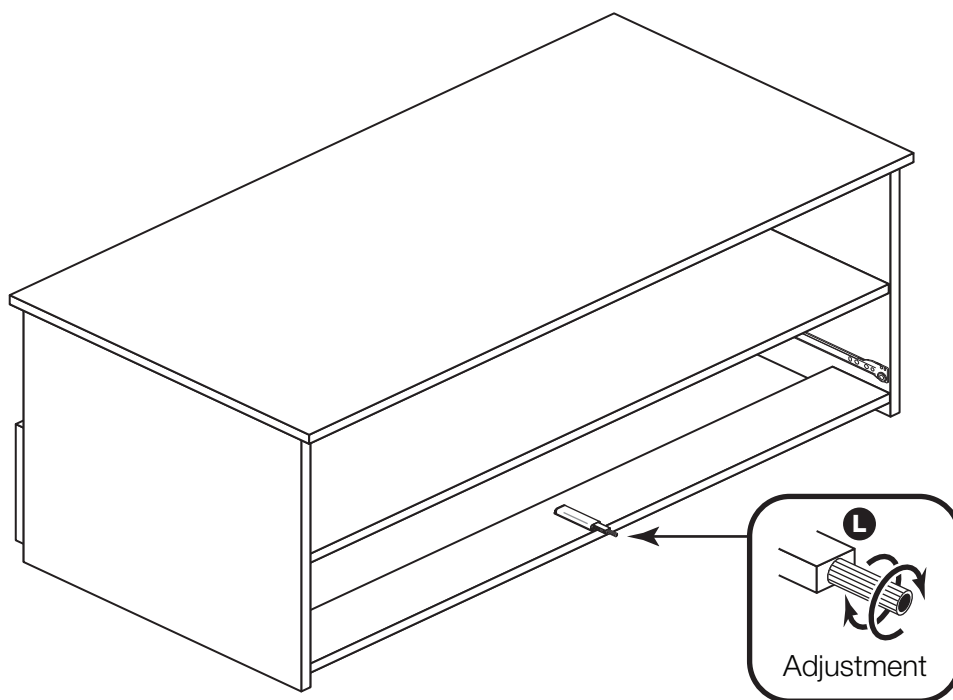


**Note:** Now the assembly has finished you can remove any protective film from the panels.

## Step 21

### Adjust the drawer if required

You can adjust the door push for the drawer in or out, by turning it clockwise or anti-clockwise to suit your requirements.



If you need help or have damaged or missing parts, call the **Customer Helpline: 03456 400800** and quote the reference numbers on the component pages.

Argos Ltd, 489-499 Avebury Boulevard, Central Milton Keynes, MK9 2NW



