

Seville - 3 Drawer Chest

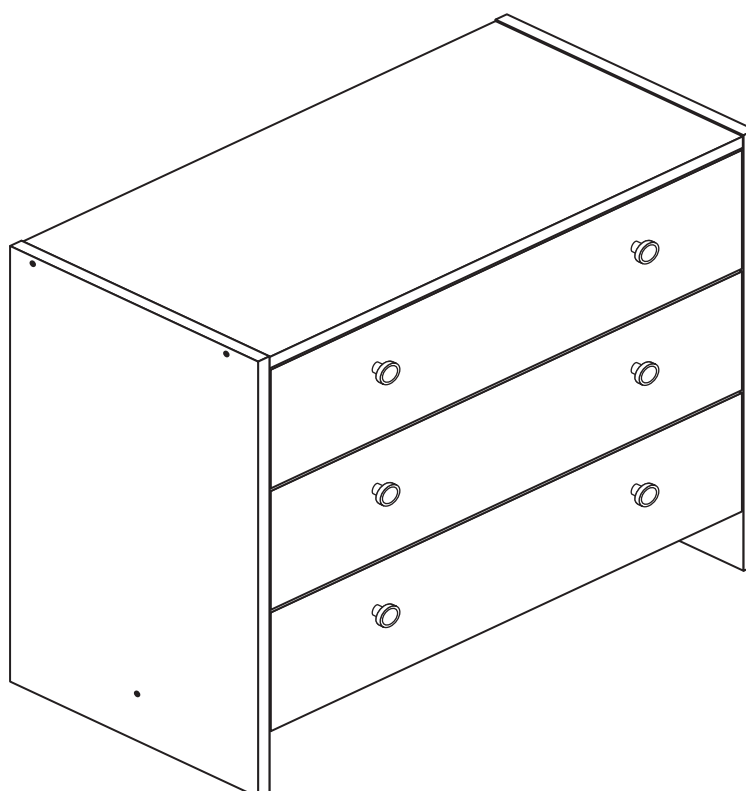
Assembly Instructions - Please keep for future reference

151/3297

161/7739

170/2187

166/5413



Dimensions

Width - 66cm

Depth - 33cm

Height - 58cm



**MADE IN
BRITAIN**

Important - Please read these instructions fully before starting assembly

If you need help or have damaged or missing parts, call the **Customer Helpline: 0870 112 1928** or email: Help@ClickSpares.co.uk (quoting your original order number)



Safety and Care Advice

Important - Please read these instructions fully before starting assembly

- **Warning:** This unit weighs approximately 14kgs. Please lift with care.

- Check you have all the components and tools listed on pages 2 and 3.

- Remove all fittings from the plastic bags and separate them into their groups.

- Keep children and animals away from the work area, small parts could choke if swallowed.

- Parts of the assembly will be easier with 2 people.

- Make sure you have enough space to layout the parts before starting.

- Do not stand or put weight on the product, this could cause damage.

- Assemble the item as close to its final position (in the same room) as possible.

- Assemble on a soft level surface to avoid damaging the unit or your floor (use opened out unit carton).



- We do not recommend the use of power drill/drivers **for inserting screws**, as this could damage the unit. Only use hand screwdrivers.

- **Safety note:** If there is any chance of this unit being pulled over by children etc. it is recommended that the unit is secured to a wall using suitable fixings (not supplied).

- Dispose of all packaging carefully and responsibly.

Care and maintenance

- Only clean using a damp cloth and mild detergent, do not use bleach or abrasive cleaners.

- From time to time check that there are no loose screws on this unit.

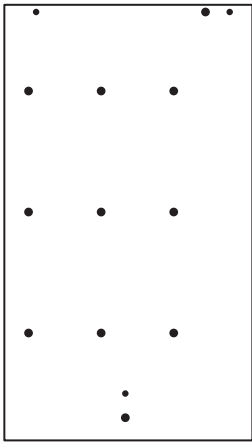
- This product should not be discarded with household waste. Take to your local authority waste disposal centre.

Note: If required the next page can be cut out and used as reference throughout the assembly. Keep this page with these instructions for future reference.

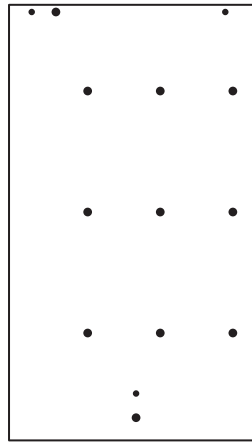
Components - Panels

If you have damaged or missing components, call the **Customer Helpline: 0870 112 1928** or email: **Help@ClickSpares.co.uk** (quoting your original order number and the reference numbers below)

Please check you have all the panels listed below



1 Left Side (D2489A)
(576 x 328mm)



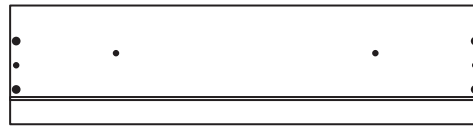
2 Right Side (D2490A)
(576 x 328mm)



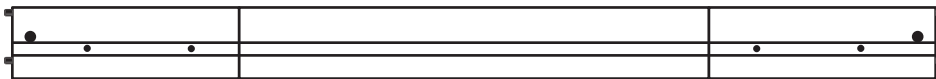
3 Top (D2488A)
(627 x 327mm)



4 Plinth (D2491A)
(627 x 80mm)



5 Drawer Front (D2492A)
(623 x 157mm) x 3



6 Drawer Wrap (WSAV)
(1221 x 95mm) x 3



7 Drawer Base White : TSAV(T608-299)
(608 x 299mm) x 3



8 Back (X328-653)
(328 x 653mm)


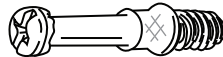



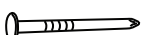
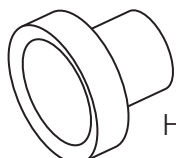
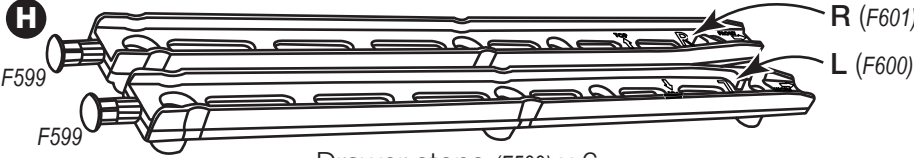


Components - Fittings

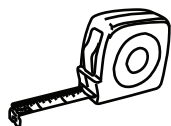
If you have damaged or missing components, call the **Customer Helpline: 0870 112 1928** or **email: Help@ClickSpares.co.uk** (quoting your original order number and the reference numbers below)

Please check you have all the fittings listed below

Note: The quantities below are the correct amount to complete the assembly. In some cases more fittings may be supplied than are required.

<p>A </p> <p>Wooden dowel (F22) x 4</p>	<p>B </p> <p>Metal dowel (F901) x 6</p>	<p>C </p> <p>Small locking nut (F3) x 6</p>
<p>D </p> <p>40mm Screw (F910) x 6</p>	<p>E </p> <p>25mm Screw (F95) x 6</p>	<p>F </p> <p>Nail (F51) x 15</p>
<p>G </p> <p>Handle (F300) x 6</p>	<p>H </p> <p>Drawer stops (F599) x 6 Runners (F600) x 3 and (F601) x 3</p>	

Tools required



Rule



Cross-head screwdriver



Scissors

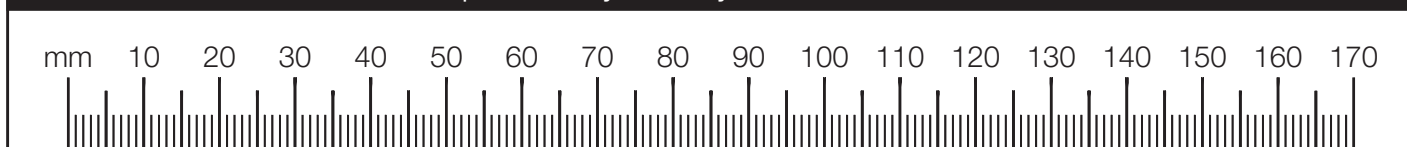


Hammer



Eye protection (when using a hammer or drill)

Ruler - Use this ruler to help correctly identify the screws



Assembly Instructions

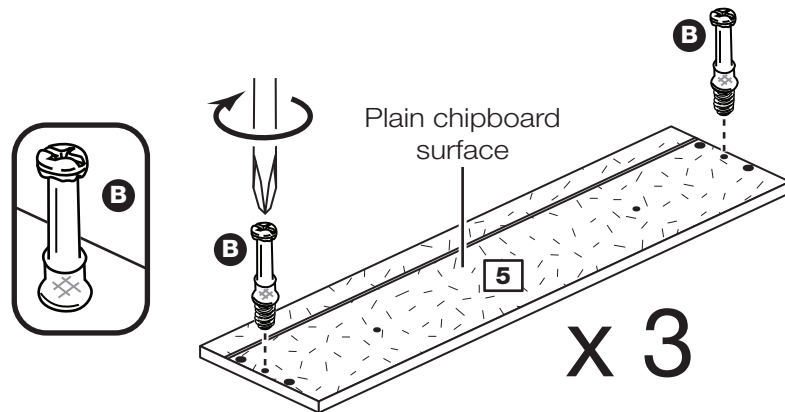
If you have damaged or missing components, call the Customer Helpline: 0870 112 1928 or email: Help@ClickSpares.co.uk (quoting your original order number and the reference numbers below)

Step 1

Prepare the drawer fronts

Screw 2 metal dowels **B** into each of the drawer fronts **5**.

Note: Tighten the metal dowels up fully against the panel.

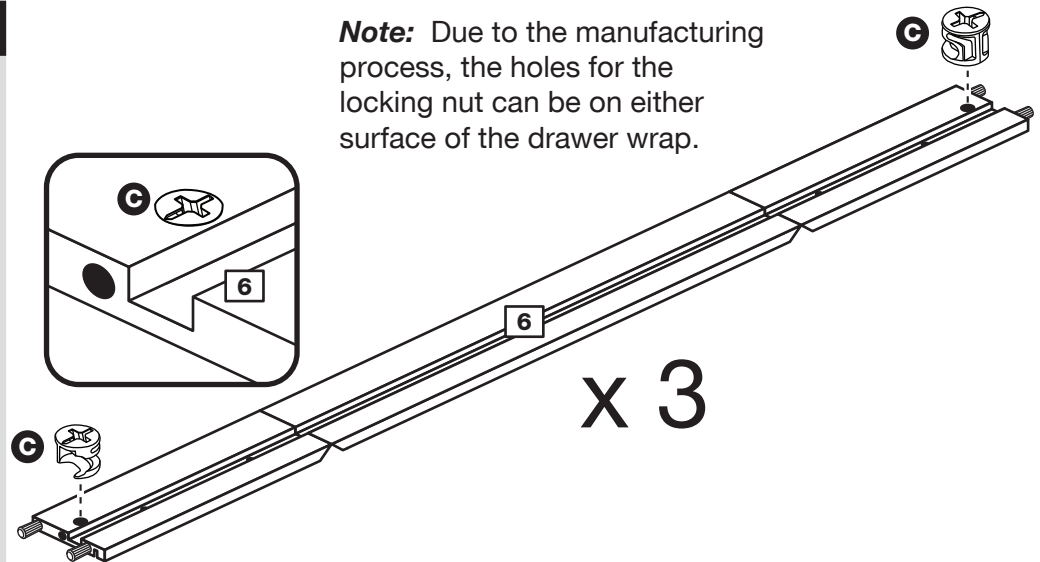


Step 2

Prepare the drawer wraps

Insert 2 small locking nuts **C** into each of the drawer wraps **6**.

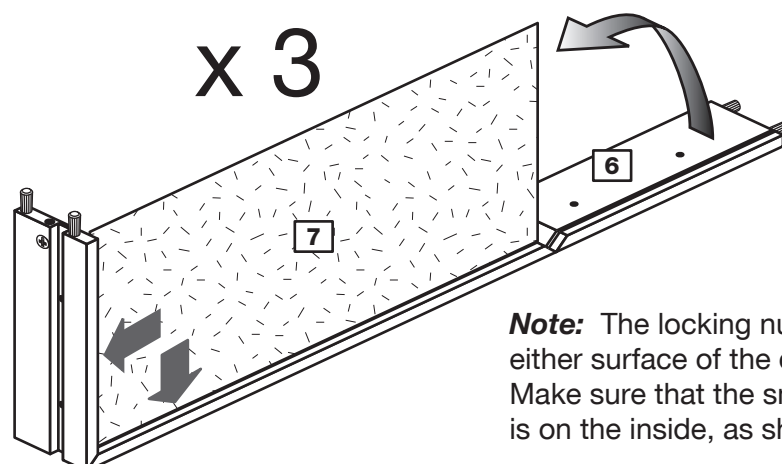
Note: The arrow on the locking nut **must** point towards the hole in the edge of the panel.



Step 3

Fit the drawer base

Place the drawer base **7** into the narrow slot on the drawer wrap **6**. Fold the wrap around the drawer base.



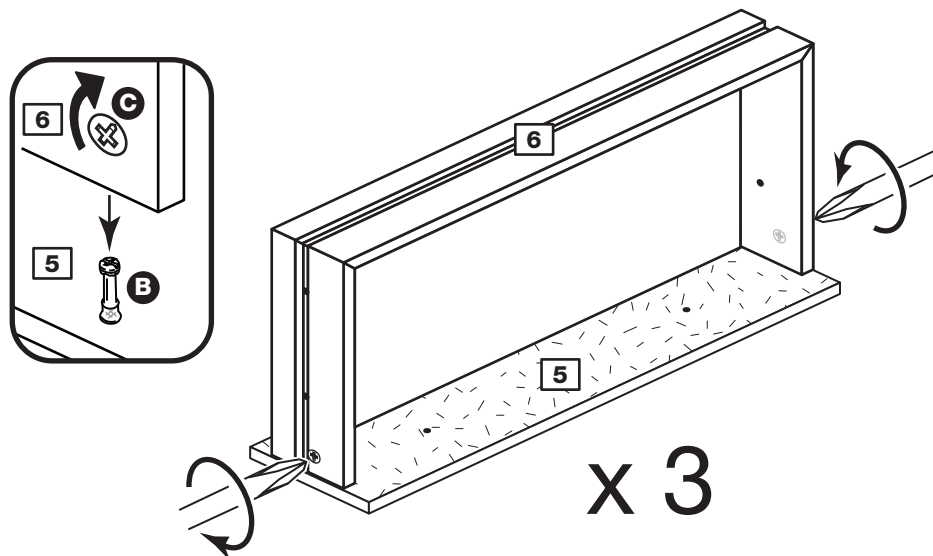
Assembly Instructions

Step 4

Fit the drawer front

Turn drawer wrap **6** assembly over and push it onto the back of the drawer front **5**.

Note: Turn the locking nuts **C** clockwise to secure the panels - more than 1/2 a turn.

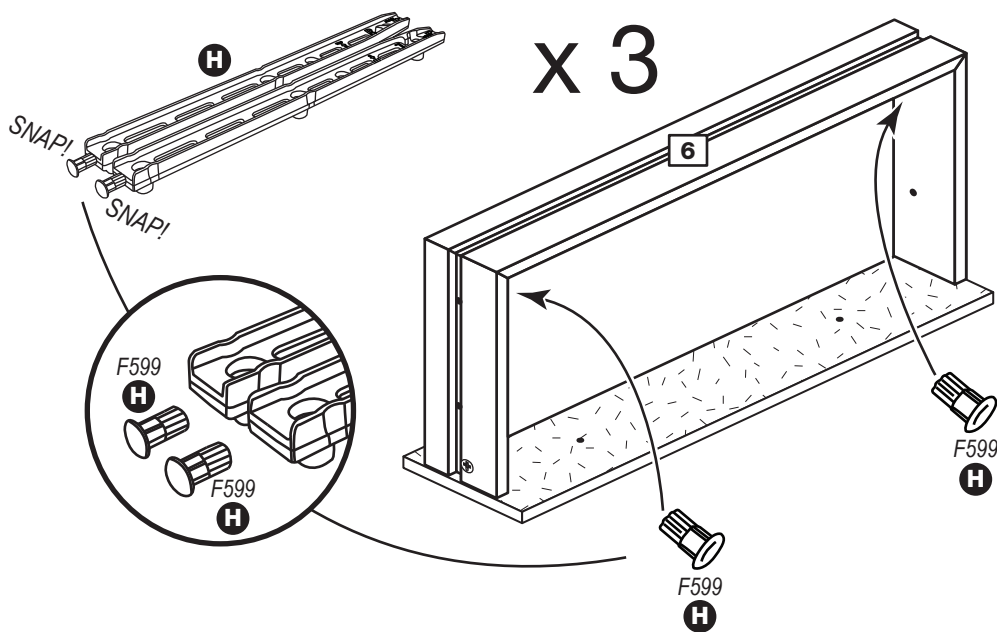


Step 5

Attach the drawer stops

Carefully break off 2 drawer stops (F599) from a set of drawer runners (H).

Push the drawer stops fully through the drawer wrap **6** from the inside.

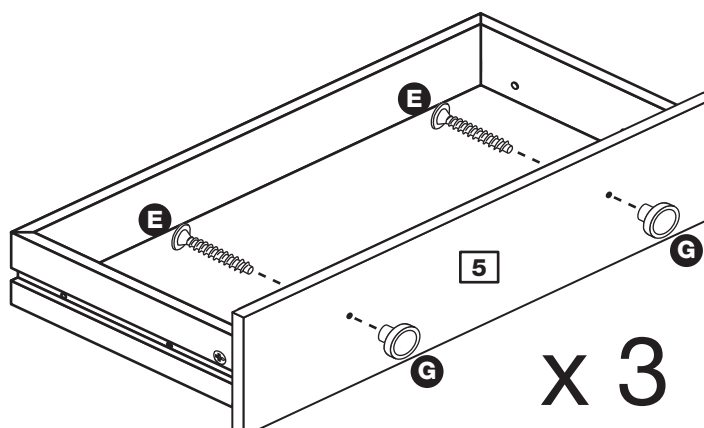


Step 6

Attach the handles

Attach 2 handles **G** to each of the 3 drawer fronts **5** using 2 screws **E**.

Note: Do not overtighten the screws.



Assembly Instructions

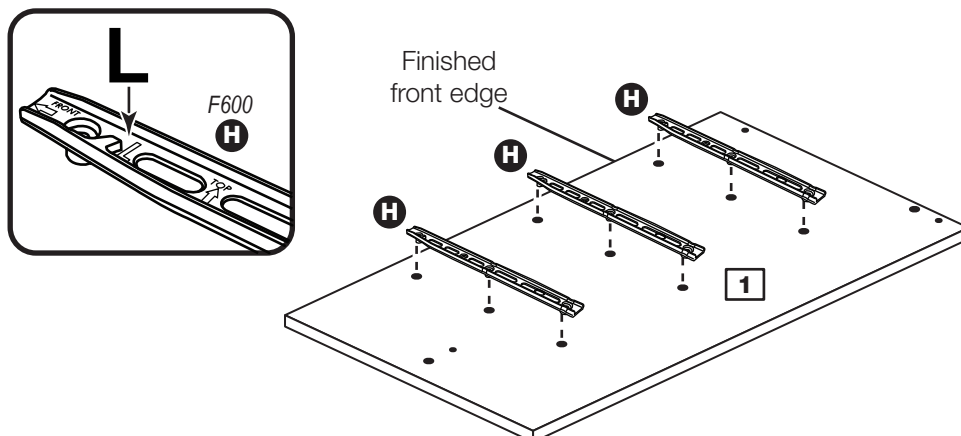
Step 7

Prepare the left side

Separate the runners **H**.

Push fit the 3 left runners **H** marked 'L' into the left side **1**.

Note: Runners must be fitted flat against the panel. If necessary gently tap into final position.

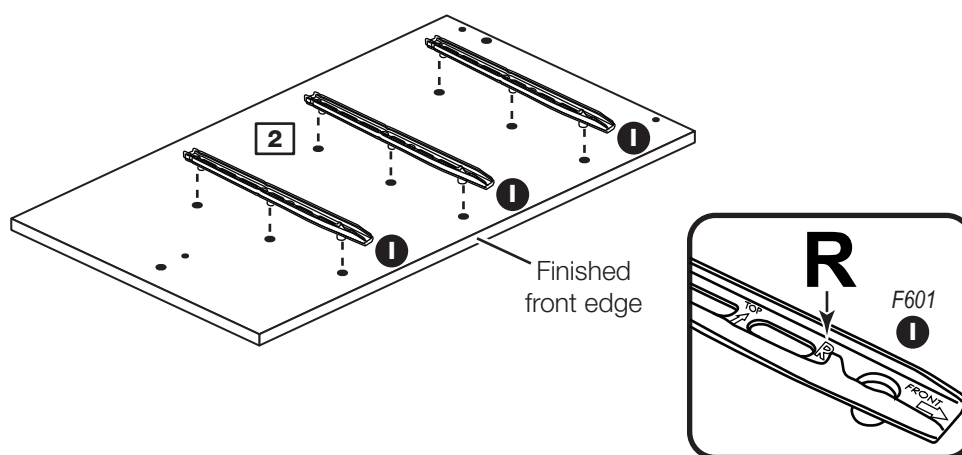


Step 8

Prepare the right side

Push fit the 3 right runners **I** marked 'R' into the right side **2**.

Note: Runners must be fitted flat against the panel. If necessary gently tap into final position.

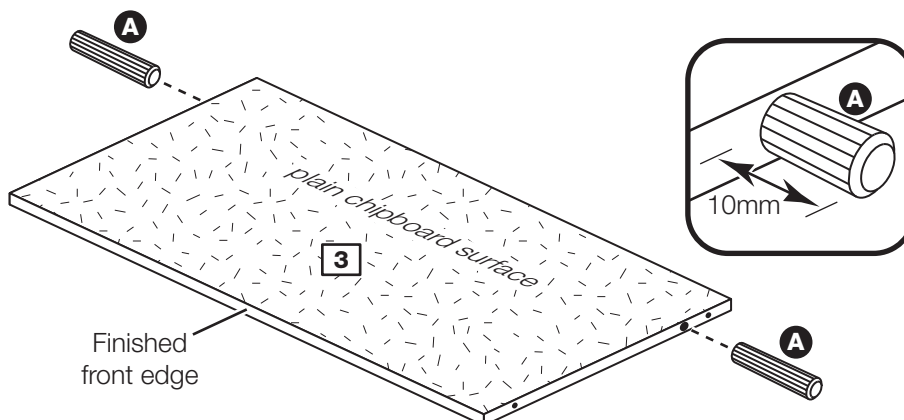


Step 9

Prepare the top

Tap 2 wooden dowels **A** into the top **3**.

Note: Wooden dowels **must not** stick out from the edge by more than 10mm or they may damage other panels.

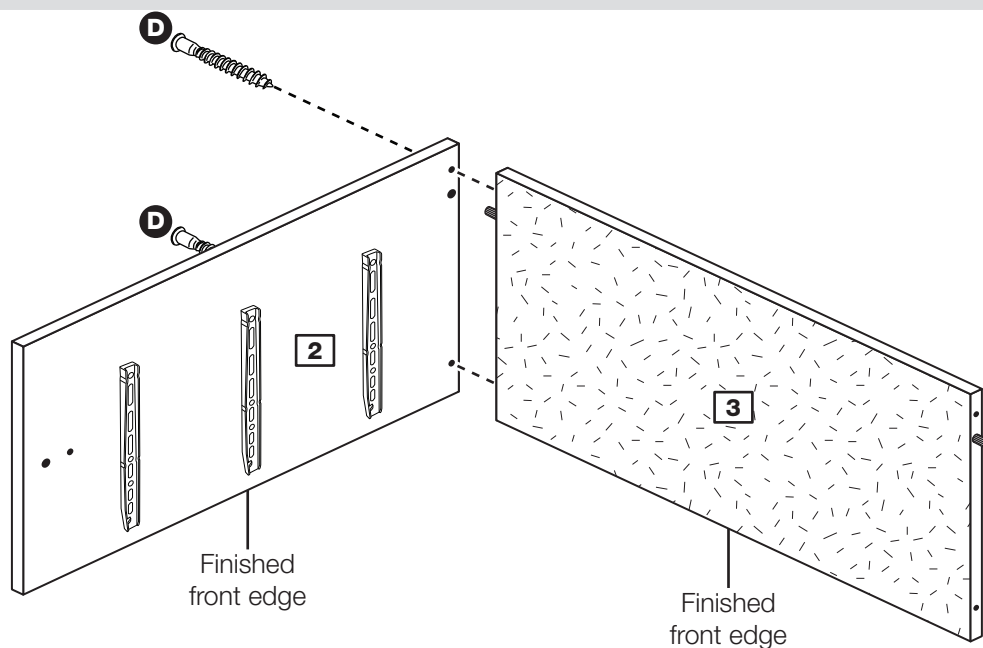


Assembly Instructions

Step 10

Join the top to the right side

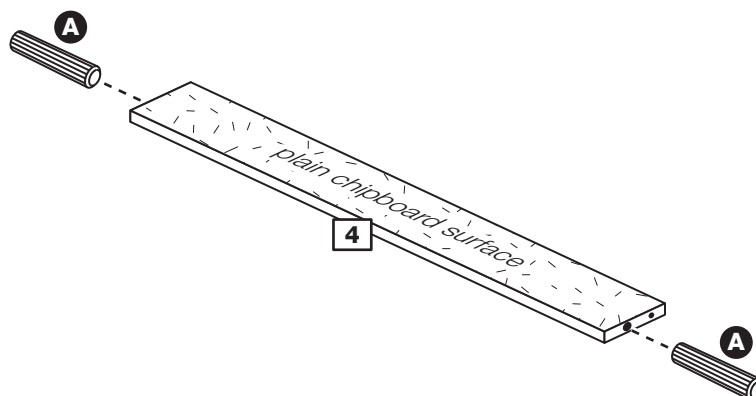
Push the top **3** onto the right side **2** and secure with 2 screws **D**.



Step 11

Prepare the plinth

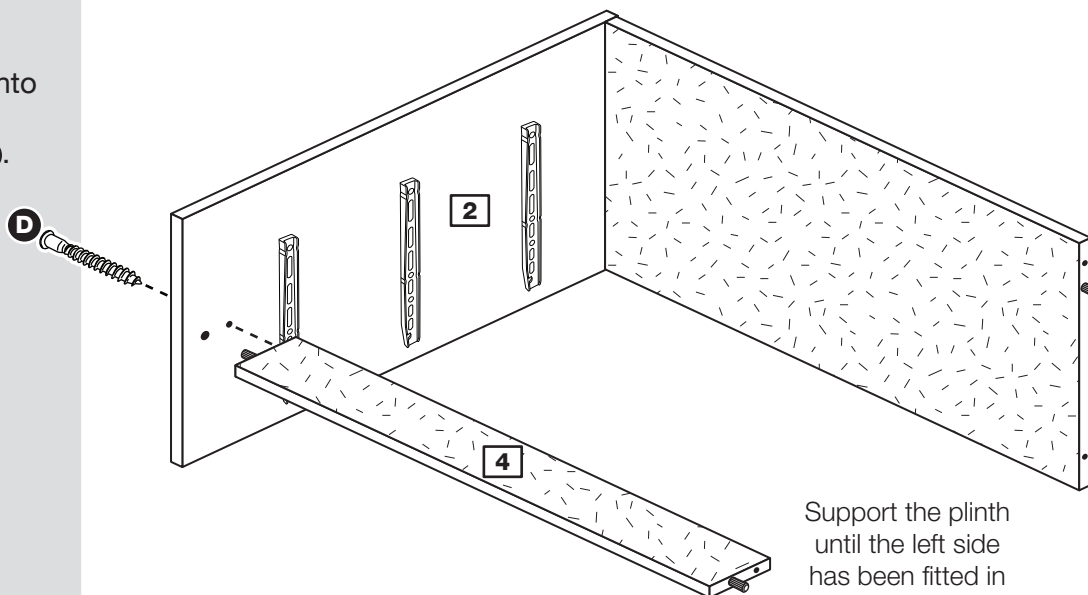
Tap 2 wooden dowels **A** into the plinth **4**.



Step 12

Join the plinth to the right side

Push the plinth **4** onto the right side **2** and secure with screw **D**.



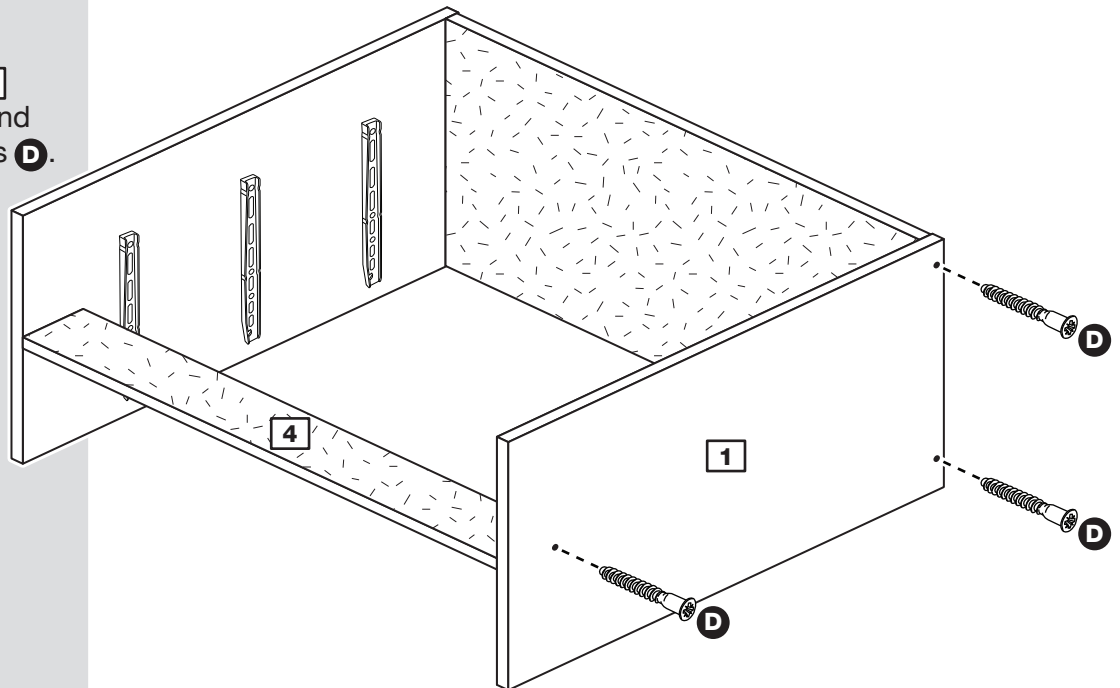
Support the plinth until the left side has been fitted in the next step.

Assembly Instructions

Step 13

Fit the left side

Push the left side **1** onto the assembly and secure with 3 screws **D**.



Step 14

Fit the back

a: Square up the unit by making sure that measurement **x to x** equals **y to y**.

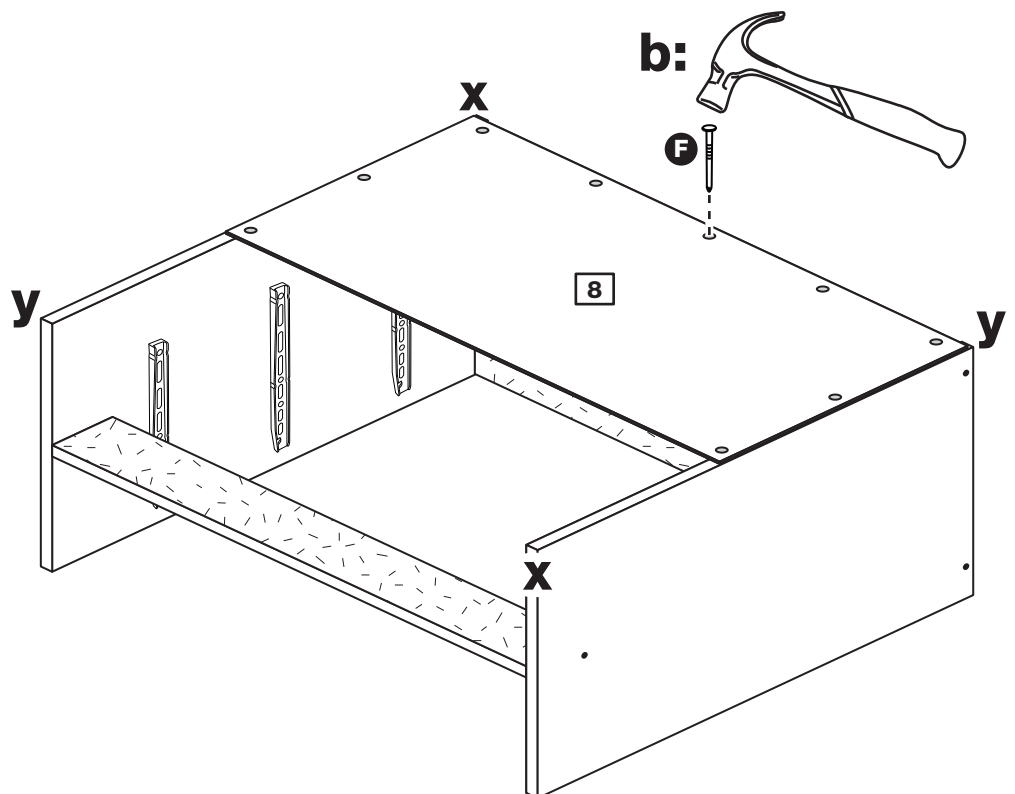
b: Place the back **8** onto the unit.

Nail **F** around the 3 edges of the back **8** as shown.

Note: Nails should be spaced about 150mm apart.

Stand the unit up for the next step.

a: The measurement from top corner X to bottom corner X must be equal to the measurement from top corner Y to bottom corner Y



Assembly Instructions

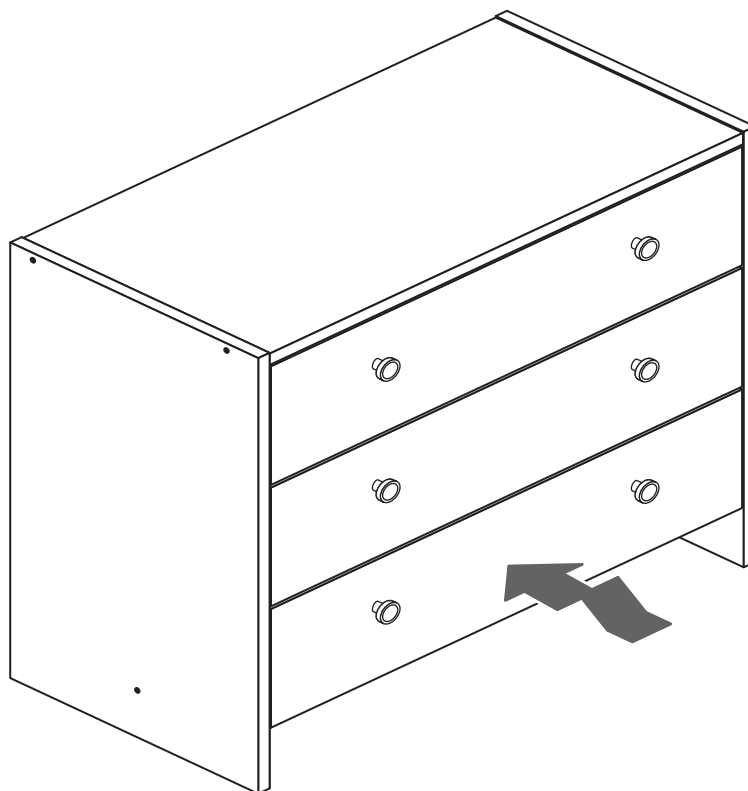
Step 15

Insert the drawers

Lift the front of the drawers whilst inserting to overcome the 'stop' system.

Note: To ensure that your drawers run smoothly, spray a small amount of furniture polish into the grooves.

Assembly is complete



If you need help or have damaged or missing parts, call the **Customer Helpline: 0870 112 1928** or email: **Help@ClickSpares.co.uk** (quoting your original order number and the reference numbers on the component pages)
Argos Ltd, 489-499 Avebury Boulevard, Central Milton Keynes, MK9 2NW

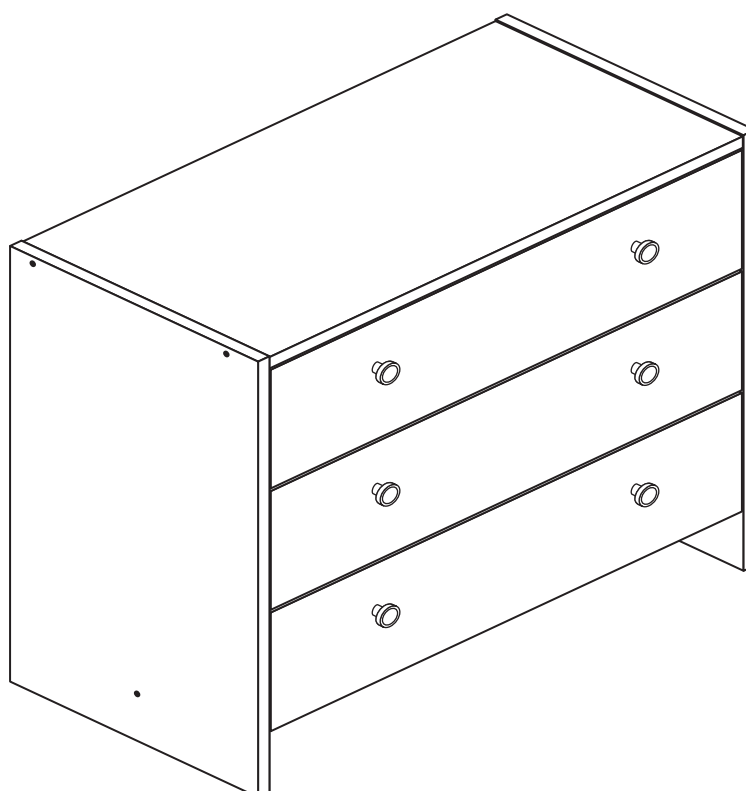
Seville - 3 Drawer Chest

Assembly Instructions - Please keep for future reference

151/3297

170/2187

166/5413



Dimensions

Width - 66cm

Depth - 33cm

Height - 58cm



**MADE IN
BRITAIN**

Important - Please read these instructions fully before starting assembly

If you need help or have damaged or missing parts, call the **Customer Helpline: 0870 112 1928** or email: Help@ClickSpares.co.uk (quoting your original order number)



Safety and Care Advice

Important - Please read these instructions fully before starting assembly

- **Warning:** This unit weighs approximately 14kgs. Please lift with care.

- Check you have all the components and tools listed on pages 2 and 3.

- Remove all fittings from the plastic bags and separate them into their groups.

- Keep children and animals away from the work area, small parts could choke if swallowed.

- Parts of the assembly will be easier with 2 people.

- Make sure you have enough space to layout the parts before starting.

- Do not stand or put weight on the product, this could cause damage.

- Assemble the item as close to its final position (in the same room) as possible.

- Assemble on a soft level surface to avoid damaging the unit or your floor (use opened out unit carton).



- We do not recommend the use of power drill/drivers **for inserting screws**, as this could damage the unit. Only use hand screwdrivers.

- **Safety note:** If there is any chance of this unit being pulled over by children etc. it is recommended that the unit is secured to a wall using suitable fixings (not supplied).

- Dispose of all packaging carefully and responsibly.

Care and maintenance

- Only clean using a damp cloth and mild detergent, do not use bleach or abrasive cleaners.

- From time to time check that there are no loose screws on this unit.

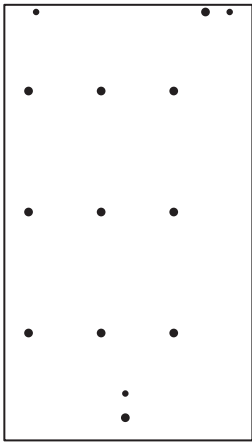
- This product should not be discarded with household waste. Take to your local authority waste disposal centre.

Note: If required the next page can be cut out and used as reference throughout the assembly. Keep this page with these instructions for future reference.

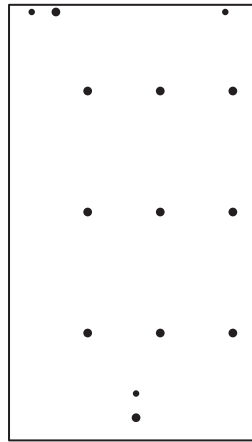
Components - Panels

If you have damaged or missing components, call the **Customer Helpline: 0870 112 1928** or email: **Help@ClickSpares.co.uk** (quoting your original order number and the reference numbers below)

Please check you have all the panels listed below



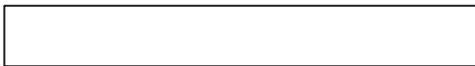
1 Left Side (D2489A)
(576 x 328mm)



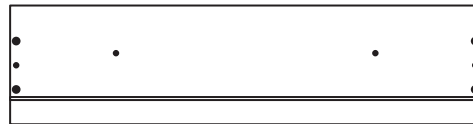
2 Right Side (D2490A)
(576 x 328mm)



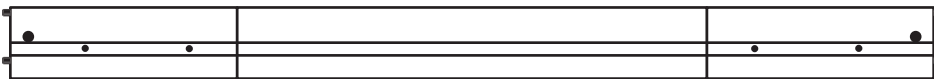
3 Top (D2488A)
(627 x 327mm)



4 Plinth (D2491B)
(627 x 80mm)



5 Drawer Front (D2492A)
(623 x 157mm) x 3



6 Drawer Wrap (WSAV)
(1221 x 95mm) x 3



7 Drawer Base White : TSAV(T608-299)
(608 x 299mm) x 3



8 Back (X328-653)
(328 x 653mm)


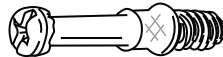



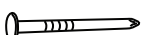
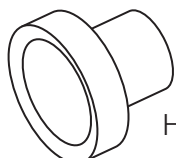
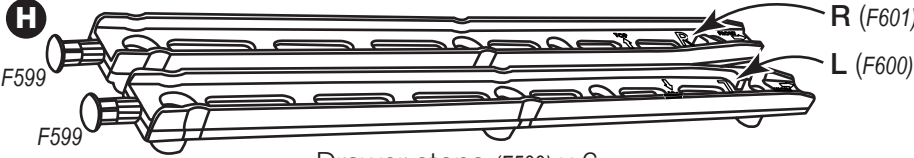


Components - Fittings

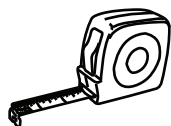
If you have damaged or missing components, call the **Customer Helpline: 0870 112 1928** or **email: Help@ClickSpares.co.uk** (quoting your original order number and the reference numbers below)

Please check you have all the fittings listed below

Note: The quantities below are the correct amount to complete the assembly. In some cases more fittings may be supplied than are required.

<p>A </p> <p>Wooden dowel (F22) x 4</p>	<p>B </p> <p>Metal dowel (F901) x 6</p>	<p>C </p> <p>Small locking nut (F3) x 6</p>
<p>D </p> <p>40mm Screw (F910) x 6</p>	<p>E </p> <p>25mm Screw (F95) x 6</p>	<p>F </p> <p>Nail (F51) x 15</p>
<p>G </p> <p>Handle (F300) x 6</p>	<p>H </p> <p>Drawer stops (F599) x 6 Runners (F600) x 3 and (F601) x 3</p>	

Tools required



Rule



Cross-head screwdriver



Scissors

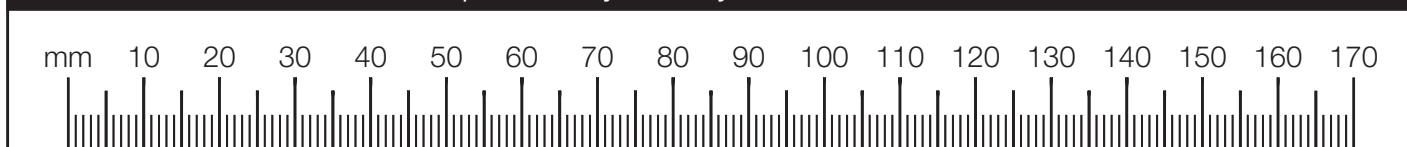


Hammer



Eye protection (when using a hammer or drill)

Ruler - Use this ruler to help correctly identify the screws



Assembly Instructions

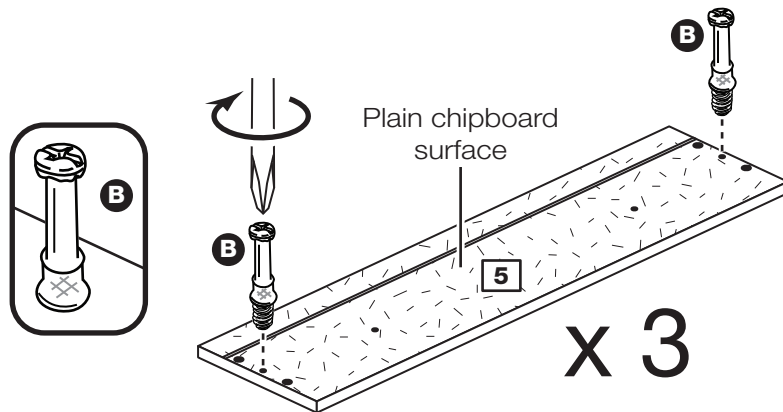
If you have damaged or missing components, call the Customer Helpline: 0870 112 1928 or email: Help@ClickSpares.co.uk (quoting your original order number and the reference numbers below)

Step 1

Prepare the drawer fronts

Screw 2 metal dowels **B** into each of the drawer fronts **5**.

Note: Tighten the metal dowels up fully against the panel.

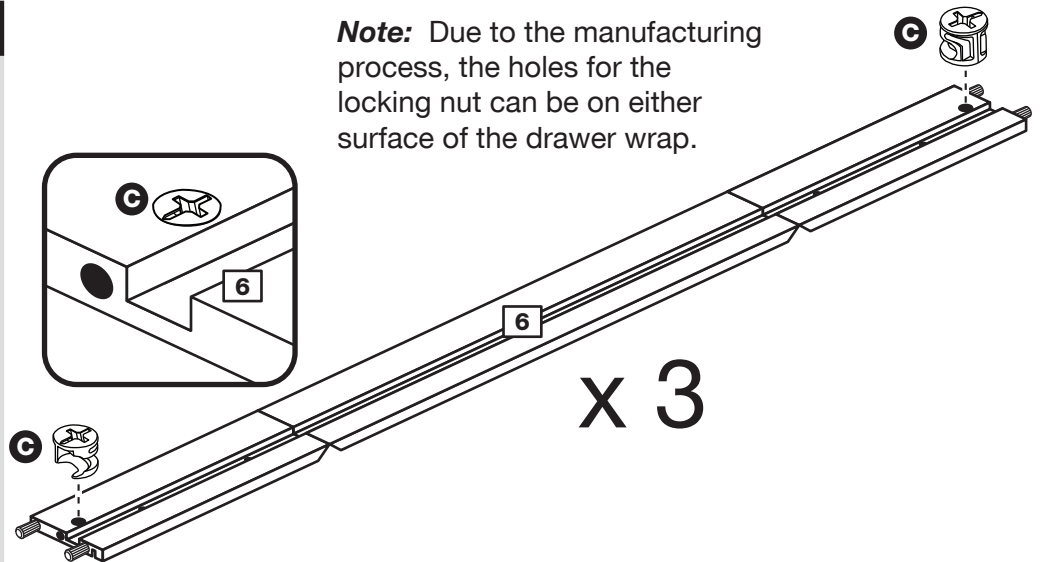


Step 2

Prepare the drawer wraps

Insert 2 small locking nuts **C** into each of the drawer wraps **6**.

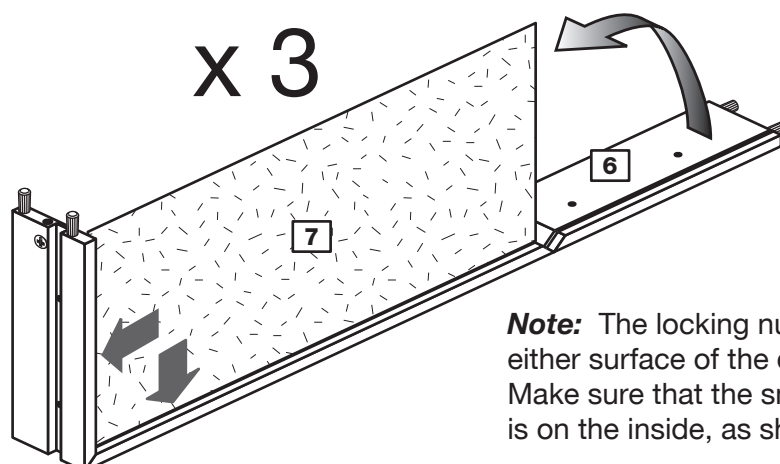
Note: The arrow on the locking nut **must** point towards the hole in the edge of the panel.



Step 3

Fit the drawer base

Place the drawer base **7** into the narrow slot on the drawer wrap **6**. Fold the wrap around the drawer base.



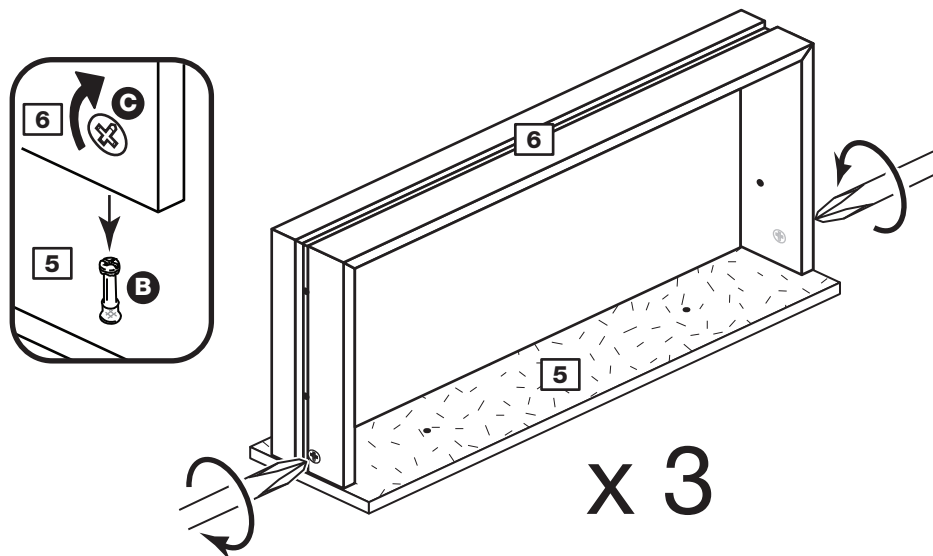
Assembly Instructions

Step 4

Fit the drawer front

Turn drawer wrap **6** assembly over and push it onto the back of the drawer front **5**.

Note: Turn the locking nuts **C** clockwise to secure the panels - more than 1/2 a turn.

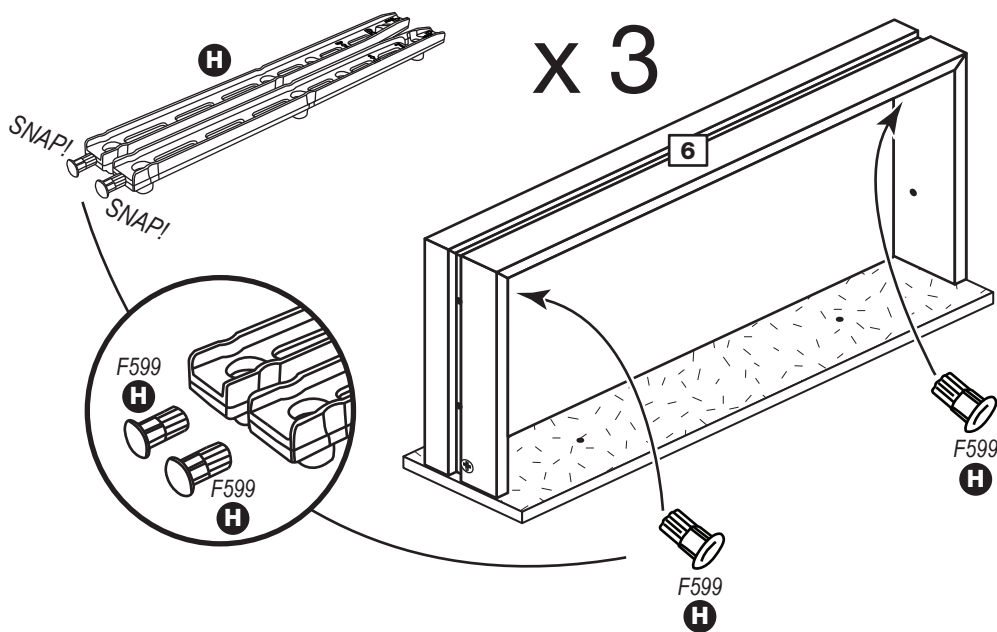


Step 5

Attach the drawer stops

Carefully break off 2 drawer stops (F599) from a set of drawer runners (H).

Push the drawer stops fully through the drawer wrap **6** from the inside.

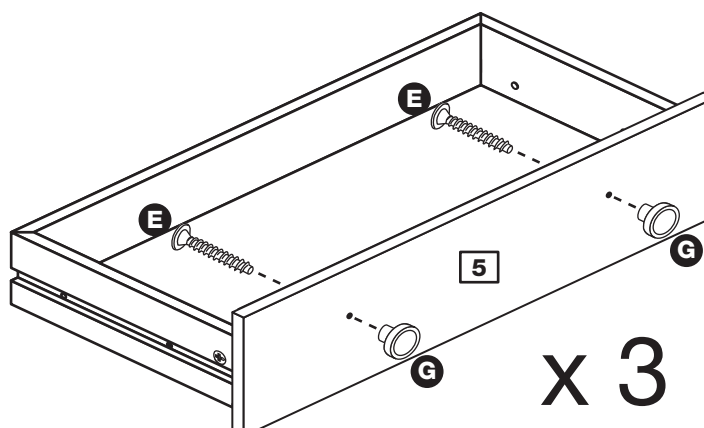


Step 6

Attach the handles

Attach 2 handles **G** to each of the 3 drawer fronts **5** using 2 screws **E**.

Note: Do not overtighten the screws.



Assembly Instructions

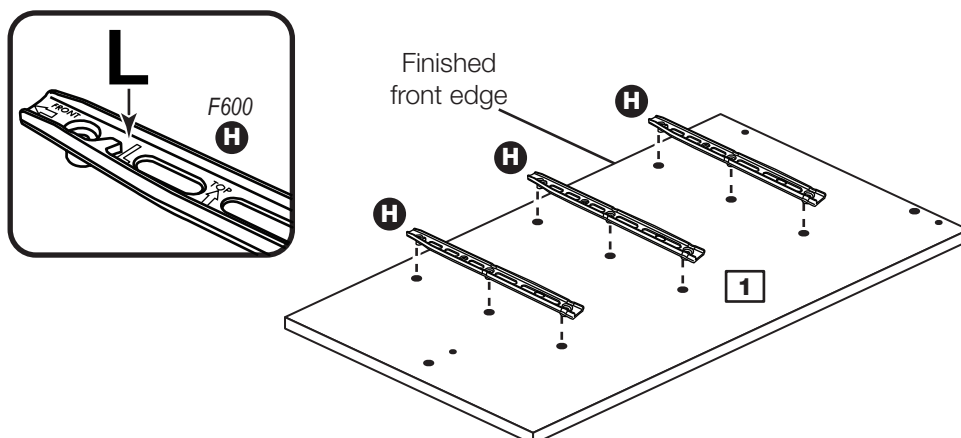
Step 7

Prepare the left side

Separate the runners **H**.

Push fit the 3 left runners **H** marked 'L' into the left side **1**.

Note: Runners must be fitted flat against the panel. If necessary gently tap into final position.

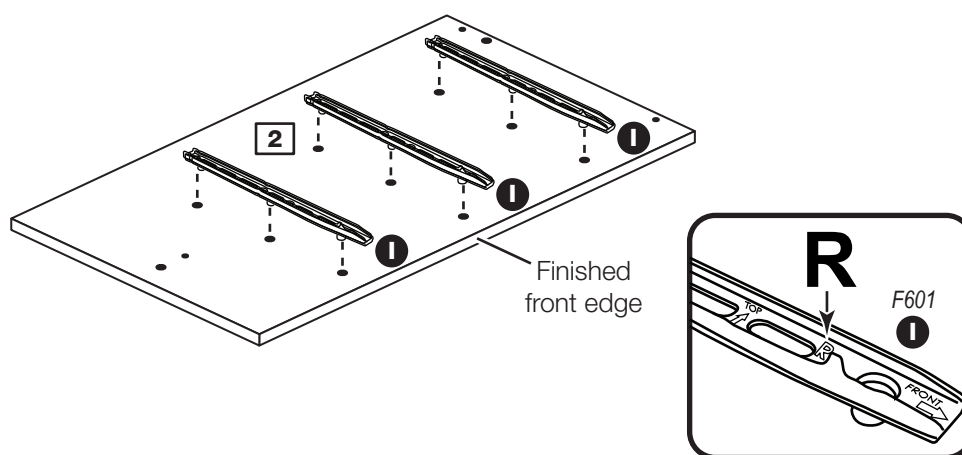


Step 8

Prepare the right side

Push fit the 3 right runners **I** marked 'R' into the right side **2**.

Note: Runners must be fitted flat against the panel. If necessary gently tap into final position.

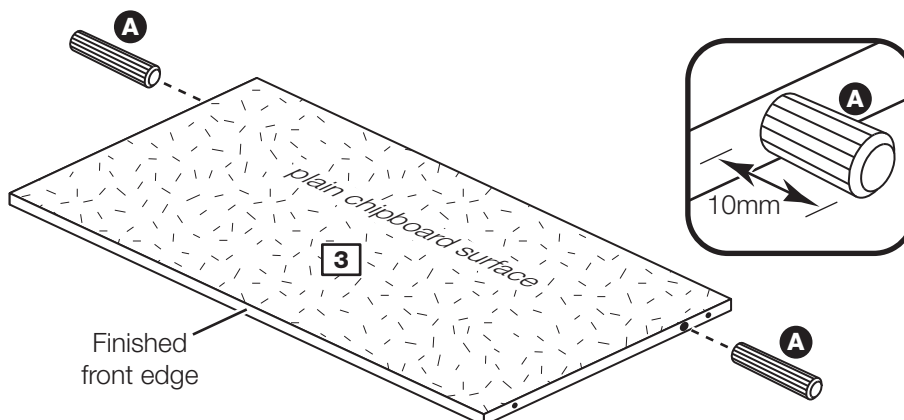


Step 9

Prepare the top

Tap 2 wooden dowels **A** into the top **3**.

Note: Wooden dowels **must not** stick out from the edge by more than 10mm or they may damage other panels.

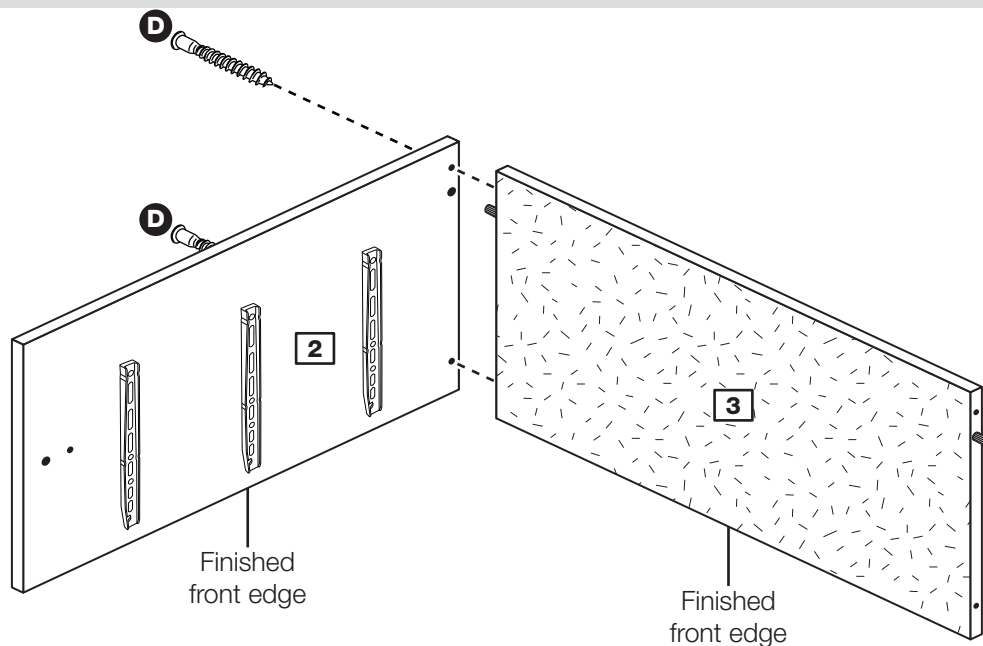


Assembly Instructions

Step 10

Join the top to the right side

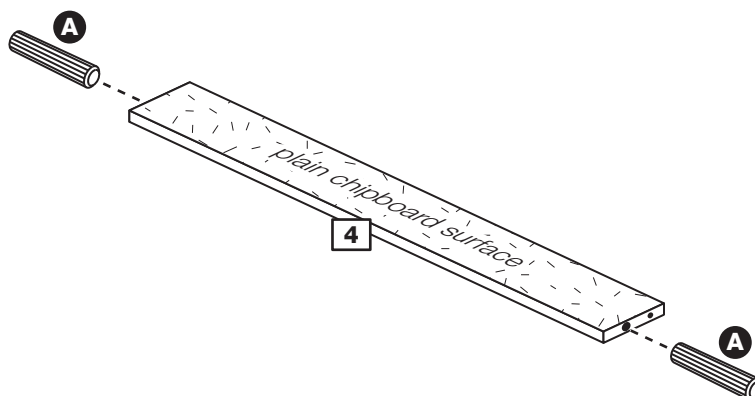
Push the top **3** onto the right side **2** and secure with 2 screws **D**.



Step 11

Prepare the plinth

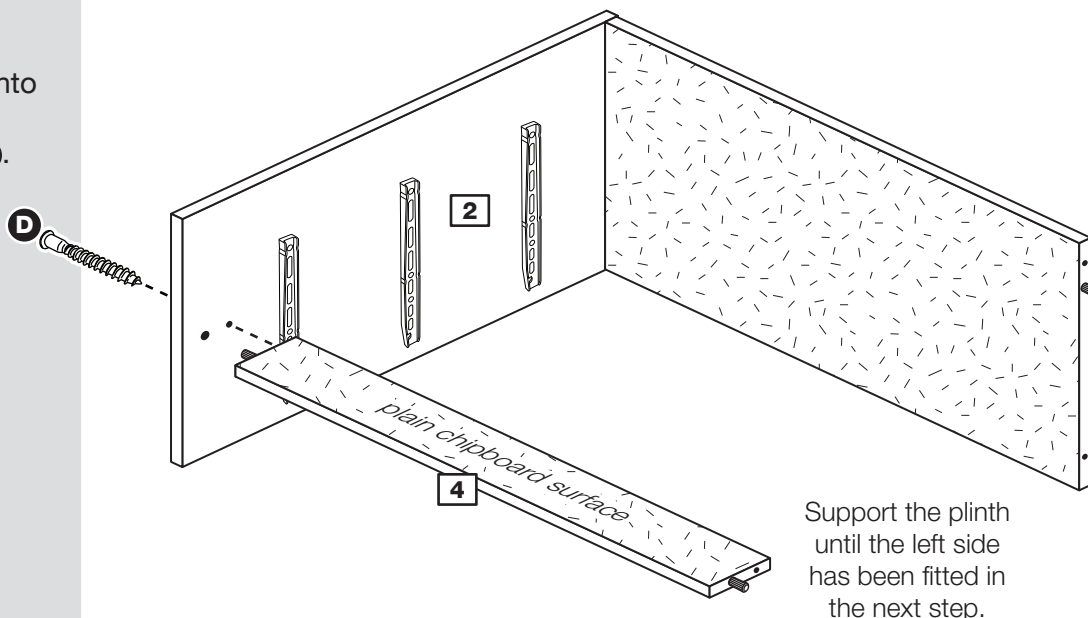
Tap 2 wooden dowels **A** into the plinth **4**.



Step 12

Join the plinth to the right side

Push the plinth **4** onto the right side **2** and secure with screw **D**.

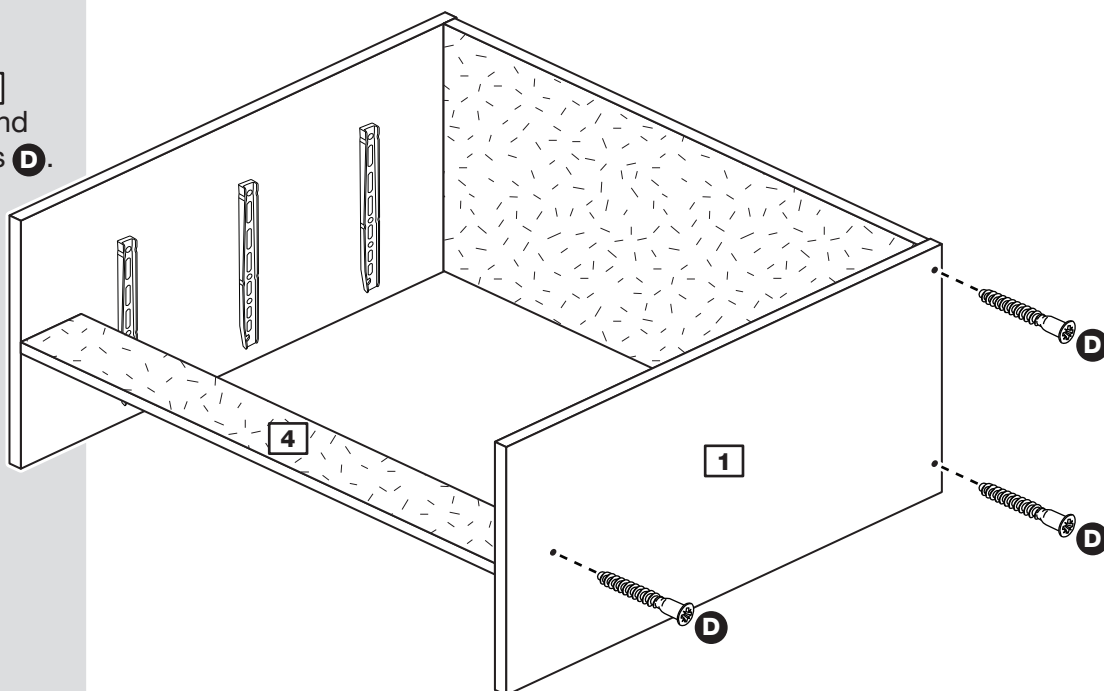


Assembly Instructions

Step 13

Fit the left side

Push the left side **1** onto the assembly and secure with 3 screws **D**.



Step 14

Fit the back

a: Square up the unit by making sure that measurement **x to x** equals **y to y**.

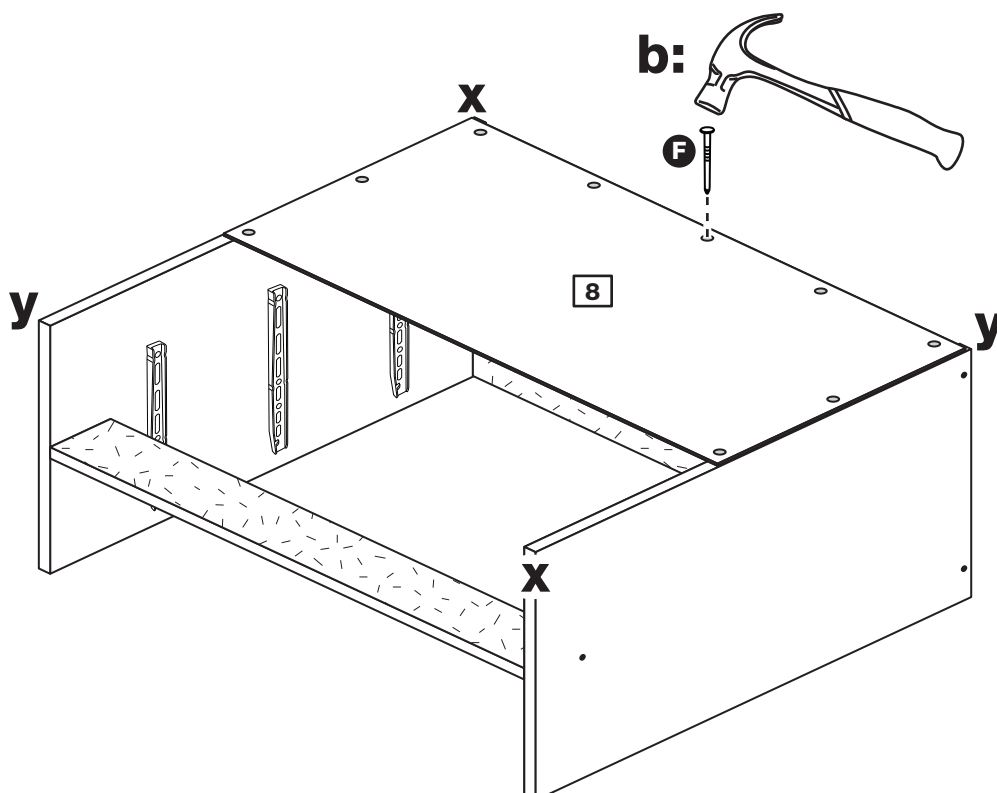
b: Place the back **8** onto the unit.

Nail **F** around the 3 edges of the back **8** as shown.

Note: Nails should be spaced about 150mm apart.

Stand the unit up for the next step.

a: The measurement from top corner X to bottom corner X must be equal to the measurement from top corner Y to bottom corner Y



Assembly Instructions

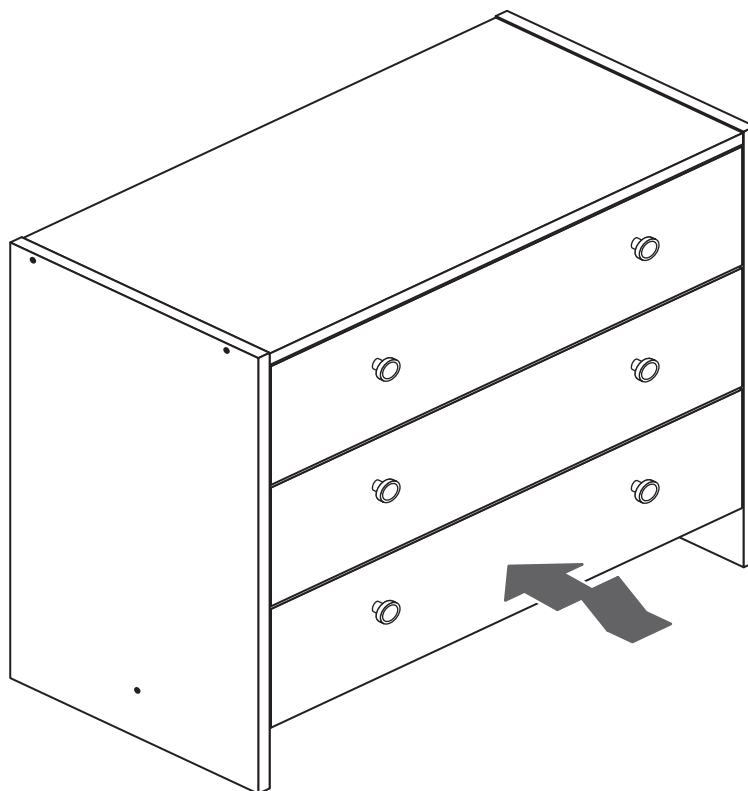
Step 15

Insert the drawers

Lift the front of the drawers whilst inserting to overcome the 'stop' system.

Note: To ensure that your drawers run smoothly, spray a small amount of furniture polish into the grooves.

Assembly is complete



If you need help or have damaged or missing parts, call the **Customer Helpline: 0870 112 1928** or email: **Help@ClickSpares.co.uk** (quoting your original order number and the reference numbers on the component pages)
Argos Ltd, 489-499 Avebury Boulevard, Central Milton Keynes, MK9 2NW

