

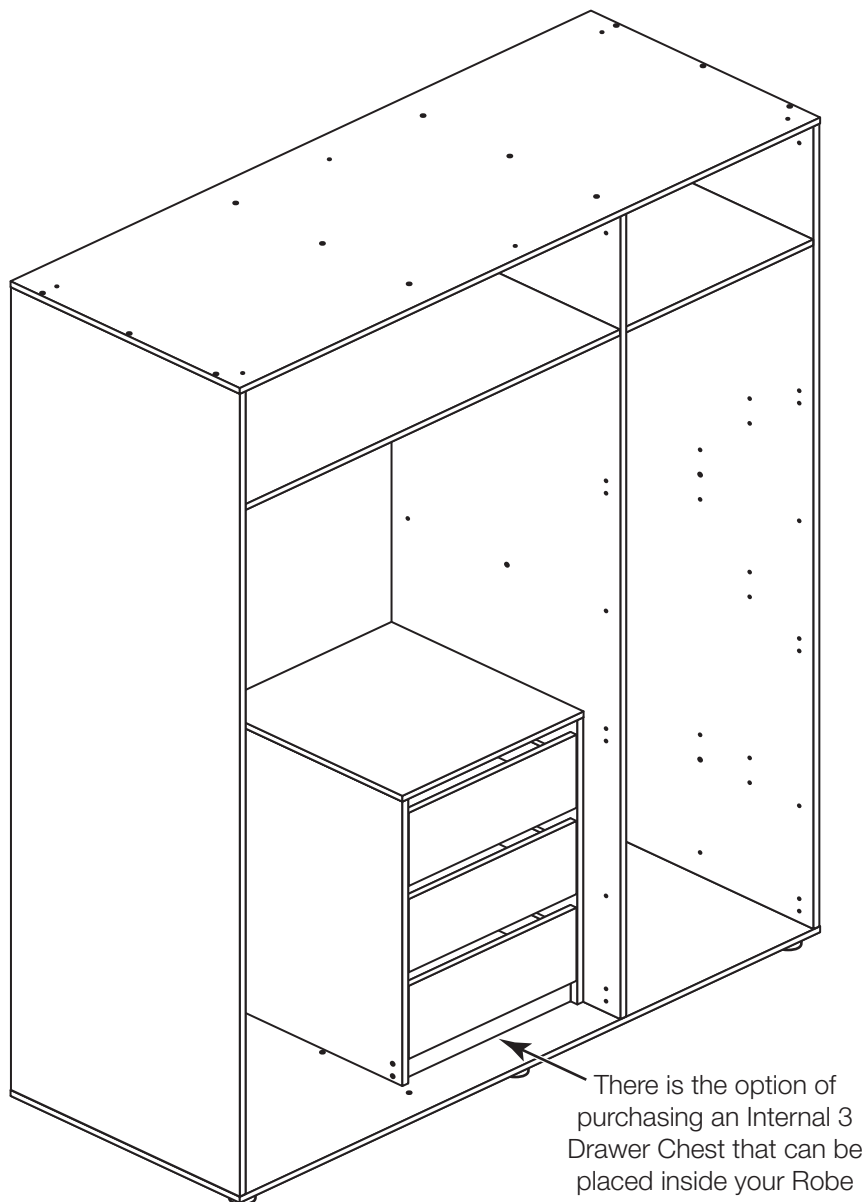
Atlas - Triple Robe Carcass

Assembly Instructions - Please keep for future reference

147/1999

145/7229

157/6760



Dimensions

Width - 150cm

Depth - 59.5cm

Height - 212.5cm

IMPORTANT

The unit **MUST** be fixed to a wall using both of the brackets supplied.



**MADE IN
BRITAIN**

Important - Please read these instructions fully before starting assembly

If you need help or have damaged or missing parts, call the **Customer Helpline: 08456 400800**



Safety and Care Advice

Important - Please read these instructions fully before starting assembly

- **Warning:** This unit weighs approximately 65kgs. Please lift with care.

- Check you have all the components and tools listed on pages 2 and 3.

- Remove all fittings from the plastic bags and separate them into their groups.

- Keep children and animals away from the work area, small parts could choke if swallowed.

- Parts of the assembly will be easier with 2 people.

- Make sure you have enough space to layout the parts before starting.

- Do not stand or put weight on the product, this could cause damage.

- Assemble the item as close to its final position (in the same room) as possible.

- Assemble on a soft level surface to avoid damaging the unit or your floor (use opened out unit carton).



- We do not recommend the use of power drill/drivers **for inserting screws**, as this could damage the unit. Only use hand screwdrivers.

- **Safety note:** It is recommended that this unit is secured to a wall using the bracket supplied.

- Dispose of all packaging carefully and responsibly.

Care and maintenance

- Only clean using a damp cloth and mild detergent, do not use bleach or abrasive cleaners.

- From time to time check that there are no loose screws on this unit.

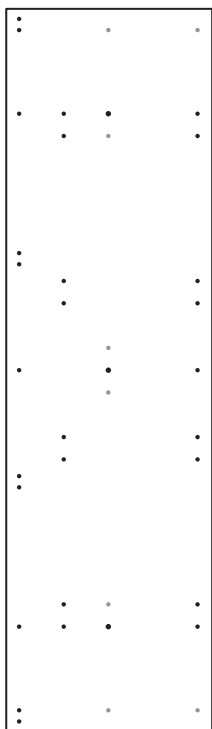
- This product should not be discarded with household waste. Take to your local authority waste disposal centre.

Note: If required the next page can be cut out and used as reference throughout the assembly. Keep this page with these instructions for future reference.

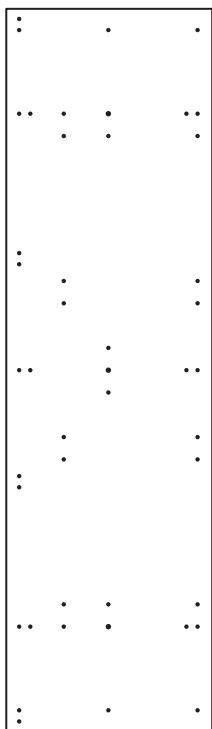
Components - Panels

If you have damaged or missing components, call the **Customer Helpline: 08456 400800** quoting the reference numbers below

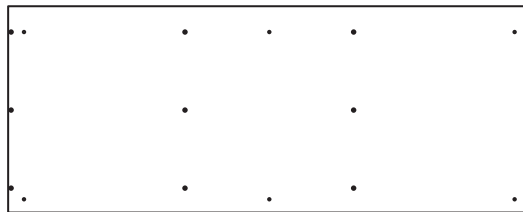
Please check you have all the panels listed below



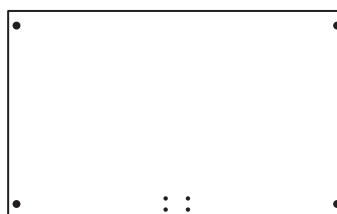
1 Universal End (D2396A)
(2074 x 591mm) x 2



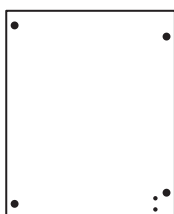
2 Upright (D2653A)
(2074 x 591mm)



3 Top/Base (D2652A)
(1499 x 592mm) x 2



4 Large Fixed Shelf (D2397A)
(968 x 590mm)



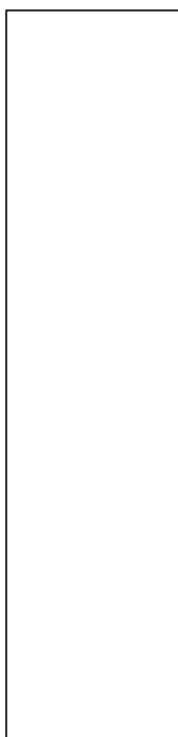
5 Small Fixed Shelf (D2654A)
(484 x 590mm)



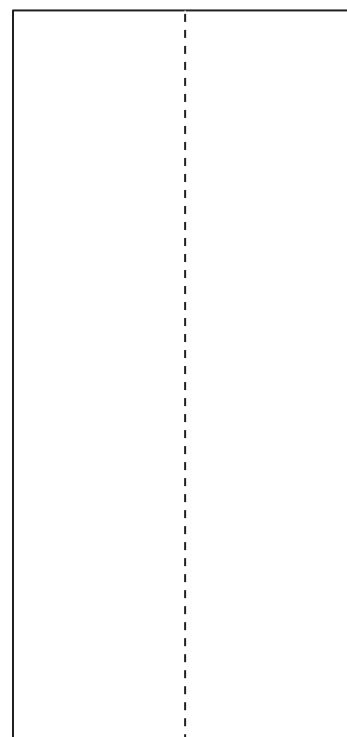
6 Small Hanging Rail (FHR476)
(476mm long) x 2



7 Large Hanging Rail (FHR960)
(960mm long) x 2



8 Small Back (X2100-504)
(2100 x 504mm)



9 Large Back (X2100-988)
(2100 x 988mm)

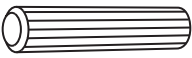
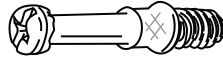

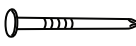






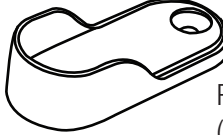
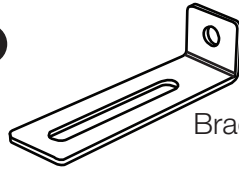
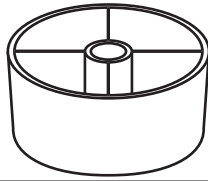
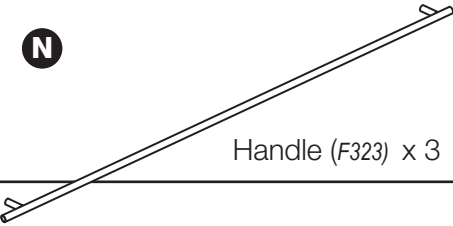
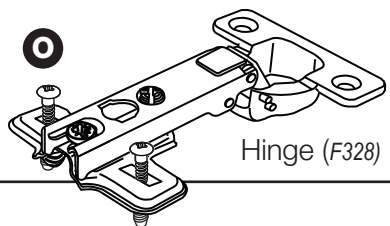




Components - Fittings

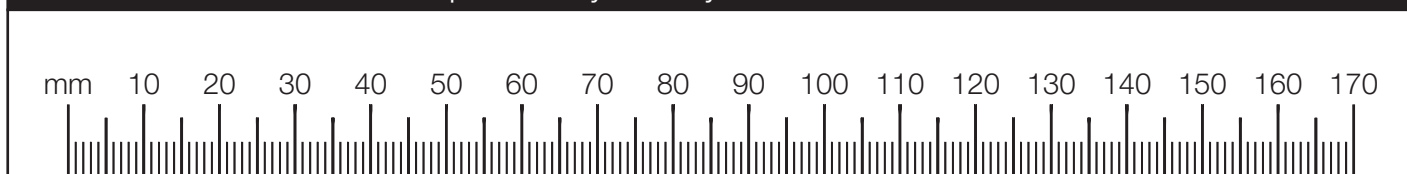
If you have damaged or missing components, call the **Customer Helpline: 08456 400800** quoting the reference numbers below

Please check you have all the fittings listed below

Note: The quantities below are the correct amount to complete the assembly. In some cases more fittings may be supplied than are required.

<p>A </p> <p>Wooden dowel (F22) x 2</p>	<p>B </p> <p>Metal dowel (F901) x 8</p>	<p>C </p> <p>Large locking nut (F900) x 8</p>
<p>D </p> <p>Nail (F51) x 40</p>	<p>E </p> <p>Allen Key (F36) x 1</p>	<p>F </p> <p>50mm Screw (F49) x 18</p>
<p>G </p> <p>25mm Screw (F50) x 6</p>	<p>H </p> <p>19mm Screw (F461) x 6</p>	<p>I </p> <p>13mm Screw (F79) x 2</p>
<p>J </p> <p>13mm Screw (F63) x 38</p>	<p>K </p> <p>Rail Holder (F891) x 8</p>	<p>L </p> <p>Bracket (F327) x 2</p>
<p>M </p> <p>Feet (F854) x 6</p>	<p>N </p> <p>Handle (F323) x 3</p>	<p>O </p> <p>Hinge (F328) x 12</p>
<p>P </p> <p>Nail screw (F277) x 6</p>		
<p>Q </p> <p>Back holder (F276) x 6</p> <p>*These can also be round</p>		

Ruler - Use this ruler to help correctly identify the screws

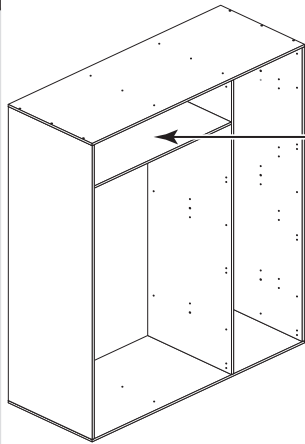


Assembly Instructions

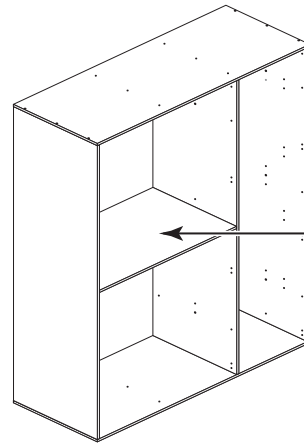
If you have damaged or missing components, call the **Customer Helpline: 08456 400800** quoting the reference numbers below

Step 1

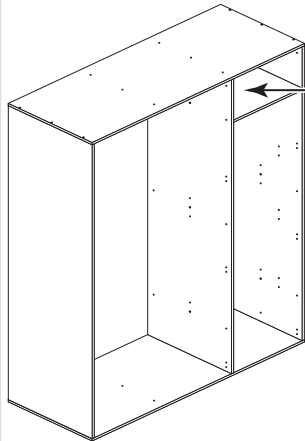
Are you fitting 1 or 2 hanging rails or, a shelf pack?



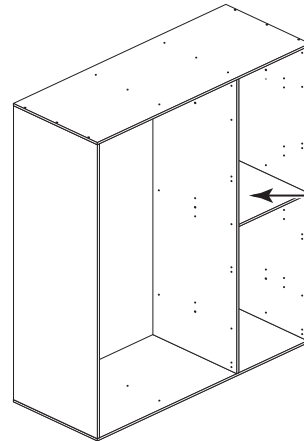
If you are just fitting 1 hanging rail to this side, the large fixed shelf will need to go here.



If you are fitting 2 hanging rails to this side, the large fixed shelf will need to go here.



If you are just fitting 1 hanging rail or the shelf pack to this side, the small fixed shelf will need to go here.



If you are fitting 2 hanging rails to this side, the small fixed shelf will need to go here.

Assembly Instructions

Step 2

Prepare the upright

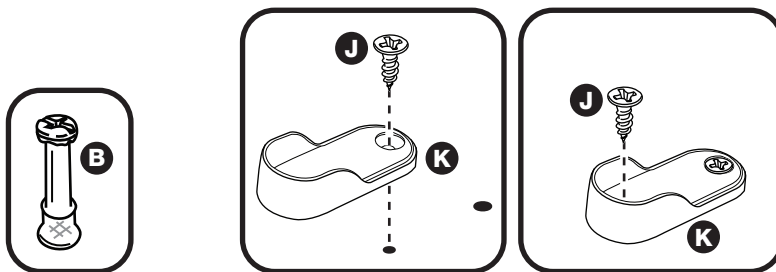
Screw 2 metal dowels **B** into the upright **2**.

Note: Tighten the metal dowels up fully against the panels.

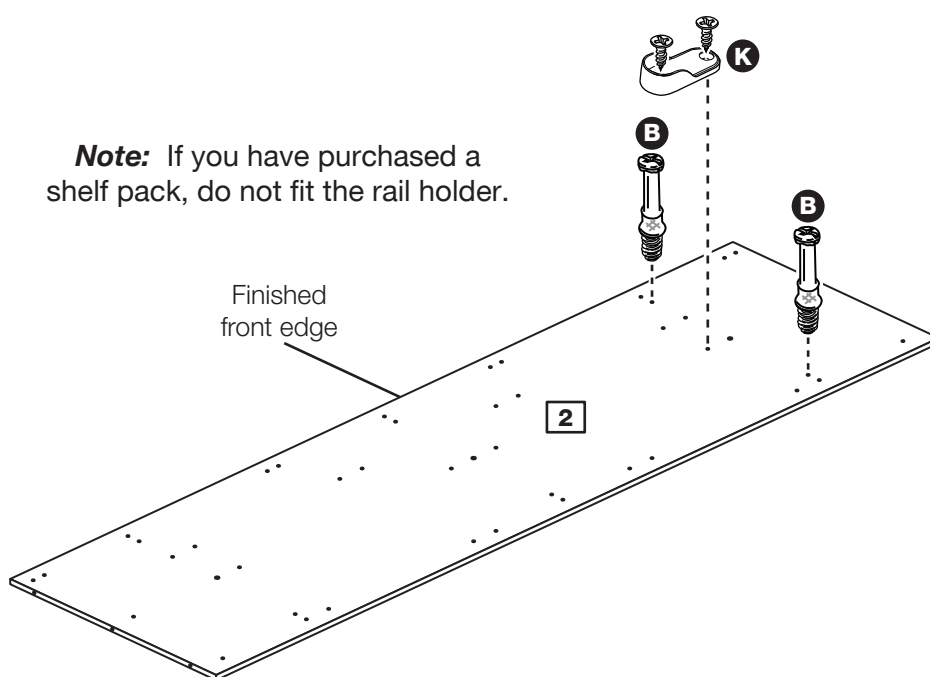
Note: If you have purchased a shelf pack, do not fit the rail holder.

To fit the rail holder **K**, screw through its top hole with screw **J** and into the shallow mark hole drilled in the upright **2**. Make sure that it is fitted straight, in line with the panel edges and then fit another screw **J** using the lower hole.

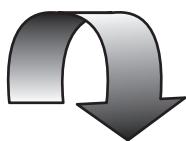
Refer to Step 1 and **ONLY FOLLOW THIS STEP** if you are fitting the small fixed shelf near the top of the unit.



Note: If you have purchased a shelf pack, do not fit the rail holder.



Please ensure you have your panel in exactly the same orientation as the picture above and use the 2 inside holes for screws B as shown in the picture.



Turn the upright over and carry out either step 4 or 5

Assembly Instructions

Step 3

Prepare the upright

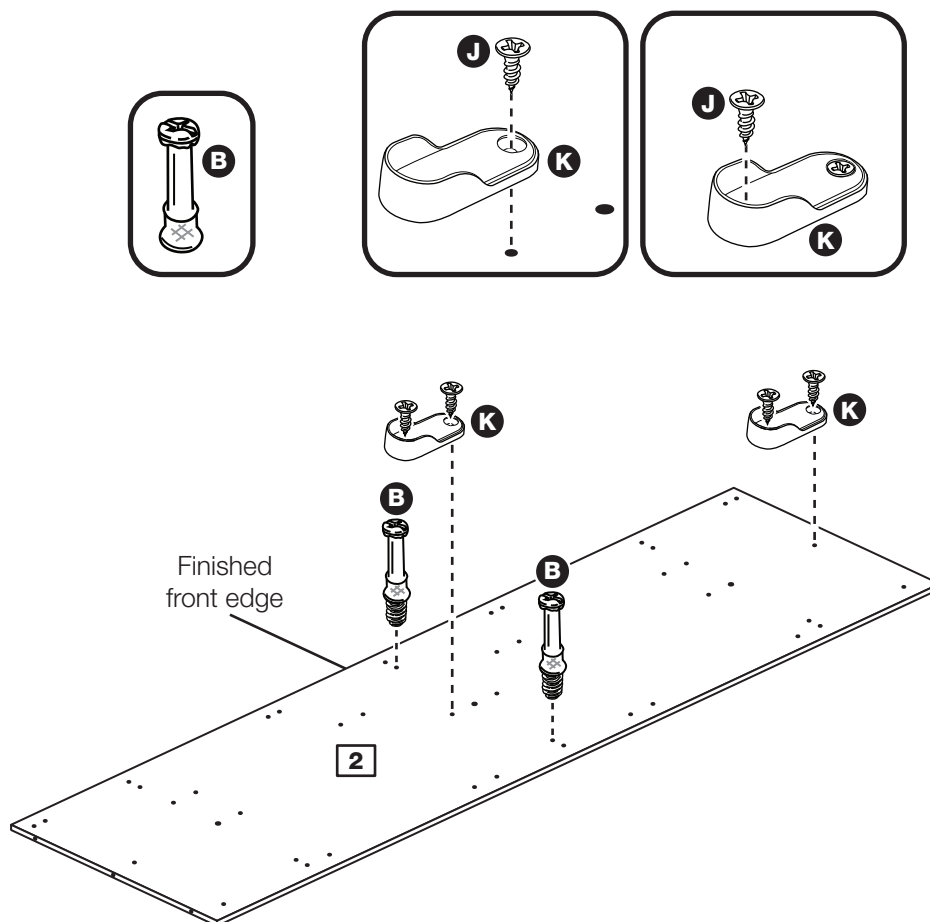
Screw 2 metal dowels **B** into the upright **2**.

Note: Tighten the metal dowels up fully against the panels.

Note: If you have purchased a shelf pack, do not fit the rail holder.

To fit the rail holders **K**, screw through their top hole with screw **J** and into the shallow mark hole drilled in the upright **2**. Make sure that it is fitted straight, in line with the panel edges and then fit another screw **J** using their lower hole.

Refer to Step 1 and **ONLY FOLLOW THIS STEP** if you are fitting the small fixed shelf near the middle of the unit.



Please ensure you have your panel in exactly the same orientation as the picture above and use the 2 inside holes for screws B as shown in the picture.



Turn the upright over and carry out either step 4 or 5

Assembly Instructions

Step 4

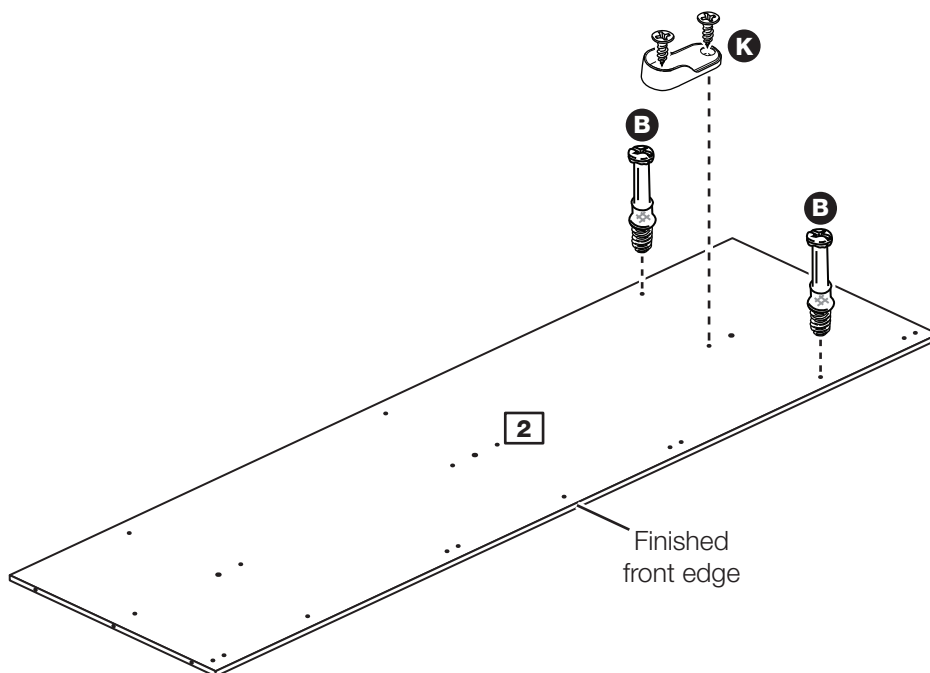
Prepare the upright

Screw 2 metal dowels **B** into the upright **2**.

Note: Tighten the metal dowels up fully against the panels.

To fit the rail holder **K**, screw through its top hole with screw **J** and into the shallow mark hole drilled in the upright **2**. Make sure that it is fitted straight, in line with the panel edges and then fit another screw **J** using the lower hole.

Refer to Step 1 and **ONLY FOLLOW THIS STEP** if you are fitting the large fixed shelf near the top of the unit.



Step 5

Prepare the upright

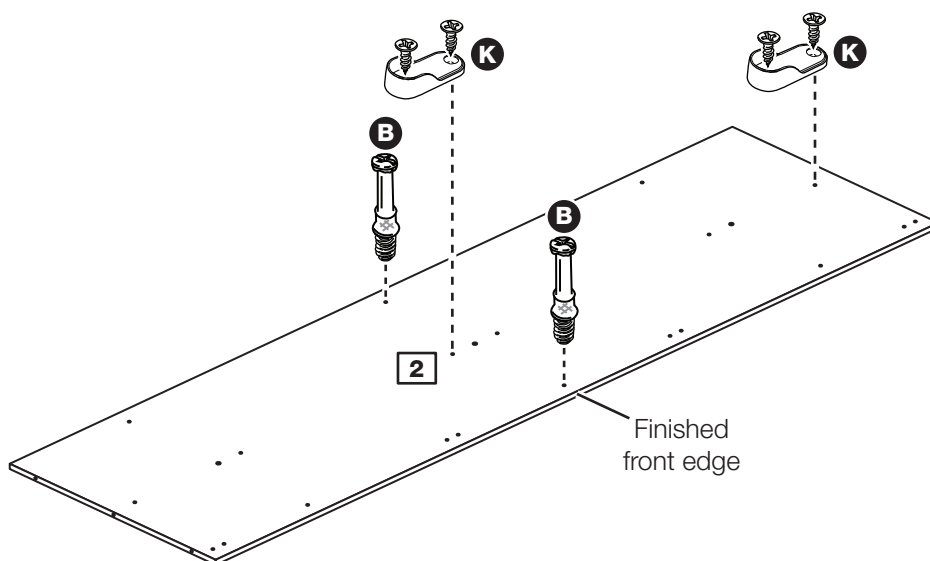
Screw 2 metal dowels **B** into the upright **2**.

Note: Tighten the metal dowels up fully against the panels.

Note: If you have purchased a shelf pack, do not fit the rail holder.

To fit the rail holders **K**, screw through their top hole with screw **J** and into the shallow mark hole drilled in the upright **2**. Make sure that it is fitted straight, in line with the panel edges and then fit another screw **J** using their lower hole.

Refer to Step 1 and **ONLY FOLLOW THIS STEP** if you are fitting the large fixed shelf near the middle of the unit.



Assembly Instructions

Step 6

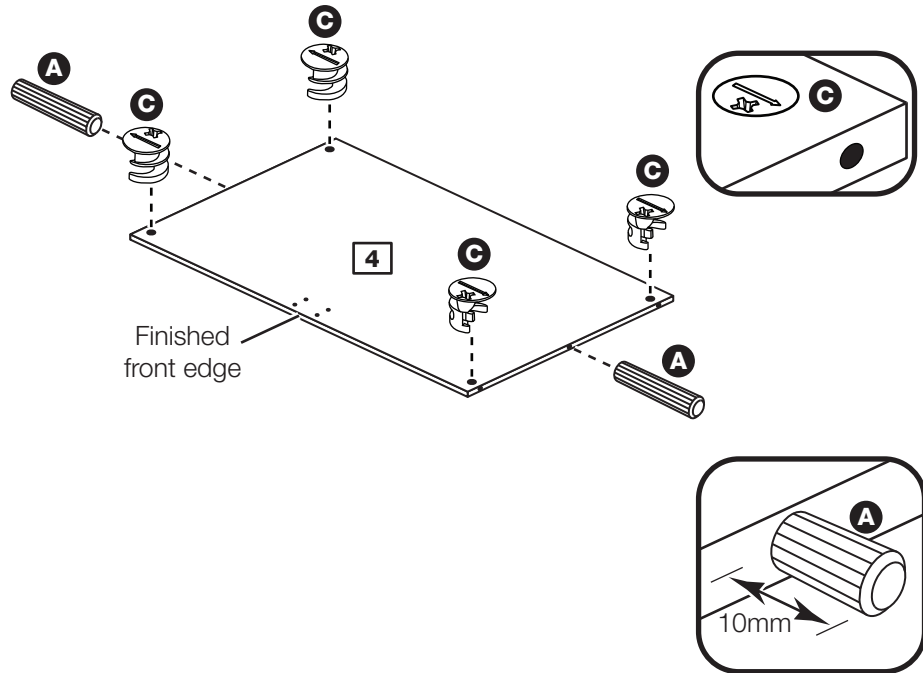
Prepare the large fixed shelf

Tap 2 wooden dowels **A** into the large fixed shelf **4**.

Note: Wooden dowels **must not** stick out from the edge by more than 10mm or they may damage other panels.

Insert 4 large locking nuts **C** into the large fixed shelf **4**.

Note: The arrow on the locking nut **must** point towards the hole in the edge of the panel.



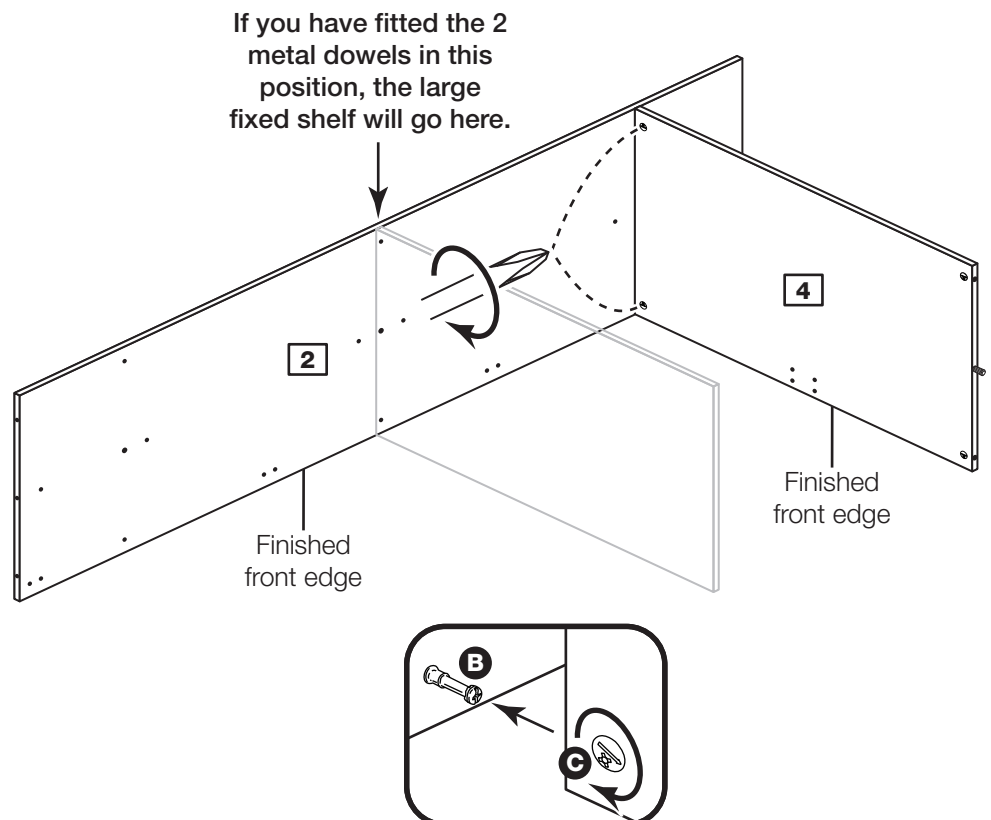
Step 7

Join the large fixed shelf to the upright

Push the large fixed shelf **4** onto the upright **2**.

Use a screwdriver to tighten the 2 large locking nuts **C** fitted to the large fixed shelf **4**.

Note: Turn the large locking nuts **C** as far as they will go - more than 1/2 a turn.

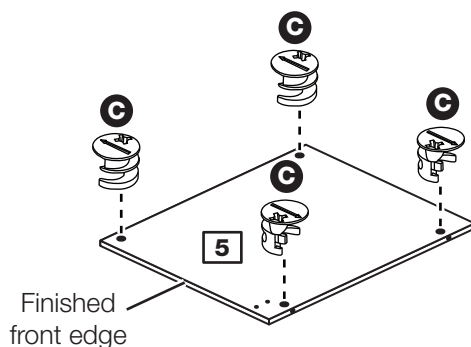


Assembly Instructions

Step 8

Prepare the small fixed shelf

Insert 4 large locking nuts **C** into the small fixed shelf **5**.



The following assembly diagrams will show the 2 fixed shelves at the top end of the unit.
You may have fitted 1 or both of them in the middle of the unit.

Step 9

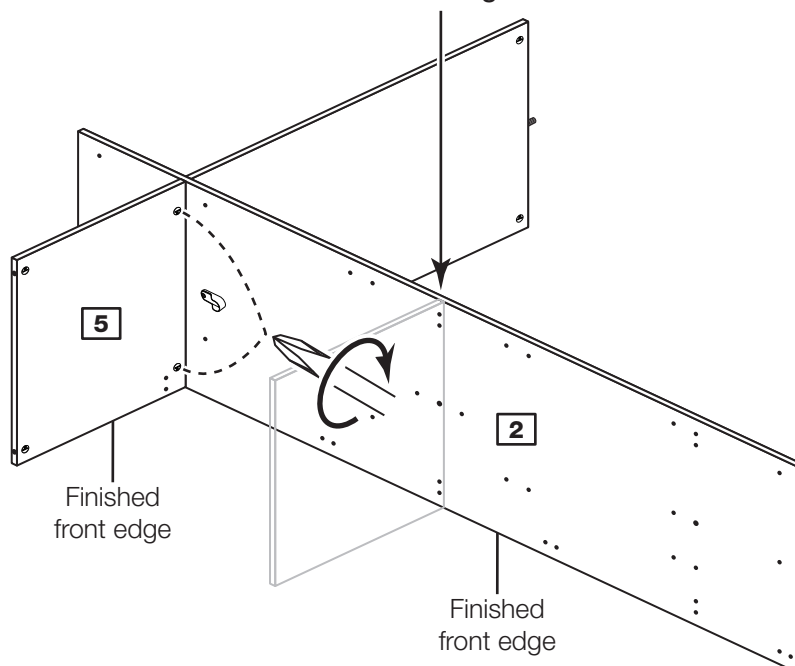
Join the small fixed shelf to the upright

Push the small fixed shelf **5** onto the upright **2**.

Use a screwdriver to tighten the 2 large locking nuts **C** fitted to the small fixed shelf **5**.

Note: Turn the large locking nuts **C** as far as they will go - more than 1/2 a turn.

If you have fitted the 2 metal dowels in this position, the small fixed shelf will go here.



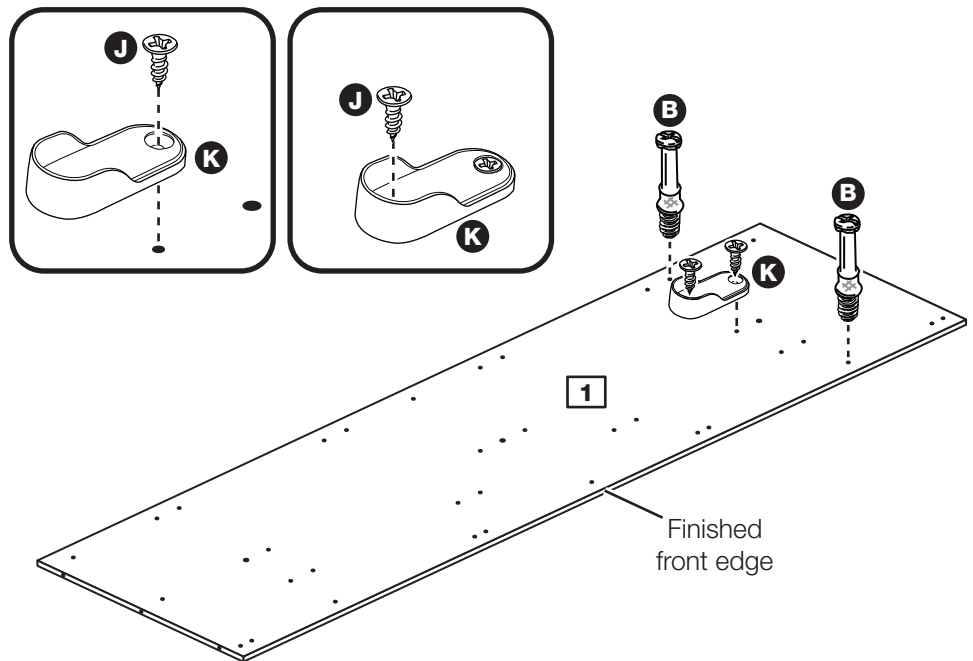
Assembly Instructions

Step 10

Prepare the right end

Screw 2 metal dowels **B** into the right end **1**.

To fit the rail holder **K**, screw through its top hole with screw **J** and into the shallow mark hole drilled in the right end **1**. Make sure that it is fitted straight, in line with the panel edges and then fit another screw **J** using the lower hole.



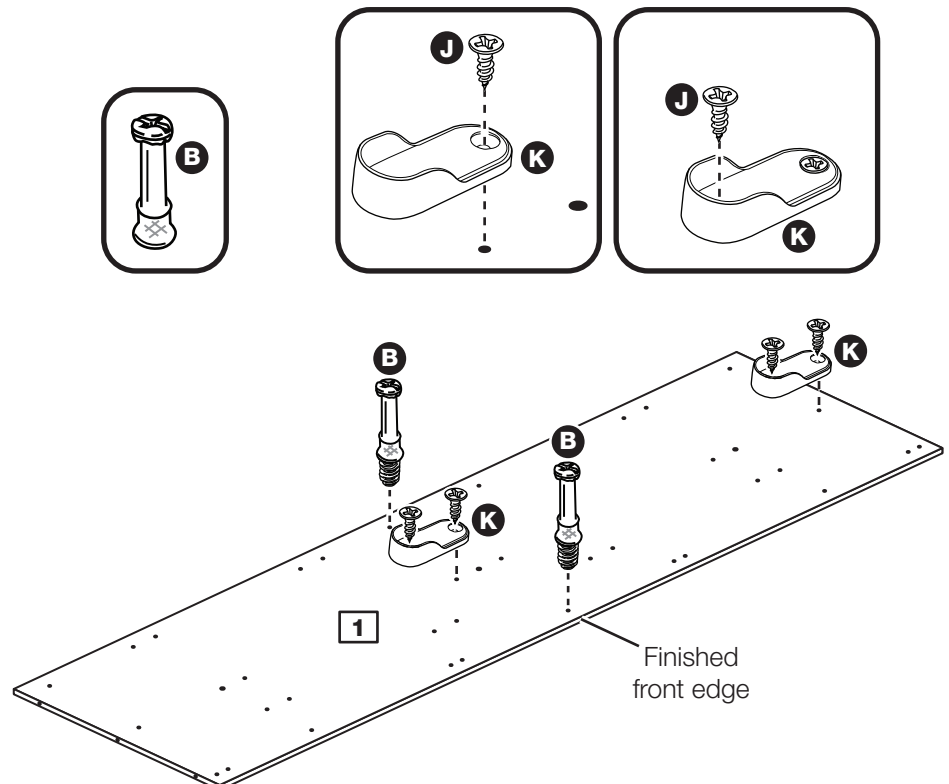
Step 11

Prepare the right end

Screw 2 metal dowels **B** into the right end **1**.

Note: Tighten the metal dowels up fully against the panels.

To fit the 2 rail holders **K** screw through the top hole with screw **J** and into the shallow mark hole drilled in the right end **1**. Make sure that they are fitted straight, in line with the panel edges and then fit another screw **J** using the lower hole.



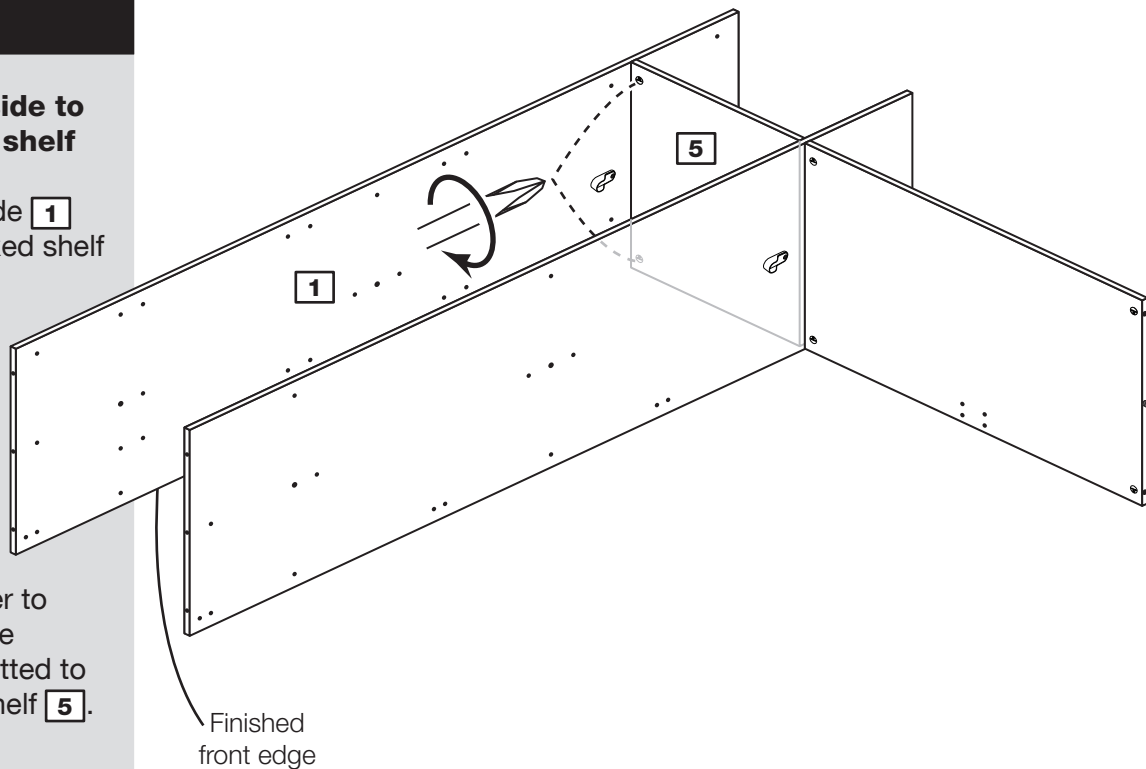
Assembly Instructions

Step 12

Join the right side to the small fixed shelf

Push the right side **1** onto the small fixed shelf **5**.

Use a screwdriver to tighten the 2 large locking nuts **C** fitted to the small fixed shelf **5**.



Step 13

Prepare the left end

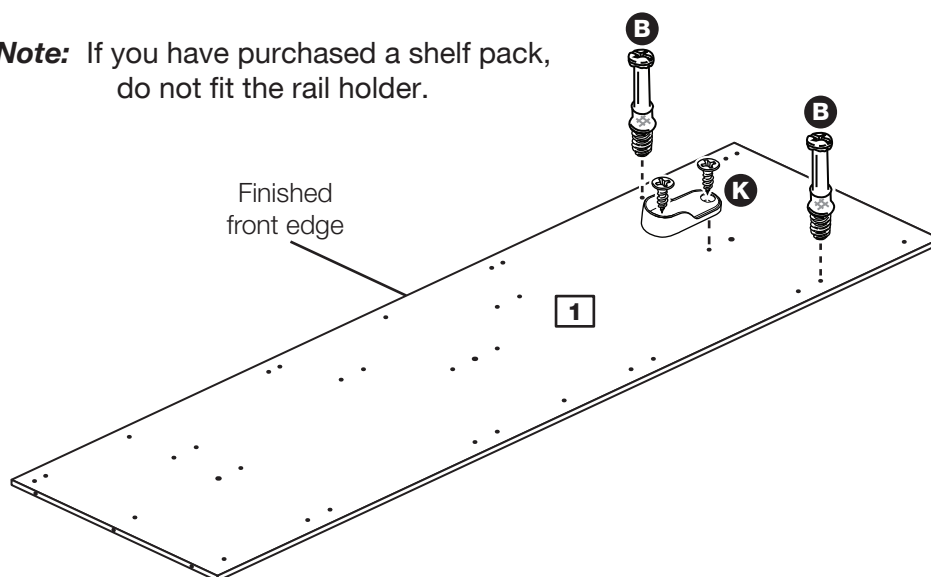
Screw 2 metal dowels **B** into the left end **1**.

Note: Tighten the metal dowels up fully against the panels.

To fit the rail holder **K**, screw through its top hole with screw **J** and into the shallow mark hole drilled in the left end **1**. Make sure that it is fitted straight, in line with the panel edges and then fit another screw **J** using the lower hole.

ONLY FOLLOW THIS STEP if you have fitted the large fixed shelf near the top of the upright.

Note: If you have purchased a shelf pack, do not fit the rail holder.



Assembly Instructions

Step 14

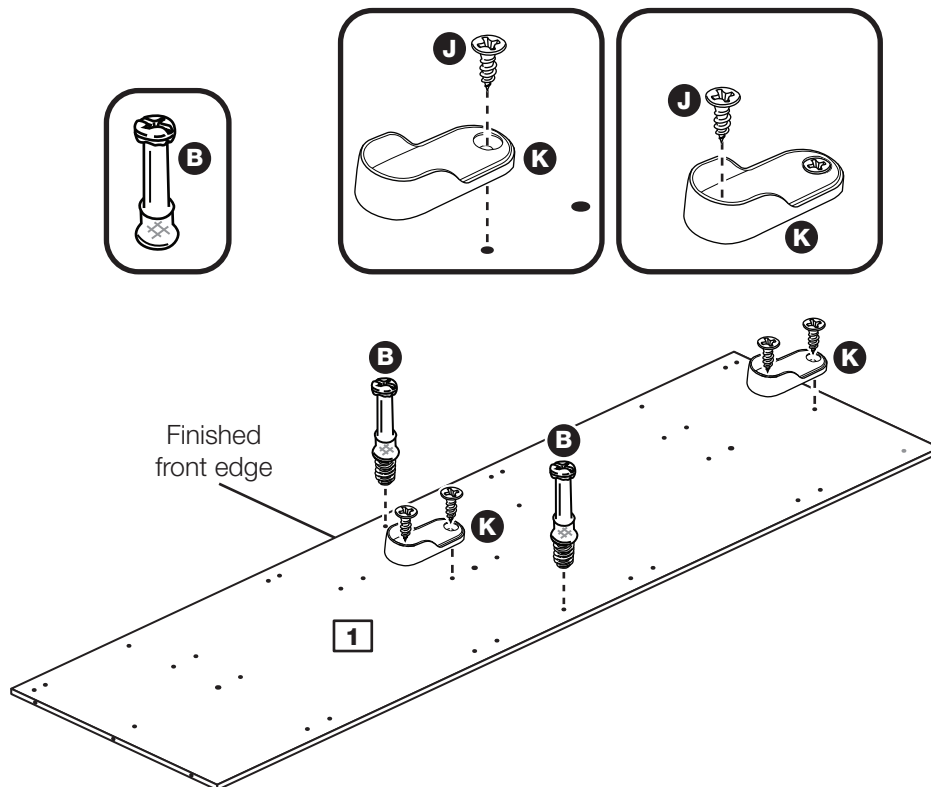
Prepare the left end

Refer to step 1 and, if you have chosen to fit 2 hanging rails, screw 2 metal dowels **B** into the left end **1**.

Note: Tighten the metal dowels up fully against the panels.

To fit the 2 rail holders **K** screw through the top hole with screw **J** and into the shallow mark hole drilled in the left end **1**. Make sure that they are fitted straight, in line with the panel edges and then fit another screw **J** using the lower hole.

ONLY FOLLOW THIS STEP if you have fitted the large fixed shelf in the middle of the upright.

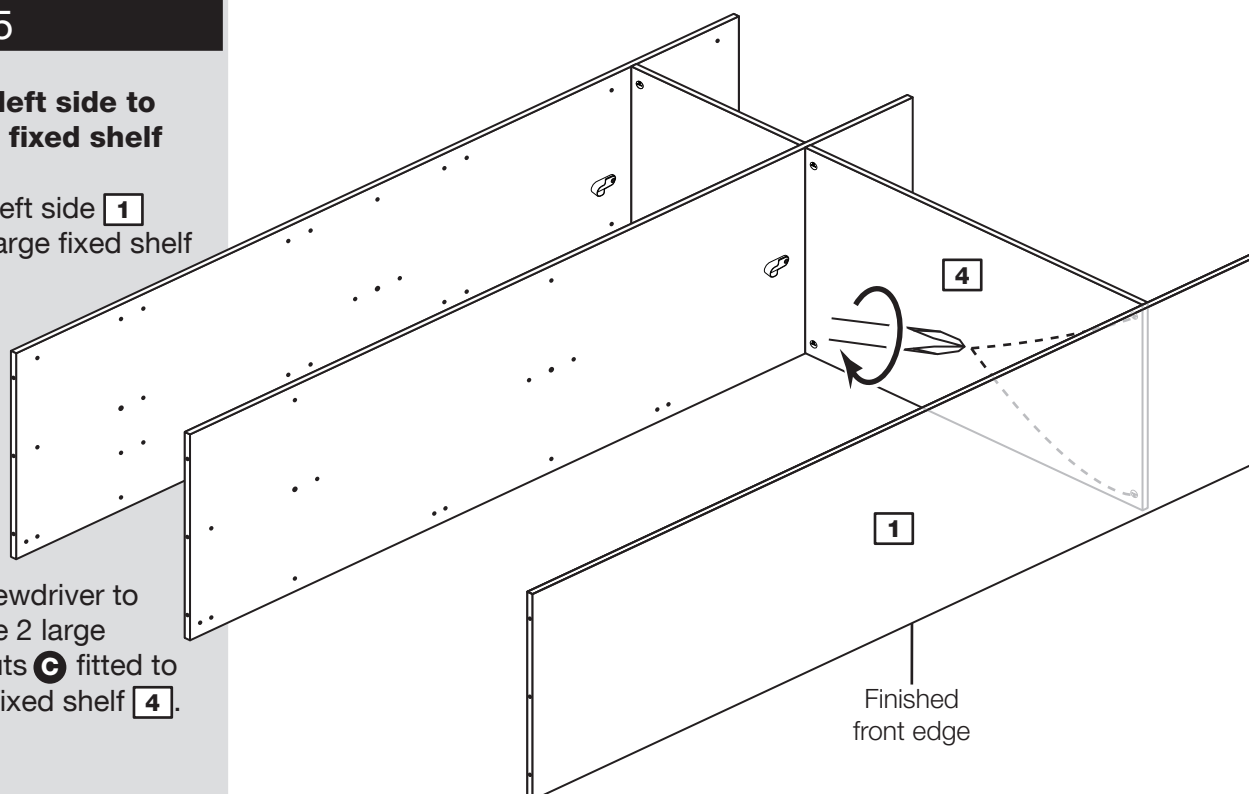


Step 15

Join the left side to the large fixed shelf

Push the left side **1** onto the large fixed shelf **4**.

Use a screwdriver to tighten the 2 large locking nuts **C** fitted to the large fixed shelf **4**.

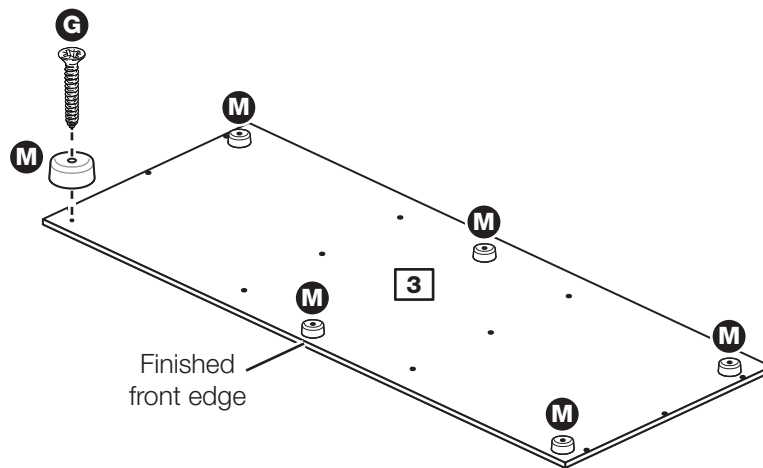


Assembly Instructions

Step 16

Prepare the base

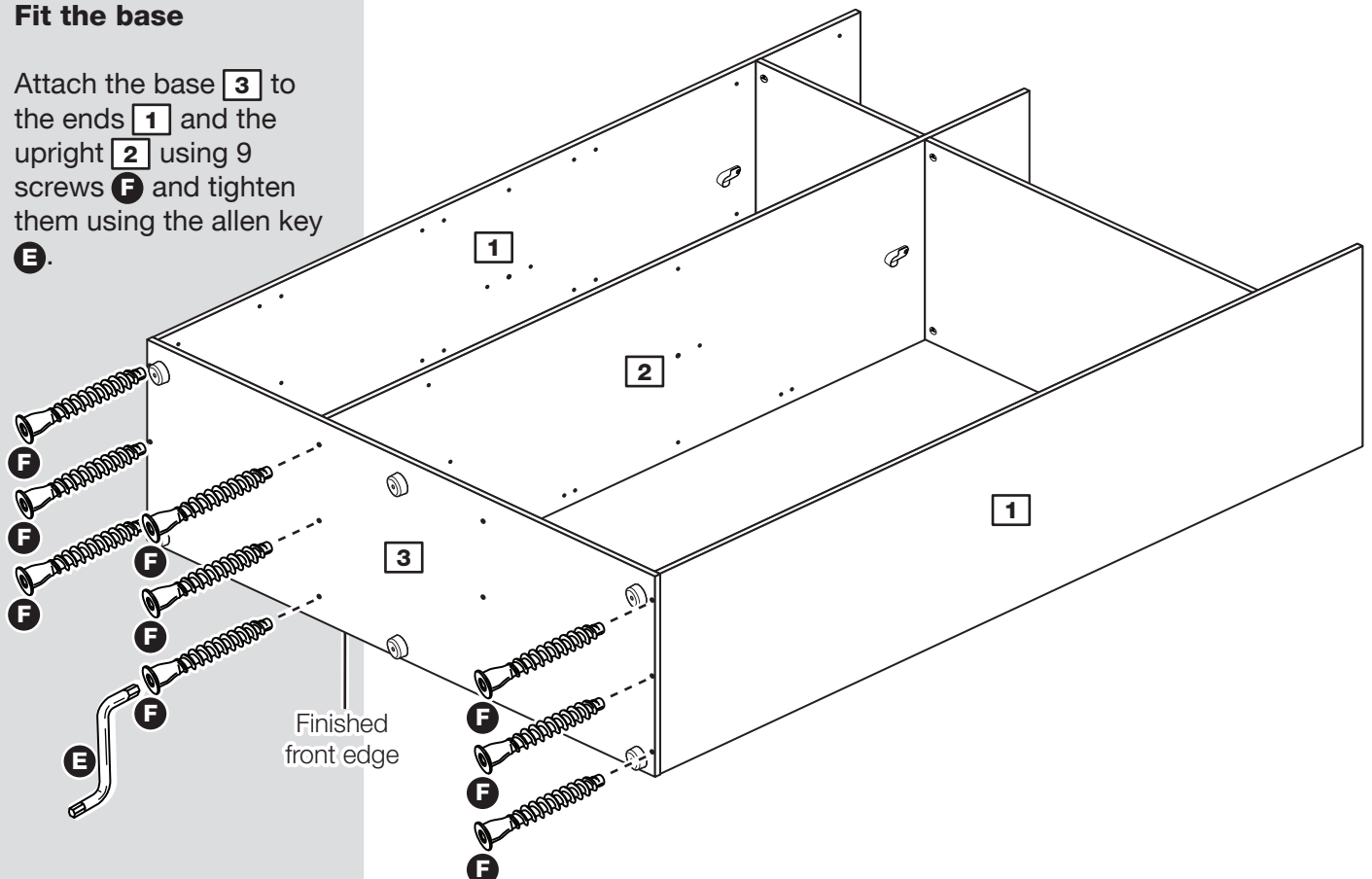
Screw the 6 feet **M** into the shallow mark holes on the base **3** using screws **G**.



Step 17

Fit the base

Attach the base **3** to the ends **1** and the upright **2** using 9 screws **F** and tighten them using the allen key **E**.

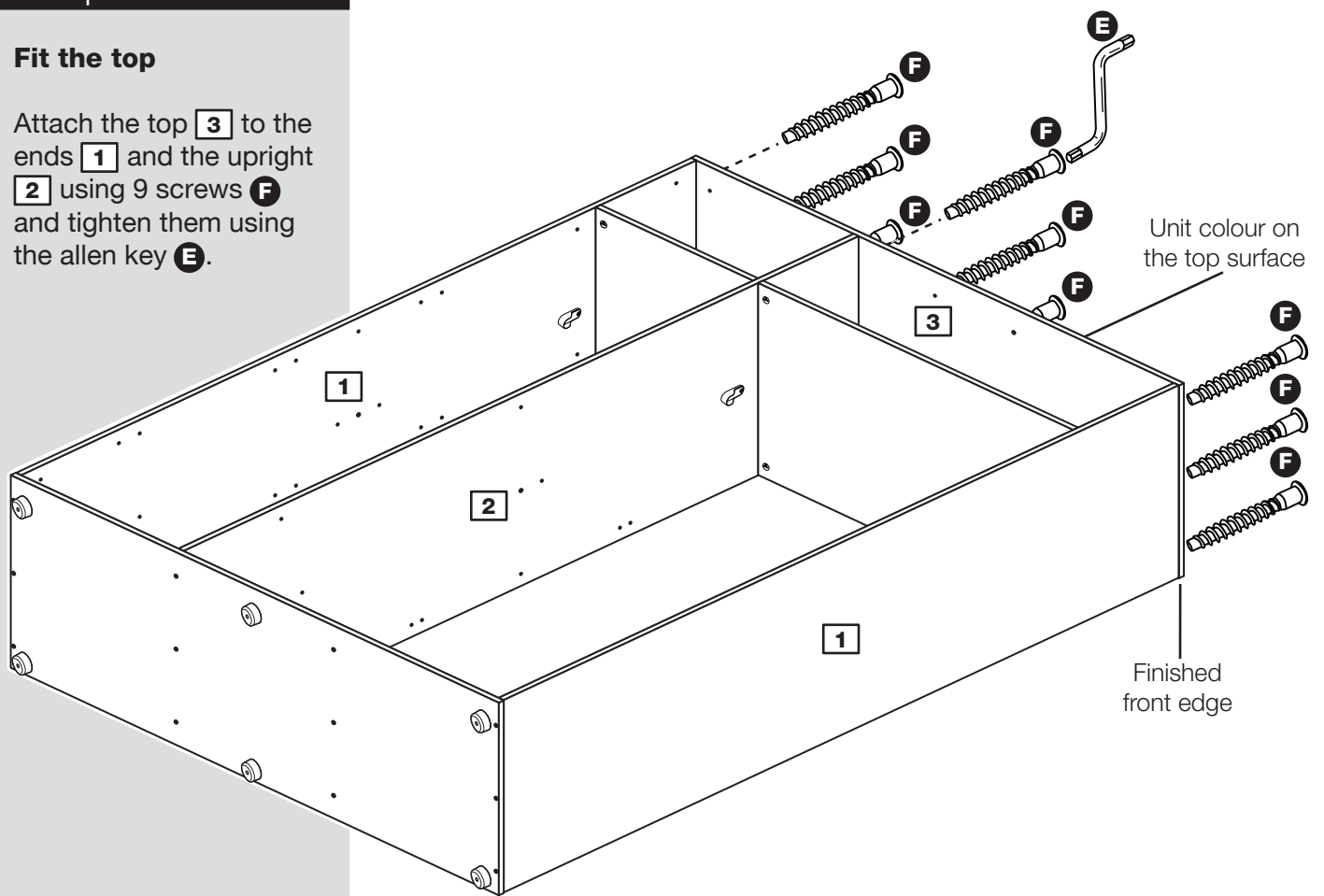


Assembly Instructions

Step 18

Fit the top

Attach the top **3** to the ends **1** and the upright **2** using 9 screws **F** and tighten them using the allen key **E**.



Assembly Instructions

Step 19

Fit the back panels

a: Square up the unit by making sure that the measurement **x:x equals y:y**.

Place the small back **8** and large back **9**, coloured surface facing down, onto the unit as shown.

Make sure that the 2 backs are pushed up tight against each other and that they meet in the centre of the divider's back edge.

b: Nail **D** around the outside edges of the 2 backs.

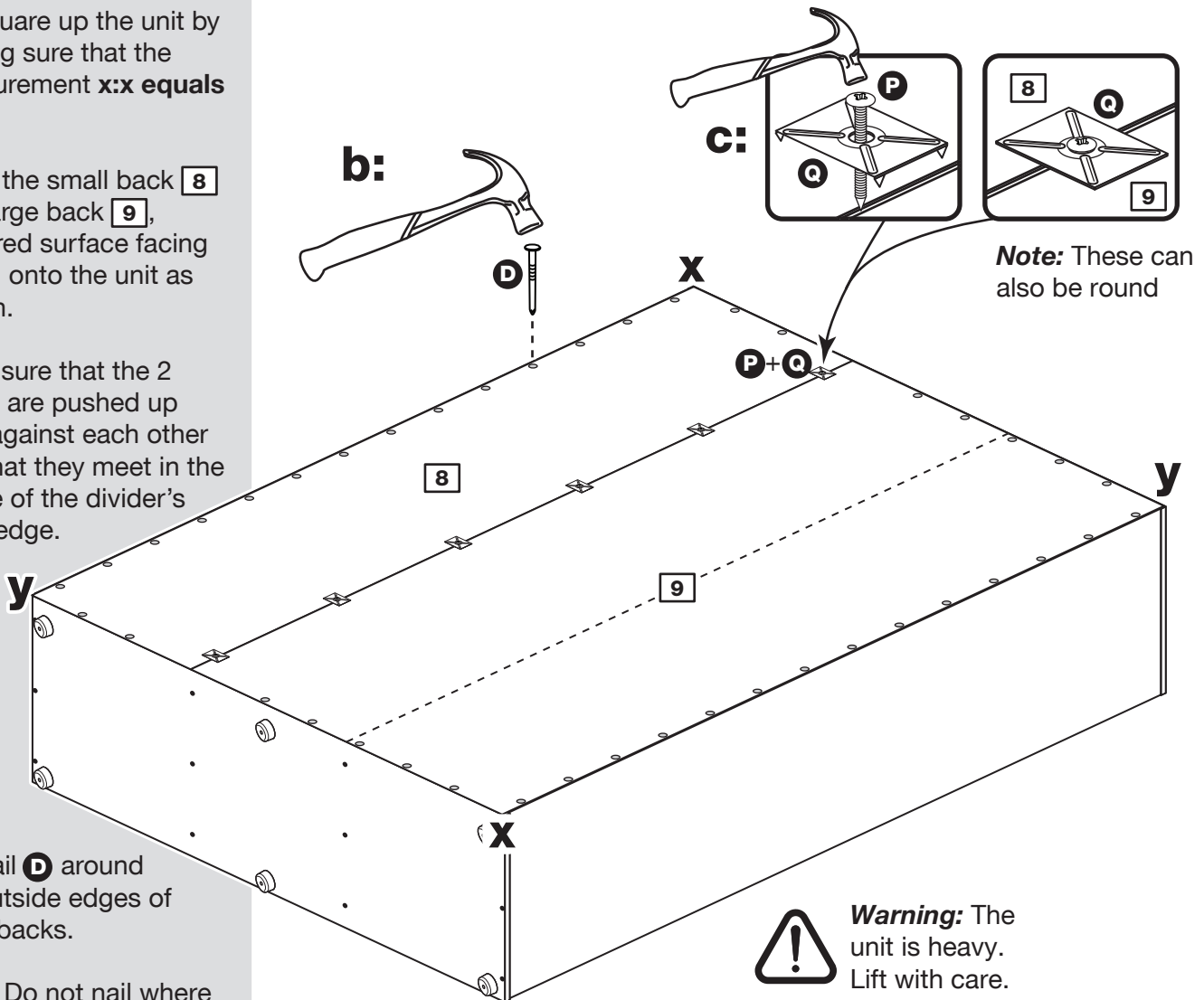
Note: Do not nail where the 2 backs meet.

c: Push the nail screws **P** through the back holders **Q** and tap them down between the small back **8** and large back **9** and into the back edge of the upright **2**.

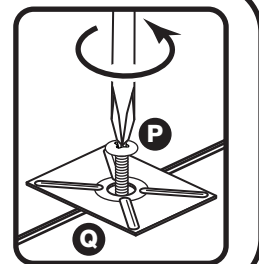
Keep tapping the nail screws **P** in until the back holders **Q** dig into the small and large back.

Stand the unit up for the next step.

a: The measurement from top corner X to bottom corner X must be equal to the measurement from top corner Y to bottom corner Y



Note: If ever you need to take the backs off to dismantle the unit, the nail screws can be taken out using a screwdriver.

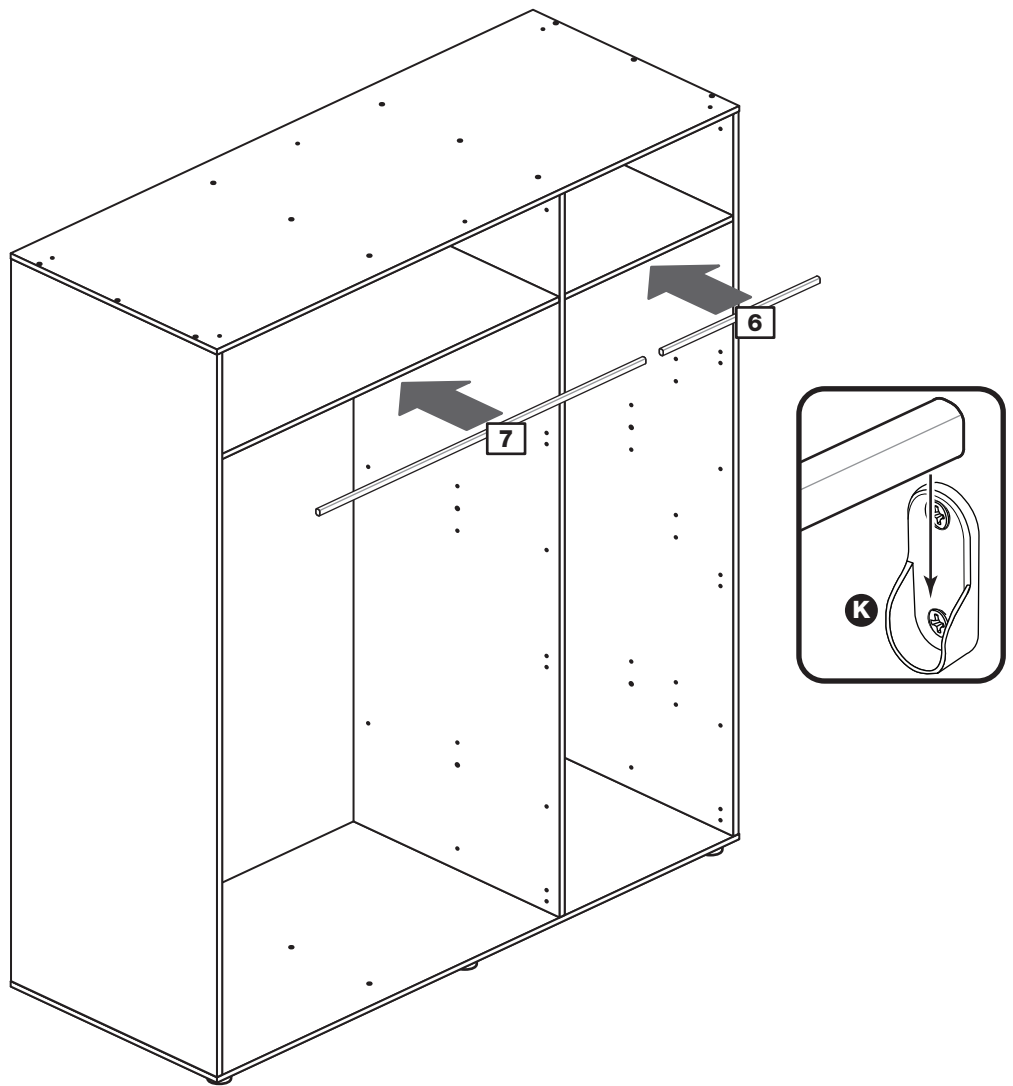


Assembly Instructions

Step 20

Fit the hanging rail(s)

If required, push the hanging rail(s) **6** and **7** into the rail holders **K** fitted to the panels.



Assembly Instructions

Step 21

Fit the 2 brackets

To prevent possible overbalancing, we recommend that this unit is secured to a suitable wall by use of the 2 brackets (L) fitted to the top of the unit.

Fixings are not supplied, as they will need to suit the wall type and the length of screws will depend on the distance from the back of the unit to the wall.

Fix the brackets (L) loosely onto the top of the unit using screws (I) and mark the wall for the wall fixing.

Swivel the brackets (L) away from the wall and drill the holes in the wall using a suitable drill bit and fit your wall fixings.

Swivel the brackets (L) back and fix the brackets to the wall, then tighten the screws (I).

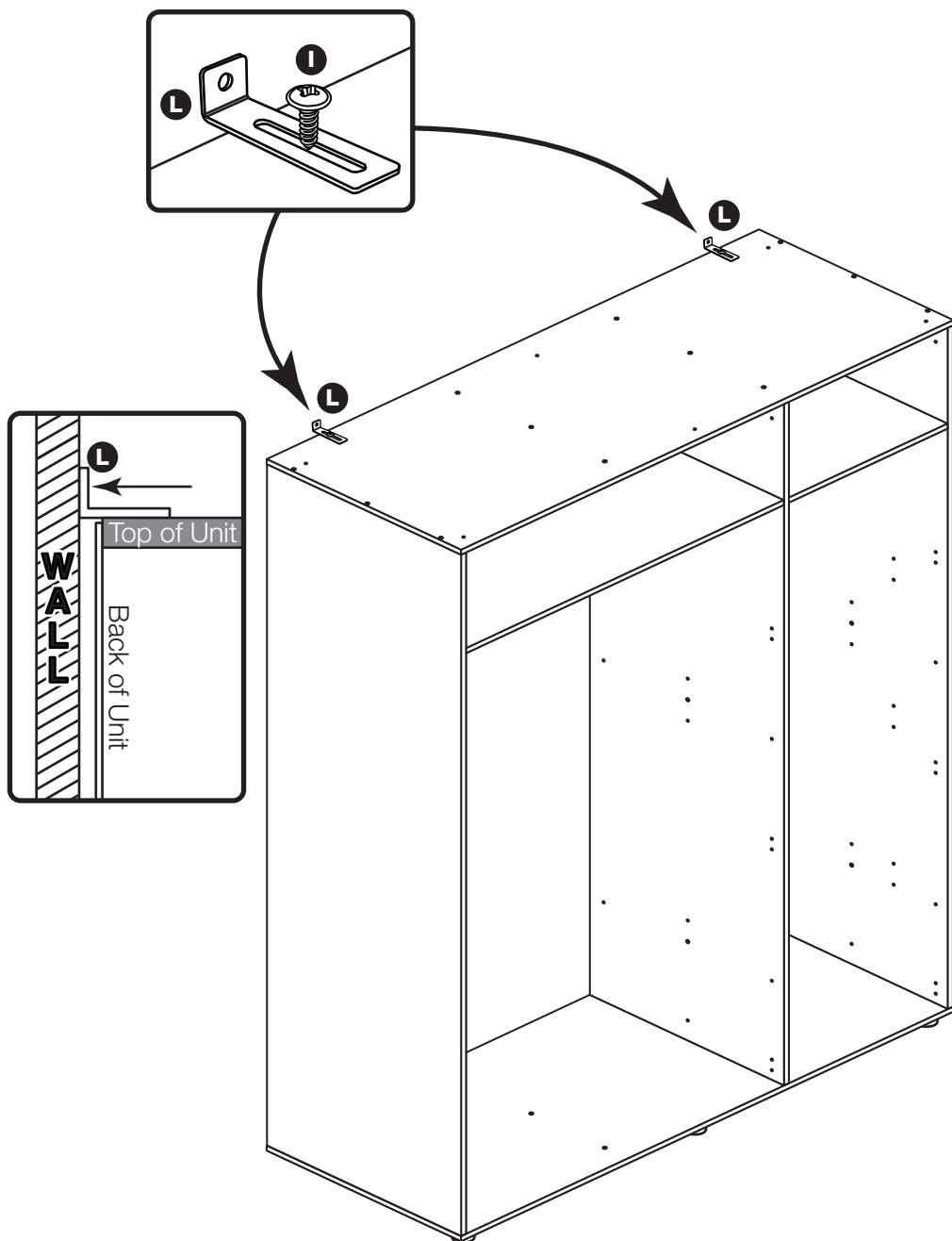
Note: Take care when drilling the wall that you do not drill into any pipes, wires etc. If in doubt, consult an expert.



Warning: The unit is heavy. Lift with care.

IMPORTANT

This unit **MUST** be fixed to a wall using both of the brackets supplied. The unit must be level and square before fitting the brackets.



NOTE

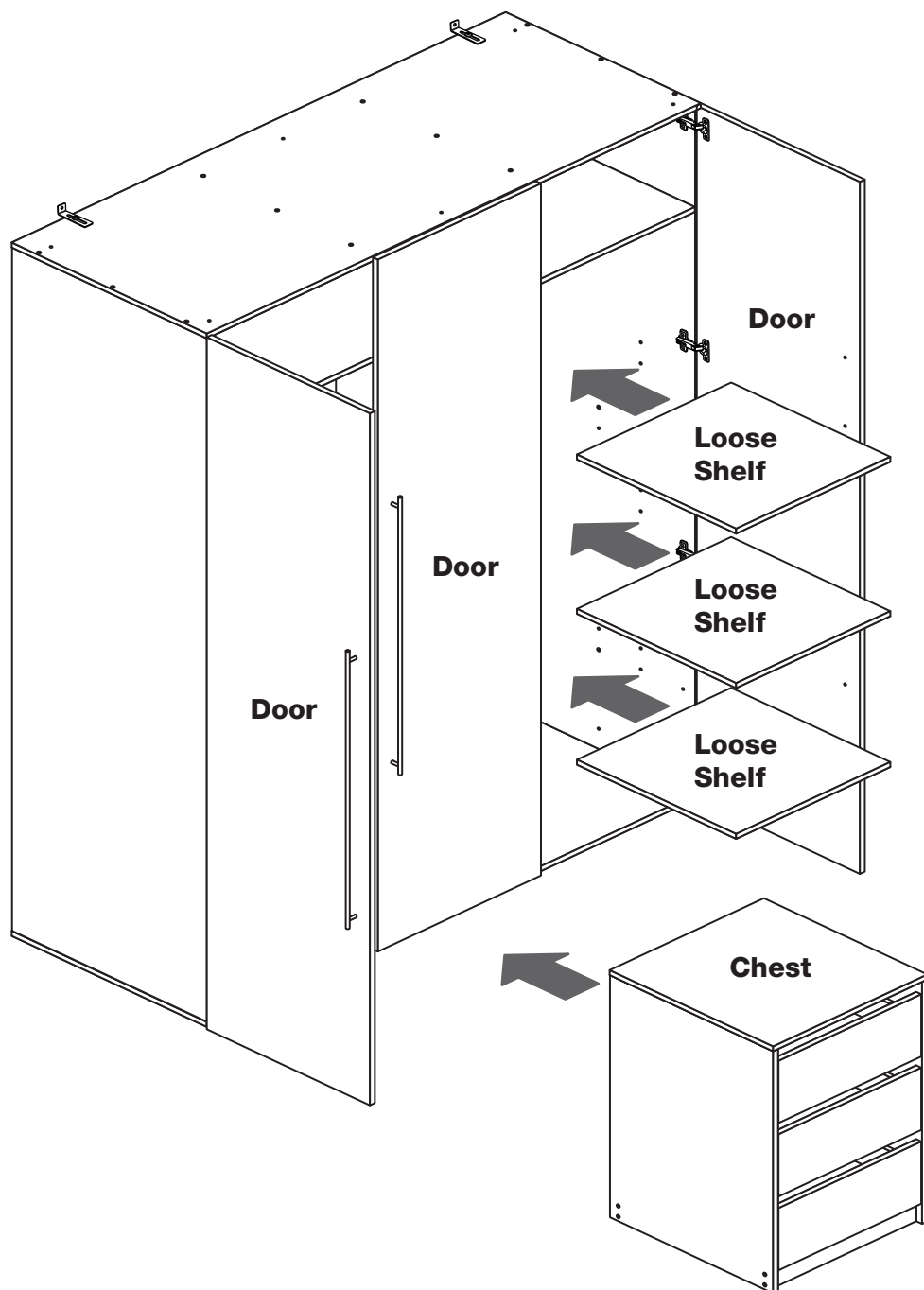
The unused fittings from this assembly are used to fit the doors. Please refer to the instructions packed with the doors.

Assembly Instructions

Step 22

Fit the doors and, if required, the shelf pack and internal chest

Please refer to the instructions packed with the doors, shelf pack or internal chest.



IMPORTANT

The unused fittings from this assembly are used to fit the doors.
Please refer to the instructions packed with the doors.

If you need help or have damaged or missing parts, call the Customer Helpline: 08456 400800
and quote the reference numbers on the component pages.

Argos Ltd, 489-499 Avebury Boulevard, Central Milton Keynes, MK9 2NW

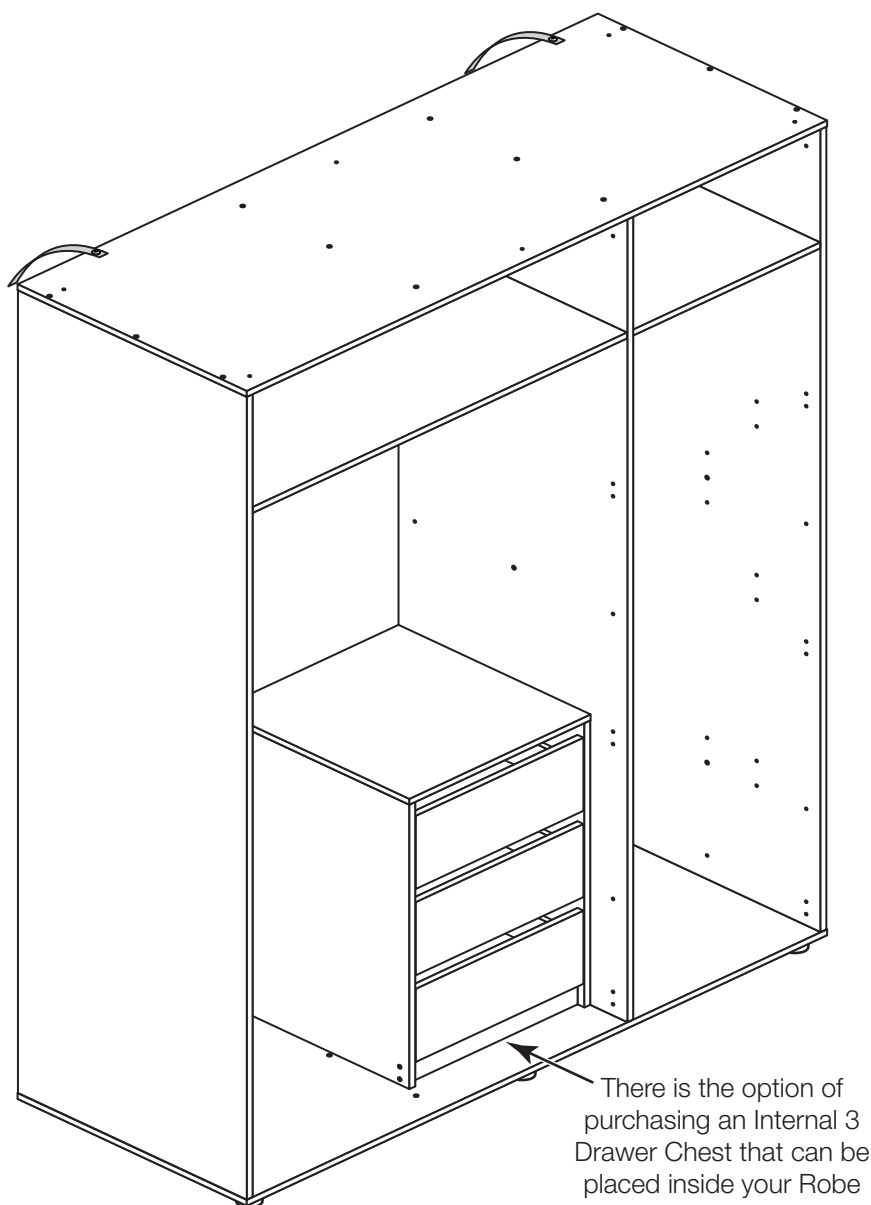
Atlas - Triple Robe Carcass

Assembly Instructions - Please keep for future reference

147/1999

145/7229

157/6760



Dimensions

Width - 150cm

Depth - 59.5cm

Height - 212.5cm

IMPORTANT

The unit **MUST** be fixed to a wall using both of the overbalance protector kits supplied.



**MADE IN
BRITAIN**

Important - Please read these instructions fully before starting assembly

If you need help or have damaged or missing parts, call the **Customer Helpline: 03456 400800**



Safety and Care Advice

Important - Please read these instructions fully before starting assembly

- **Warning:** This unit weighs approximately 65kgs. Please lift with care.

- Check you have all the components and tools listed on pages 2 and 3.

- Remove all fittings from the plastic bags and separate them into their groups.

- Keep children and animals away from the work area, small parts could choke if swallowed.

- Parts of the assembly will be easier with 2 people.

- Make sure you have enough space to layout the parts before starting.

- Do not stand or put weight on the product, this could cause damage.

- Assemble the item as close to its final position (in the same room) as possible.

- Assemble on a soft level surface to avoid damaging the unit or your floor (use opened out unit carton).



- We do not recommend the use of power drill/drivers **for inserting screws**, as this could damage the unit. Only use hand screwdrivers.

- **Safety note:** It is recommended that this unit is secured to a wall using both of the overbalance protector kits supplied or, an alternative fixing method of your choice.

- Dispose of all packaging carefully and responsibly.

Care and maintenance

- Only clean using a damp cloth and mild detergent, do not use bleach or abrasive cleaners.

- From time to time check that there are no loose screws on this unit.

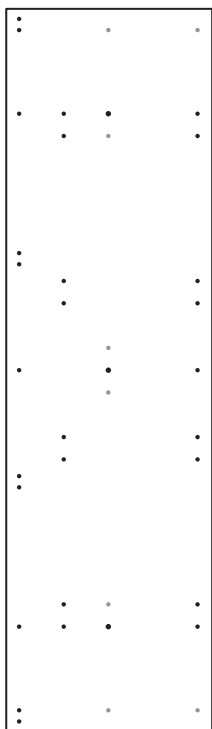
- This product should not be discarded with household waste. Take to your local authority waste disposal centre.

Note: If required the next page can be cut out and used as reference throughout the assembly. Keep this page with these instructions for future reference.

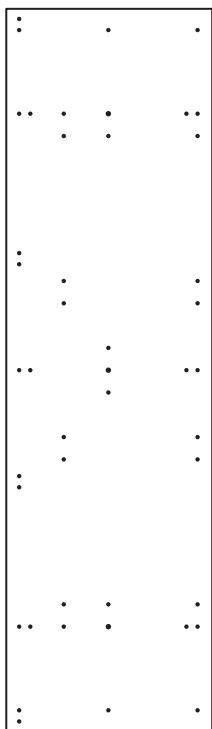
Components - Panels

If you have damaged or missing components, call the **Customer Helpline: 03456 400800** quoting the reference numbers below

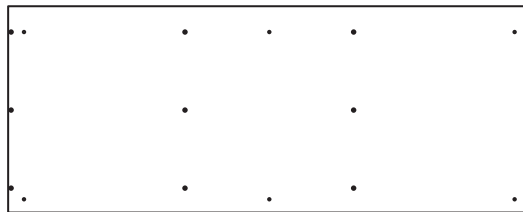
Please check you have all the panels listed below



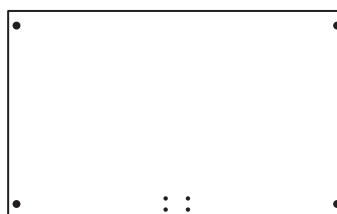
1 Universal End (D2396A)
(2074 x 591mm) x 2



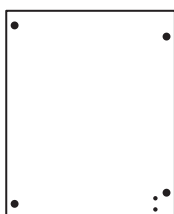
2 Upright (D2653A)
(2074 x 591mm)



3 Top/Base (D2652A)
(1499 x 592mm) x 2



4 Large Fixed Shelf (D2397A)
(968 x 590mm)



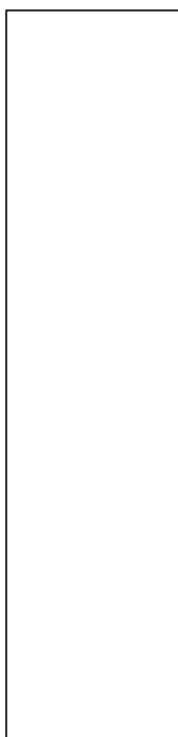
5 Small Fixed Shelf (D2654A)
(484 x 590mm)



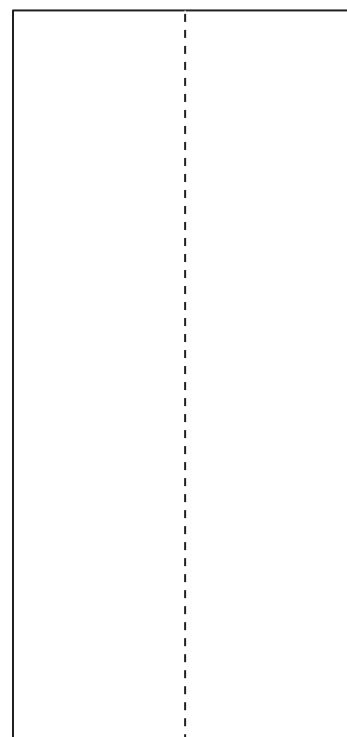
6 Small Hanging Rail (FHR476)
(476mm long) x 2



7 Large Hanging Rail (FHR960)
(960mm long) x 2



8 Small Back (X2100-504)
(2100 x 504mm)



9 Large Back (X2100-988)
(2100 x 988mm)

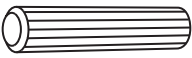
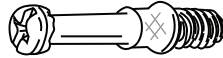

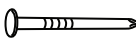






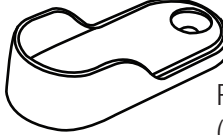
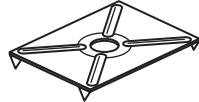
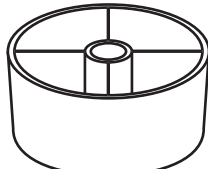
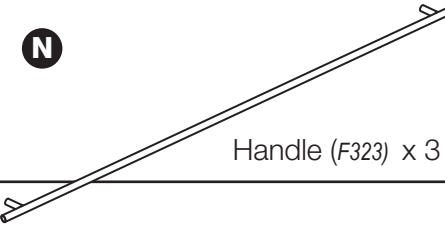
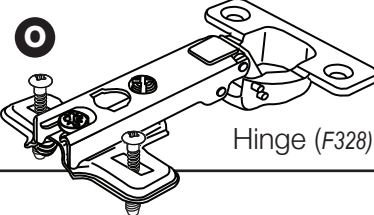
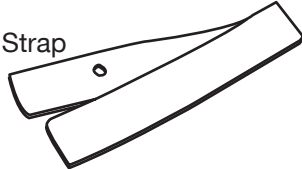




Components - Fittings

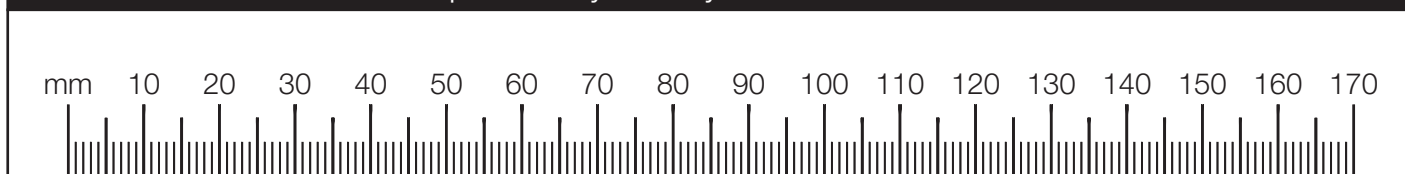
If you have damaged or missing components, call the **Customer Helpline: 03456 400800** quoting the reference numbers below

Please check you have all the fittings listed below

Note: The quantities below are the correct amount to complete the assembly. In some cases more fittings may be supplied than are required.

<p>A </p> <p>Wooden dowel (F22) x 2</p>	<p>B </p> <p>Metal dowel (F901) x 8</p>	<p>C </p> <p>Large locking nut (F900) x 8</p>
<p>D </p> <p>Nail (F51) x 40</p>	<p>E </p> <p>Allen Key (F36) x 1</p>	<p>F </p> <p>50mm Screw (F49) x 18</p>
<p>G </p> <p>25mm Screw (F50) x 6</p>	<p>H </p> <p>19mm Screw (F461) x 6</p>	<p>I </p> <p>Nail screw (F277) x 6</p>
<p>J </p> <p>13mm Screw (F63) x 38</p>	<p>K </p> <p>Rail Holder (F891) x 8</p>	<p>L </p> <p>Back holder (F276) x 6 *These can also be round</p>
<p>M </p> <p>Feet (F854) x 6</p>	<p>N </p> <p>Handle (F323) x 3</p>	<p>O </p> <p>Hinge (F328) x 12</p>
<p>P </p> <p>Strap</p> <p> Screw  Washer x 2</p> <p>Overbalance protector kit (F269) x 2</p>		

Ruler - Use this ruler to help correctly identify the screws

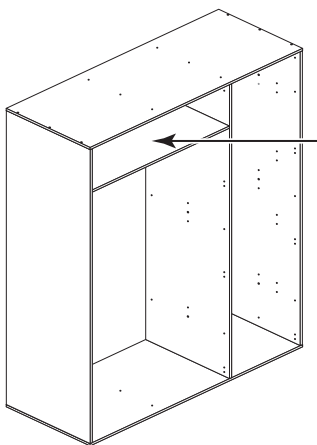


Assembly Instructions

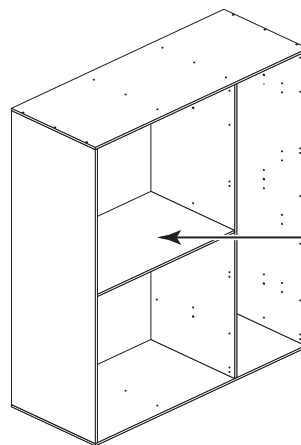
If you have damaged or missing components, call the **Customer Helpline: 03456 400800** quoting the reference numbers below

Step 1

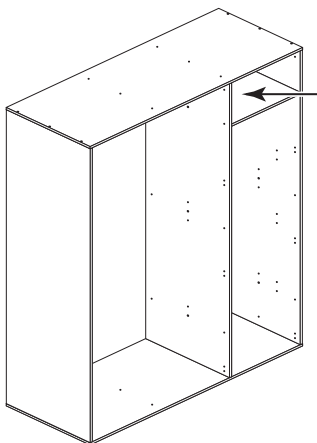
Are you fitting 1 or 2 hanging rails or, a shelf pack?



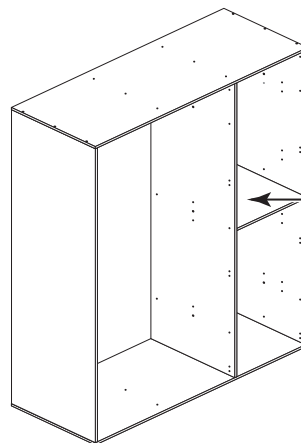
If you are just fitting 1 hanging rail to this side, the large fixed shelf will need to go here.



If you are fitting 2 hanging rails to this side, the large fixed shelf will need to go here.



If you are just fitting 1 hanging rail or the shelf pack to this side, the small fixed shelf will need to go here.



If you are fitting 2 hanging rails to this side, the small fixed shelf will need to go here.

Assembly Instructions

Step 2

Prepare the upright

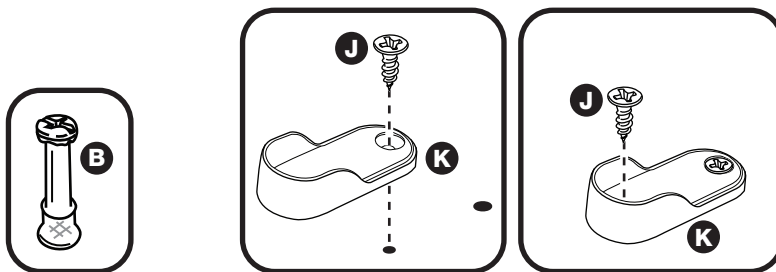
Screw 2 metal dowels **B** into the upright **2**.

Note: Tighten the metal dowels up fully against the panels.

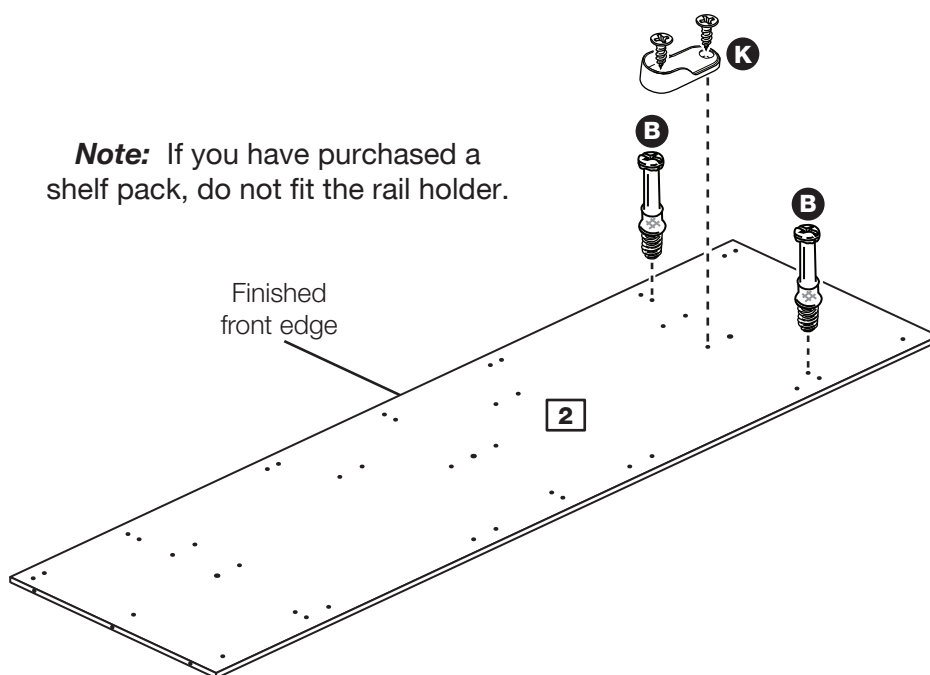
Note: If you have purchased a shelf pack, do not fit the rail holder.

To fit the rail holder **K**, screw through its top hole with screw **J** and into the shallow mark hole drilled in the upright **2**. Make sure that it is fitted straight, in line with the panel edges and then fit another screw **J** using the lower hole.

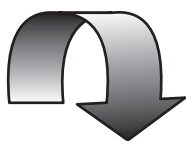
Refer to Step 1 and **ONLY FOLLOW THIS STEP** if you are fitting the small fixed shelf near the top of the unit.



Note: If you have purchased a shelf pack, do not fit the rail holder.



Please ensure you have your panel in exactly the same orientation as the picture above and use the 2 inside holes for screws B as shown in the picture.



Turn the upright over and carry out either step 4 or 5

Assembly Instructions

Step 3

Prepare the upright

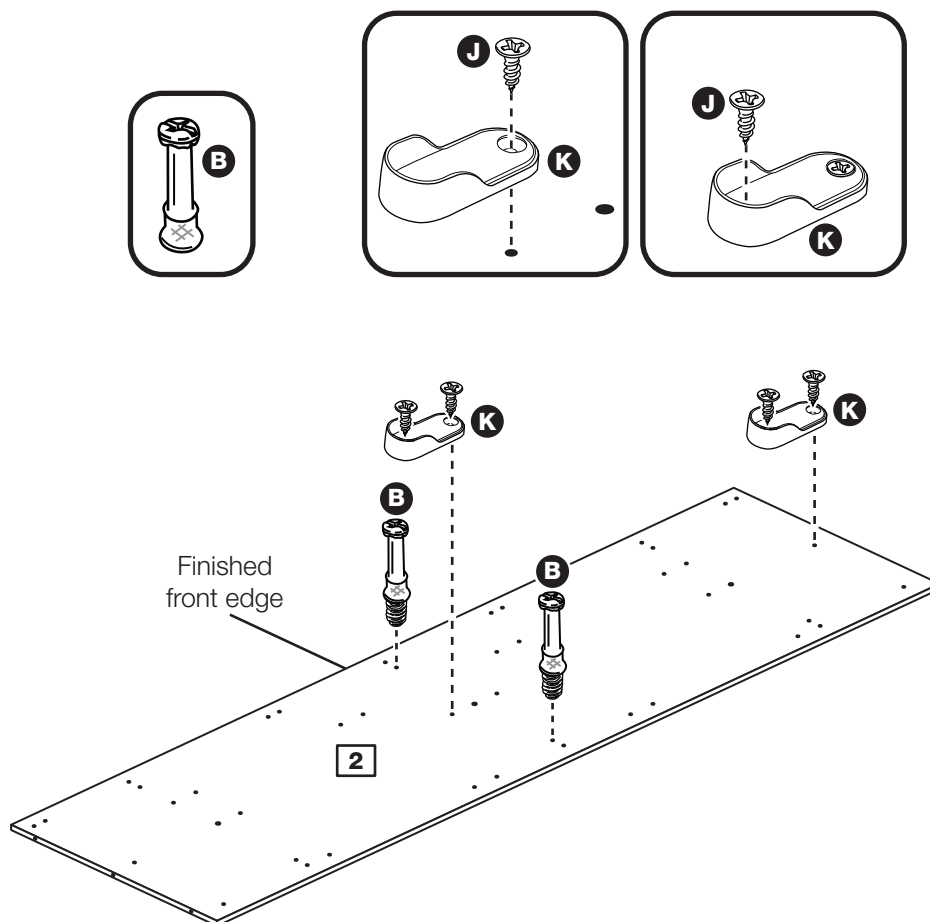
Screw 2 metal dowels **B** into the upright **2**.

Note: Tighten the metal dowels up fully against the panels.

Note: If you have purchased a shelf pack, do not fit the rail holder.

To fit the rail holders **K**, screw through their top hole with screw **J** and into the shallow mark hole drilled in the upright **2**. Make sure that it is fitted straight, in line with the panel edges and then fit another screw **J** using their lower hole.

Refer to Step 1 and **ONLY FOLLOW THIS STEP** if you are fitting the small fixed shelf near the middle of the unit.



Please ensure you have your panel in exactly the same orientation as the picture above and use the 2 inside holes for screws B as shown in the picture.



Turn the upright over and carry out either step 4 or 5

Assembly Instructions

Step 4

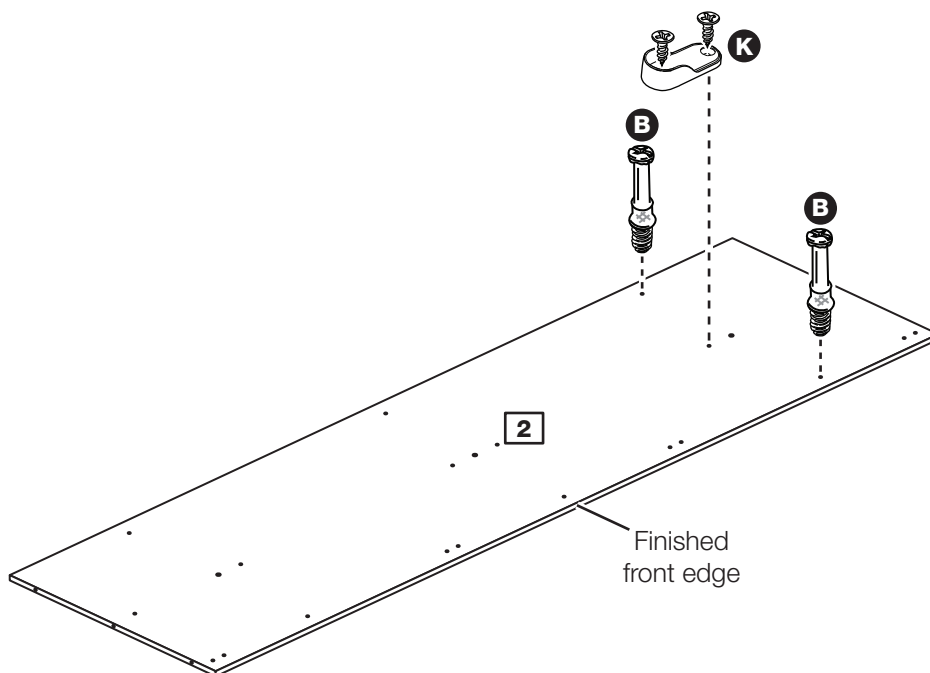
Prepare the upright

Screw 2 metal dowels **B** into the upright **2**.

Note: Tighten the metal dowels up fully against the panels.

To fit the rail holder **K**, screw through its top hole with screw **J** and into the shallow mark hole drilled in the upright **2**. Make sure that it is fitted straight, in line with the panel edges and then fit another screw **J** using the lower hole.

Refer to Step 1 and **ONLY FOLLOW THIS STEP** if you are fitting the large fixed shelf near the top of the unit.



Step 5

Prepare the upright

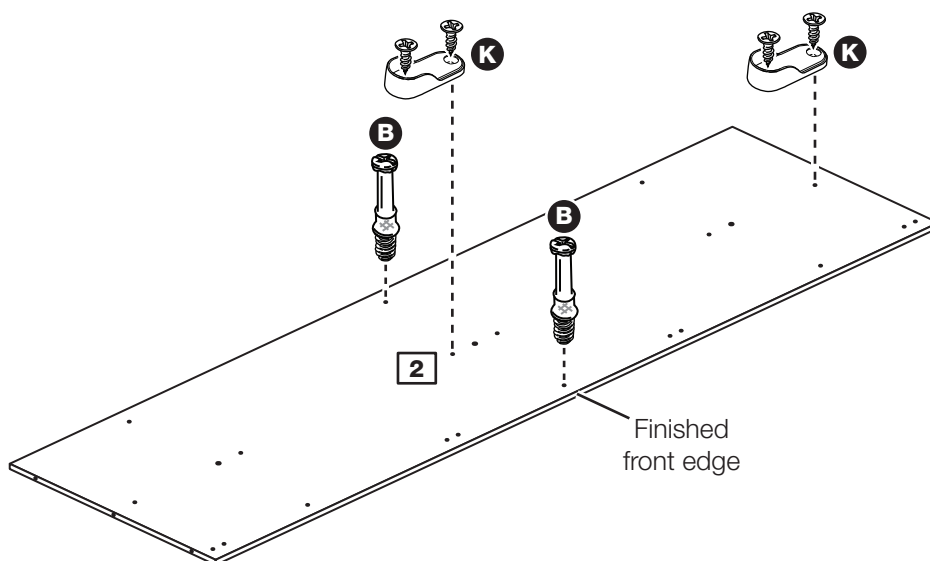
Screw 2 metal dowels **B** into the upright **2**.

Note: Tighten the metal dowels up fully against the panels.

Note: If you have purchased a shelf pack, do not fit the rail holder.

To fit the rail holders **K**, screw through their top hole with screw **J** and into the shallow mark hole drilled in the upright **2**. Make sure that it is fitted straight, in line with the panel edges and then fit another screw **J** using their lower hole.

Refer to Step 1 and **ONLY FOLLOW THIS STEP** if you are fitting the large fixed shelf near the middle of the unit.



Assembly Instructions

Step 6

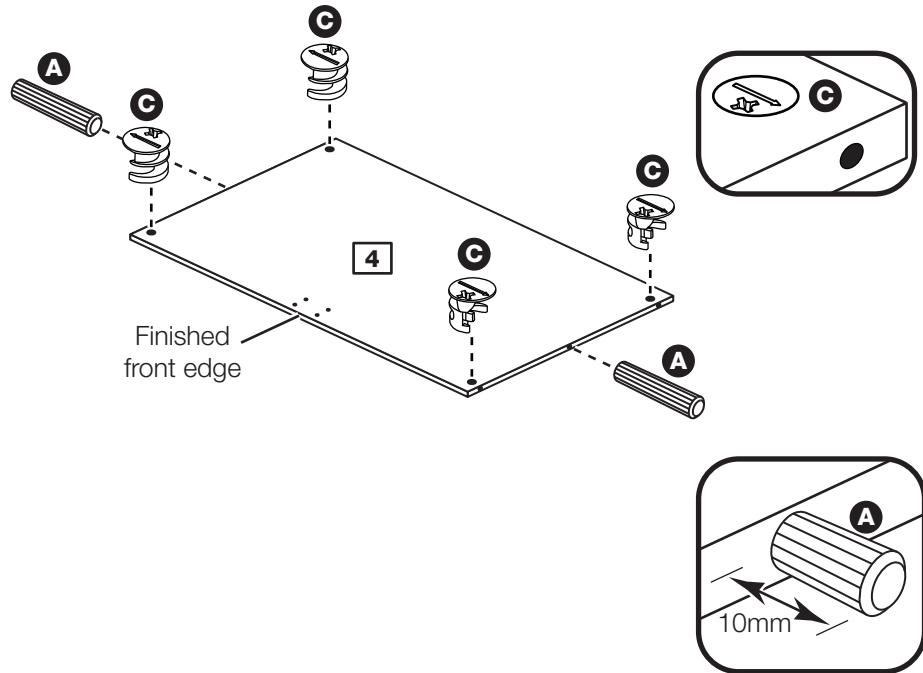
Prepare the large fixed shelf

Tap 2 wooden dowels **A** into the large fixed shelf **4**.

Note: Wooden dowels **must not** stick out from the edge by more than 10mm or they may damage other panels.

Insert 4 large locking nuts **C** into the large fixed shelf **4**.

Note: The arrow on the locking nut **must** point towards the hole in the edge of the panel.



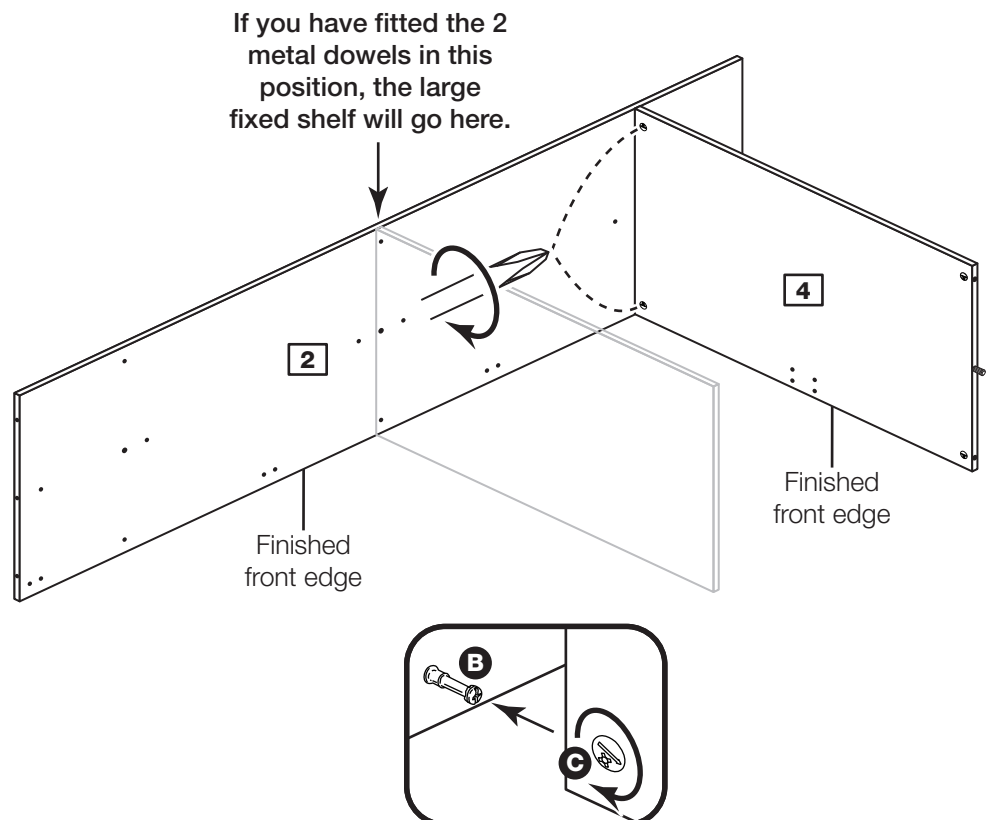
Step 7

Join the large fixed shelf to the upright

Push the large fixed shelf **4** onto the upright **2**.

Use a screwdriver to tighten the 2 large locking nuts **C** fitted to the large fixed shelf **4**.

Note: Turn the large locking nuts **C** as far as they will go - more than 1/2 a turn.

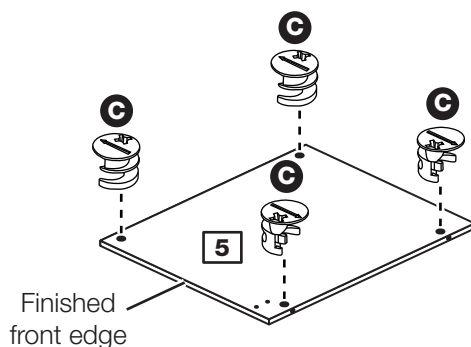


Assembly Instructions

Step 8

Prepare the small fixed shelf

Insert 4 large locking nuts **C** into the small fixed shelf **5**.



The following assembly diagrams will show the 2 fixed shelves at the top end of the unit.
You may have fitted 1 or both of them in the middle of the unit.

Step 9

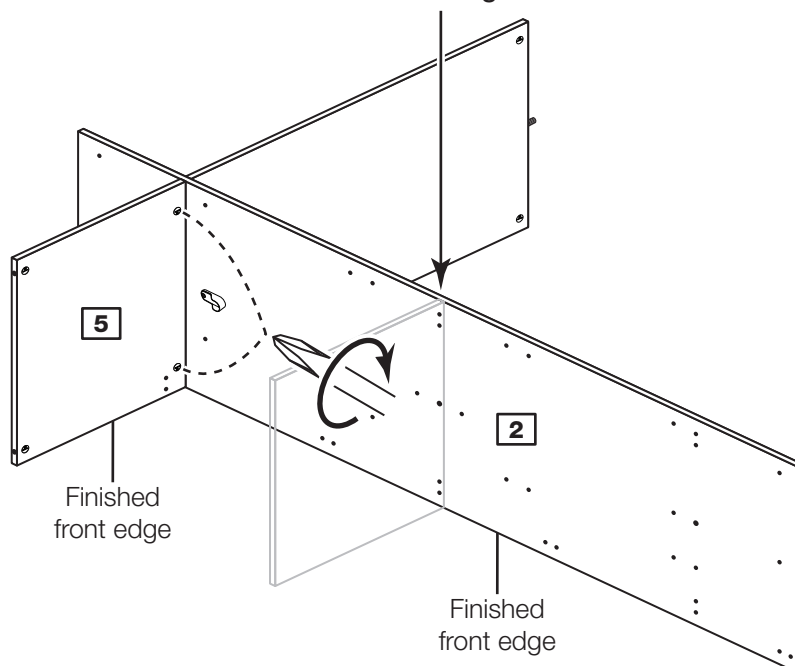
Join the small fixed shelf to the upright

Push the small fixed shelf **5** onto the upright **2**.

Use a screwdriver to tighten the 2 large locking nuts **C** fitted to the small fixed shelf **5**.

Note: Turn the large locking nuts **C** as far as they will go - more than 1/2 a turn.

If you have fitted the 2 metal dowels in this position, the small fixed shelf will go here.



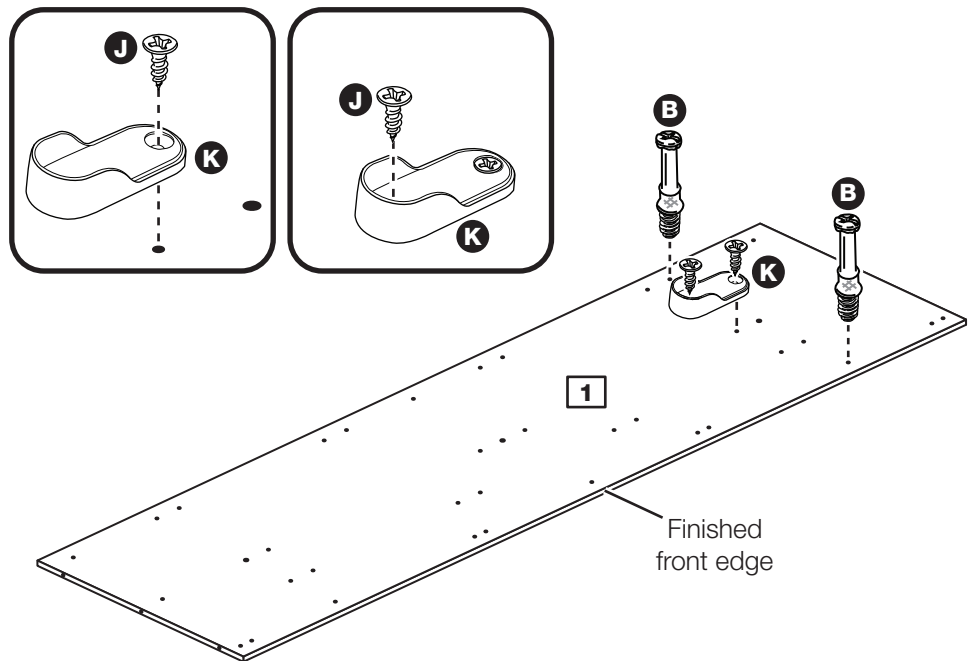
Assembly Instructions

Step 10

Prepare the right end

Screw 2 metal dowels **B** into the right end **1**.

To fit the rail holder **K**, screw through its top hole with screw **J** and into the shallow mark hole drilled in the right end **1**. Make sure that it is fitted straight, in line with the panel edges and then fit another screw **J** using the lower hole.



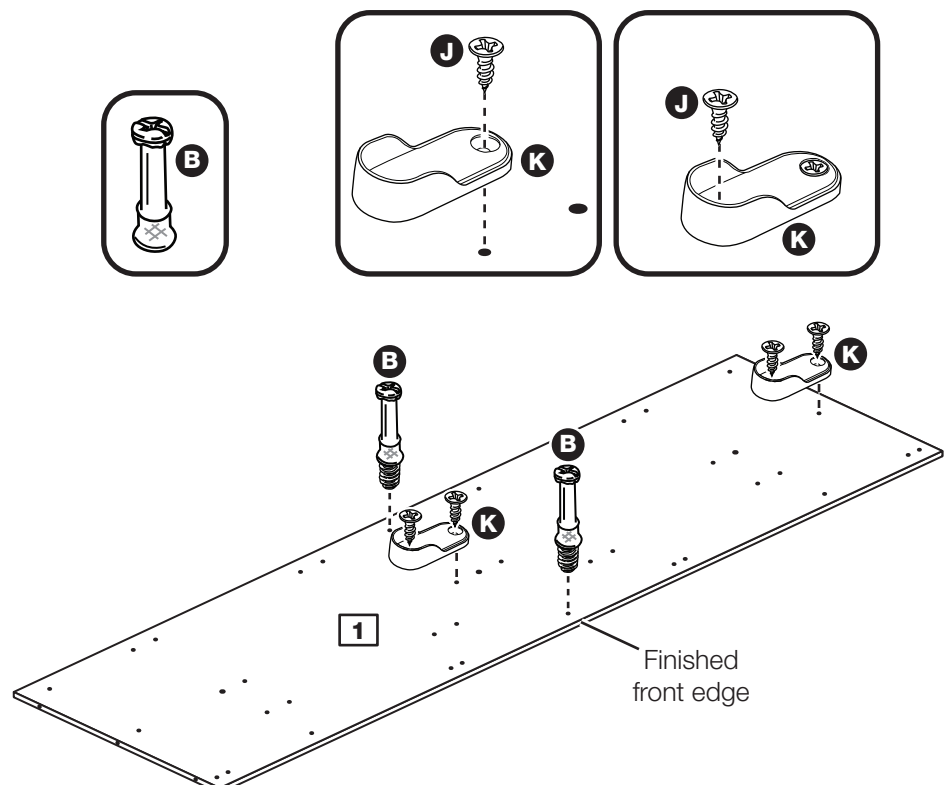
Step 11

Prepare the right end

Screw 2 metal dowels **B** into the right end **1**.

Note: Tighten the metal dowels up fully against the panels.

To fit the 2 rail holders **K** screw through the top hole with screw **J** and into the shallow mark hole drilled in the right end **1**. Make sure that they are fitted straight, in line with the panel edges and then fit another screw **J** using the lower hole.



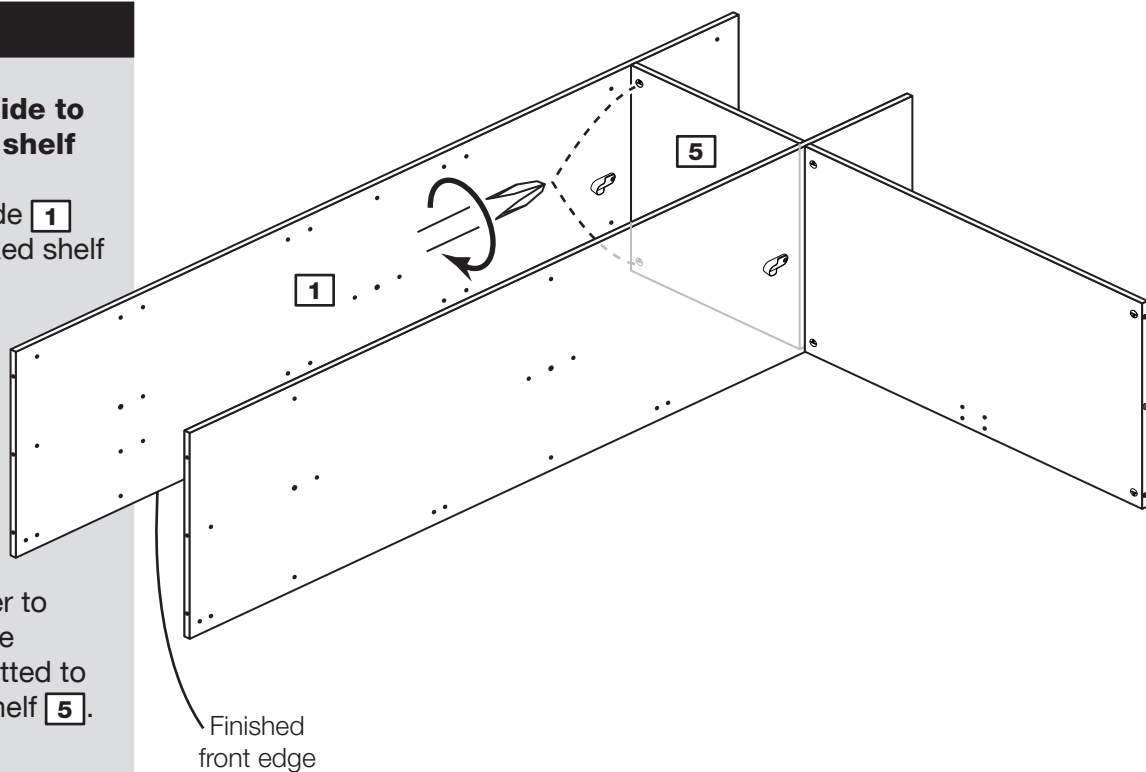
Assembly Instructions

Step 12

Join the right side to the small fixed shelf

Push the right side **1** onto the small fixed shelf **5**.

Use a screwdriver to tighten the 2 large locking nuts **C** fitted to the small fixed shelf **5**.



Step 13

Prepare the left end

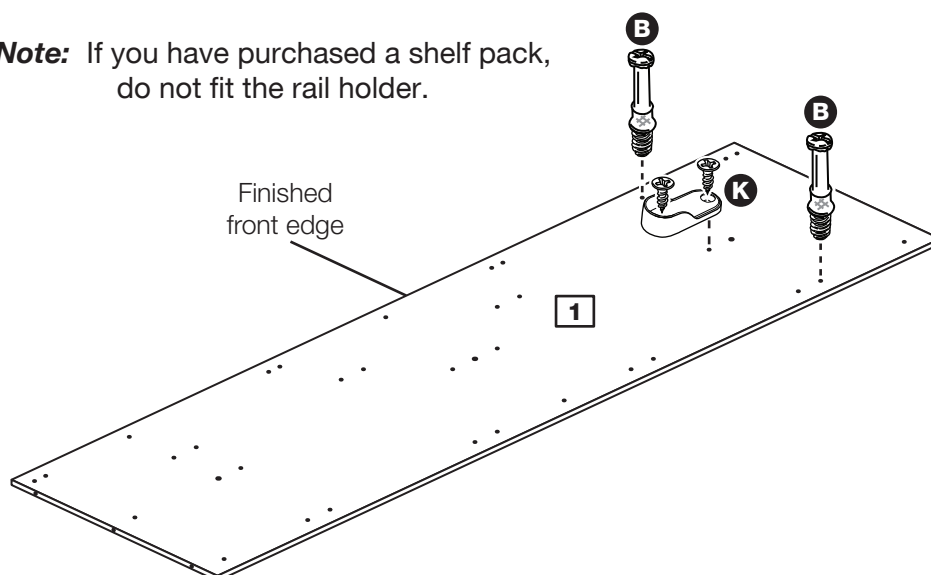
Screw 2 metal dowels **B** into the left end **1**.

Note: Tighten the metal dowels up fully against the panels.

To fit the rail holder **K**, screw through its top hole with screw **J** and into the shallow mark hole drilled in the left end **1**. Make sure that it is fitted straight, in line with the panel edges and then fit another screw **J** using the lower hole.

ONLY FOLLOW THIS STEP if you have fitted the large fixed shelf near the top of the upright.

Note: If you have purchased a shelf pack, do not fit the rail holder.



Assembly Instructions

Step 14

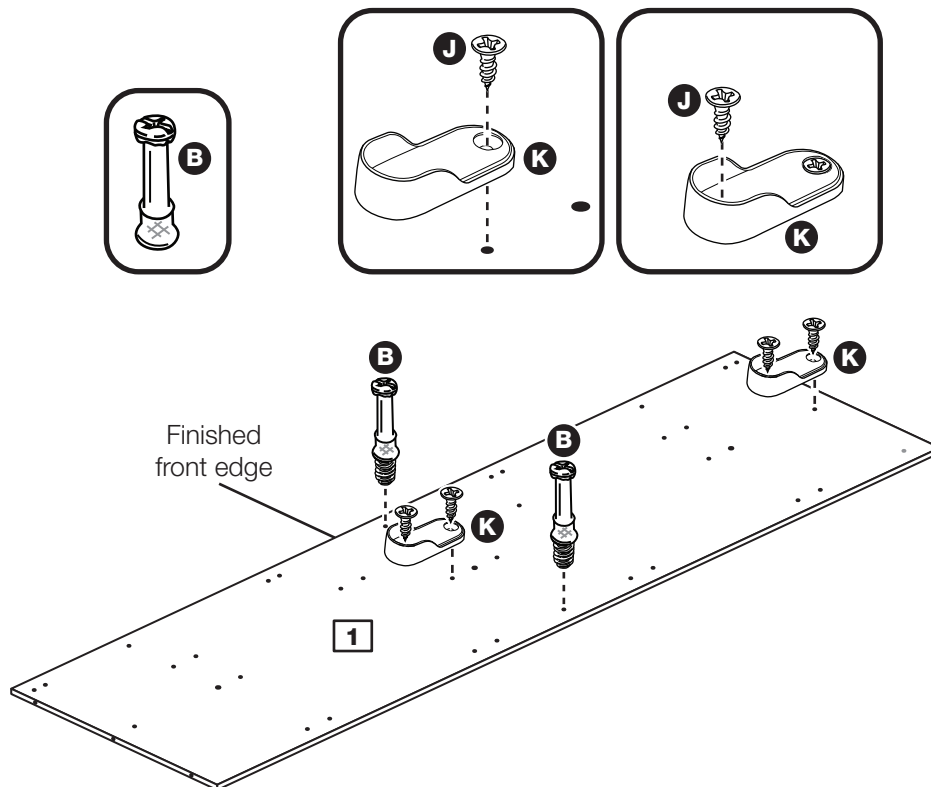
Prepare the left end

Refer to step 1 and, if you have chosen to fit 2 hanging rails, screw 2 metal dowels **B** into the left end **1**.

Note: Tighten the metal dowels up fully against the panels.

To fit the 2 rail holders **K** screw through the top hole with screw **J** and into the shallow mark hole drilled in the left end **1**. Make sure that they are fitted straight, in line with the panel edges and then fit another screw **J** using the lower hole.

ONLY FOLLOW THIS STEP if you have fitted the large fixed shelf in the middle of the upright.

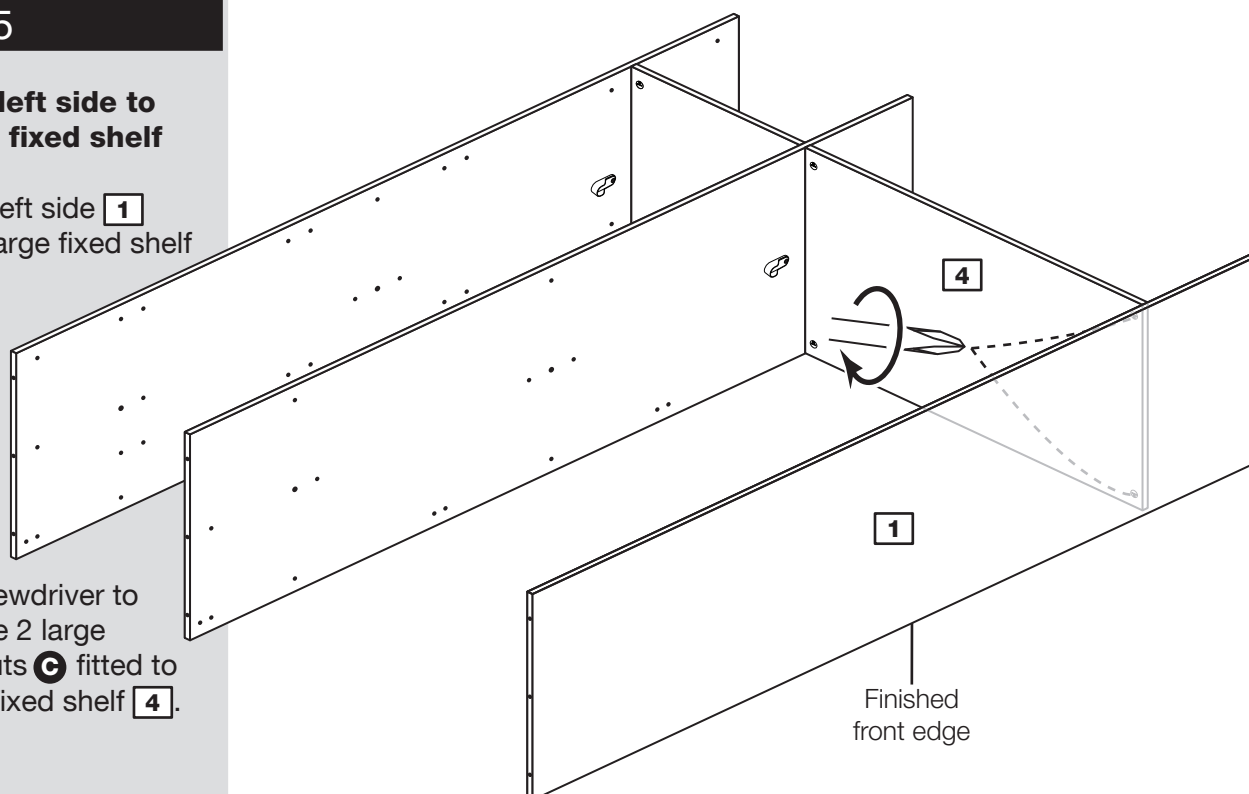


Step 15

Join the left side to the large fixed shelf

Push the left side **1** onto the large fixed shelf **4**.

Use a screwdriver to tighten the 2 large locking nuts **C** fitted to the large fixed shelf **4**.

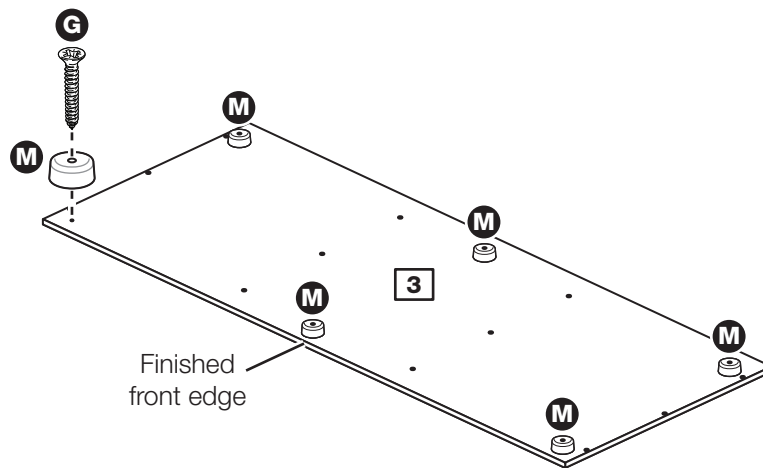


Assembly Instructions

Step 16

Prepare the base

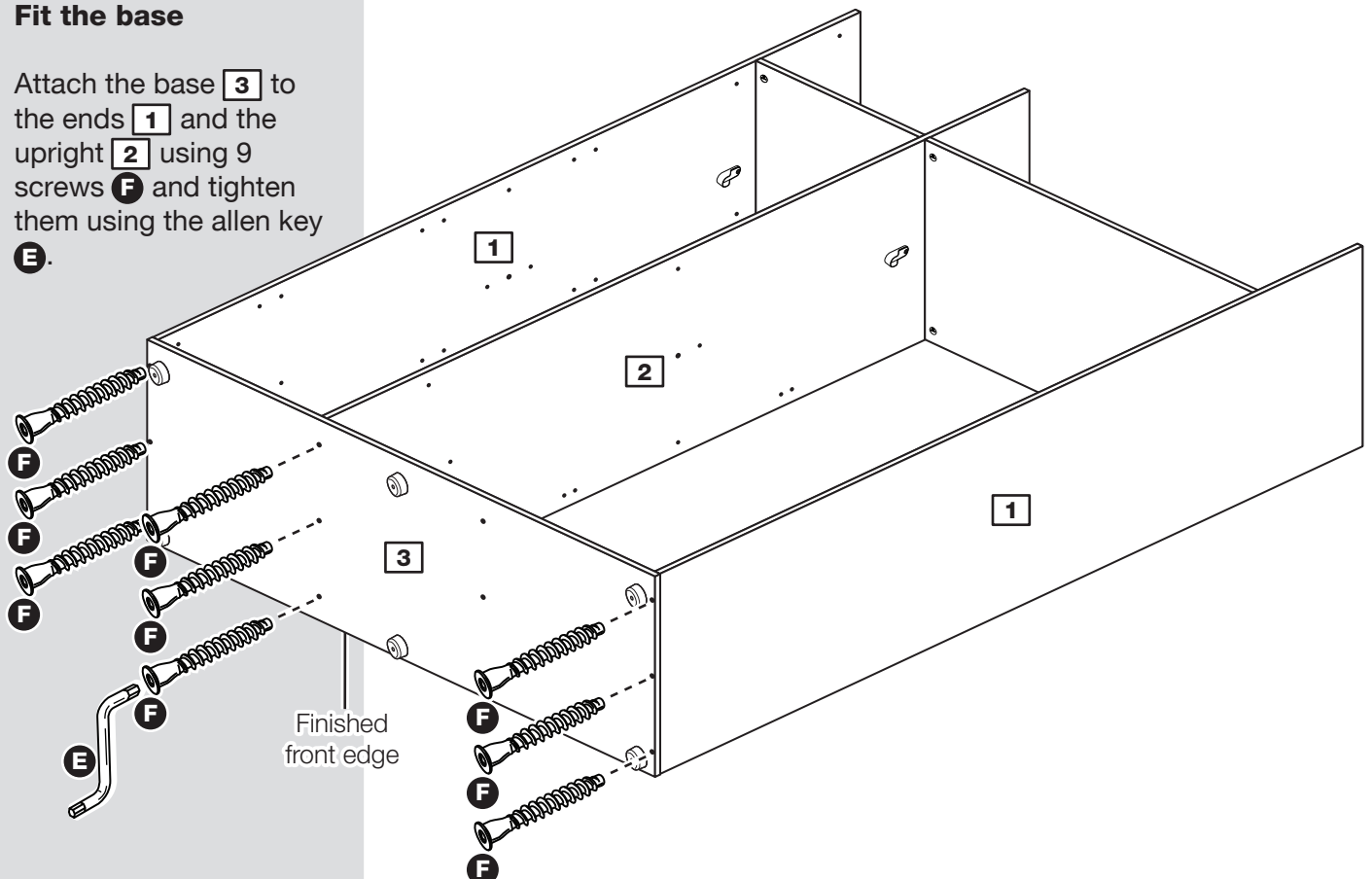
Screw the 6 feet **M** into the shallow mark holes on the base **3** using screws **G**.



Step 17

Fit the base

Attach the base **3** to the ends **1** and the upright **2** using 9 screws **F** and tighten them using the allen key **E**.

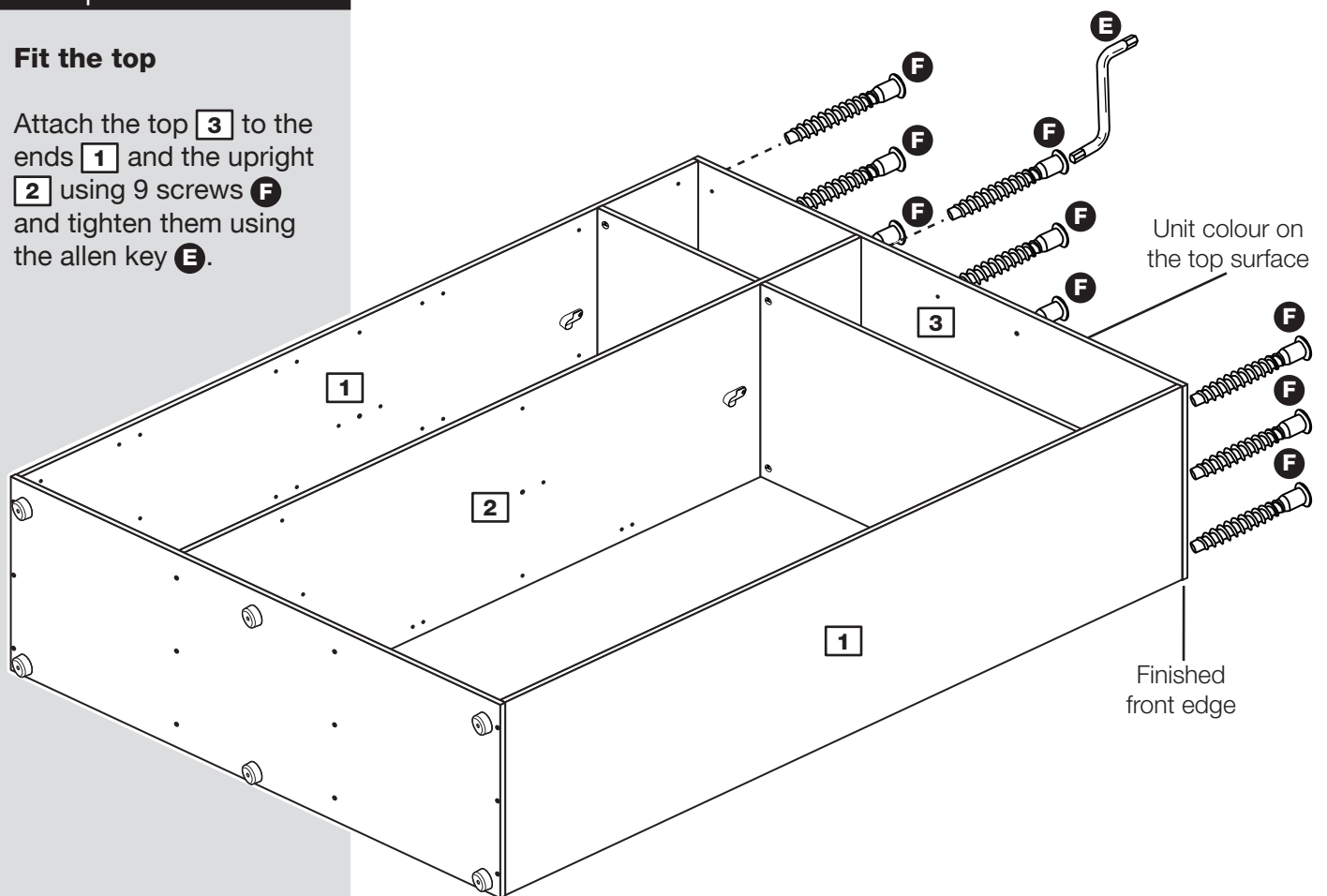


Assembly Instructions

Step 18

Fit the top

Attach the top **3** to the ends **1** and the upright **2** using 9 screws **F** and tighten them using the allen key **E**.



Assembly Instructions

Step 19

Fit the back panels

a: Square up the unit by making sure that the measurement **x:x equals y:y**.

Place the small back **8** and large back **9**, coloured surface facing down, onto the unit as shown.

Make sure that the 2 backs are pushed up tight against each other and that they meet in the centre of the divider's back edge.

b: Nail **D** around the outside edges of the 2 backs.

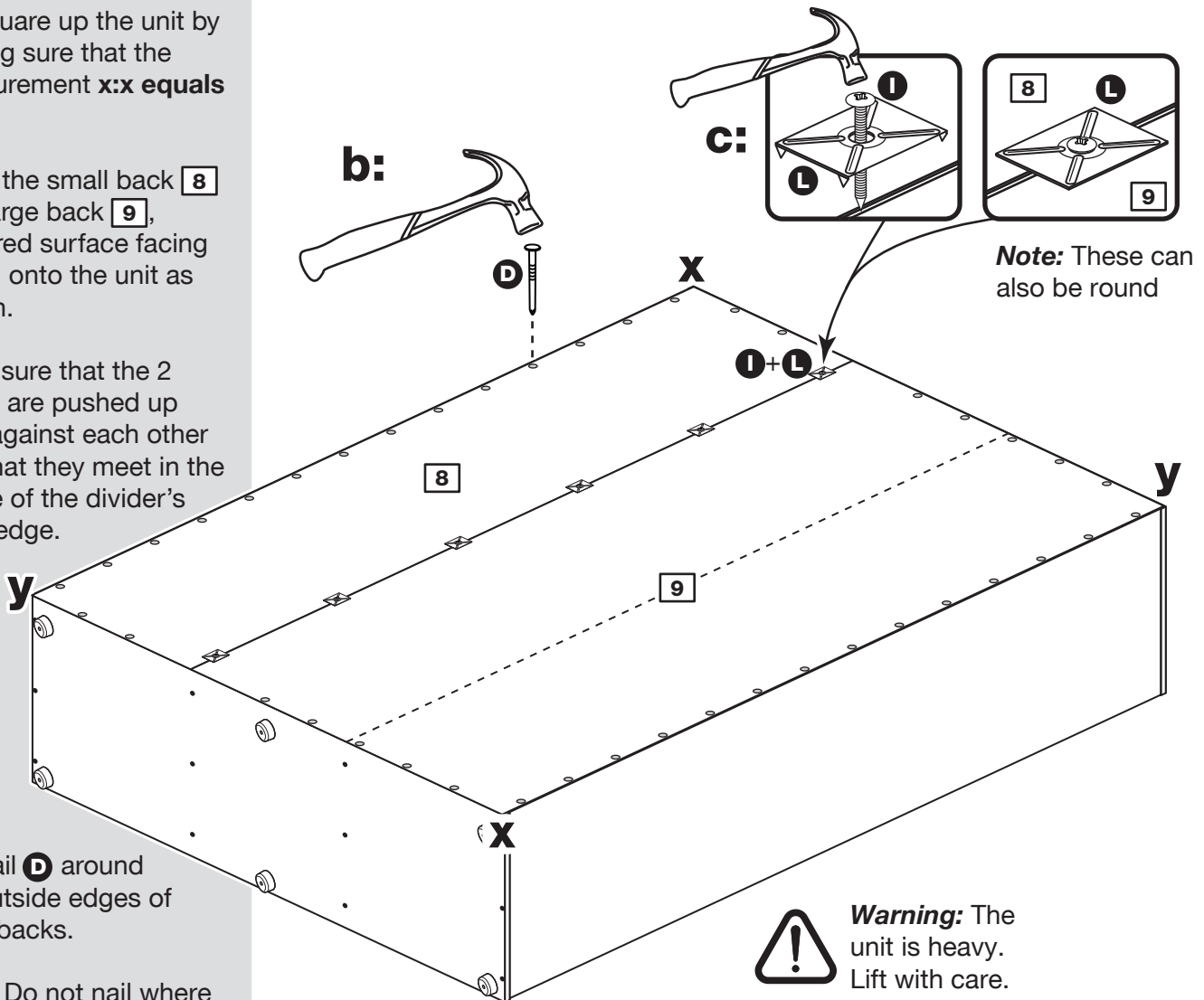
Note: Do not nail where the 2 backs meet.

c: Push the nail screws **I** through the back holders **L** and tap them down between the small back **8** and large back **9** and into the back edge of the upright **2**.

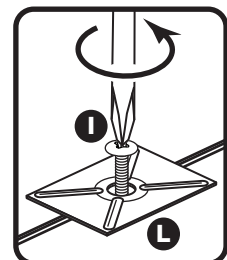
Keep tapping the nail screws **I** in until the back holders **L** dig into the small and large back.

Stand the unit up for the next step.

a: The measurement from top corner X to bottom corner X must be equal to the measurement from top corner Y to bottom corner Y



Note: If ever you need to take the backs off to dismantle the unit, the nail screws can be taken out using a screwdriver.

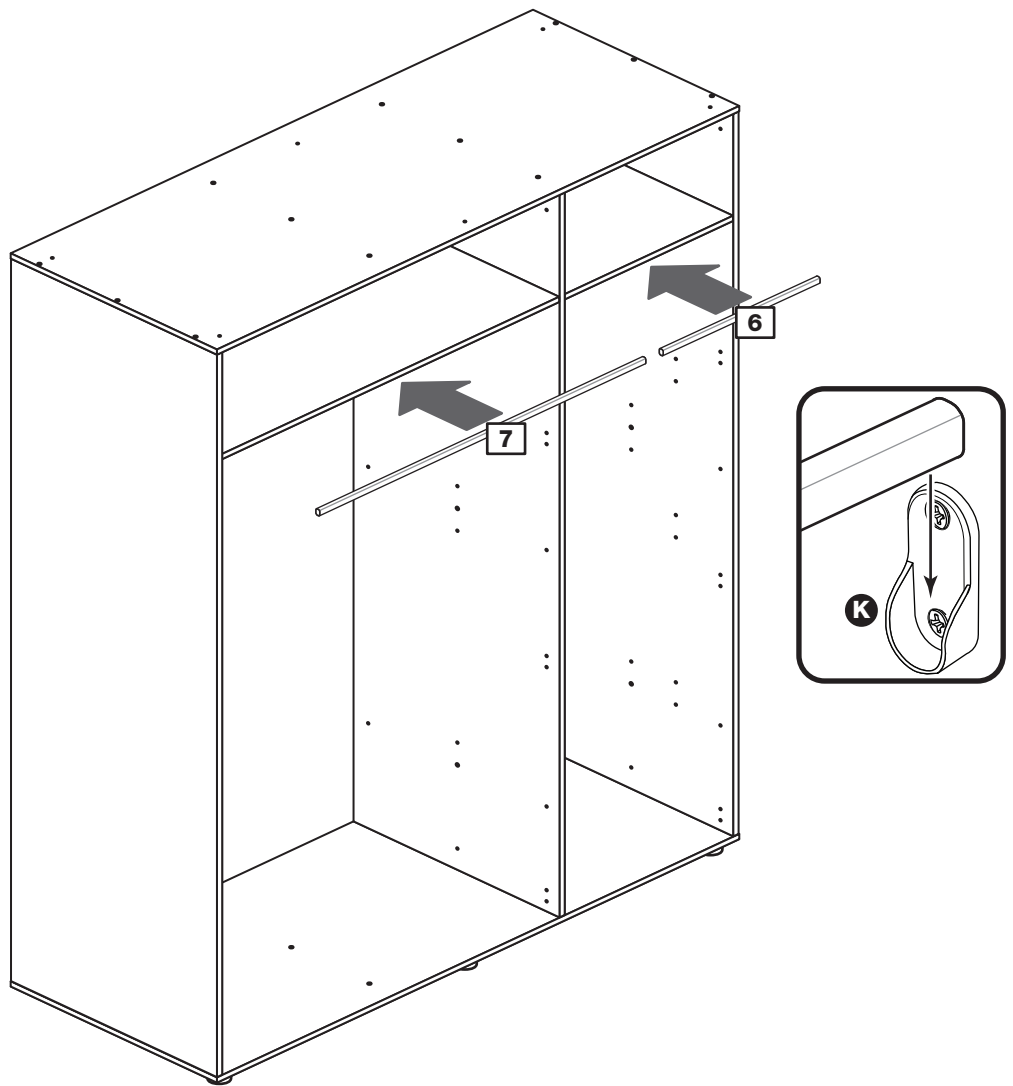


Assembly Instructions

Step 20

Fit the hanging rail(s)

If required, push the hanging rail(s) **6** and **7** into the rail holders **K** fitted to the panels.



Assembly Instructions

Step 21

Fit both of the overbalance protector kits

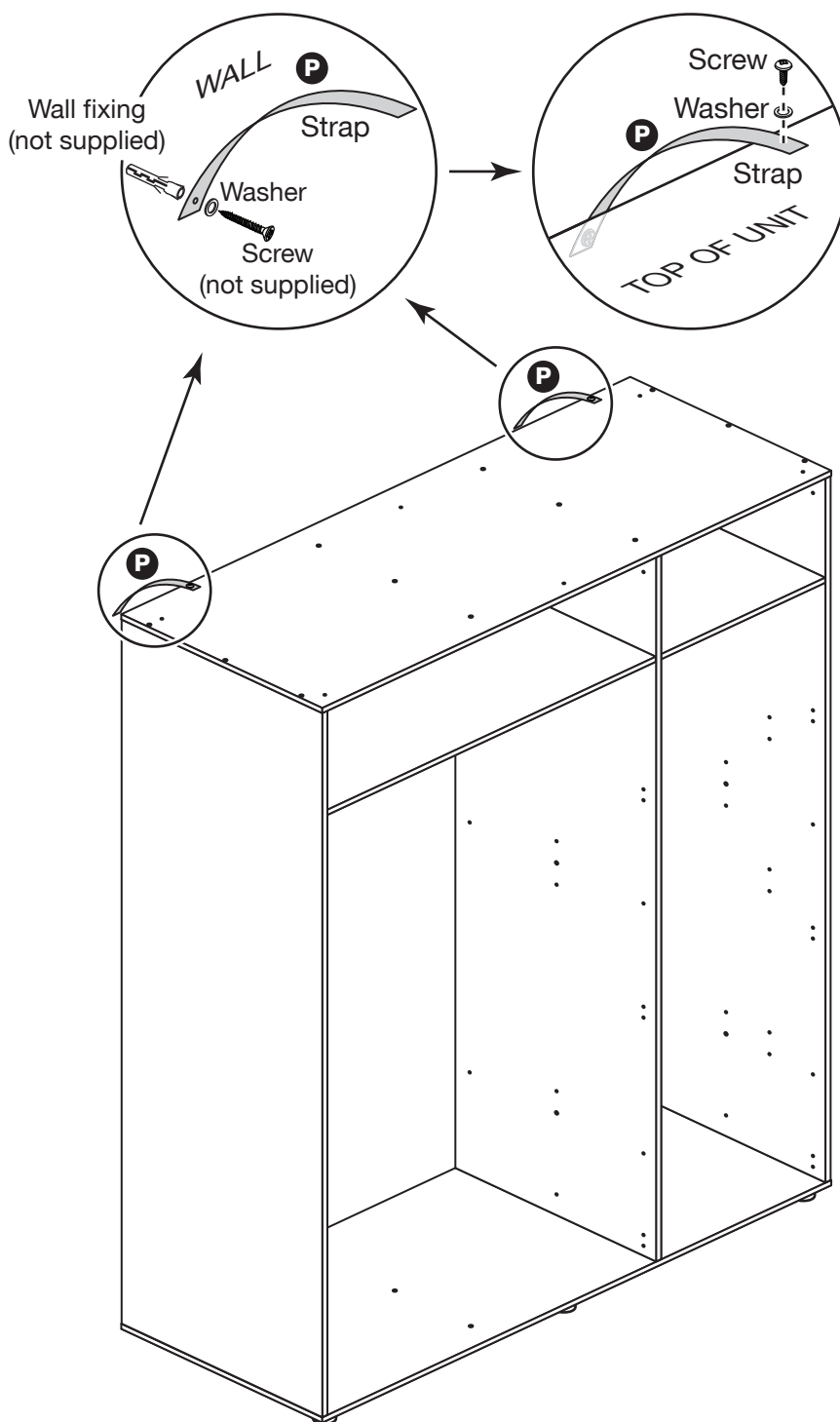
To prevent possible overbalancing we recommend that this unit is secured to a suitable wall by fitting of both of the overbalance protector kits **P** to the unit, or an alternative fixing method of your choice.

Wall fixings are not supplied as they will need to suit the wall type.

Note: Take care when drilling the wall that you do not drill into any pipes, wires etc. If in doubt, consult an expert.

IMPORTANT

This unit **MUST** be fixed to a wall using both of the overbalance protector kits supplied. The unit must be level and square before fitting the overbalance protector kits.



NOTE

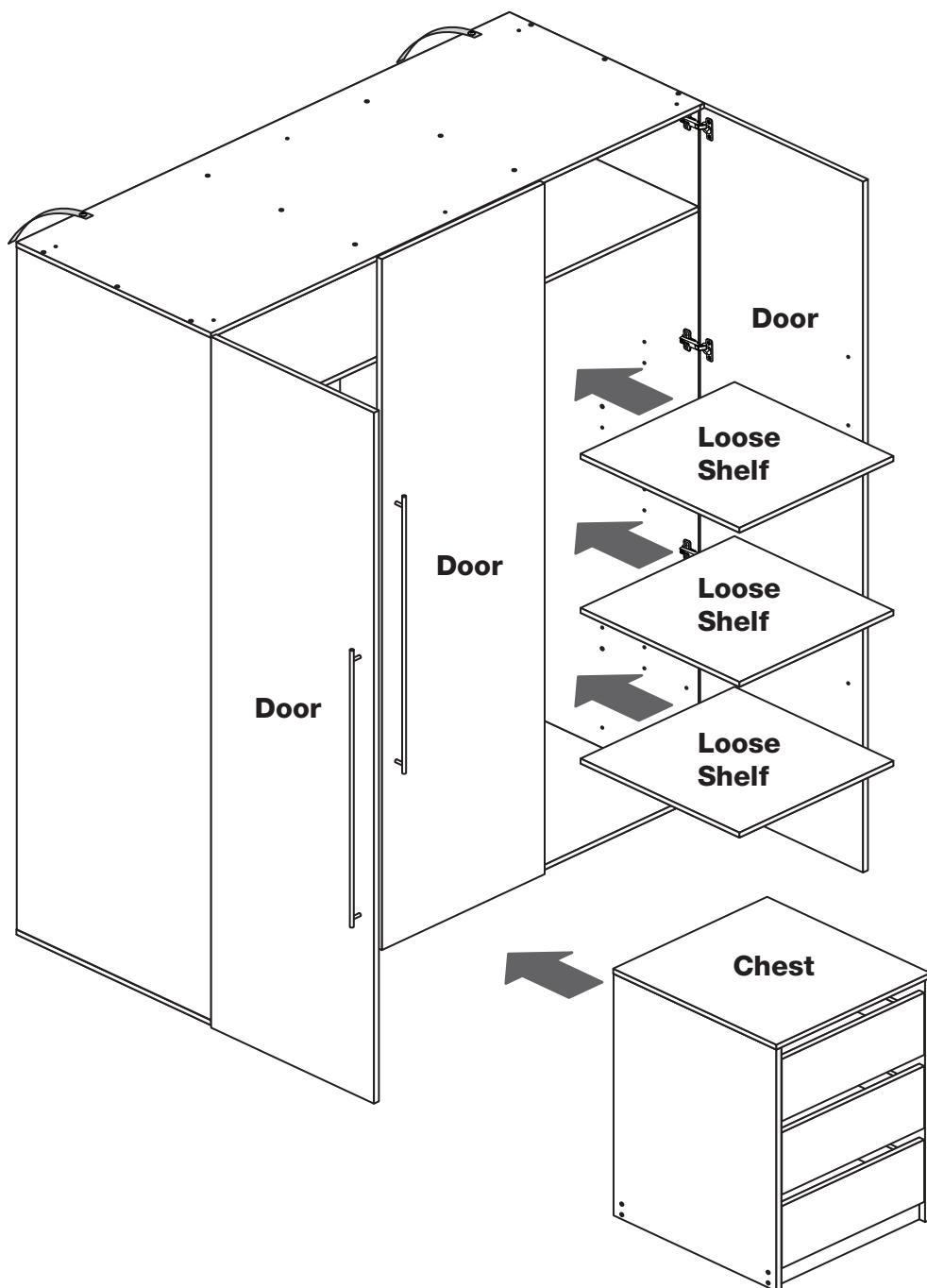
The unused fittings from this assembly are used to fit the doors. Please refer to the instructions packed with the doors.

Assembly Instructions

Step 22

Fit the doors and, if required, the shelf pack and internal chest

Please refer to the instructions packed with the doors, shelf pack or internal chest.



IMPORTANT

The unused fittings from this assembly are used to fit the doors.
Please refer to the instructions packed with the doors.

If you need help or have damaged or missing parts, call the Customer Helpline: 03456 400800
and quote the reference numbers on the component pages.

Argos Ltd, 489-499 Avebury Boulevard, Central Milton Keynes, MK9 2NW

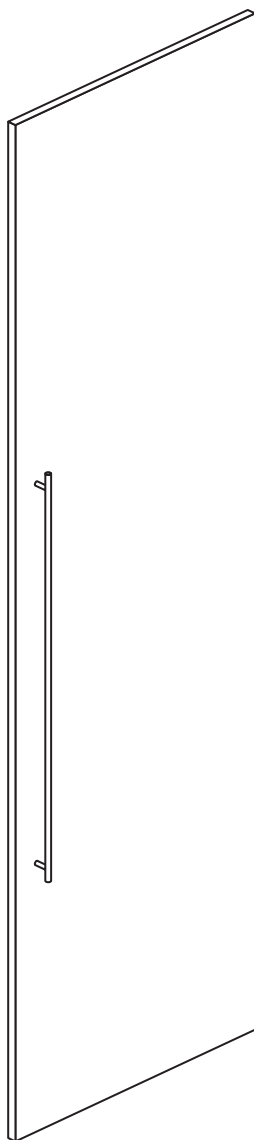
Atlas - Standard Single Door

Assembly Instructions - Please keep for future reference

144/7174

157/8067

157/4085



IMPORTANT

Have you purchased a Single Robe and an Internal 3 Drawer Chest?
The Chest must be placed into the Robe **BEFORE** the Door is fitted.

Dimensions

Width - 49.5cm

Depth - 1.5cm

Height - 210cm



**MADE IN
BRITAIN**

Important - Please read these instructions fully before starting assembly

If you need help or have damaged or missing parts, call the Customer Helpline: 08456 400800



Safety and Care Advice

Important - Please read these instructions fully before starting assembly

- **Warning:** This panel weighs approximately 11kgs. Please lift with care.
- Check you have all the components and tools listed on pages 2 and 3.
- Remove all fittings from the plastic bags and separate them into their groups.
- Keep children and animals away from the work area, small parts could choke if swallowed.
- Parts of the assembly will be easier with 2 people.

- Make sure you have enough space to layout the parts before starting.
- Do not stand or put weight on the product, this could cause damage.
- Assemble the item as close to its final position (in the same room) as possible.
- Assemble on a soft level surface to avoid damaging the unit or your floor (use opened out unit carton).



- We do not recommend the use of power drill/drivers **for inserting screws**, as this could damage the unit. Only use hand screwdrivers.
- **Safety note:** If there is any chance of this unit being pulled over by children etc. it is recommended that the unit is secured to a wall using suitable fixings (not supplied).
- Dispose of all packaging carefully and responsibly.

Care and maintenance

- Only clean using a damp cloth and mild detergent, do not use bleach or abrasive cleaners.
- From time to time check that there are no loose screws on this unit.
- This product should not be discarded with household waste. Take to your local authority waste disposal centre.

Note: If required the next page can be cut out and used as reference throughout the assembly. Keep this page with these instructions for future reference.

Component - Panel

If you have damaged or missing components, call the **Customer Helpline: 08456 400800** quoting the reference numbers below

Please check you have the panel listed below

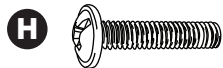


Standard Door (D2398A)
(2100 x 495mm)

Components - Fittings

If you have damaged or missing components, call the **Customer Helpline: 08456 400800** quoting the reference numbers below

These fittings are packed with the Robe Carcass.
The quantities will depend on which robe you have bought.



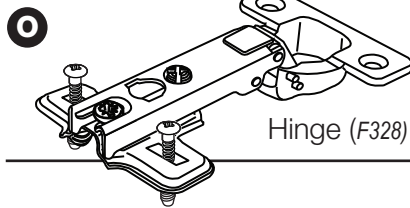
19mm Screw (F461)



13mm Screw (F63)



Handle (F328)



Hinge (F328)



Assembly Instructions

If you have damaged or missing components, call the
Customer Helpline: 08456 400800 quoting the reference
numbers below

Step 1

Have you purchased a Mirror Door?

IMPORTANT

If you have purchased a Mirror Door,
DO NOT follow these instructions.
Please use the instructions packed
with the Mirror Door.

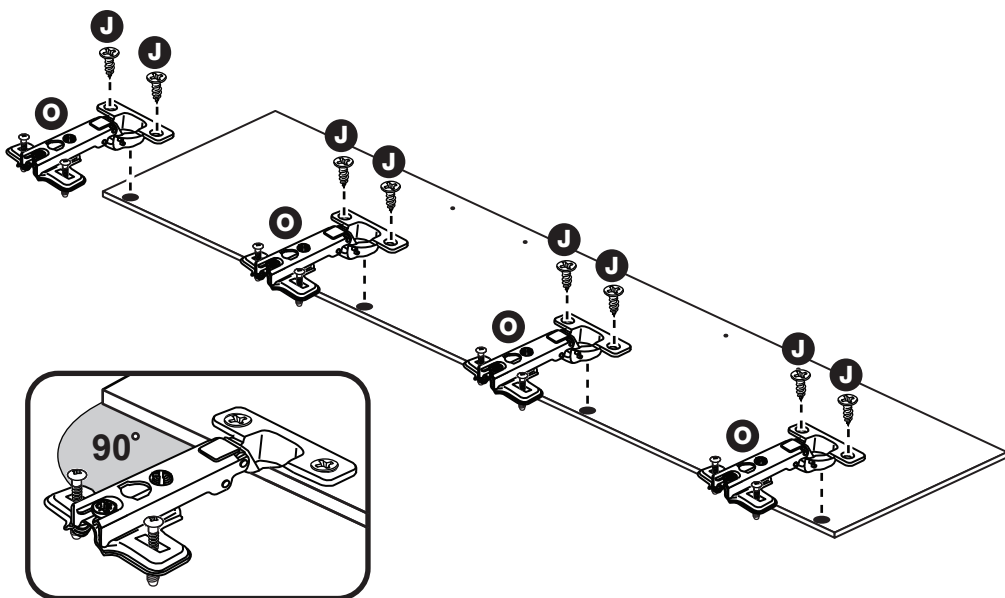
Step 2

Prepare the door(s)

Push fit 4 hinges **O** into each door.

Secure each hinge with 2 screws **J**.

Note: Before securing with the screws, make sure that the hinges are positioned at 90 degrees with the edge of the door.



Assembly Instructions

Step 3

For a door which has a handle on the left, drill these 2 handle holes

Important: Please follow these instructions carefully.

Lay the door down onto a smooth surface.

Check that the hinges and holes are in the same place as the diagram.

Note: We recommend the use of a small piece of waste wood, placed behind the holes while drilling, to reduce the possibility of any breakout.

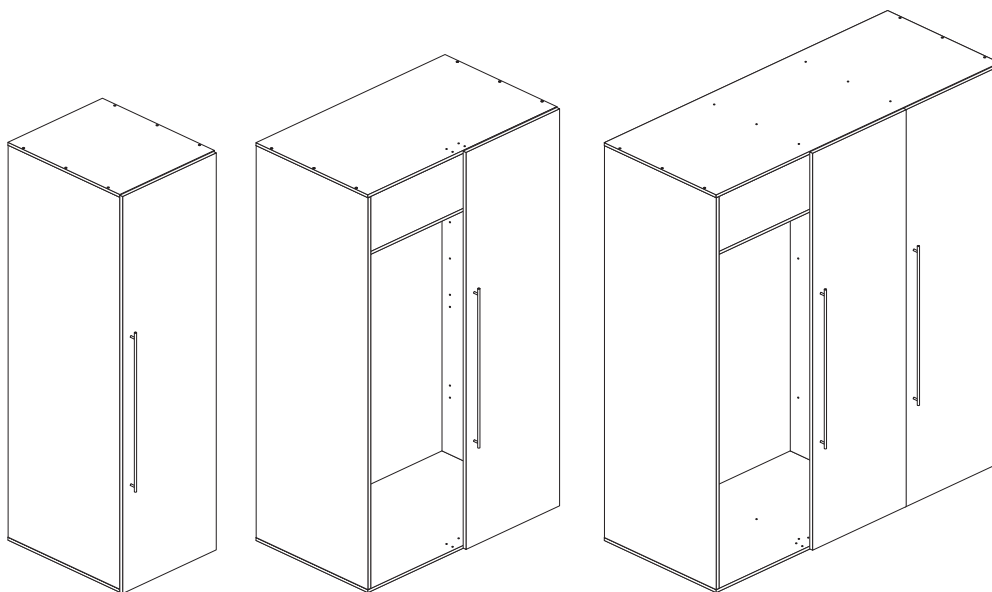
Using the pilot holes in the rear face of the door, drill through the 2 holes indicated opposite, using a 2.5mm diameter drill.

Turn the door over and open out the 2.5mm holes that you have just drilled by drilling back through them with a 5mm drill.

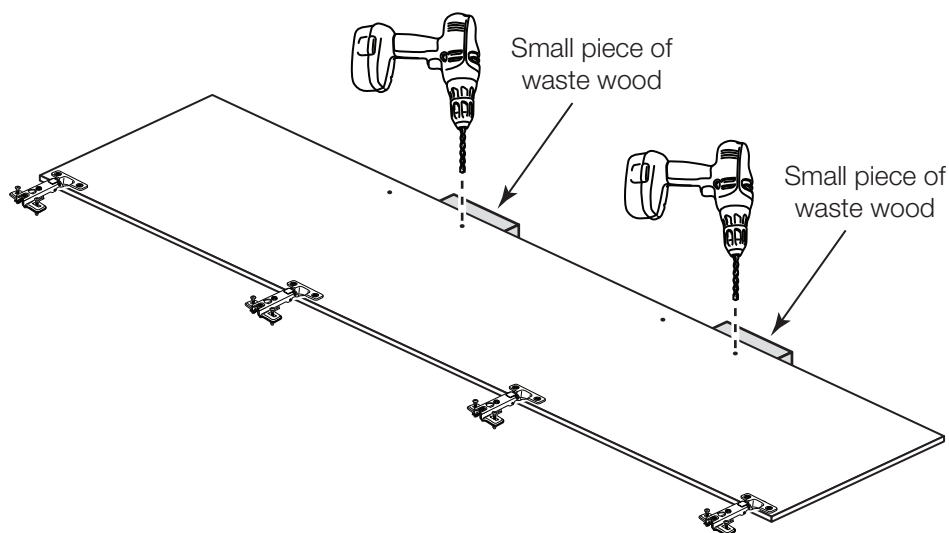
IMPORTANT

This step shows which handle holes to drill for doors that have their handles on the LEFT, as shown below.

Go to Step 4 for how to drill a door with its handle on the RIGHT.



ONLY drill these 2 holes



Assembly Instructions

Step 4

For a door which has a handle on the right, drill these 2 handle holes

Important: Please follow these instructions carefully.

Lay the door down onto a smooth surface.

Check that the hinges and holes are in the same place as the diagram.

Note: We recommend the use of a small piece of waste wood, placed behind the holes while drilling, to reduce the possibility of any breakout.

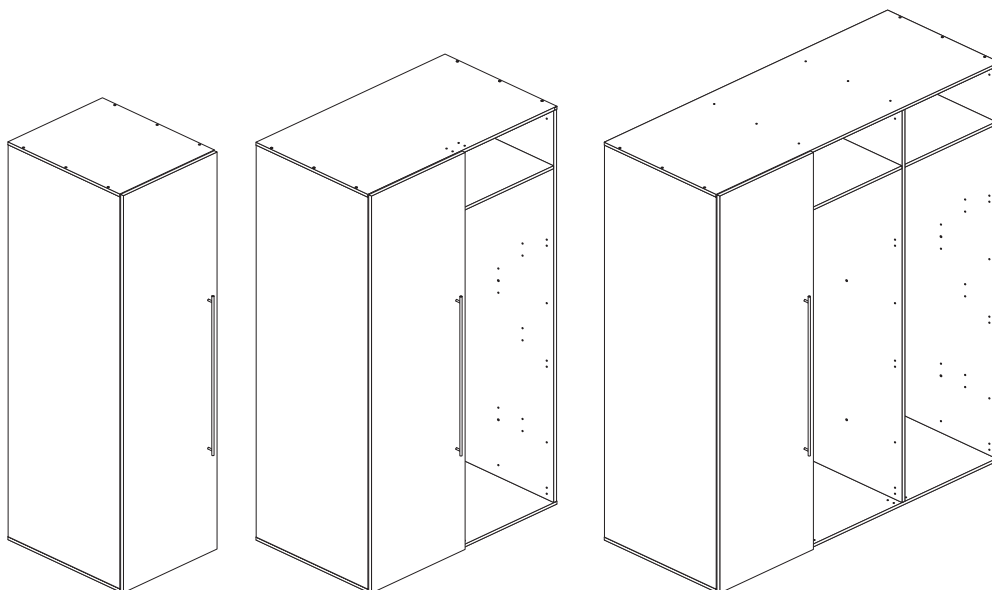
Using the pilot holes in the rear face of the door, drill through the 2 holes indicated opposite, using a 2.5mm diameter drill.

Turn the door over and open out the 2.5mm holes that you have just drilled by drilling back through them with a 5mm drill.

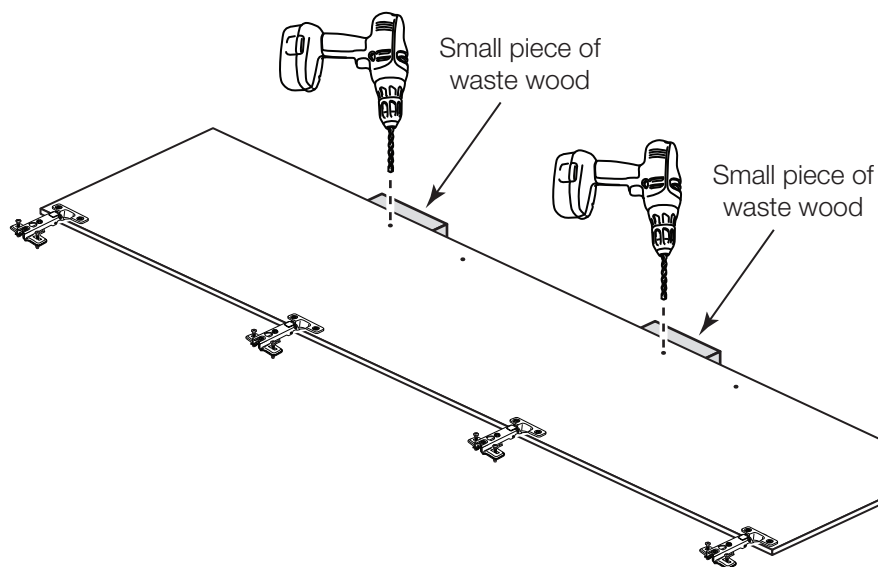
IMPORTANT

This step shows which handle holes to drill for doors that have their handles on the RIGHT, as shown below.

Go to Step 3 for how to drill a door with its handle on the LEFT.



ONLY drill these 2 holes



Assembly Instructions

Step 5

Fit the door(s) and the handle(s)

2 people are needed here

Make sure that the door is the correct way around. The bottom hole on the back surface of the door will be one of holes that you have drilled.

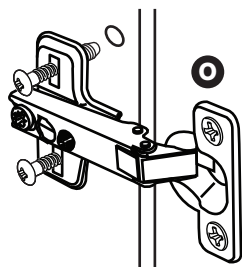
Line up the 2 screws in the top hinge **O** with the 2 holes at the top of the panel and push them in.

Working down the door, push in the other hinges.

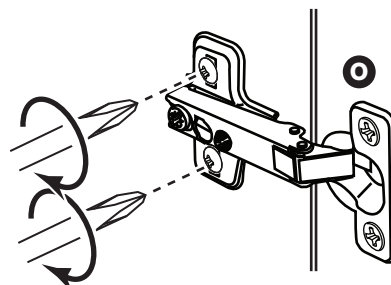
When all of the hinges have been pushed into place, tighten the 2 screws on each hinge.

Attach a handle **N** to the door using 2 screws **H**.

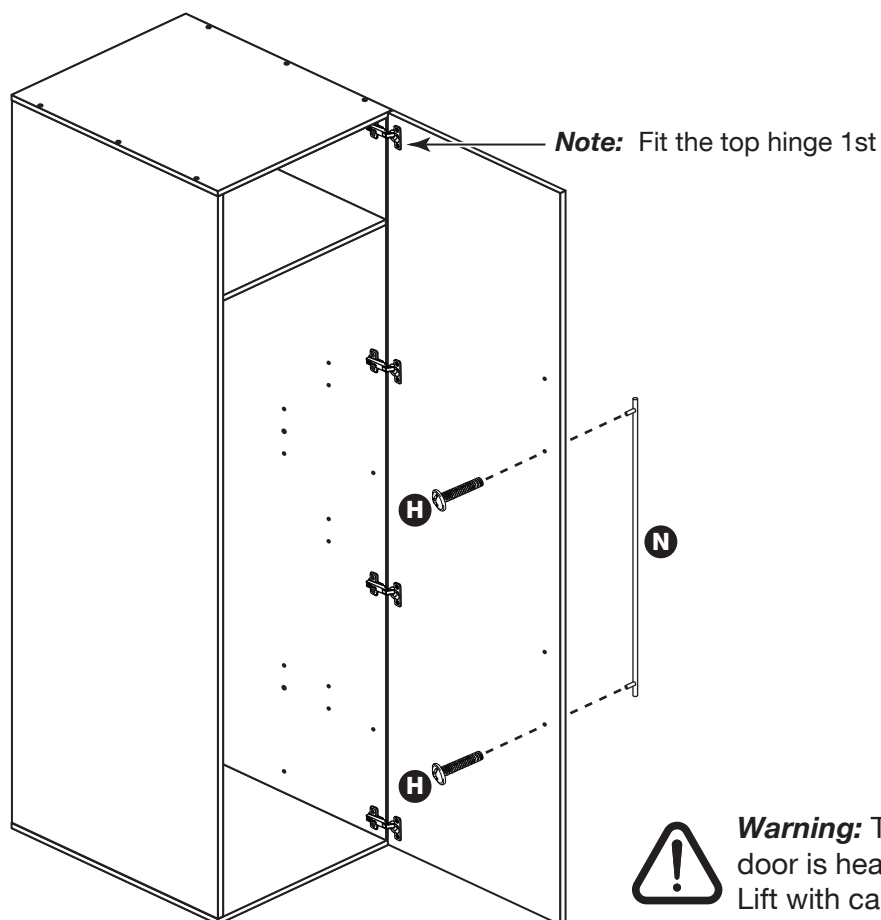
Press the screws into the holes in the panels



When the hinges have been pushed in, tighten up their screws



This shows a door being fitted onto the right side of a single robe. The same assembly method applies to all doors and robes.



Warning: The door is heavy. Lift with care.

Assembly Instructions

Step 6

Adjust the door if needed

a: Before adjusting the door, use a spirit level to check the top (or base) of the unit is level, front-to-back and side-to-side in the 3 positions shown. Use suitable packing pieces (not supplied) to make the unit level BEFORE making any adjustment to the hinges, as shown.

b: Height adjustment.

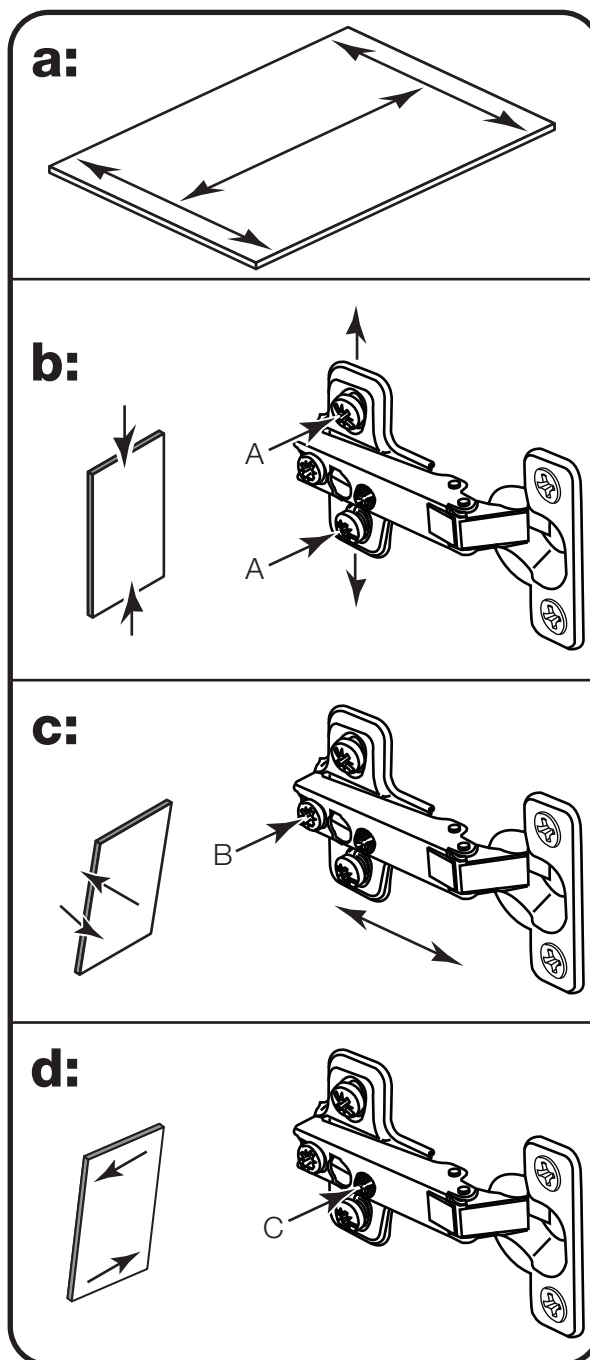
Loosen screws A on hinge plates and move door up or down as required. Retighten screw A.

c: Forward and Back adjustment.

Loosen screw B on hinge plate and move door in or out as required. Retighten screw B.

d: Sideways adjustment.

To move door 'out' loosen screw C. To move door 'in' tighten screw C.



If you need help or have damaged or missing parts, call the Customer Helpline: 08456 400800 and quote the reference numbers on the component pages.

Argos Ltd, 489-499 Avebury Boulevard, Central Milton Keynes, MK9 2NW

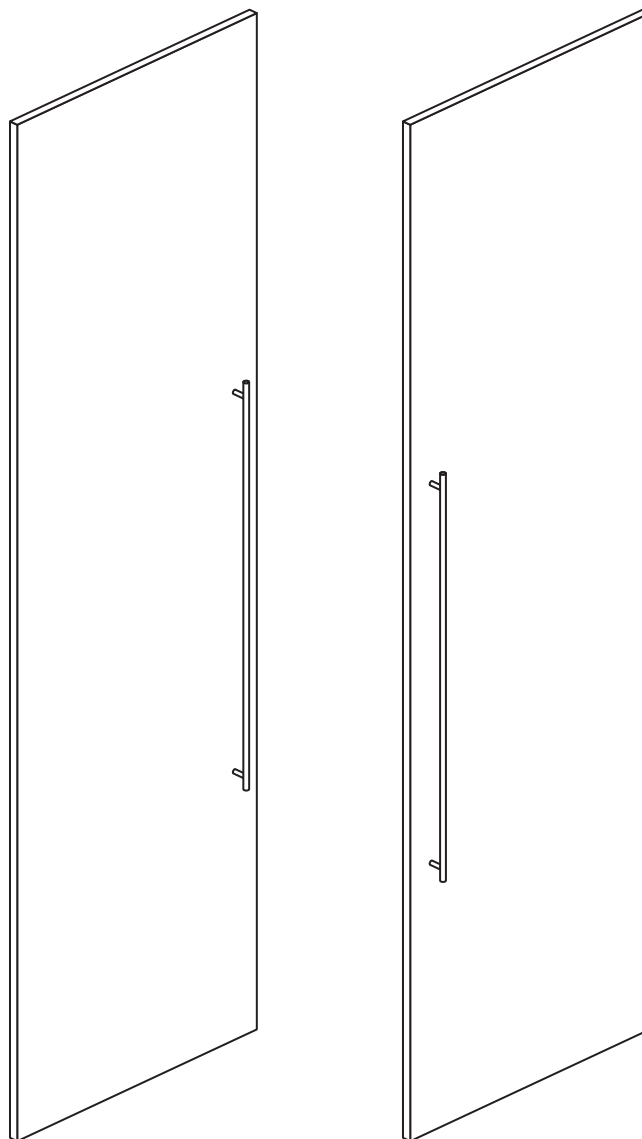
Atlas - Standard Double Door

Assembly Instructions - Please keep for future reference

151/7396

157/2063

157/7240



Dimensions for each door

Width - 49.5cm

Depth - 1.5cm

Height - 210cm



**MADE IN
BRITAIN**

Important - Please read these instructions fully before starting assembly

If you need help or have damaged or missing parts, call the **Customer Helpline: 08456 400800**



Safety and Care Advice

Important - Please read these instructions fully before starting assembly

- **Warning:** These panels weigh approximately 22kgs. Please lift with care.

- Check you have all the components and tools listed on pages 2 and 3.

- Remove all fittings from the plastic bags and separate them into their groups.

- Keep children and animals away from the work area, small parts could choke if swallowed.

- Parts of the assembly will be easier with 2 people.

- Make sure you have enough space to layout the parts before starting.

- Do not stand or put weight on the product, this could cause damage.

- Assemble the item as close to its final position (in the same room) as possible.

- Assemble on a soft level surface to avoid damaging the unit or your floor (use opened out unit carton).



- We do not recommend the use of power drill/drivers **for inserting screws**, as this could damage the unit. Only use hand screwdrivers.

- **Safety note:** If there is any chance of this unit being pulled over by children etc. it is recommended that the unit is secured to a wall using suitable fixings (not supplied).

- Dispose of all packaging carefully and responsibly.

Care and maintenance

- Only clean using a damp cloth and mild detergent, do not use bleach or abrasive cleaners.

- From time to time check that there are no loose screws on this unit.

- This product should not be discarded with household waste. Take to your local authority waste disposal centre.

Note: If required the next page can be cut out and used as reference throughout the assembly. Keep this page with these instructions for future reference.

Component - Panel

If you have damaged or missing components, call the **Customer Helpline: 08456 400800** quoting the reference numbers below

Please check you have the panel listed below

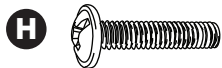


Standard Door (D2398A)
(2100 x 495mm) x 2

Components - Fittings

If you have damaged or missing components, call the **Customer Helpline: 08456 400800** quoting the reference numbers below

These fittings are packed with the Robe Carcass.
The quantities will depend on which robe you have bought.

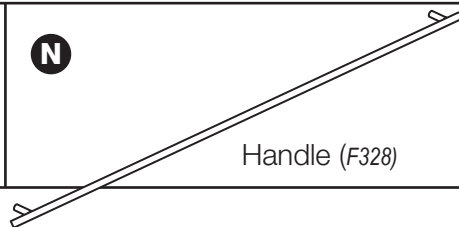


H 19mm Screw (F461)



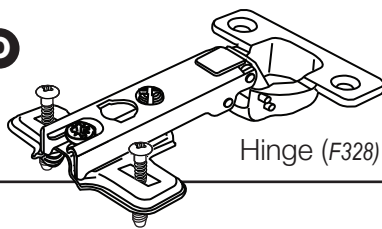
J 13mm Screw (F63)

N



Handle (F328)

O



Hinge (F328)



Assembly Instructions

If you have damaged or missing components, call the
Customer Helpline: 08456 400800 quoting the reference
numbers below

Step 1

**Have you purchased a
Mirror Door?**

IMPORTANT

If you have purchased a Mirror Door,
DO NOT follow these instructions.
Please use the instructions packed
with the Mirror Door.

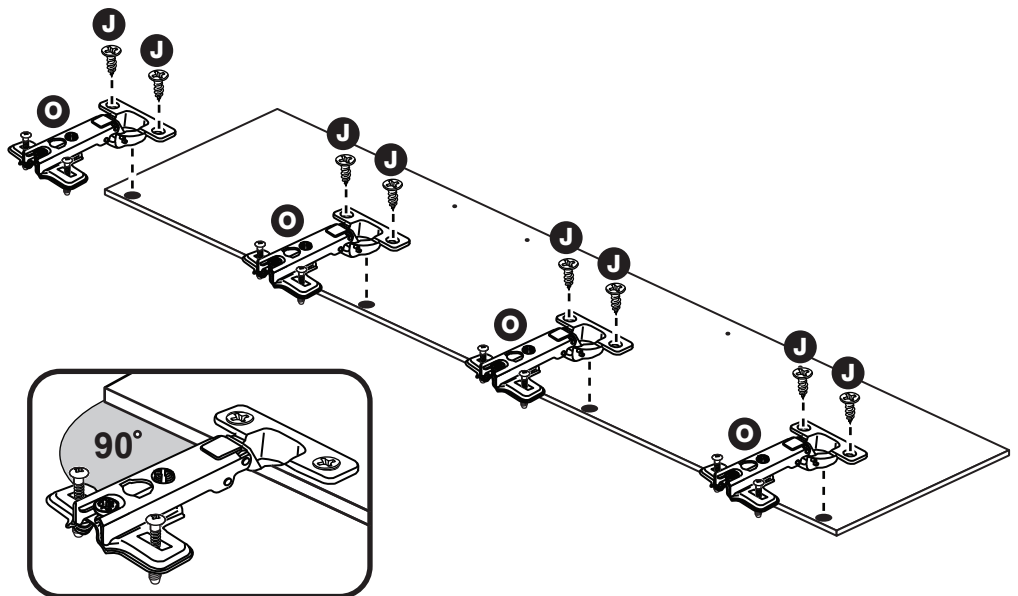
Step 2

Prepare the doors

Push fit 4 hinges **O** into
each door.

Secure each hinge with
2 screws **J**.

Note: Before securing
with the screws, make
sure that the hinges are
positioned at 90 degrees
with the edge of the
door.



Assembly Instructions

Step 3

For a door which has a handle on the left, drill these 2 handle holes

Important: Please follow these instructions carefully.

Lay the door down onto a smooth surface.

Check that the hinges and holes are in the same place as the diagram.

Note: We recommend the use of a small piece of waste wood, placed behind the holes while drilling, to reduce the possibility of any breakout.

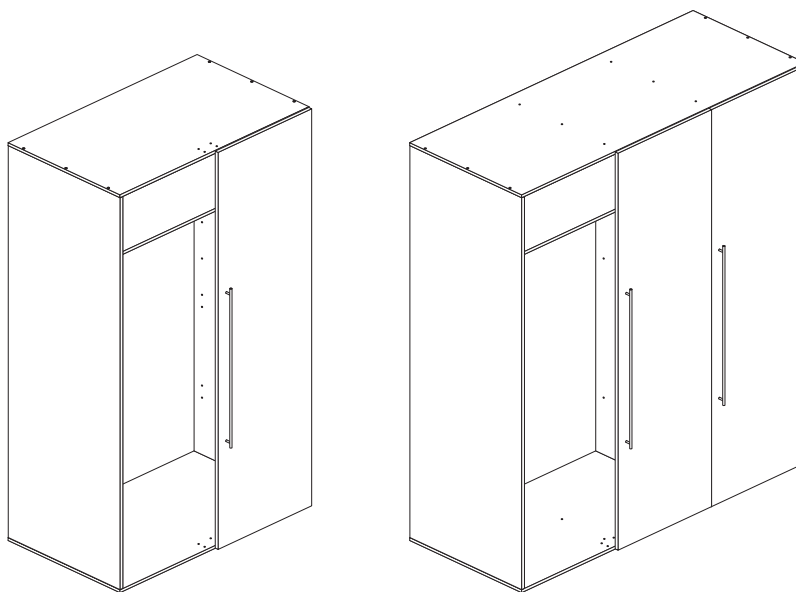
Using the pilot holes in the rear face of the door, drill through the 2 holes indicated opposite, using a 2.5mm diameter drill.

Turn the door over and open out the 2.5mm holes that you have just drilled by drilling back through them with a 5mm drill.

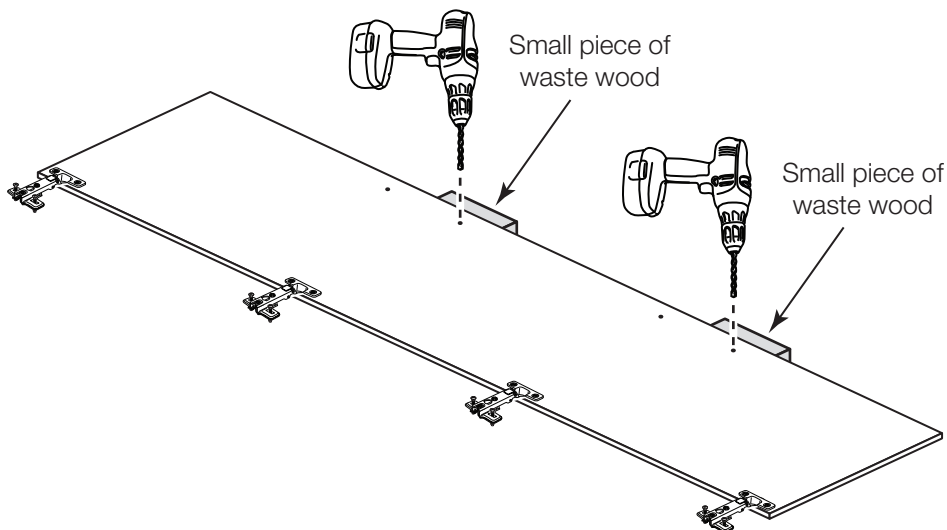
IMPORTANT

This step shows which handle holes to drill for doors that have their handles on the LEFT, as shown below.

Go to Step 4 for how to drill a door with its handle on the RIGHT.



ONLY drill these 2 holes



Assembly Instructions

Step 4

For a door which has a handle on the right, drill these 2 handle holes

Important: Please follow these instructions carefully.

Lay the door down onto a smooth surface.

Check that the hinges and holes are in the same place as the diagram.

Note: We recommend the use of a small piece of waste wood, placed behind the holes while drilling, to reduce the possibility of any breakout.

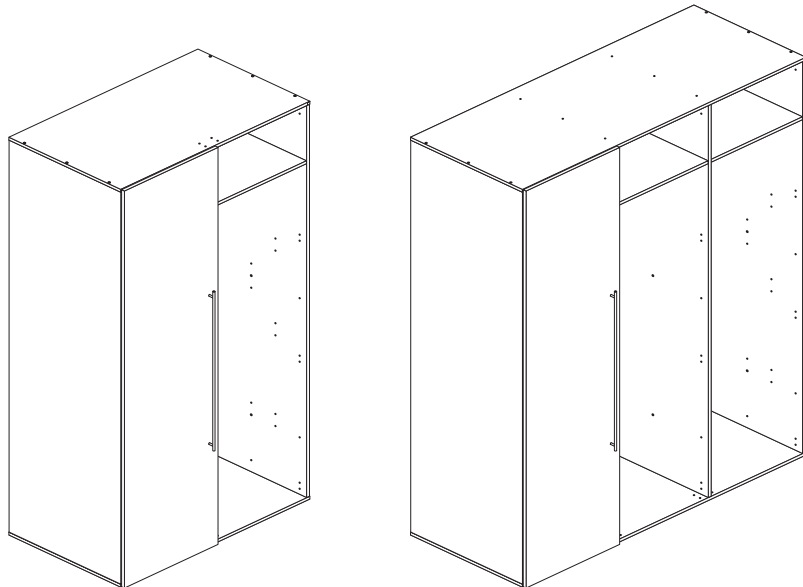
Using the pilot holes in the rear face of the door, drill through the 2 holes indicated opposite, using a 2.5mm diameter drill.

Turn the door over and open out the 2.5mm holes that you have just drilled by drilling back through them with a 5mm drill.

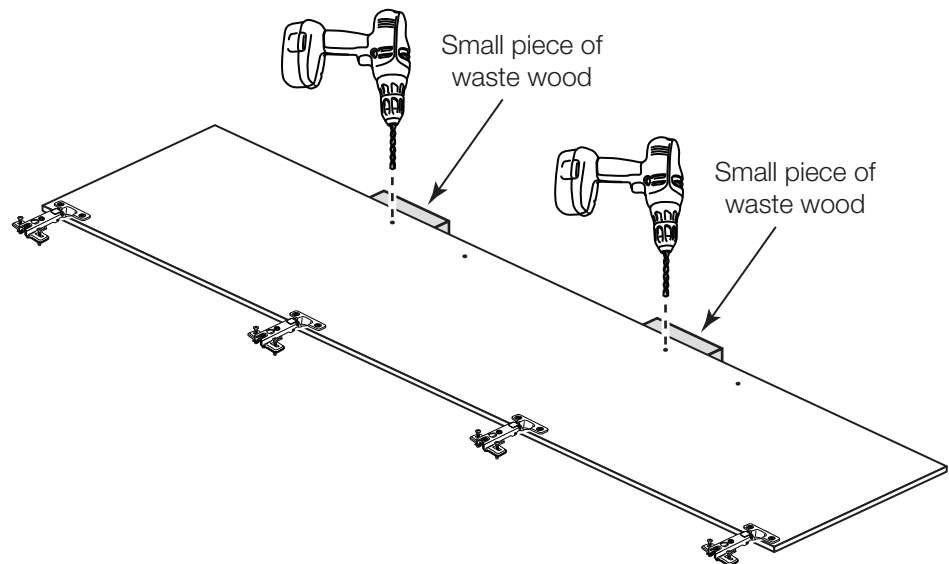
IMPORTANT

This step shows which handle holes to drill for doors that have their handles on the RIGHT, as shown below.

Go to Step 3 for how to drill a door with its handle on the LEFT.



ONLY drill these 2 holes



Assembly Instructions

Step 5

Fit the doors and the handles

2 people are needed here

Make sure that the doors are the correct way around. The bottom hole on the back surface of the door will be one of holes that you have drilled.

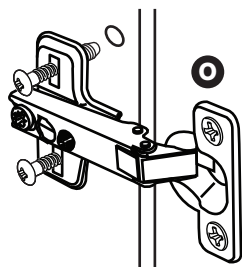
Line up the 2 screws in the top hinge **O** with the 2 holes at the top of the panel and push them in.

Working down the door, push in the other hinges.

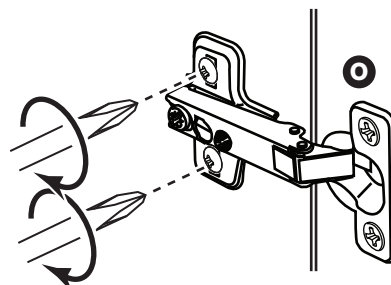
When all of the hinges have been pushed into place, tighten the 2 screws on each hinge.

Attach a handle **N** to each door using 2 screws **H**.

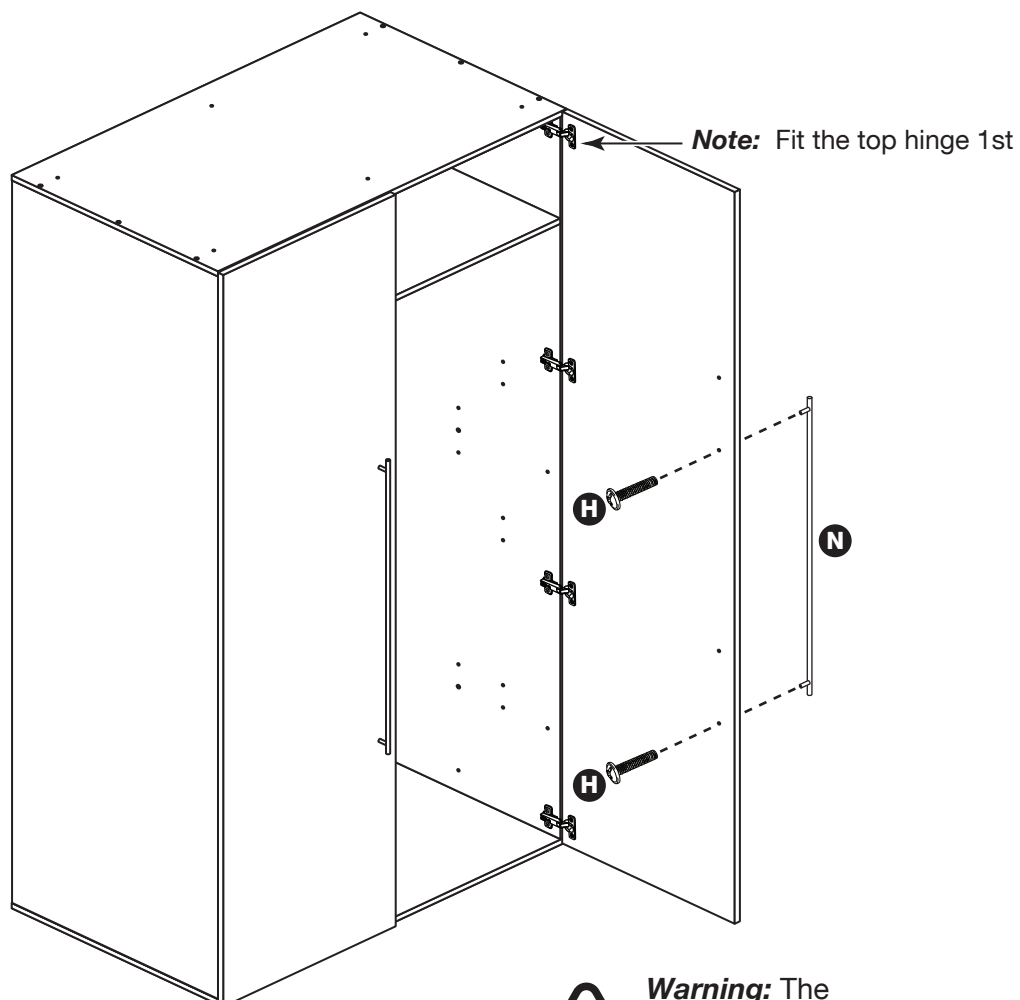
Press the screws into the holes in the panels



When the hinges have been pushed in, tighten up their screws



This shows a door being fitted onto the right side of a double robe. The same assembly method applies to all doors and robes.



Warning: The door is heavy. Lift with care.

Assembly Instructions

Step 6

Adjust the doors if needed

a: Before adjusting the doors, use a spirit level to check the base (or top) of the unit is level, front-to-back and side-to-side in the 3 positions shown. Use suitable packing pieces (not supplied) to make the unit level BEFORE making any adjustment to the hinges, as shown.

b: Height adjustment.

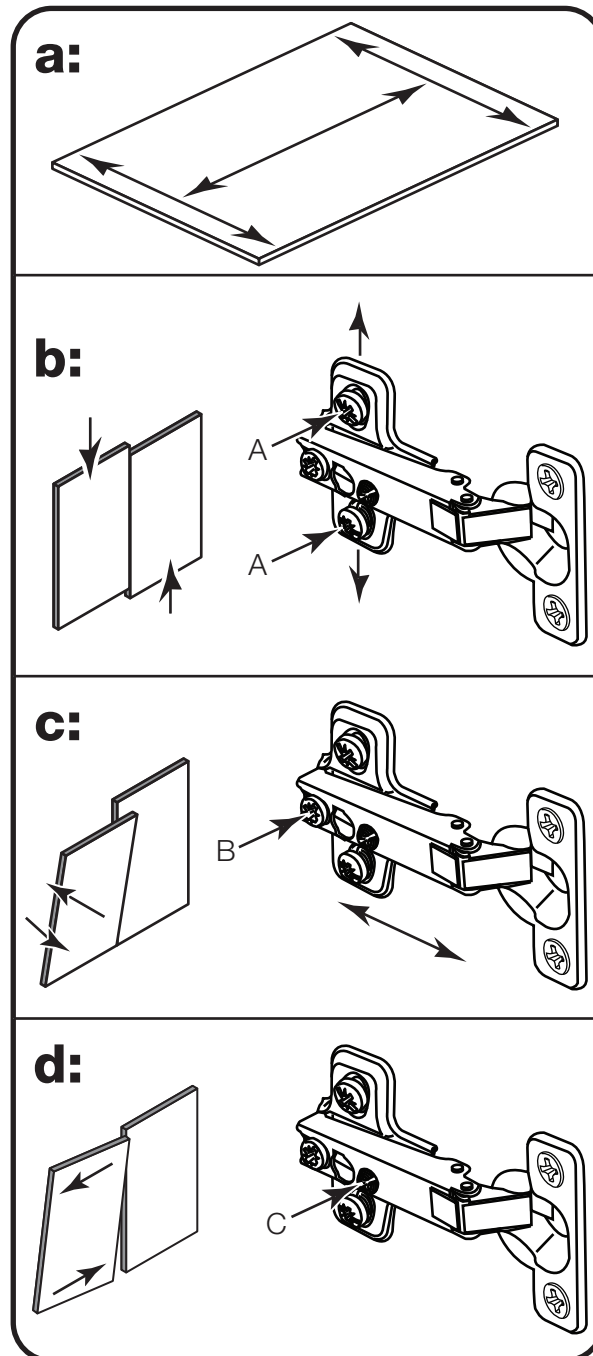
Loosen screws A on hinge plates and move door up or down as required. Retighten screw A.

c: Forward and Back adjustment.

Loosen screw B on hinge plate and move door in or out as required. Retighten screw B.

d: Sideways adjustment.

To move door 'out' loosen screw C. To move door 'in' tighten screw C.



If you need help or have damaged or missing parts, call the Customer Helpline: 08456 400800 and quote the reference numbers on the component pages.

Argos Ltd, 489-499 Avebury Boulevard, Central Milton Keynes, MK9 2NW