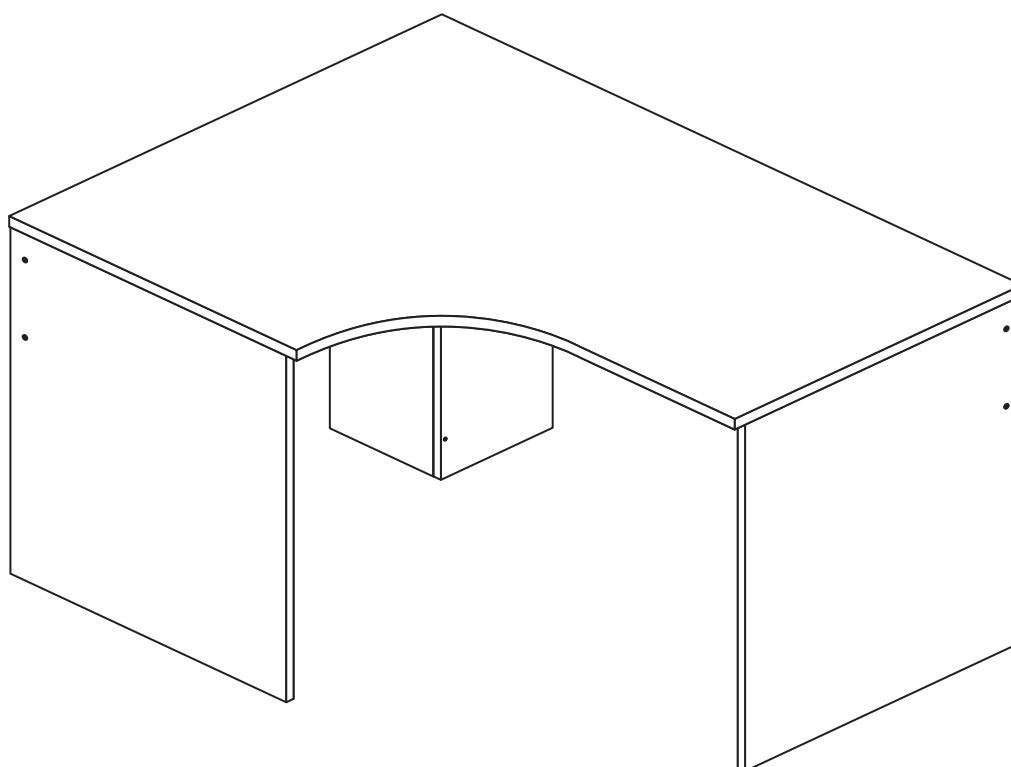


Walton - Corner Desk

Assembly Instructions - Please keep for future reference

162/8405



Dimensions

Width - 120cm

Depth - 89.5cm

Height - 74cm



**MADE IN
BRITAIN**

Important - Please read these instructions fully before starting assembly

If you need help or have damaged or missing parts, call the **Customer Helpline: 08456 400800**



Safety and Care Advice

Important - Please read these instructions fully before starting assembly

- **Warning:** This unit weighs approximately 29kgs. Please lift with care.

- Check you have all the components and tools listed on pages 2 and 3.

- Remove all fittings from the plastic bags and separate them into their groups.

- Keep children and animals away from the work area, small parts could choke if swallowed.

- Parts of the assembly will be easier with 2 people.

- Make sure you have enough space to layout the parts before starting.

- Do not stand or put weight on the product, this could cause damage.

- Assemble the item as close to its final position (in the same room) as possible.

- Assemble on a soft level surface to avoid damaging the unit or your floor (use opened out unit carton).



- We do not recommend the use of power drill/drivers **for inserting screws**, as this could damage the unit. Only use hand screwdrivers.

- **Safety note:** If there is any chance of this unit being pulled over by children etc. it is recommended that the unit is secured to a wall using suitable fixings (not supplied).

- Dispose of all packaging carefully and responsibly.

Care and maintenance

- Only clean using a damp cloth and mild detergent, do not use bleach or abrasive cleaners.

- From time to time check that there are no loose screws on this unit.

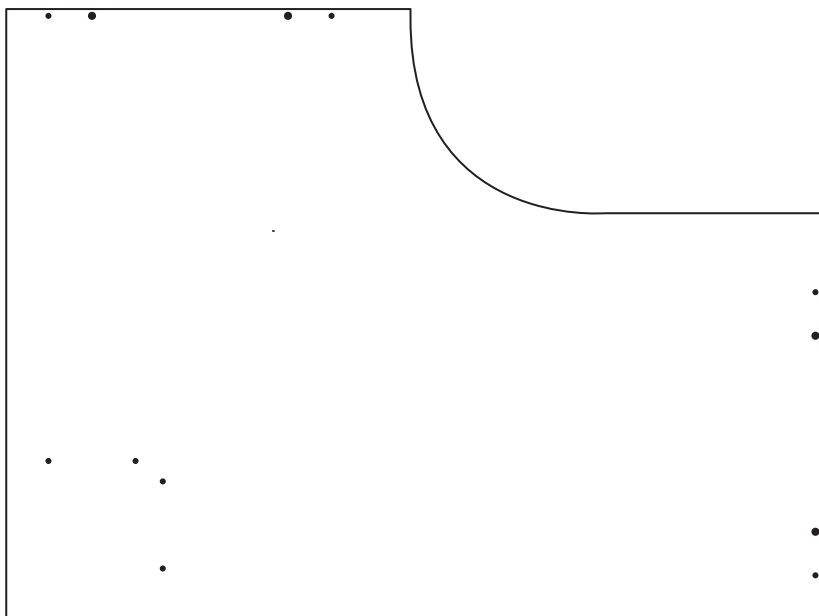
- This product should not be discarded with household waste. Take to your local authority waste disposal centre.

Note: If required the next page can be cut out and used as reference throughout the assembly. Keep this page with these instructions for future reference.

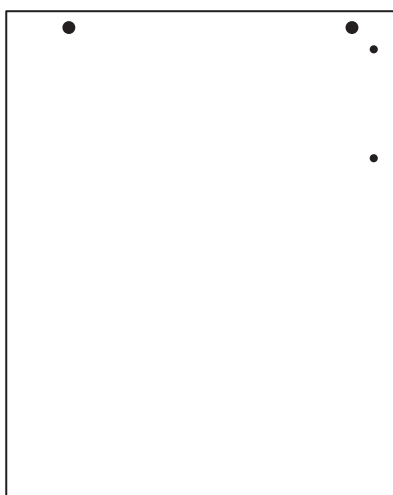
Components - Panels

If you have damaged or missing components, call the **Customer Helpline: 08456 400800** quoting the reference numbers below

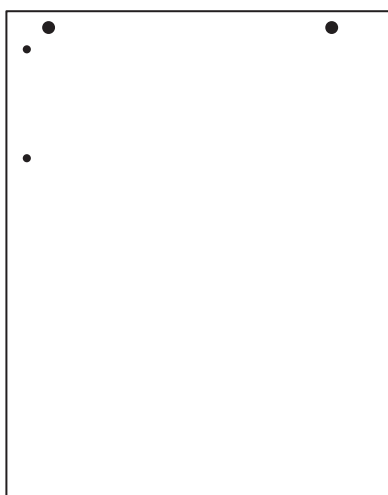
Please check you have all the panels listed below



1 Top (D1413A)
(1199 x 894mm)



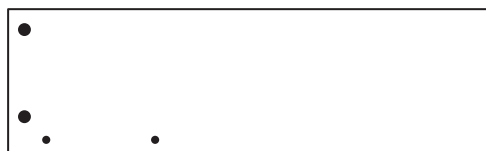
2 Left Side (D1414A)
(718 x 570mm)



3 Right Side (D1415A)
(718 x 570mm)



4 Return Leg (D1417A)
(718 x 231mm)



5 Leg (D1416A)
(718 x 214mm)



6 Large Modesty (D1418A)
(944.5 x 239mm)



7 Small Modesty (D1419A)
(639.5 x 239mm)


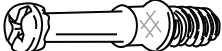



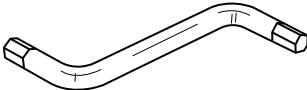


Components - Fittings

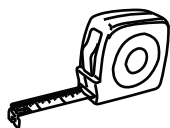
If you have damaged or missing components, call the **Customer Helpline: 08456 400800** quoting the reference numbers below

Please check you have all the fittings listed below

Note: The quantities below are the correct amount to complete the assembly. In some cases more fittings may be supplied than are required.

<p>A </p> <p>Wooden dowel (F22) x 4</p>	<p>B </p> <p>Metal dowel (F901) x 8</p>	<p>C </p> <p>Large locking nut (F900) x 8</p>
<p>D </p> <p>50mm Screw (F49) x 8</p>	<p>E </p> <p>45mm Screw (F65) x 2</p>	<p>F </p> <p>Allen Key (F36) x 1</p>

Tools required



Rule



Cross-head screwdriver



Scissors



Hammer

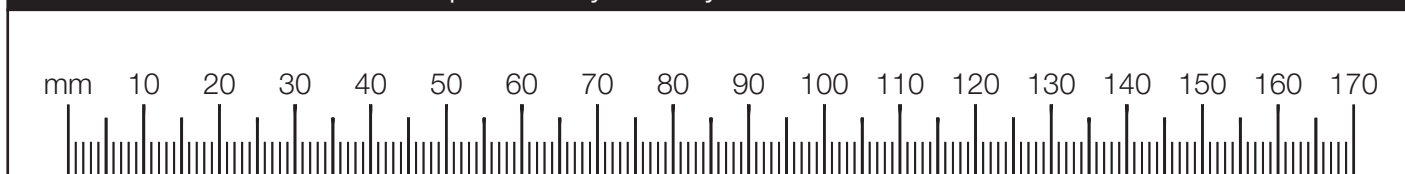


Eye protection (when using a hammer or drill)



Electric drill (do not use for fitting screws)

Ruler - Use this ruler to help correctly identify the screws



Assembly Instructions

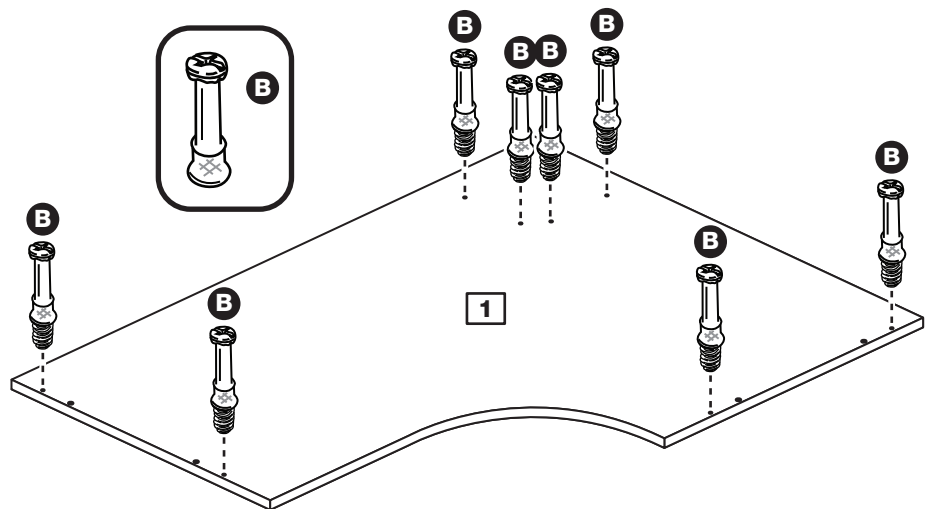
If you have damaged or missing components, call the
Customer Helpline: 08456 400800 quoting the reference
numbers below

Step 1

Prepare the top

Screw 8 metal dowels **B** into the top **1**.

Note: Tighten the metal dowels up fully against the panels.

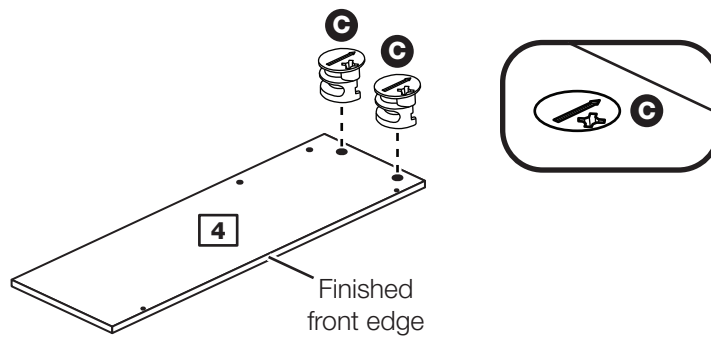


Step 2

Prepare the return leg

Insert 2 large locking nuts **C** into the return leg **4**.

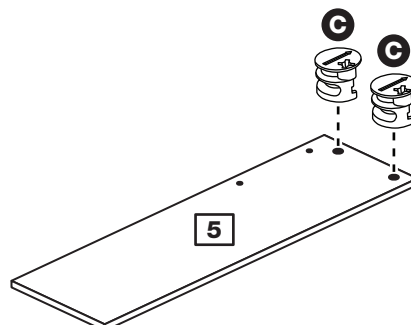
Note: The arrow on the locking nut **must** point towards the hole in the edge of the panel.



Step 3

Prepare the leg

Insert 2 large locking nuts **C** into the leg **5**.



Assembly Instructions

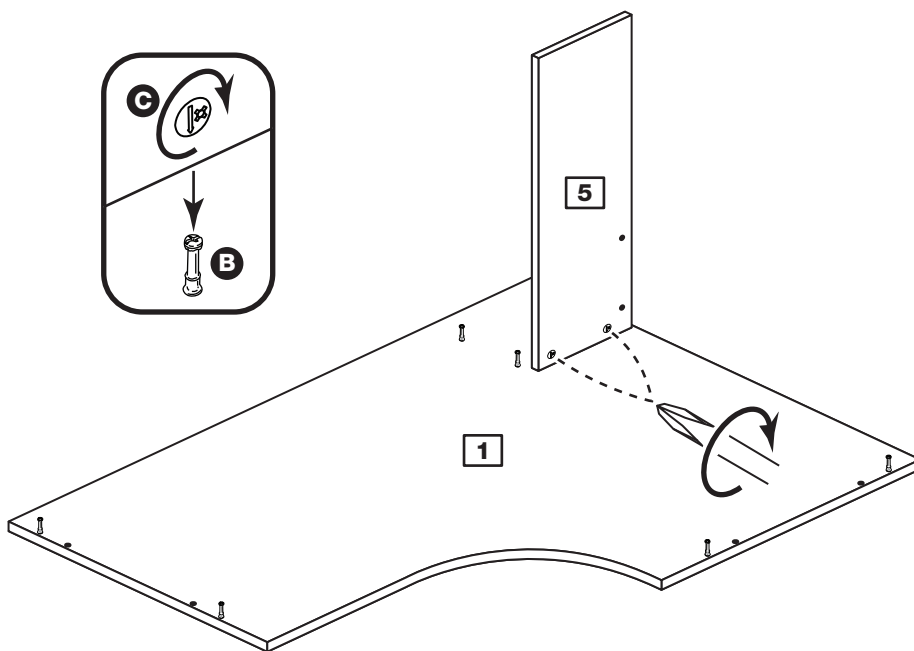
Step 4

Fit the leg to the top

Push the leg **5** onto the top **1**.

Use a screwdriver to tighten the 2 large locking nuts **C** fitted to the leg **5**.

Note: Turn the large locking nuts **C** as far as they will go - more than 1/2 a turn.

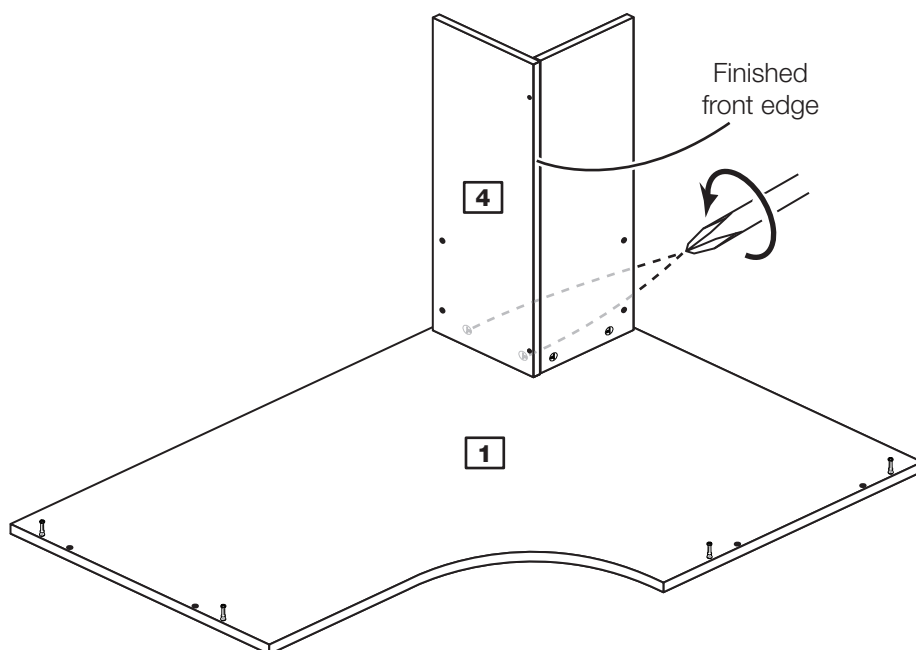


Step 5

Fit the return leg

Push the return leg **4** onto the top **1**.

Use a screwdriver to tighten the 2 large locking nuts **C** fitted to the return leg **4**.



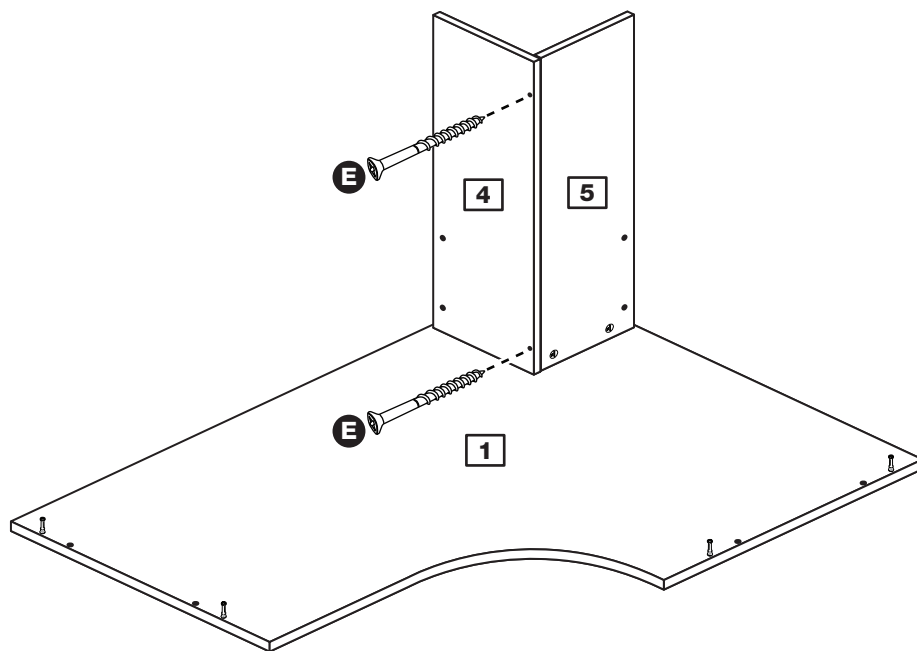
Assembly Instructions

Step 6

Secure the leg to the return leg

Secure the return leg **4** to the leg **5** using 2 screws **E**.

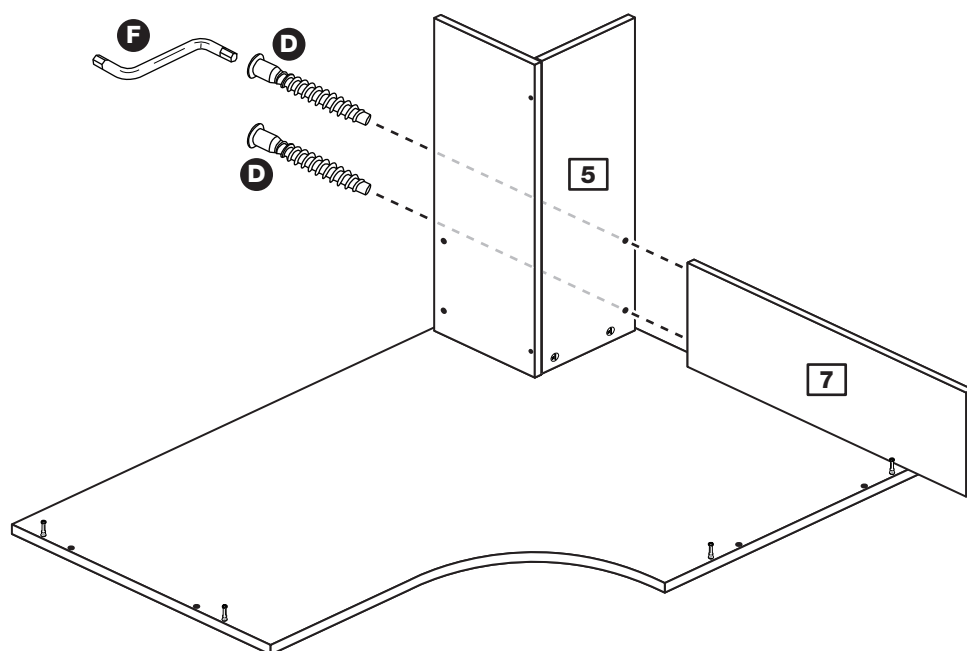
Note: Make sure that the leg is straight and in line with the return leg.



Step 7

Fit the small modesty

Push the small modesty **7** against the leg **5** and secure it using 2 screws **D** and the allen key **F**.

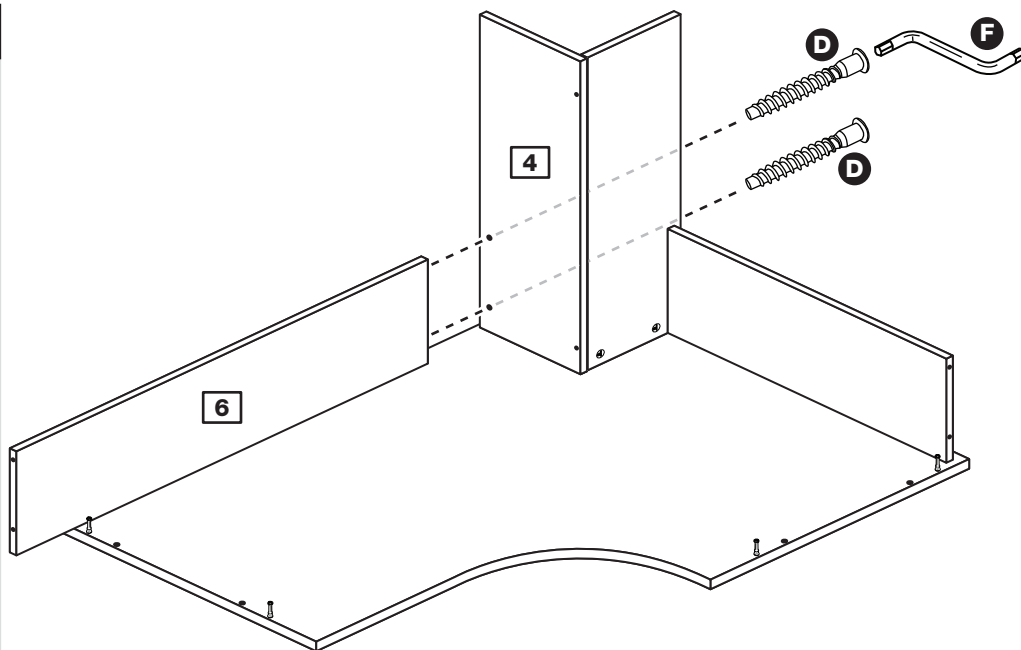


Assembly Instructions

Step 8

Fit the large modesty

Push the large modesty **6** against the return leg **4** and secure it using 2 screws **D** and the allen key **F**.



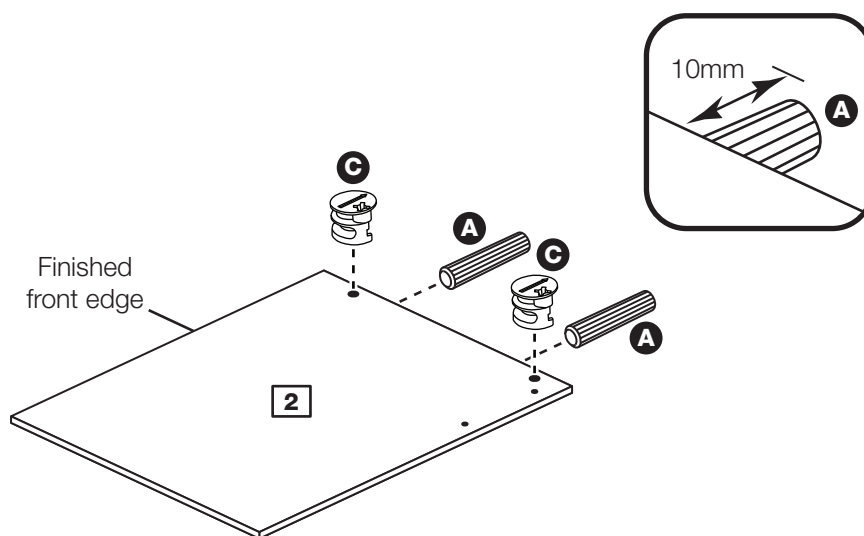
Step 9

Prepare the left side

Tap 2 wooden dowels **A** into the left side **2**.

Note: Wooden dowels **must not** stick out from the edge by more than 10mm or they may damage other panels.

Insert 2 large locking nuts **C** into the left side **2**.

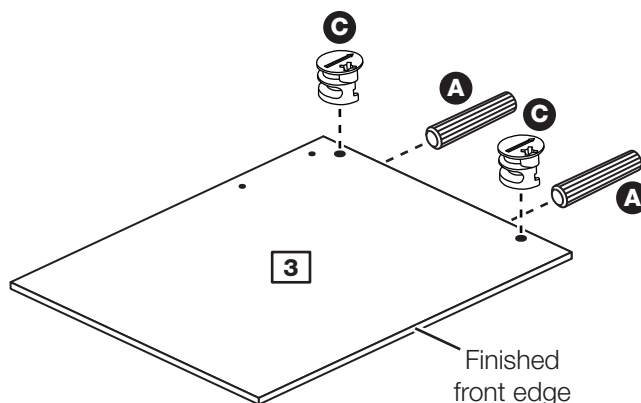


Step 10

Prepare the right side

Tap 2 wooden dowels **A** into the right side **3**.

Insert 2 large locking nuts **C** into the right side **3**.



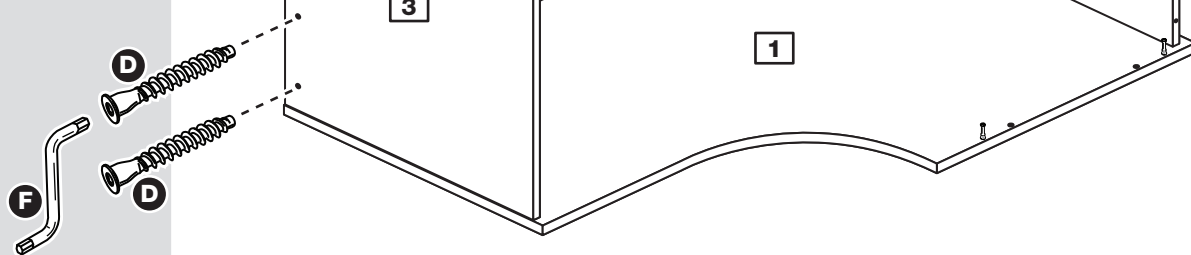
Assembly Instructions

Step 11

Fit the right side

Push the right side **3** onto the top **1**.

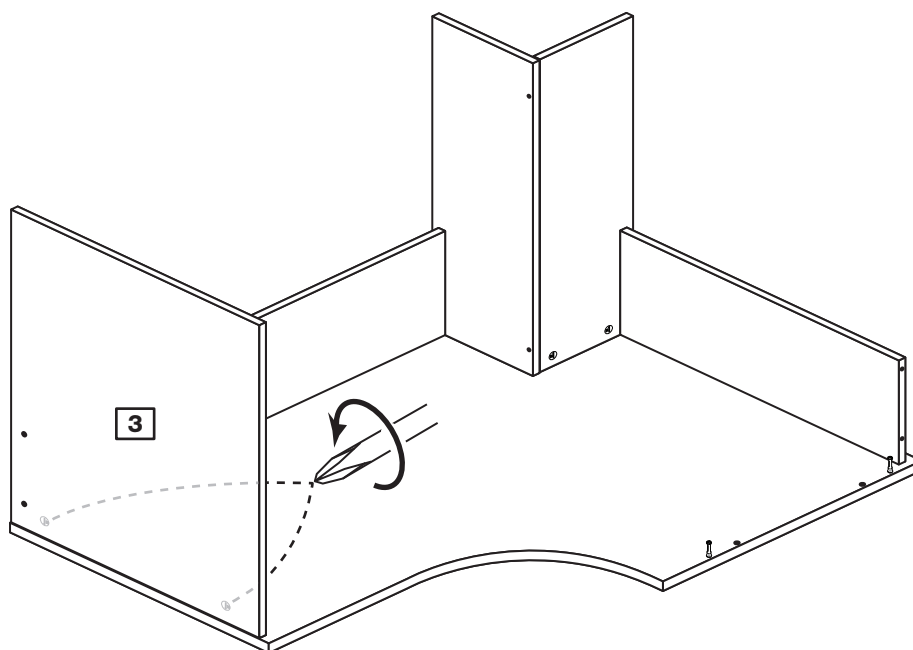
Secure the right side **3** the large modesty **6** using 2 screws **D** and allen key **F**.



Step 12

Secure the right side

Use a screwdriver to tighten the 2 large locking nuts **C** fitted to the right side **3**.



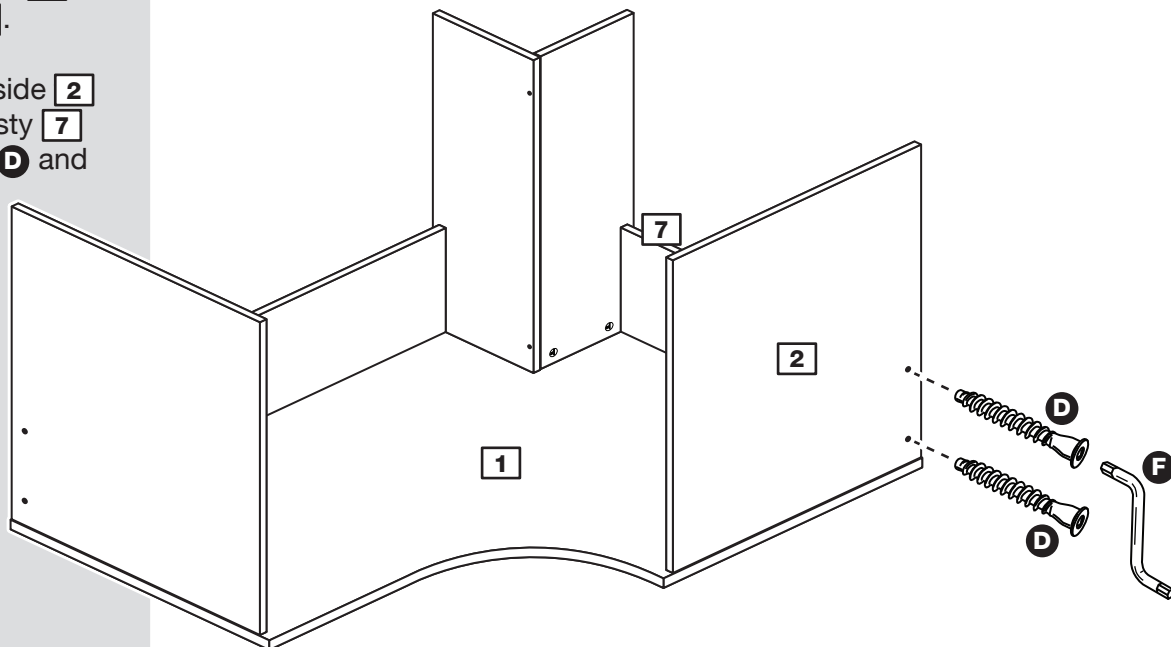
Assembly Instructions

Step 13

Fit the left side

Push the left side **2** onto the top **1**.

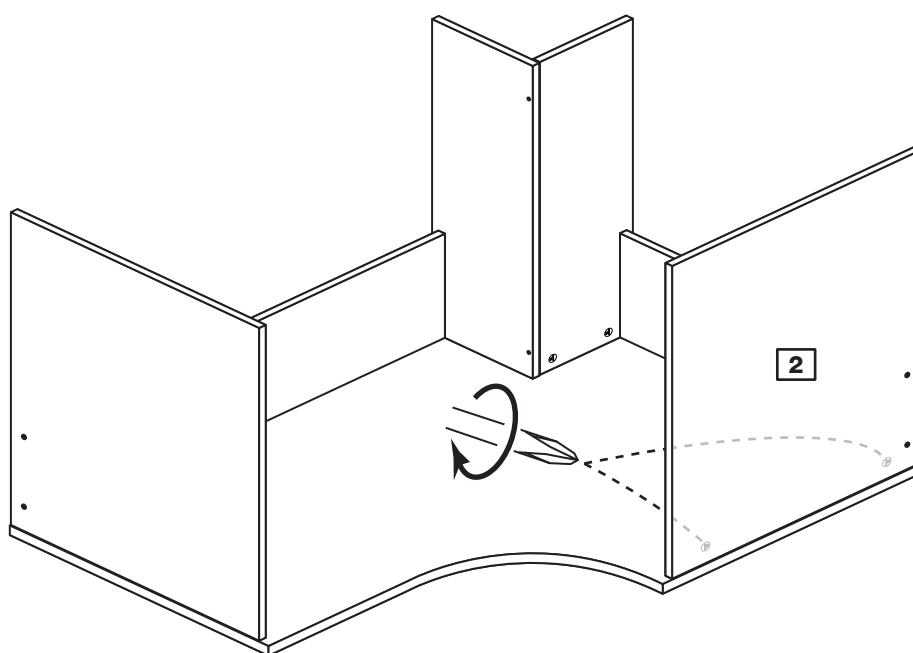
Secure the left side **2** the small modesty **7** using 2 screws **D** and allen key **F**.



Step 14

Secure the left side

Use a screwdriver to tighten the 2 large locking nuts **C** fitted to the left side **2**.



Assembly Instructions

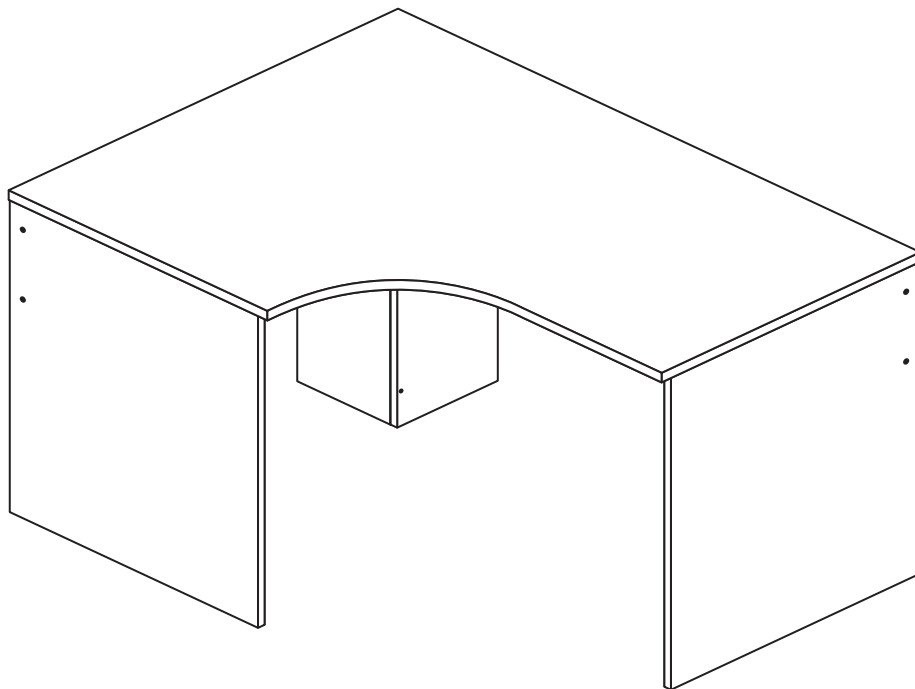
Step 15

Turn the unit over

2 people are needed here

Carefully turn the unit over onto its feet and place it into position.

Assembly is complete



If you need help or have damaged or missing parts, call the **Customer Helpline: 08456 400800** and quote the reference numbers on the component pages.

Argos Ltd, 489-499 Avebury Boulevard, Central Milton Keynes, MK9 2NW

