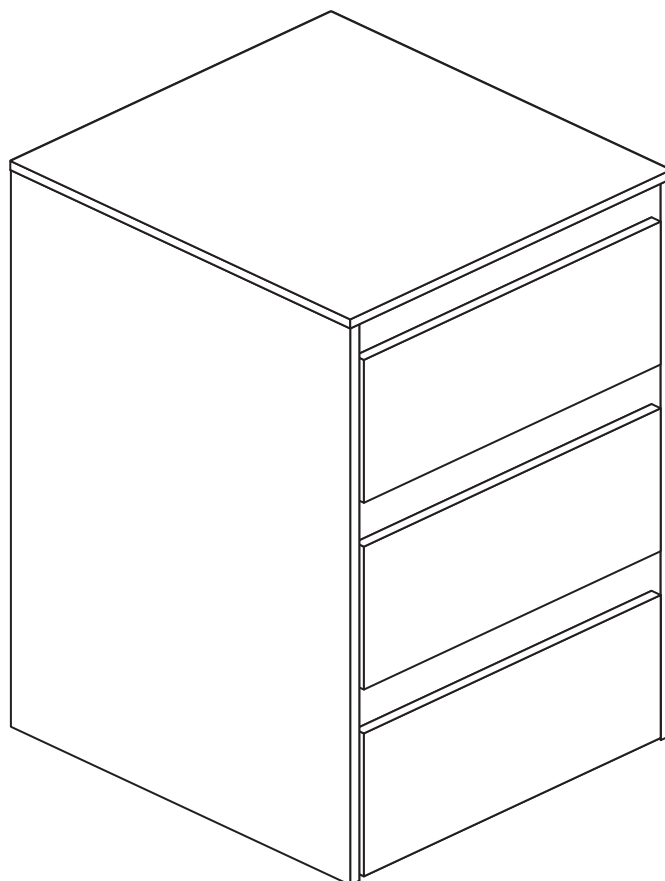


Atlas - Internal 3 Drawer Chest

Assembly Instructions - Please keep for future reference

161/5803



Dimensions

Width - 47cm

Depth - 50cm

Height - 75cm



**MADE IN
BRITAIN**

Important - Please read these instructions fully before starting assembly

If you need help or have damaged or missing parts, call the **Customer Helpline: 08456 400800**



Safety and Care Advice

Important - Please read these instructions fully before starting assembly

- **Warning:** This unit weighs approximately 19kgs. Please lift with care.

- Check you have all the components and tools listed on pages 2 and 3.

- Remove all fittings from the plastic bags and separate them into their groups.

- Keep children and animals away from the work area, small parts could choke if swallowed.

- Parts of the assembly will be easier with 2 people.

- Make sure you have enough space to layout the parts before starting.

- Do not stand or put weight on the product, this could cause damage.

- Assemble the item as close to its final position (in the same room) as possible.

- Assemble on a soft level surface to avoid damaging the unit or your floor (use opened out unit carton).



- We do not recommend the use of power drill/drivers **for inserting screws**, as this could damage the unit. Only use hand screwdrivers.

- **Safety note:** If there is any chance of this unit being pulled over by children etc. it is recommended that the unit is secured to a wall using suitable fixings (not supplied).

- Dispose of all packaging carefully and responsibly.

Care and maintenance

- Only clean using a damp cloth and mild detergent, do not use bleach or abrasive cleaners.

- From time to time check that there are no loose screws on this unit.

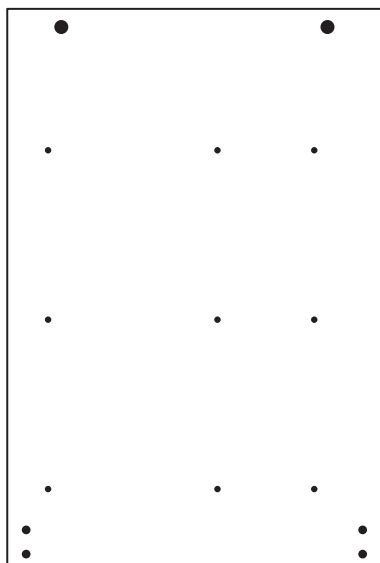
- This product should not be discarded with household waste. Take to your local authority waste disposal centre.

Note: If required the next page can be cut out and used as reference throughout the assembly. Keep this page with these instructions for future reference.

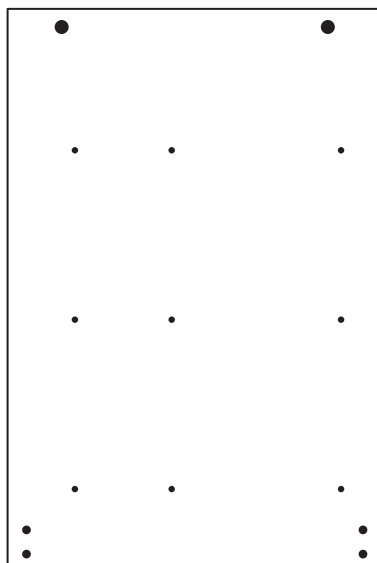
Components - Panels

If you have damaged or missing components, call the **Customer Helpline: 08456 400800** quoting the reference numbers below

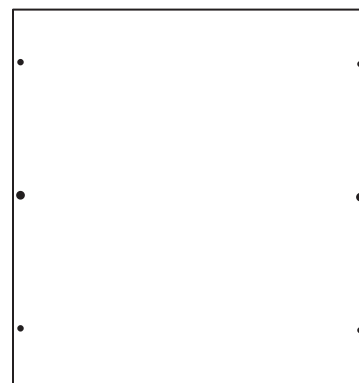
Please check you have all the panels listed below



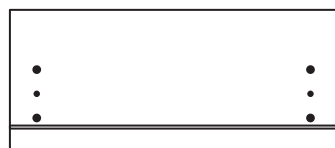
1 Left Side (D2385A)
(735 x 495mm)



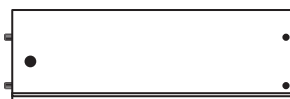
2 Right Side (D2766A)
(735 x 495mm)



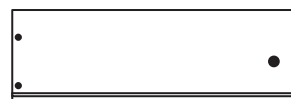
3 Top (D2384A)
(496 x 468mm)



4 Drawer Front (D2387A)
(433 x 189mm) x 3



5 Left Drawer Side (W370-124LH)
(370 x 124mm) x 3



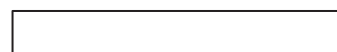
6 Right Drawer Side (W370-124RH)
(370 x 124mm) x 3



7 Wrap Back (W387-124)
(387 x 124mm) x 3



8 Drawer Base (T402-367)
(398 x 367mm) x 3



9 Rail (D2386A)
(437 x 60mm) x 2


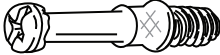









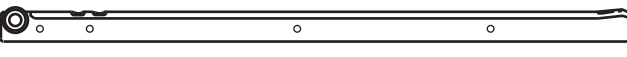





Components - Fittings

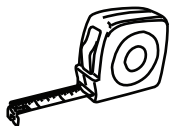
If you have damaged or missing components, call the **Customer Helpline: 08456 400800** quoting the reference numbers below

Please check you have all the fittings listed below

Note: The quantities below are the correct amount to complete the assembly. In some cases more fittings may be supplied than are required.

<p>A </p> <p>Wooden dowel (F22) x 2</p>	<p>B </p> <p>Metal dowel (F901) x 10</p>	<p>C </p> <p>Large locking nut (F900) x 4</p>
<p>D </p> <p>Small locking nut (F3) x 6</p>	<p>E </p> <p>Allen Key (F36) x 1</p>	<p>F </p> <p>13mm Screw (F52) x 18</p>
<p>G </p> <p>13mm Screw (F63) x 18</p>	<p>H </p> <p>Knock-in Peg (F171) x 12</p>	<p>I </p> <p>50mm Screw (F49) x 8</p>
<p>J a  CL Runner (F904) x 3 ← 400mm long →</p> <p>J b  CR Runner (F903) x 3</p> <p>J c  DL Runner (F906) x 3</p> <p>J d  DR Runner (F905) x 3</p>	<p>K </p> <p>Wedgefix (F639) x 6</p>	<p>L </p> <p>Plastic Nail (F91) x 4</p>

Tools required



Rule



Cross-head screwdriver



Scissors

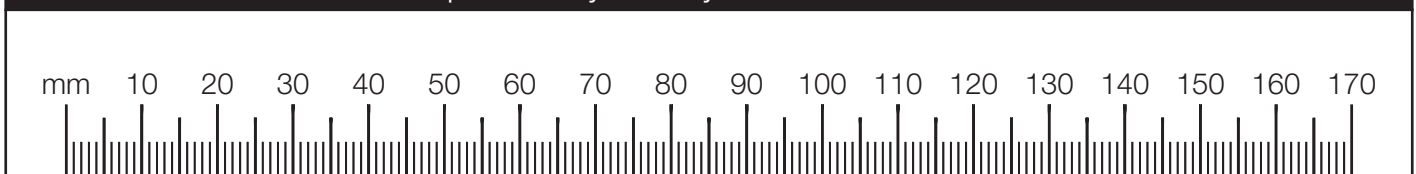


Hammer



Eye protection (when using a hammer or drill)

Ruler - Use this ruler to help correctly identify the screws



Assembly Instructions

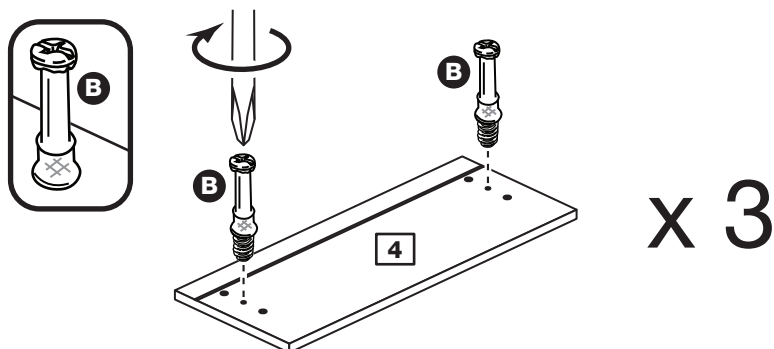
If you have damaged or missing components, call the **Customer Helpline: 08456 400800** quoting the reference numbers below

Step 1

Prepare the drawer fronts

Screw 2 metal dowels **B** into the holes shown on the back of the drawer fronts **4**.

Note: Tighten the metal dowels up fully against the panels.

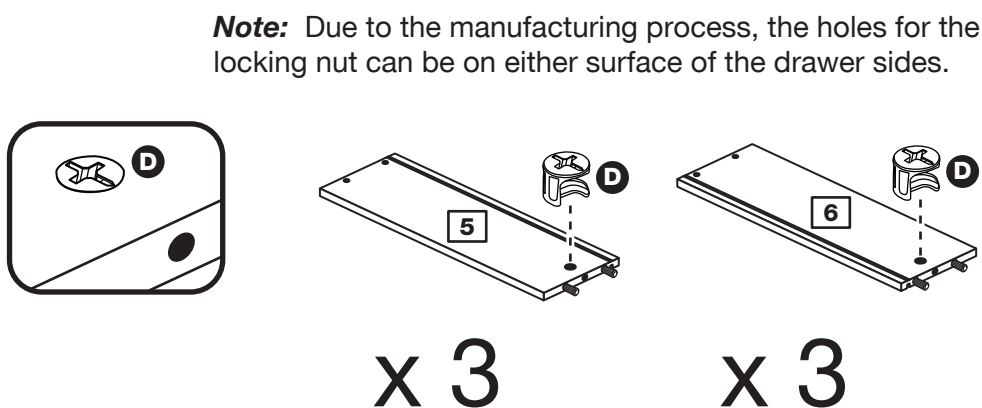


Step 2

Prepare the drawer sides

Insert a small locking nut **D** into the hole shown on the left drawer side **5** and right drawer side **6**.

Note: The arrow on the locking nut **must** point towards the hole in the edge of the panel.



Step 3

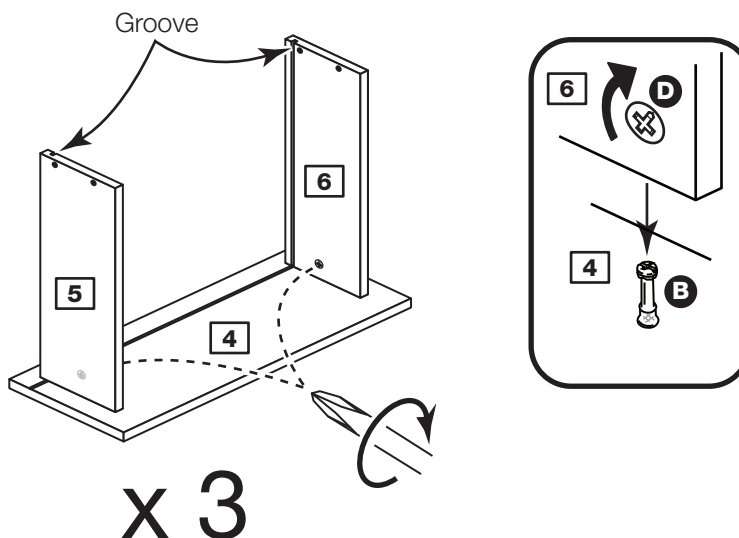
Attach the drawer sides to the drawer fronts

Push the left drawer side **5** and right drawer side **6** onto the back of the drawer front **4**.

Turn the small locking nuts **D** on the left drawer side **5** and right drawer side **6**.

Note: Turn the locking nuts **D** clockwise to secure panels - more than 1/2 a turn.

Note: The locking nuts can be on either surface of the drawer sides. Make sure that the groove is on the inside, as shown.

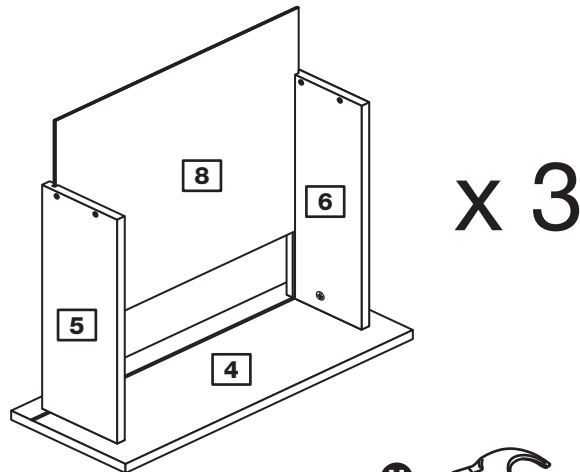


Assembly Instructions

Step 4

Fit the drawer base

Slide the drawer base **8** down the grooves in the drawer sides **5** and **6** and down into the groove in the drawer front **4**.



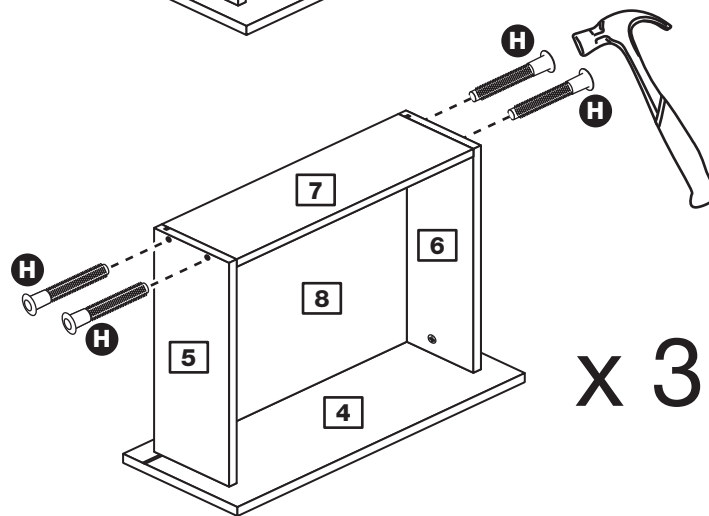
Step 5

Fit the drawer backs

Fit the drawer back **7** between the drawer sides **5** and **6**.

Make sure that the drawer base **8** fits into the groove in the drawer back **7**.

Hold the drawer back **7** in position and tap the knock-in pegs **H** through the holes in the drawer sides **5** and **6**.



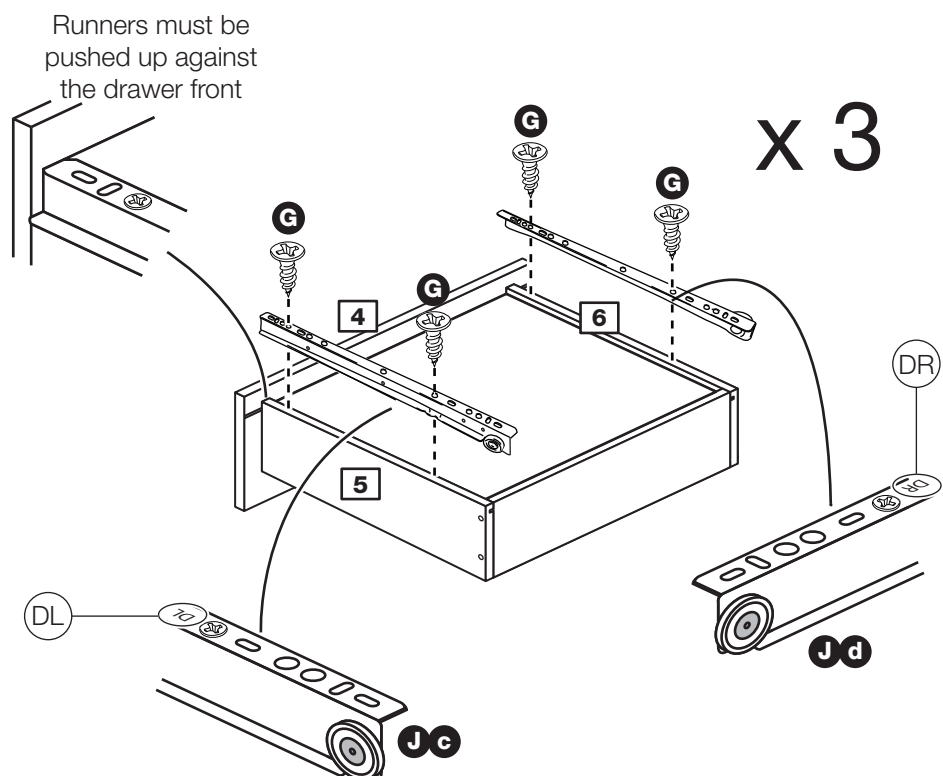
Step 6

Fit runners to the drawers

Turn the 3 drawer assemblies over.

Fit runner **Jd**, marked with 'DR', to the bottom edge of the right drawer side **6** as shown, making sure that it is pushed up against the back of the drawer front **4**. Use a bradawl to mark the fixing positions, then secure with 2 screws **G**.

Fit runner **Jc**, marked 'DL', to the bottom edge of the left drawer side **5** using the same method.



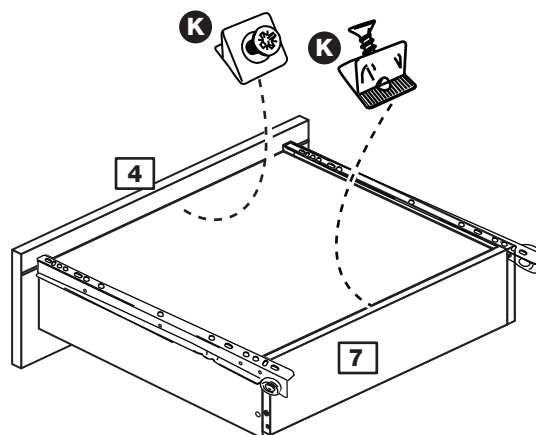
Assembly Instructions

Step 7

Fit the wedgexes

Slide 1 wedgex **K** into the small groove located on the back of the drawer front **4** and 1 into the small groove in the drawer back **7**.

Once in place, tighten up the screws in the wedgexes **K**.

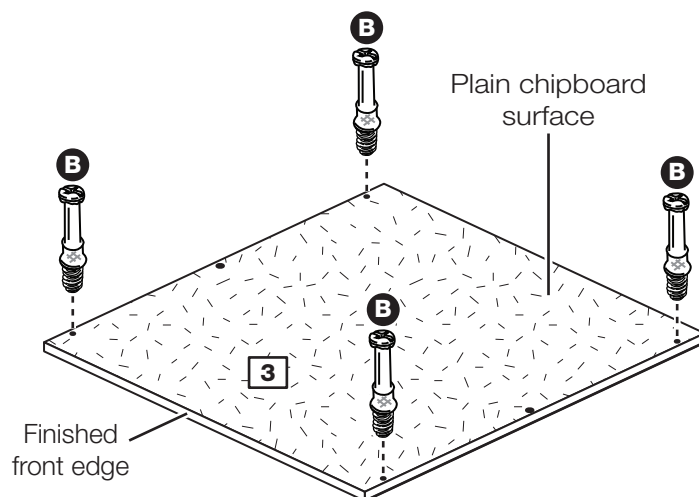


x 3

Step 8

Prepare the top

Screw 4 metal dowels **B** into the top **3**.



Assembly Instructions

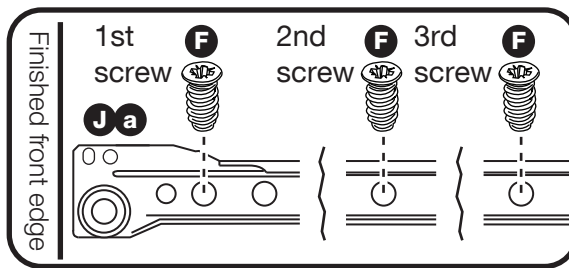
Step 9

Prepare the left side

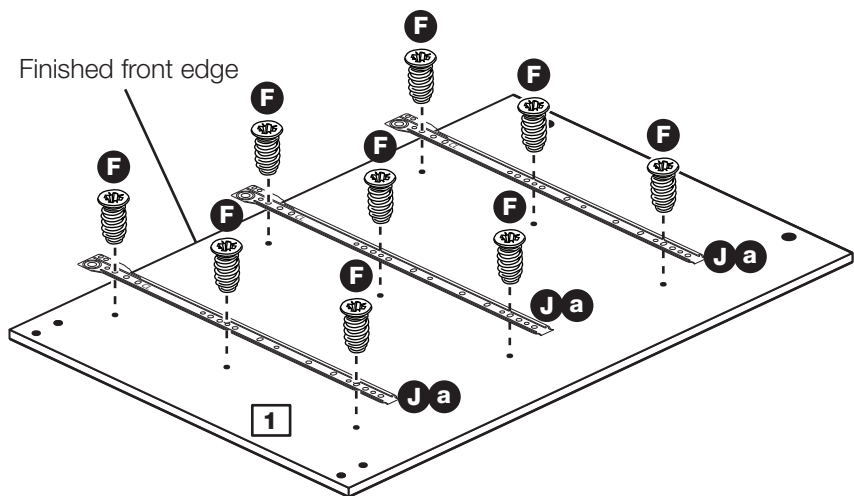
a: Fit runners **J a** to the left side **1**.

The 1st screw **F** uses the 2nd hole in from the front of the runner.

The 2nd and 3rd screws **F** use the holes that line up with the other panel holes.



a:



b: Fit a screw **G** into the 2nd hole in at the top of the runner **J a**.

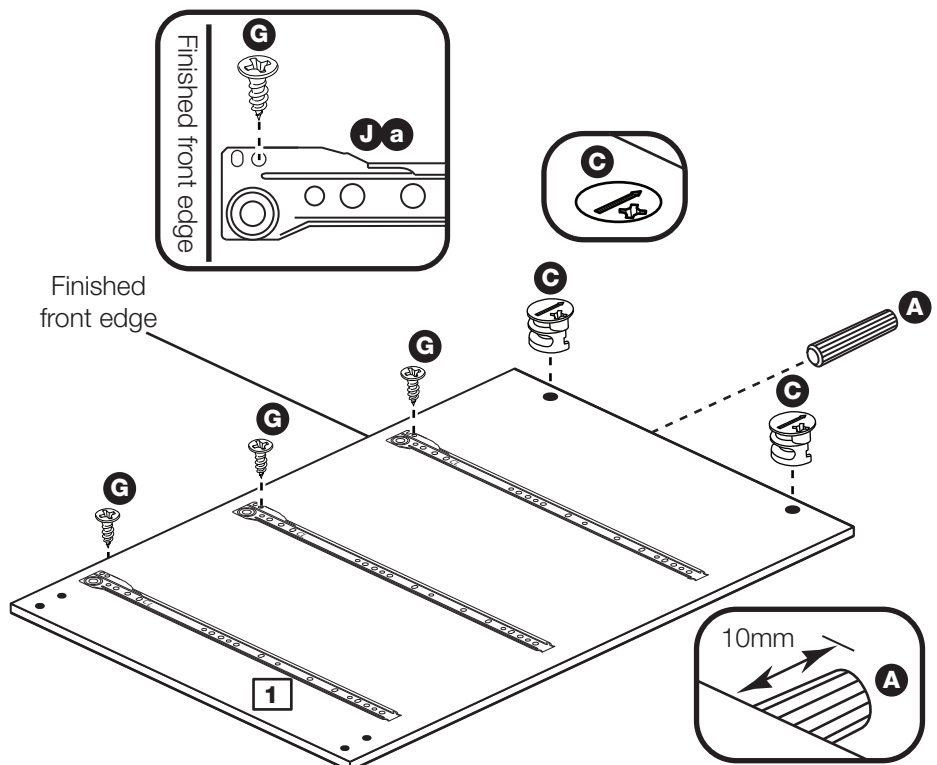
Insert 2 large locking nuts **C** into the left side **1**.

Note: The arrow on the locking nut **must** point towards the hole in the edge of the panel.

Tap a wooden dowel **A** into the left side **1**.

Note: Wooden dowels **must not** stick out from the edge by more than 10mm or they may damage other panels.

b:



Assembly Instructions

Step 10

Prepare the right side

a: Fit runner **Jb** to the right side **2**.

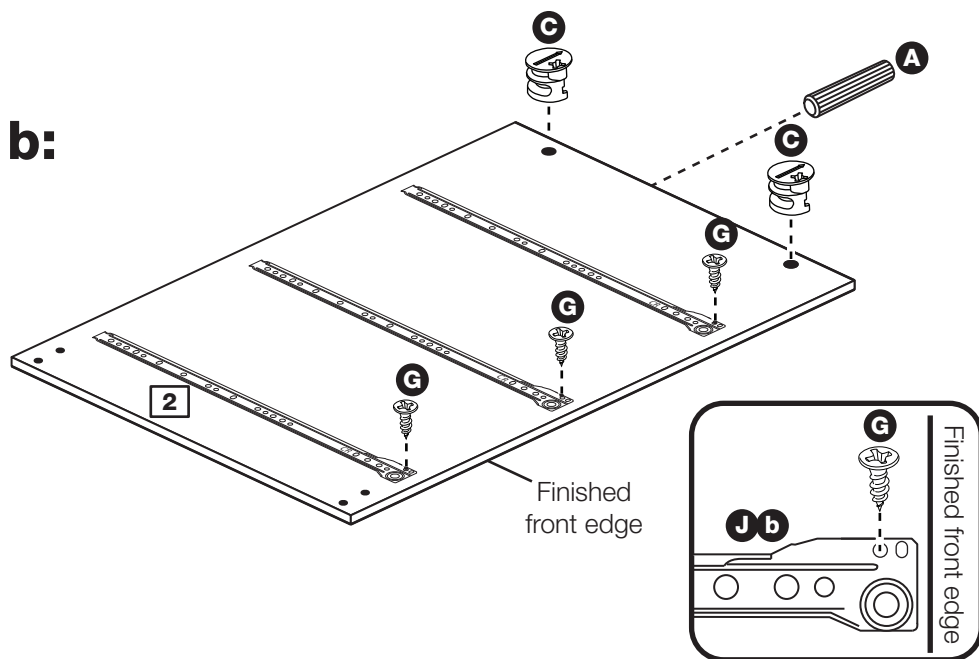
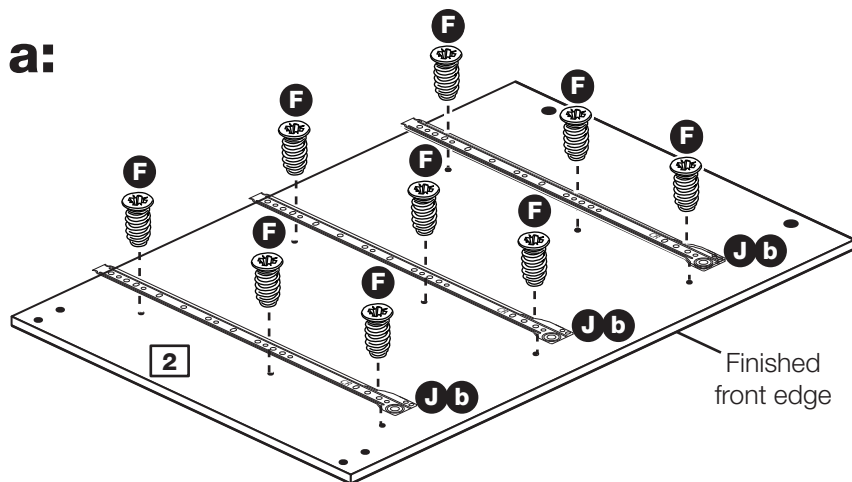
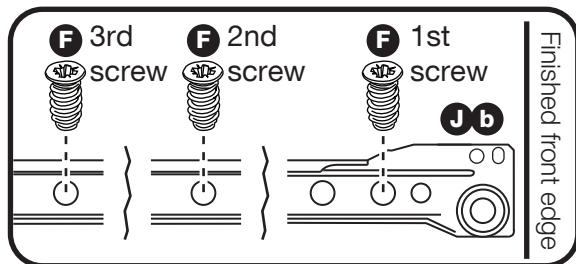
The 1st screw **F** uses the 2nd hole in from the front of the runner.

The 2nd and 3rd screws **F** use the holes that line up with the other panel holes.

b: Fit a screw **G** into the 2nd hole in at the top of the runner **Jb**.

Insert 2 large locking nuts **C** into the right side **2**.

Tap a wooden dowel **A** into the right side **2**.



Assembly Instructions

Step 11

Fit the top

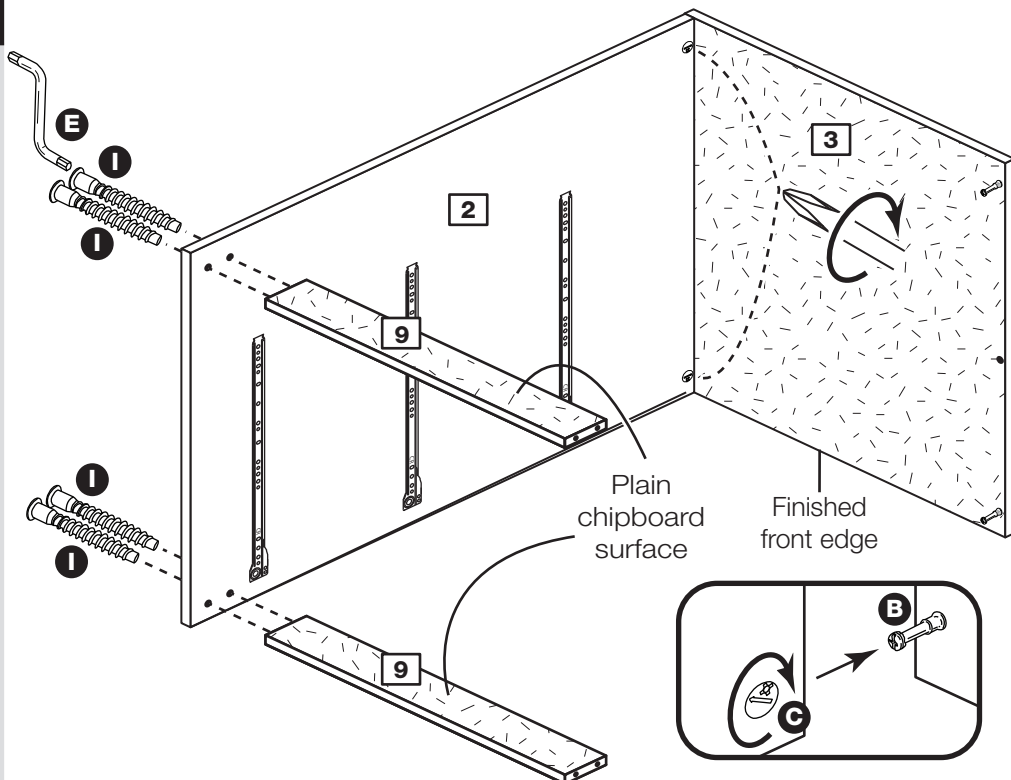
Push the top **3** onto the right side **2**.

Use a screwdriver to tighten the 2 large locking nuts **C** fitted to the right side **2**.

Note: Turn the large locking nuts **C** as far as they will go - more than 1/2 a turn.

Fit the 2 rails

Fit the 2 rails **9** onto the right side **2** using 4 screws **I** and tighten using the allen key **E**.



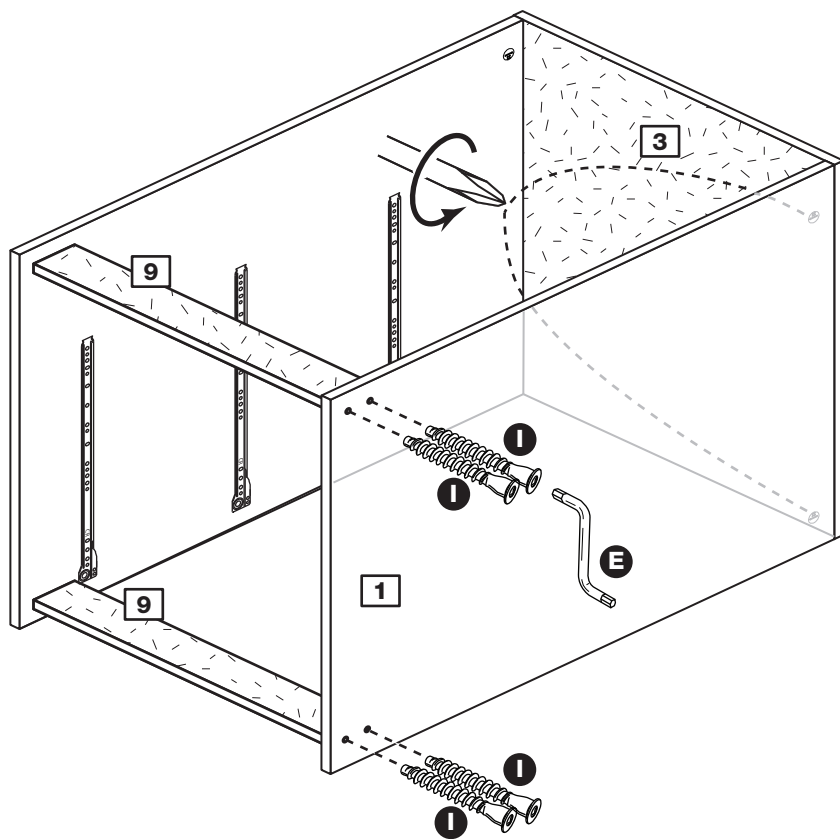
Step 12

Fit the left side

Push the left side **1** onto the assembly.

Use a screwdriver to tighten the 2 large locking nuts **C** fitted to the left side **1**.

Fit the 2 rails **9** onto the left side **1** using 4 screws **I** and tighten using the allen key **E**.

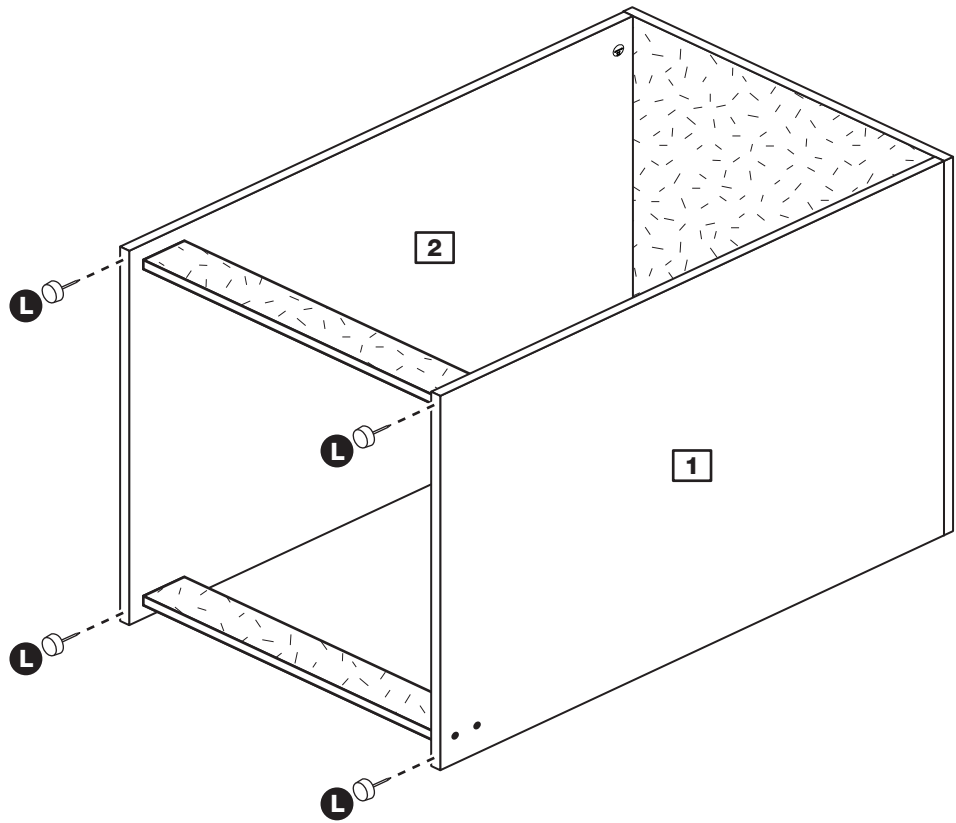


Assembly Instructions

Step 13

Fit the 4 plastic nails

Tap 2 plastic nails **L** into the bottom edge of each of the sides **1** and **2**.

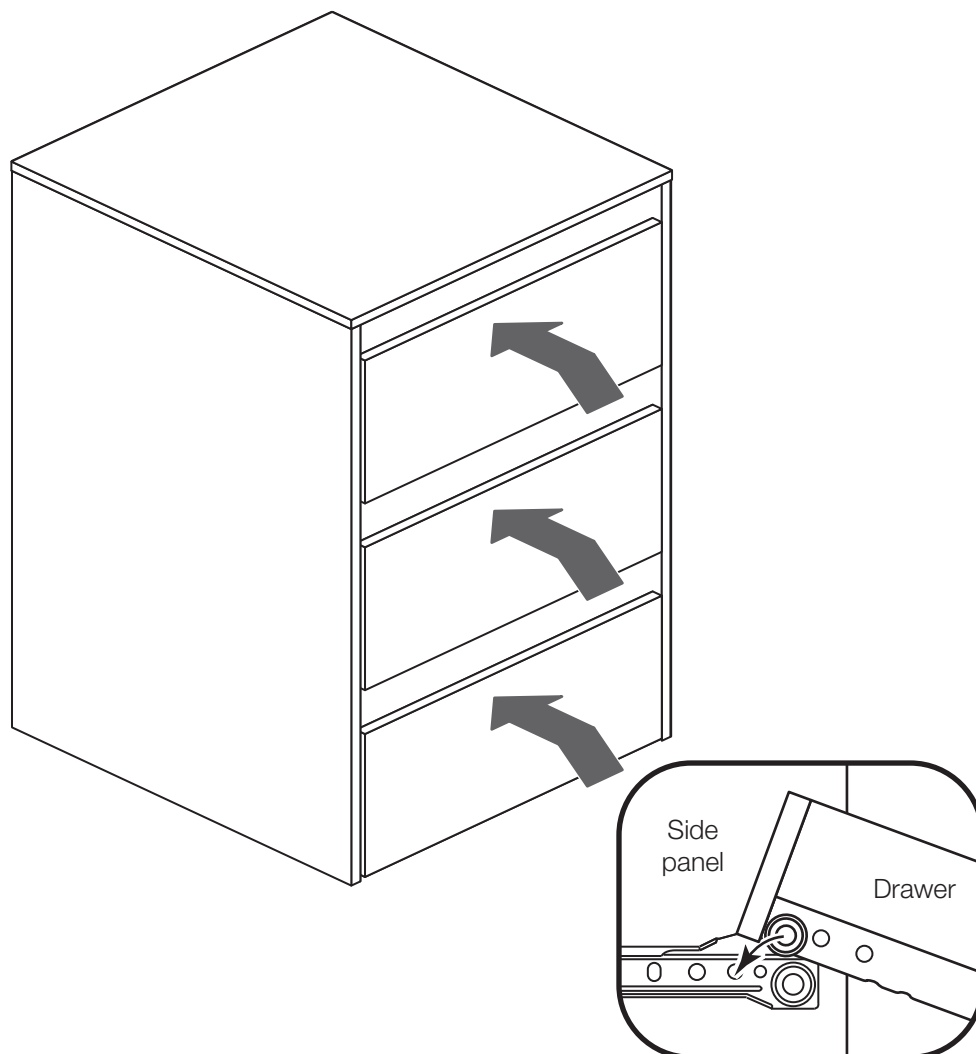


Assembly Instructions

Step 14

Fit the drawers

Slide the wheels of the runners fitted to the drawers, over the wheels of the runners fitted to the side panels and push the drawers into position.



Step 15

Assembly is complete Position unit

Carefully lift unit and position inside your wardrobe as required. 2 people may be required for this.

If you need help or have damaged or missing parts, call the **Customer Helpline: 08456 400800** and quote the reference numbers on the component pages.

Argos Ltd, 489-499 Avebury Boulevard, Central Milton Keynes, MK9 2NW