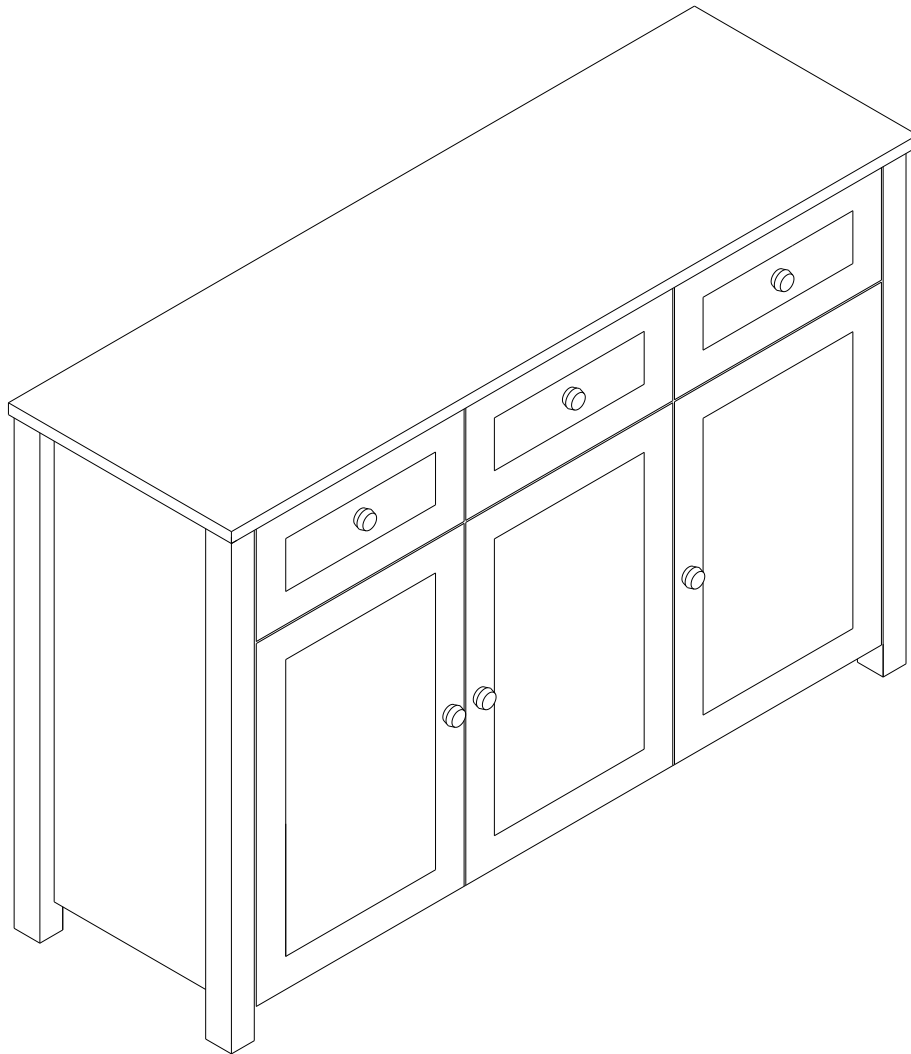


Haversham - 3 Dr 3 Drw Sideboard

Assembly Instructions - Please keep for future reference

159/9280



Dimensions

Width - 120cm

Depth - 39cm

Height - 80,5cm

Important – Please read these instructions fully before starting assembly

If you need help or have damaged or missing parts, call the **Customer Helpline: 08456 400 800**



Safety and Care Advice

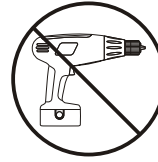
Important – Please read these instructions fully before starting assembly

- Check you have all the components and tools listed on pages 2 and 3.
- Remove all fittings from the plastic bags and separate them into their groups.
- Keep children and animals away from the work area, small parts could choke if swallowed.
- Make sure you have enough space to layout the parts before starting.
- Assemble on a soft level surface to avoid damaging the unit or your floor.

· This product contain Natural timber; you may notice some variation in the grain and colour of different component parts which is normal for furniture produced using natural wood and is not the result of any manufacturing fault.

· Do not stand or put weight on the product, this could cause damage.

· Assemble the item as close to its final position (in the same room) as possible.



· We do not recommend the use of power drill/drivers **for inserting screws**, as this could damage the unit. Only use hand screwdrivers.

· Parts of the assembly will be easier with 2 people.

· Dispose of all packaging carefully and responsibly.

Care and maintenance

· Use an appropriate furniture polish for natural wood furniture and a dry cloth to clean the product.

· Avoid placing the furniture in direct sunlight as this will cause the timber to prematurely age.

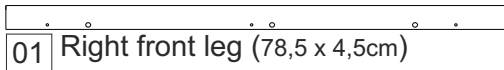
· From time to time check that there are no loose screws on this unit.

· This product should not be discarded with household waste. Take to your local authority waste disposal centre.

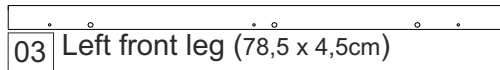
Note: if required the next page can be cut out and used as reference throughout the assembly. Keep this page with these instructions for future reference.

Components - Panels

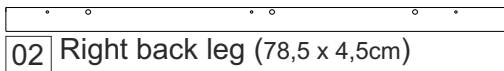
Please check you have all the panels listed below



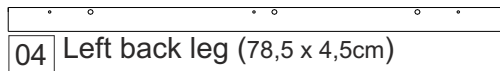
01 Right front leg (78,5 x 4,5cm)



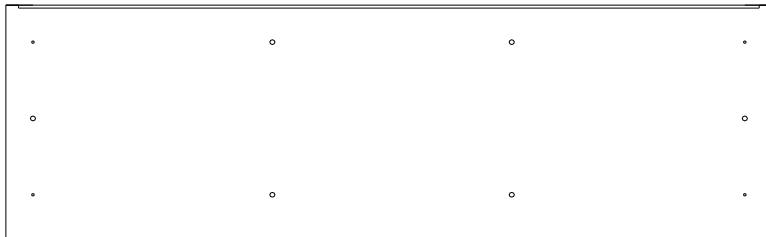
03 Left front leg (78,5 x 4,5cm)



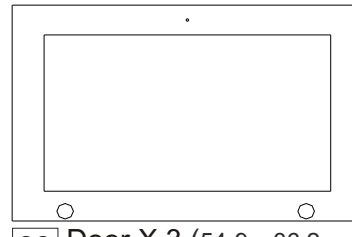
02 Right back leg (78,5 x 4,5cm)



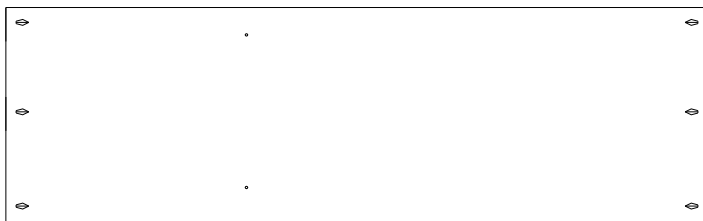
04 Left back leg (78,5 x 4,5cm)



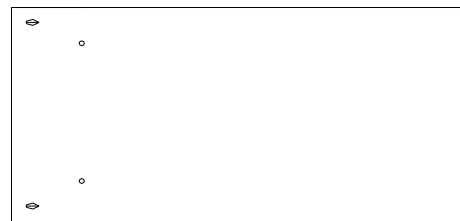
05 Top panel (120 x 39cm)



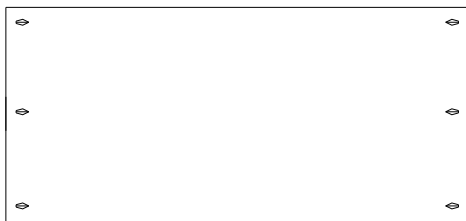
06 Door X 3 (54,9 x 36,2cm)



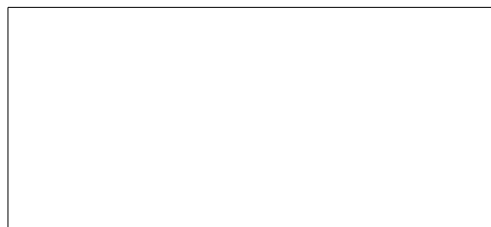
07 Base panel (110 x 39cm)



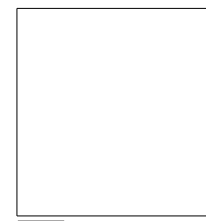
08 Large middle wall (72 x 36cm)



09 Shelf (72,5 x 36cm)



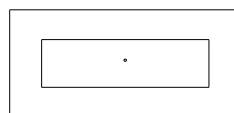
10 Back panel (74,4 x 37,7cm)



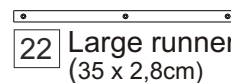
14 Drawer bottom X 3 (34,8 x 30,7cm)



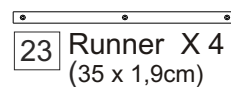
11 Back panel X 2 (74,4 x 36,8cm)



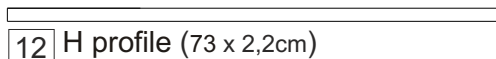
13 Drawer front X 3 (36,2 x 18cm)



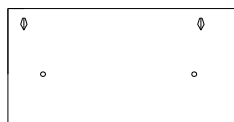
22 Large runner X 2 (35 x 2,8cm)



23 Runner X 4 (35 x 1,9cm)



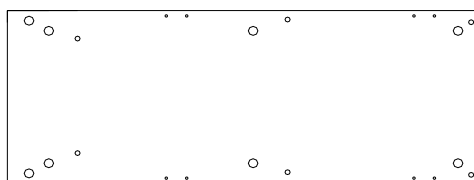
12 H profile (73 x 2,2cm)



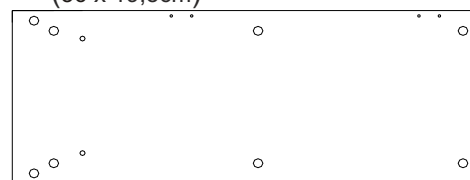
15 Small middle wall (36 x 19,5cm)



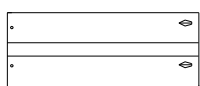
16 Central foot (5 x 4cm)



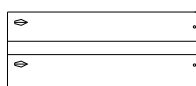
17 Left side panel (73,5 x 29cm)



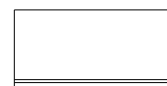
18 Right side panel (73,5 x 29cm)



19 Drawer left side X 3 (35 x 13cm)



20 Drawer right side X 3 (35 x 13cm)








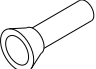

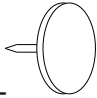


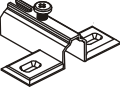
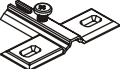
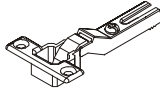
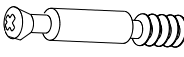


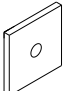
21 Drawer back X 3 (29,6 x 13cm)

Components - Fittings

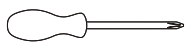
If you have damaged or missing components, call the Customer Helpline: **08456 400 800**

Please check you have all the fittings listed below

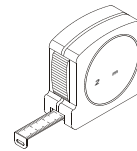
Note: The quantities below are the correct amount to complete the assembly. In some cases more fittings may be supplied than are required.

A  8,0 x 30mm Wooden dowel X 54	B  3,5 x 25mm Screw X 12	C  3,5 x 30mm Screw X 48
D  3,5 x 14mm Screw X 25	E  Handle X 6	F  Plastic pin X 6
G  10 x 10 Nail X 35	H  Foot pad X 5	I  3,5 x 40mm Screw X 3
J  Locking nut X 16	L  Hinge plate X 4	M  Thin hinge plate X 2
N  Hinge X 6	O  Metal dowel X 16	P  Wall strap X 1
Q  Washer X 2	R  Squared washer X 4	

Tools required



Phillips screwdriver
(medium & large)



Ruler/tape
measure

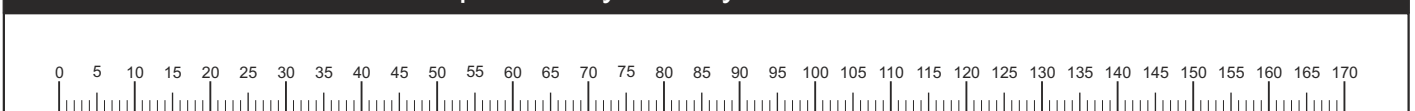


Small
hammer



Eye protection
(when using a
hammer or glue)

Ruler - Use this ruler to help correctly identify the screws



Assembly Instructions

Step 1

Parts **01**, **02**, **03** and **04** are labelled for easier identification.

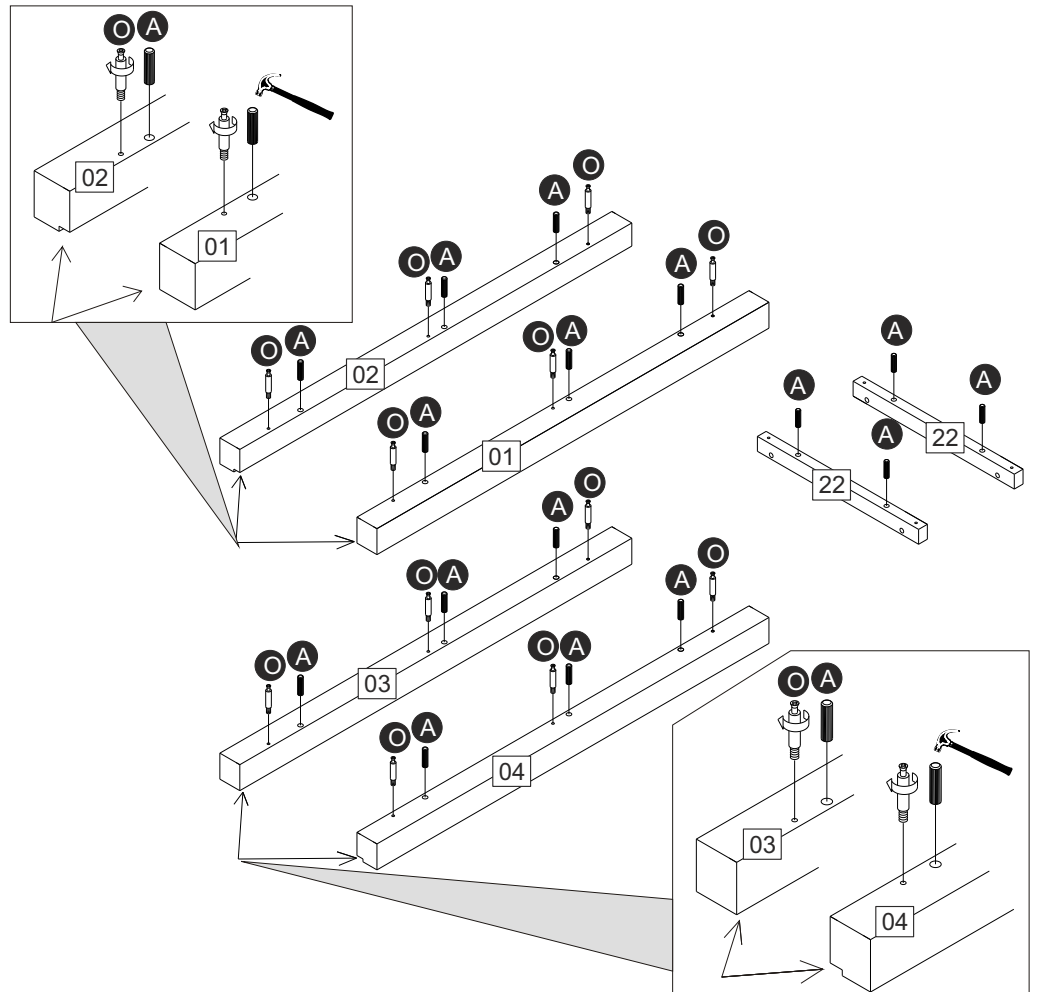
Insert wooden dowels **A** into large runners **22**.

Insert wooden dowels **A** into leg **01**, **02**, **03** and **04** as shown.

Screw metal dowels **O** into leg **01**, **02**, **03** and **04**.



Do not over-tighten metal dowels.



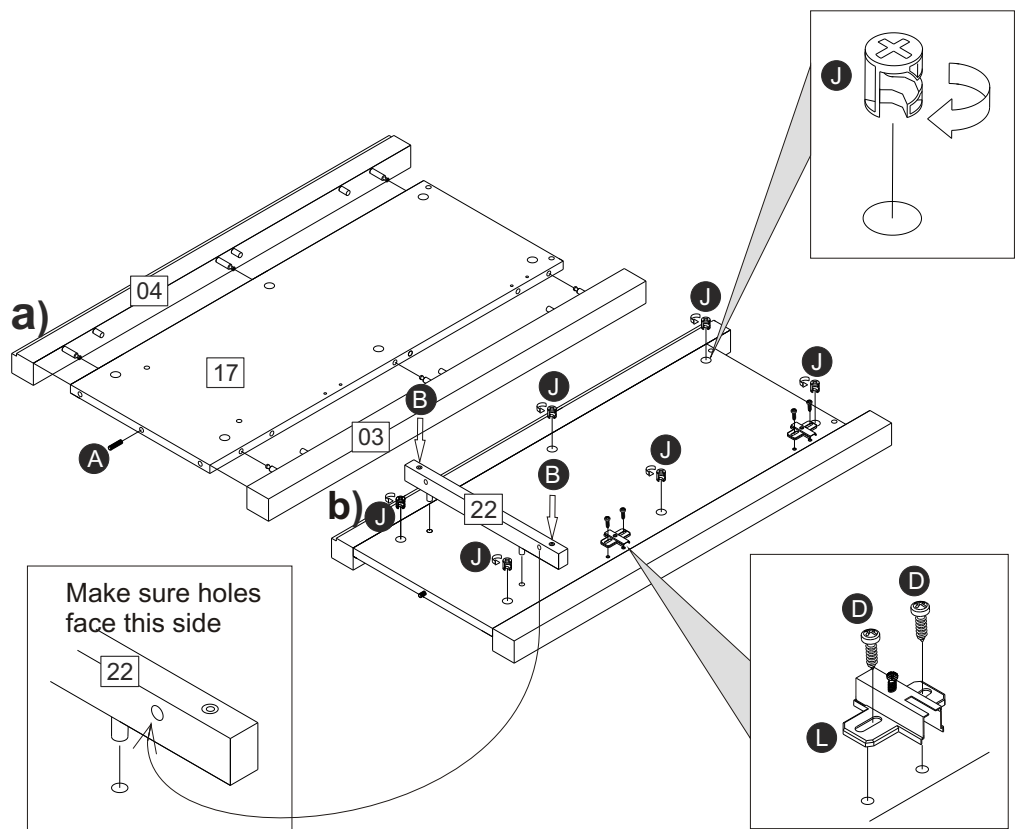
Step 2

a) Fit side panel **17**, left front leg **03** and left back leg **04** together.

b) Insert locking nuts **J** where shown. Use a screwdriver to turn locking nuts clockwise to lock.

Fix hinge plates **L** using screws **D** as shown.

Fix runner **22** to side panel **17** using screws **B**. Make sure holes in runner are positioned as shown.



Assembly Instructions

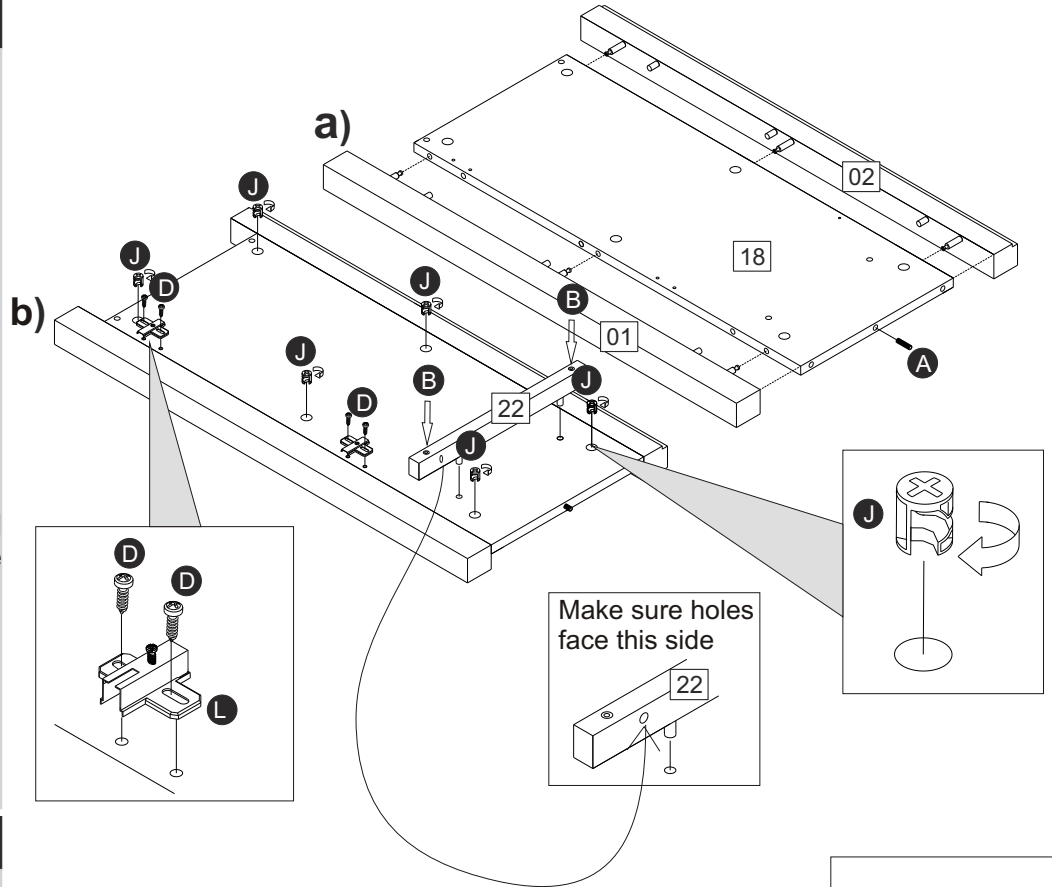
Step 3

a) Fit side panel **18**, right front leg **01** and right back leg **02** together.

b) Insert locking nuts **J** where shown. Use a screwdriver to turn locking nuts clockwise to lock.

Fix hinge plates **L** using screws **D** as shown.

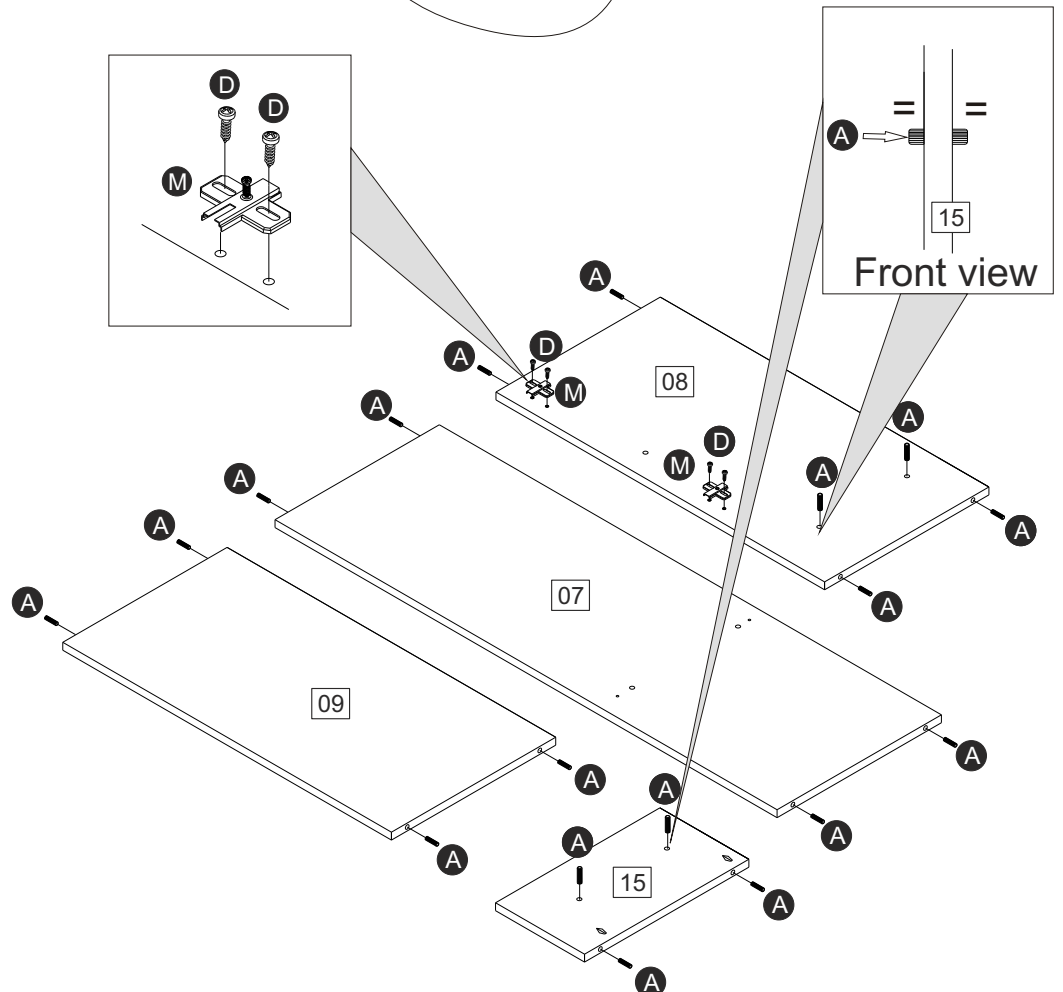
Fix runner **22** to side panel **18** using screws **B**. Make sure holes in runner are positioned as shown.



Step 4

Insert wooden dowels **A** into the indicated parts.

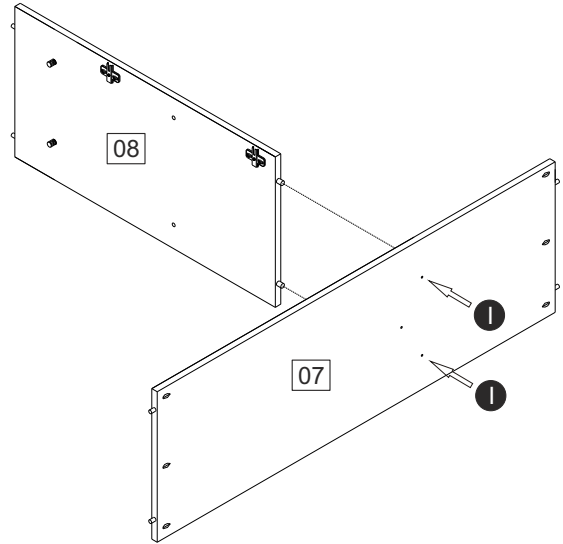
Fix thin hinge plates **M** using screws **D** as shown.



Assembly Instructions

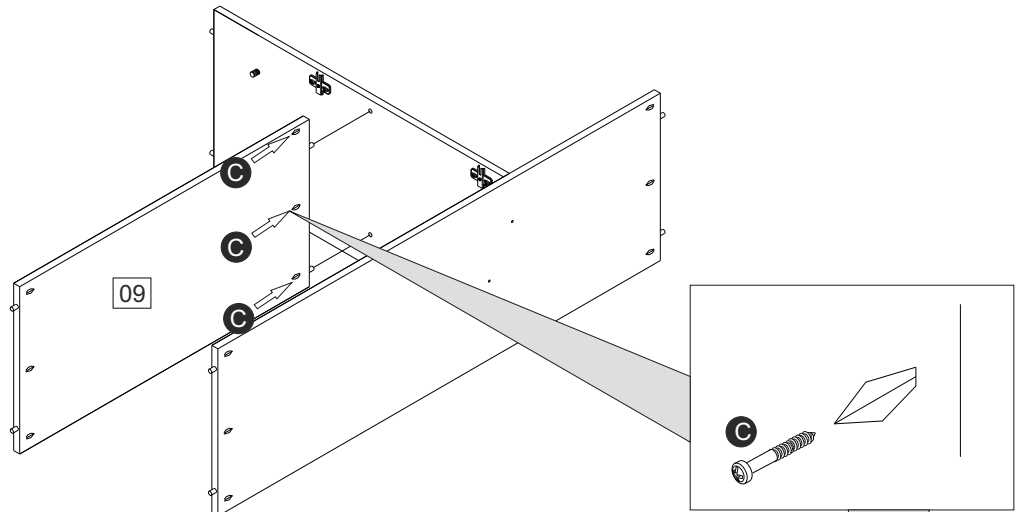
Step 5

Fix large middle wall **08** to base panel **07** using screws **I**.



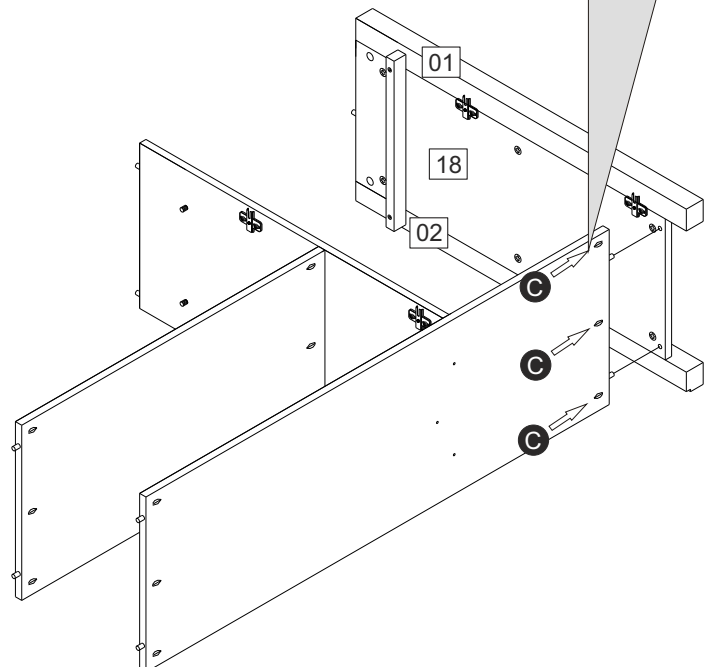
Step 6

Fix shelf **09** using screws **C**.



Step 7

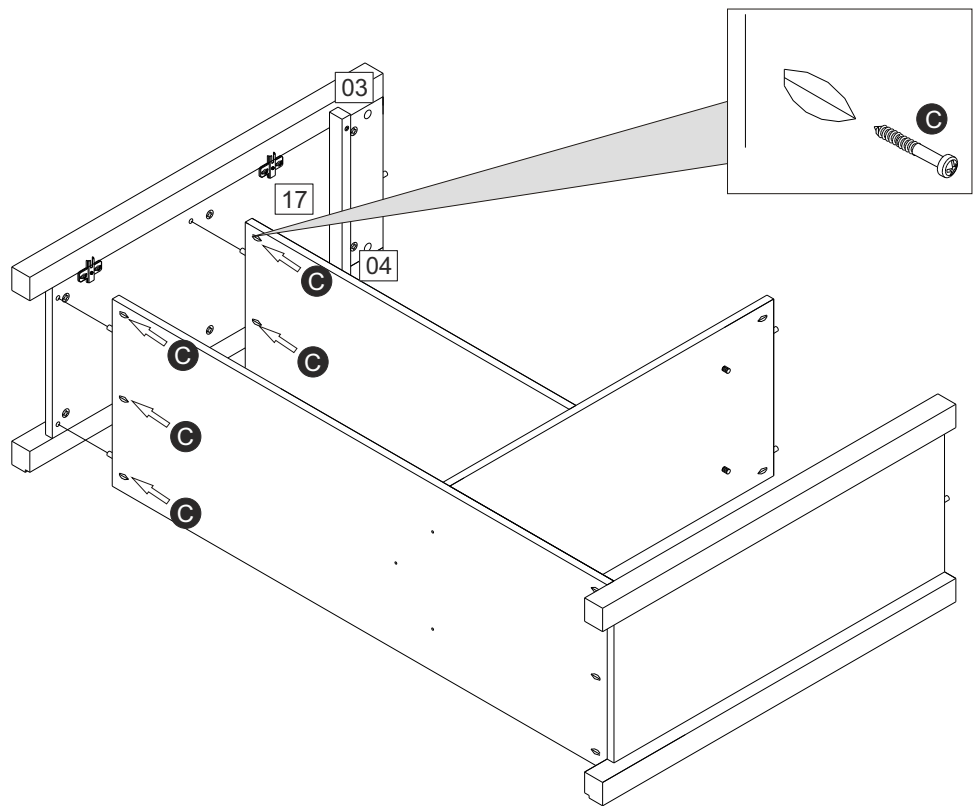
Fix assembled right side panel **18** using screws **C** as shown.



Assembly Instructions

Step 8

Fix assembled left side panel 17 using screws C as shown.



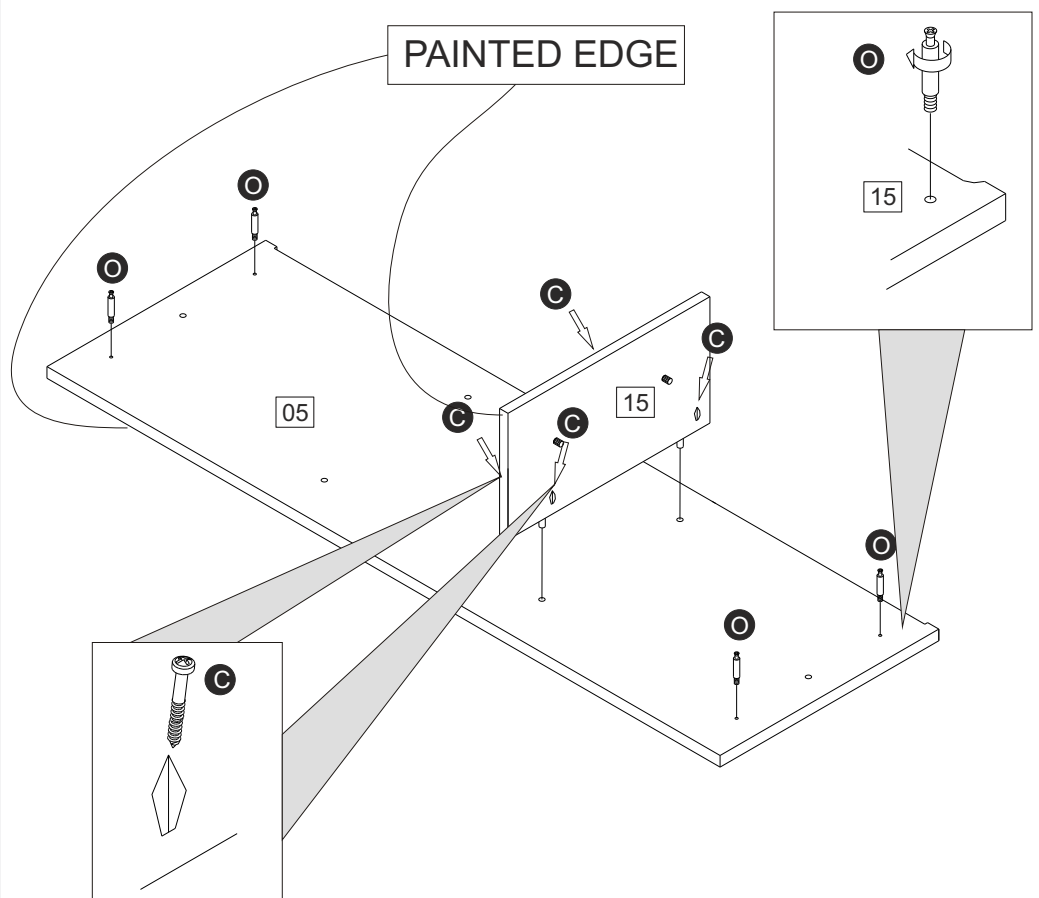
Step 9

Fix small middle wall 15 to the top panel 05 using screws C. Screw metal dowels D where shown.



ATTENTION!

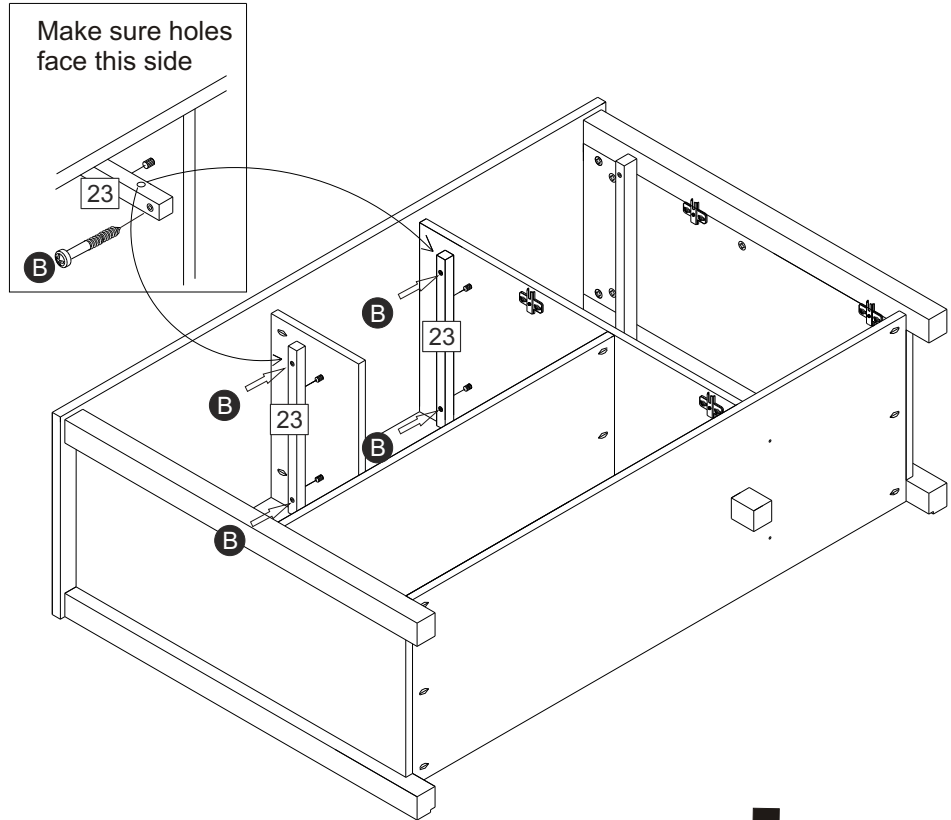
Make sure panels are positioned as show in the picture.



Assembly Instructions

Step 12

Fix runners **23** using screws **B**. Make sure holes in runners are positioned as shown.



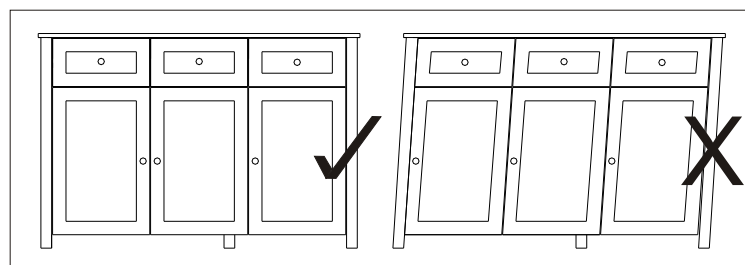
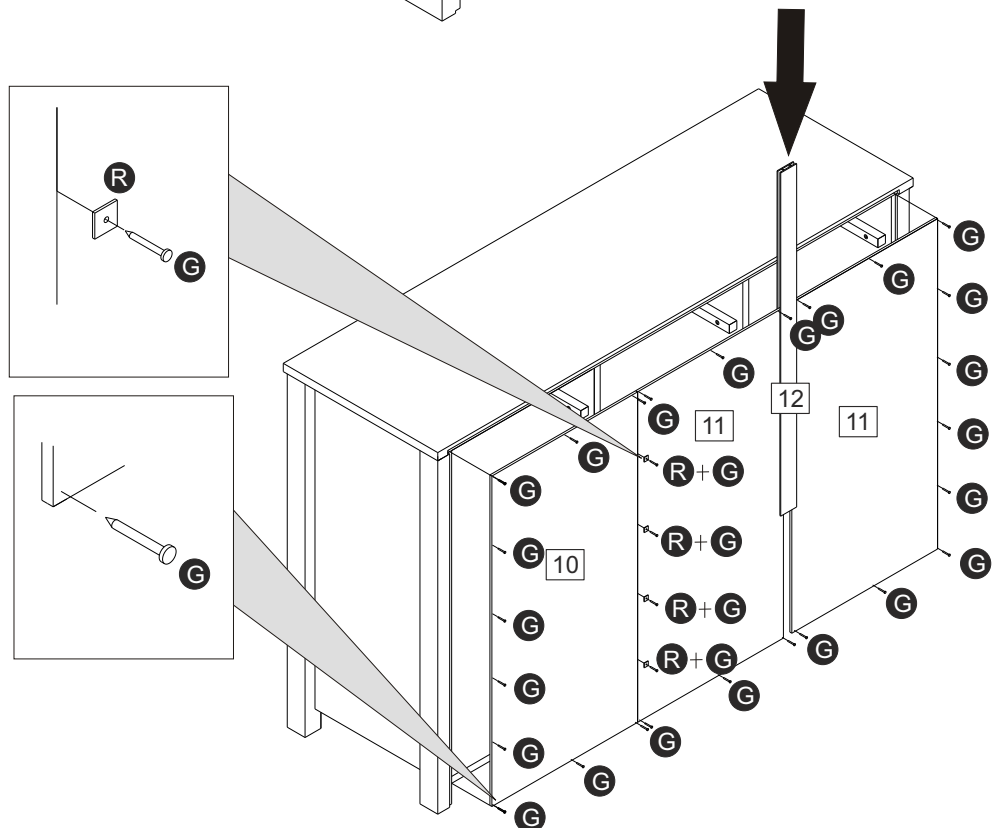
Step 13

Position back panels **10** and **11** within rebates with profile **12** in place as shown. Attach back panels using nails **G** and where shown, use squared washers **R** plus nails **G**.

Note that back panel **10** is larger than the back panels **11** and must be positioned on the left side.



IMPORTANT
Cabinet must be "square" when back is attached.

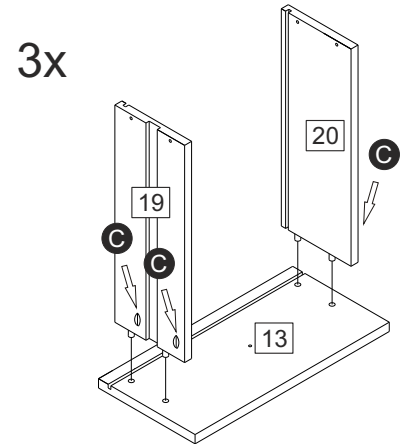
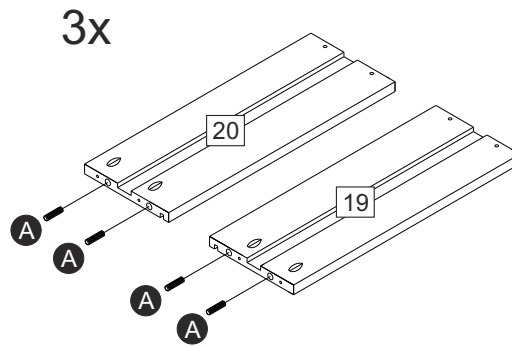


Assembly Instructions

Step 14

Insert wooden dowels **A** into drawer sides **19** and **20**.

Attach drawer sides **19** and **20** to drawer front **13** using screws **C**.

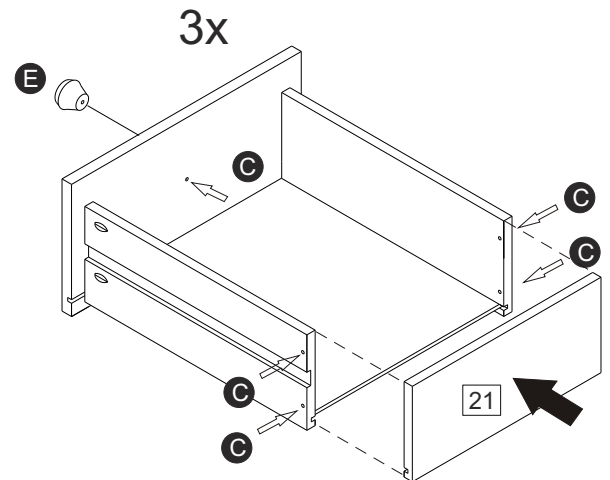
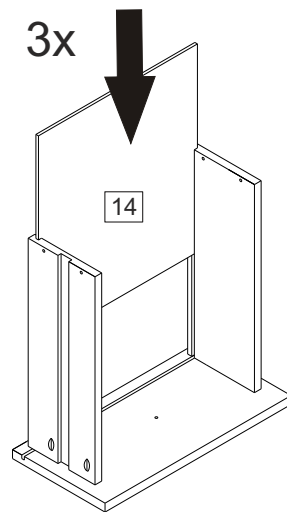


Step 15

Slide drawer base **14** into grooves as shown.

Attach drawer back **21** using screws **C**.

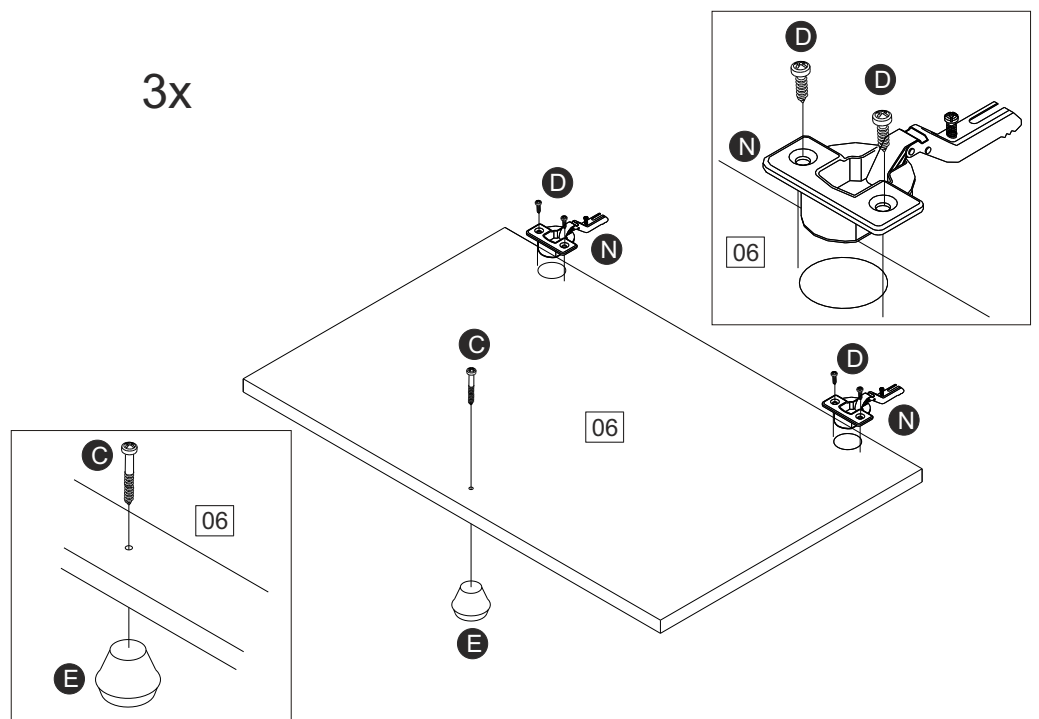
Fix handle **E** using screw **C**.



Step 16

Attach hinges **N** to the doors **06** using screws **D** as shown.

Fix handle **E** using screw **C** as shown.



Assembly Instructions

Step 17

Fixing wall strap:

Fix wall strap **P** to top of product (edge) using washer **Q** and screw **D** as shown.

Insert wooden dowels **A** into the runners as shown.

Hanging doors:

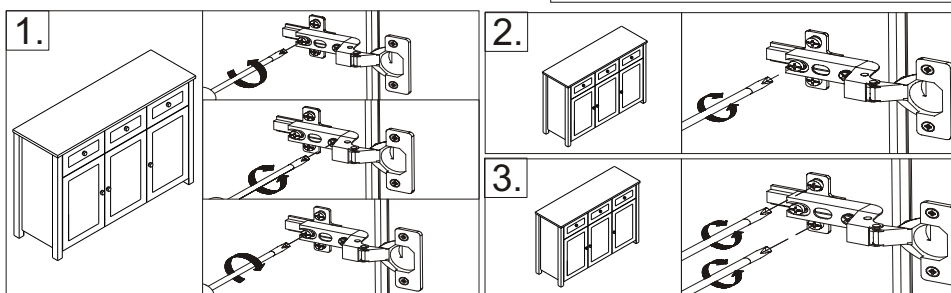
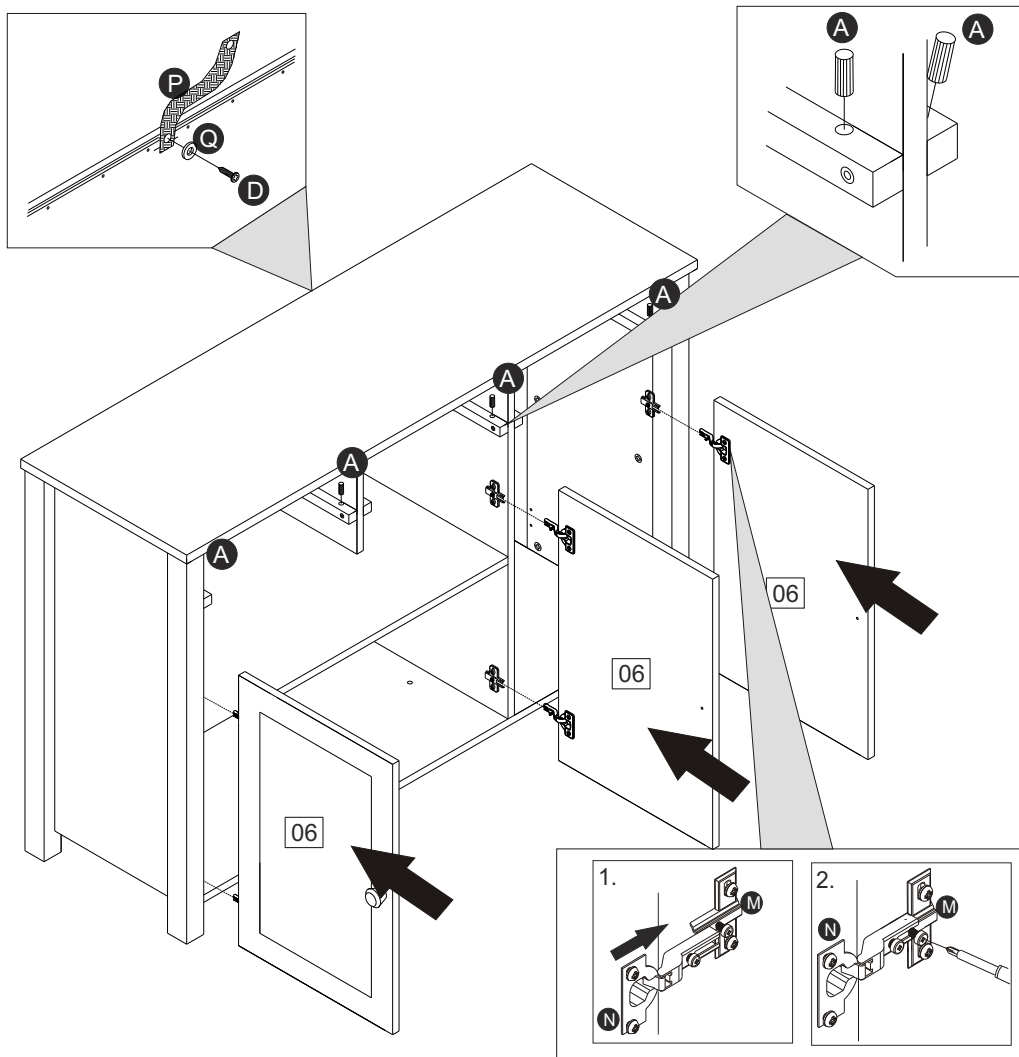
With help, slot door hinges **N** onto hinge plates **M** and tighten screws.

Hinge adjustment:

1- To move doors left or right, loosen screw shown and move doors to suit. Re-tighten screws.

2 - To move doors in or out, loosen screw shown and move doors to suit. Re-tighten screws.

3 - To move doors up or down, loosen screws shown and movedoors to suit. Re-tighten screws.

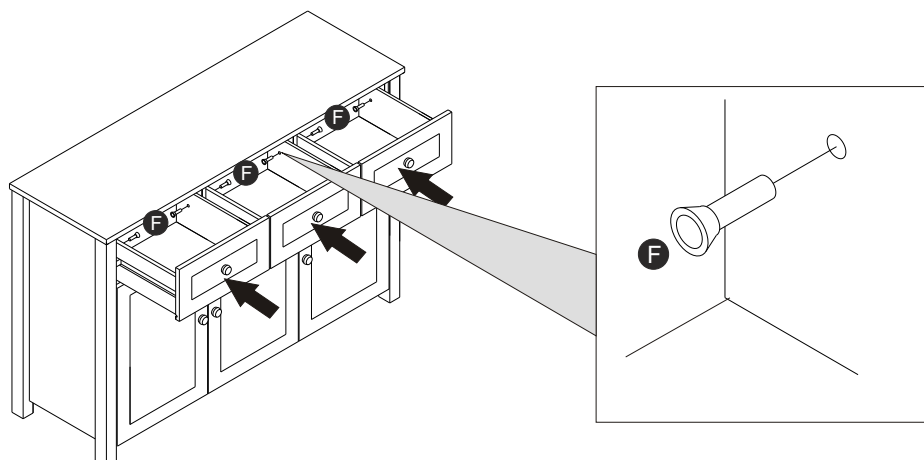


Step 18

Place drawers onto runners and slide past dowels fitted to runners.

Then, with hammer, tap plastic pins **F** in flush with drawer side, this is a safety catch to stop drawer falling out.

Assemble is complete

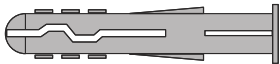


If you need help or have damaged or missing parts, call the **Customer Helpline: 08456 400 800**

A Guide to - Wall Mounting & Fixings

Important note:

If plastic wall plugs are supplied with your product:



- these are only suitable for use in masonry walls.

If you are in any doubt about the correct wall plugs for your wall, seek professional advice.


Failure of the product due to using incorrect fixings is the responsibility of the installer.



Important: When drilling into walls always check that there are no hidden wires or pipes etc.

Make sure that the screws and wall plugs being used are suitable for supporting your unit. Consult a qualified tradesperson if you are unsure.

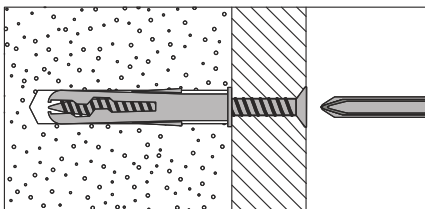
Hints:

- 1: General rule:**  Always use a larger screw and wall plug if you are not sure.
- 2:** Ensure you use the recommended drill bit to match the wall plug and hole size.
- 3:** Ensure you drill the hole horizontally, do not force the drill or enlarge the hole.
- 4:** Take extra care when drilling high walls, ceilings and ceramic tiles. Ensure wall plugs are inserted beyond the thickness of the ceramic tiles to avoid the tiles splitting or cracking.
- 5:** Ensure wall plugs are well fitted and are a tight fit in the drilled hole.

Types of walls

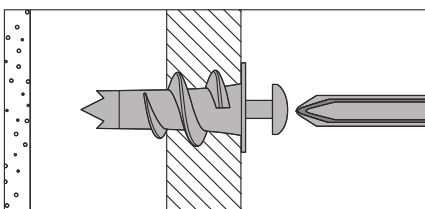
You can use one of the following types of wall plug if your walls are made of brick, breeze block, concrete, stone or wood.

No.1 "General Purpose" wall plug



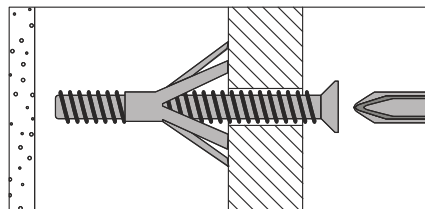
Generally aerated blocks should not be used to support heavy loads, use a specialist fitting in this case. For light loads, general purpose wall plugs can be used.

No.2 "Plasterboard" wall plug



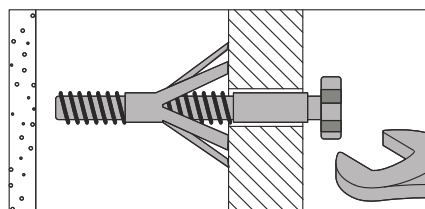
For use when attaching light loads on to plasterboard partitions.

No.3 "Cavity Fixing" wall plug



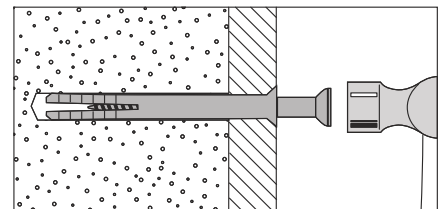
For use with plasterboard partitions or hollow wooden doors.

No.4 "Cavity Fixing-Heavy Duty" wall plug



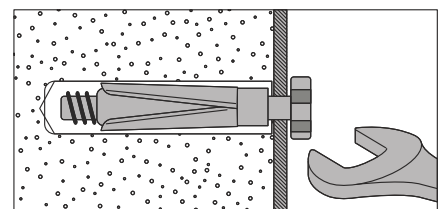
For use when fitting or supporting heavy loads such as shelving, wall cabinets and coat racks.

No.5 "Hammer Fixing" wall plug



For use with walls stuck with plasterboard. The hammer fixing allows it to be fixed to the wall rather than the plasterboard. Always check the fixing is secure to the retaining wall.

No.6 "ShieldAnchor" wall plug Heavy loads



For use with heavier loads such as TV & HiFi speakers and satellite dishes etc.



Care & Maintenance

Safety: Always check the fitting and location to ensure your safety in and around the home.

Fitting: From time to time check the fitting to ensure the wall plugs or screws do not become loose.