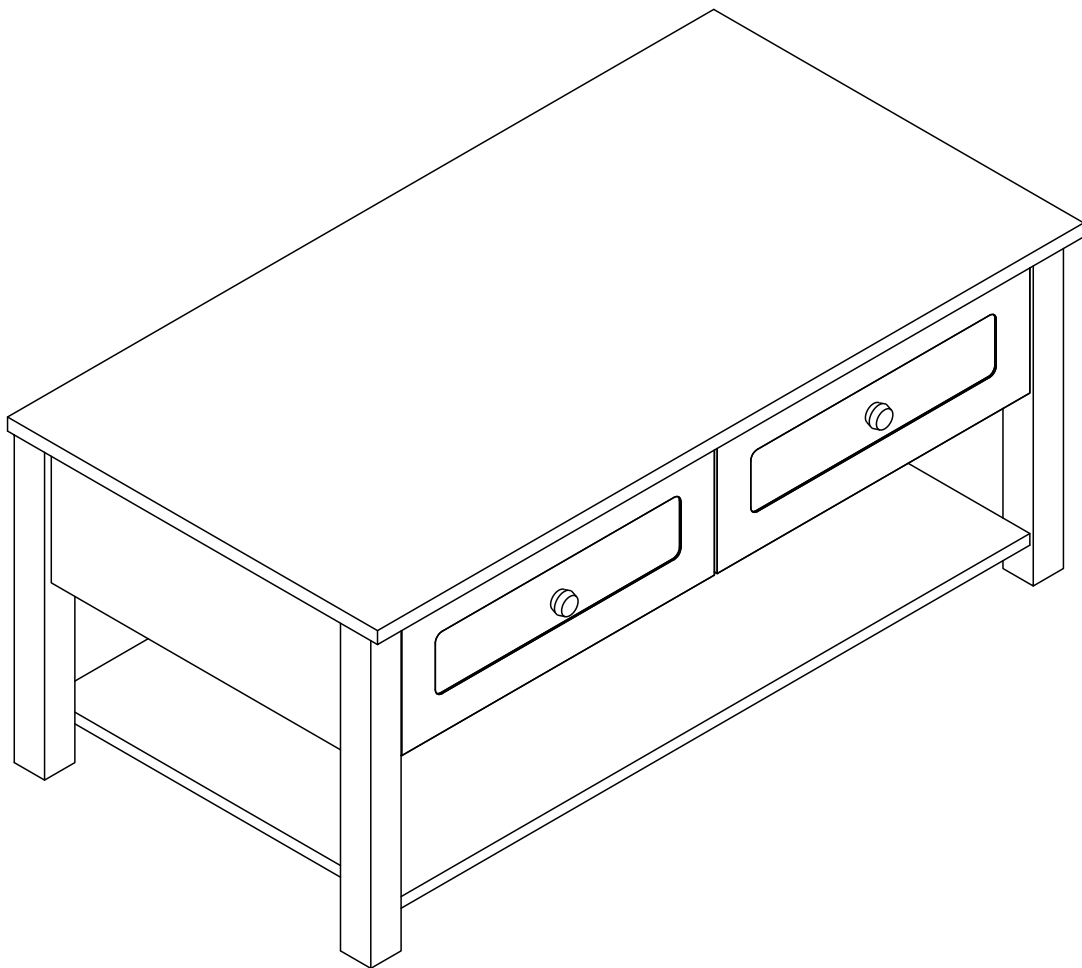


Haversham - 2 Drawer Coffee Table

Assembly Instructions - Please keep for future reference

159/7127



Dimensions

Width - 105cm

Depth - 55cm

Height - 45cm

Important – Please read these instructions fully before starting assembly

If you need help or have damaged or missing parts, call the **Customer Helpline: 08456 400 800**



Safety and Care Advice

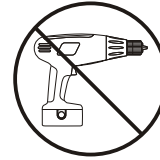
Important – Please read these instructions fully before starting assembly

- Check you have all the components and tools listed on pages 2 and 3.
- Remove all fittings from the plastic bags and separate them into their groups.
- Keep children and animals away from the work area, small parts could choke if swallowed.
- Make sure you have enough space to layout the parts before starting.
- Assemble on a soft level surface to avoid damaging the unit or your floor.

· This product contain Natural timber; you may notice some variation in the grain and colour of different component parts which is normal for furniture produced using natural wood and is not the result of any manufacturing fault.

· Do not stand or put weight on the product, this could cause damage.

· Assemble the item as close to its final position (in the same room) as possible.



· We do not recommend the use of power drill/drivers **for inserting screws**, as this could damage the unit. Only use hand screwdrivers.

· Parts of the assembly will be easier with 2 people.

· Dispose of all packaging carefully and responsibly.

Care and maintenance

· Use an appropriate furniture polish for natural wood furniture and a dry cloth to clean the product.

· Avoid placing the furniture in direct sunlight as this will cause the timber to prematurely age.

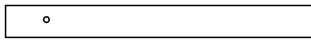
· From time to time check that there are no loose screws on this unit.

· This product should not be discarded with household waste. Take to your local authority waste disposal centre.

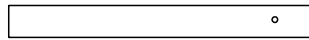
Note: if required the next page can be cut out and used as reference throughout the assembly. Keep this page with these instructions for future reference.

Components - Panels

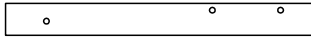
Please check you have all the panels listed below



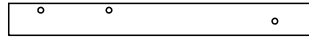
01 Right front leg (43,2 x 4,5cm)



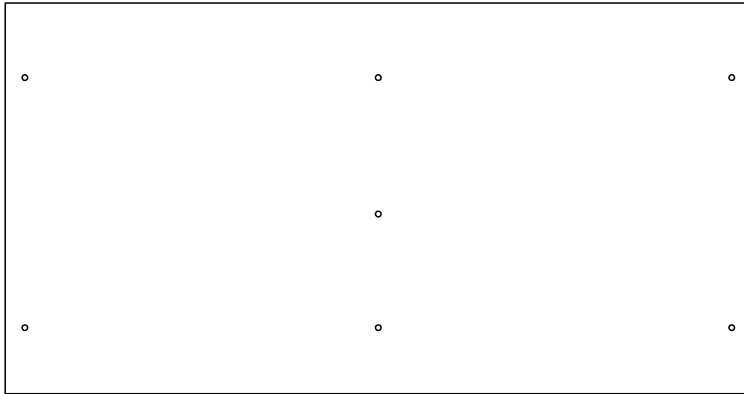
03 Left front leg (43,2 x 4,5cm)



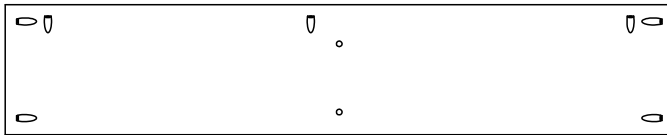
02 Right back leg (43,2 x 4,5cm)



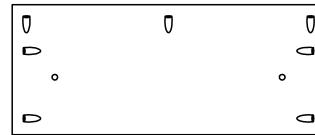
04 Left back leg (43,2 x 4,5cm)



05 Top panel (105 x 55cm)



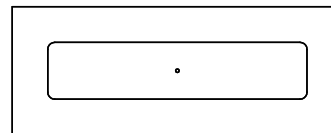
06 Back panel (94 x 18,3cm)



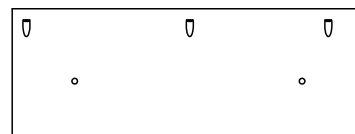
07 Side panel X2 (44 x 18,3cm)



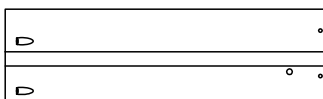
08 Shelf (94 x 52cm)



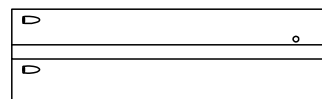
09 Drawer front (46,5 x 18cm)



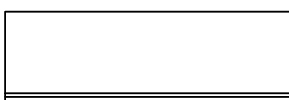
10 Middle wall (49,6 x 18,3cm)



11 Drawer right side X2 (45 x 13cm)



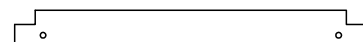
12 Drawer left side X2 (45 x 13cm)



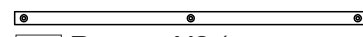
13 Drawer back X2 (41 x 13cm)



14 Drawer bottom X2 (44,8 x 42,2cm)



15 Large runner X2 (49,6 x 4,7cm)






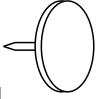

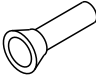
16 Runner X2 (49,6 x 1,8cm)

Components - Fittings

If you have damaged or missing components, call the Customer Helpline: **08456 400 800**

Please check you have all the fittings listed below

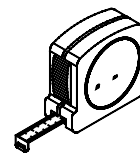
Note: The quantities below are the correct amount to complete the assembly. In some cases more fittings may be supplied than are required.

A  8,0 x 30mm Wooden dowel X 43	B  3,5 x 25mm Screw X 06	C  3,5 x 30mm Screw X 54
D  Foot pad X 4	E  Handle X 2	F  Plastic pin X 4

Tools required



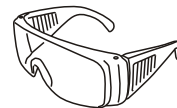
Phillips screwdriver
(medium & large)



Ruler/tape
measure

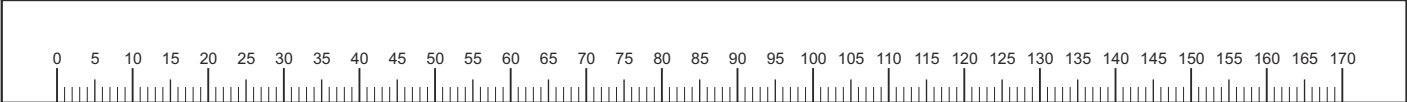


Small
hammer



Eye protection
(when using a
hammer or glue)

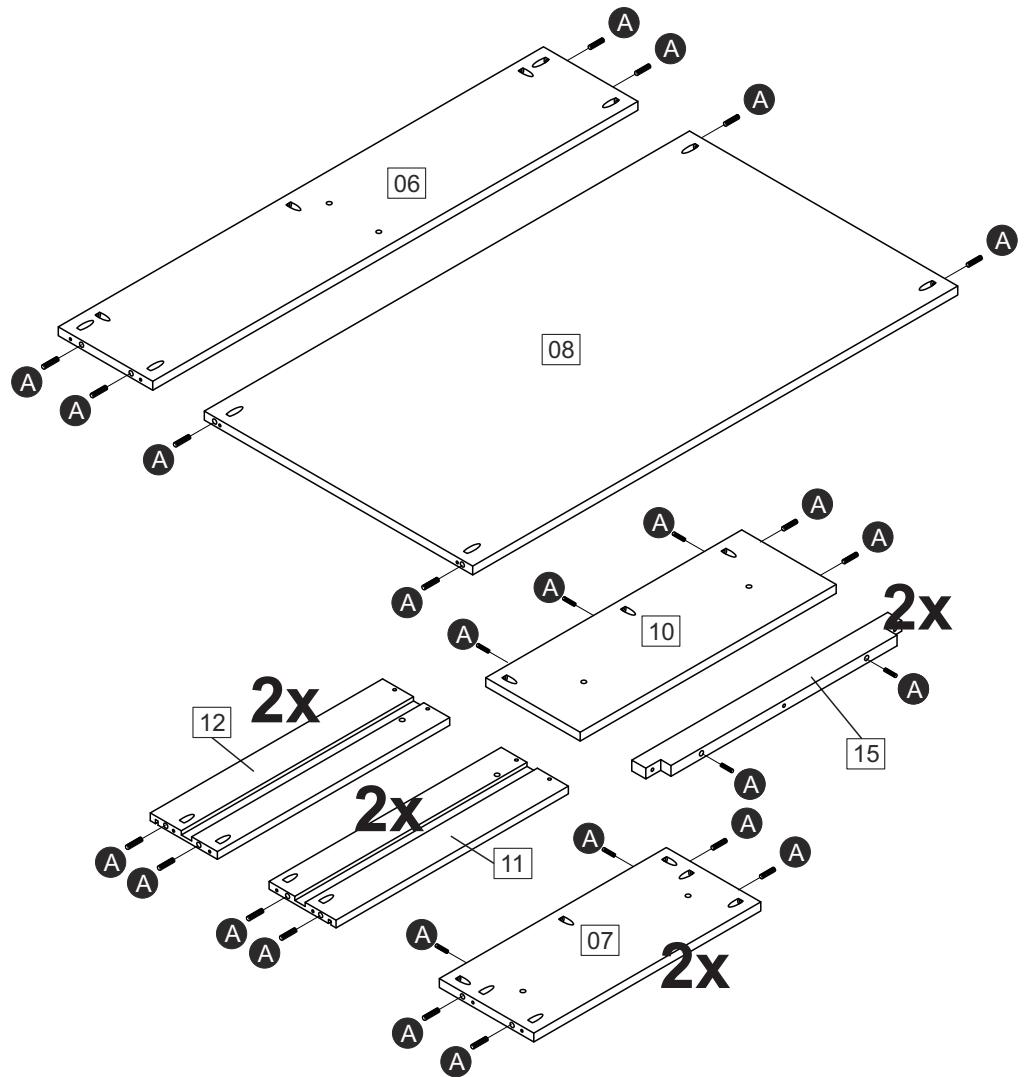
Ruler - Use this ruler to help correctly identify the screws



Assembly Instructions

Step 1

Insert wooden dowels **A** into the indicated parts .

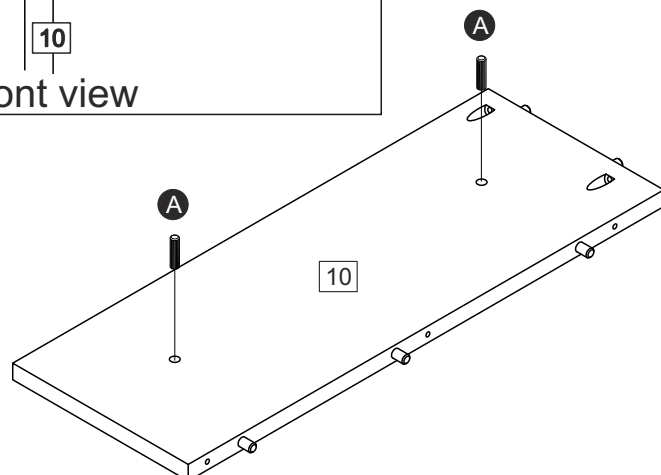
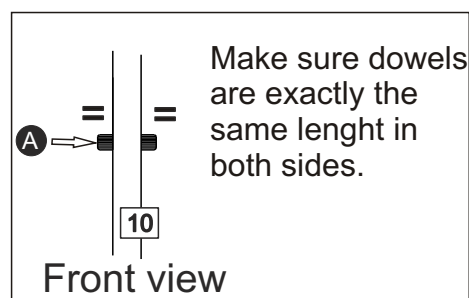


Step 2

Insert wooden dowels **A** into the indicated parts .



*Fully insert
wooden dowels.*



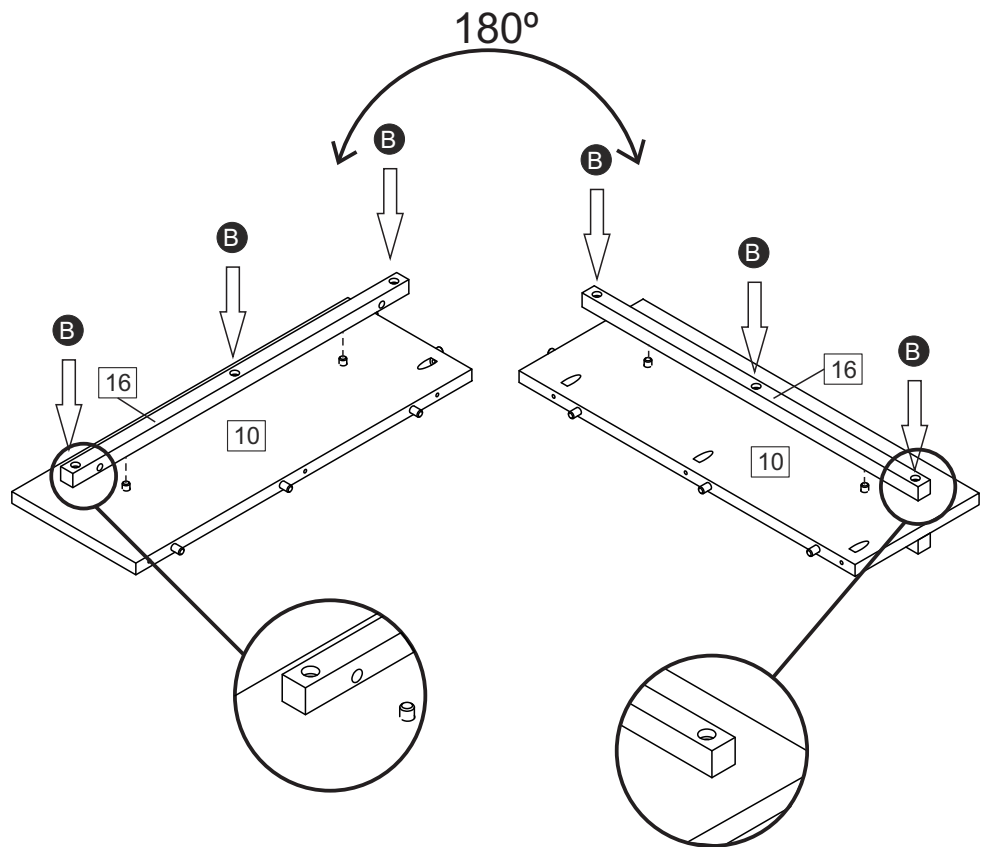
Assembly Instructions

Step 3

Attach runners **16** to the middle wall **10** using screws **B** as shown.



Make sure runners are positioned as shown.



Step 4

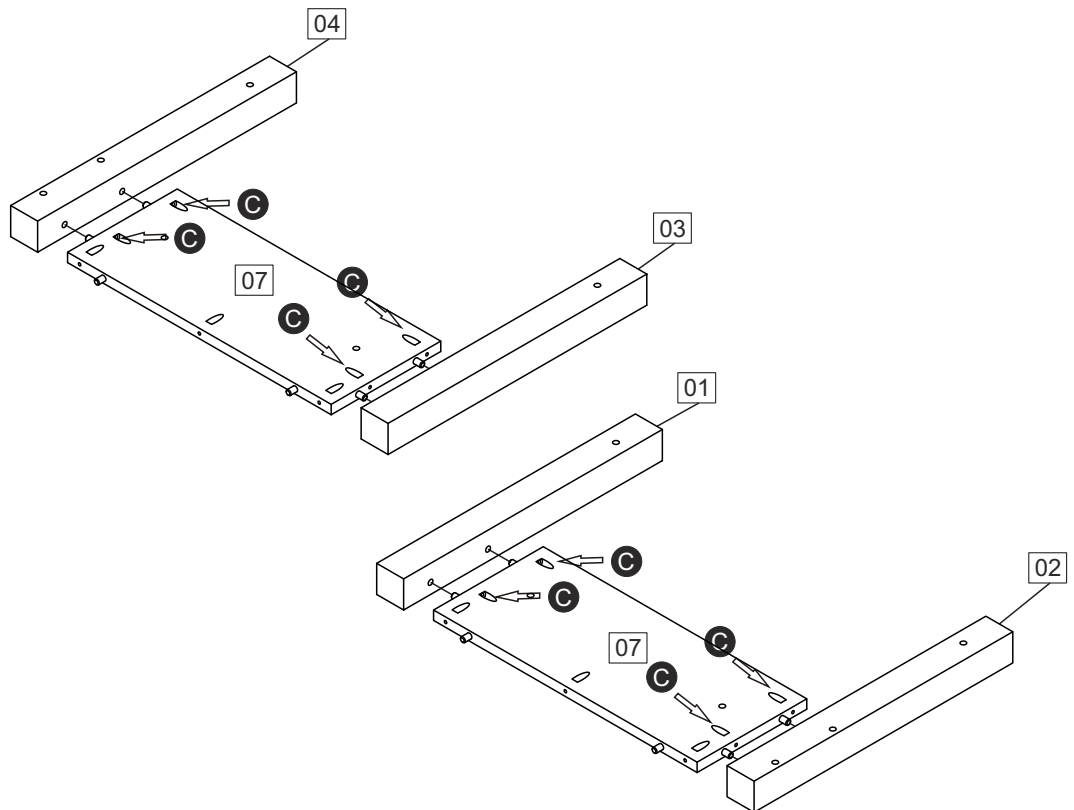
Parts **01**, **02**, **03**, and **04** are labeled for easier identification.

Attach left front leg **03** and left back leg **04** to side panel **07** using screws **C**.

Attach right front leg **01** and right back leg **02** to side panel **07** using screws **C**.



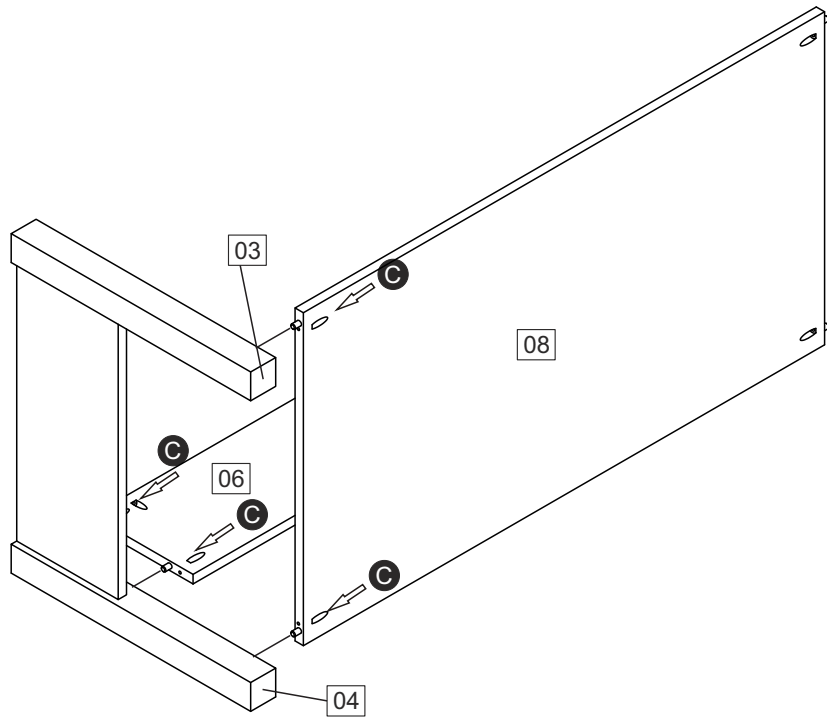
Make sure panels are positioned as shown.



Assembly Instructions

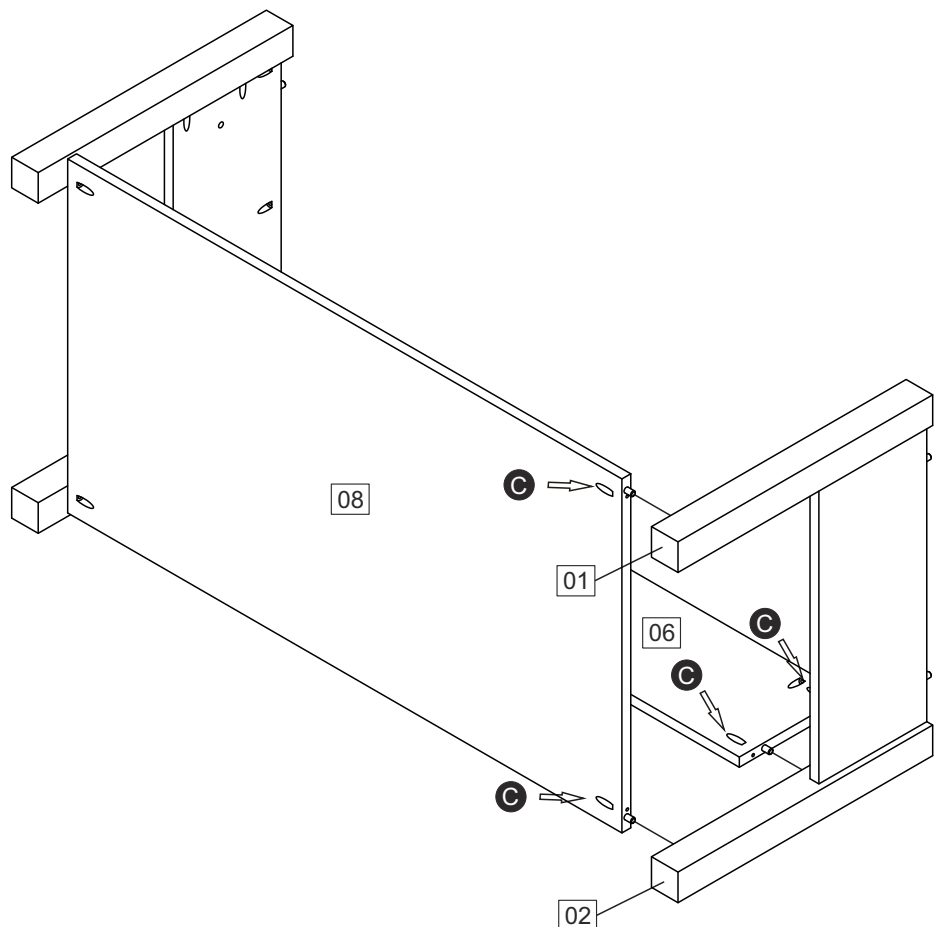
Step 5

Attach back panel 06 and shelf 08 to the side panel 07 and legs 03 and 04, using screws C.



Step 6

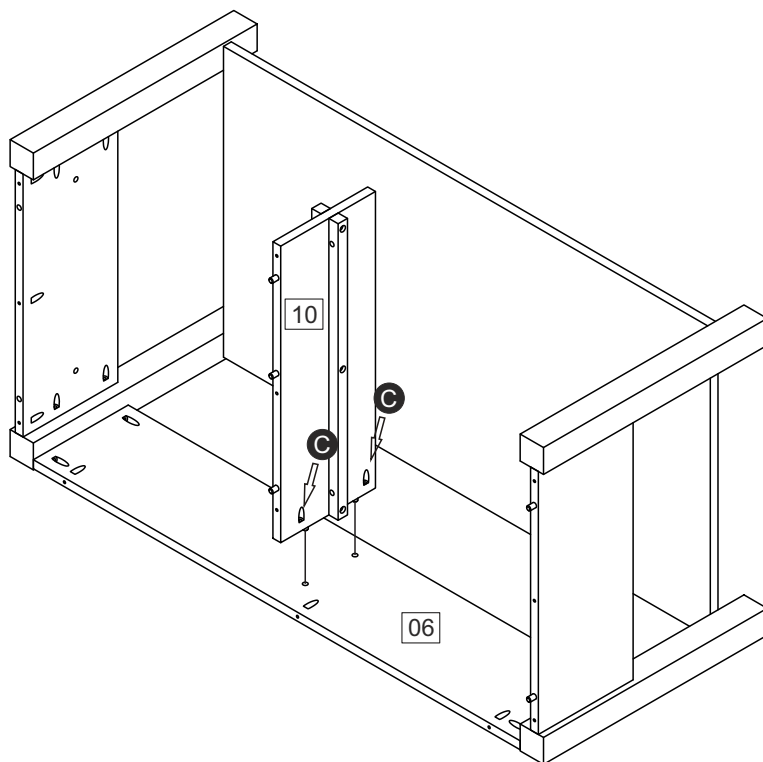
Attach side panel 07 and legs 01 and 02 to shelf 08 and back panel 06 using screws C.



Assembly Instructions

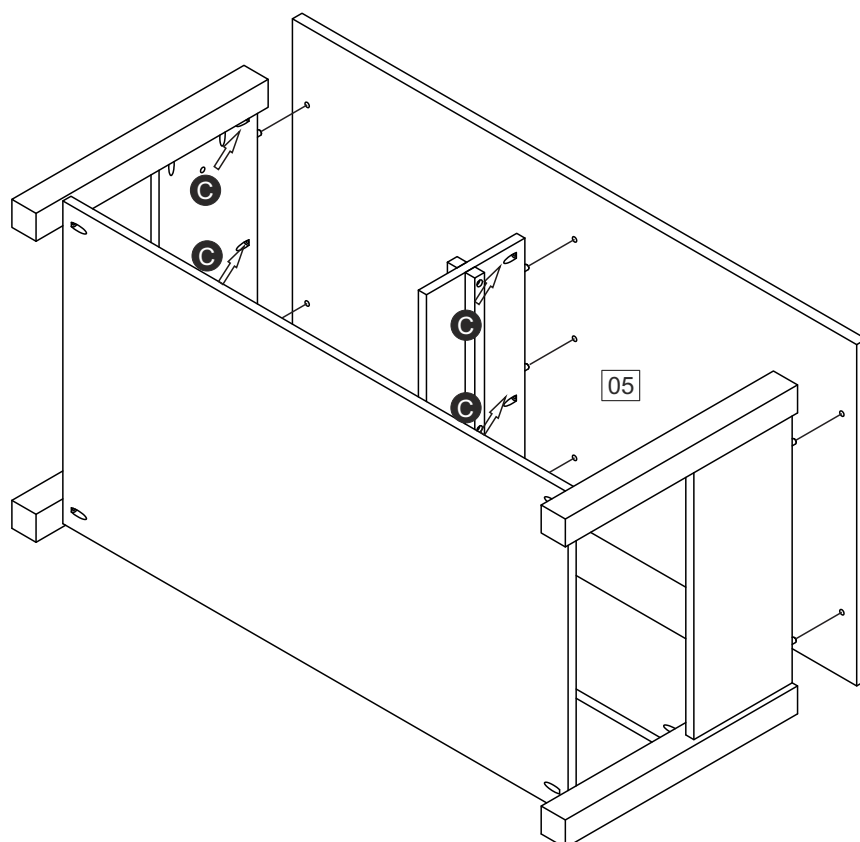
Step 7

Fix middle wall panel **10** to the assembled cabinet using screws **C**.



Step 8

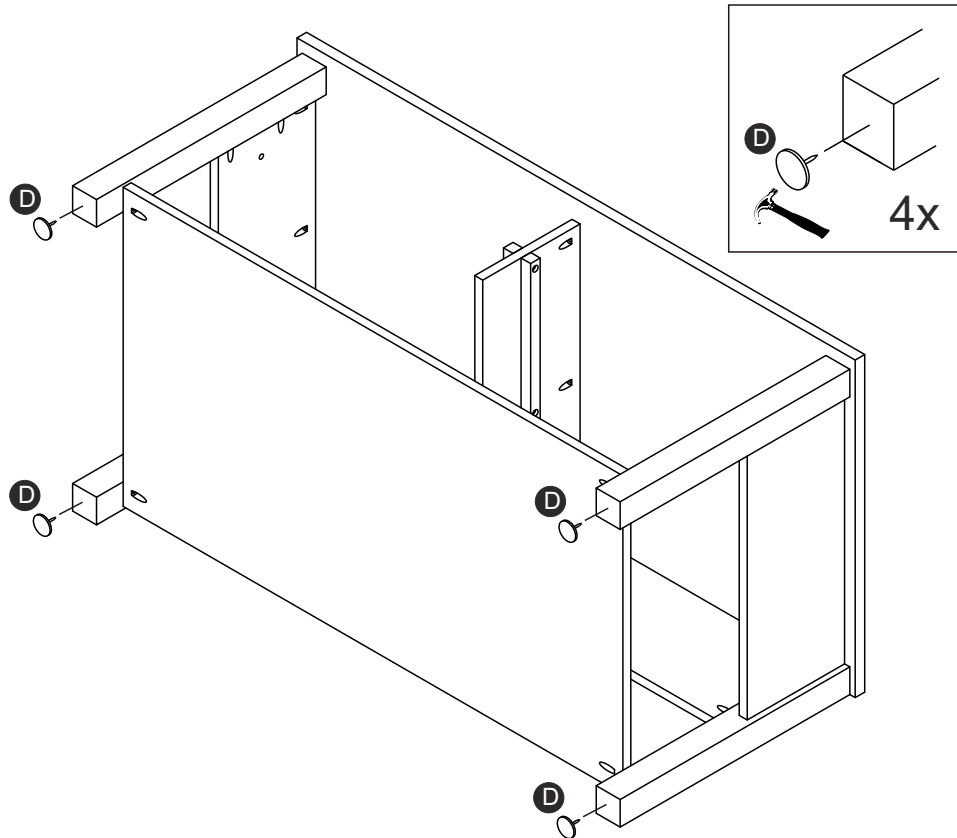
Fix top panel **05** to the side panels and middle wall using screws **C**.



Assembly Instructions

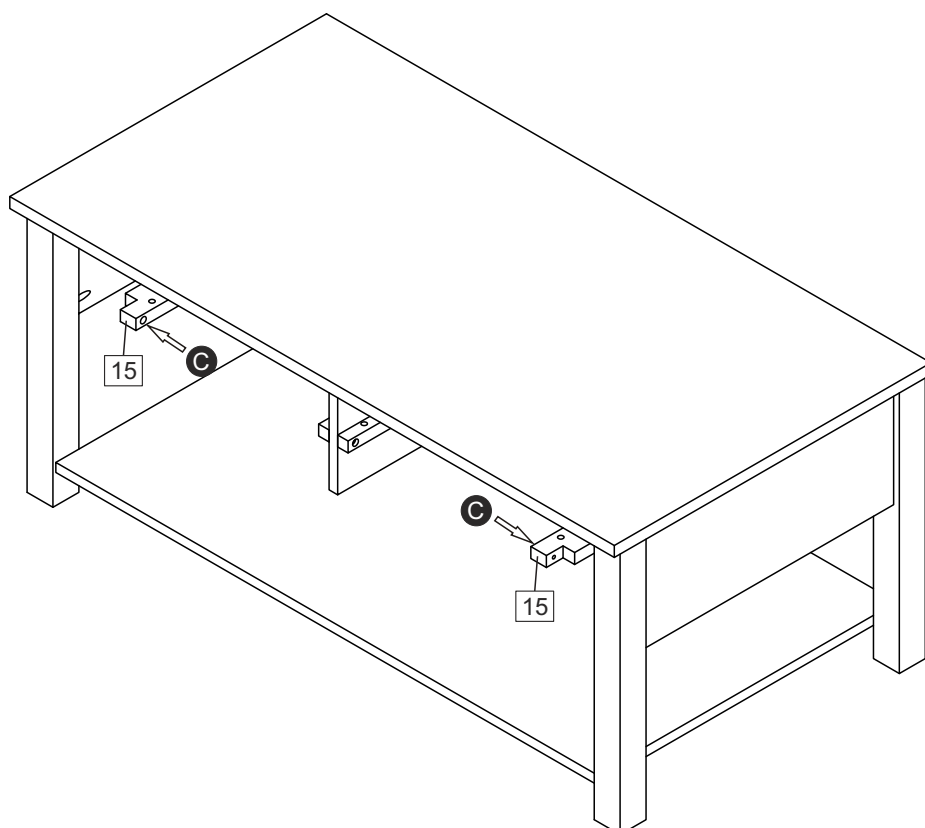
Step 9

With the help of a hammer, fix foot pads **D** as shown.



Step 10

Fix large runners **15** to side panels using screws **C**.



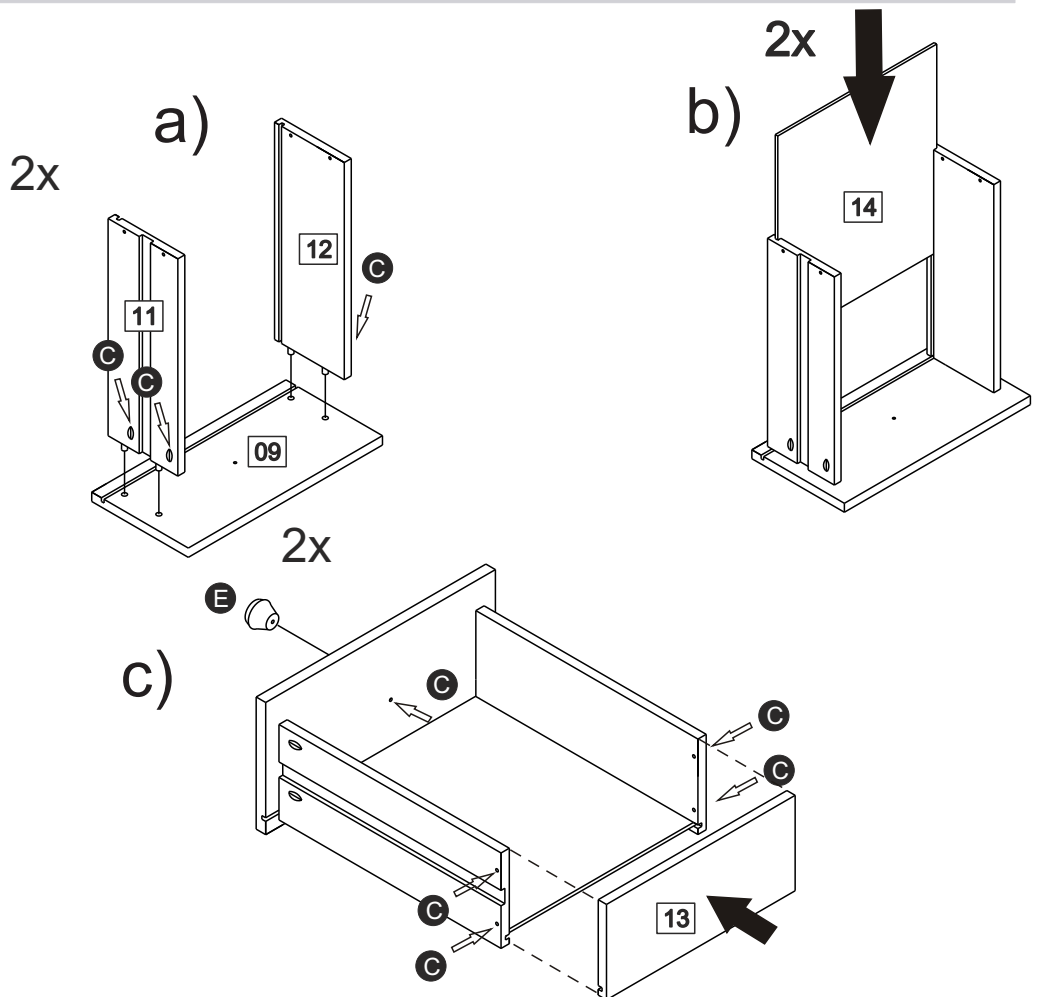
Assembly Instructions

Step 11

a) Attach drawer sides **11** and **12** to drawer front **09** using screws **C**.

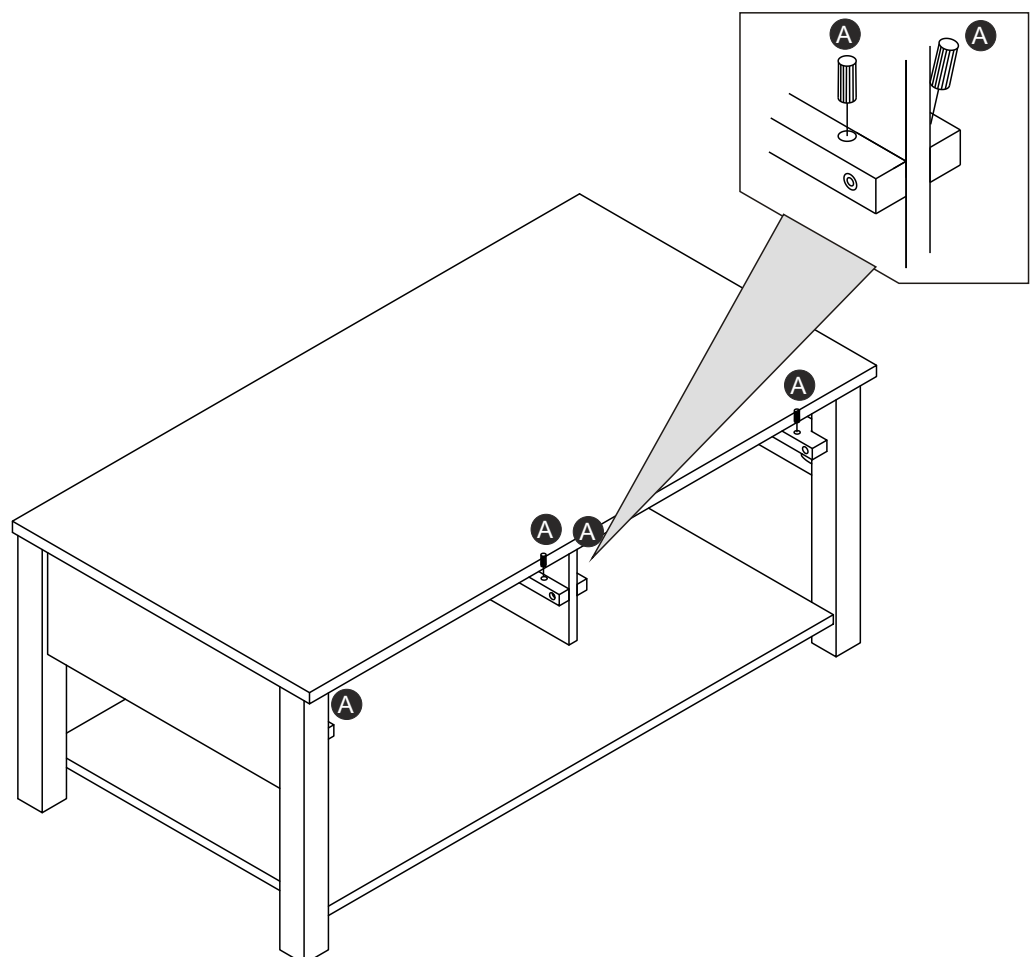
b) Slide drawer bottom **14** into slots on drawer sides

c) Attach drawer back **13** using screws **C**. Fix handle **E** using screws **C**.



Step 12

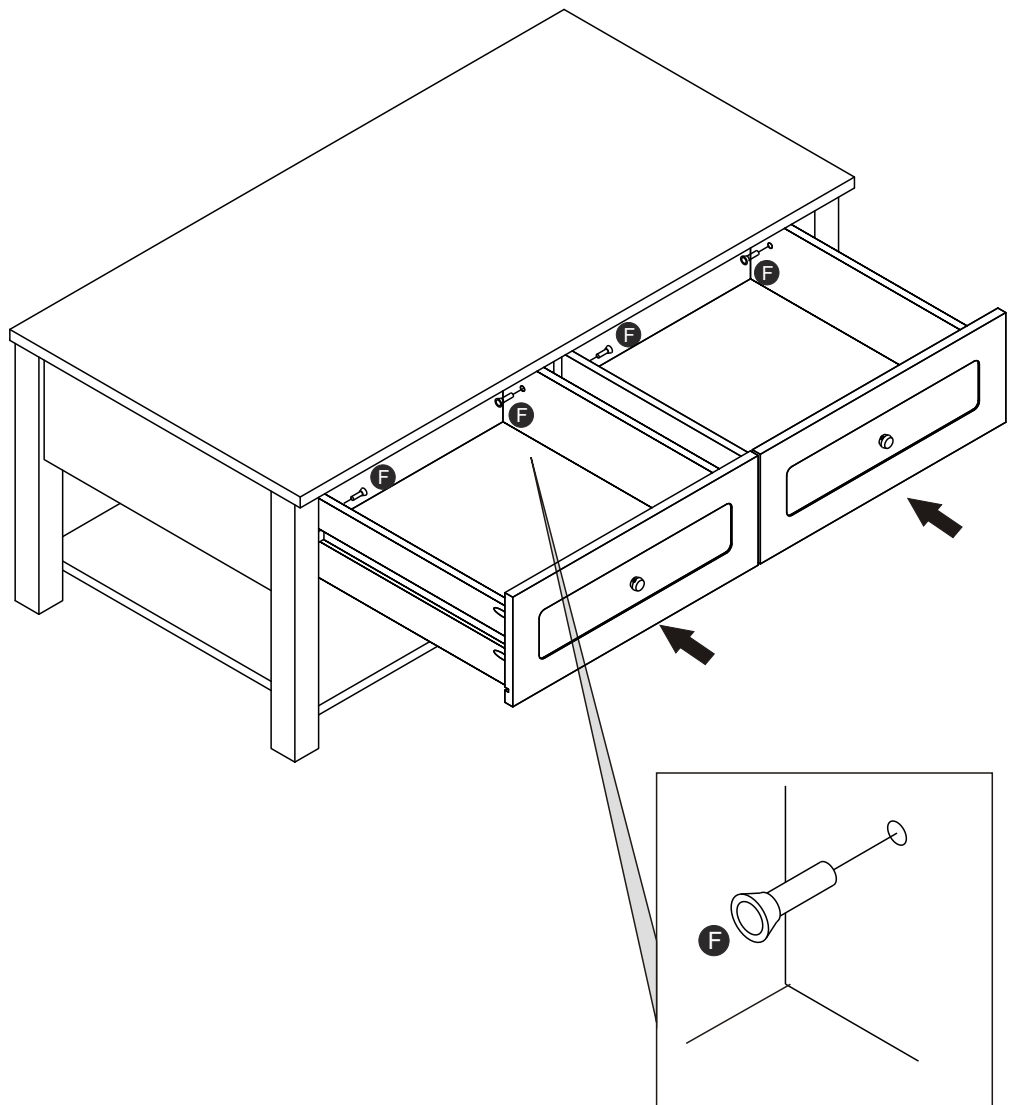
Insert dowels **A** only into the front holes of the runners.



Assembly Instructions

Step 13

Place drawers on to runners and slide past dowels fitted to runners. Then, with hammer, tap plastic pins **F** in flush with drawer side, this is a safety catch to stop drawer falling out.



Assemble is complete

If you need help or have damaged or missing parts, call the **Customer Helpline: 08456 400 800**