

# London Clock

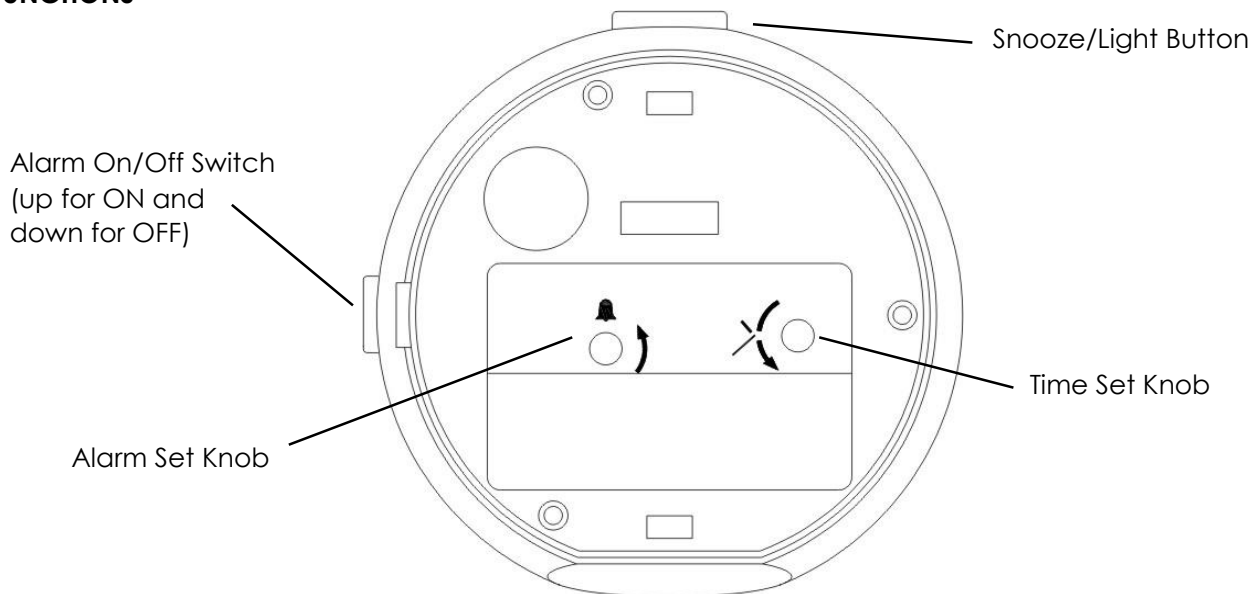
## COMPANY

Thank you for your purchase of this alarm clock. Please read these instructions carefully and keep the manual for future reference.

### INSTALLATION

1. Place your clock face down on a flat and soft surface.
2. Remove the battery cover at the back of the clock.
3. Insert 1 x new AA batteries into the battery compartment by observing the "+" and "-" polarity.
4. Replace the battery cover.

### FUNCTIONS



### TO SET THE TIME

1. Turn the "Time Set Knob" on the back of the clock in an anti-clockwise direction to the correct time.

### TO SET THE ALARM

1. Turn the "Alarm Set Knob" on the back of the clock in an anti-clockwise direction to the desired alarm time.

### TO TURN THE ALARM ON AND OFF

1. To activate the alarm, move the "Alarm On/Off Switch" to the ON position (UP).
2. When the alarm sounds, move the "Alarm On/Off Switch" to the OFF position (DOWN) to deactivate the alarm.

**Please note that when the "Alarm On/Off Switch" is in the ON position, the alarm will sound at both AM and PM times.**

### TO ACTIVATE THE SNOOZE FUNCTION

1. When the alarm is sounding, press the "Snooze/Light" button on the top of the clock to snooze the alarm. This will snooze the alarm for 5 minutes.

### TO ACTIVATE THE LIGHT FUNCTION

1. To activate the light function, press the "Snooze/Light" button on the top of the clock.

**Please note that the light will only remain on while the "Light" button is being pressed.**

### Care instructions


- Wipe clock with a soft dry cloth only.
- Replace batteries every 12 months or when the stock stops.

# London Clock C O M P A N Y

## Battery safety & disposal

- Dispose of batteries and electrical products responsibly at local authority household waste recycling facility.
- **DO NOT dispose of batteries in a fire as the batteries may explode or leak.**
- **Only use** 'AA' 1.5V batteries in this clock.
- Never use rechargeable batteries.
- Replace all batteries at the same time; NEVER mix new and used batteries, different types or brands.
- Never try to dismantle batteries.
- Never short circuit batteries.
- Exhausted batteries must be removed from the clock promptly.
- Remove batteries from the product before extended storage.



This symbol  indicates that this product, and any batteries, should not be disposed of in normal household waste but taken to appropriate local recycling centres, where available. Never throw batteries in a fire or attempt to open outer casing.