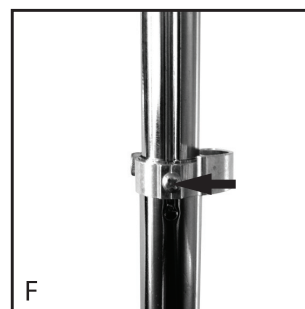
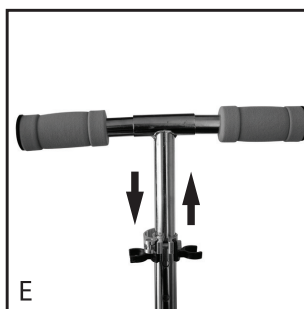
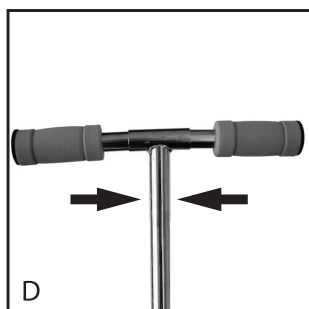


To unfold the scooter

1. open clamp(See picture A.)
2. Pull the plastic lever upwards to unlock the system (See picture B.)
3. When the scooter is completely open, release the plastic lever to lock the system, then turn the screw clockwise until it is tight enough to close the buckle(see picture C.)
4. When folding the scooter, ensure that the front wheel is at 180° angle to the scooter. if this is not done. it will not close properly. Keep fingers away from all moveable parts on the scooter as fingers could get trapped.
5. Alignment Screws. The Screw on the clamp that adjusts the height of the handle bars must not be taken out. this screw is to align the handle bars on the front wheel. If you lose this screw, do not use until the screw has been replaced.



Handles

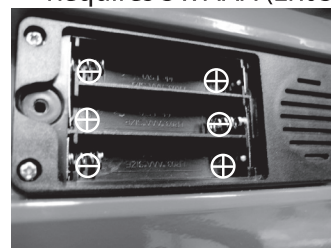
6. To fit grips, insert handle bars into the T-bar and make sure that the spring button pops out to secure in position on the T-bar(see picture D.)
7. To adjust the stem, release the quick lock and press the spring button, then adjust the handle bar to the height. The button must then pop into the fixation hole. Tighten the quick lock to secure the handle bar.(see picture E.)
8. After use, simply loosen the quick lock, press the spring button and push down the handle bar. Tighten the quick lock to secure the handle bar. (see picture F.)

To change batteries

Carefully remove the battery compartment cover using a screw driver and insert batteries, ensuring correct polarity. Replace and secure cover by re tightening screw.



Requires 3 x AAA (LR03)



Battery warning

1. Should not connect to more than the recommended number of battery;
2. Non-rechargeable batteries are not to be recharged;
3. Rechargeable batteries are only to be charged under adult supervision;
4. Rechargeable batteries are to be removed from the scooter before being charged;
5. Different types of batteries or new and used batteries are not to be mixed;
6. Batteries are to be inserted with the correct polarity;
7. Exhausted batteries are to be removed from the scooter;
8. The supply terminals are not to be short-circuited.

CAUTION

- Never ride the scooter without tightening the folding mechanism
- Check all clamping devices for tightness and foot brake prior to riding

Please retain for future reference