

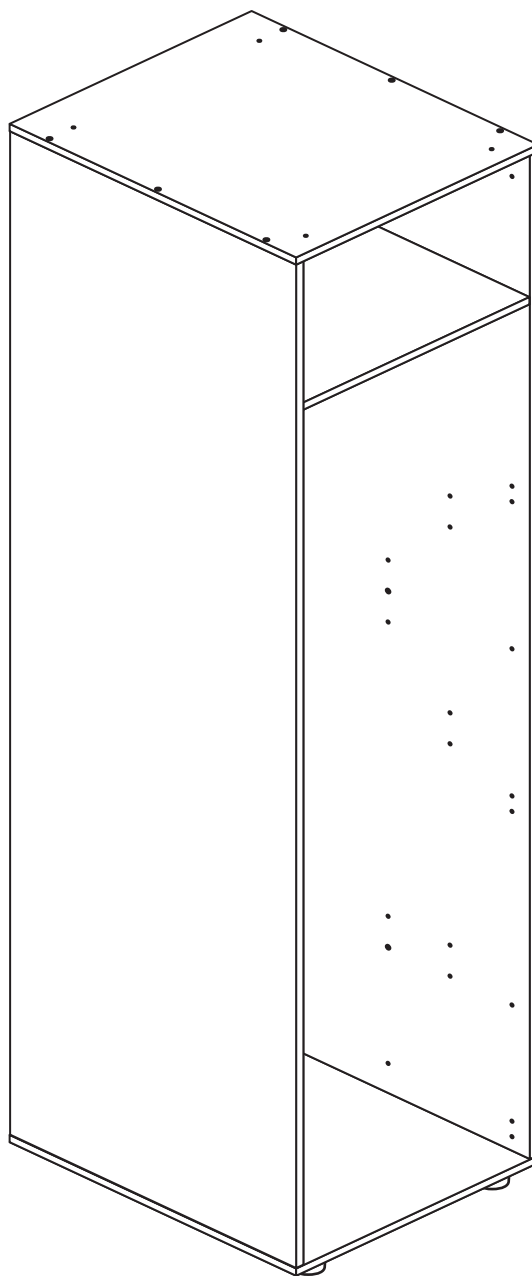
# Atlas - Single Robe Carcass

Assembly Instructions - Please keep for future reference

152/9432

157/2537

157/9107



## Dimensions

Width - 50cm

Depth - 59.5cm

Height - 212.5cm



**MADE IN  
BRITAIN**

**Important** - Please read these instructions fully before starting assembly

If you need help or have damaged or missing parts, call the **Customer Helpline: 08456 400800**



# Safety and Care Advice

**Important - Please read these instructions fully before starting assembly**

- **Warning:** This unit weighs approximately 34kgs. Please lift with care.

- Check you have all the components and tools listed on pages 2 and 3.

- Remove all fittings from the plastic bags and separate them into their groups.

- Keep children and animals away from the work area, small parts could choke if swallowed.

- Parts of the assembly will be easier with 2 people.

- Make sure you have enough space to layout the parts before starting.

- Do not stand or put weight on the product, this could cause damage.

- Assemble the item as close to its final position (in the same room) as possible.

- Assemble on a soft level surface to avoid damaging the unit or your floor (use opened out unit carton).



- We do not recommend the use of power drill/drivers **for inserting screws**, as this could damage the unit. Only use hand screwdrivers.

- **Safety note:** It is recommended that this unit is secured to a wall using the bracket supplied.

- Dispose of all packaging carefully and responsibly.

## Care and maintenance

- Only clean using a damp cloth and mild detergent, do not use bleach or abrasive cleaners.

- From time to time check that there are no loose screws on this unit.

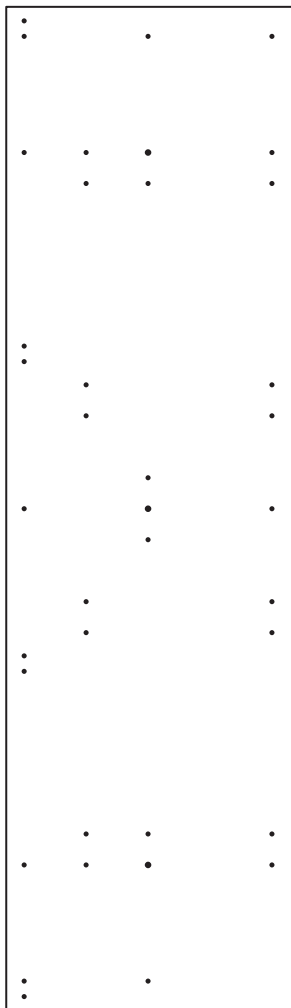
- This product should not be discarded with household waste. Take to your local authority waste disposal centre.

**Note:** If required the next page can be cut out and used as reference throughout the assembly. Keep this page with these instructions for future reference.

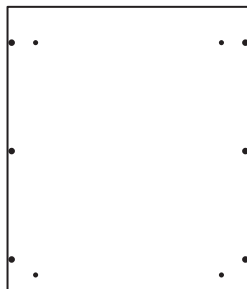
# Components - Panels

If you have damaged or missing components, call the **Customer Helpline: 08456 400800** quoting the reference numbers below

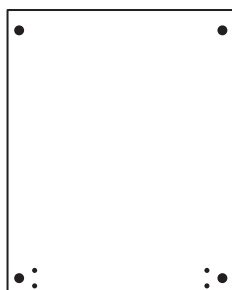
Please check you have all the panels listed below



**1** Universal End (D2396A)  
(2074 x 591mm) x 2



**2** Top/Base (D2399A)  
(500 x 592mm) x 2



**3** Fixed Shelf (D2401A)  
(468 x 590mm)



**4** Hanging Rail (FHR460)  
(460mm long) x 2



**5** Back (X2100-494)  
(2100 x 494mm)

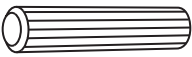
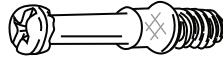

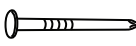






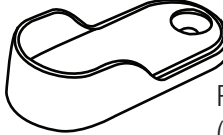
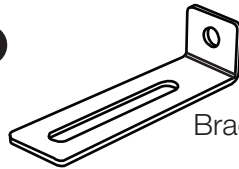
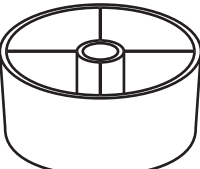
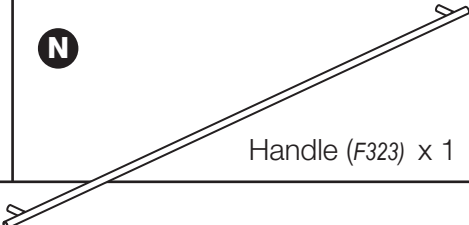
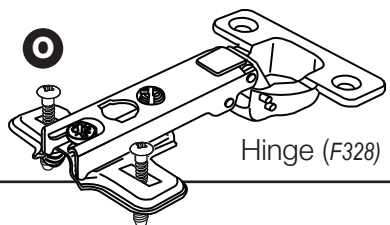


# Components - Fittings

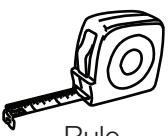
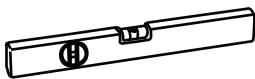

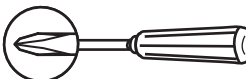

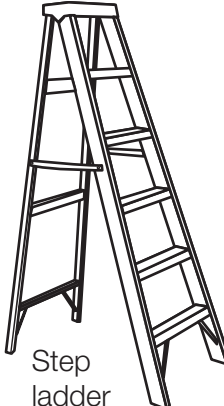
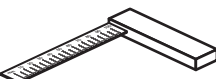


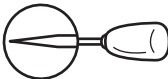
If you have damaged or missing components, call the **Customer Helpline: 08456 400800** quoting the reference numbers below

Please check you have all the fittings listed below

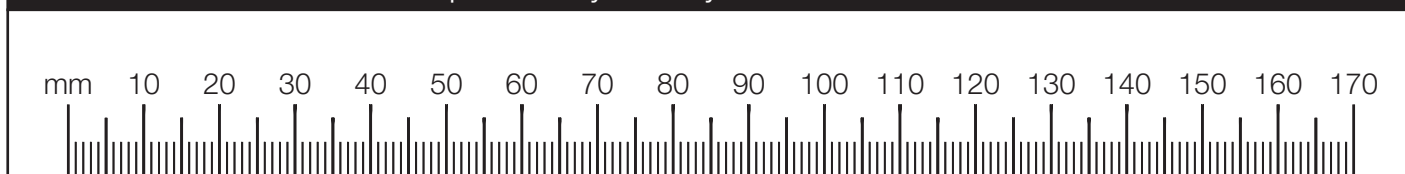
**Note:** The quantities below are the correct amount to complete the assembly. In some cases more fittings may be supplied than are required.

<b>A</b>  Wooden dowel (F22) x 2	<b>B</b>  Metal dowel (F901) x 4	<b>C</b>  Large locking nut (F900) x 4
<b>D</b>  Nail (F51) x 33	<b>E</b>  Allen Key (F36) x 1	<b>F</b>  50mm Screw (F49) x 12
<b>G</b>  25mm Screw (F50) x 4	<b>H</b>  19mm Screw (F461) x 2	<b>I</b>  13mm Screw (F79) x 1
<b>J</b>  13mm Screw (F63) x 16	<b>K</b>  Rail Holder (F891) x 4	<b>L</b>  Bracket (F327) x 1
<b>M</b>  Feet (F854) x 4	<b>N</b>  Handle (F323) x 1	<b>O</b>  Hinge (F328) x 4

## Tools required

 Rule	 Spirit level	 Eye protection (when using a hammer or drill)	 Cross-head screwdriver	 Electric drill (only use when drilling into walls)	 Step ladder
 Square	 Scissors	 Hammer	 Bradawl		

Ruler - Use this ruler to help correctly identify the screws

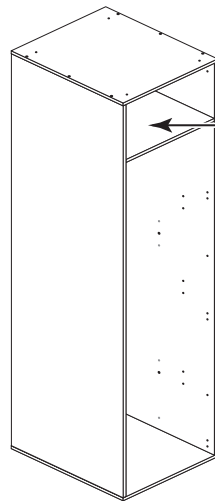


# Assembly Instructions

If you have damaged or missing components, call the **Customer Helpline: 08456 400800** quoting the reference numbers below

## Step 1

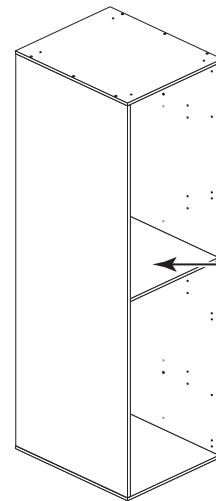
**Are you fitting 1 or 2 Hanging Rails or, an Internal Chest or, a Shelf Pack?**



The fixed shelf will need to go here if you are fitting the following:-

Only 1 Hanging Rail  
or  
An Internal Chest  
or  
A Shelf Pack

**Follow Steps 2 and 3.**



The fixed shelf will need to go here if you are fitting the following:-

2 Hanging Rails

**Follow Steps 4 and 5.**

## Step 2

### Prepare the left end

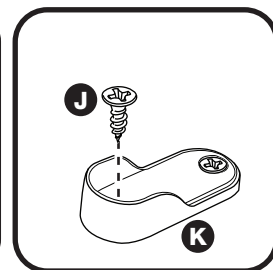
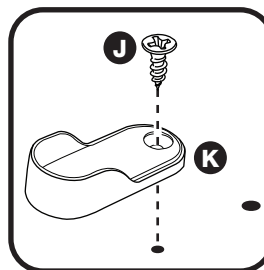
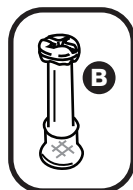
Refer to step 1 and, if you have chosen to fit 1 hanging rail or, an internal chest or, a shelf pack, screw 2 metal dowels **B** into the left end **1**.

**Note:** Tighten the metal dowels up fully against the panels.

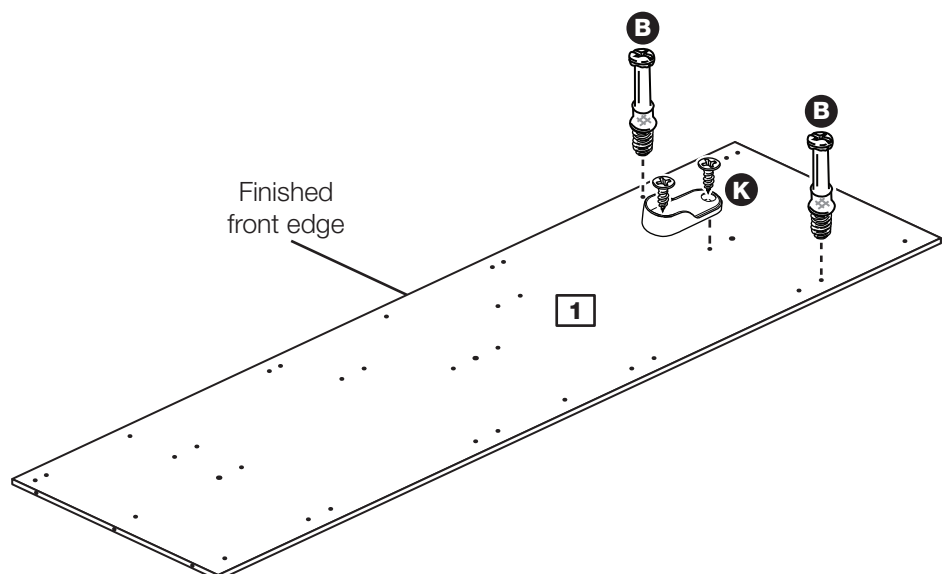
**Note:** If you have purchased a shelf pack, do not fit the rail holder.

To fit the rail holder **K**, screw through its top hole with screw **J** and into the shallow mark hole drilled in the left end **1**. Make sure that it is fitted straight, in line with the panel edges and then fit another screw **J**

Only follow Steps 2 and 3 if you are only fitting 1 hanging rail or, an internal chest or, a shelf pack. If you are fitting 2 hanging rails, follow Step 4 and 5.



**Note:** If you have purchased a shelf pack, do not fit the rail holder.



# Assembly Instructions

## Step 3

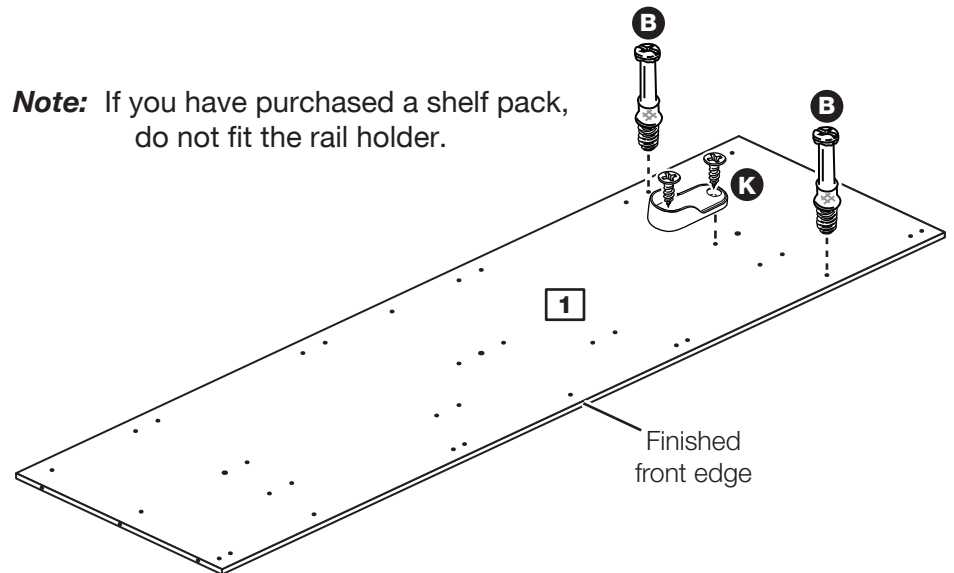
### Prepare the right end

Refer to step 1 and, if you have chosen to fit 1 hanging rail or, an internal chest or, a shelf pack, screw 2 metal dowels **B** into the right end **1**.

**Note:** Tighten the metal dowels up fully against the panels.

To fit the rail holder **K**, screw through its top hole with screw **J** and into the shallow mark hole drilled in the right end **1**. Make sure that it is fitted straight, in line with the panel edges and then fit another screw **J** using the lower hole.

Only follow Steps 2 and 3 if you are only fitting 1 hanging rail or, an internal chest or, a shelf pack. If you are fitting 2 hanging rails, follow Step 4 and 5.



## Step 4

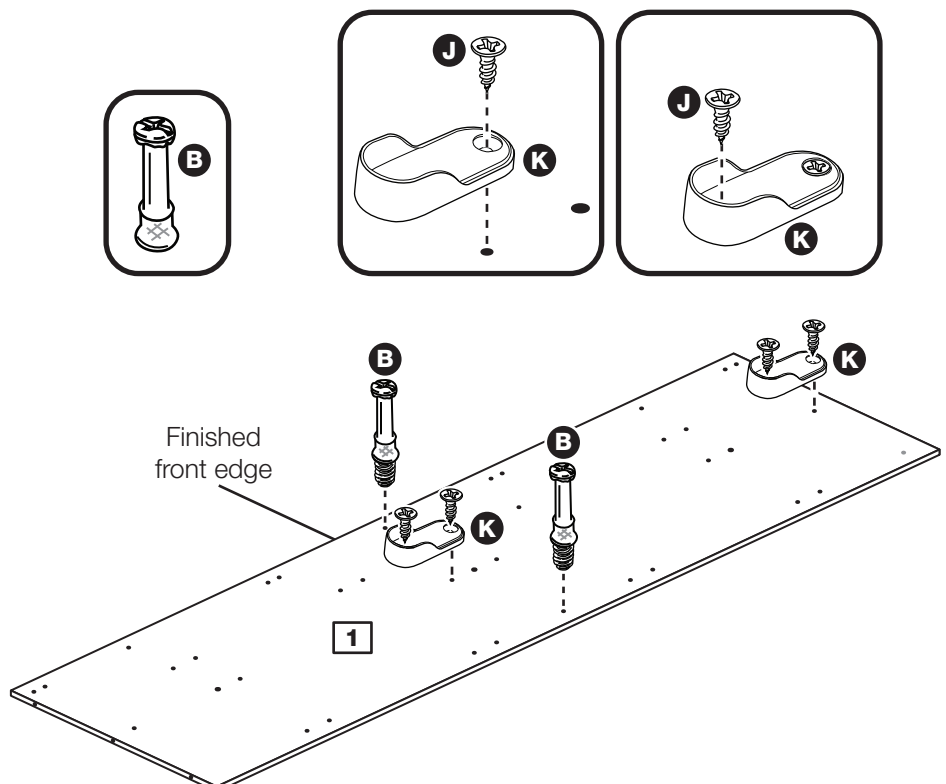
### Prepare the left end

Refer to step 1 and, if you have chosen to fit 2 hanging rails, screw 2 metal dowels **B** into the left end **1**.

**Note:** Tighten the metal dowels up fully against the panels.

To fit the 2 rail holders **K** screw through the top hole with screw **J** and into the shallow mark hole drilled in the left end **1**. Make sure that they are fitted straight, in line with the panel edges and then fit another screw **J** using the lower hole.

Only follow Steps 4 and 5 if you are fitting 2 hanging rails. If you are just fitting 1 rail, follow Step 2 and 3.



# Assembly Instructions

## Step 5

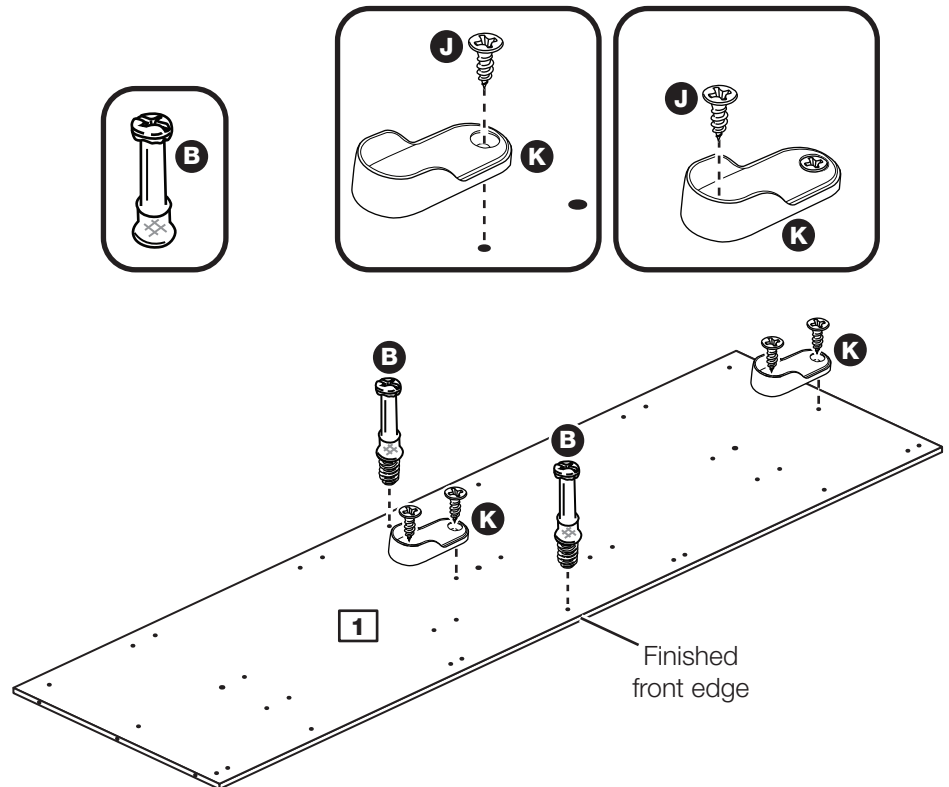
### Prepare the right end

Refer to step 1 and, if you have chosen to fit 2 hanging rails, screw 2 metal dowels **B** into the right end **1**.

**Note:** Tighten the metal dowels up fully against the panels.

To fit the 2 rail holders **K** screw through the top hole with screw **J** and into the shallow mark hole drilled in the right end **1**. Make sure that they are fitted straight, in line with the panel edges and then fit another screw **J** using the lower hole.

Only follow Steps 4 and 5 if you are fitting 2 hanging rails.  
If you are just fitting 1 rail, follow Step 2 and 3.



## Step 6

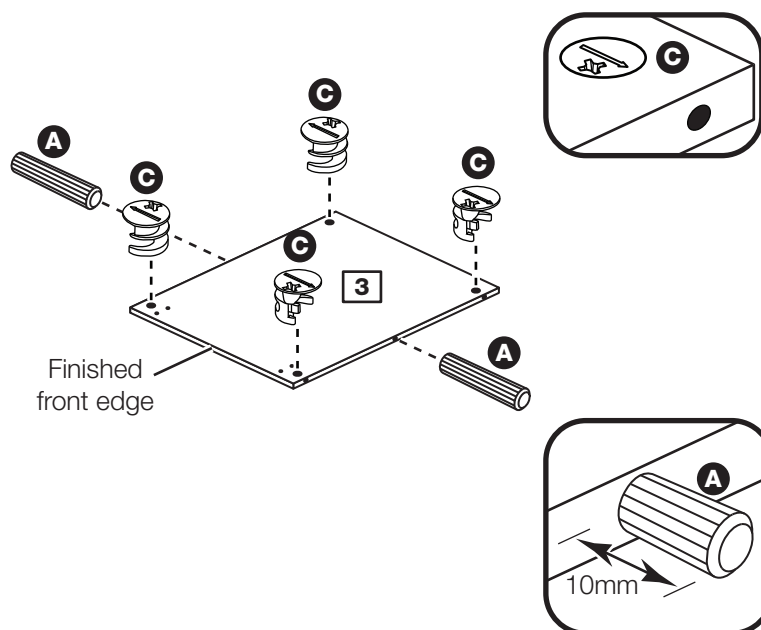
### Prepare the fixed shelf

Tap 2 wooden dowels **A** into the fixed shelf **3**.

**Note:** Wooden dowels **must not** stick out from the edge by more than 10mm or they may damage other panels.

Insert 4 large locking nuts **C** into the fixed shelf **3**.

**Note:** The arrow on the locking nut **must** point towards the hole in the edge of the panel.



# Assembly Instructions

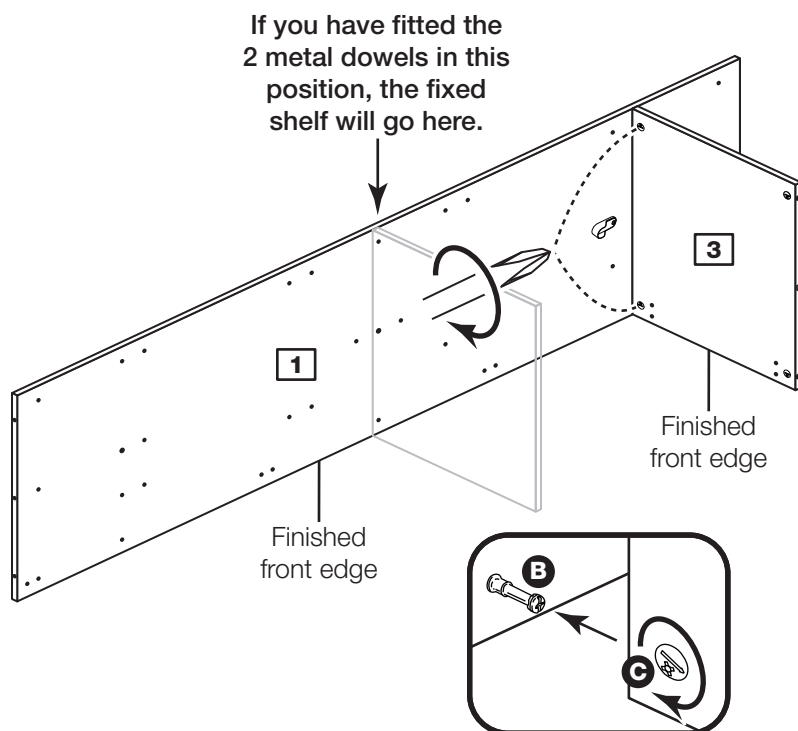
## Step 7

### Join the fixed shelf to the right side

Push the fixed shelf **3** onto the right side **1**.

Use a screwdriver to tighten the 2 large locking nuts **C** fitted to the fixed shelf **3**.

**Note:** Turn the large locking nuts **C** as far as they will go - more than 1/2 a turn.



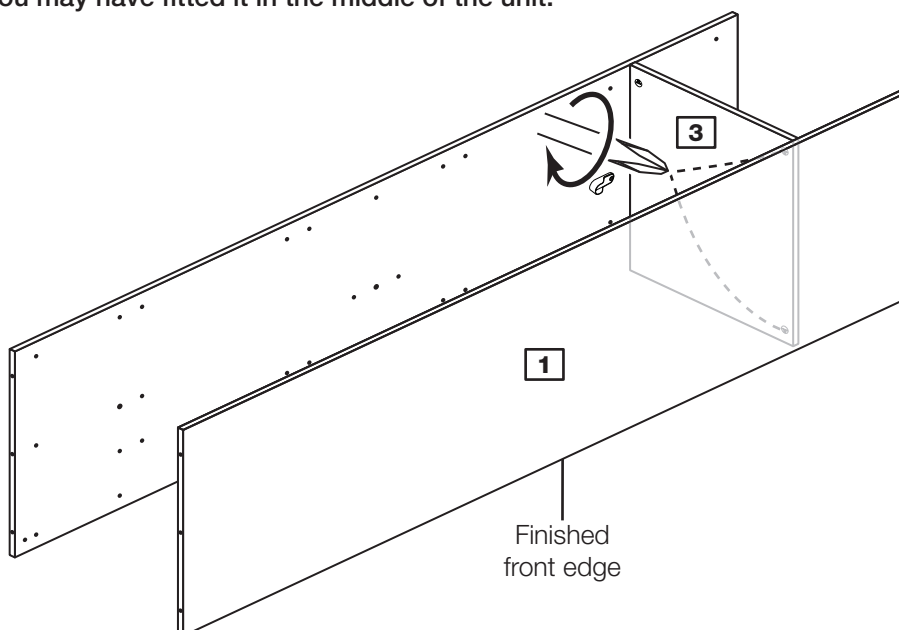
The following diagrams will show the fixed shelf at the top end of the unit.  
You may have fitted it in the middle of the unit.

## Step 8

### Fit the left side

Push the left side **1** onto the fixed shelf **3**.

Use a screwdriver to tighten the 2 large locking nuts **C** fitted to the fixed shelf **3**.



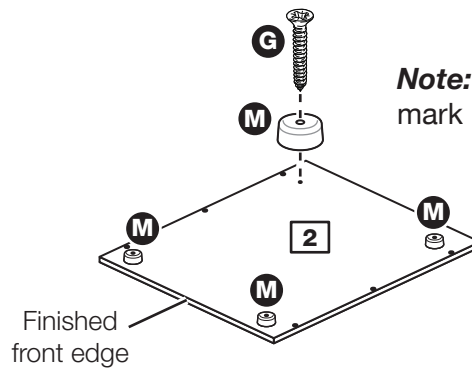


# Assembly Instructions

## Step 9

### Prepare the base

Screw the 4 feet **M** into the shallow mark holes on the base **2** using screws **G**.

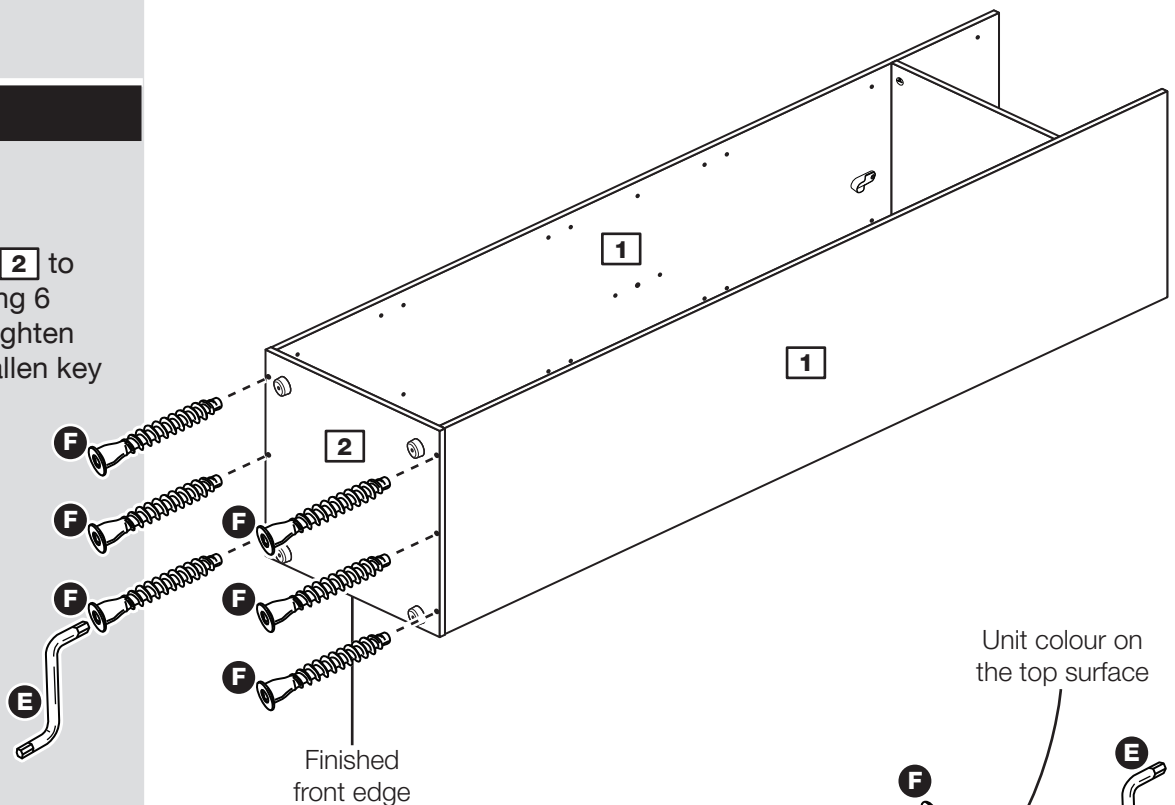


**Note:** Use the shallow mark holes to fit the feet.

## Step 10

### Fit the base

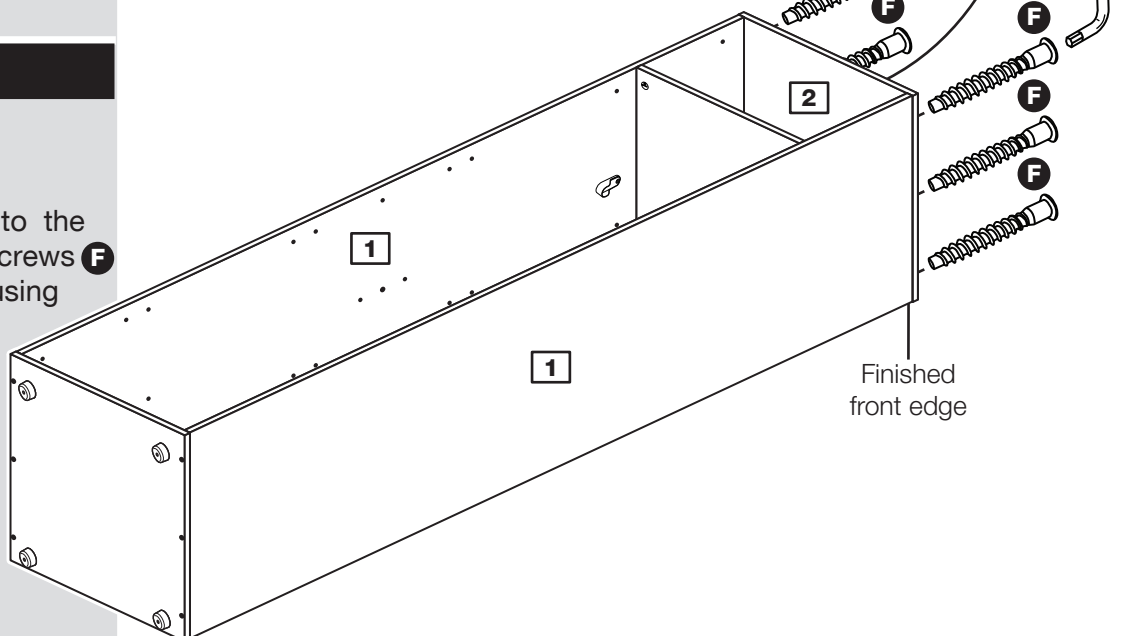
Attach the base **2** to the ends **1** using 6 screws **F** and tighten them using the allen key **E**.



## Step 11

### Fit the top

Attach the top **2** to the ends **1** using 6 screws **F** and tighten them using the allen key **E**.



# Assembly Instructions

## Step 12

### Fit the back

**a:** Square up the unit by making sure that measurement **x** to **x** equals **y** to **y**.

**b:** Place the back **5** onto the unit.

Nail **D** around the outside edges of the back **5**.

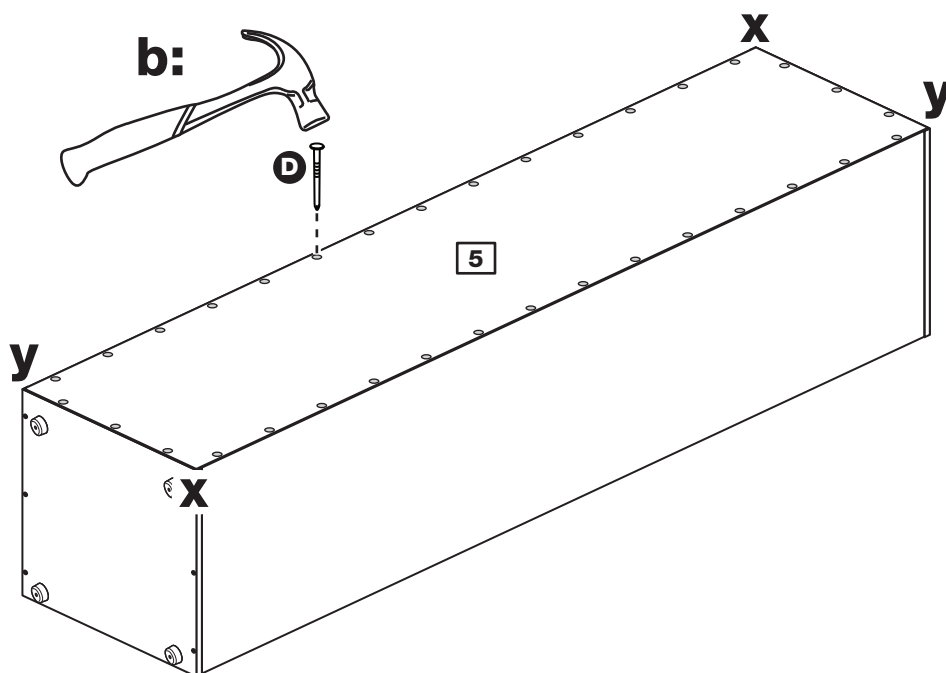
**Note:** Nails should be spaced about 150mm apart.

**Stand the unit up for the next step.**



**Warning:** The unit is heavy. Lift with care.

**a:** The measurement from top corner X to bottom corner X must be equal to the measurement from top corner Y to bottom corner Y

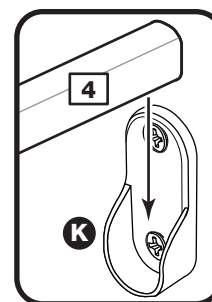
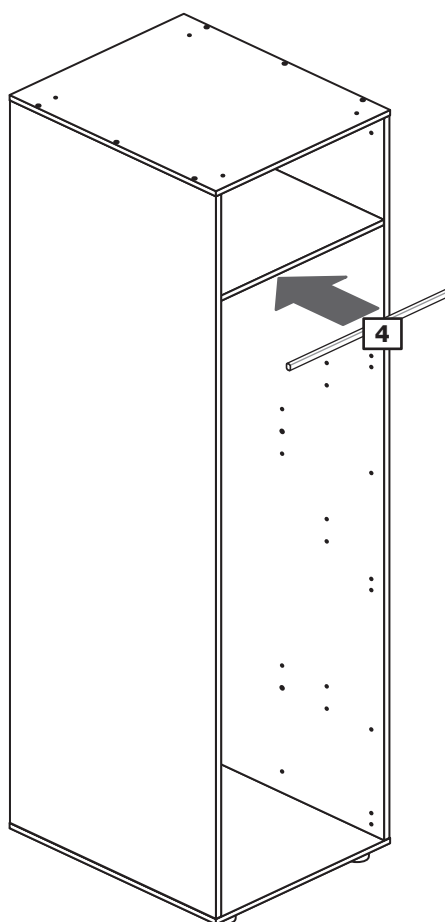


## Step 13

### Fit the hanging rail(s)

Push the hanging rail(s) **4** into the rail holders **K** fitted to the side panels.

**Note:** Do not fit the hanging rail(s) if you are fitting the shelf pack.



# Assembly Instructions

## Step 14

### Fit the bracket

To prevent possible overbalancing, we recommend that this unit is secured to a suitable wall by use of the bracket **L** fitted to the top of the unit.

Fixings are not supplied, as they will need to suit the wall type and the length of screw will depend on the distance from the back of the unit to the wall.

Fix the bracket **L** loosely onto the top of the unit using screw **I** and mark the wall for the wall fixing.

Swivel the bracket **L** away from the wall and drill a hole in the wall using a suitable drill bit and fit your wall fixing.

Swivel the bracket **L** back and fix the bracket to the wall, then tighten screw **I**.

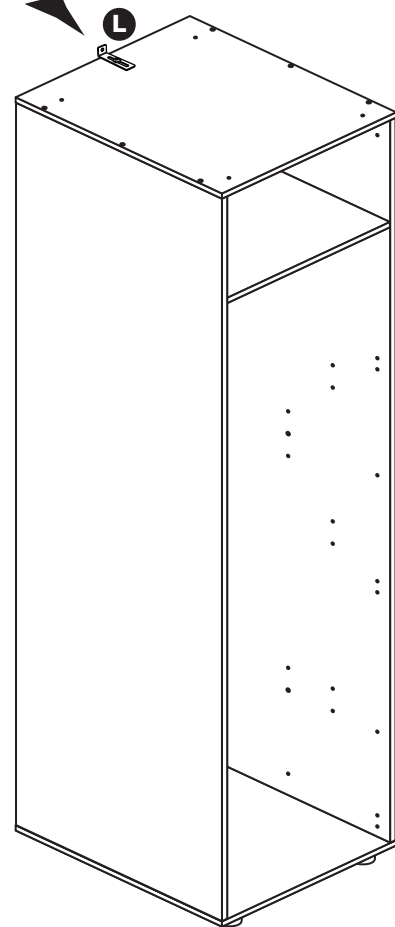
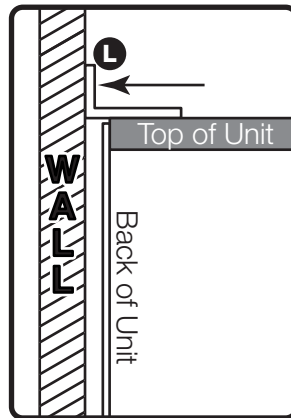
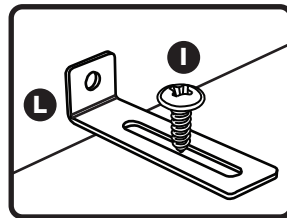
**Note:** Take care when drilling the wall that you do not drill into any pipes, wires etc. If in doubt, consult an expert.



**Warning:** The unit is heavy. Lift with care.

## IMPORTANT

The unit **MUST** be fixed to a wall using the bracket supplied. The unit must be level and square before fitting the bracket.



## IMPORTANT

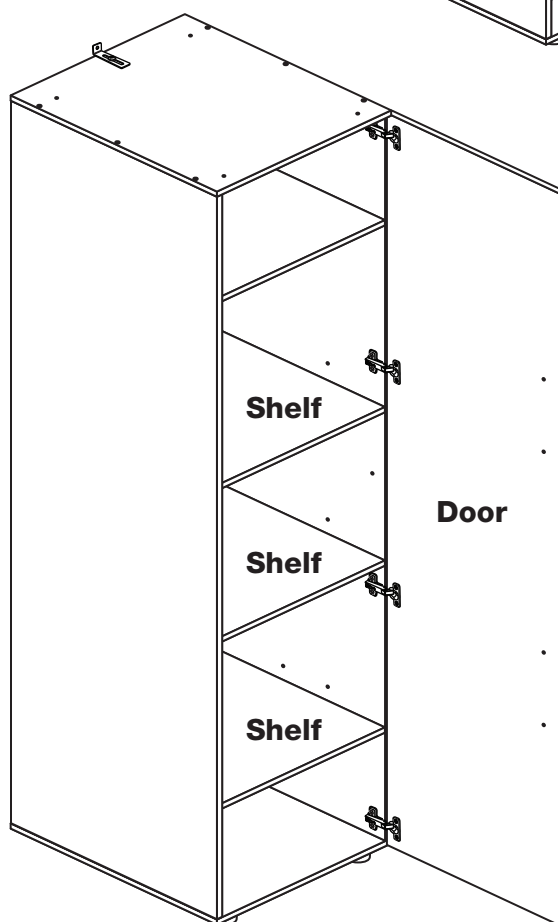
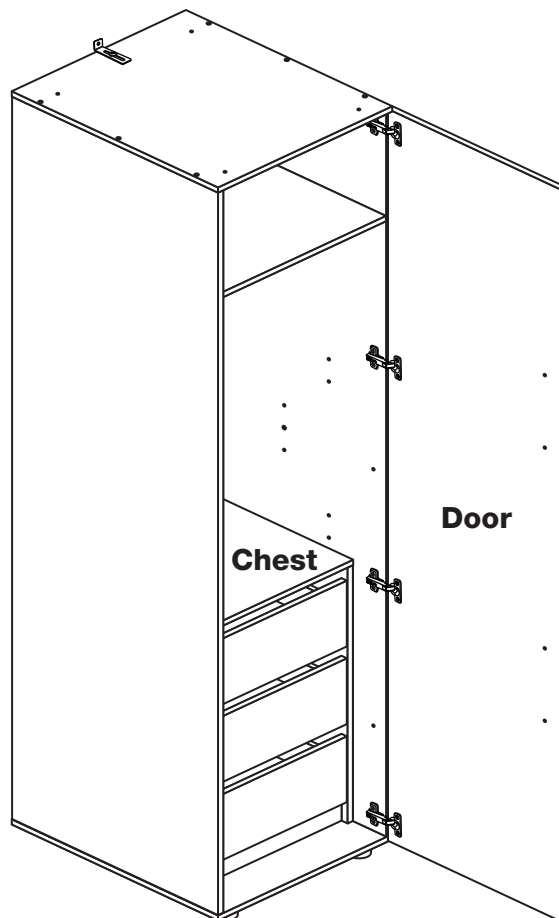
The unused fittings from this assembly are used to fit the door. Please refer to the instructions packed with the door.

# Assembly Instructions

## Step 15

**Fit the door and, if required, the shelf pack and internal chest**

Please refer to the instructions packed with the door, shelf pack or chest.



If you need help or have damaged or missing parts, call the **Customer Helpline: 08456 400800** and quote the reference numbers on the component pages.

Argos Ltd, 489-499 Avebury Boulevard, Central Milton Keynes, MK9 2NW

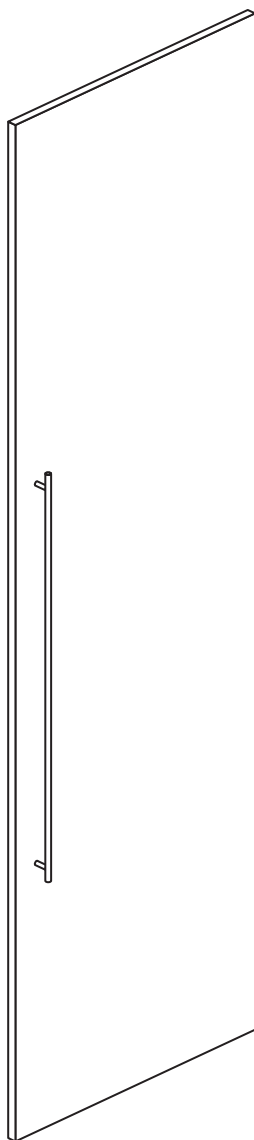
# Atlas - Standard Single Door

Assembly Instructions - Please keep for future reference

144/7174

157/8067

157/4085



## IMPORTANT

Have you purchased a Single Robe and an Internal 3 Drawer Chest?  
The Chest must be placed into the Robe BEFORE the Door is fitted.

### Dimensions

Width - 49.5cm

Depth - 1.5cm

Height - 210cm



**MADE IN  
BRITAIN**

**Important** - Please read these instructions fully before starting assembly

If you need help or have damaged or missing parts, call the Customer Helpline: 08456 400800



# Safety and Care Advice

**Important - Please read these instructions fully before starting assembly**

- **Warning:** This panel weighs approximately 11kgs. Please lift with care.
- Check you have all the components and tools listed on pages 2 and 3.
- Remove all fittings from the plastic bags and separate them into their groups.
- Keep children and animals away from the work area, small parts could choke if swallowed.
- Parts of the assembly will be easier with 2 people.

- Make sure you have enough space to layout the parts before starting.
- Do not stand or put weight on the product, this could cause damage.
- Assemble the item as close to its final position (in the same room) as possible.
- Assemble on a soft level surface to avoid damaging the unit or your floor (use opened out unit carton).



• We do not recommend the use of power drill/drivers **for inserting screws**, as this could damage the unit. Only use hand screwdrivers.

- **Safety note:** If there is any chance of this unit being pulled over by children etc. it is recommended that the unit is secured to a wall using suitable fixings (not supplied).
- Dispose of all packaging carefully and responsibly.

## Care and maintenance

- Only clean using a damp cloth and mild detergent, do not use bleach or abrasive cleaners.
- From time to time check that there are no loose screws on this unit.
- This product should not be discarded with household waste. Take to your local authority waste disposal centre.

**Note:** If required the next page can be cut out and used as reference throughout the assembly. Keep this page with these instructions for future reference.

# Component - Panel

If you have damaged or missing components, call the **Customer Helpline: 08456 400800** quoting the reference numbers below

Please check you have the panel listed below

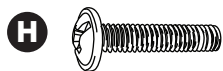


Standard Door (D2398A)  
(2100 x 495mm)

# Components - Fittings

If you have damaged or missing components, call the **Customer Helpline: 08456 400800** quoting the reference numbers below

These fittings are packed with the Robe Carcass.  
The quantities will depend on which robe you have bought.



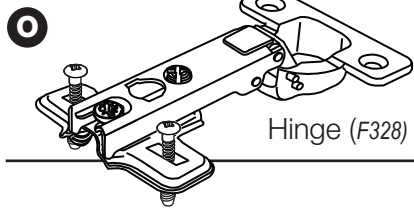
19mm Screw (F461)



13mm Screw (F63)



Handle (F328)



Hinge (F328)



# Assembly Instructions

If you have damaged or missing components, call the  
**Customer Helpline: 08456 400800** quoting the reference  
numbers below

## Step 1

**Have you purchased a  
Mirror Door?**

### IMPORTANT

If you have purchased a Mirror Door,  
**DO NOT** follow these instructions.  
Please use the instructions packed  
with the Mirror Door.

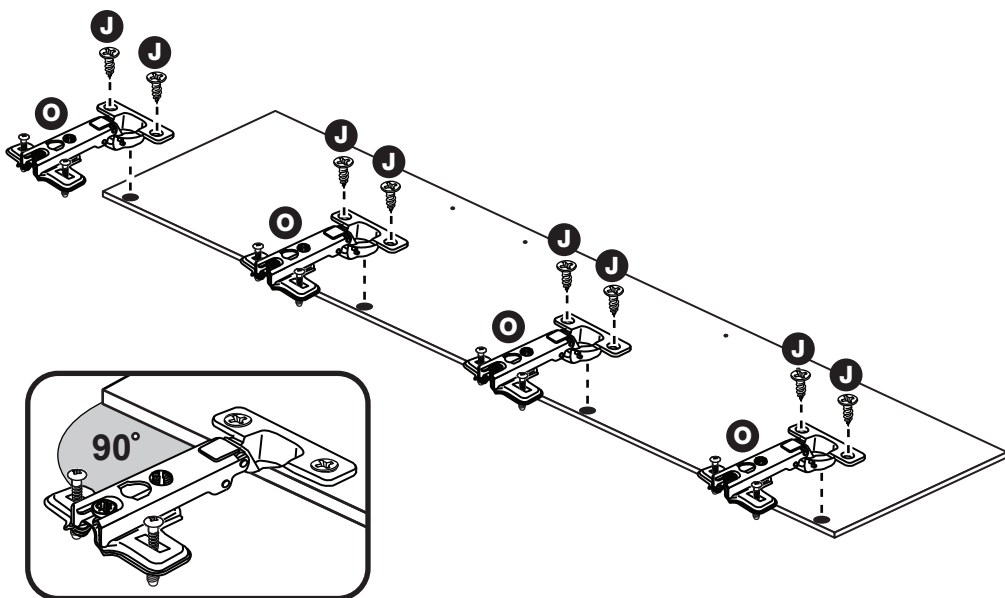
## Step 2

**Prepare the door(s)**

Push fit 4 hinges **O** into  
each door.

Secure each hinge with  
2 screws **J**.

**Note:** Before securing  
with the screws, make  
sure that the hinges are  
positioned at 90 degrees  
with the edge of the  
door.





# Assembly Instructions

## Step 3

**For a door which has a handle on the left, drill these 2 handle holes**

**Important:** Please follow these instructions carefully.

Lay the door down onto a smooth surface.

Check that the hinges and holes are in the same place as the diagram.

**Note:** We recommend the use of a small piece of waste wood, placed behind the holes while drilling, to reduce the possibility of any breakout.

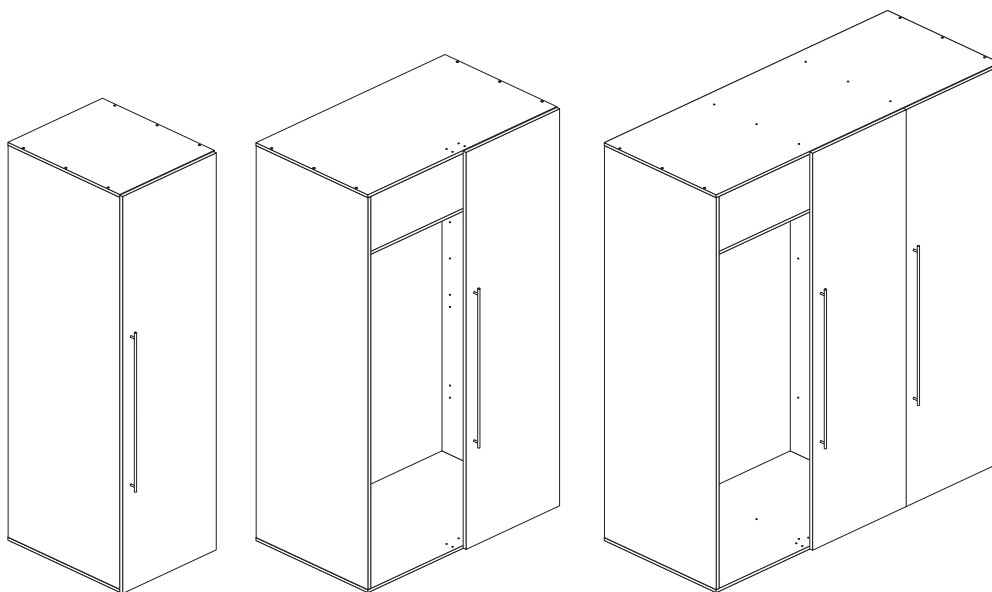
Using the pilot holes in the rear face of the door, drill through the 2 holes indicated opposite, using a 2.5mm diameter drill.

Turn the door over and open out the 2.5mm holes that you have just drilled by drilling back through them with a 5mm drill.

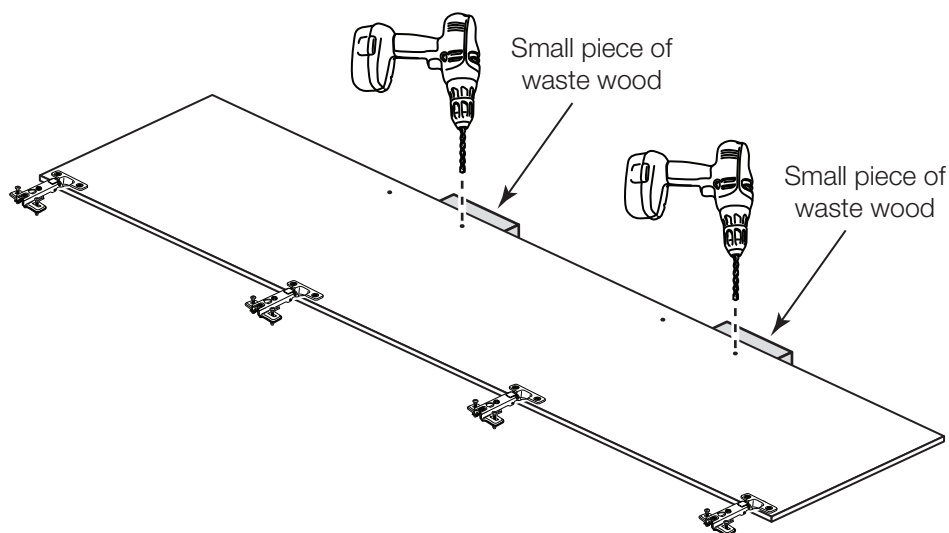
## IMPORTANT

This step shows which handle holes to drill for doors that have their handles on the LEFT, as shown below.

Go to Step 4 for how to drill a door with its handle on the RIGHT.



## ONLY drill these 2 holes



# Assembly Instructions

## Step 4

**For a door which has a handle on the right, drill these 2 handle holes**

**Important:** Please follow these instructions carefully.

Lay the door down onto a smooth surface.

Check that the hinges and holes are in the same place as the diagram.

**Note:** We recommend the use of a small piece of waste wood, placed behind the holes while drilling, to reduce the possibility of any breakout.

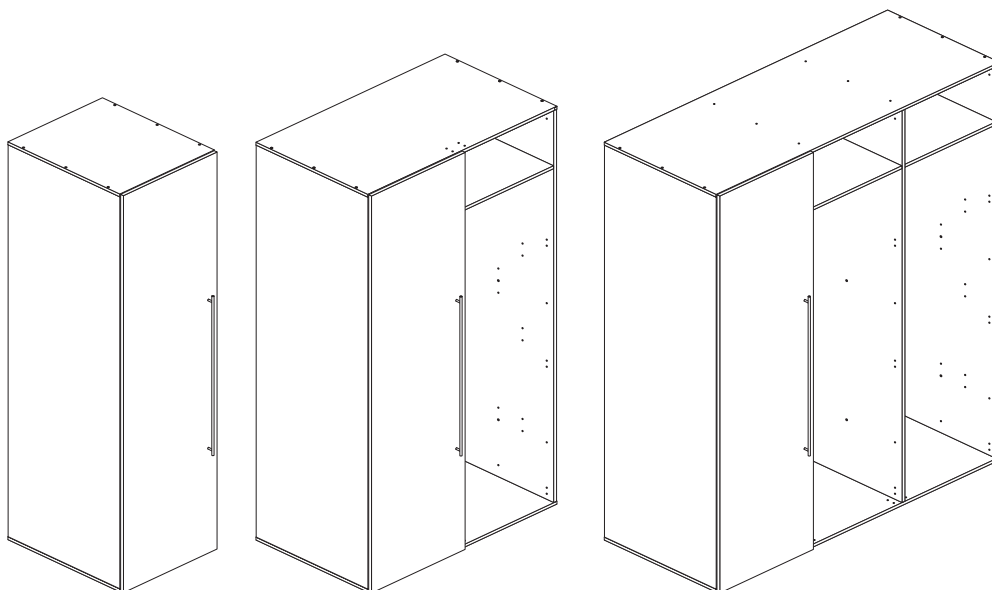
Using the pilot holes in the rear face of the door, drill through the 2 holes indicated opposite, using a 2.5mm diameter drill.

Turn the door over and open out the 2.5mm holes that you have just drilled by drilling back through them with a 5mm drill.

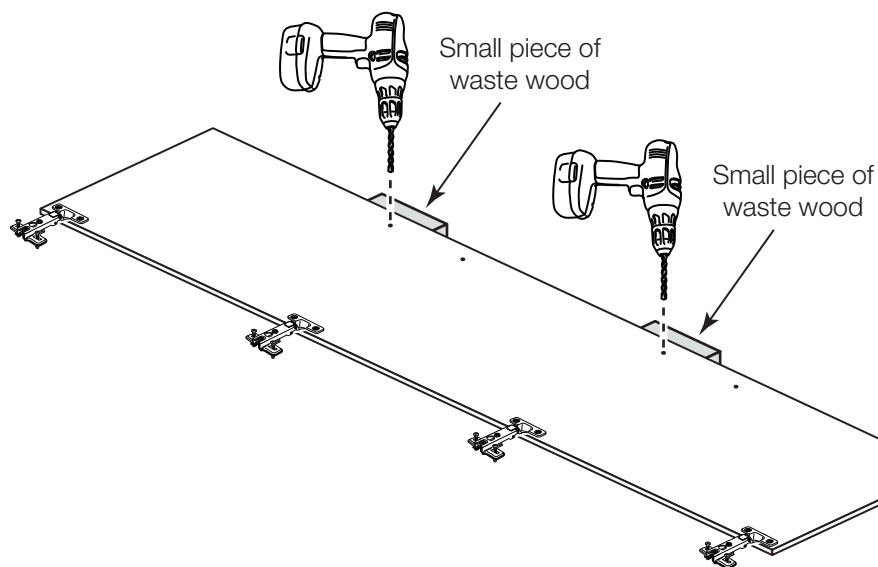
### IMPORTANT

This step shows which handle holes to drill for doors that have their handles on the RIGHT, as shown below.

Go to Step 3 for how to drill a door with its handle on the LEFT.



### ONLY drill these 2 holes



# Assembly Instructions

## Step 5

### Fit the door(s) and the handle(s)

**2 people are needed here**

Make sure that the door is the correct way around. The bottom hole on the back surface of the door will be one of holes that you have drilled.

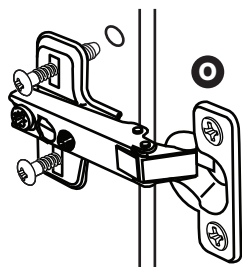
Line up the 2 screws in the top hinge **O** with the 2 holes at the top of the panel and push them in.

Working down the door, push in the other hinges.

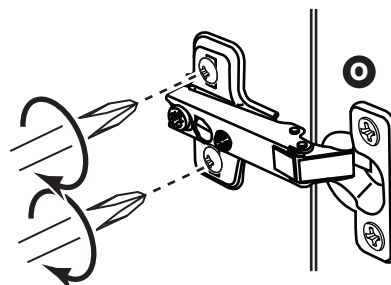
When all of the hinges have been pushed into place, tighten the 2 screws on each hinge.

Attach a handle **N** to the door using 2 screws **H**.

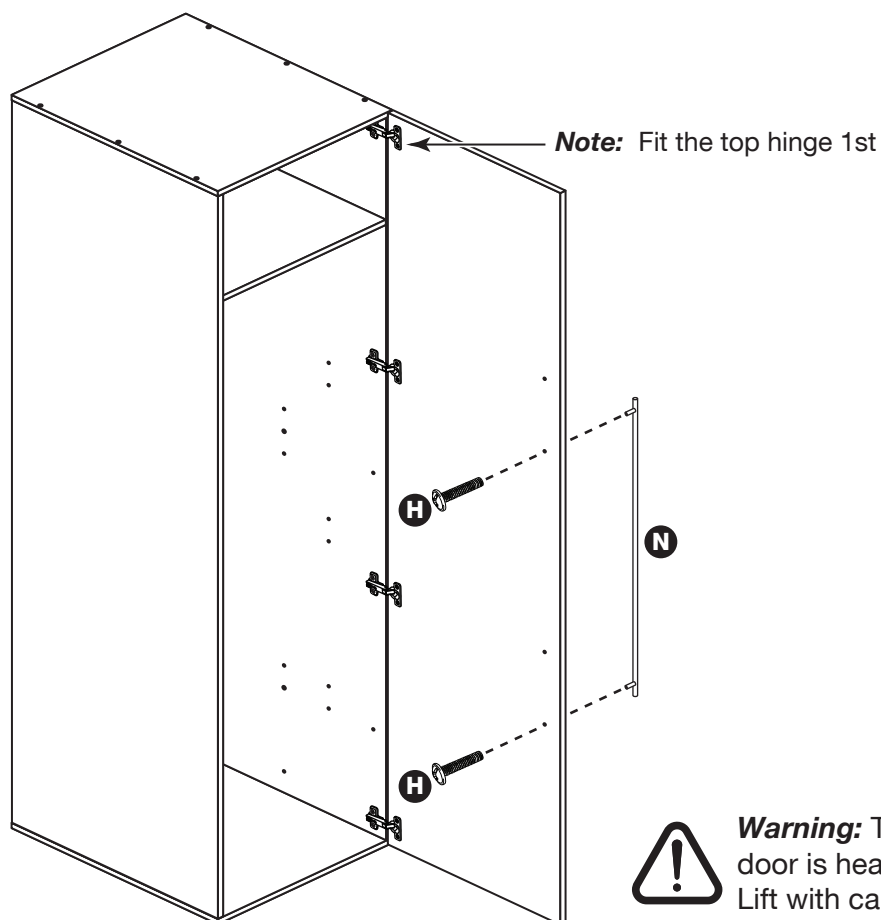
Press the screws into the holes in the panels



When the hinges have been pushed in, tighten up their screws



This shows a door being fitted onto the right side of a single robe. The same assembly method applies to all doors and robes.



**Warning:** The door is heavy. Lift with care.

# Assembly Instructions

## Step 6

### Adjust the door if needed

**a:** Before adjusting the door, use a spirit level to check the top (or base) of the unit is level, front-to-back and side-to-side in the 3 positions shown. Use suitable packing pieces (not supplied) to make the unit level BEFORE making any adjustment to the hinges, as shown.

### **b:** Height adjustment.

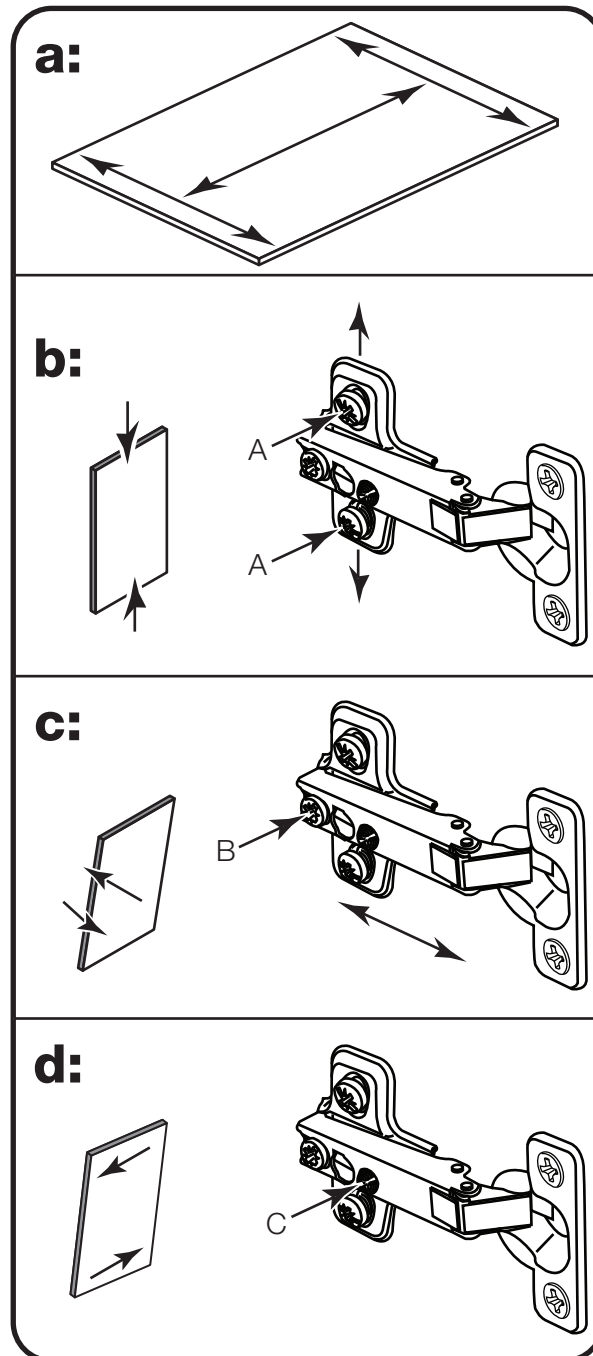
Loosen screws A on hinge plates and move door up or down as required. Retighten screw A.

### **c:** Forward and Back adjustment.

Loosen screw B on hinge plate and move door in or out as required. Retighten screw B.

### **d:** Sideways adjustment.

To move door 'out' loosen screw C. To move door 'in' tighten screw C.



If you need help or have damaged or missing parts, call the Customer Helpline: 08456 400800 and quote the reference numbers on the component pages.

Argos Ltd, 489-499 Avebury Boulevard, Central Milton Keynes, MK9 2NW