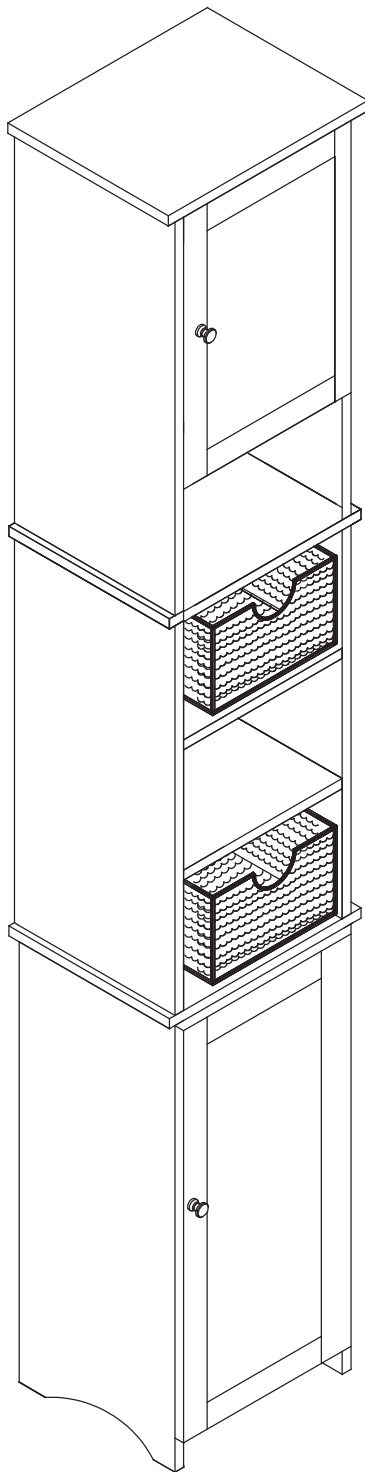


Storage Tower

Assembly Instructions- please keep for future reference

157/7295



Dimensions

Width - 33cm
Depth - 32cm
Height - 189cm

Important – Please read these instructions fully before starting assembly

If you need help or have damaged or missing parts, call the Customer Helpline: **0845 640 0800**



Safety and Care Advice

Important – Please read these instructions fully before starting assembly

- Check you have all the components and tools listed on pages 3 and 4.
- Remove all fittings from the plastic bags and separate them into their groups.
- Keep children and animals away from the work area, small parts could choke if swallowed.
- Make sure you have enough space to layout the parts before starting.

- Do not stand or put weight on the product, this could cause damage.
- Assemble the item as close to its final position (in the same room) as possible.
- Assemble on a soft level surface to avoid damaging the unit or your floor.
- Parts of the assembly will be easier with 2 people.



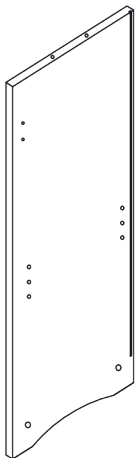
- We do not recommend the use of power drill/drivers **for inserting screws**, as this could damage the unit. Only use hand screwdrivers.
- Dispose of all packaging carefully and responsibly.

Care and maintenance

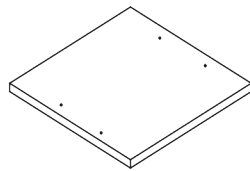
- Only clean using a damp cloth and mild detergent, do not use bleach or abrasive cleaners.
- From time to time check that there are no loose screws on this unit.
- This product should not be discarded with household waste. Take to your local authority waste disposal centre.

Components - Panels

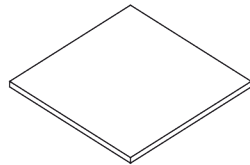
Please check you have all the panels listed below



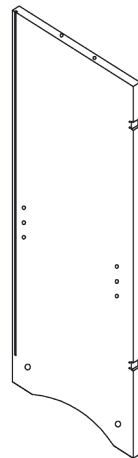
1 Bottom left panel
(65.1(h)cm x 29.4(d)cm)



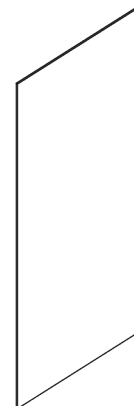
5 Shelf x 2
(30.5(w)cm x 29.4(d)cm)



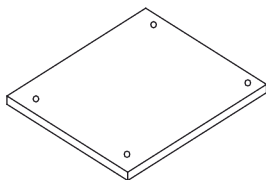
15 Internal Shelf
(27.5(w)cm x 27.5(d)cm)



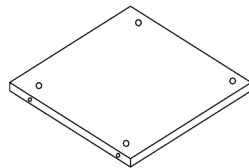
3 Bottom right panel
(65.1(h)cm x 29.4(d)cm)



4 Bottom back panel
(60(h)cm x 28.5(w)cm)



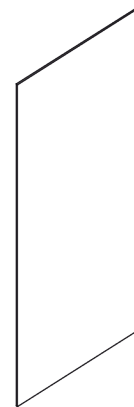
13 Shelf x 1
(33(w)cm x 32(d)cm)



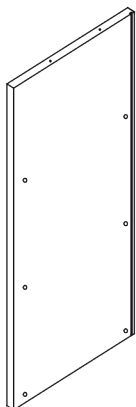
2 Shelf x 3
(27.6(w)cm x 27.6(d)cm)



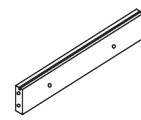
7 Middle right panel
(60(h)cm x 29.4(d)cm)



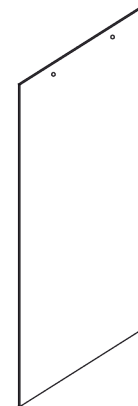
8 Middle back panel
(60.8(h)cm x 28.5(w)cm)



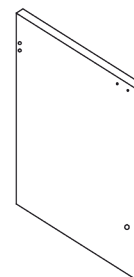
6 Middle left panel
(60(w)cm x 29.4(d)cm)



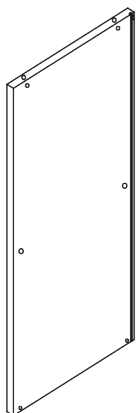
11 Rail
(4.2(h)cm x 27.6(w)cm)



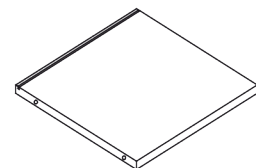
12 Top back panel
(60.8(h)cm x 28.5(w)cm)



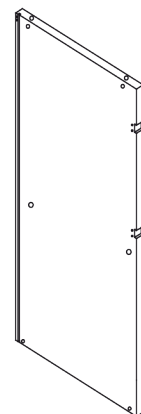
16 Top door
(40(h)cm x 30(w)cm)



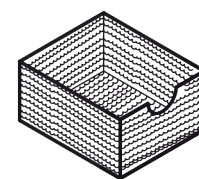
9 Top left panel
(60(w)cm x 29.4(d)cm)



14 Base
(29.4(w)cm x 27.6(d)cm)



10 Top right panel
(60(h)cm x 29.4(d)cm)



18 Basket x 2
(24(h)cm x 24(w)cm)





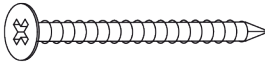

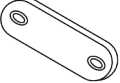
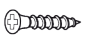

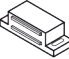





17 Bottom door
(60(h)cm x 29.4(w)cm)

Components - Fittings

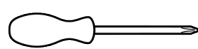
If you have damaged or missing components, call the **Customer Helpline: 0845 640 0800**

Please check you have all the fittings listed below

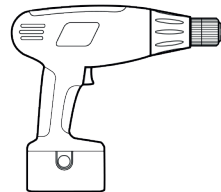
Note: The quantities below are the correct amount to complete the assembly. In some cases more fittings may be supplied than are required.

A  35mm Male camlock x 28	B  Female camlock x 28	C  35mm Screw x 10	D  30mm Wooden dowel x 4
E  Magnetic plate x 2	F  10mm Screw x 20	G  Hinge x 4	H  Magnetic catch x 2
I  14mm Screw x 4	J  Knob x 2	K  16mm Knob screw x 2	L  Shelf bracket x 4
M  Rawl plug x 2			

Tools required



Phillips screwdriver
(medium & large)



Drill

Ruler – Use this ruler to help correctly identify the screws



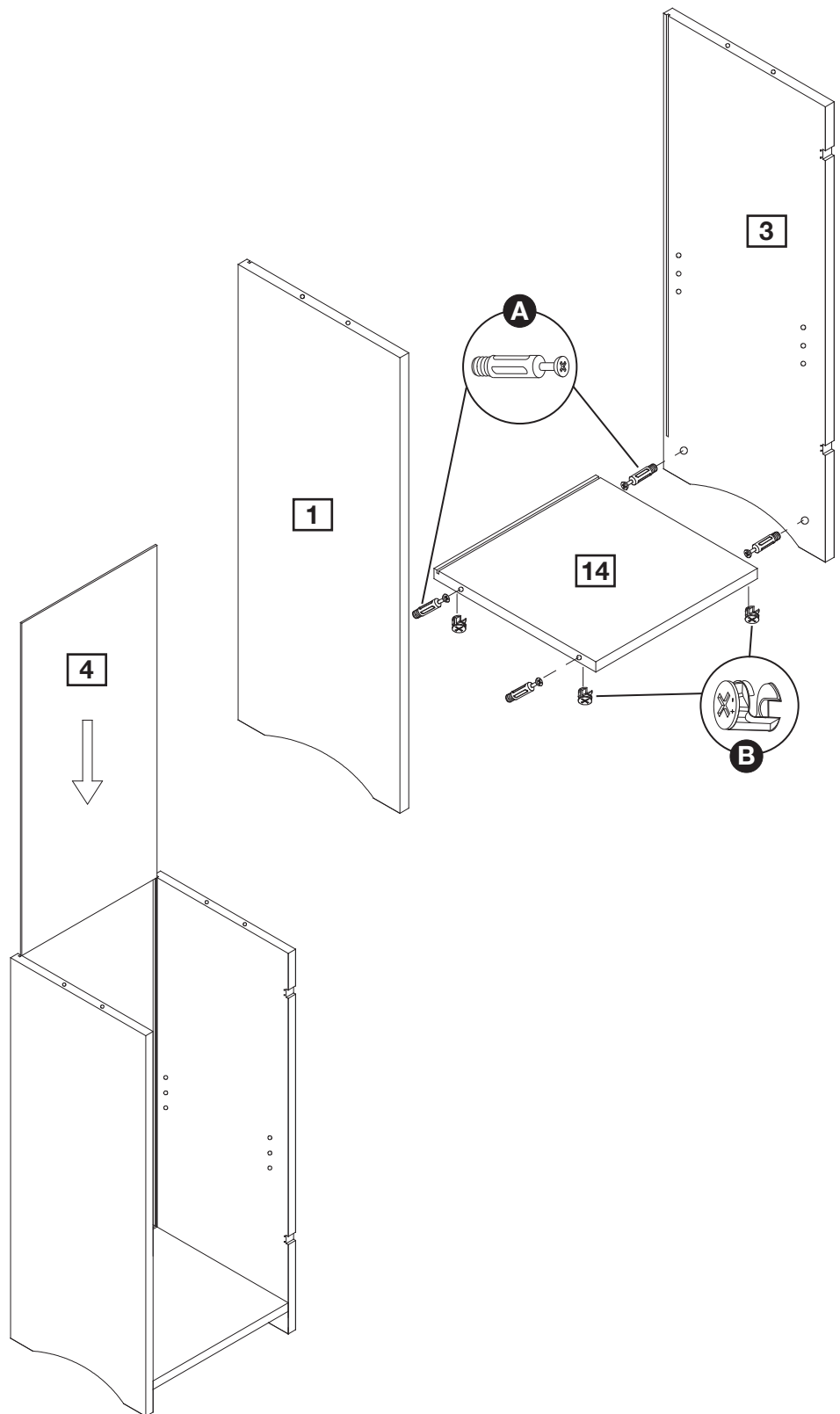
Assembly Instructions

Step 1

Insert 2 x 35mm male camlock **A** into the holes at the bottom of side panels **1** and **3** as shown. Tighten with a screwdriver.

Insert 4 x female camlock **B** into the holes on the underside of base panel **14**.

Connect the camlocks and tighten with a screwdriver.



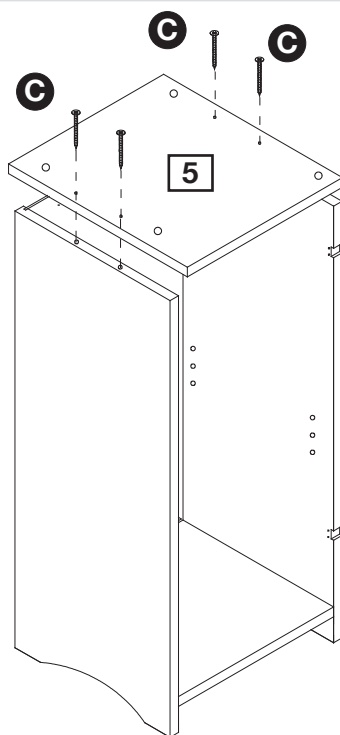
Step 2

Slot back panel **4** into the assembly as shown.

Assembly Instructions

Step 3

Secure shelf **5** in place using 4 x screw **C** as shown.

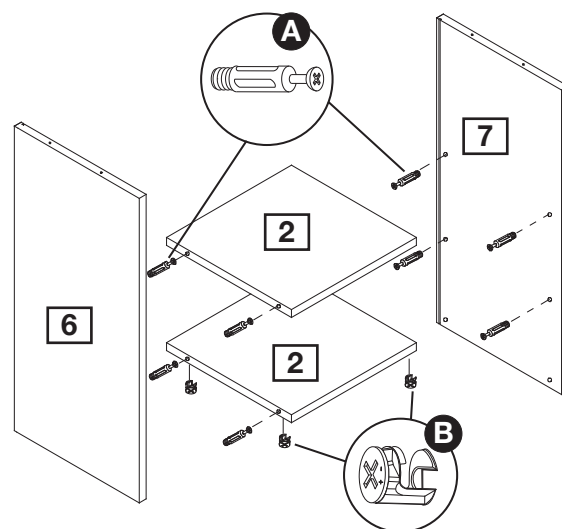


Step 4

Insert 4 x 35mm male camlock **A** into the holes in the middle of side panels **6** and **7** as shown. Tighten with a screwdriver.

Insert 4 x female camlock **B** into the holes on the underside of shelf **2**. Note that there are two of these shelves in this part of the assembly.

Connect the camlocks and tighten with a screwdriver.

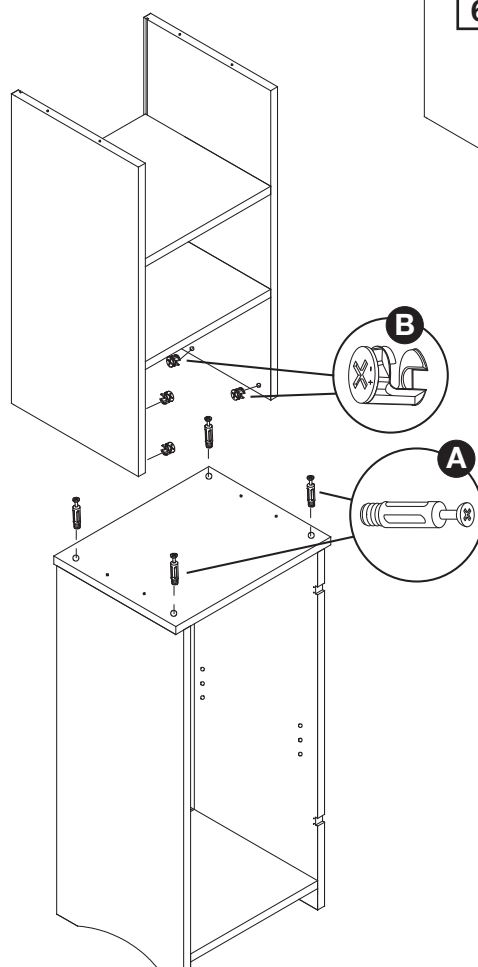


Step 5

Insert 4 x 35mm male camlock **A** into the holes in top of the assembly completed at Step 3 as shown.

Insert 4 x female camlock **B** into holes at the bottom of the assembly completed at Step 4.

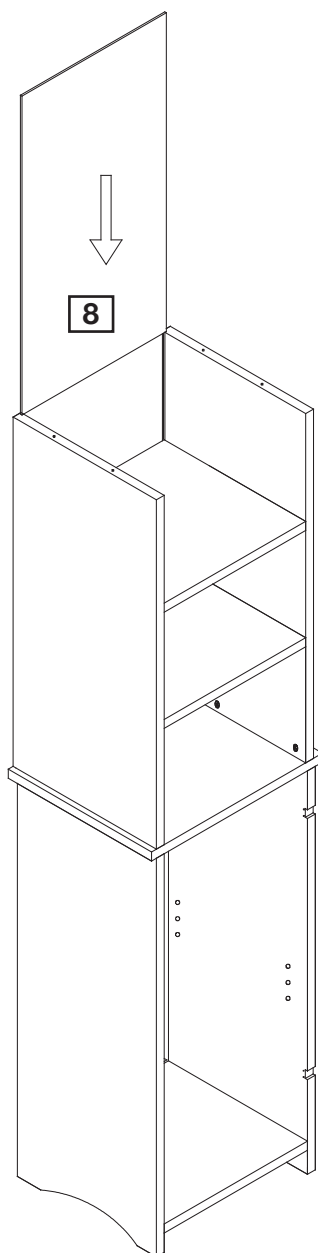
Place the second assembly on top of the first to connect the camlocks and tighten with a screwdriver.



Assembly Instructions

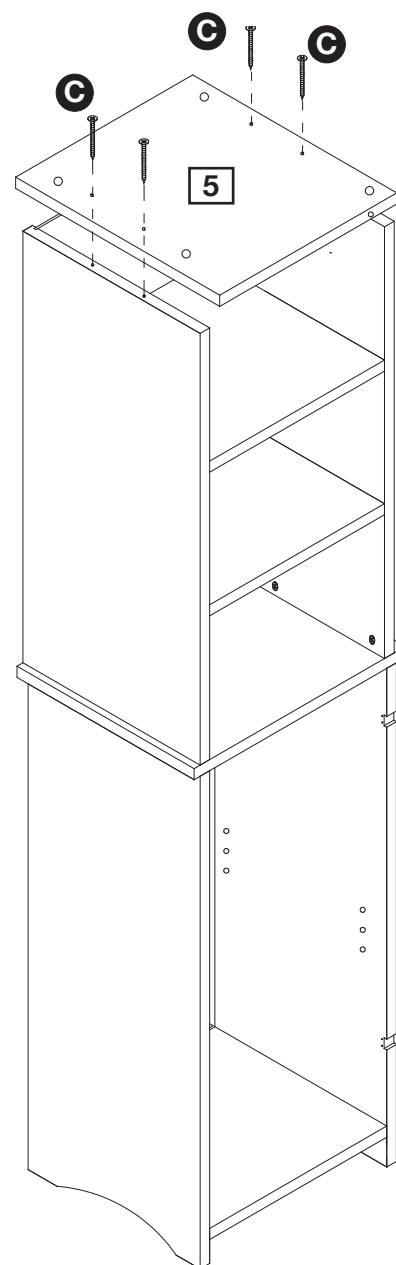
Step 6

Insert middle back panel **8** into the slots at the back of the assembly as shown.



Step 7

Secure shelf **5** in place using 4 x screw **C** as shown.



Assembly Instructions

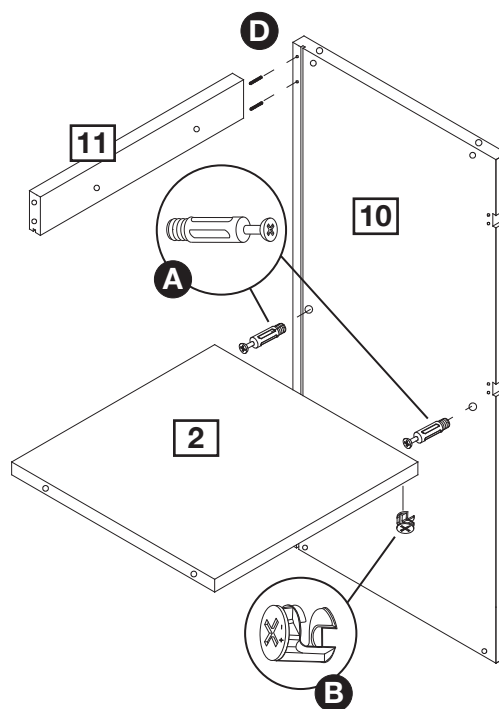
Step 8

Insert 2 x 35mm male camlock **A** into the holes in the middle of top side panel **10** as shown. Tighten with a screwdriver.

Insert 4 x female camlock **B** into the holes on the underside of shelf **2**.

Connect the camlocks and tighten with a screwdriver.

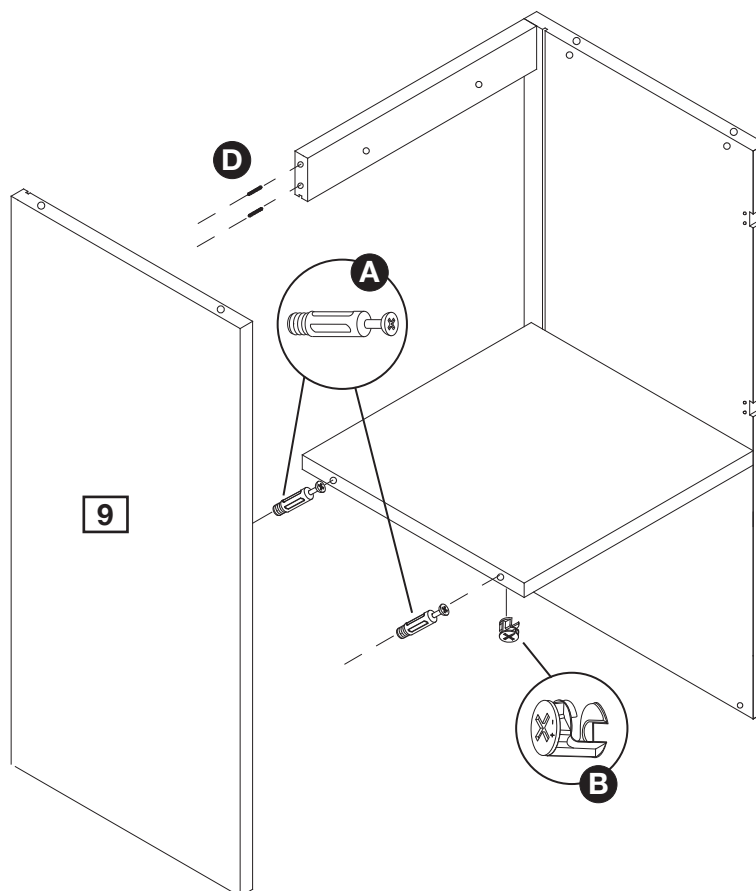
Insert 2 x wooden dowel **D** into the end of rail **11** and connect to top side panel **10** as shown.



Step 9

Insert 2 x 35mm male camlock **A** into the holes in the middle of top side panel **9** as shown. Tighten with a screwdriver.

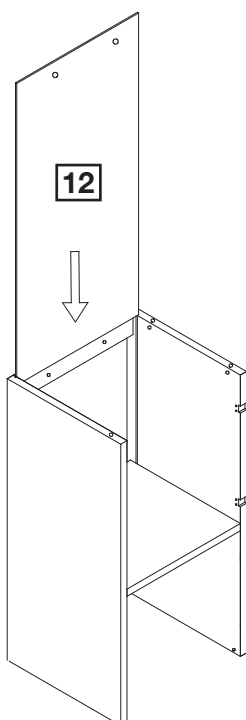
Connect to the assembly completed in Step 8 as shown and tighten the camlocks with a screwdriver.



Assembly Instructions

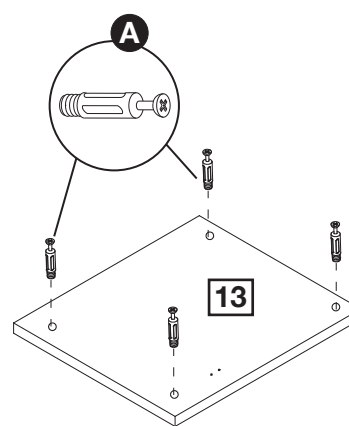
Step 10

Insert top back panel **12** into the slots at the back of the assembly as shown.



Step 11

Insert 4 x 35mm male camlock **A** into the holes on the underside of shelf **13** as shown. Tighten with a screwdriver.

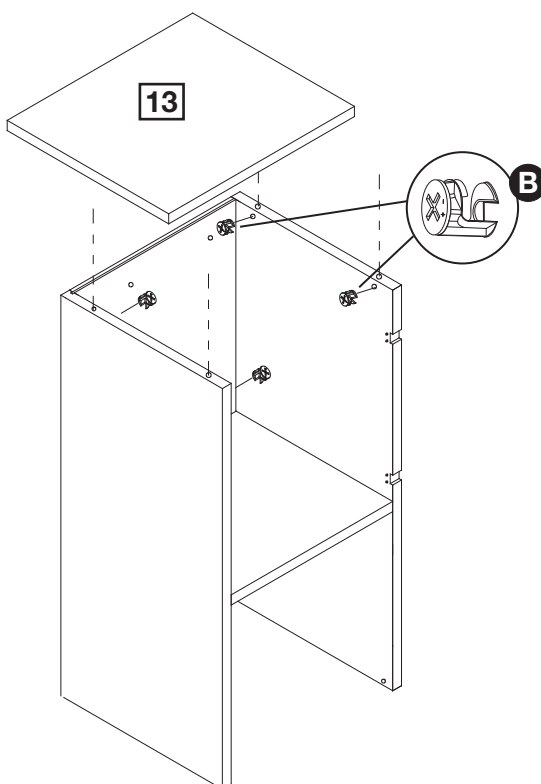


Step 12

Insert 4 x female camlock **B** into holes at the top of the assembly completed at Step 10.

Turn shelf **13** over and connect the camlocks into the assembly as shown.

Tighten the camlocks with a screwdriver.



Assembly Instructions

Step 13

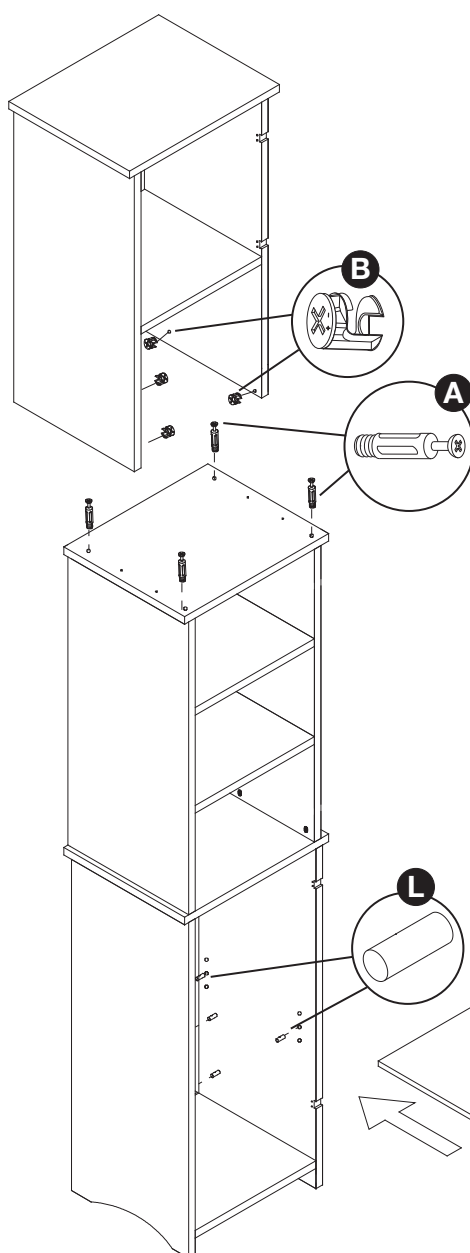
Insert 4 x 35mm male camlock **A** into the holes in top of the assembly completed at Step 7 as shown.

Insert 4 x female camlock **B** into holes at the bottom of the assembly completed at Step 12.

Place the second assembly on top of the first to connect the camlocks and tighten with a screwdriver.

Insert 4 x shelf bracket **L** into the holes inside the bottom part of the unit as shown.

Place shelf **15** on top of the shelf brackets.

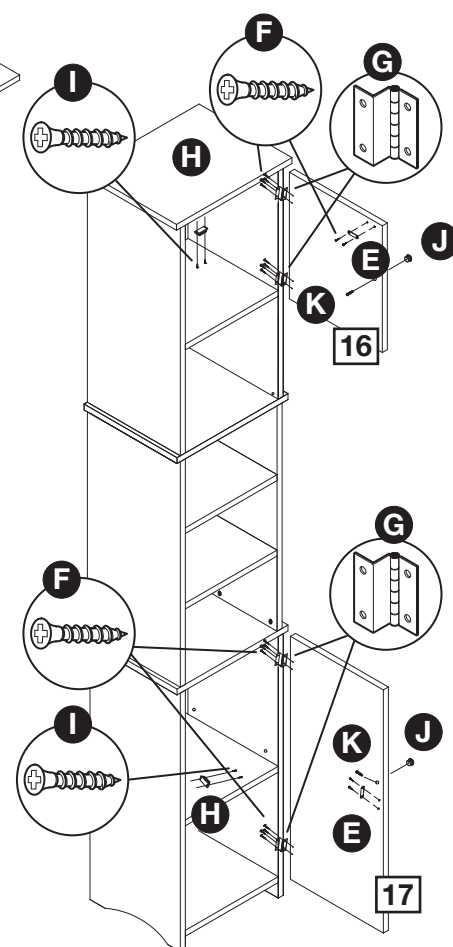


Step 14

Connect the knobs **J** to the doors **16|17** using screw **K**.

Connect the doors to the unit using hinges **G** and screws **F** as shown.

Screw the magnetic plate **E** in place on the doors using screws **F** and the magnetic catch **H** in place on the body of the unit using screw **I**.

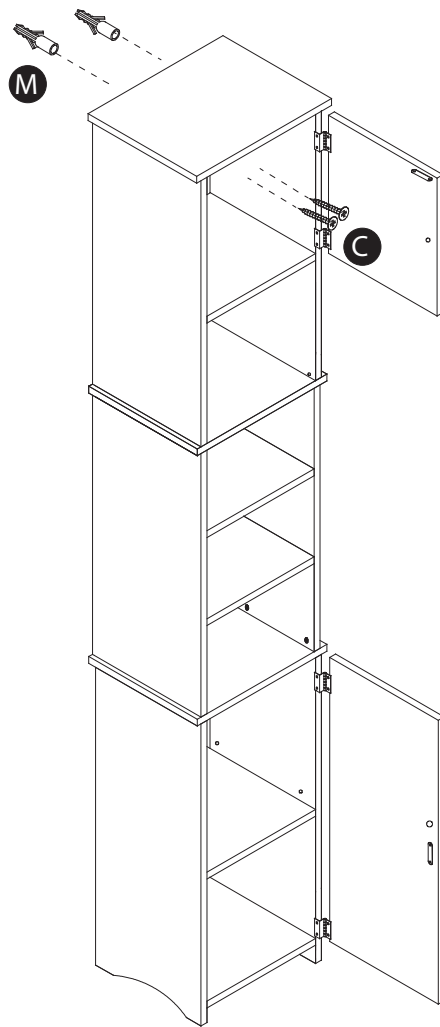


Assembly Instructions

Step 15

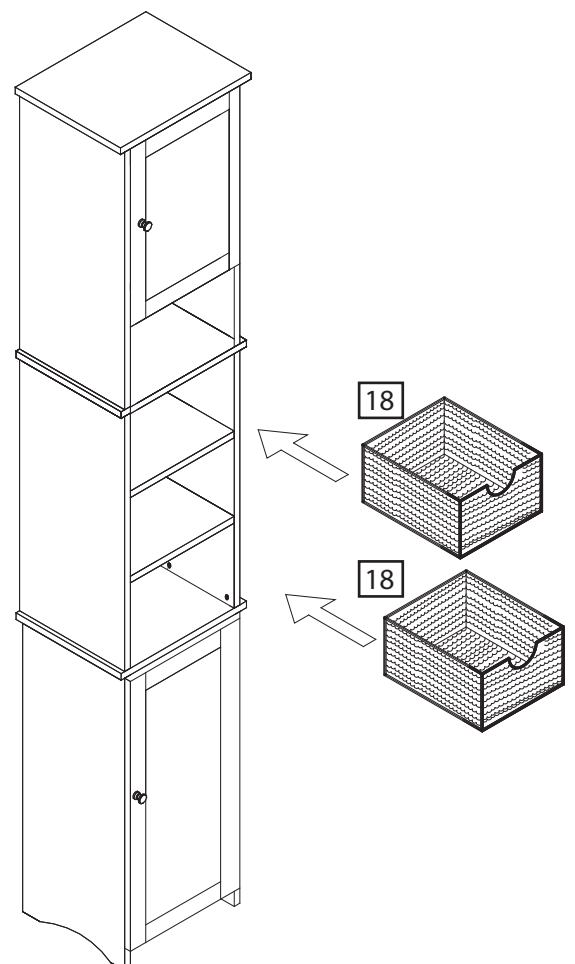
It is advisable to secure the unit in place by screwing it to a wall as shown using rawl plugs **M** and screws **C**.

See the back cover of these instructions for options concerning wall mounting.



Step 16

To complete the unit, slide 2 x basket **18** into place.



A Guide to Wall Mounting & Fixings

Important note:

If plastic wall plugs (rawl plugs) are supplied with your product, e.g.:



- these are only suitable for use in masonry walls.

If you are in any doubt about the correct wall plugs for your wall, seek professional advice.


Failure of the product due to using the incorrect fixings is the responsibility of the installer.



Important: when drilling into walls always check that there are no hidden wires or pipes etc.

Make sure that the screws and wall plugs being used are suitable for supporting your unit. Consult a qualified tradesperson if you are unsure.

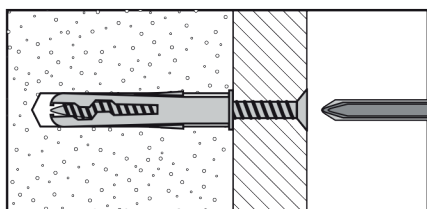
Hints:

- 1: General rule:  always use a larger screw and wall plug if you are not sure.
- 2: Ensure you use the recommended drill bit to match the wall plug and hole size.
- 3: Ensure you drill the hole horizontally; do not force the drill or enlarge the hole.
- 4: Take extra care when drilling high walls, ceilings and ceramic tiles. Ensure wall plugs are inserted beyond the thickness of the ceramic tiles to avoid the tiles splitting or cracking.
- 5: Ensure wall plugs are well fitted and are a tight fit in the drilled hole.

Types of walls

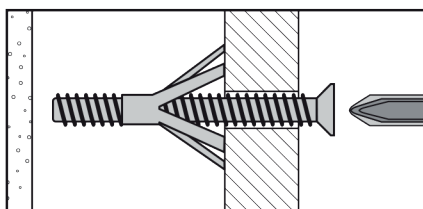
You can use one of the following types of wall plug if your walls are made of brick, breeze block, concrete, stone or wood.

No.1 "General Purpose" wall plug



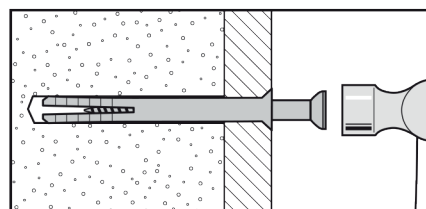
Generally aerated blocks should not be used to support heavy loads, use a specialist fitting in this case. For light loads, general purpose wall plugs can be used.

No.3 "Cavity Fixing" wall plug



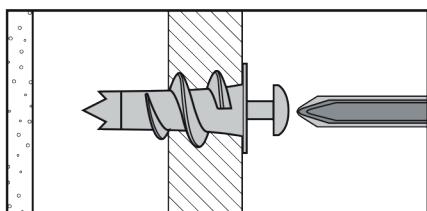
For use with plasterboard partitions or hollow wooden doors.

No.5 "Hammer Fixing" wall plug



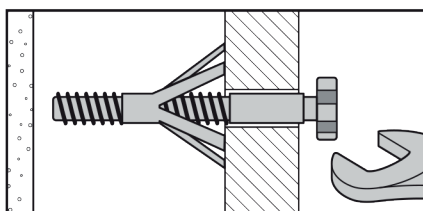
For use with walls stuck with plasterboard. The hammer fixing allows it to be fixed to the wall rather than the plasterboard. Always check the fixing is secure to the retaining wall.

No.2 "Plasterboard" wall plug



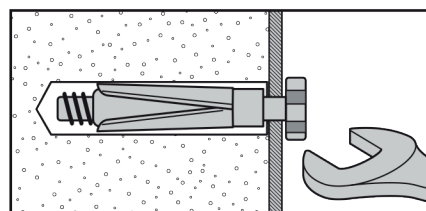
For use when attaching light loads onto plasterboard partitions.

No.4 "Cavity Fixing - Heavy Duty" wall plug



For use when fitting or supporting heavy loads such as shelving, wall cabinets and coat racks.

No.6 "Shield Anchor" wall plug - heavy loads



For use with heavier loads such as TV and HiFi speakers and satellite dishes etc.



Care & Maintenance

Safety: always check the fitting and location to ensure your safety in and around the home.

Fitting: from time to time check the fitting to ensure the wall plugs or screws do not become loose.

If you need help or have damaged or missing parts, call the **Customer Helpline: 0845 640 0800**