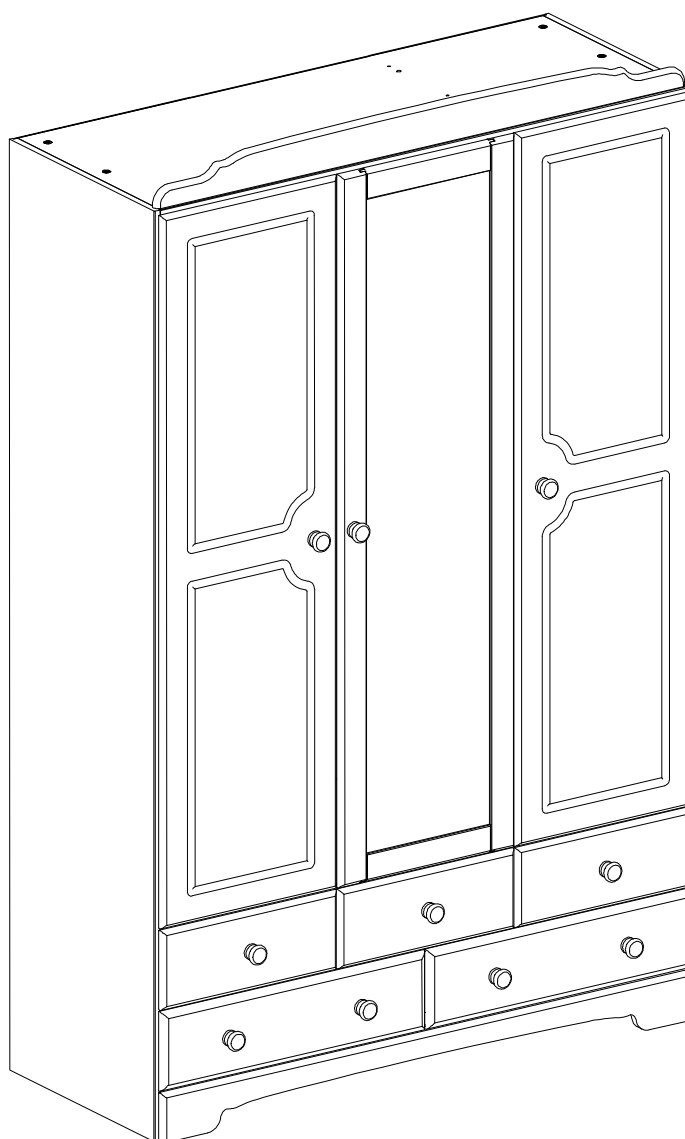


# Nordic - 3 Door 5 Drawer Wardrobe

Assembly Instructions - Please keep for future reference

1576674



## Dimensions

Width : 120,9 cm

Depth : 49,0 cm

Height : 191,3 cm

**Important - Please read these instructions fully before starting assembly**

If you need help or have damaged or missing parts, call the Customer Helpline: 0845 640 30 30



# Safety and Care Advice

**Important - Please read these instructions fully before starting assembly**

- Check you have all the components and tools listed on pages 3 and 4.
- Remove all fittings from the plastic bags and separate them into their groups.
- Keep children and animals away from the work area, small parts could choke if swallowed.
- Make sure you have enough space to layout the parts before starting.

- Do not stand or put weight on the product, this could cause damage.
- Assemble the item as close to its final position (in the same room) as possible.
- Assemble on a soft level surface to avoid damaging the unit or your floor.
- Parts of the assembly will be easier with 2 people.



- We do not recommend the use of power drill/drivers **for inserting screws**, as this could damage the unit. Only use hand screwdrivers.
- Dispose of all packaging carefully and responsibly.

## Care and maintenance

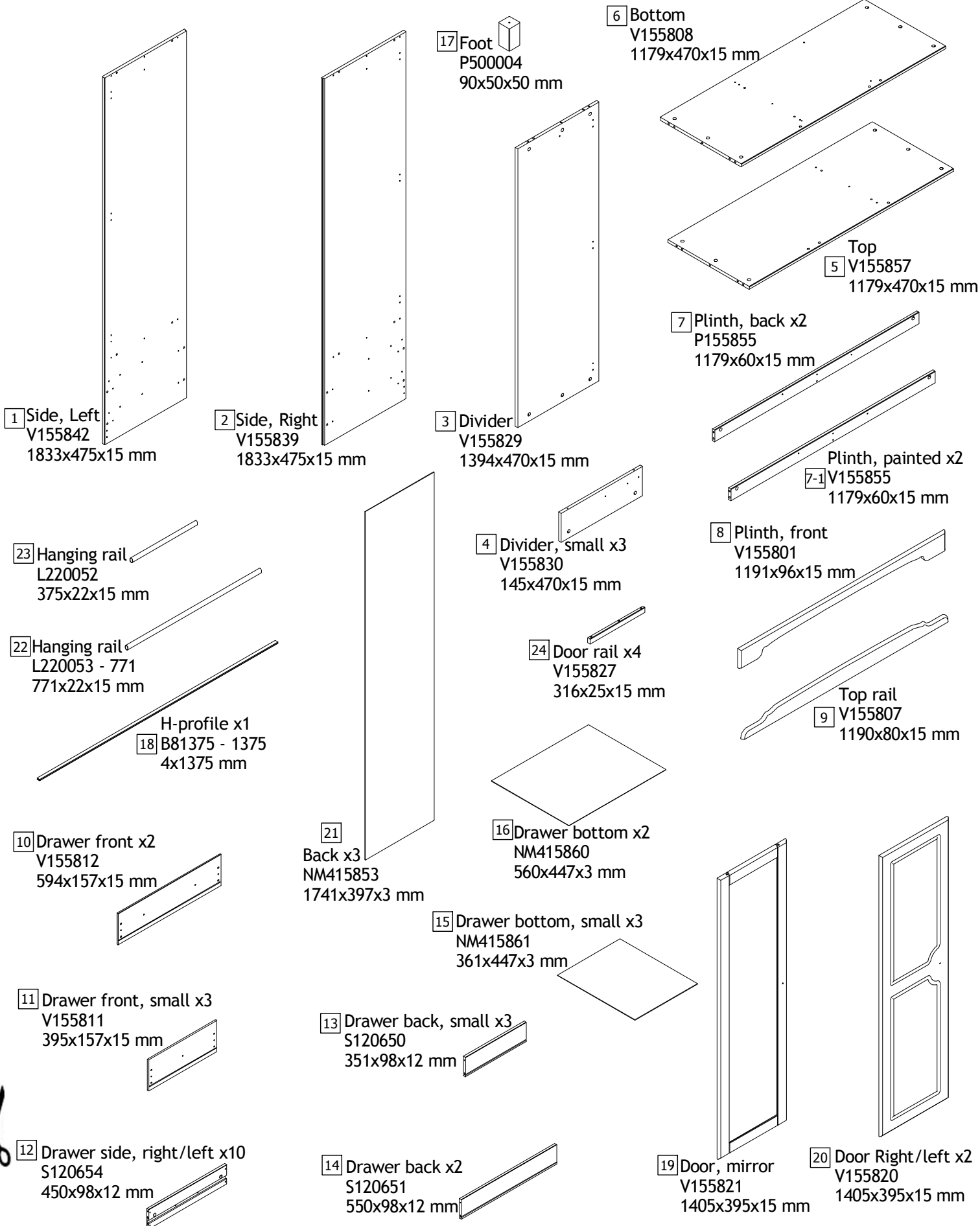
- Only clean using a damp cloth and mild detergent, do not use bleach or abrasive cleaners.
- From time to time check that there are no loose screws on this unit.
- This product should not be discarded with household waste. Take to your local authority waste disposal centre.

**Note:** if required the next page can be cut out and used as reference throughout the assembly. Keep this page with these instructions for future reference.

# Components - Panels

If you have damaged or missing components, call the **Argos Customer Helpline: 0845 640 30 30**

Please check you have all the panels listed below

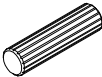
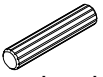
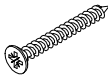
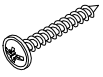

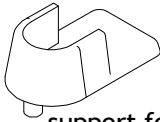

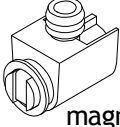

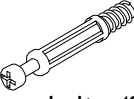
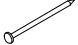
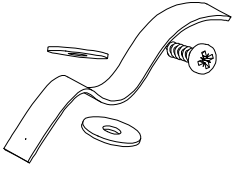


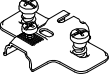
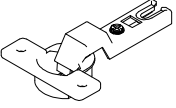
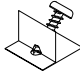
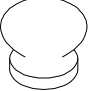
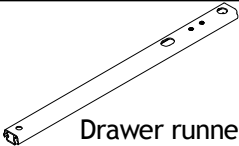


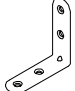
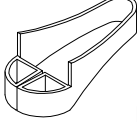

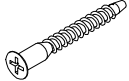


# Components - Fittings

If you have damaged or missing components, call the **Argos Customer Helpline: 0845 640 30 30**

Please check you have all the panels listed below

**Note:** The quantities below are the correct amount to complete the assembly. In some cases more fittings may be supplied than are required.

<b>A</b>  BA10390 ø8x30 mm wooden dowel x20	<b>B</b>  BA10400 ø6x30 mm wooden dowel x20	<b>O</b>  BA10130 ø4,0x35 mm screw x12
<b>R</b>  BA10170 ø4,0x35 mm screw x30	<b>T</b>  BA10050 ø3,5x15 mm screw x34	<b>L</b>  BA10731 15x22 mm support for hanger x4
<b>C</b>  BA10590 ø15x9,5 mm cam x42	<b>M</b>  BA10715-1 ø10x8 mm magnet x6	<b>N</b>  BA10715-2 ø10x8 mm magnet catch x6
<b>D</b>  BA10603 ø5/11x34 mm bolt x42	<b>i</b>  BA10025 ø1,2x20 mm nail x100	<b>J</b>  BA182002 wallstrap and instruction
<b>K</b>  BA10270 ø5,8x8 mm screw x30	<b>E</b>  BA10240 ø6,1x11,5 mm screw x10	
<b>P</b>  BA10532 0 mm/37 mm crossplate x9	<b>Q</b>  BA10508 ø26 cup hinge x9	<b>F</b>  BA10833 15x15x10 mm x10
<b>G</b>  BA10468 ø40x30 mm Wooden knob x10	<b>S</b>  B14359 17x246 mm Drawer runner x10	<b>H</b>  BA10191 M4x9 mm screw x10
<b>V</b>  BA10801 20x20x2 angle x5	<b>W</b>  BA10815 50x50x2 mm angle x3	<b>Yd</b>  Ba10688 500x250x Nail holder x1
<b>Y</b>  BA10137 ø4,0x60 mm screw x1	<b>U</b>  BA103062 ø5x40 mm screw x6	

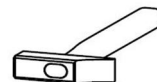
## Tools required



Phillips screwdriver  
(Medium & large)



Flatblade screwdriver  
(Medium)



Hammer

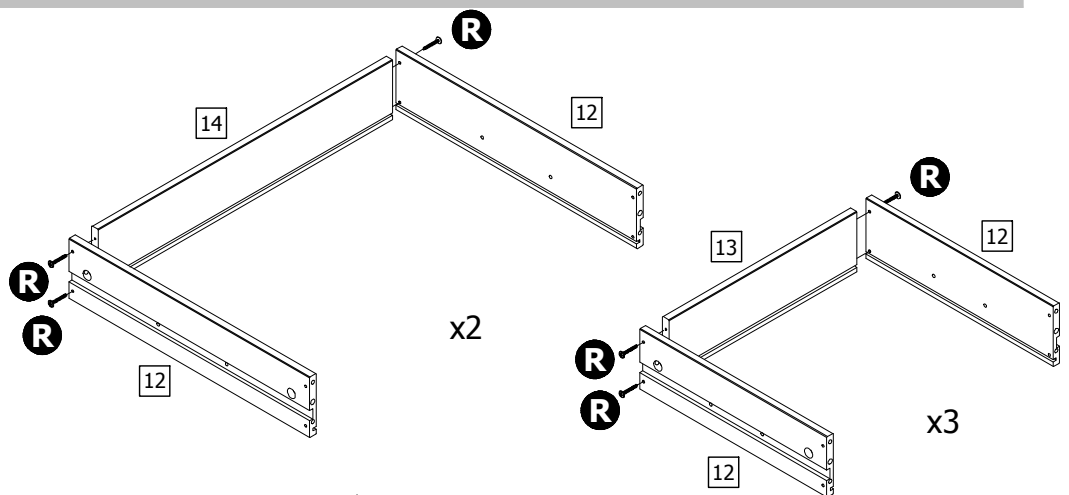
Ruler - Use this ruler to help correctly identify the screws



# Assembly Instructions

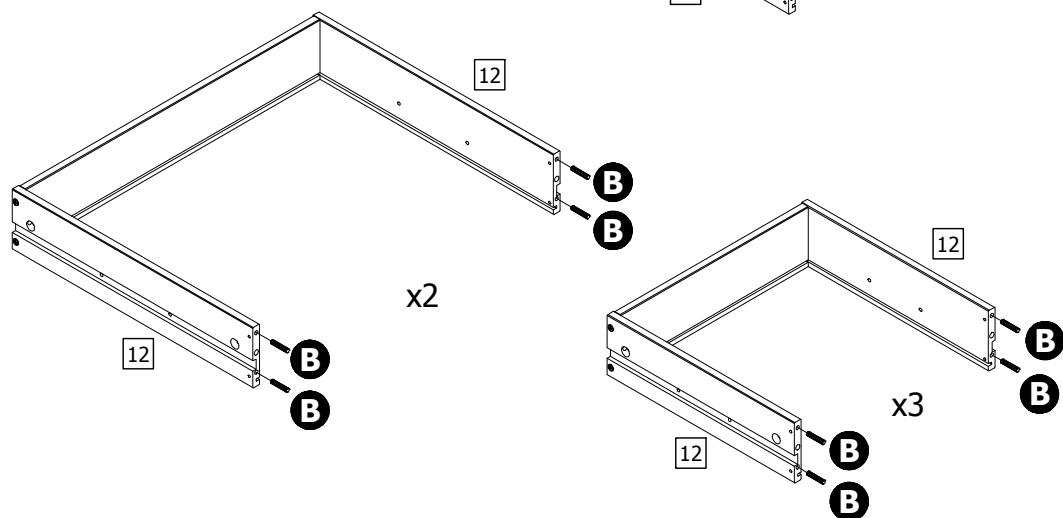
## Step 1

Fix the drawer sides 12 to the drawer back 13 and 14 as shown, using screws R.



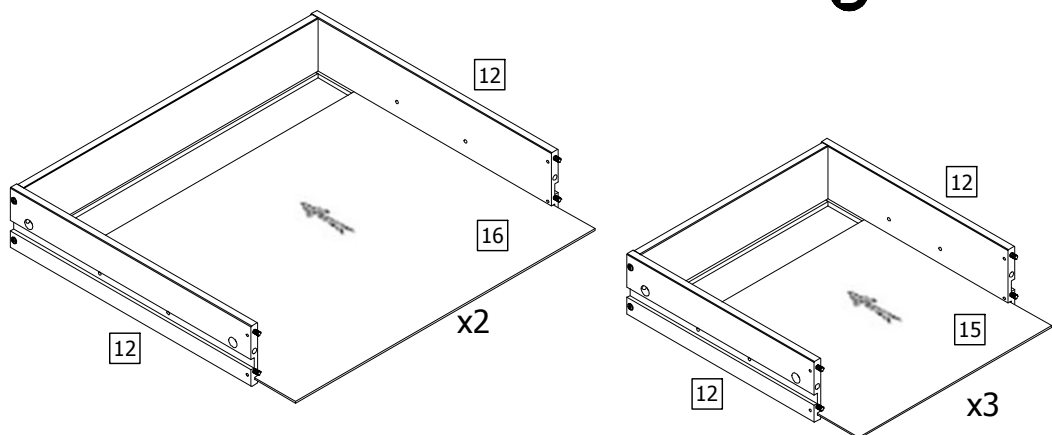
## Step 2

Knock down the dowels B into the holes indicated on the drawer sides 12, using a small hammer.



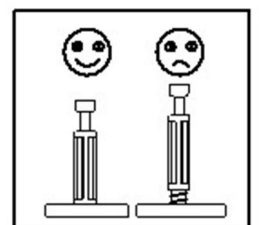
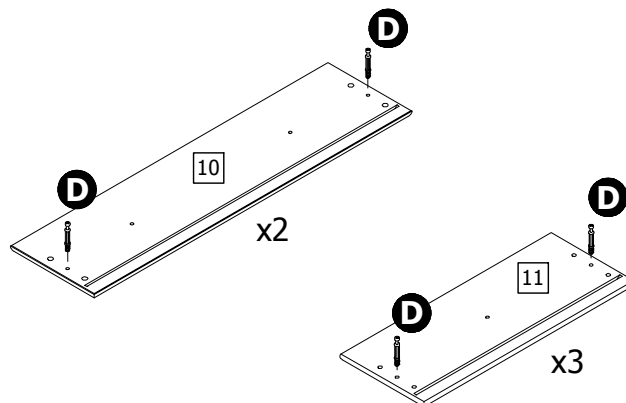
## Step 3

Slide the drawer bottom 15 and 16 into the drawer sides 12.



## Step 4

Screw the bolts D into the holes indicated on the drawer fronts 10 and 11.



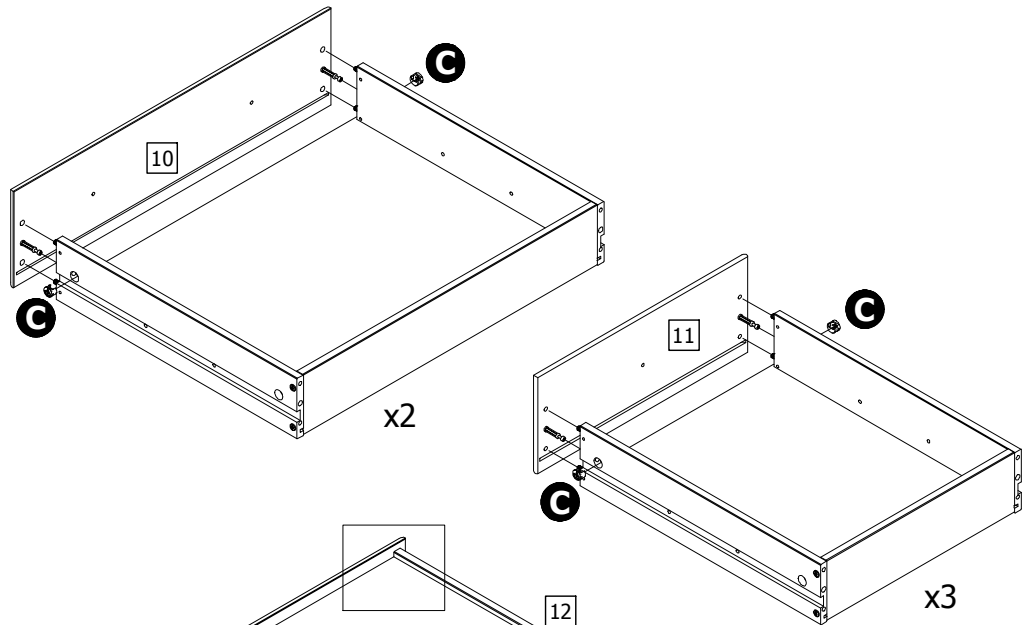
# Assembly Instructions

## Step 5

Push the drawer front 10 and 11 onto the the drawer sides 12 as shown.

Push cams C into the holes indicated. Arrow pointing towards the front.

Turn the cams C to the right to fix the front 10 and 11.



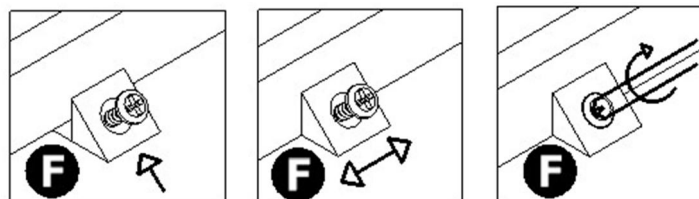
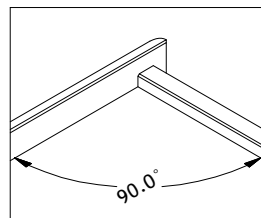
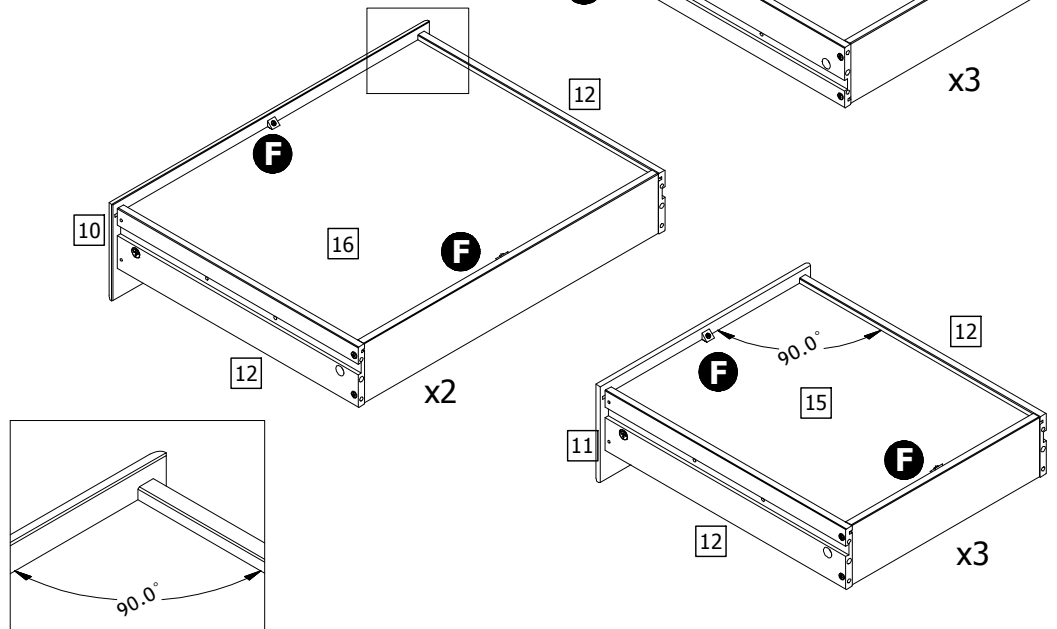
## Step 6

### Important!

Make sure the angle between the drawer front 10 and 11 and the drawer sides 12 is 90° before the drawer bottom is fixed.

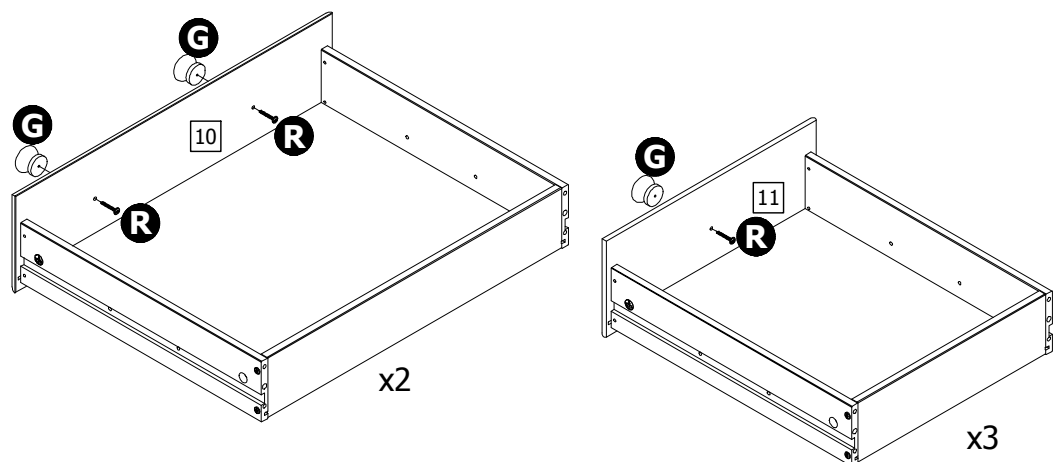
Fix the drawer bottom 15 and 16 to the drawer back 13 and 14 and the drawer front 10 and 11 using F.

To adjust the angle between the drawer sides and the drawer front push the fitting F sideways. See details.



## Step 7

Fix the wooden knobs G to the drawer front 10 and 11 using screws R.



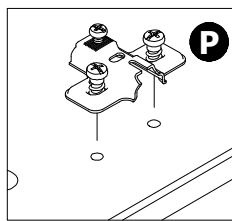
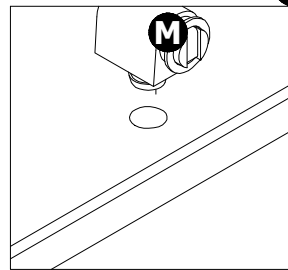
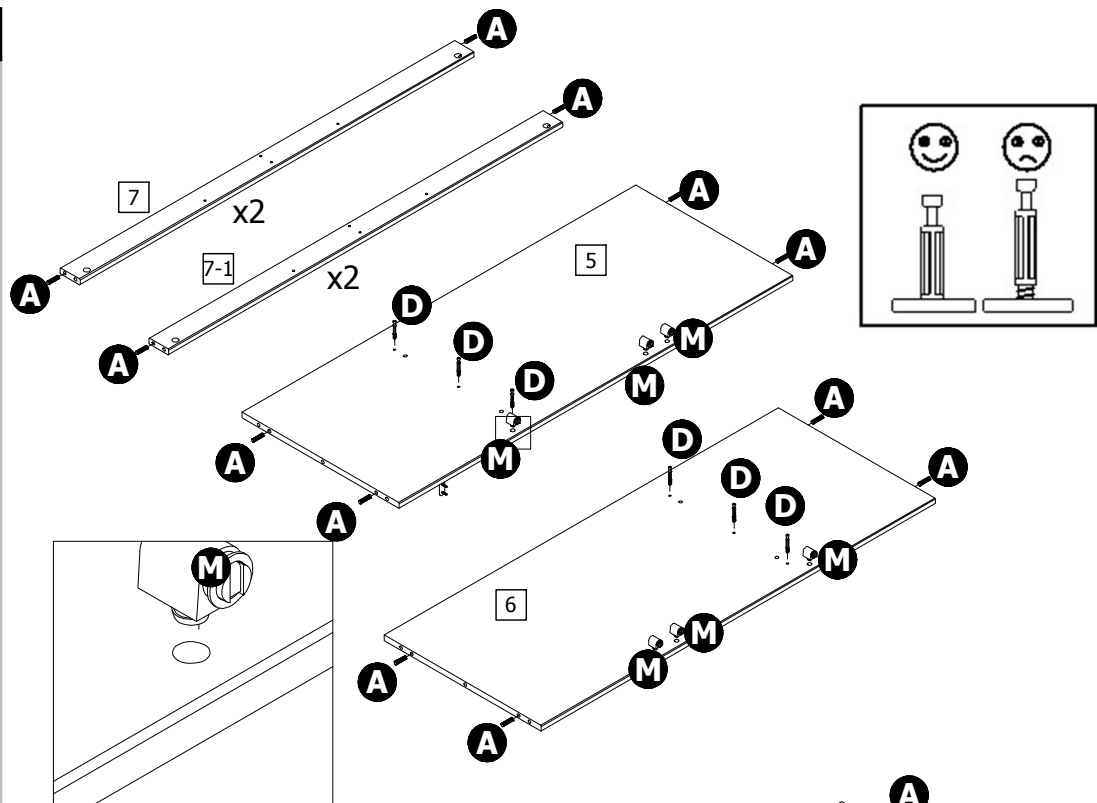
# Assembly Instructions

## Step 8

Knock down the dowels A into the holes indicated on the back plinths 7, the back plinths 7-1, the top 5 and the bottom 6 using a small hammer.

Screw the bolts C into the holes indicated on the top 5 and the bottom 6.

Press the magnets M into the holes indicated.

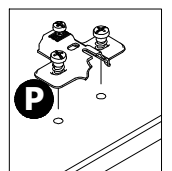
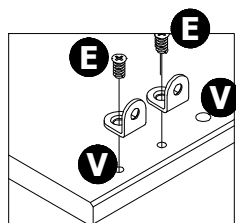
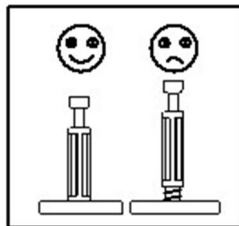
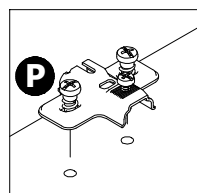
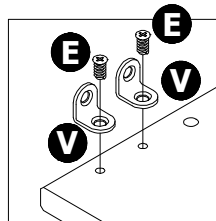
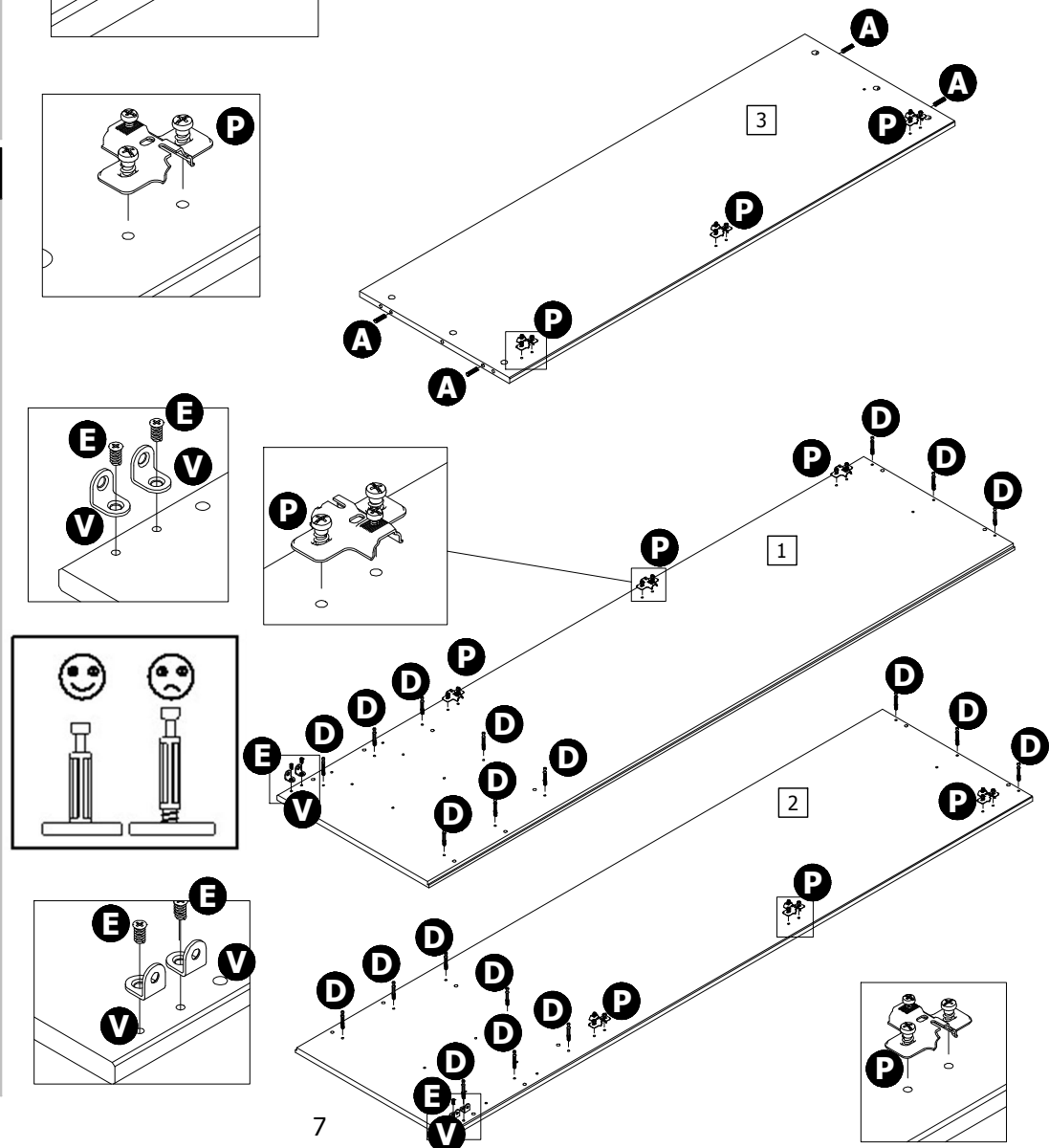


## Step 9

Knock down the dowels A into the holes indicated on divider 3.

Fix the crossplates P to the divider 3 and the sides 1 and 2 using the premounted screws. See details. Position the crossplate exactly as shown.

Fix the angles V to the sides 1 and 2 using screws E. Place the angles as shown. See details.

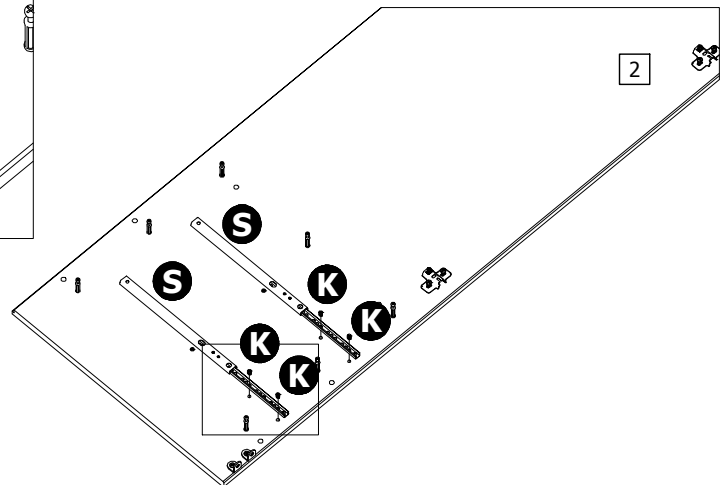
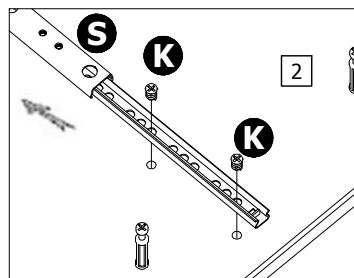
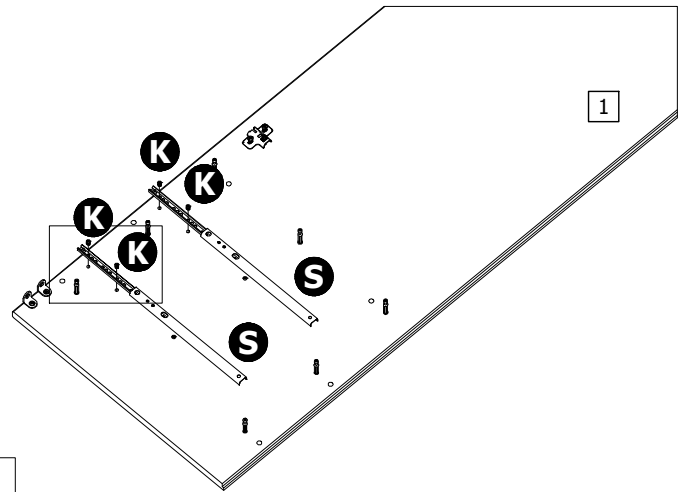
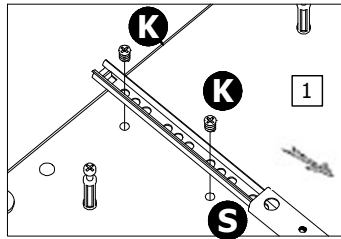


# Assembly Instructions

## Step 10

Slide the top of the drawer runners S backwards.

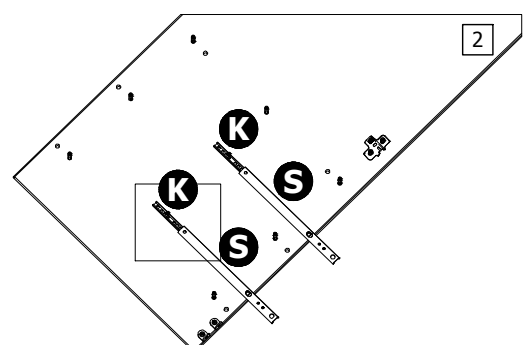
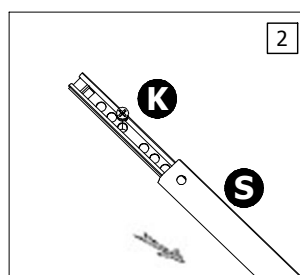
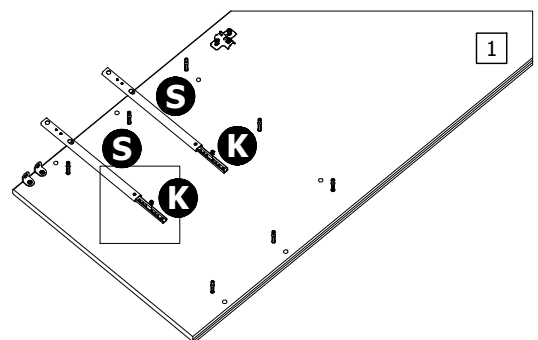
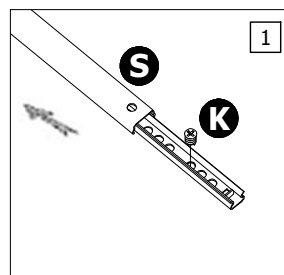
Fix the front end of the drawer runners S to the sides 1 and 2 using screws K into the holes indicated. See details.



## Step 11

Slide the top of the drawer runners S forwards.

Fix the backend of the drawer runners S to the sides 1 and 2 using screws K into the holes indicated. See details.





# Assembly Instructions

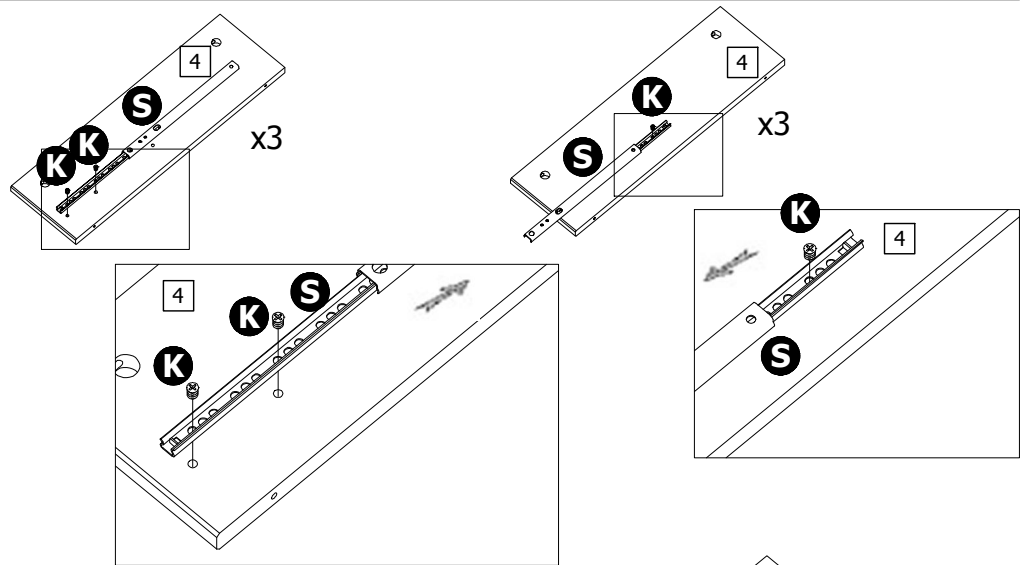
## Step 12

Slide the top of the drawer runners S backwards.

Fix the front end of the drawer runners S to the dividers into the holes indicated 4 using screws K. See details.

Slide the top of the drawer runners S forwards.

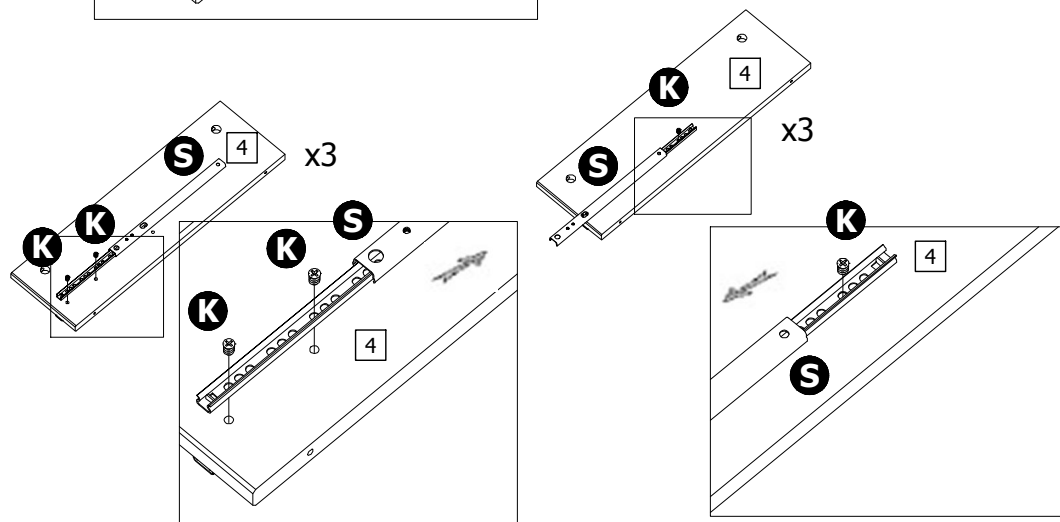
Fix the back end of the drawer runners S to the dividers 4 into the holes indicated 4 using screws K. See details.



## Step 13

Turn around the dividers 4.

Fix the drawer runners S to the dividers 4 as shown. Same procedure as step 12.



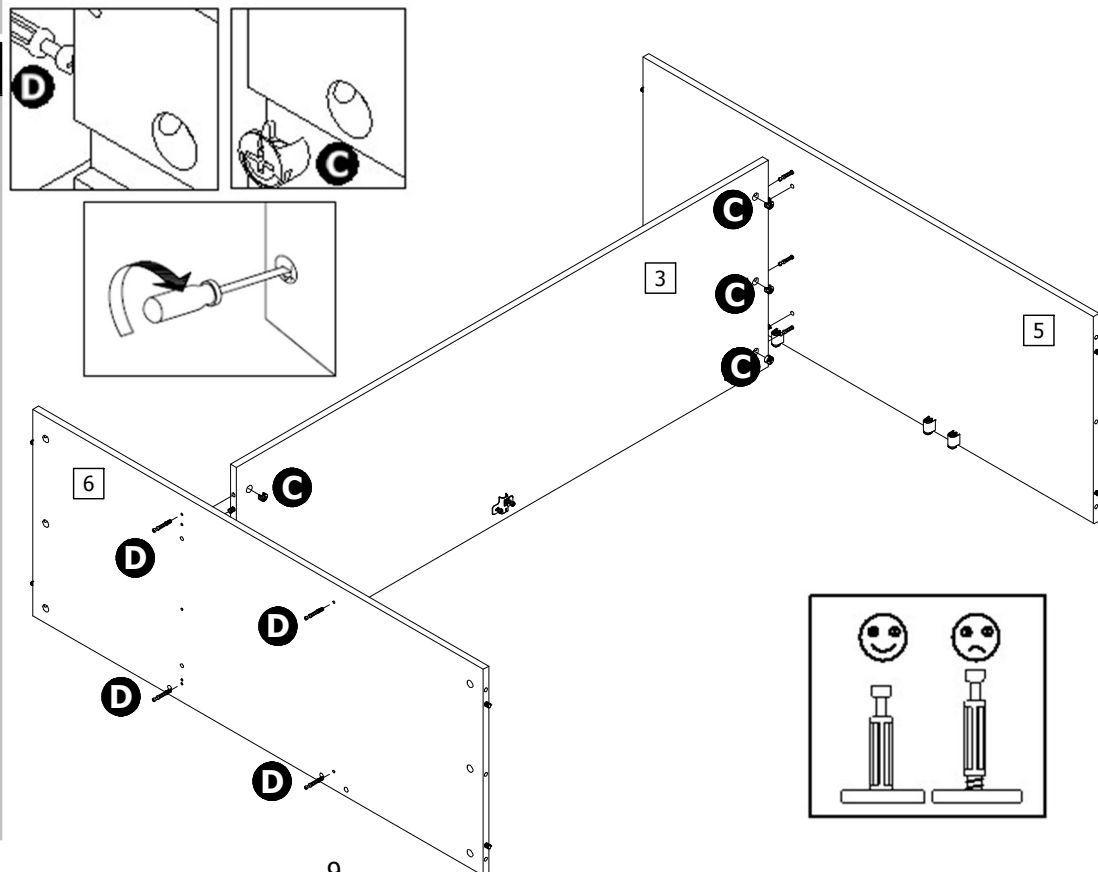
## Step 14

Place the top 5 and the bottom 6 onto the divider 3.

Push the cams C into the holes indicated on divider 3. arrow pointing towards the top 5 and the bottom 6.

Turn the cams C to the right to fix the top 5 and the bottom 6.

Finally screw the bolts D into the holes indicated on the bottom 6.



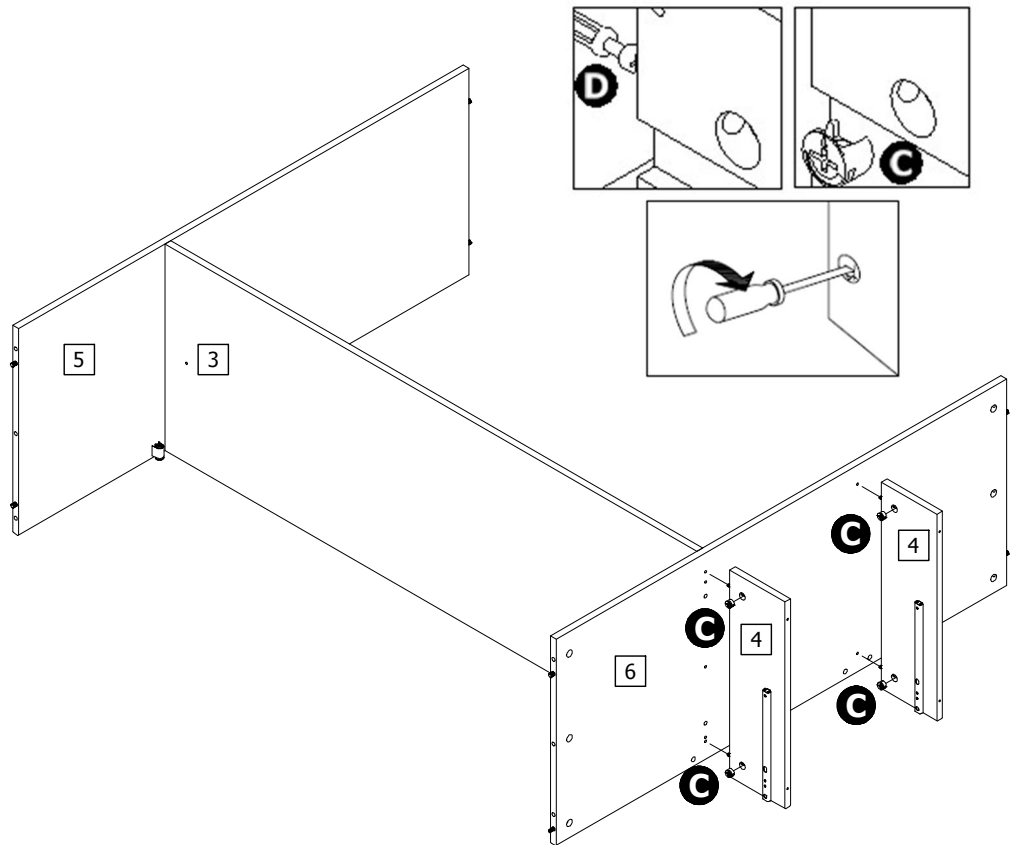
# Assembly Instructions

## Step 15

Place the dividers 4 onto the bottom 6.

Push cams C into the holes indicated. Arrow pointing towards the bottom.

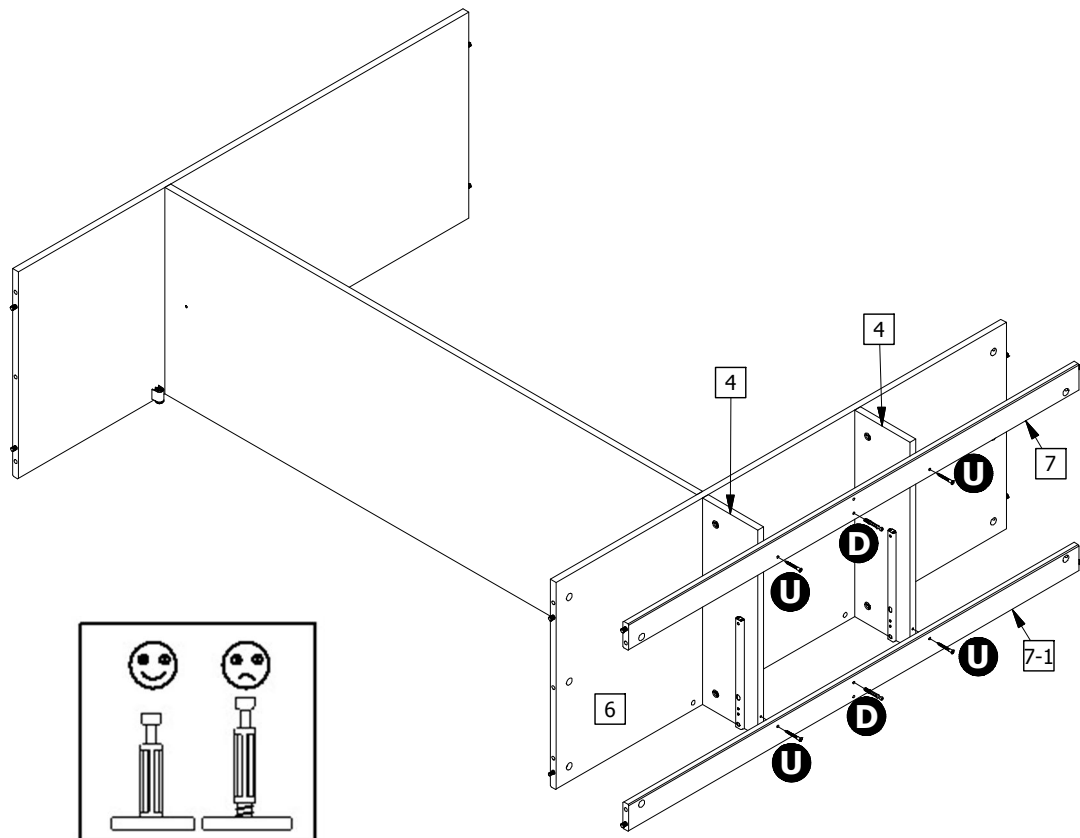
Turn the cams C to the right to fix the dividers 4.



## Step 16

Fix the plinth 7 and the plinth 7-1 onto the dividers 4 using screws U.

Screw the bolts D into the holes indicated on the plinth 7 and the plinth 7-1.



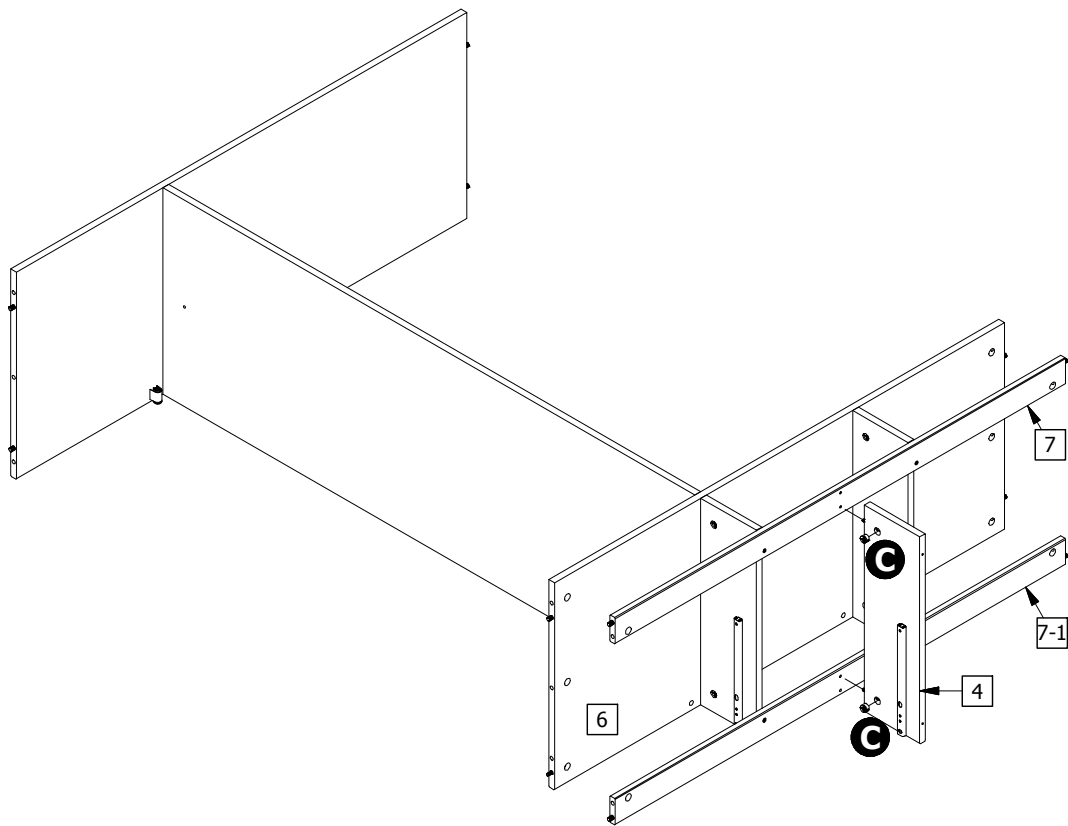
# Assembly Instructions

## Step 17

Place the divider 4 onto the plinth 7 and the plinth 7-1.

Push cams C into the holes indicated. Arrow pointing towards plinths 7 and 7-1.

Turn the cams C to the right to fix the divider 4.



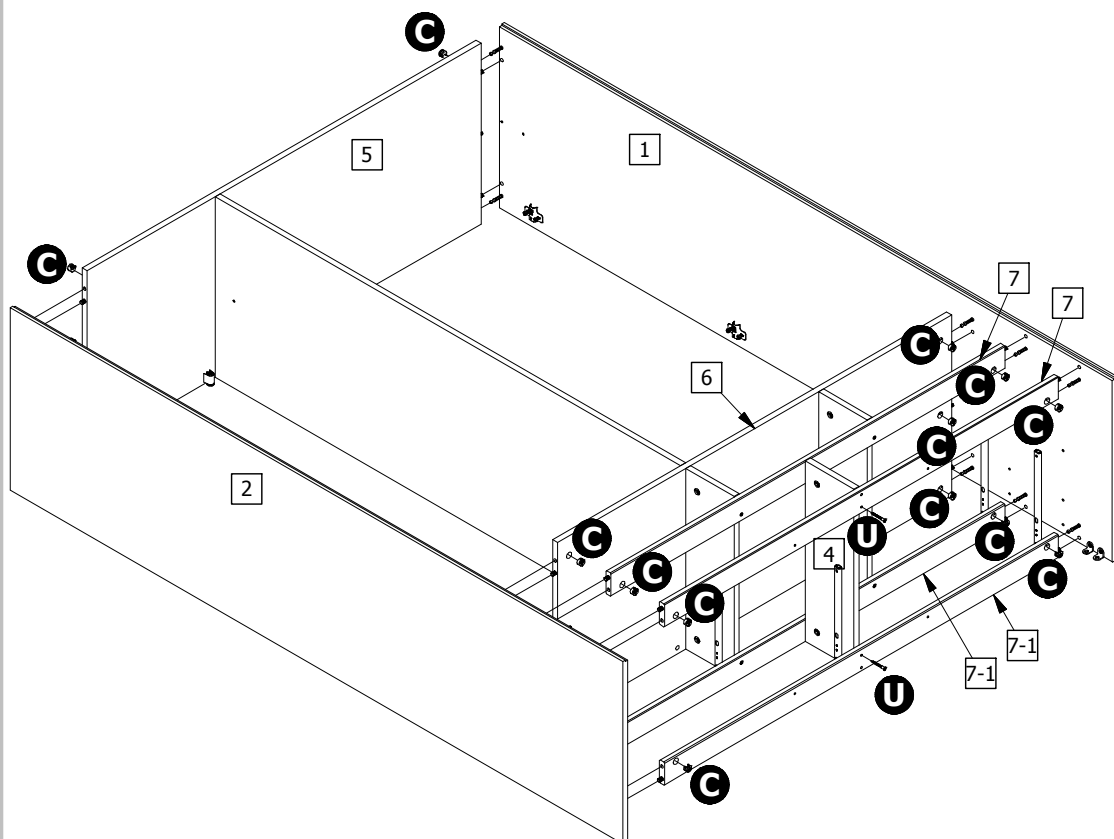
## Step 18

Place the sides 1 and 2 onto the top 5, the bottom 6 and the plinth 7 and 7-1.

Push cams C into the holes indicated. Arrow pointing towards the sides 1 and 2.

Turn the cams C to the right to fix the sides 1 and 2.

Fix the plinths 7 and 7-1 onto the divider 4 using screws U into the holes indicated.



# Assembly Instructions

## Step 19

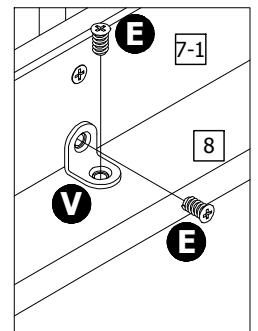
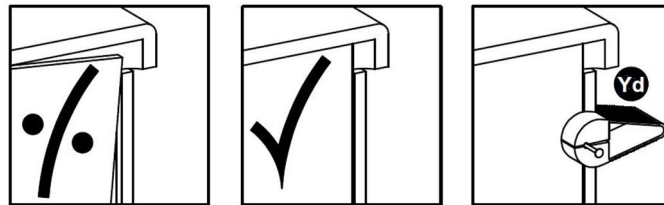
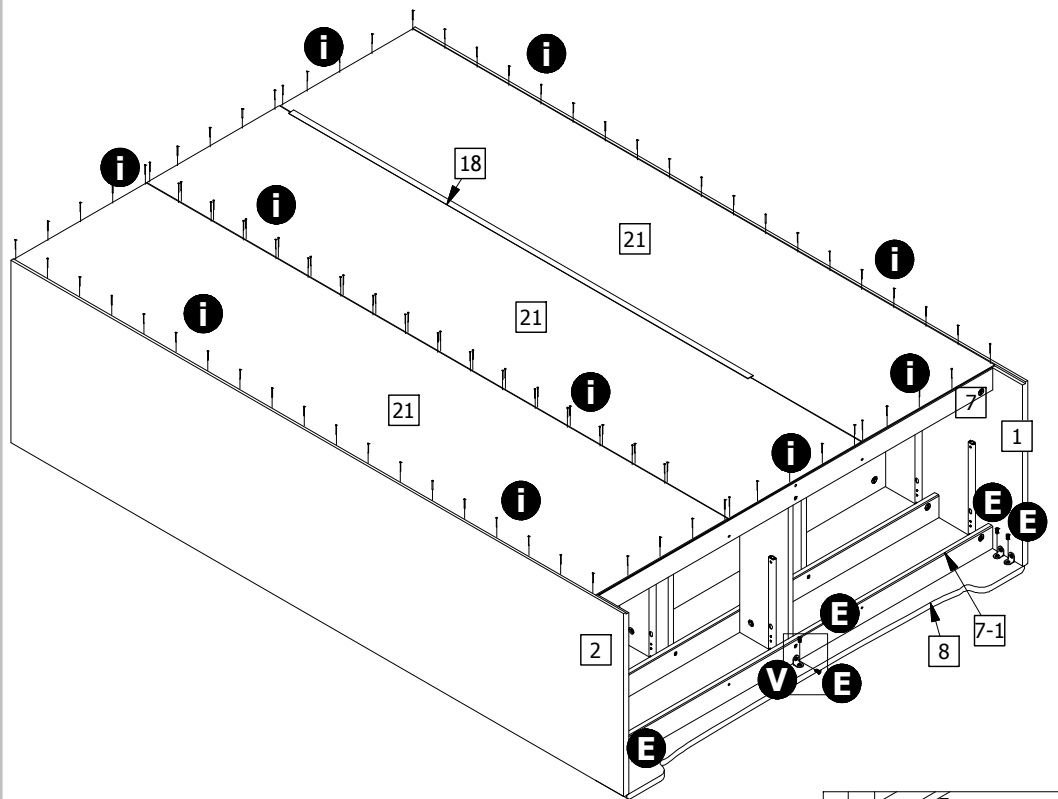
Place the backs 21 into the rebates in the sides 1 and 2, the top 5 and into the H-profile 18.



**Important!**  
Make sure the angle between the top and the sides is 90° when the back is attached

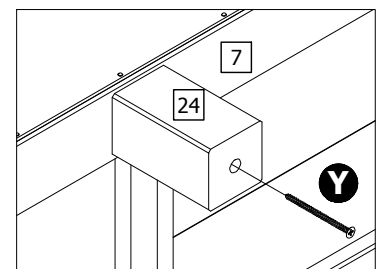
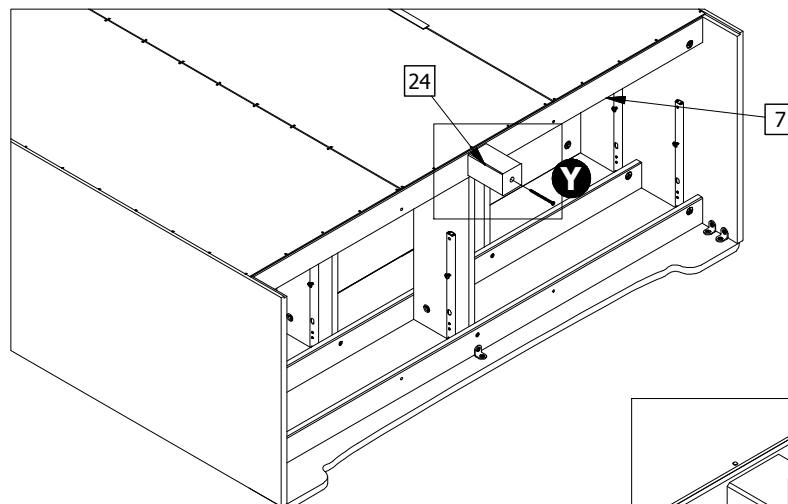
Fix the backs 21 to the top 5, the sides 1 and 2, the divider 3 and the plinth 7 using nails *i*. Use the nail holder *Yd* and a small hammer.

Fix the front plinth 8 onto the angles *V* using screws *E*.



## Step 20

Fix the foot 24 to the back plinth 7 using screw *Y*.

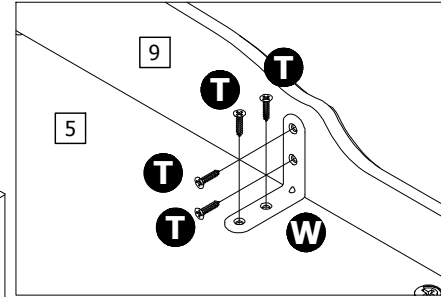
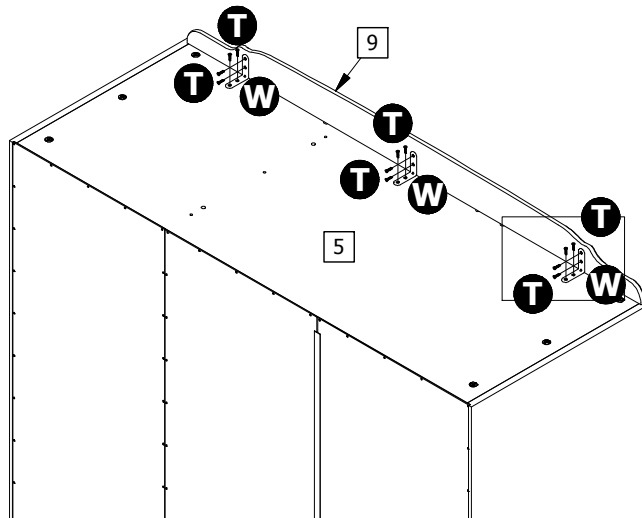


# Assembly Instructions

## Step 21

Place the top rail 9 onto the top 5.

Fix the top rail to the top using angles W and screws T.



## Step 22



**Warning!**  
The wardrobe is heavy. Lift with care.

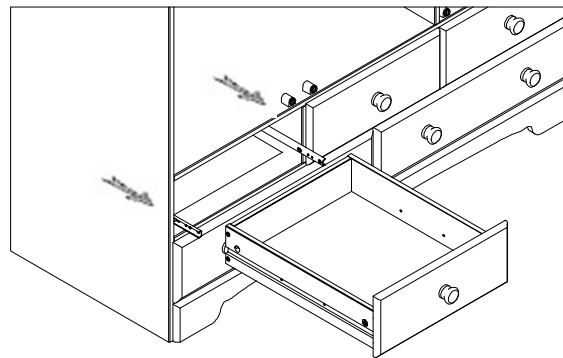
It is recommended that the wardrobe is fixed to the wall.

Use fittings J. Follow the instructions included with the fittings.

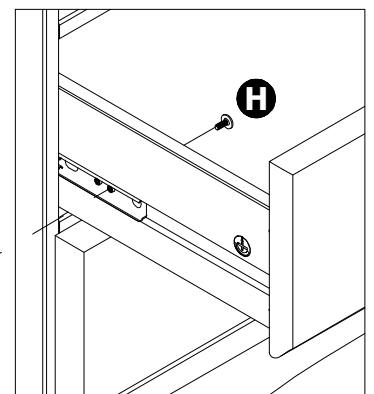
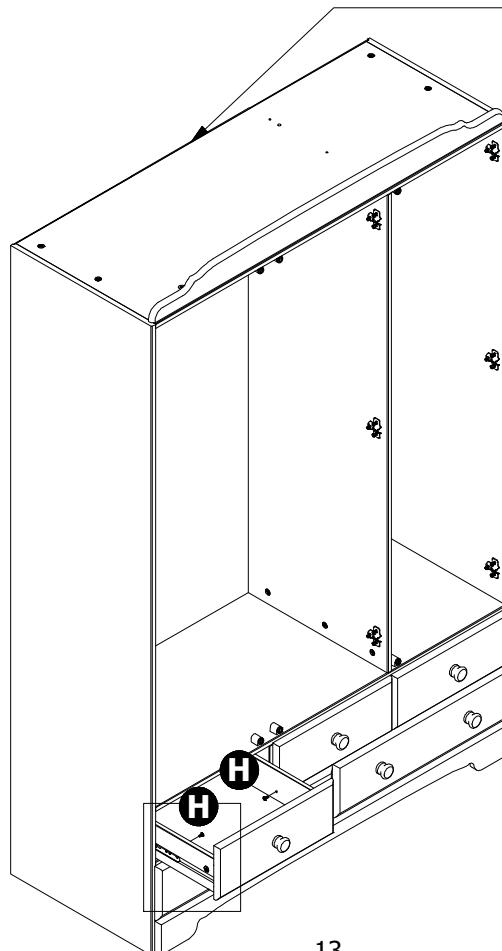
Pull out the drawer runners. Slide the drawers into the runners.

Fit and fix the lower drawer first and work your way up.

Fix the drawers to the drawer runners using screws H.



Wallstrap and instruction



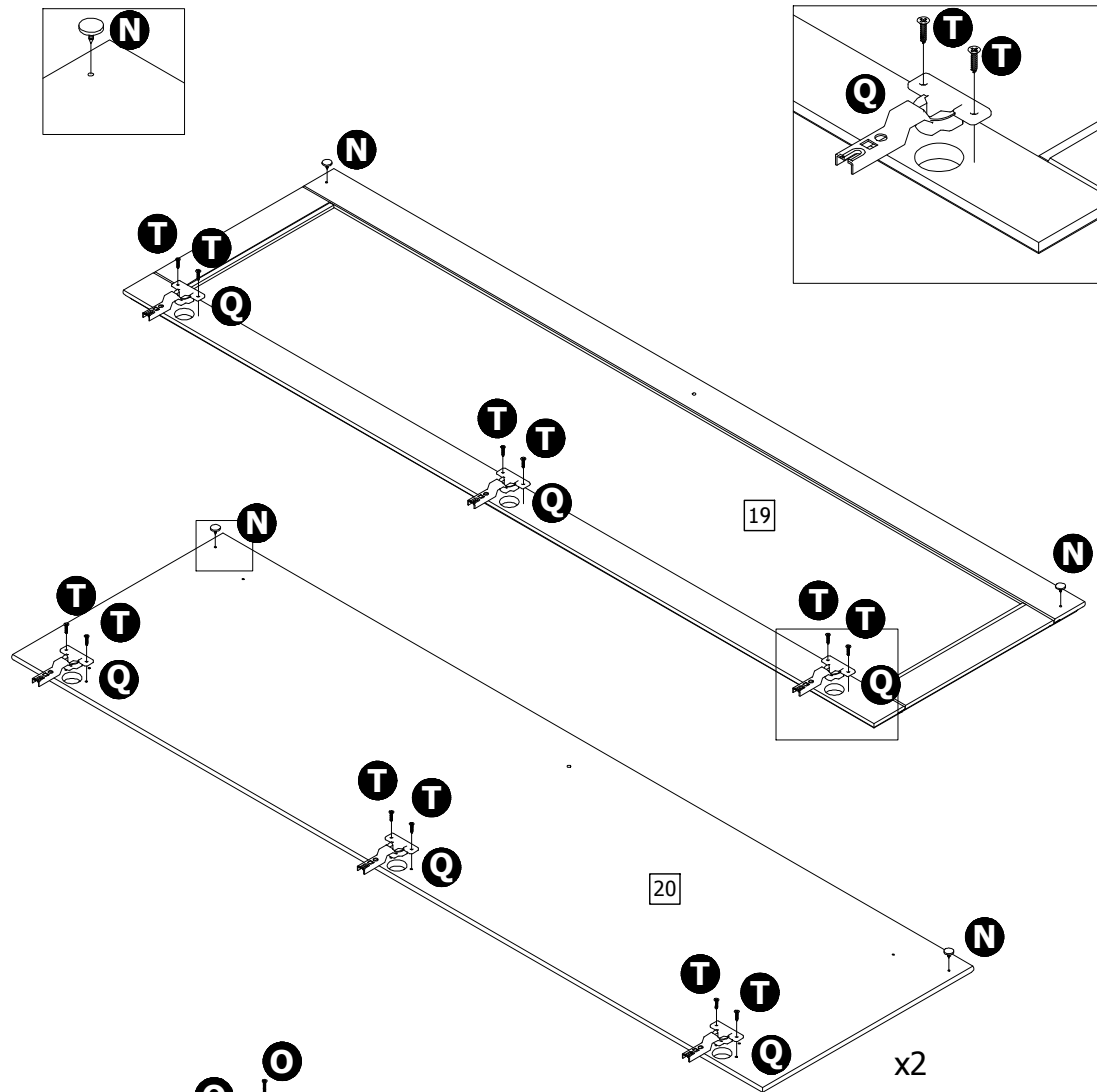
# Assembly Instructions

## Step 23

Place the cup hinges Q into the holes indicated on the doors 19 and 20.

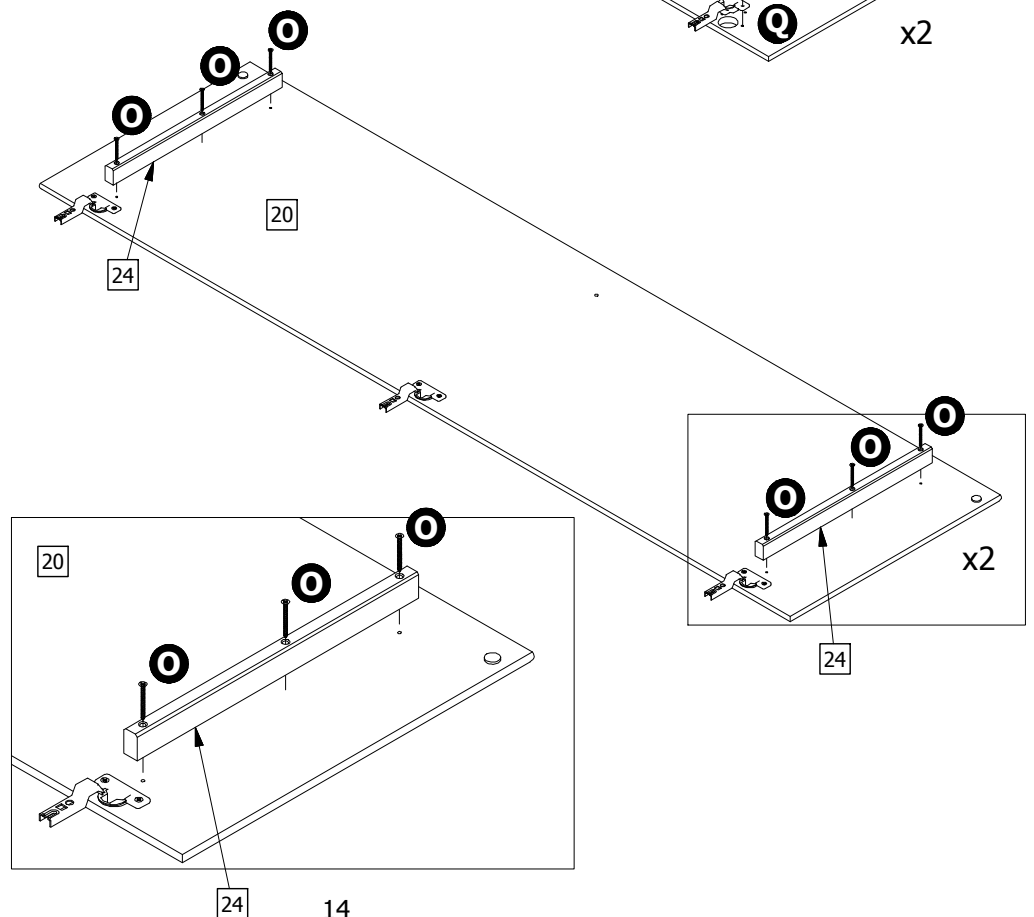
Fix the hinges using screws T.

Place the magnet catches N into the holes indicated on the doors using a small hammer.



## Step 24

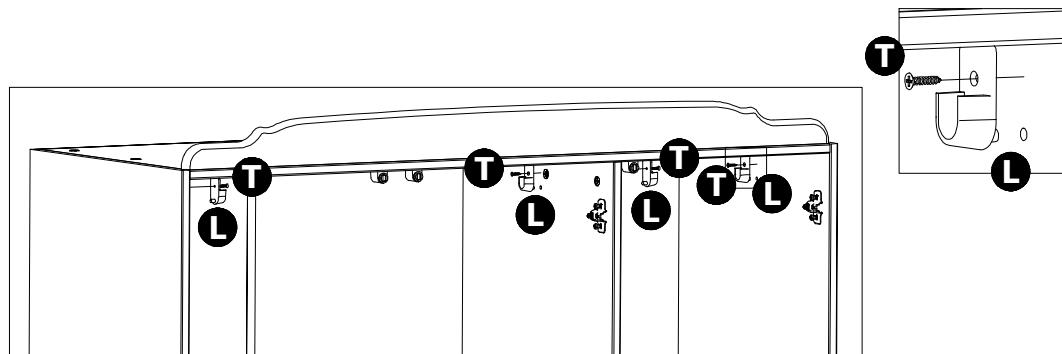
Fix the door rails 24 into the holes indicated on the doors 20 using screws O.



# Assembly Instructions

## Step 25

Fix the supports for hanger-rails L onto the holes indicated on the sides 1 and 2 and on both sides of the divider 3 using screws T.

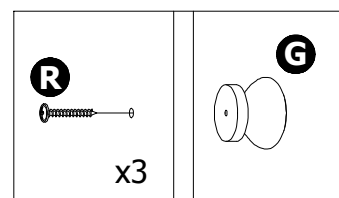
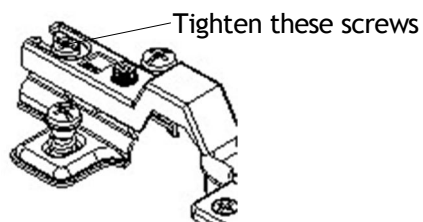
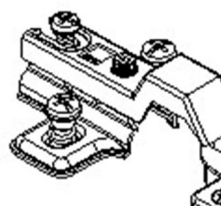
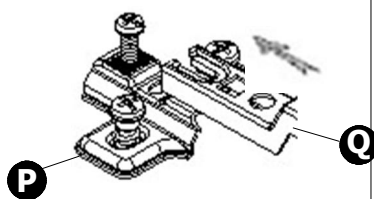
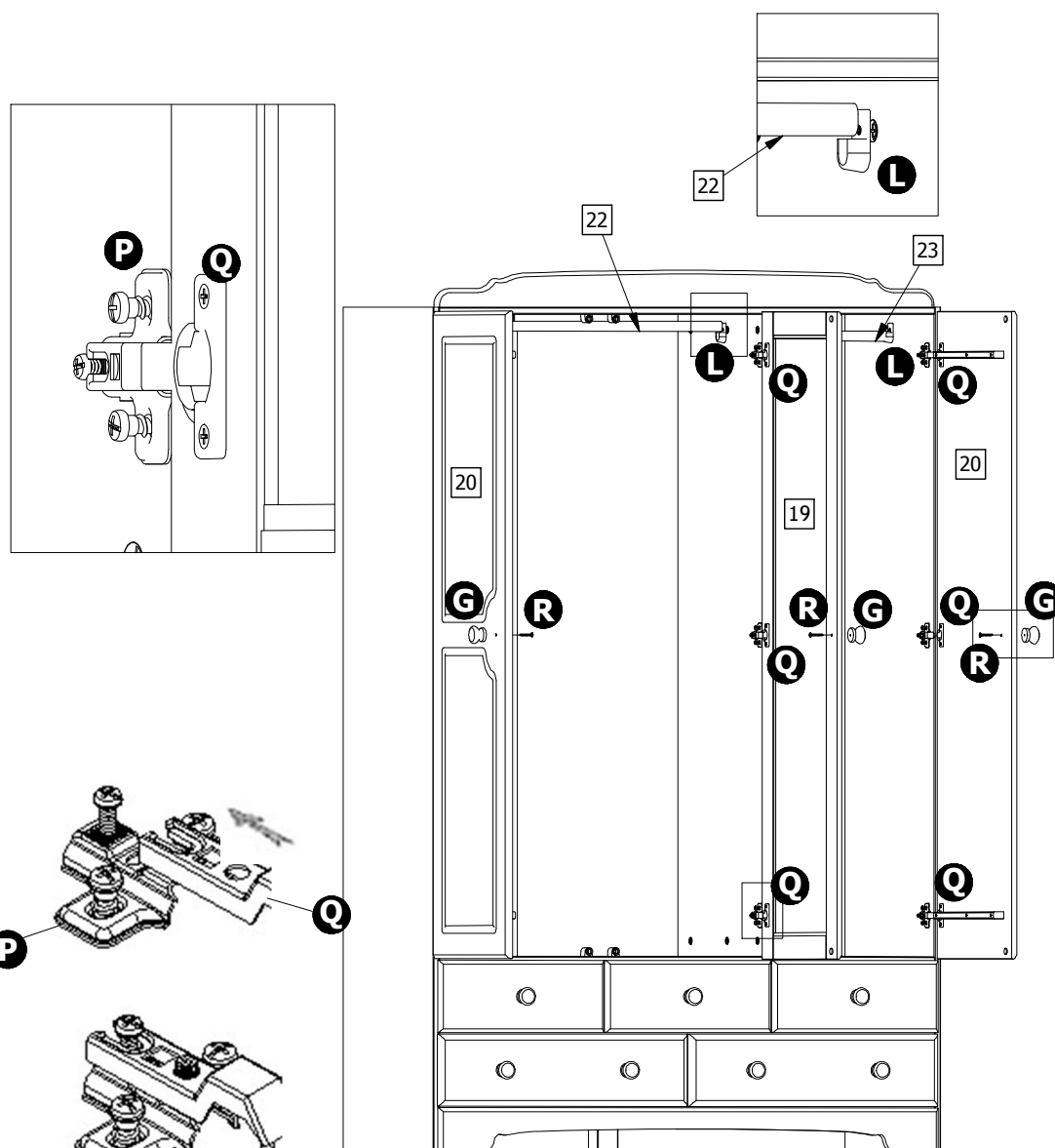


## Step 26

Place the hanger rail 22 and 23 into the supports L.

To fix the doors 19 and 20, slide the cup hinges Q onto the crossplates P. Fix the hinges using the premounted screw in the crossplates. See detail.

Fix the wooden knobs G to the doors 19 and 20 using screws R



# Assembly Instructions

## Step 27

### Adjusting the doors left/right.

**a:**  
To adjust the door towards the left hand side - turn the adjusting screw to the right.

**b:**  
To adjust the door towards the right hand side - turn the adjusting screw to the left.

### Adjusting the doors forwards/backwards.

**a:**  
Loosen the fixing screw.

**b:**  
Push the cup hinge/the door forwards or backwards to adjust.

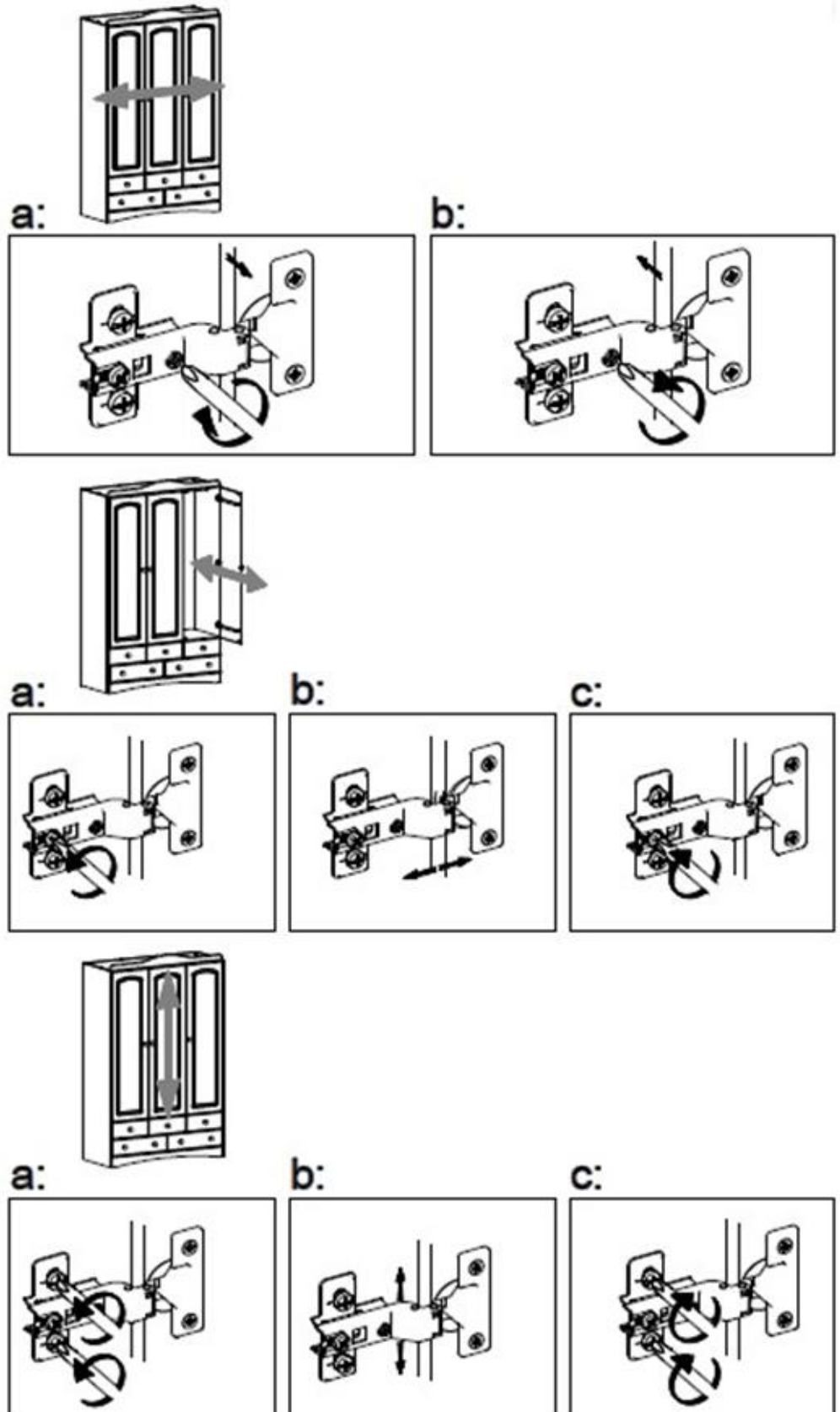
**c:**  
Tighten the fixing screws of ALL the crossplates.

### Adjusting the doors up/down.

**a:**  
Loosen the two pre-mounted screws of each crossplates, BUT ONLY as much as it will allow the crossplates to move up and down.

**b:**  
Push the door up or down to adjust.

**c:**  
Tighten the pre-mounted screws of ALL crossplates.



If you need help or have damaged or missing parts, **call the Customer Helpline: 0845 640 30 30**  
Home Retail Group - 489-499 Avebury Boulevard - Saxon Gate West - Central Milton Keynes MK9 2NW