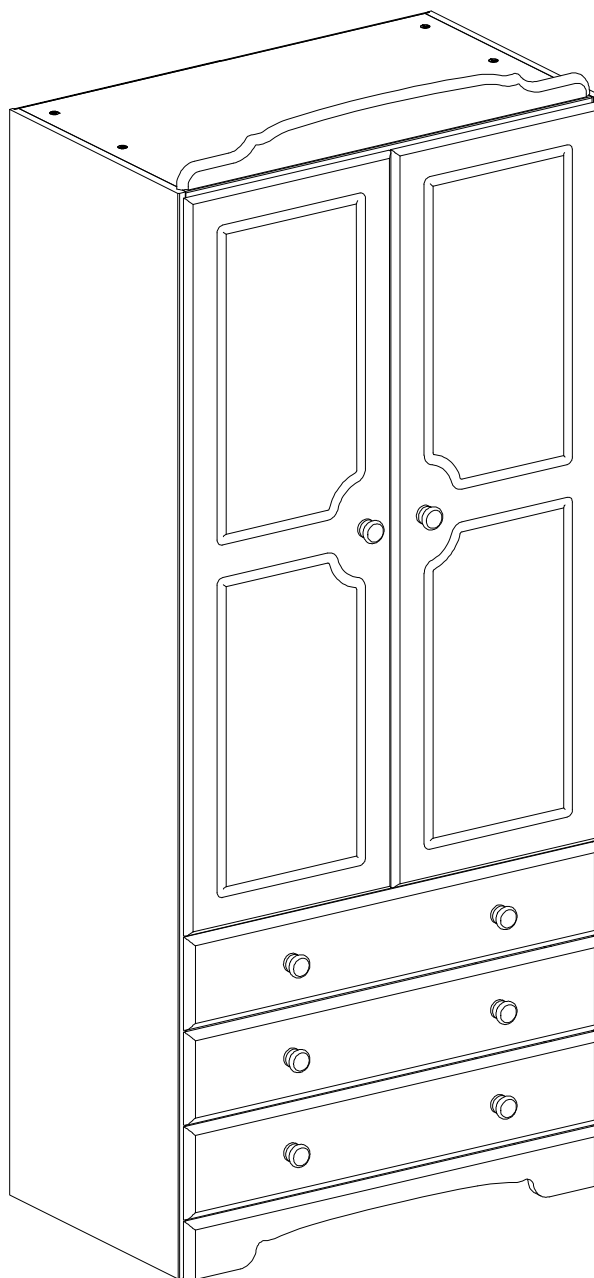


# Nordic - 2 Door 3 Drawer Wardrobe

Assembly Instructions - Please keep for future reference

1574793



## Dimensions

Width : 81.1 cm

Depth : 49,0 cm

Height : 191,3 cm

**Important - Please read these instructions fully before starting assembly**

If you need help or have damaged or missing parts, call the Customer Helpline: 0845 640 30 30



# Safety and Care Advice

**Important - Please read these instructions fully before starting assembly**

- Check you have all the components and tools listed on pages 3 and 4.
- Remove all fittings from the plastic bags and separate them into their groups.
- Keep children and animals away from the work area, small parts could choke if swallowed.
- Make sure you have enough space to layout the parts before starting.

- Do not stand or put weight on the product, this could cause damage.
- Assemble the item as close to its final position (in the same room) as possible.
- Assemble on a soft level surface to avoid damaging the unit or your floor.
- Parts of the assembly will be easier with 2 people.



- We do not recommend the use of power drill/drivers **for inserting screws**, as this could damage the unit. Only use hand screwdrivers.
- Dispose of all packaging carefully and responsibly.

## Care and maintenance

- Only clean using a damp cloth and mild detergent, do not use bleach or abrasive cleaners.
- From time to time check that there are no loose screws on this unit.
- This product should not be discarded with household waste. Take to your local authority waste disposal centre.

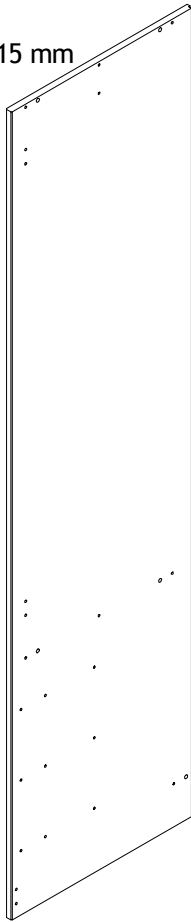
**Note:** if required the next page can be cut out and used as reference throughout the assembly. Keep this page with these instructions for future reference.

# Components - Panels

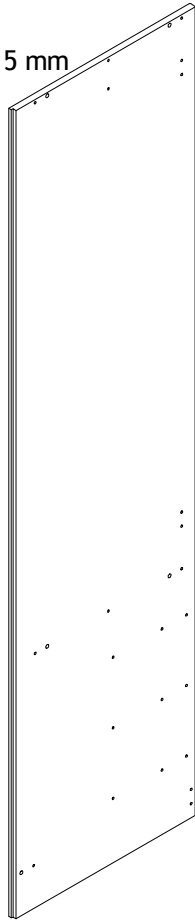
If you have damaged or missing components, call the **Argos Customer Helpline: 0845 640 30 30**

Please check you have all the panels listed below

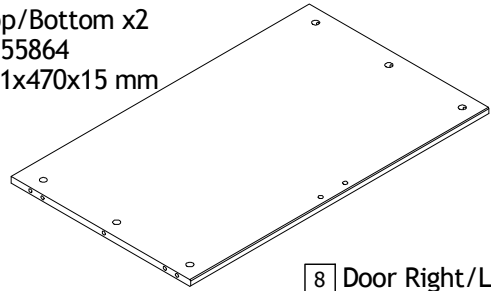
1 Side, Left  
V155843  
1833x475x15 mm



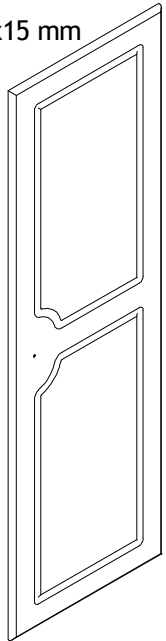
2 Side, Right  
V155838  
1833x475x15 mm



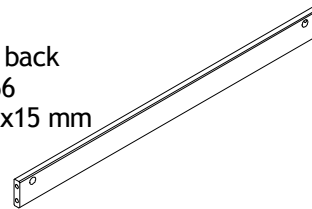
3 Top/Bottom x2  
V155864  
781x470x15 mm



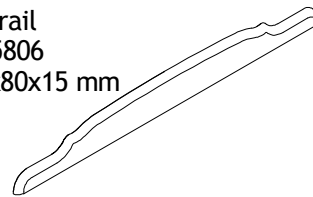
8 Door Right/Left x2  
V155819  
1245x395x15 mm



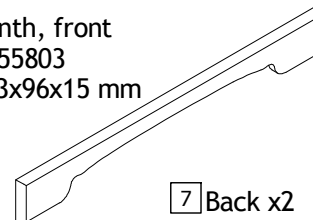
4 Plinth, back  
P155866  
781x60x15 mm



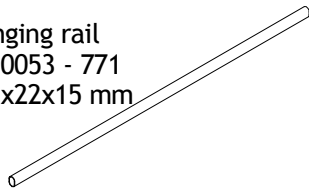
6 Top rail  
V155806  
792x80x15 mm



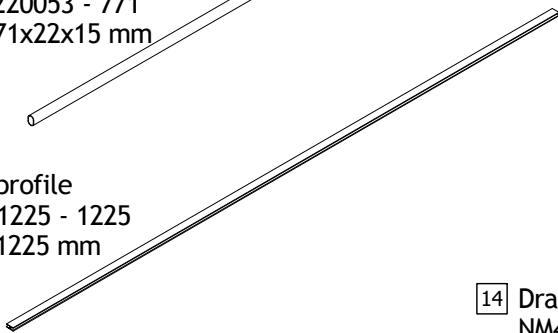
5 Plinth, front  
V155803  
793x96x15 mm



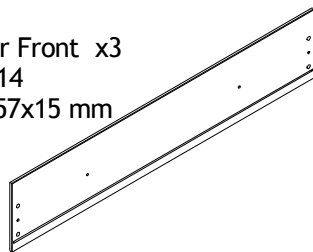
10 Hanging rail  
L220053 - 771  
771x22x15 mm



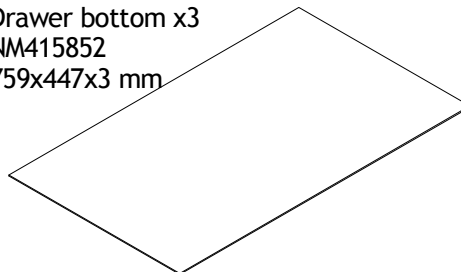
15 H-profile  
B81225 - 1225  
4x1225 mm



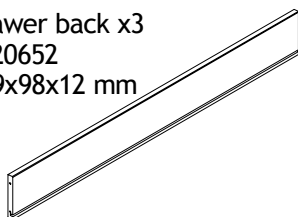
11 Drawer Front x3  
V155814  
793x157x15 mm



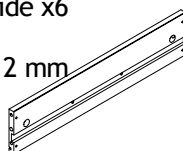
14 Drawer bottom x3  
NM415852  
759x447x3 mm



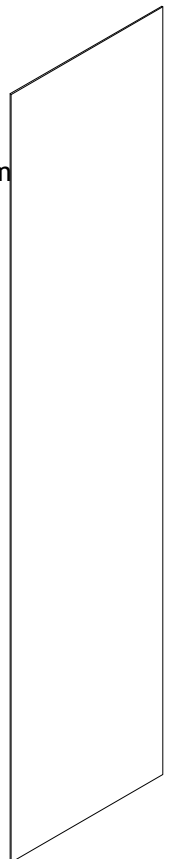
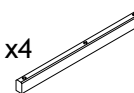
13 Drawer back x3  
S120652  
749x98x12 mm



12 Drawer side x6  
S120654  
450x98x12 mm



16 Door rail x4  
V155827  
316x25x15 mm



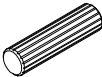
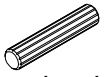
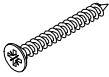
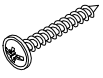

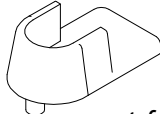

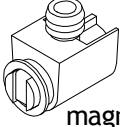

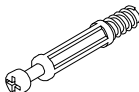
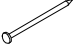
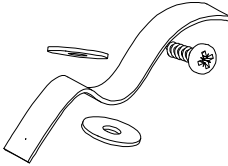


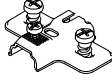
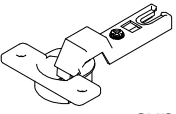
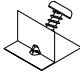
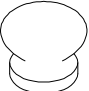
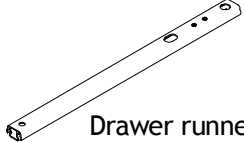


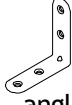
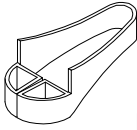
7 Back x2  
NM415853  
1741x397x3 mm

# Components - Fittings

If you have damaged or missing components, call the **Argos Customer Helpline: 0845 640 30 30**

Please check you have all the panels listed below

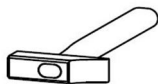
**Note:** The quantities below are the correct amount to complete the assembly. In some cases more fittings may be supplied than are required.

<b>A</b>  BA10390 ø8x30 mm wooden dowel x10	<b>B</b>  BA10400 ø6x30 mm wooden dowel x12	<b>O</b>  BA10130 ø4,0x35 mm screw x12
<b>R</b>  BA10170 ø4,0x35 mm screw x20	<b>T</b>  BA10050 ø3,5x15 mm screw x18	<b>L</b>  BA10731 15x22 mm support for hanger x2
<b>C</b>  BA10590 ø15x9,5 mm cam x20	<b>M</b>  BA10715-1 ø10x8 mm magnet x4	<b>N</b>  BA10715-2 ø10x8 mm magnet catch x4
<b>D</b>  BA10603 ø5/11x34 mm bolt x20	<b>i</b>  BA10025 ø1,2x20 mm nail x50	<b>J</b>  BA182002 wallstrap and instruction
<b>K</b>  BA10270 ø5,8x8 mm screw x18	<b>E</b>  BA10240 ø6,1x11,5 mm screw x8	
<b>P</b>  BA10532 0 mm/37 mm crossplate x4	<b>Q</b>  BA10508 ø26 cup hinge x4	<b>F</b>  BA10833 15x15x10 mm x6
<b>G</b>  BA10468 ø40x30 mm Wooden knob x8	<b>S</b>  B14359 17x246 mm Drawer runner x6	<b>H</b>  BA10191 M4x9 mm screw x6
<b>V</b>  BA10801 20x20x2 angle x4	<b>W</b>  BA10815 50x50x2 mm angle x2	<b>Yd</b>  Ba10688 500x250x Nail holder x1

## Tools required



Flatblade screwdriver  
(Medium)



Hammer



Phillips screwdriver  
(Medium & large)

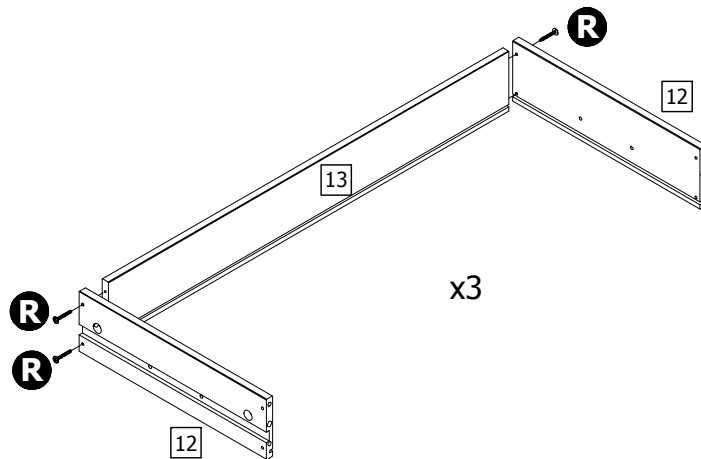
Ruler - Use this ruler to help correctly identify the screws



# Assembly Instructions

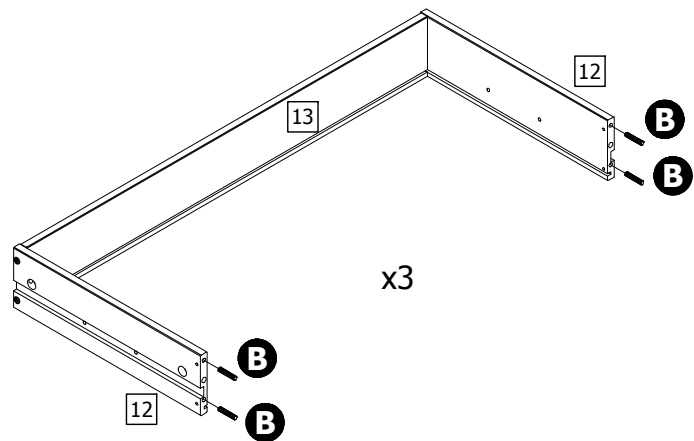
## Step 1

Fix the drawer sides 12 to the drawer back 13 as shown, using screws R.



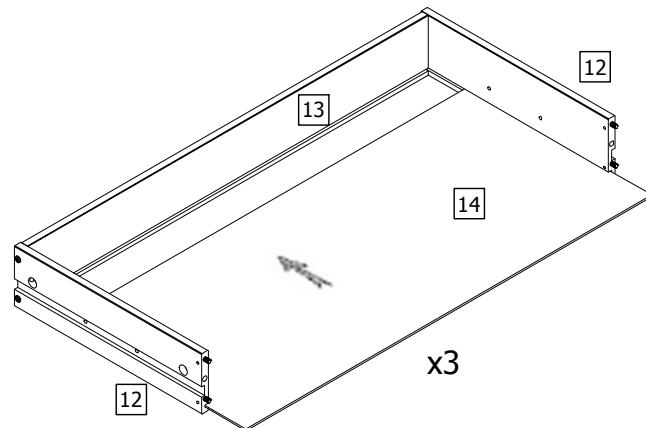
## Step 2

Knock down the dowels B into the holes indicated on the drawer sides 12, using a small hammer.



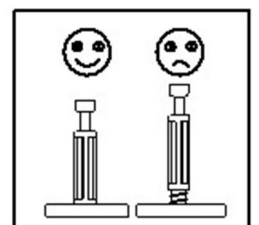
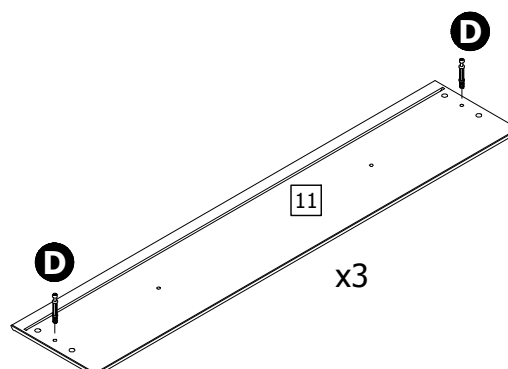
## Step 3

Slide the drawer bottom 14 into the drawer sides 12.



## Step 4

Screw the bolts D into the holes indicated on the drawer fronts 11.



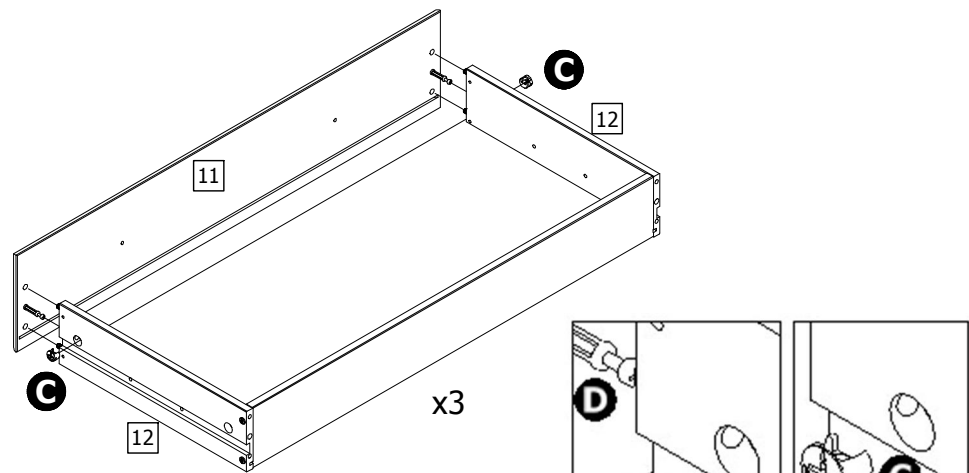
# Assembly Instructions

## Step 5

Push the drawer front 11 onto the the drawer sides 12 as shown.

Push cams C into the holes indicated. Arrow pointing towards the front.

Turn the cams C to the right to fix the front 11



## Step 6

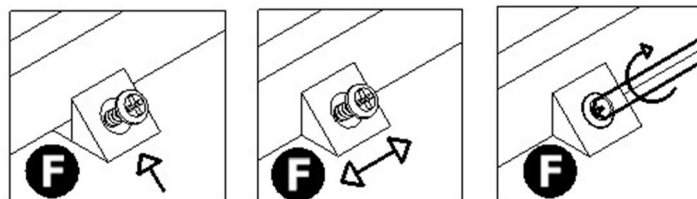
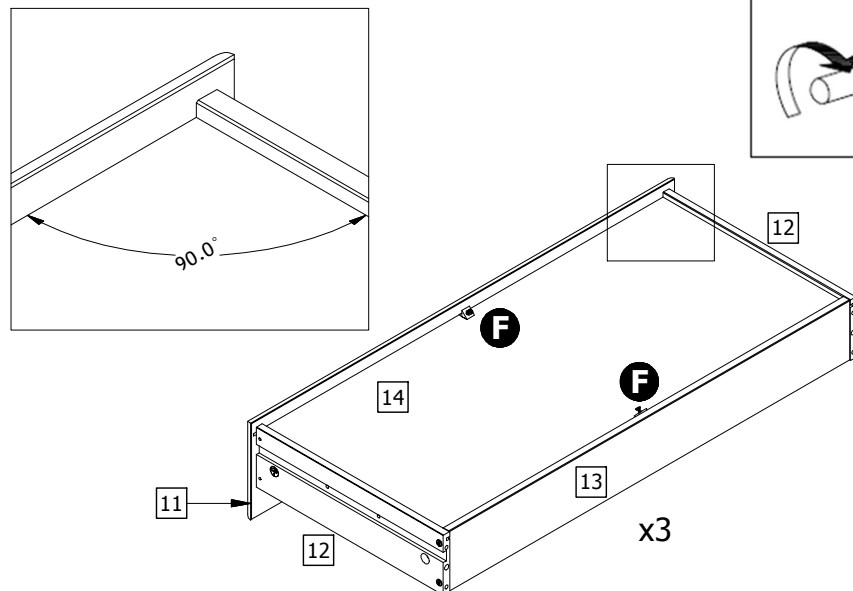
### Important!

Make sure the angle between the drawer front

11 and the drawer sides 12 is  $90^\circ$  before the drawer bottom is fixed.

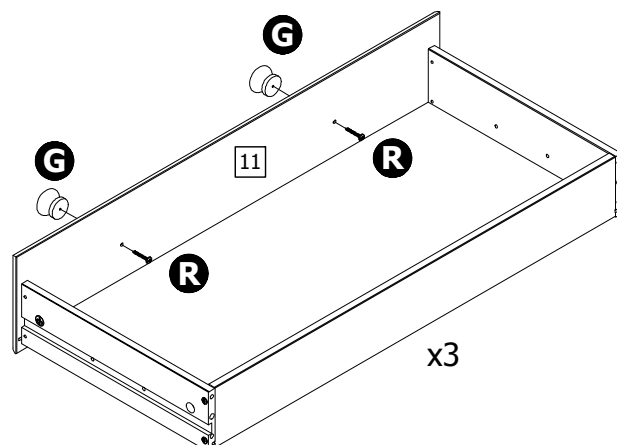
Fix the drawer bottom 14 to the drawer back 13 and the drawer front 11 using F.

To adjust the angle between the drawer sides and the drawer front push the fitting F sideways. See details.



## Step 7

Fix the wooden knobs G to the drawer front 11 using screws R.



# Assembly Instructions

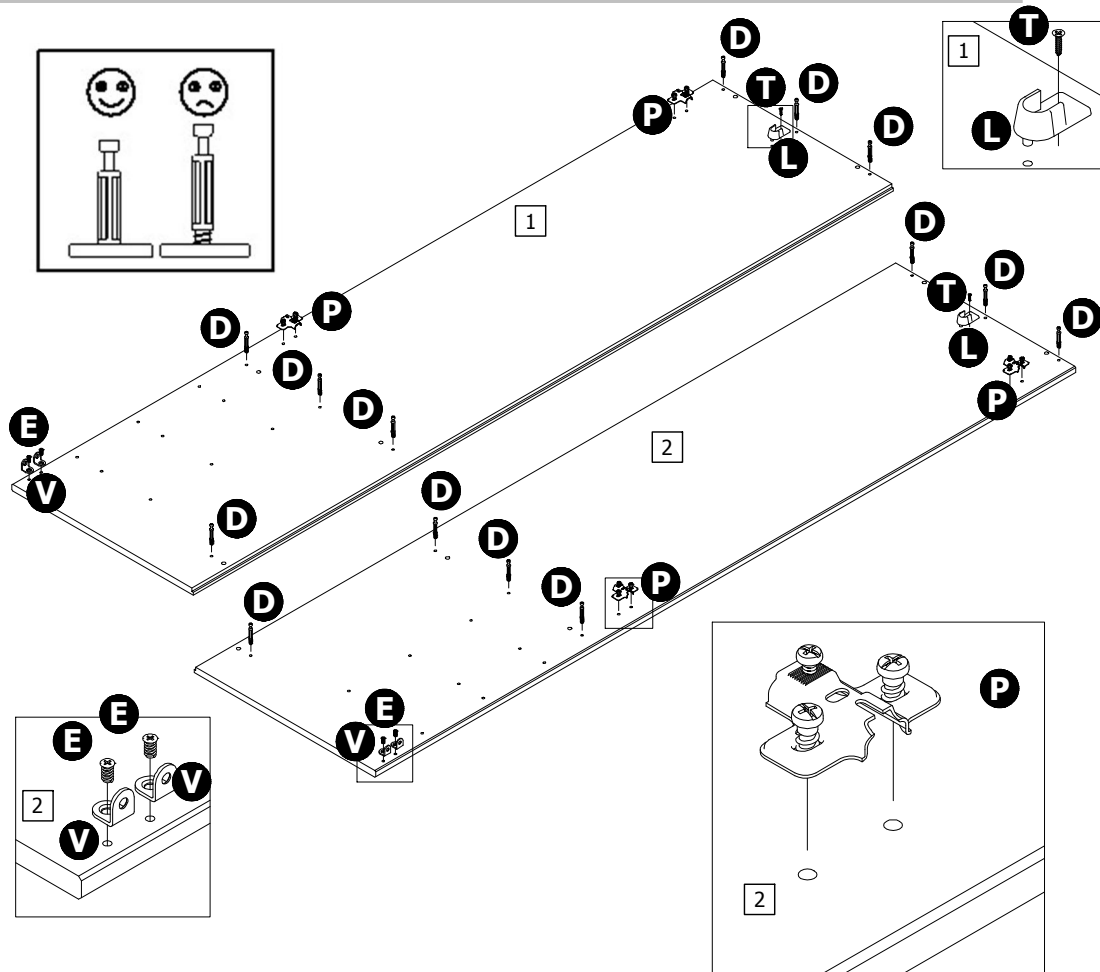
## Step 8

Fix the support for hanger rail L to the sides 1 and 2 using screws T.

Fix the crossplates P to the sides 1 and 2 using the premounted screws. See details. position the crossplate exactly as shown.

Screw the bolts D into the holes indicated.

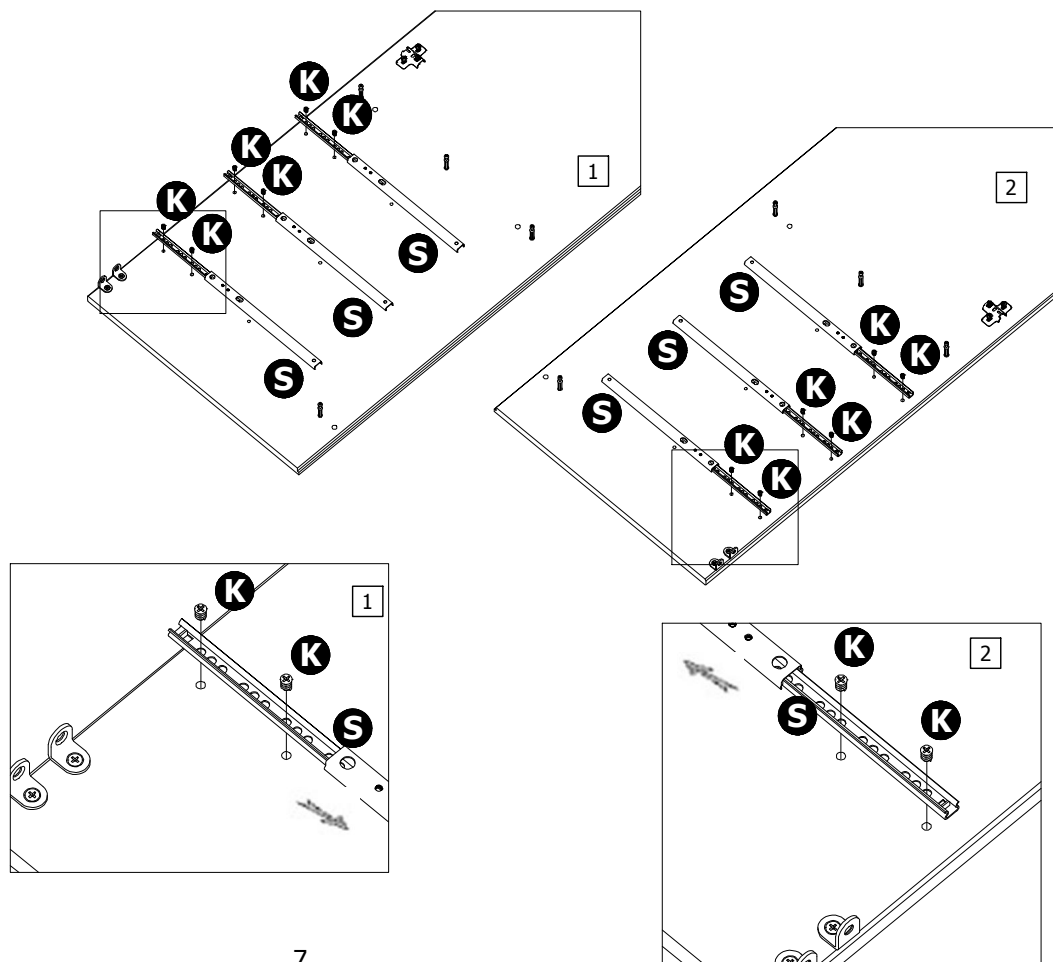
Fix the angles V to the sides 1 and 2 using screws E. Place the angles as shown. See details.



## Step 9

Slide the top of the drawer runners S backwards.

Fix the front end of the drawer runners S to the sides 1 and 2 using screws K into the holes indicated. See details.

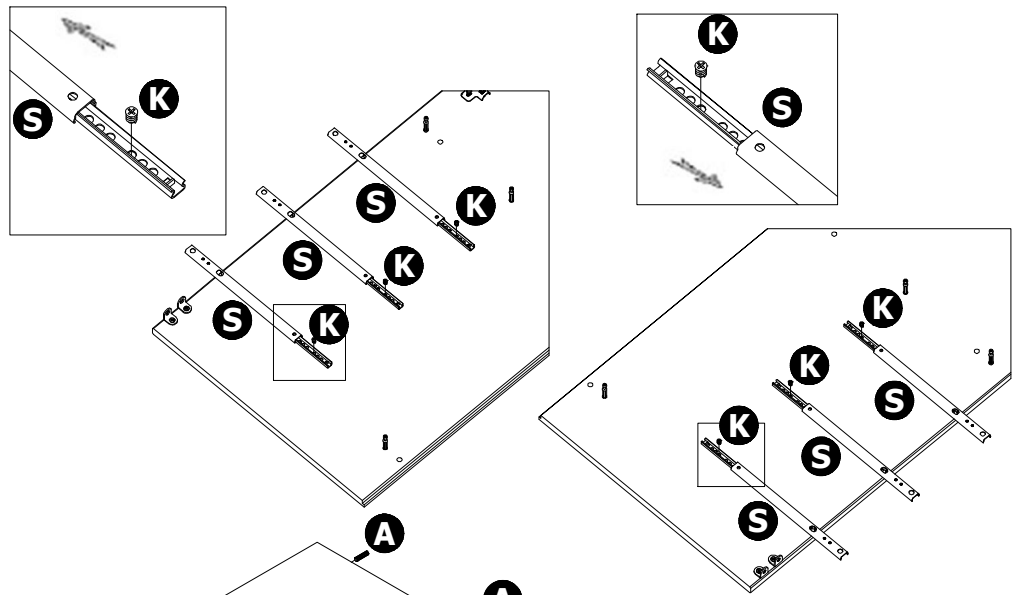


# Assembly Instructions

## Step 10

Slide the top of the drawers runners S forwards.

Fix the backend of the drawer runners S to the sides 1 and 2 using screws K through the holes indicated. See details.

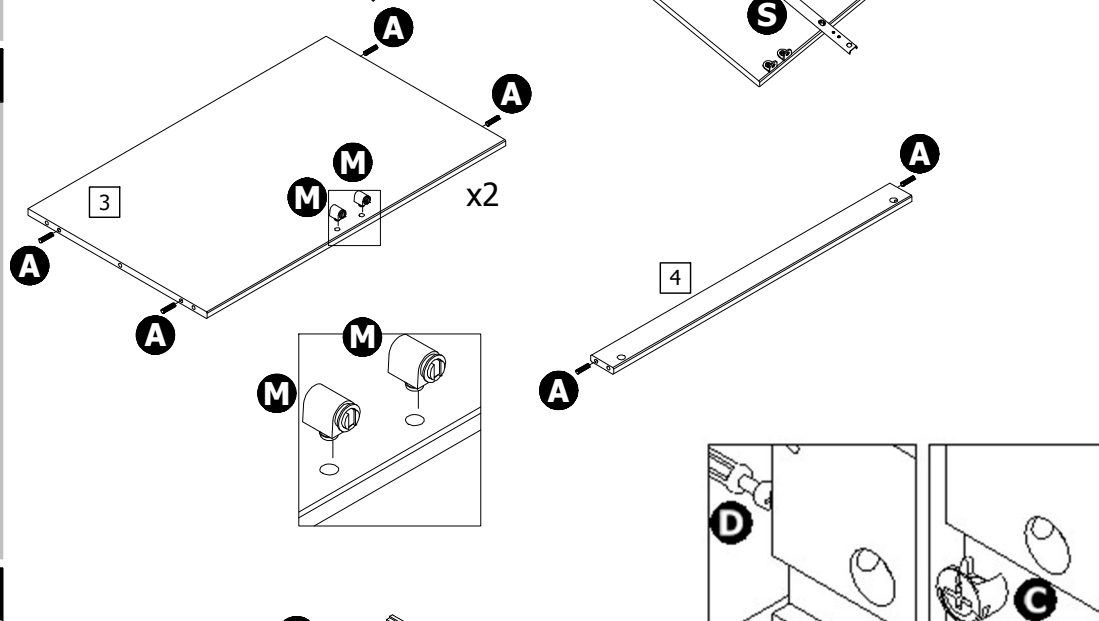


## Step 11

Knock the dowels A into the holes indicated on the top/bottom 3 using a small hammer.

Press the magnets M into the holes indicated.

Knock the dowels A into the holes indicated on the back plinth 4. using a small hammer.

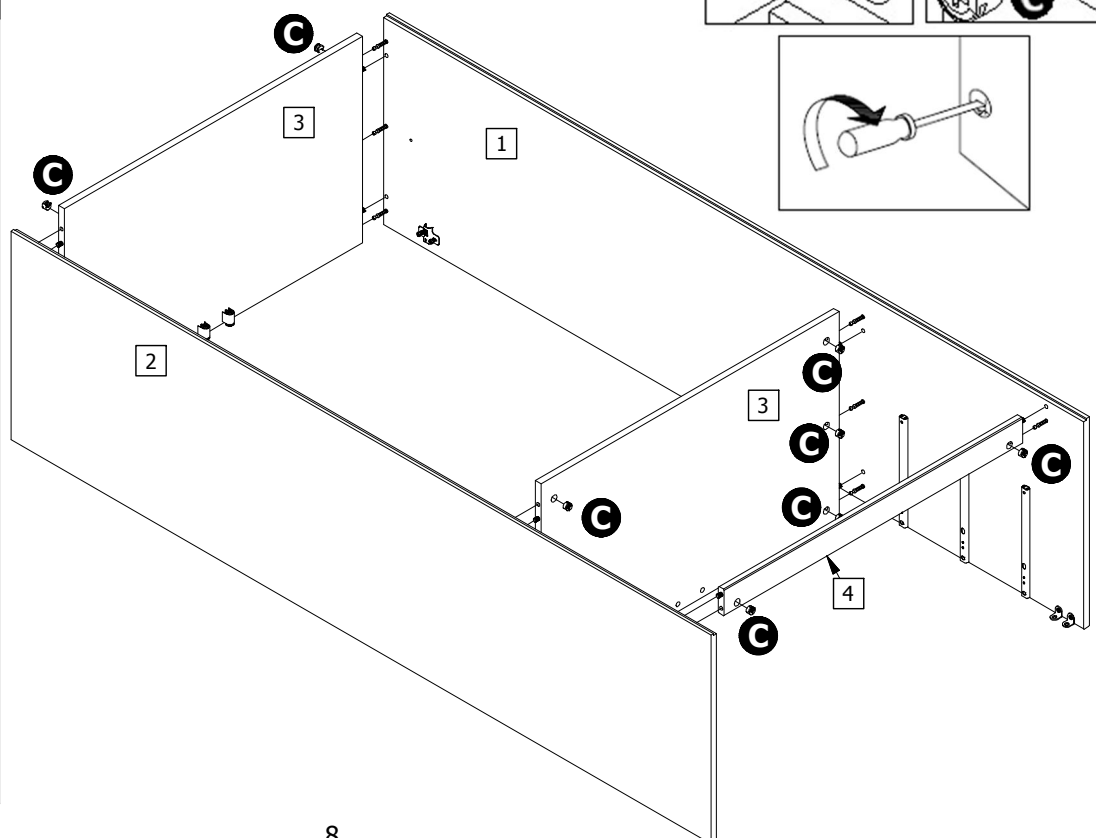


## Step 12

Place the sides 1 and 2 onto the top 3, the bottom 3 and the back plinth 4.

Push the cams C into the holes indicated. Arrow pointing towards the sides 1 and 2.

Turn the cams C to the the right to fix the top, bottom and the back plinth.

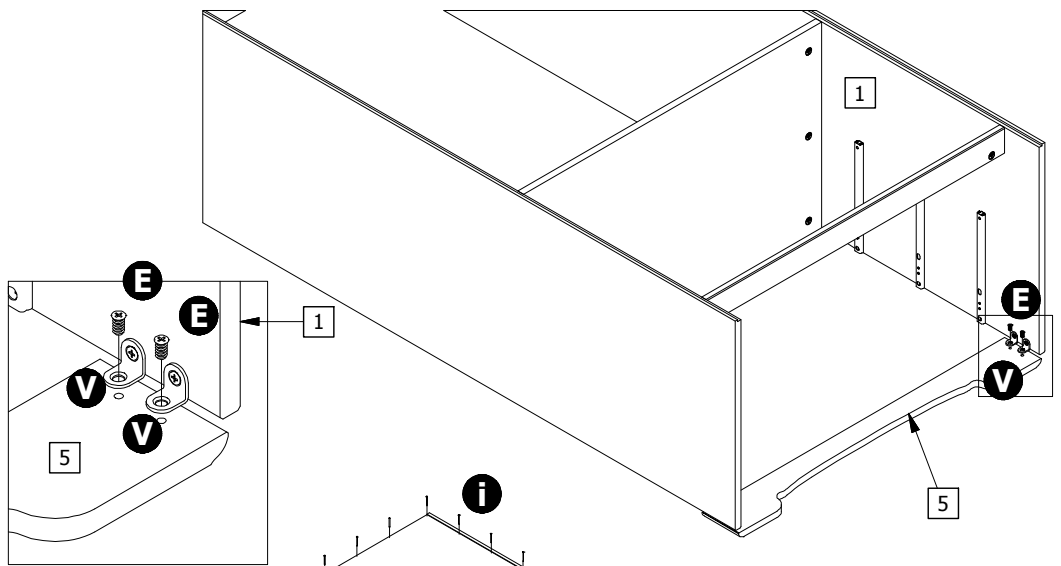




# Assembly Instructions

## Step 13

Fix the front plinth 5 onto the angles V using screws E.



## Step 14

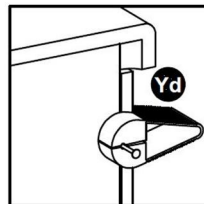
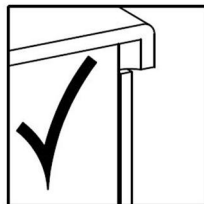
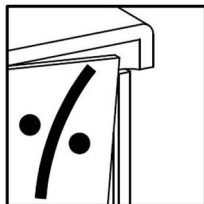
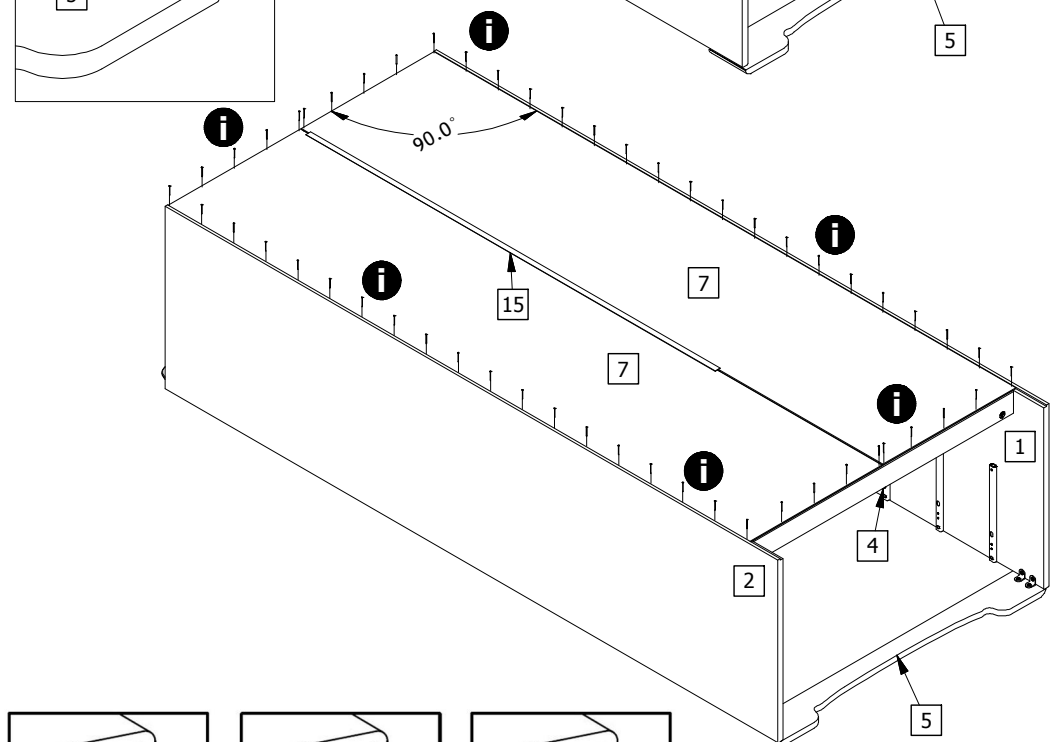
Place the backs 7 into rebates in the sides 1,2 and into the H-profile 15.



**Important!**  
Make sure the angle between the top and the sides is 90° when the back is attached.

Fix the backs to the sides 1,2, the top 3 and the back plinth 4, using nails i.

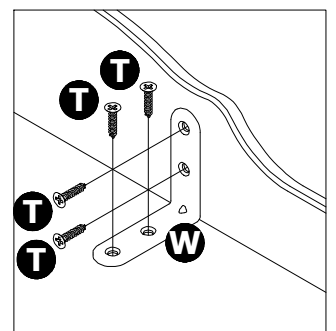
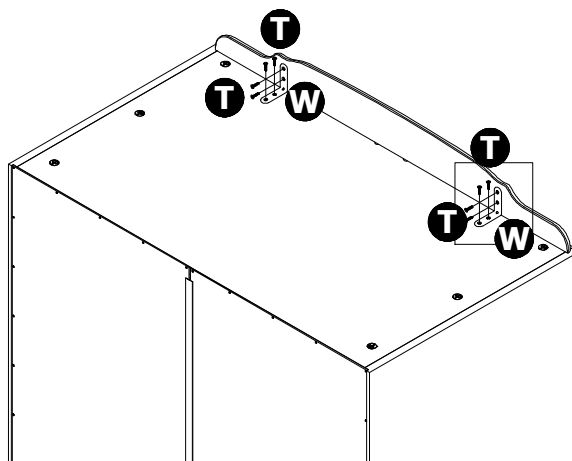
Use the nail holder Yd and a small hammer.



## Step 15

Place the top rail 6 onto the top 3.

Fix the top rail to the top using angles W and screws T.



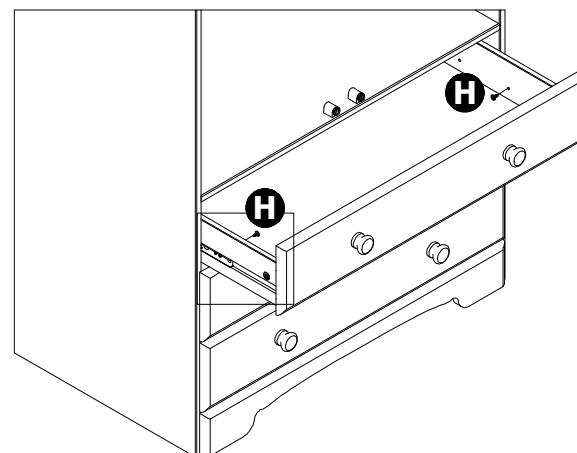
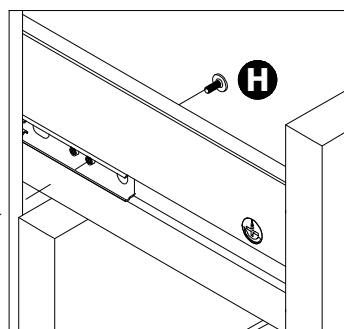
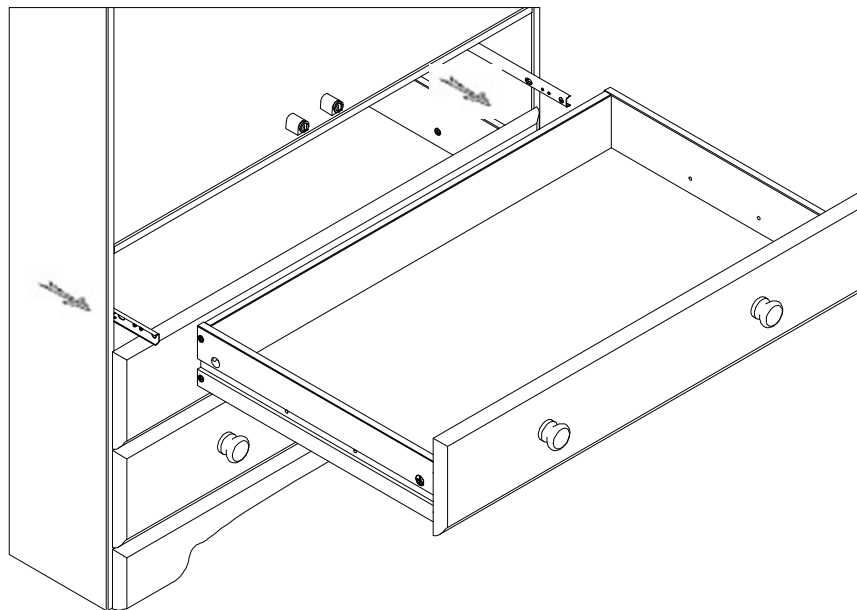
# Assembly Instructions

## Step 16

Pull out the drawer runners. Slide the drawer onto the runners.

Fit and fix the lower drawer first and work your way up.

Fix the drawer to the drawer runners using screws H.

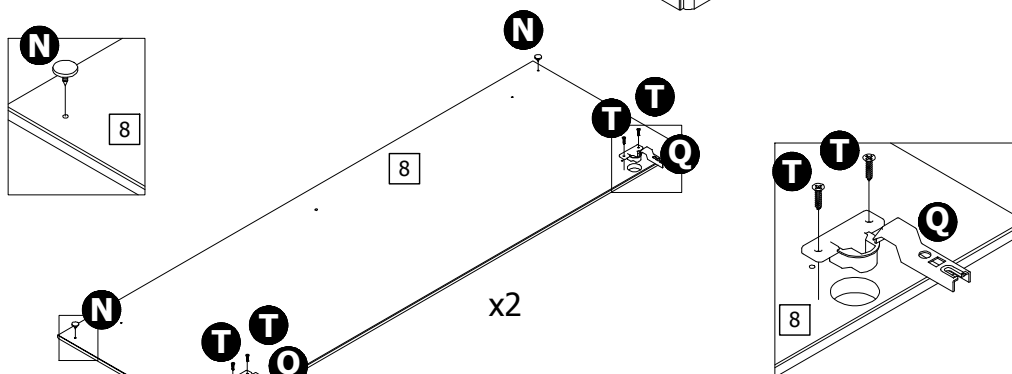


## Step 17

Place the cup hinges Q into the holes indicated on the doors 8.

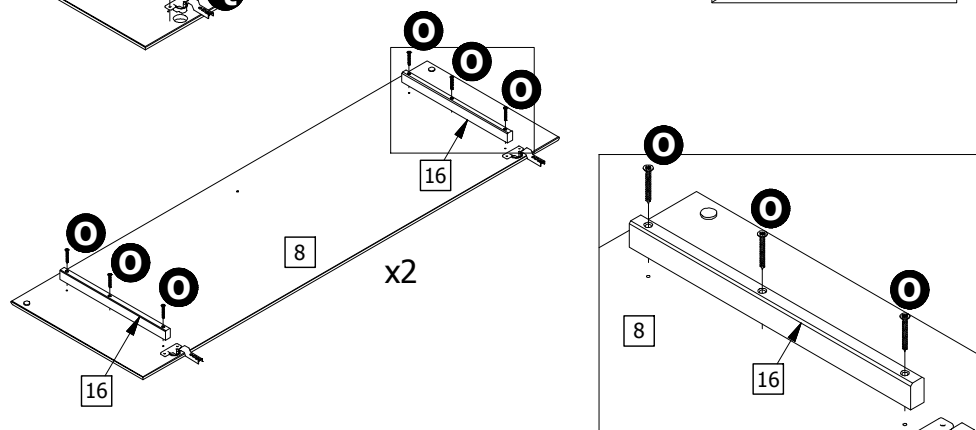
Fix the hinge Q using screws T.

Place the magnet catches N in the holes indicated on doors 8, using a small hammer.



## Step 18

Fix the door rails 16 to the doors 8 using screws O.



# Assembly Instructions

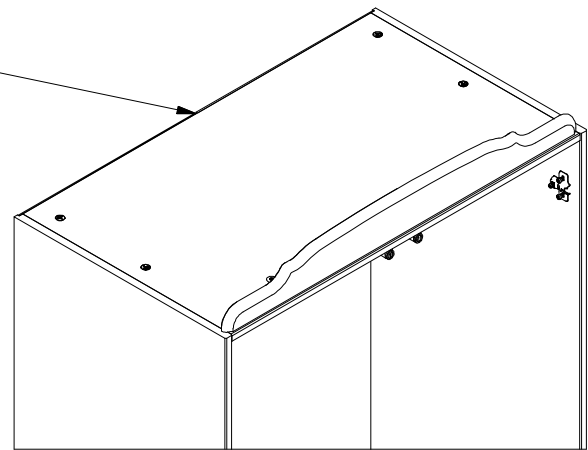
## Step 19



**Warning!**  
The wardrobe is heavy. Lift with care.

It's recommended that the wardrobe is fixed to wall.

Use the fittings J.  
Follow the instruction included with the fittings.

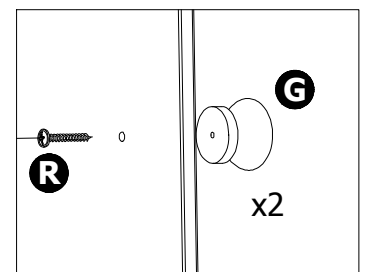
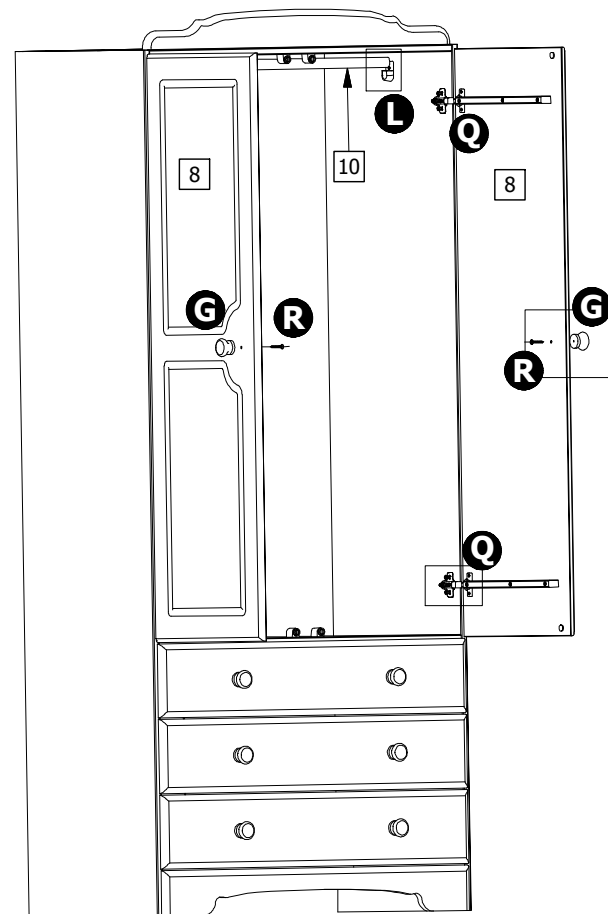
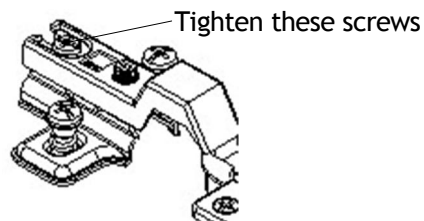
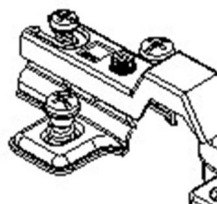
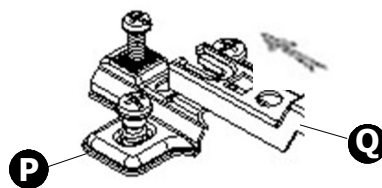
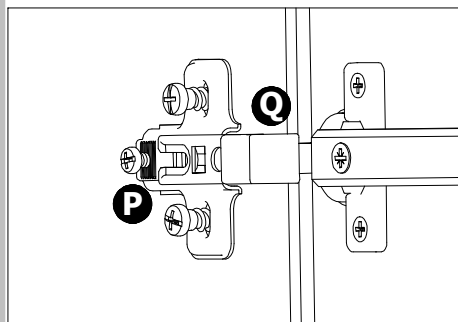
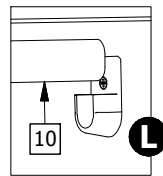


## Step 20

Place the hanger rail 10 into the supports L.

To fix the doors 8, slide the cup hinges Q onto the crossplates P. Fix the hinges using the premounted screw in the crossplates. See detail.

Fix the wooden knobs G to the doors 8 using screws R



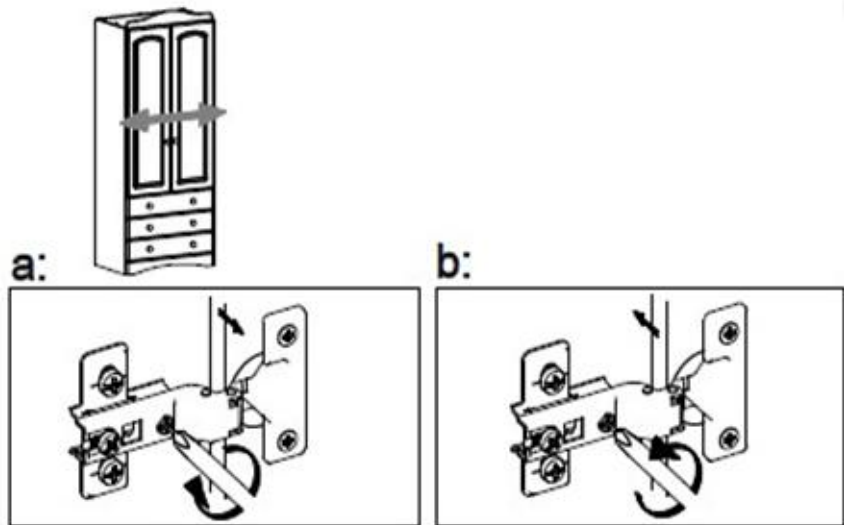
# Assembly Instructions

## Step 21

### Adjusting the doors left/right.

**a:**  
To adjust the door towards the left hand side - turn the adjusting screw to the right.

**b:**  
To adjust the door towards the right hand side - turn the adjusting screw to the left.

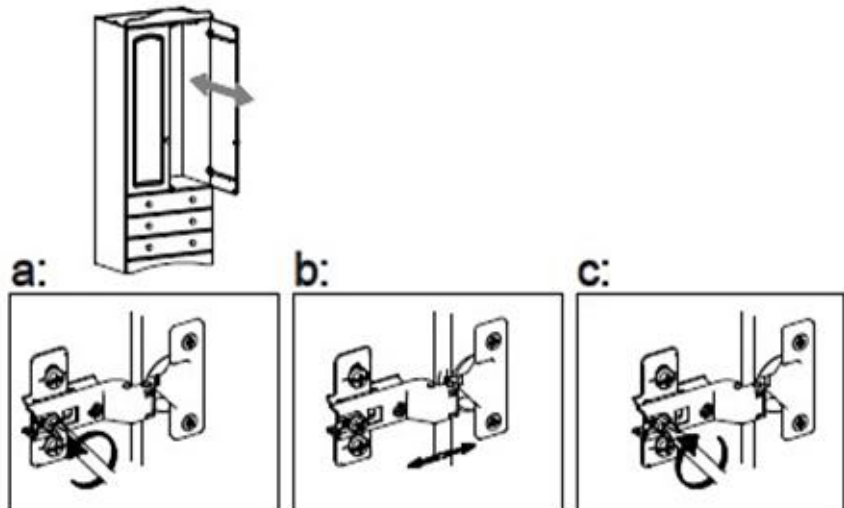


### Adjusting the doors forwards/backwards.

**a:**  
Loosen the fixing screw.

**b:**  
Push the cup hinge/the door forwards or backwards to adjust.

**c:**  
Tighten the fixing screws of ALL the crossplates.

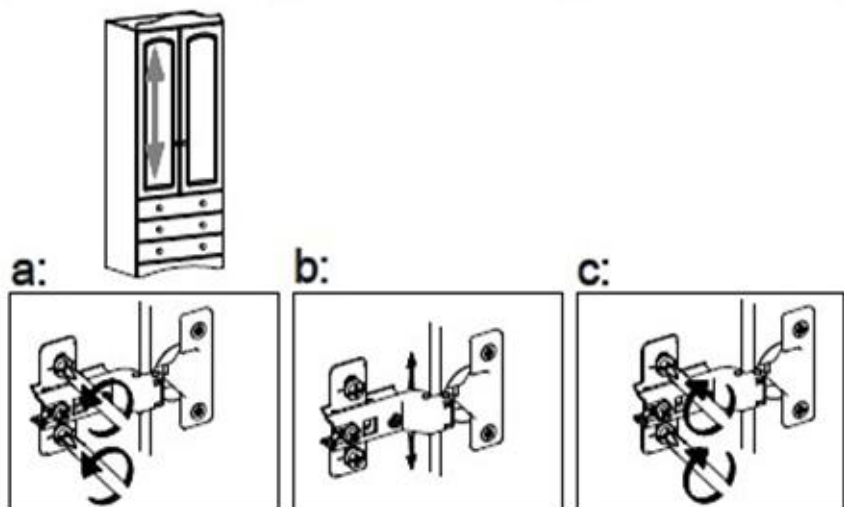


### Adjusting the doors up/down.

**a:**  
Loosen the two pre-mounted screws of each crossplates, BUT ONLY as much as it will allow the crossplates to move up and down.

**b:**  
Push the door up or down to adjust.

**c:**  
Tighten the pre-mounted screws of ALL crossplates.



If you need help or have damaged or missing parts, **call the Customer Helpline: 0845 640 30 30**  
Home Retail Group - 489-499 Avebury Boulevard - Saxon Gate West - Central Milton Keynes MK9 2NW