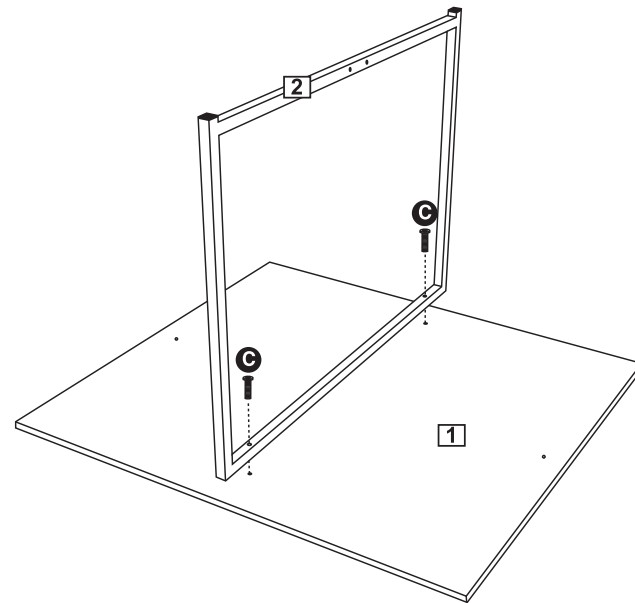


Assembly Instructions

Step 1

Attach Table leg **2** to Table top **1** with Bolts **C** using Allen key **D**.

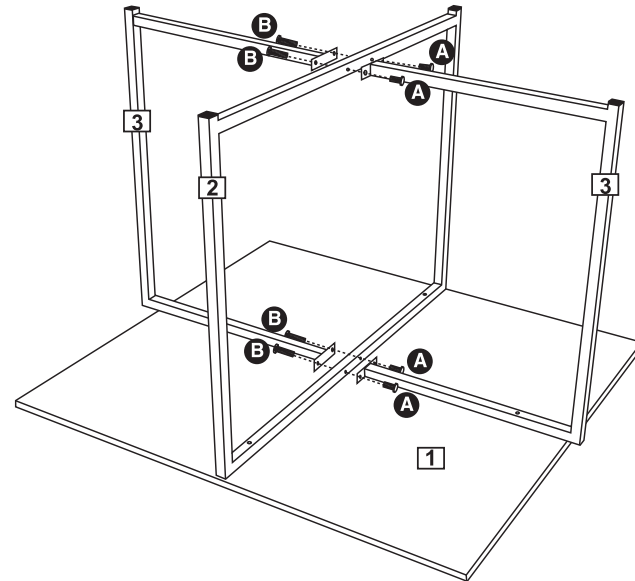
Do not fully tighten bolts at this step.



Step 2

Attach Table leg **3** to Table leg **2** with Nut **A** and Bolts **B** using Allen key **D**.

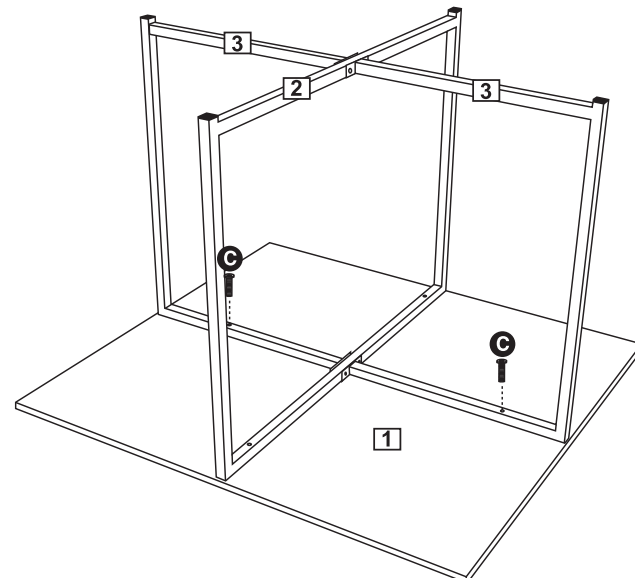
Do not fully tighten bolts at this step.



Step 3

Attach Table leg **3** to Table top **1** with Bolts **C** using Allen key **D**.

Tighten all the bolts.



Assembly is complete.

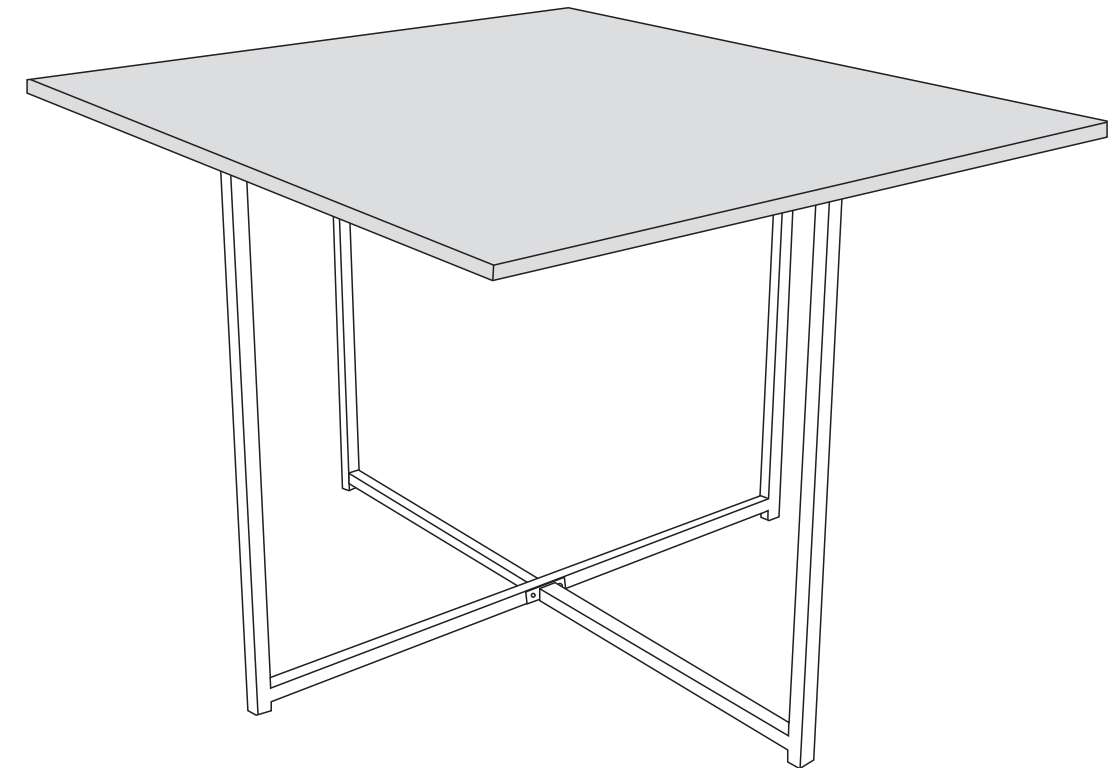
Hygena Lucia Space Saver - Table

Assembly Instructions - Please keep for future reference

157/2881

147/0725

hygena



Dimensions

Width - 110cm
Depth - 100cm
Height - 76cm

Important - Please read these instructions fully before starting assembly

If you need help or have damaged or missing parts, call the Customer Helpline: 08456 400800

! Safety and Care Advice

Important - Please read these instructions fully before starting assembly

- Check you have all the components and tools listed on pages 2.

- Remove all fittings from the plastic bags and separate them into their groups.

- Keep children and animals away from the work area, small parts could choke if swallowed.

- Make sure you have enough space to layout the parts before starting.

- Do not stand or put weight on the product, this could cause damage.

- Assemble the item as close to its final position (in the same room) as possible.

- Assemble on a soft level surface to avoid damaging the unit or your floor.

- Part of the assembly will be easier with 2 people.



- We do not recommend the use of power drill/drivers **for inserting screws**, as this could damage the unit. Only use hand screwdrivers.

- Dispose of all packaging carefully and responsibly.

Care and maintenance

- Only clean using a damp cloth and mild detergent, do not use bleach or abrasive cleaners.

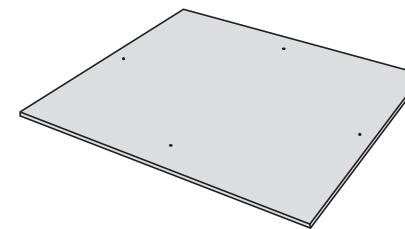
- From time to time check that there are no loose screws on this unit.

- This product should not be discarded with household waste. Take to your local authority waste disposal centre.

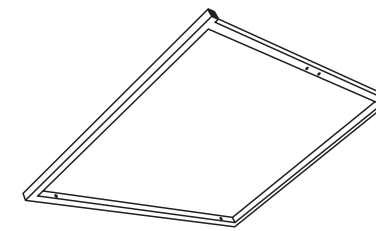
Components - Parts

If you have damaged or missing components, call the Customer Helpline: 08456 400800

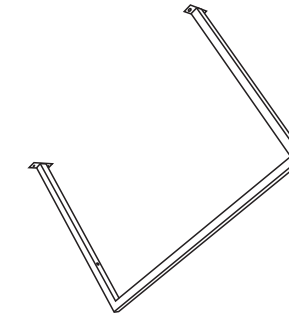
Please check you have all the parts listed below



1 Table top x1
(110 x 100 x 1.8cm)



2 Table Leg x1
(98 x 74 x 2.5cm)

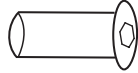
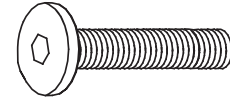
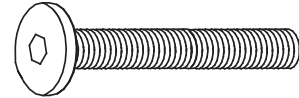
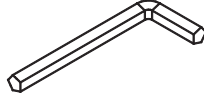


3 Table Leg x2
(74 x 52.5 x 8.5cm)

Components - Fittings

Please check you have all the fittings listed below

Note: The quantities below are the correct amount to complete the assembly. In some cases more fittings may be supplied than are required.

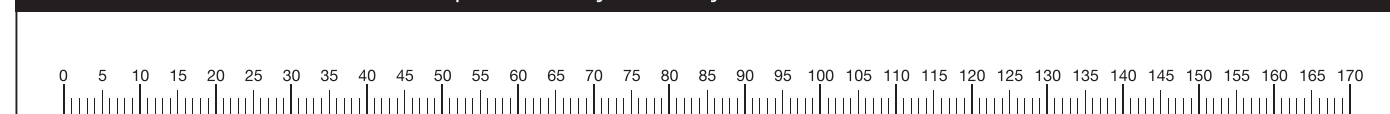
<p>A </p> <p>Nut x 4</p>	<p>B </p> <p>M6 x 23mm Bolt x 4</p>	<p>C </p> <p>M6 x 35mm Bolt x 4</p>
<p>D </p> <p>Allen key x 2</p>		

Tools required



Ruler/tape measure

Ruler - Use this ruler to help correctly identify the screws



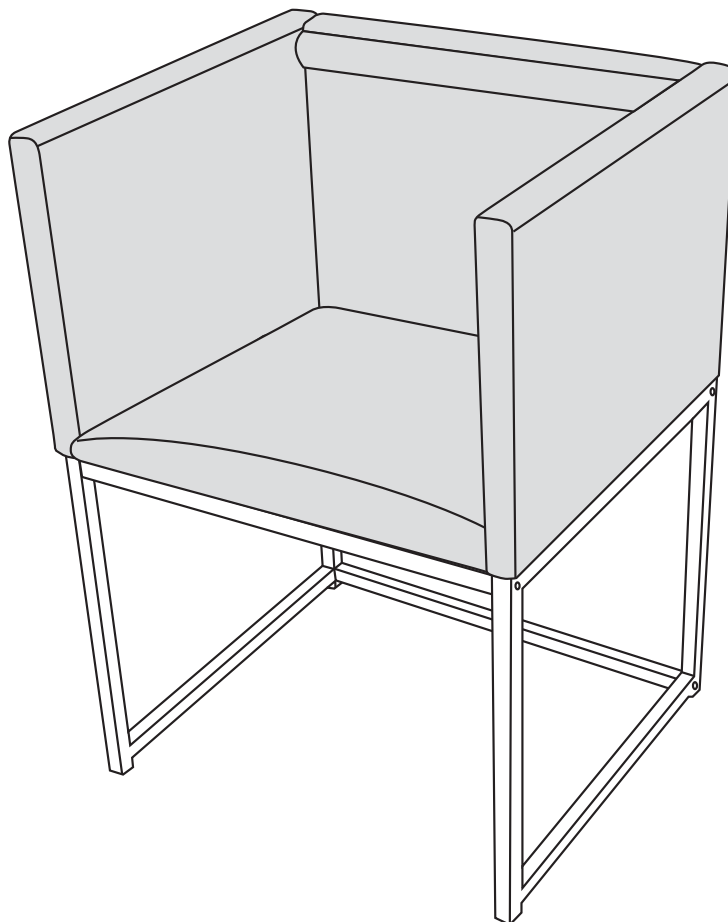
Hygena Lucia Space Saver - Chair

Assembly Instructions - Please keep for future reference

157/2881

147/0725

hygena



Dimensions

Width - 53cm
Depth - 46cm
Height - 73cm

Important - Please read these instructions fully before starting assembly

If you need help or have damaged or missing parts, call the Customer Helpline: 08456 400800



Safety and Care Advice

Important - Please read these instructions fully before starting assembly

- Check you have all the components and tools listed on pages 2 and 3.
- Remove all fittings from the plastic bags and separate them into their groups.
- Keep children and animals away from the work area, small parts could choke if swallowed.
- Make sure you have enough space to layout the parts before starting.

- Do not stand or put weight on the product, this could cause damage.
- Assemble the item as close to its final position (in the same room) as possible.
- Assemble on a soft level surface to avoid damaging the unit or your floor.
- Part of the assembly will be easier with 2 people.



- We do not recommend the use of power drill/drivers **for inserting screws**, as this could damage the unit. Only use hand screwdrivers.
- Dispose of all packaging carefully and responsibly.
- The maximum safe weight of user: 110kg

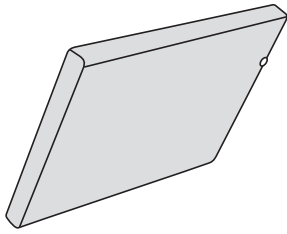
Care and maintenance

- Only clean using a damp cloth and mild detergent, do not use bleach or abrasive cleaners.
- From time to time check that there are no loose screws on this unit.
- This product should not be discarded with household waste. Take to your local authority waste disposal centre.

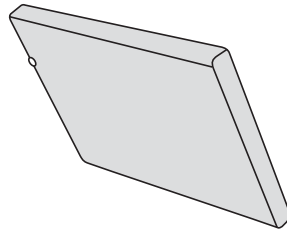
Components - Parts

If you have damaged or missing components,
call the Customer Helpline: 08456 400800

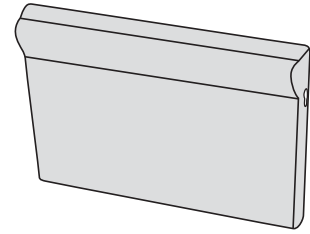
Please check you have all the parts listed below



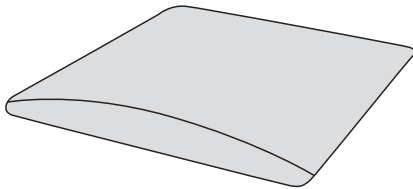
1 Right armrest x4
(46.5 x 33.5 x 5cm)



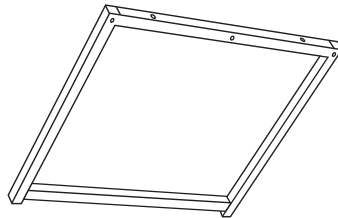
2 Left armrest x4
(46.5 x 33.5 x 5cm)



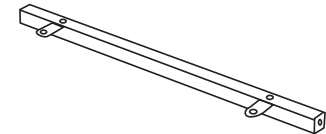
3 Bracket x4
(44.5 x 33.5 x 6cm)



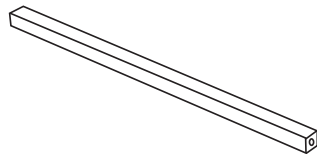
4 Seat pad x4
(46 x 43.5 x 5.5cm)
(packed in box1)



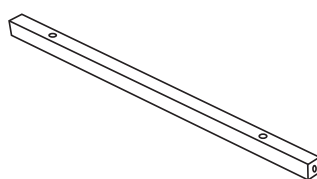
5 Side leg x8
(45 x 39.5 x 2cm)



6 Back stretcher x4
(46.5 x 5.5 x 2cm)



7 Stretcher x8
(46.5 x 2 x 2cm)

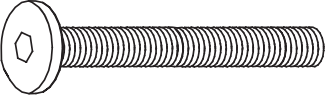
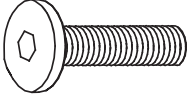
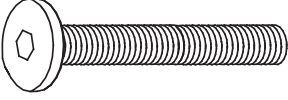
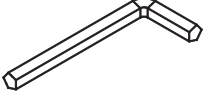


8 Front stretcher x4
(46.5 x 2 x 2cm)

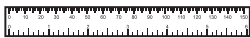
Components - Fittings

Please check you have all the fittings listed below

Note: The quantities below are the correct amount to complete the assembly. In some cases more fittings may be supplied than are required.

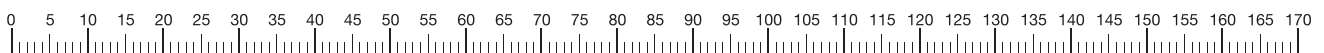
A  M6 x 45mm Bolt x 24	B  M6 x 15mm Bolt x 8	C  M6 x 35mm Bolt x 40
D  Allen key x 1		

Tools required



Ruler/tape
measure

Ruler - Use this ruler to help correctly identify the screws

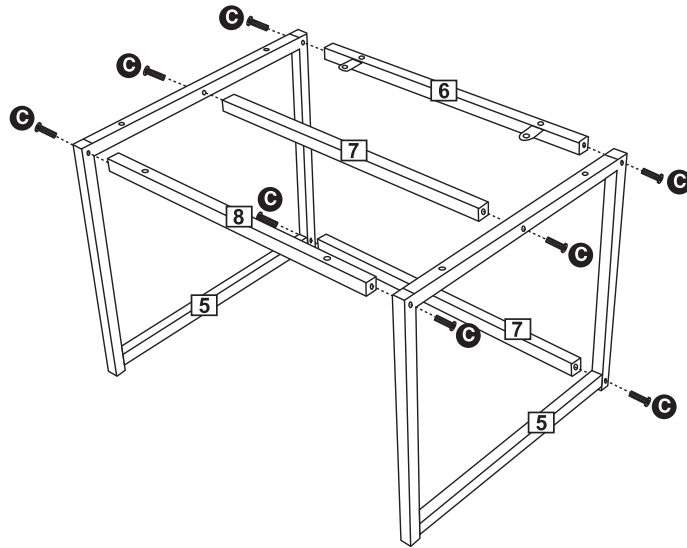


Assembly Instructions

Step 1

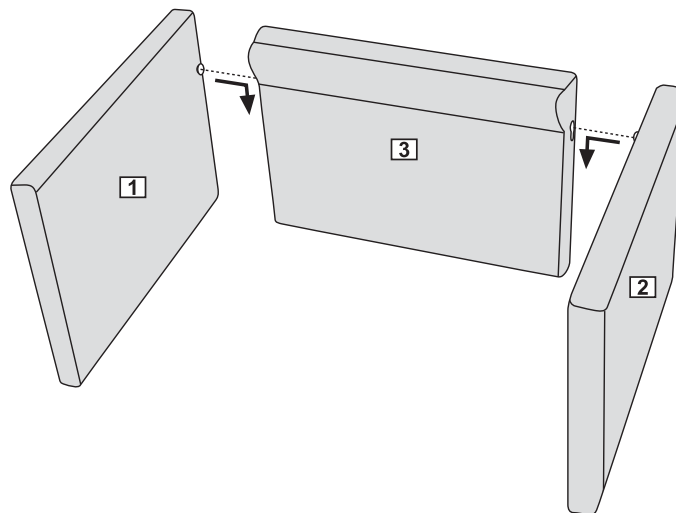
Attach Stretcher **6** **7**
and **8** to Side leg **5**
with bolts **C** using
Allen key **D**.

**Do not fully tighten
bolts at this step.**



Step 2

Attach Right armrest **1**
and Left armrest **2** to
backrest **3**



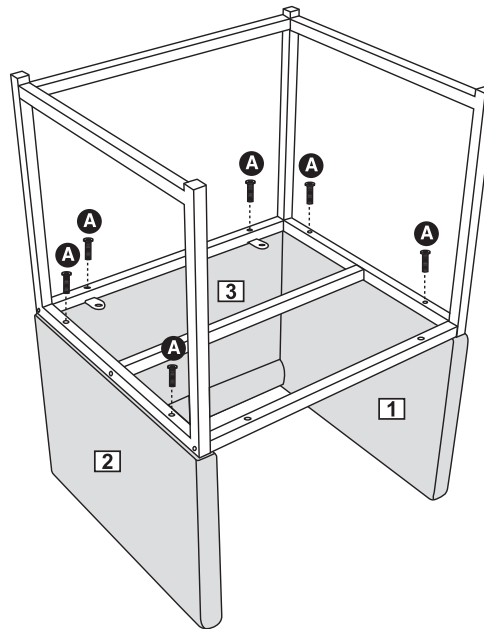
If you need help or have damaged or missing parts, call the Customer Helpline: 08456 400800

Assembly Instructions

Step 3

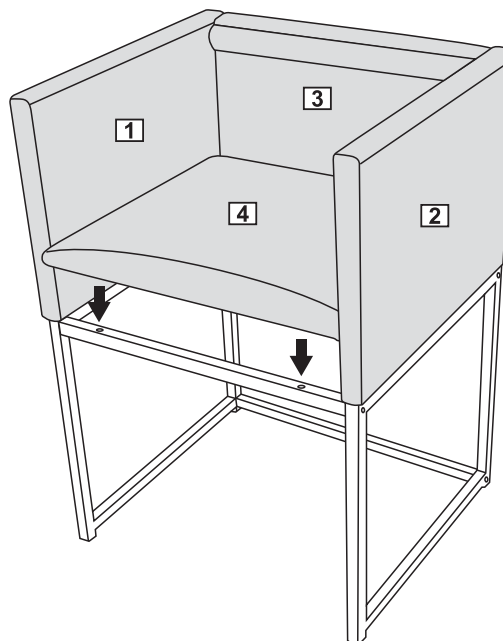
Attach base frame to armrest and backrest with Bolt **A** using Allen key **D**.

Do not fully tighten bolts at this step.



Step 4

Place the Seat pad **4** on the frame.



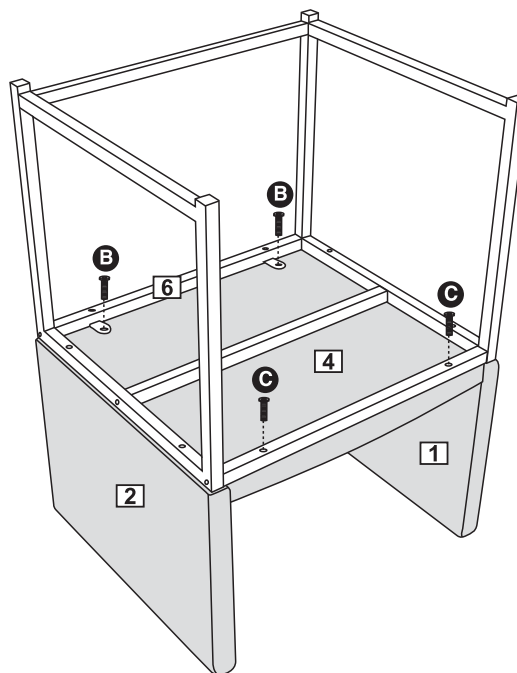
If you need help or have damaged or missing parts, call the Customer Helpline: 08456 400800

Assembly Instructions

Step 5

Attach Seat pad **4** to the frame with Bolt **B** and Bolt **C** using Allen key **D**.

Tighten all the bolts.



Assembly is complete.

If you need help or have damaged or missing parts, call the Customer Helpline: 08456 400800