

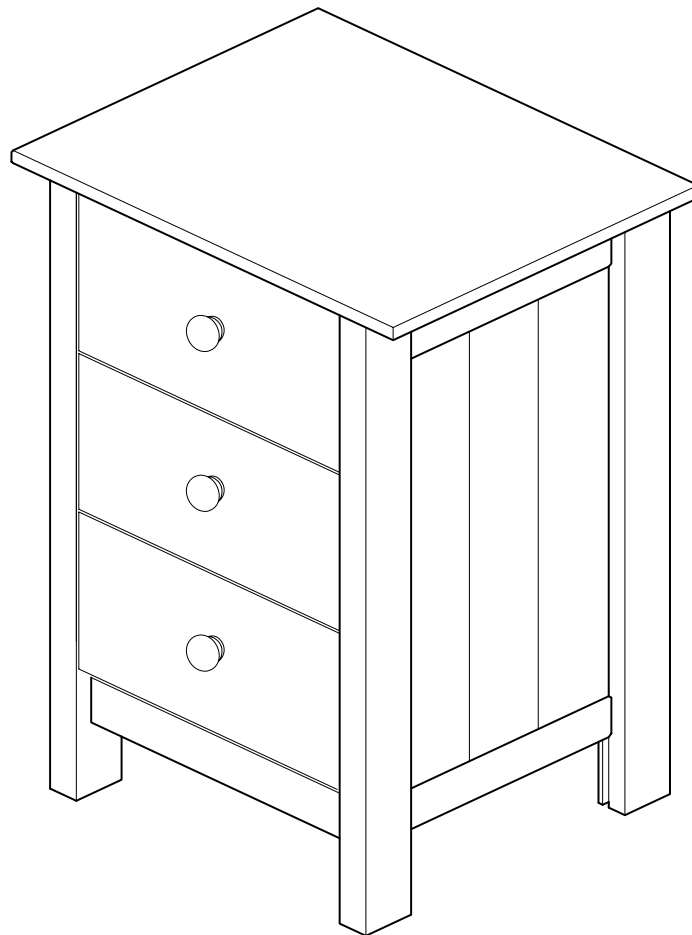
# Scandinavia - 3 Drw Bedside Chest

Assembly Instructions - Please keep for future reference

630/2001

658/1561

615/6903



## Dimensions

Width - 42.8cm  
Depth - 40cm  
Height - 61cm

**Important - Please read these instructions fully before starting assembly**

If you need help or have damaged or missing parts, call the **Customer Helpline: 08456 400800**

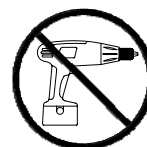


# Safety and Care Advice

**Important** - Please read these instructions fully before starting assembly

- Check you have all the components and tools listed on pages 2 and 3.
- Remove all fittings from the plastic bags and separate them into their groups.
- Keep children and animals away from the work area, small parts could choke if swallowed.
- Make sure you have enough space to layout the parts before starting.

- Do not stand on the product, this could cause damage.
- Assemble the item as close to its final position (in the same room) as possible.
- Assemble on a soft level surface to avoid damaging the unit or your floor.
- Parts of the assembly will be easier with 2 people.



- We do not recommend the use of power drill/drivers **for inserting screws**, as this could damage the unit. Only use hand screwdrivers.

- Dispose of all packaging carefully and responsibly.

## Care and maintenance

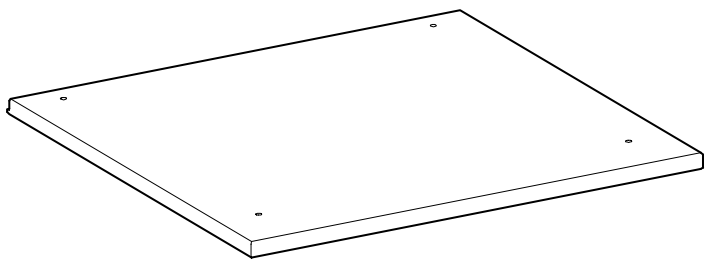
- Only clean using a damp cloth and mild detergent, do not use bleach or abrasive cleaners.
- From time to time check that there are no loose screws on this unit.
- This product should not be discarded with household waste. Take to your local authority waste disposal centre.

**Note:** if required the next page can be cut out and used as reference throughout the assembly. Keep this page with these instructions for future reference.

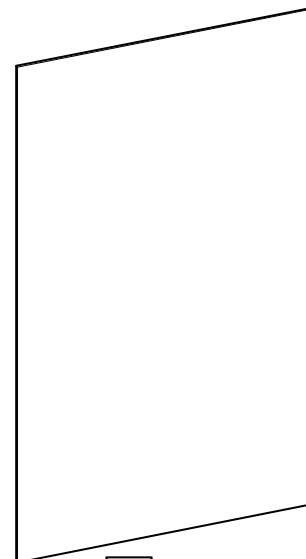
# Components - Panels

If you have damaged or missing components, call the **Customer Helpline: 08456 400800**

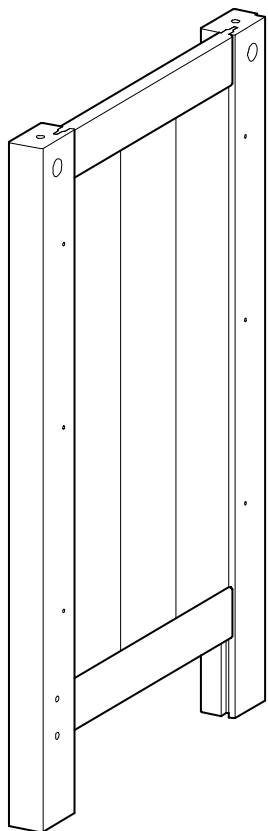
Please check you have all the panels listed below



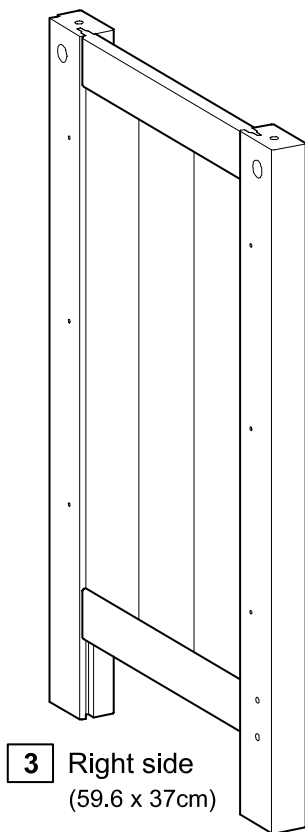
**1** Top (42.8 x 40cm)



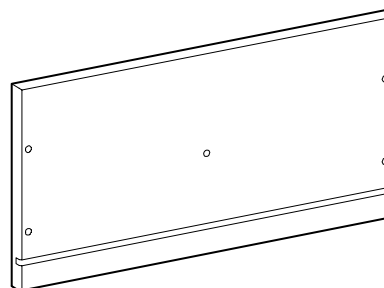
**5** Back (52 x 33.6cm)



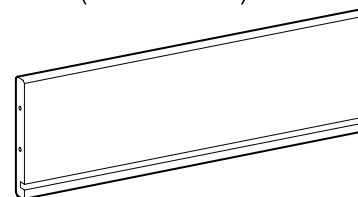
**2** Left side (59.6 x 37cm)



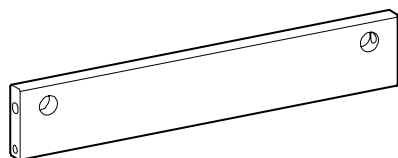
**3** Right side (59.6 x 37cm)



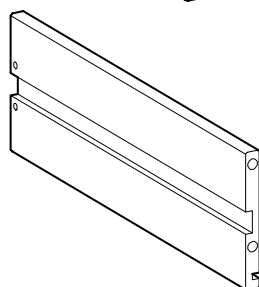
**6** Drawer front x 3 (31.4 x 15.7cm)



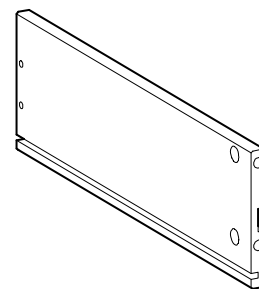
**7** Drawer back x 3 (28.6 x 9cm)



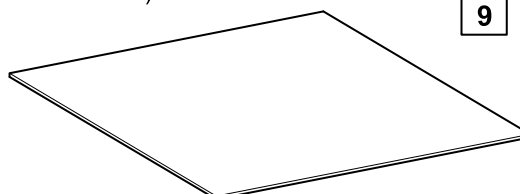
**4** Plinth (31.8 x 5.5cm)



**8** Left drawer side x 3 (34.2 x 10.7cm)



**9** Right drawer side x 3 (34.2 x 10.7cm)



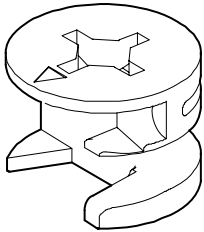
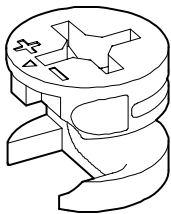
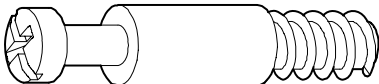
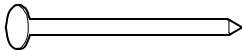

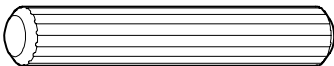
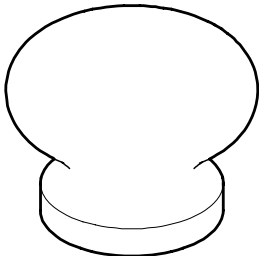
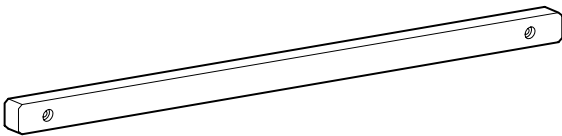
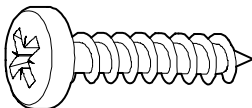
**10** Drawer bottom x 3 (33.9 x 29.7cm)



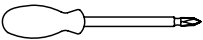
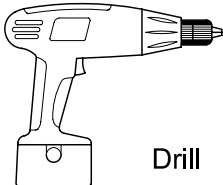

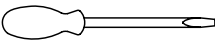
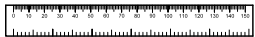
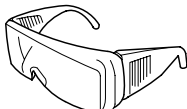

# Components - Fittings

Please check you have all the fittings listed below

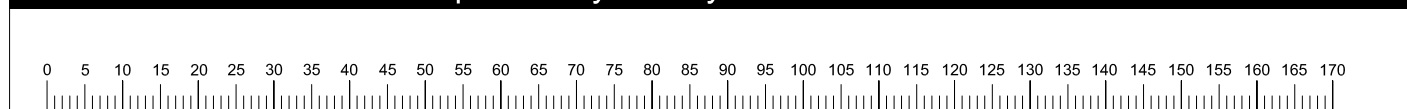
**Note:** The quantities below are correct amount to complete the assembly. In some cases more fittings may be supplied than are required.

<p><b>A</b></p>  <p>Large cam x 6</p>	<p><b>B</b></p>  <p>Small cam x 12</p>	<p><b>C</b></p>  <p>Locking pin x 18</p>
<p><b>D</b></p>  <p>16mm Nail x 20</p>	<p><b>E</b></p>  <p>35mm Screw x 15</p>	<p><b>F</b></p>  <p>30mm Dowel x 2</p>
<p><b>G</b></p>  <p>Knob x 3</p>	<p><b>H</b></p>  <p>340mm Wooden runner x 6</p>	
<p><b>I</b></p>  <p>20mm Screw x 12</p>		

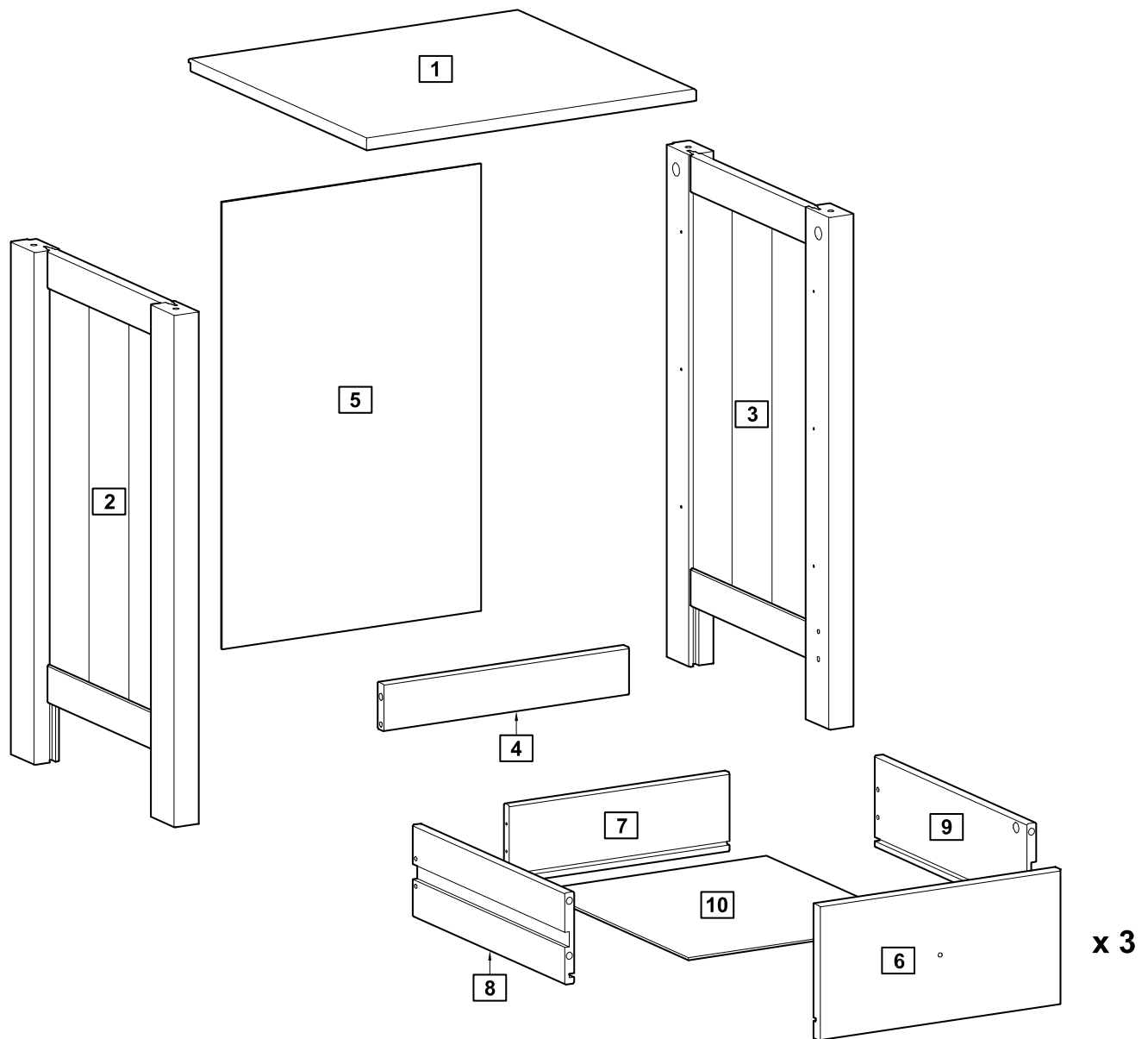
## Tools required

	<p>Philips screwdriver (medium &amp; large)</p>	 <p>Drill</p>	 <p>Small hammer</p>
	<p>Flatblade screwdriver (medium)</p>	 <p>Ruler/tape measure</p>	 <p>Eye protection (when using a hammer or glue)</p>
	<p>Suitable drill bit (for use with wall plug)</p>		

## Ruler - Use this ruler to help correctly identify the screws



# Components - Key Diagram



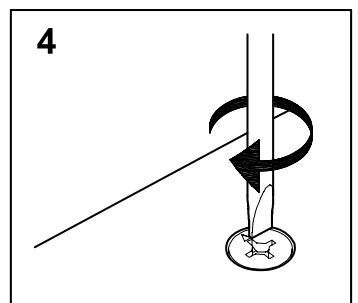
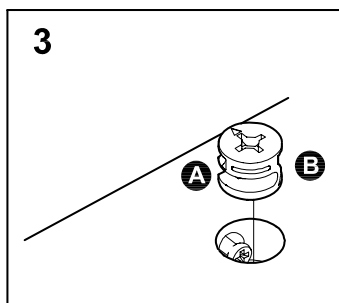
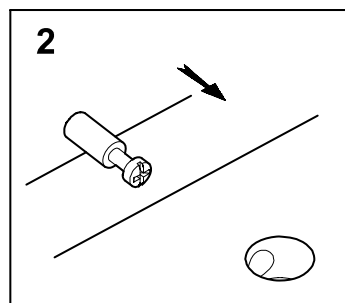
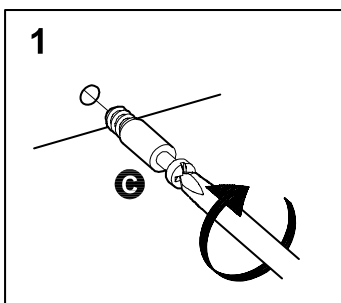
## Function of Cam and Locking Pin

**Step 1:**  
Fix the locking pin to the wooden panel.

**Step 2:**  
Push the wooden panel with the attached locking pin onto the other wooden panel.

**Step 3:**  
Place the cam into the hole, arrow pointing towards the locking pin.

**Step 4:**  
Tighten: Turn the cam to the right.

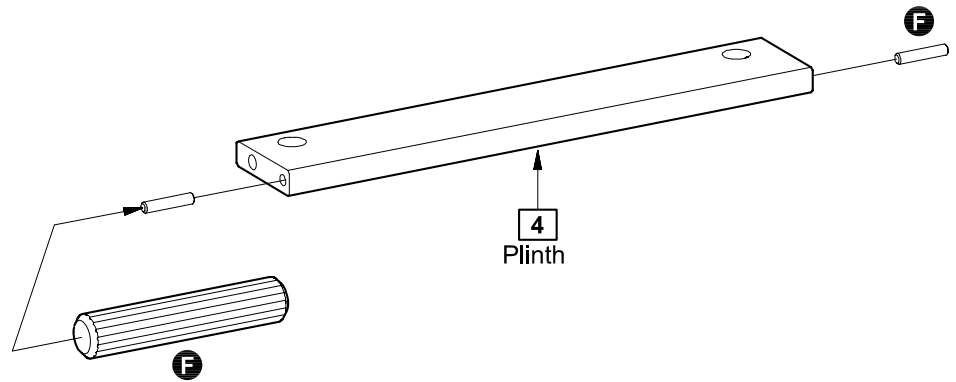


# Assembly Instructions

## Step 1

### Inserting the dowels to the plinth.

Insert the dowels **F** into the holes indicated on the plinth **4**.

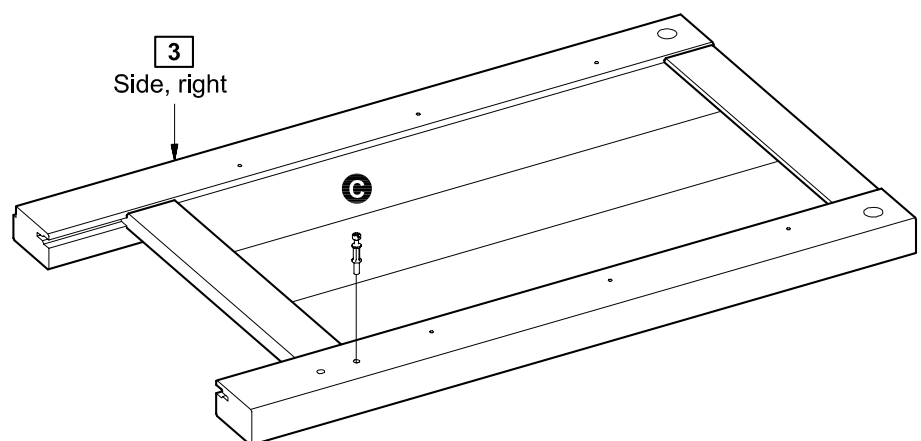
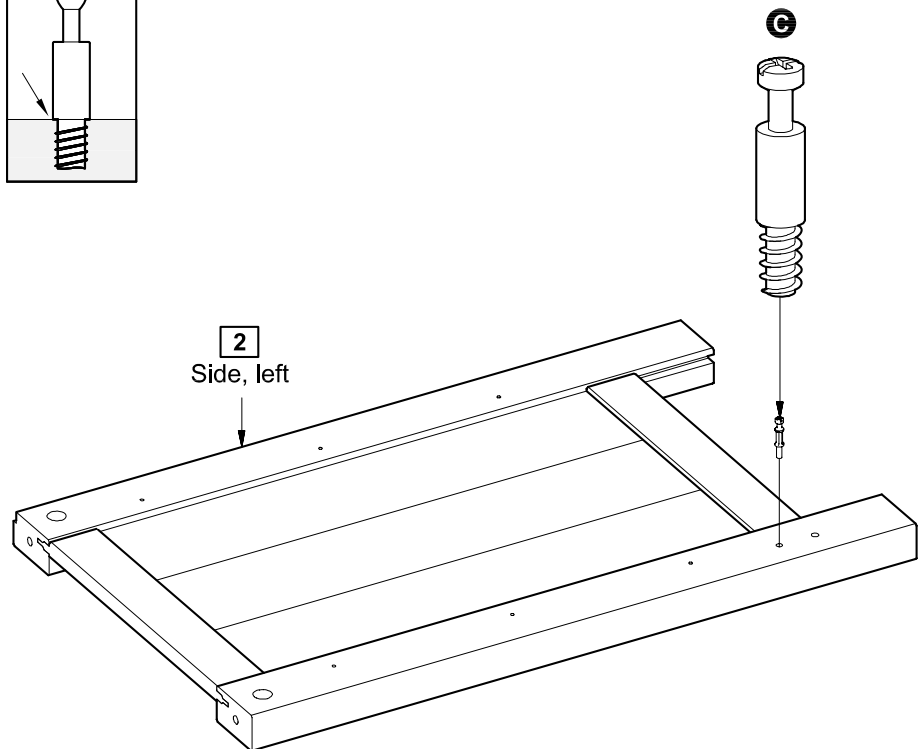
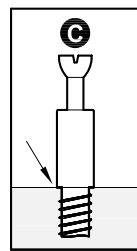


## Step 2

### Mounting the locking pins to the sides.

Screw the locking pins **G** into the holes indicated on the sides **2** and **3**.

**Note:** Insert locking pins **G** as far as shown. **Do not over tighten.**

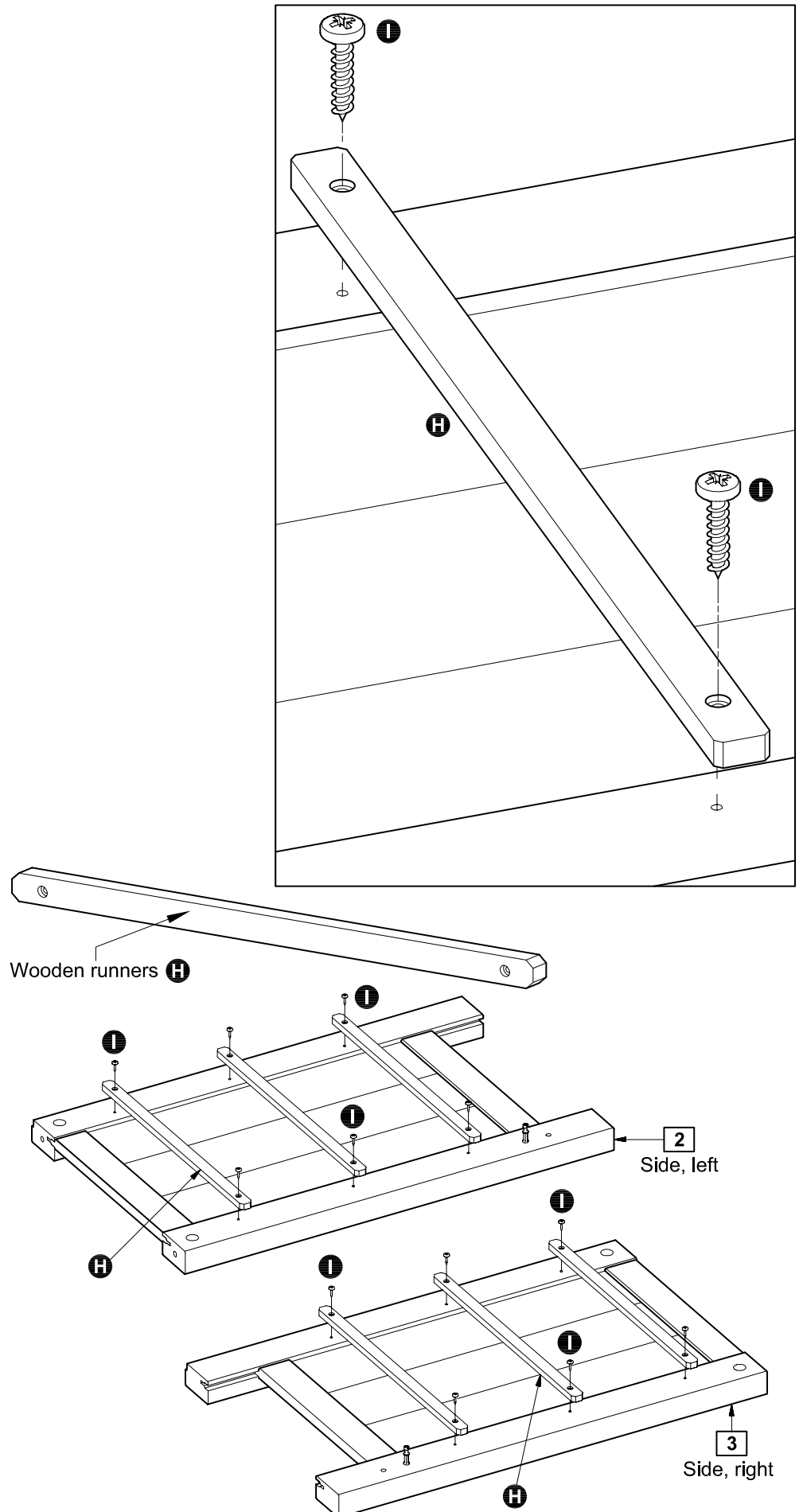


# Assembly Instructions

## Step 3

### Attaching the wooden runners to the sides.

Fix the wood runners **H** to the sides **2** and **3**, using screws **I** through the holes indicated.



# Assembly Instructions

## Step 4

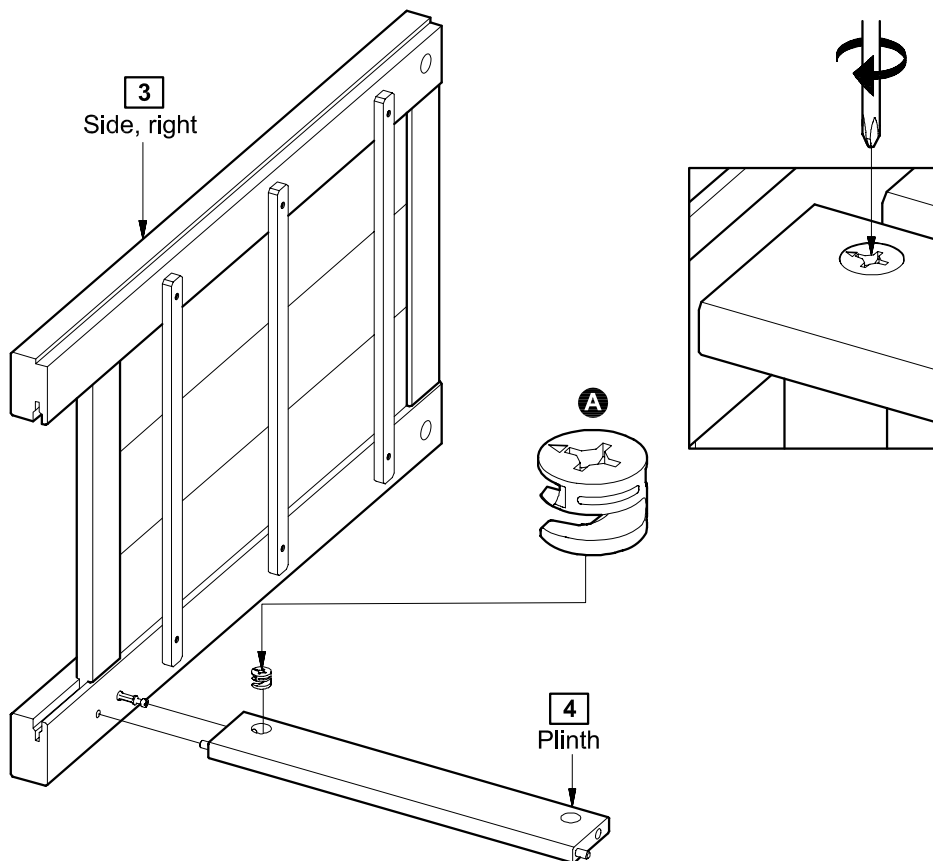
### Adding the plinth to the right hand side.

Fit the plinth **4** onto the side **3**.

See page 4 "Function of cam and locking pin".

Place the large cam **A** into the hole indicated, arrow pointing towards the side / locking pin.

To tighten cams: Turn to the right using a screwdriver.



## Step 5

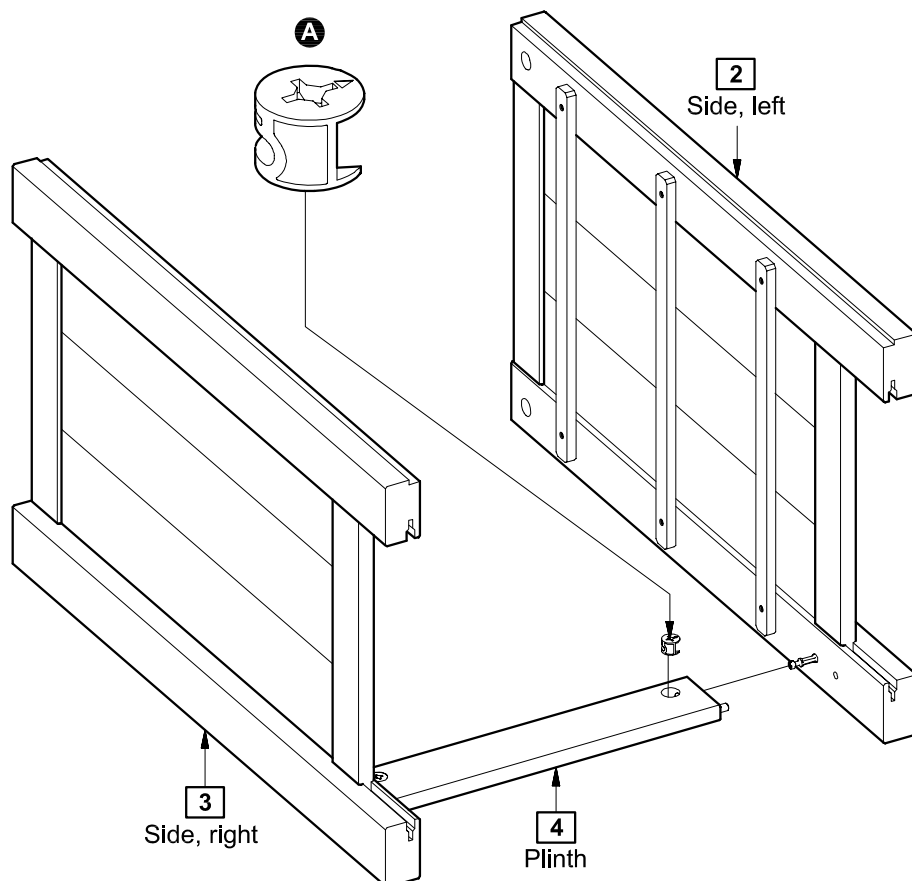
### Assembling the left hand side to the plinth.

Fit the side **2** onto the plinth **4**.

See page 4 "Function of cam and locking pin".

Place the large cam **A** into the hole indicated, arrow pointing towards the side / locking pin.

To tighten cams: Turn to the right using a screwdriver.





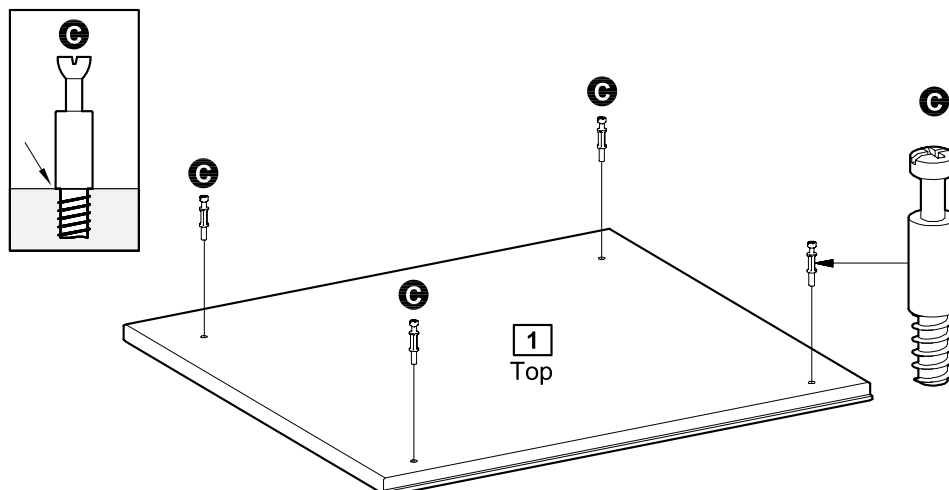
# Assembly Instructions

## Step 6

### Mounting the locking pins to the top.

Screw the locking pins **G** into the holes indicated on the top **1**.

**Note:** Insert locking pins **G** as far as shown. **Do not over tighten.**



## Step 7

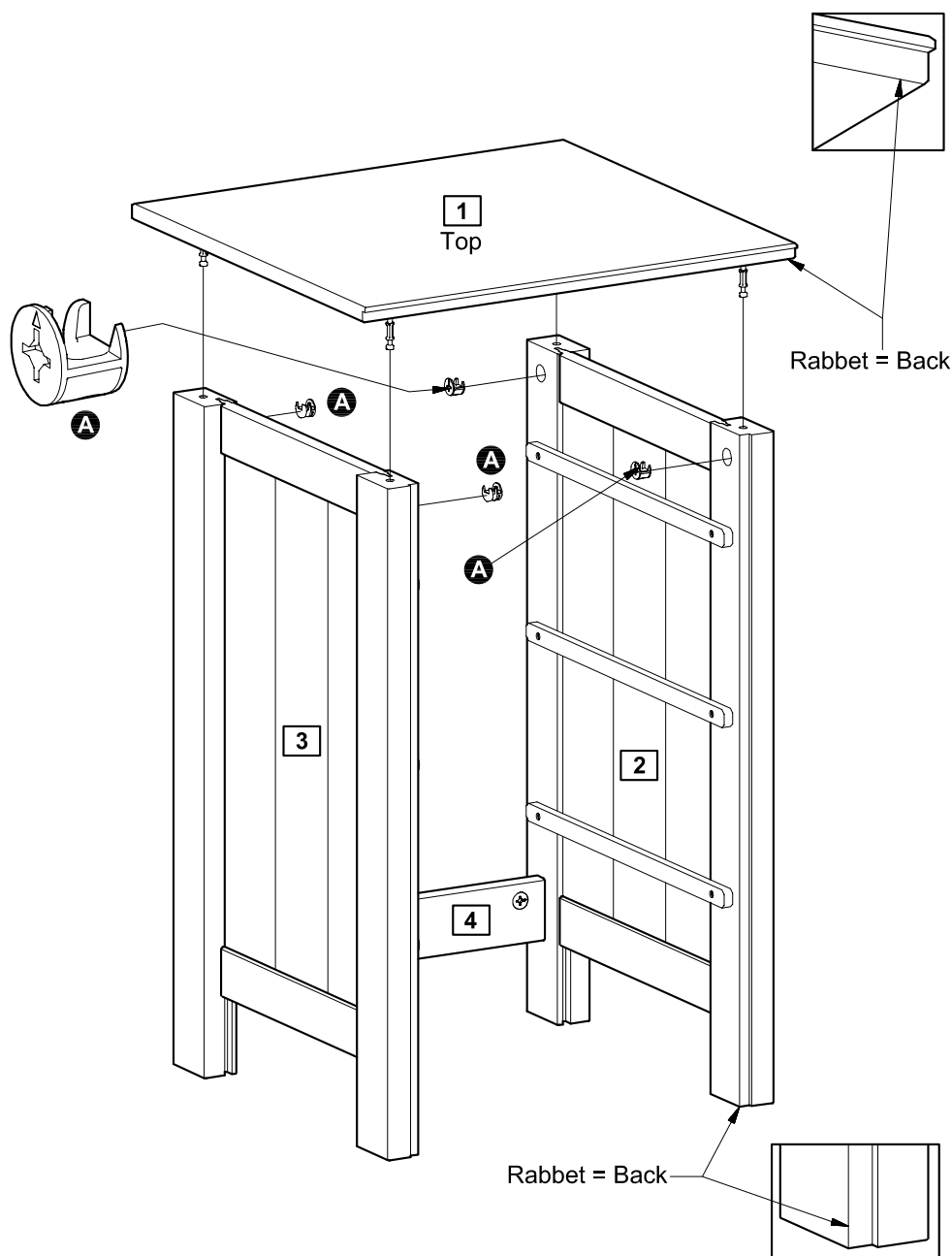
### Assembling the top to the sides.

Lower the top **1** onto the sides **2** and **3**.

See page 4 "Function of cam and locking pin".

Place the large cams **A** into the holes indicated, arrows pointing towards the locking pins.

To tighten cams: Turn to the right using a screwdriver.



# Assembly Instructions

## Step 8

### Nailing the back to the top and sides.

Place the back **5** into the rabbet of the top **1** and the side **3**.

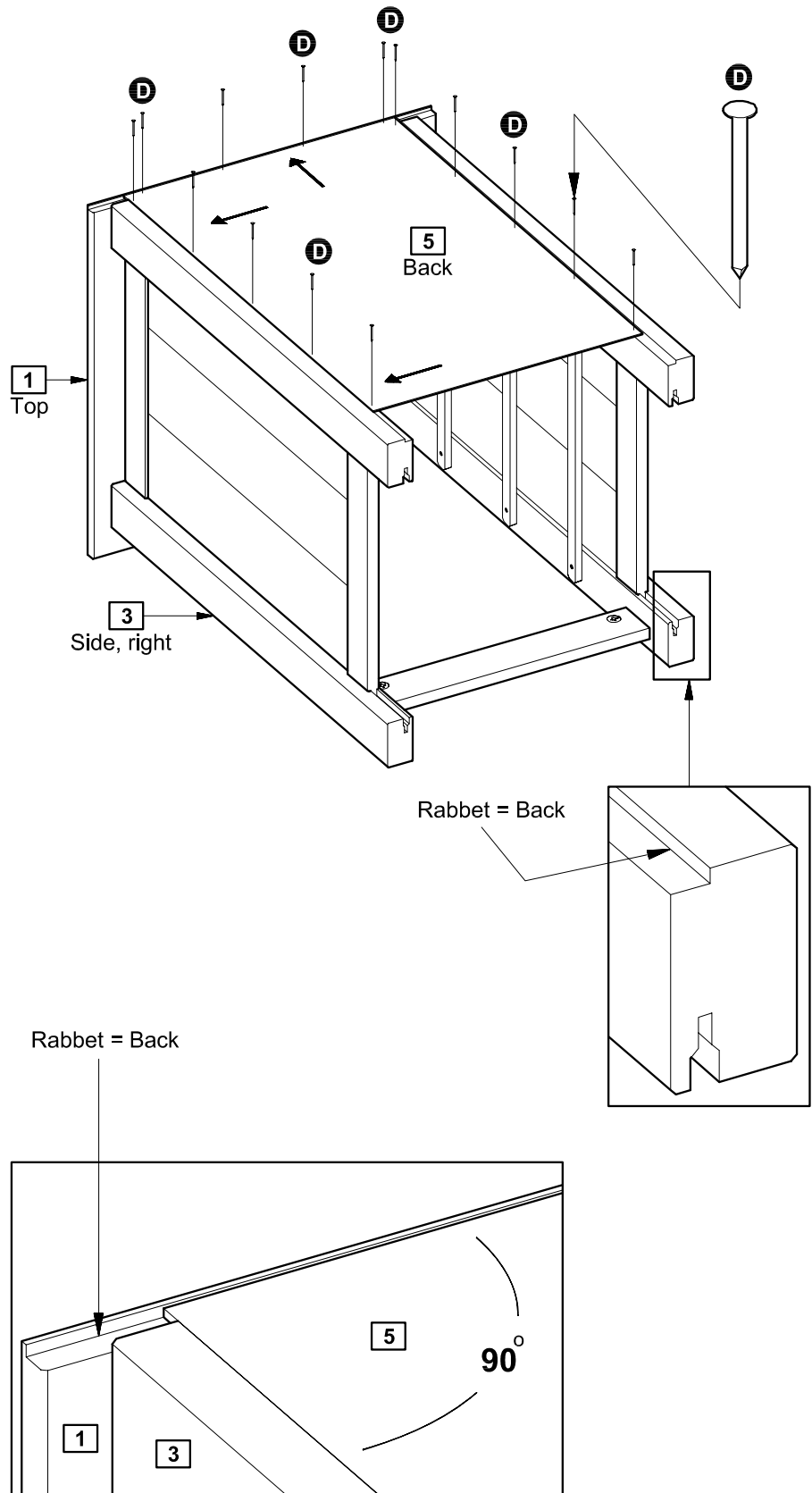
Ensure that there is no gap between the right hand side **3** and the back **5**, nor between the top and the back.

Fasten the back with nails **D** along the top.

The angle between the top and the side must be 90 degrees.

To accomplish this, ensure that there is no gap between the right hand side **3** and the back **5**.

Fasten the back with nails **D** along the sides.

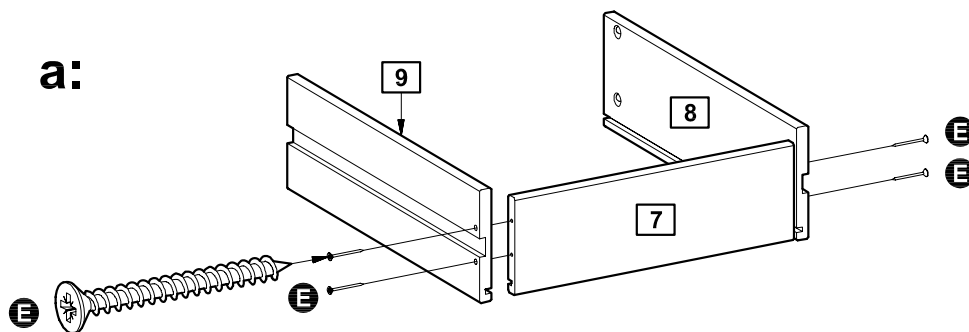


# Assembly Instructions

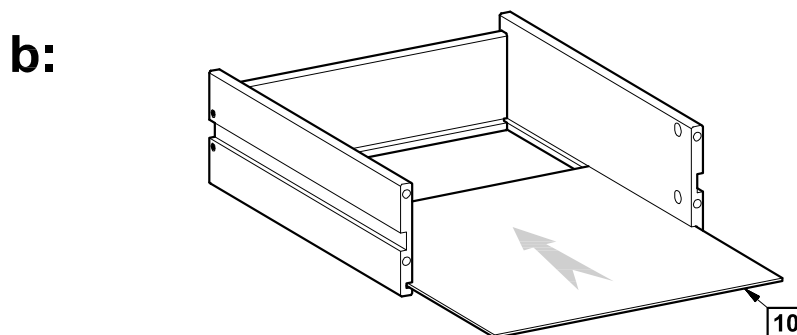
## Step 9

### Drawer assembly.

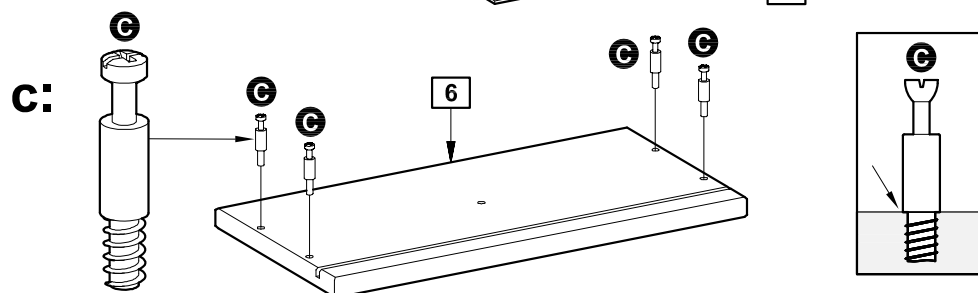
**a:** Fix the drawer sides **8** and **9** to the drawer back **7** using screws **E**.



**b:** Slide the drawer bottom **10** into the grooves of the drawer frame.

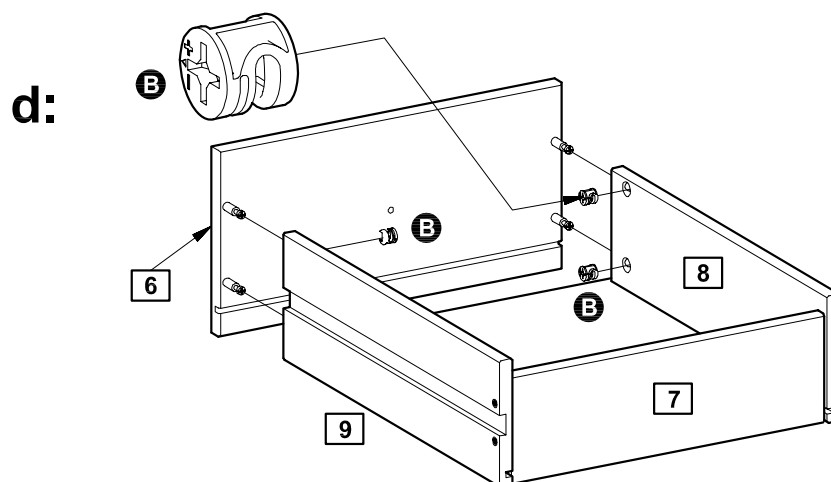


**c:** Screw the locking pins **G** into the holes indicated on the drawer front **6**.



**Note:** Insert locking pins **G** as far as shown. **Do not over tighten.**

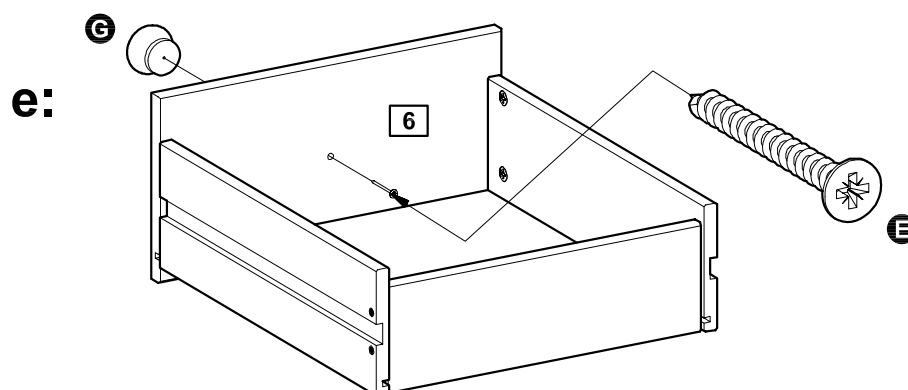
**d:** Press the drawer front **6** onto the drawer sides **8** and **9**. Place the small cams **B** into the holes indicated, arrows pointing towards the drawer front / locking pins.



To tighten cams: Turn to the right using a screwdriver.

"Function of cam and locking pin" see page 4.

**e:** Fix the knob **G** to the drawer front using screw **E**.



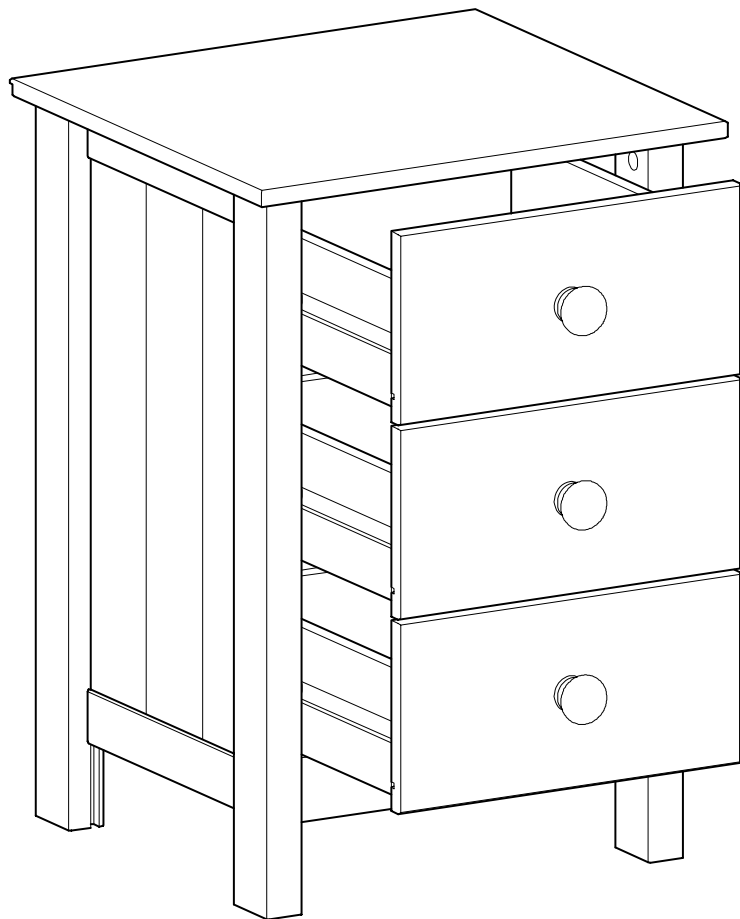
Repeat with remaining drawers.

# Assembly Instructions

## Step 10

### Adding the drawers to the carcass.

Slide the drawers onto the wooden runners.



**Assembly is complete.**

If you need help or have damaged or missing parts, call the **Customer Helpline: 08456 400800**

## Dear Customer

**Please note that the product you have purchased is a natural living timber.**

**Just like nature itself, wood varies in shape and colour. Knots, vein patterns, resin pockets and colour differences contribute to giving the piece of furniture its beauty and form - a natural part of solid wood.**

**Although the tree has been cut down and dried, it is still alive and therefore will react to high and low temperatures, light, humidity, drought and time.**

**In cold and dry periods, the wood contracts which may lead to small cracks in the piece of furniture. The reverse happens in warm and humid periods where the wood expands and this may result in slight unevenness.**

**The colour of the wood also changes with time, particularly if the furniture is placed in a light place. This is a natural process and part of owning a piece of furniture made of solid wood.**

**Any flexing that has occurred during transport will re-correct it self once this product is correctly assembled.**

**Tighten all joints of the furniture after six months.**

**Please keep these instructions in a safe place for future use.**

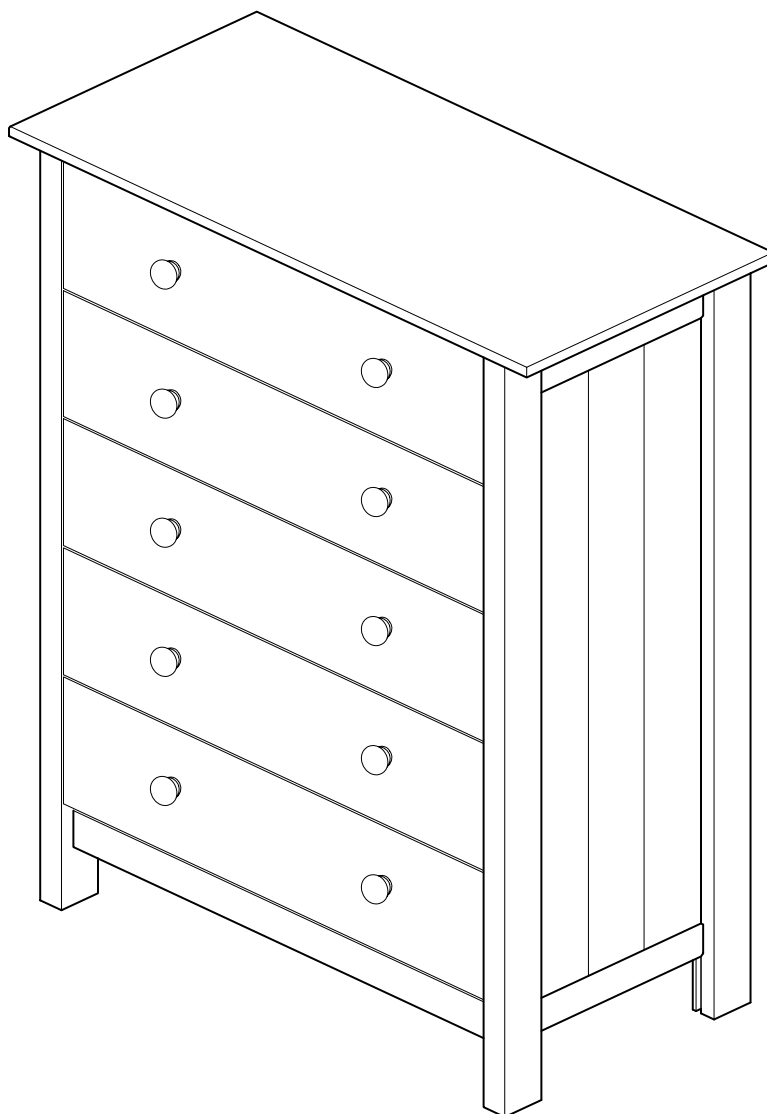
# Scandinavia - 5 Drw Chest

Assembly Instructions - Please keep for future reference

630/2018

658/1578

615/6934



## Dimensions

Width - 72cm  
Depth - 40cm  
Height - 93.3cm

**Important - Please read these instructions fully before starting assembly**

If you need help or have damaged or missing parts, call the **Customer Helpline: 08456 400800**

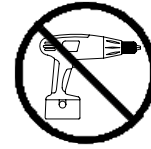


# Safety and Care Advice

**Important - Please read these instructions fully before starting assembly**

- Check you have all the components and tools listed on pages 2 and 3.
- Remove all fittings from the plastic bags and separate them into their groups.
- Keep children and animals away from the work area, small parts could choke if swallowed.
- Make sure you have enough space to layout the parts before starting.

- Do not stand on the product, this could cause damage.
- Assemble the item as close to its final position (in the same room) as possible.
- Assemble on a soft level surface to avoid damaging the unit or your floor.
- Parts of the assembly will be easier with 2 people.



• We do not recommend the use of power drill/drivers **for inserting screws**, as this could damage the unit. Only use hand screwdrivers.

- Dispose of all packaging carefully and responsibly.

## Care and maintenance

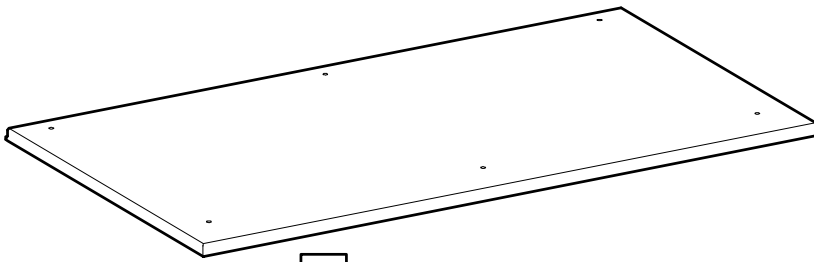
- Only clean using a damp cloth and mild detergent, do not use bleach or abrasive cleaners.
- From time to time check that there are no loose screws on this unit.
- This product should not be discarded with household waste. Take to your local authority waste disposal centre.

**Note:** if required the next page can be cut out and used as reference throughout the assembly. Keep this page with these instructions for future reference.

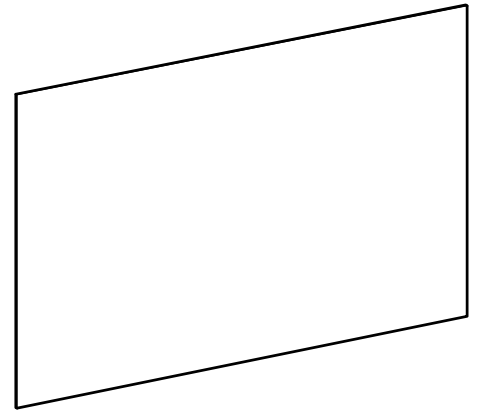
# Components - Panels

If you have damaged or missing components, call the **Customer Helpline: 08456 400800**

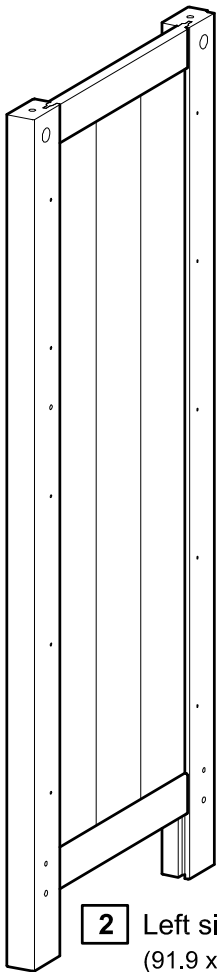
Please check you have all the panels listed below



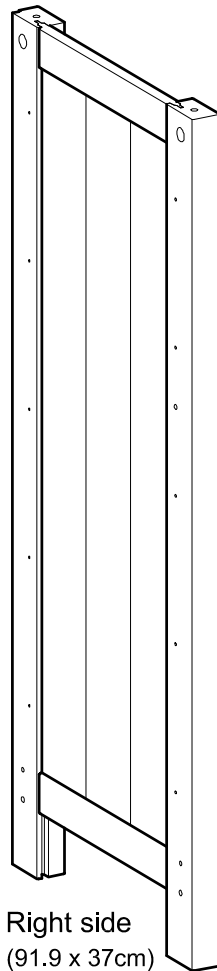
**1** Top (72 x 40cm)



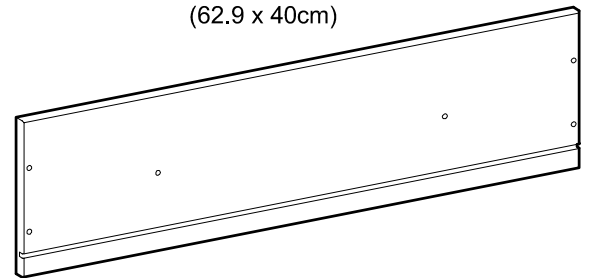
**6** Back x 2 (62.9 x 40cm)



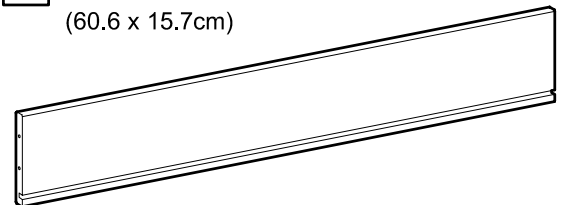
**2** Left side (91.9 x 37cm)



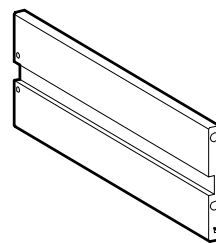
**3** Right side (91.9 x 37cm)



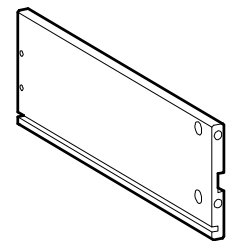
**7** Drawer front x 5 (60.6 x 15.7cm)



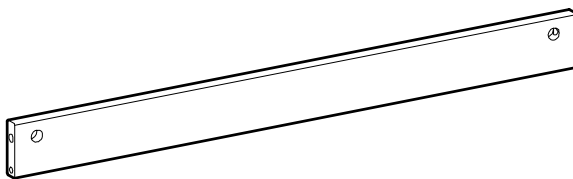
**8** Drawer back x 5 (57.9 x 9cm)



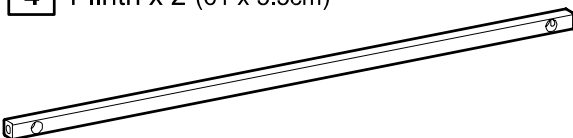
**9** Left drawer side x 5 (34.2 x 10.7cm)



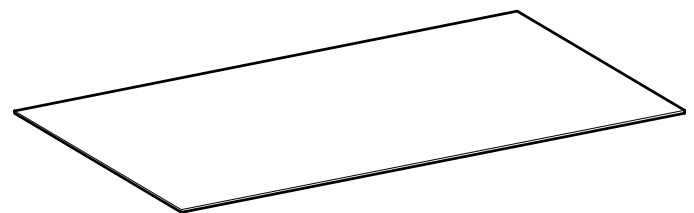
**10** Right drawer side x 5 (34.2 x 10.7cm)



**4** Plinth x 2 (61 x 5.5cm)



**5** Support bar (61 x 1.6cm)



**11** Drawer bottom x 5 (58.9 x 33.9cm)

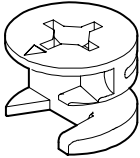
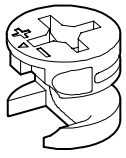
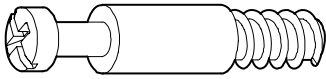
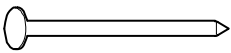

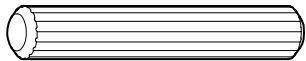
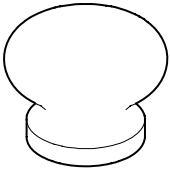
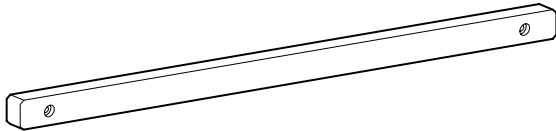


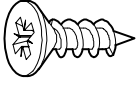
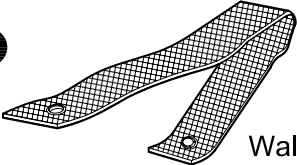
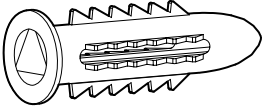
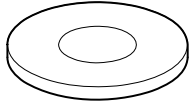
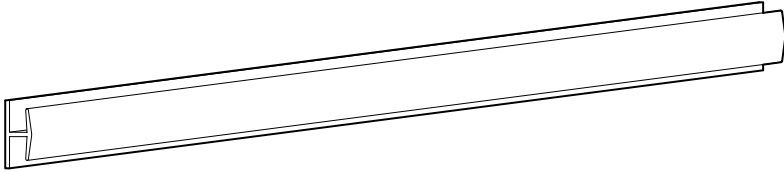




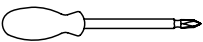
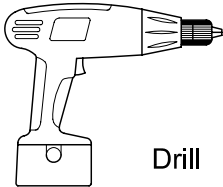

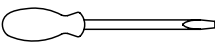

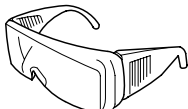
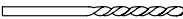
# Components - Fittings

Please check you have all the fittings listed below

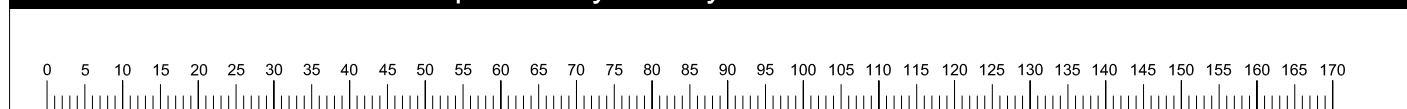
**Note:** The quantities below are correct amount to complete the assembly. In some cases more fittings may be supplied than are required.

<p><b>A</b></p>  <p>Large cam x 8</p>	<p><b>B</b></p>  <p>Small cam x 22</p>	<p><b>C</b></p>  <p>Locking pin x 30</p>
<p><b>D</b></p>  <p>16mm Nail x 30</p>	<p><b>E</b></p>  <p>35mm Screw x 30</p>	<p><b>F</b></p>  <p>30mm Dowel x 4</p>
<p><b>G</b></p>  <p>Knob x 10</p>	<p><b>H</b></p>  <p>340mm Wooden runner x 10</p>	
<p><b>I</b></p>  <p>20mm Screw x 20</p>	<p><b>J</b></p>  <p>20mm Screw x 1</p>	<p><b>K</b></p>  <p>12mm Screw x 1</p>
<p><b>L</b></p>  <p>Wall strap x 1</p>	<p><b>M</b></p>  <p>Wall plug x 1</p>	<p><b>N</b></p>  <p>Washer x 2</p>
<p><b>P</b></p>  <p>590mm Joining strip x 1</p>		

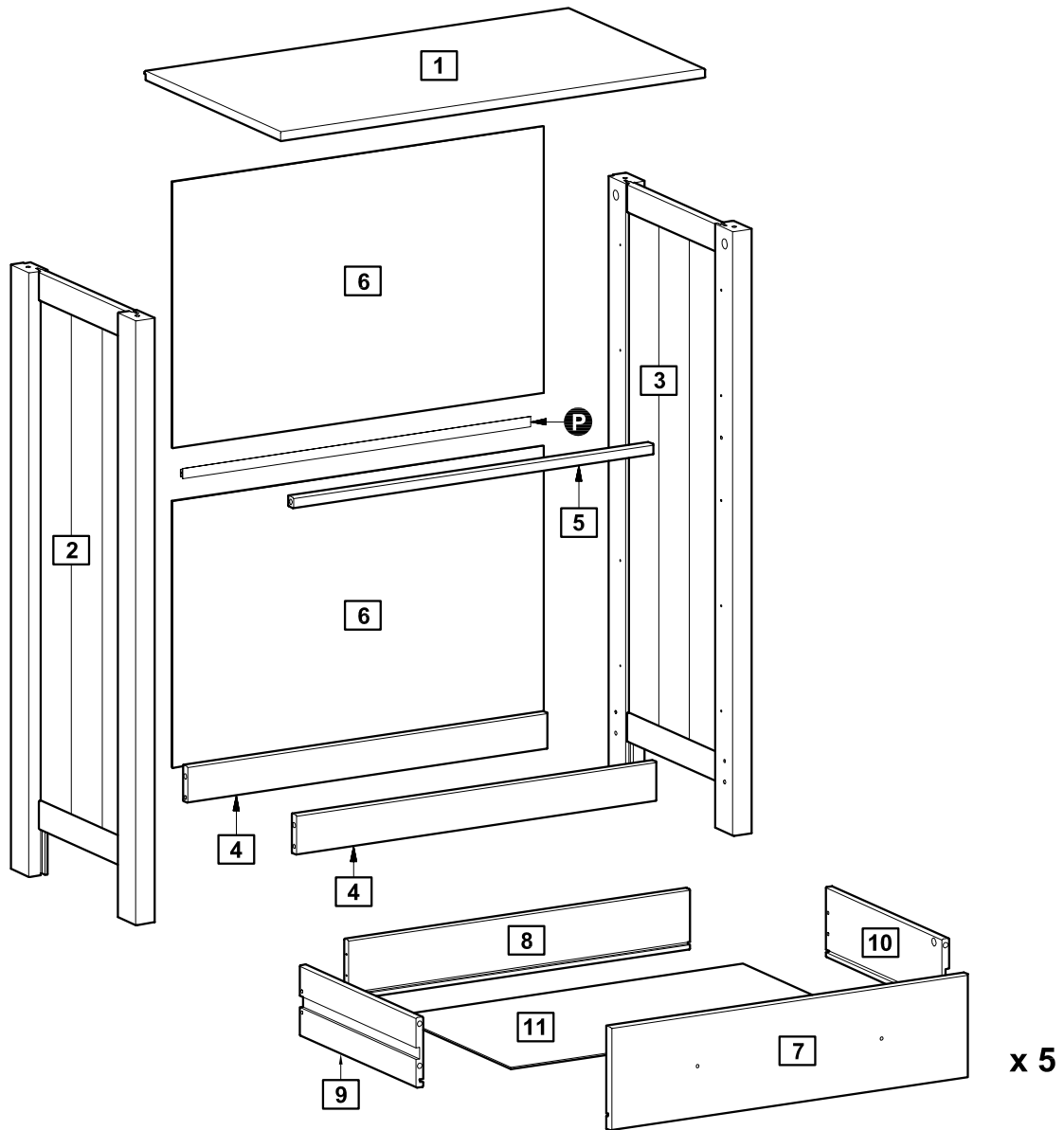
## Tools required

	<p>Philips screwdriver (medium &amp; large)</p>	 <p>Drill</p>	 <p>Small hammer</p>
	<p>Flatblade screwdriver (medium)</p>	 <p>Ruler/tape measure</p>	 <p>Eye protection (when using a hammer or glue)</p>
	<p>Suitable drill bit (for use with wall plug)</p>		

## Ruler - Use this ruler to help correctly identify the screws



# Components - Key Diagram



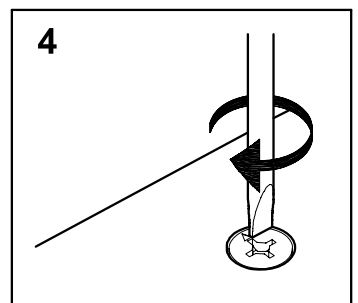
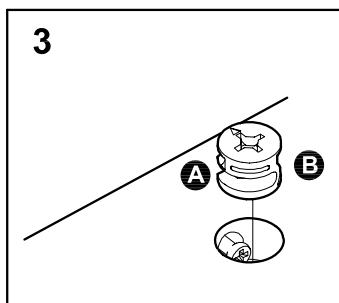
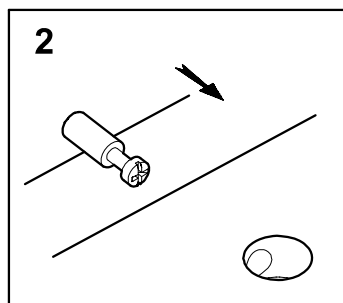
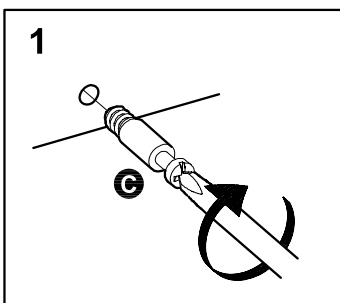
## Function of Cam and Locking Pin

**Step 1:**  
Fix the locking pin to the wooden panel.

**Step 2:**  
Push the wooden panel with the attached locking pin onto the other wooden panel.

**Step 3:**  
Place the cam into the hole, arrow pointing towards the locking pin.

**Step 4:**  
Tighten: Turn the cam to the right.

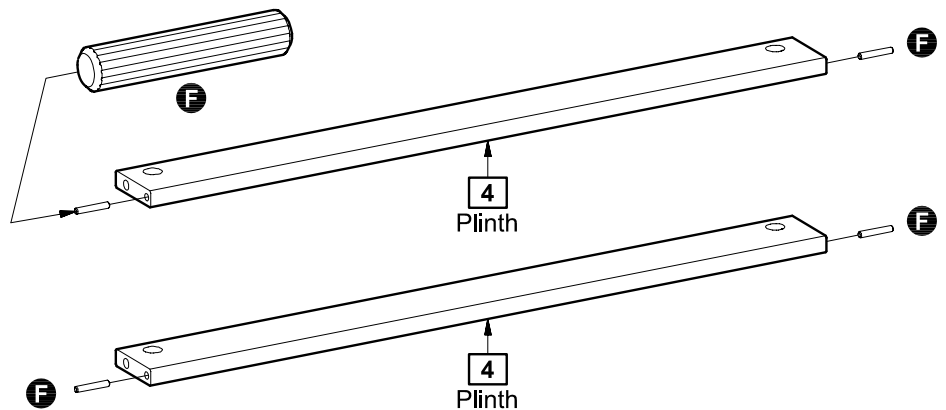


# Assembly Instructions

## Step 1

Inserting the dowels to the plinths.

Insert the dowels **F** into the holes indicated on the plinths **4**.

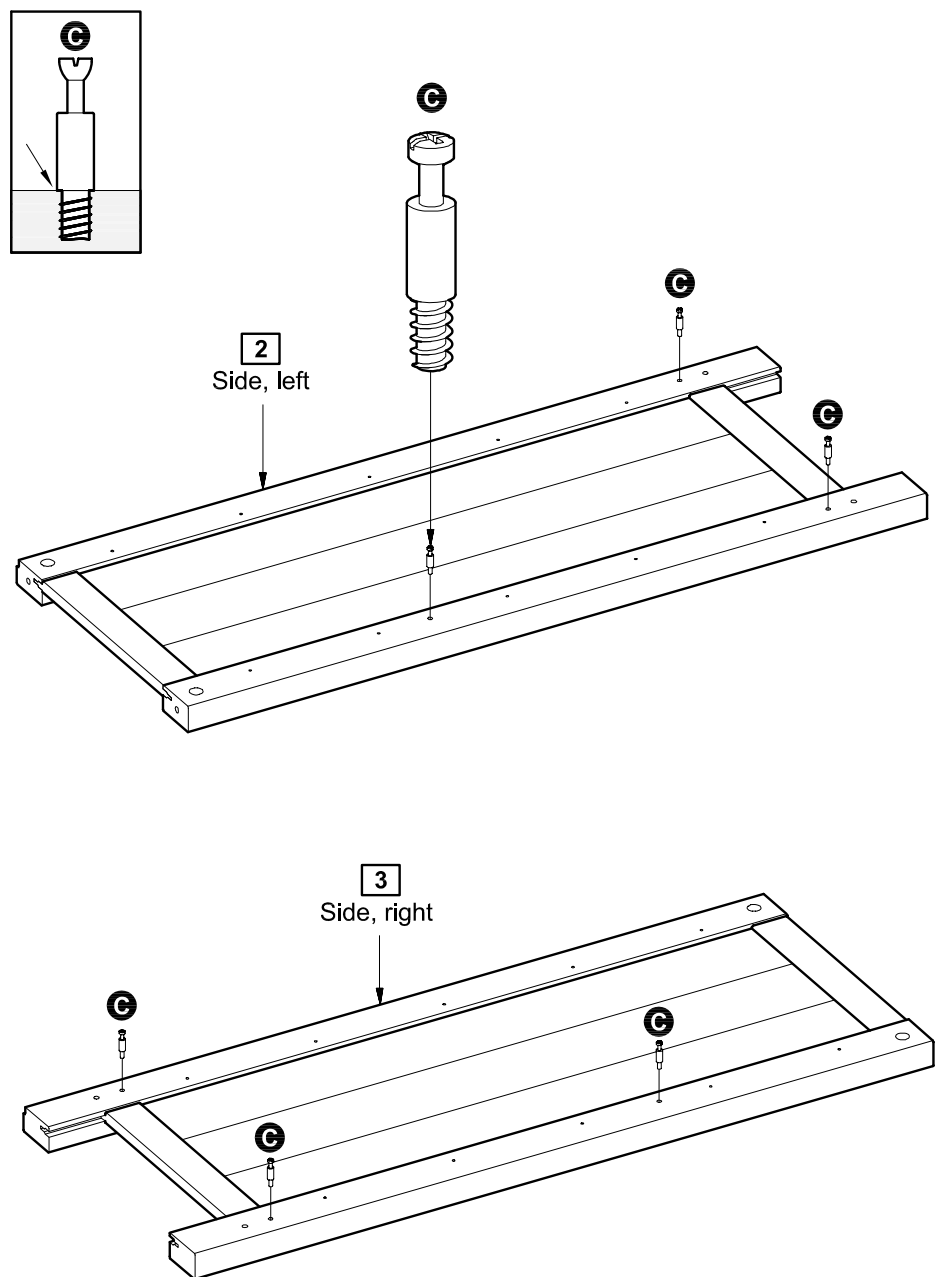


## Step 2

Mounting the locking pins to the sides.

Screw the locking pins **G** into the holes indicated on the sides **2** and **3**.

**Note:** Insert locking pins **G** as far as shown. **Do not over tighten.**

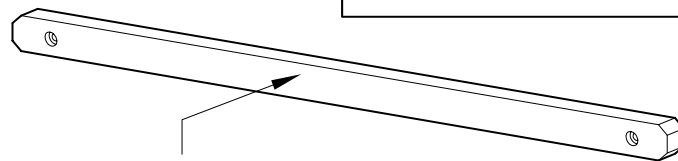
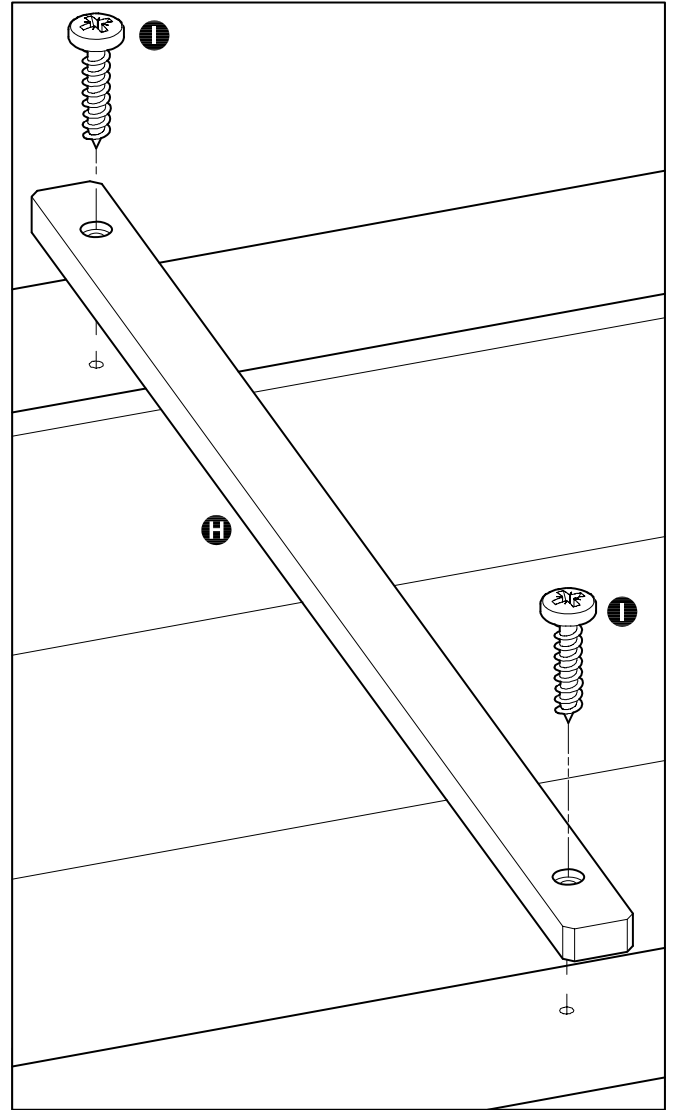


# Assembly Instructions

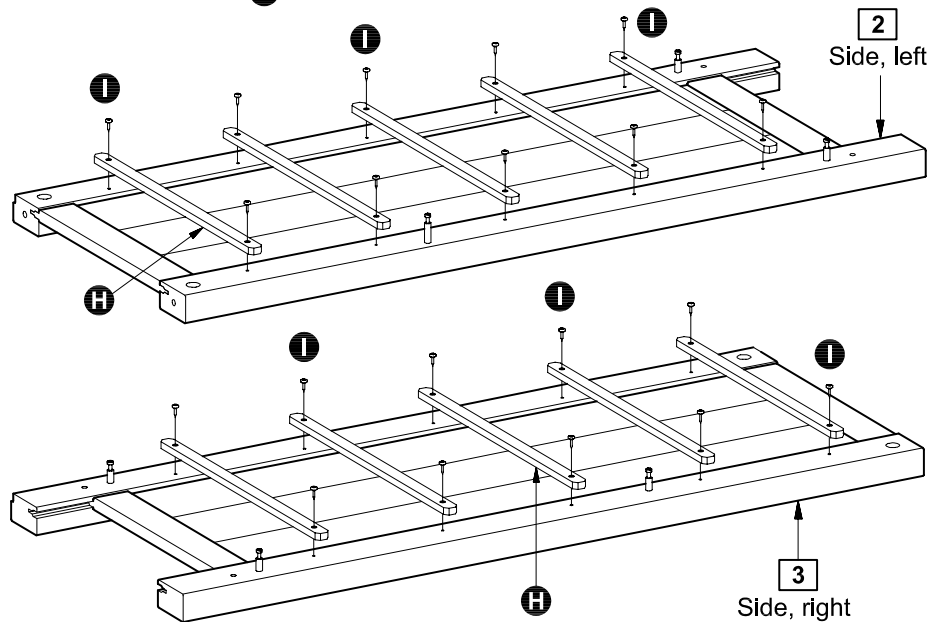
## Step 3

### Attaching the wooden runners to the sides.

Fix the wood runners **H** to the sides **2** and **3**, using screws **I** through the holes indicated.



Wooden runners **H**



# Assembly Instructions

## Step 4

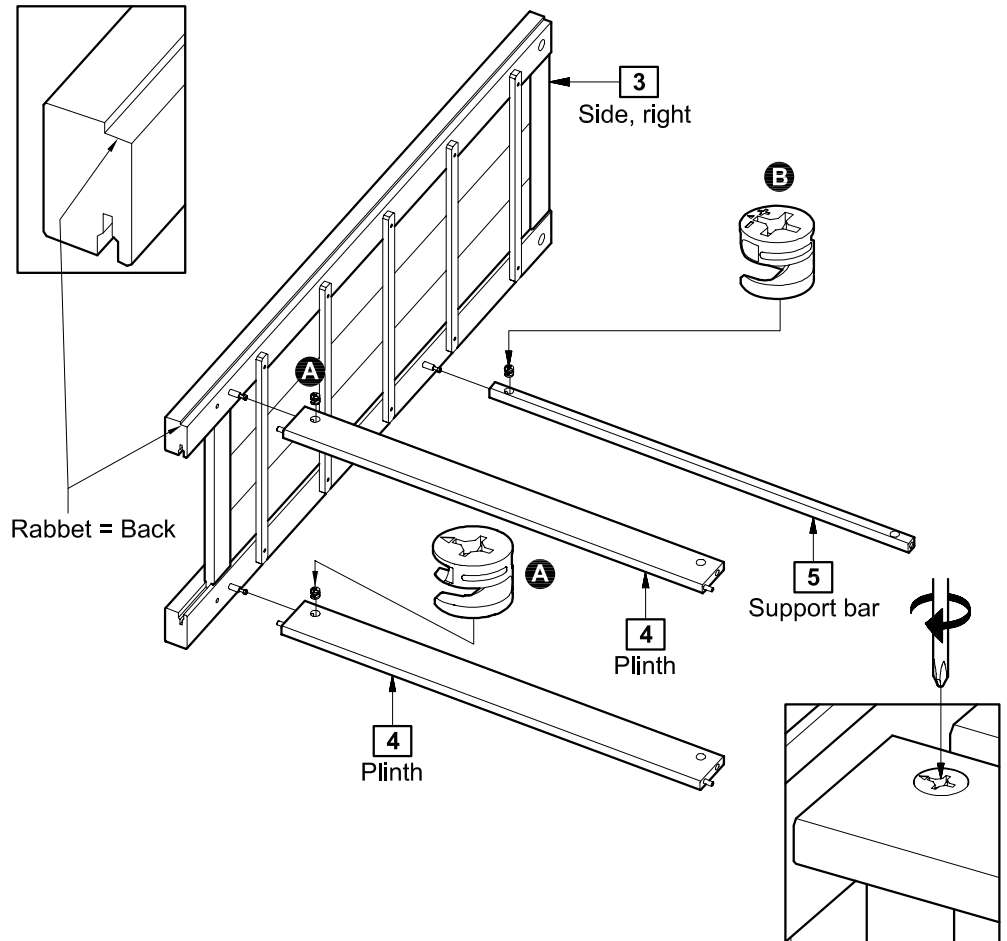
### Adding the plinths & the support bar to the side, right.

Fit the plinths **4** and the support bar **5** onto the side **3**.

See page 4 "Function of cam and locking pin".

Place the large cams **A** and small cam **B** into the holes indicated, arrows pointing towards the side / locking pins.

To tighten cams: Turn to the right using a screwdriver.



## Step 5

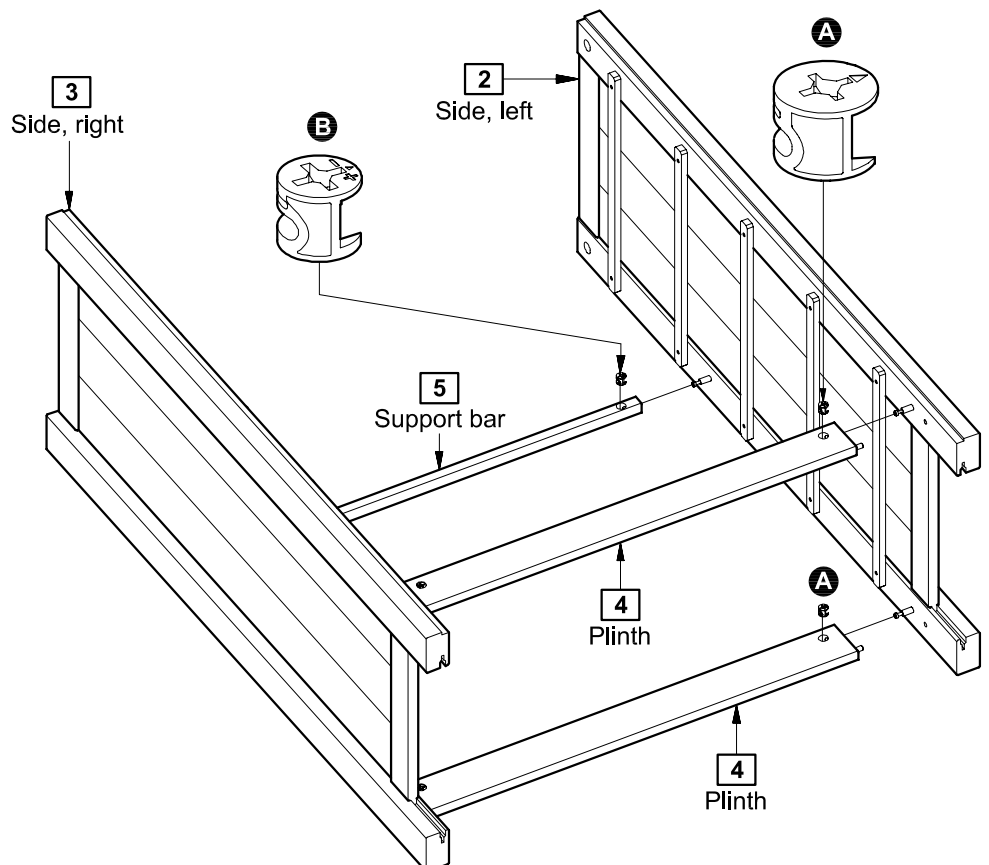
### Assembling the side, left to the plinths and support bar.

Fit the side **2** onto the plinths **4** and the support bar **5**.

See page 4 "Function of cam and locking pin".

Place the large cam **A** and small cam **B** into the holes indicated, arrows pointing towards the side / locking pins.

To tighten cams: Turn to the right using a screwdriver.



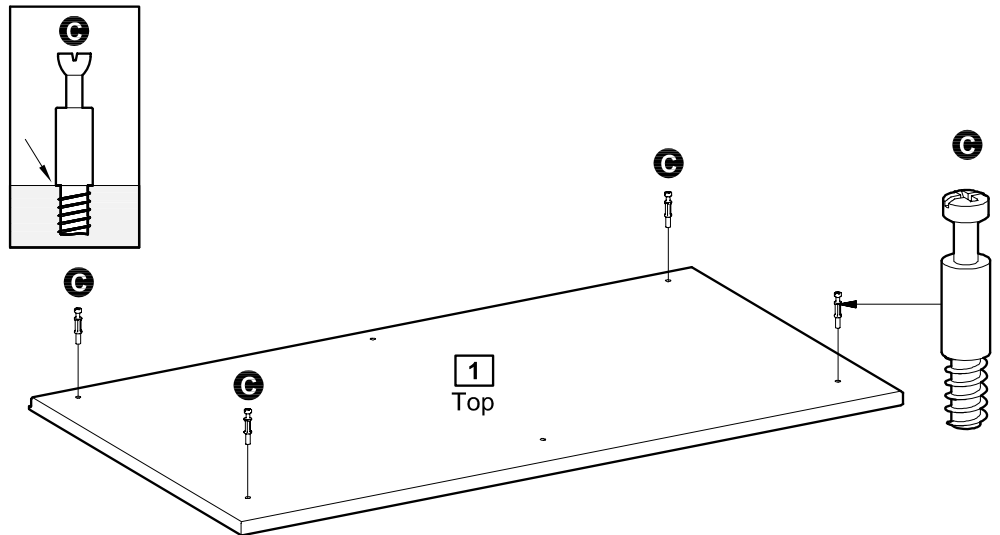
# Assembly Instructions

## Step 6

### Mounting the locking pins to the top.

Screw the locking pins **G** into the holes indicated on the top **1**.

**Note:** Insert locking pins **G** as far as shown. **Do not over tighten.**



## Step 7

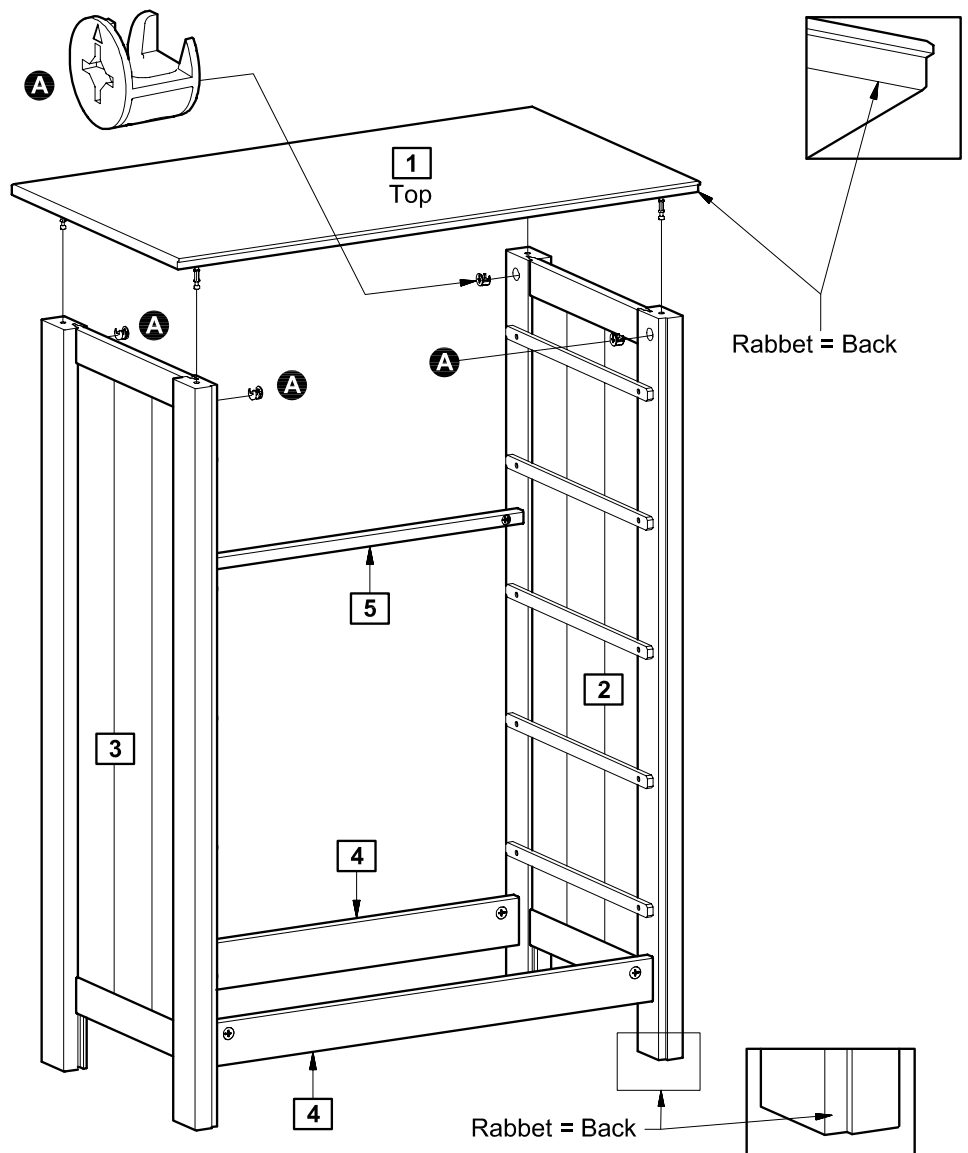
### Assembling the top to the sides.

Lower the top **1** onto the sides **2** and **3**.

See page 4 "Function of cam and locking pin".

Place the large cams **A** into the holes indicated, arrows pointing towards the locking pins.

To tighten cams: Turn to the right using a screwdriver.



# Assembly Instructions

## Step 8

### Nailing the back to the top and sides.

Place the back **6** into the rabbet of the top **1** and the side **3**.

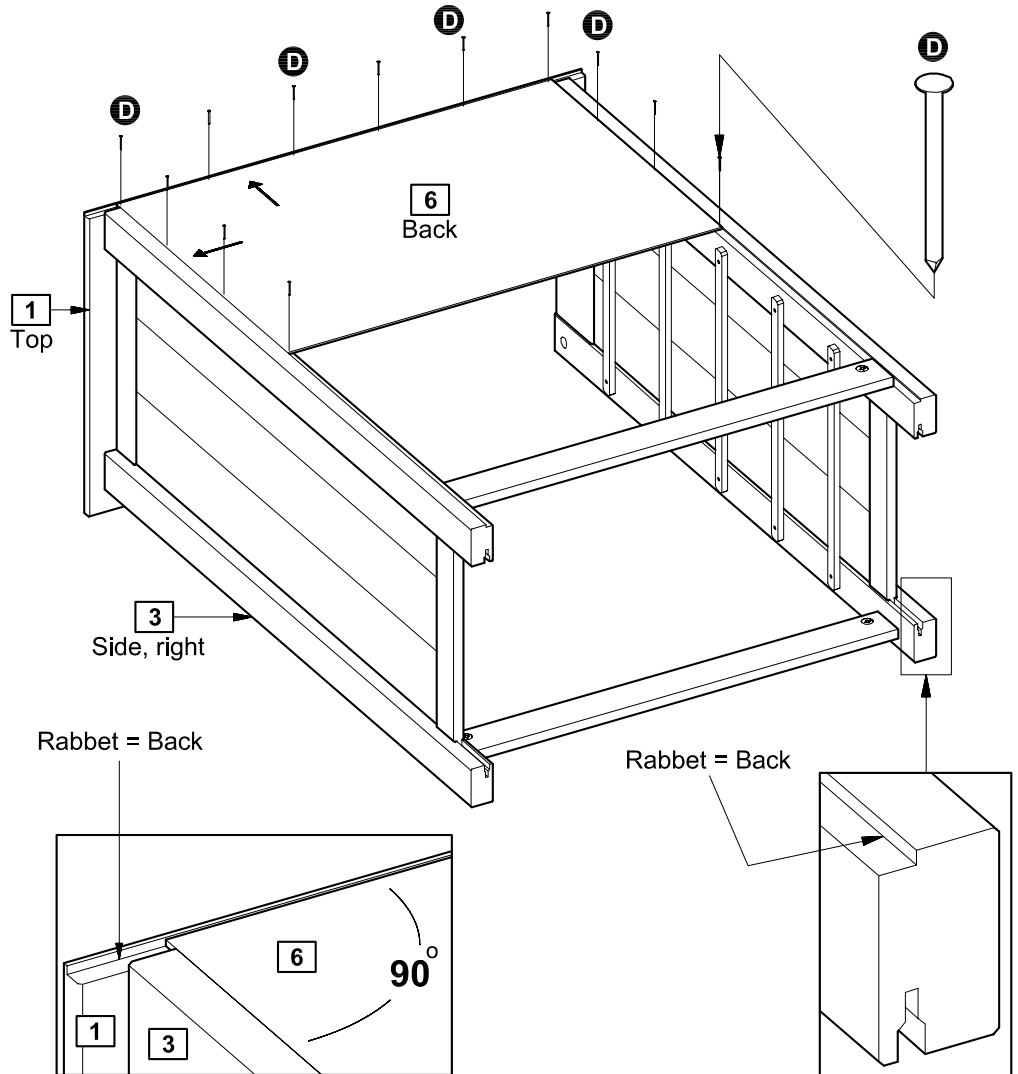
Ensure that there is no gap between the right hand side **3** and the back **6**, nor between the top and the back.

Fasten the back with nails **D** along the top.

The angle between the top and the side must be 90 degrees.

To accomplish this, ensure that there is no gap between the right hand side **3** and the back **6**.

Fasten the back with nails **D** along the sides.

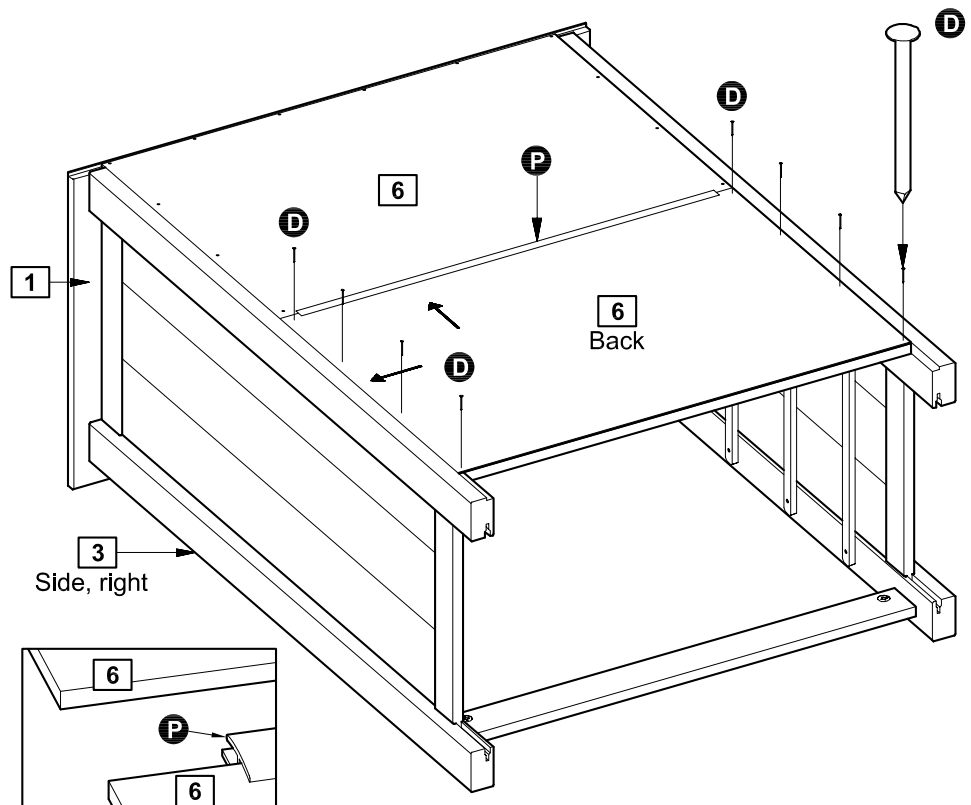


## Step 9

### Adding the lower back and the joining strip.

Place the joining strip **P** in between the upper and lower backs **6**.

Fasten the back with nails **D** along the sides.



# Assembly Instructions

## Step 10

### Drawer assembly.

**a:** Fix the drawer sides **9** and **10** to the drawer back **8** using screws **E**.

**b:** Slide the drawer bottom **11** into the grooves of the drawer frame.

**c:** Screw the locking pins **C** into the holes indicated on the drawer front **7**.

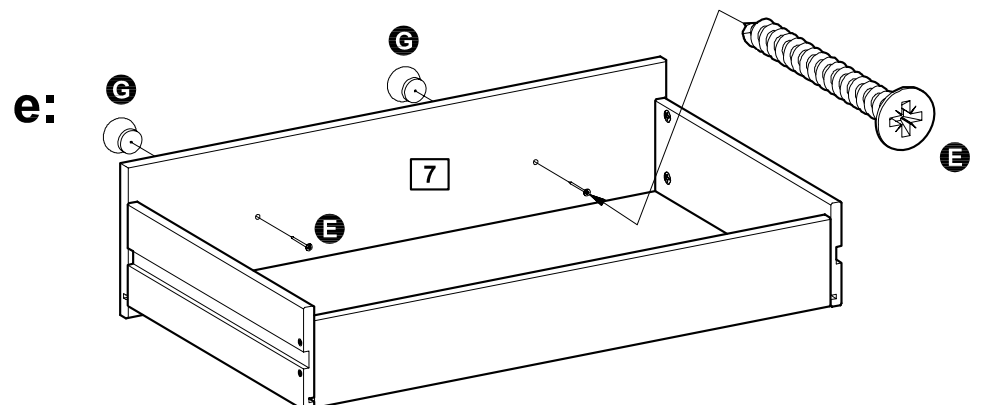
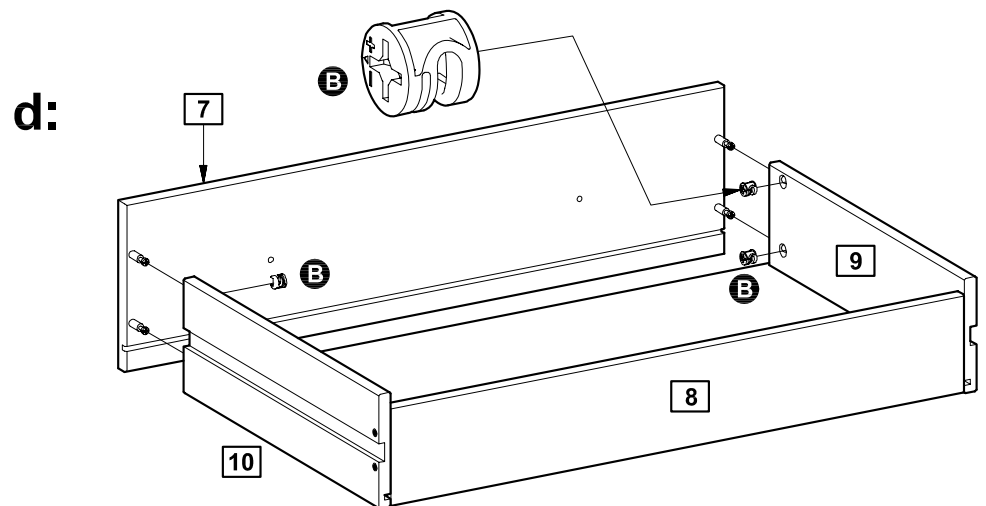
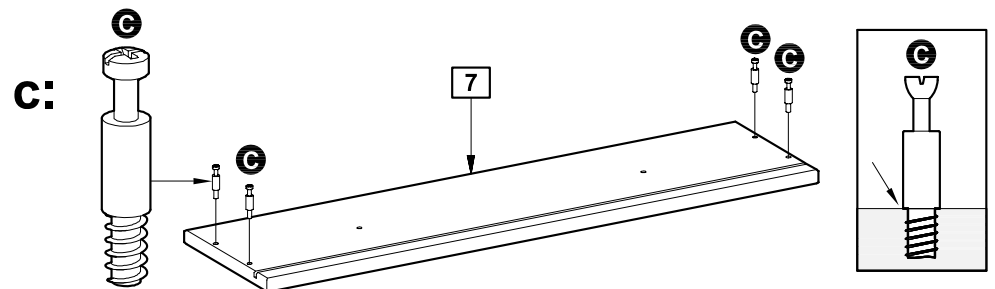
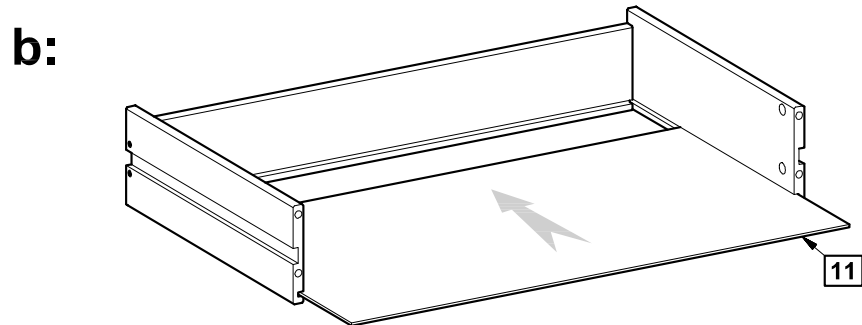
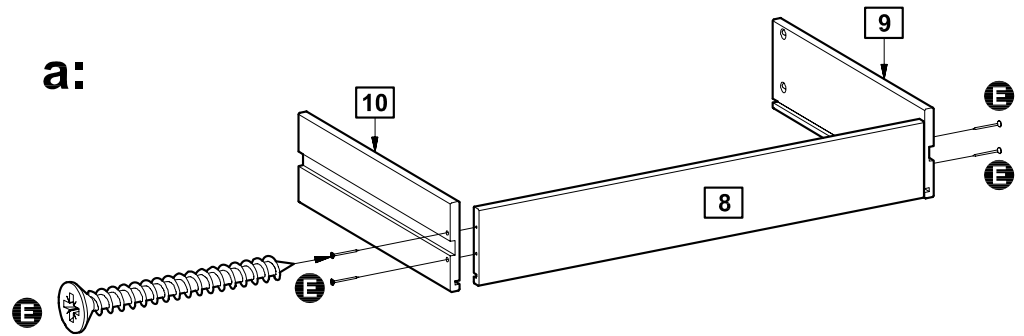
**Note:** Insert locking pins **C** as far as shown. **Do not over tighten.**

**d:** Press the drawer front **7** onto the drawer sides **9** and **10**. Place the small cams **B** into the holes indicated, arrows pointing towards the drawer front / locking pins.

To tighten cams: Turn to the right using a screwdriver.  
"Function of cam and locking pin" see page 4.

**e:** Fix the knobs **G** to the drawer front **7** using screws **E**.

**Repeat with remaining drawers.**



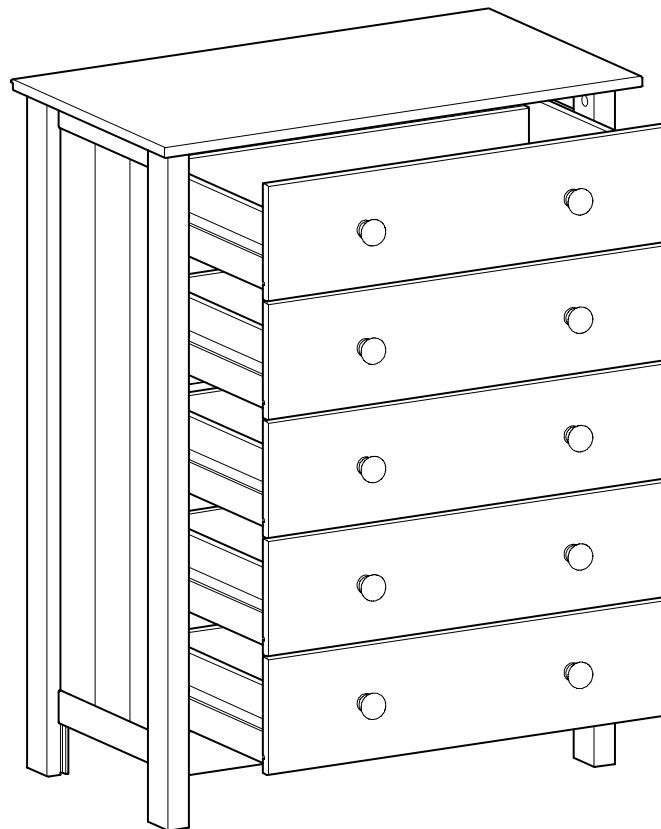


# Assembly Instructions

## Step 11

### Adding the drawers to the carcass.

Slide the drawers onto the wooden runners.



# Assembly Instructions

## Step 12

### Fixing to wall.

It is recommended that the drawer chest is fixed to a wall.

Fix wall strap **L** to top of drawer chest using screw **K**.

With help, move drawer chest into position.



**Warning:**  
The drawer chest is heavy.  
**Lift with care.**

Mark fixing holes on wall and remove drawer chest.

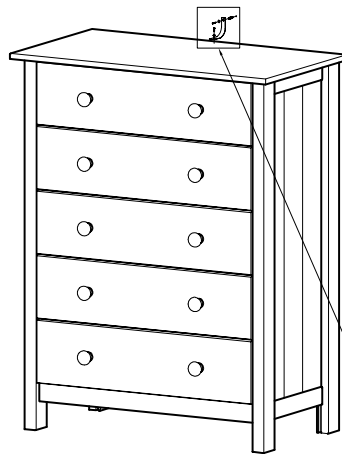
Drill 7mm hole and insert wall plug **M**.



**Warning:**  
Before drilling, check wall for hidden pipes and cables.

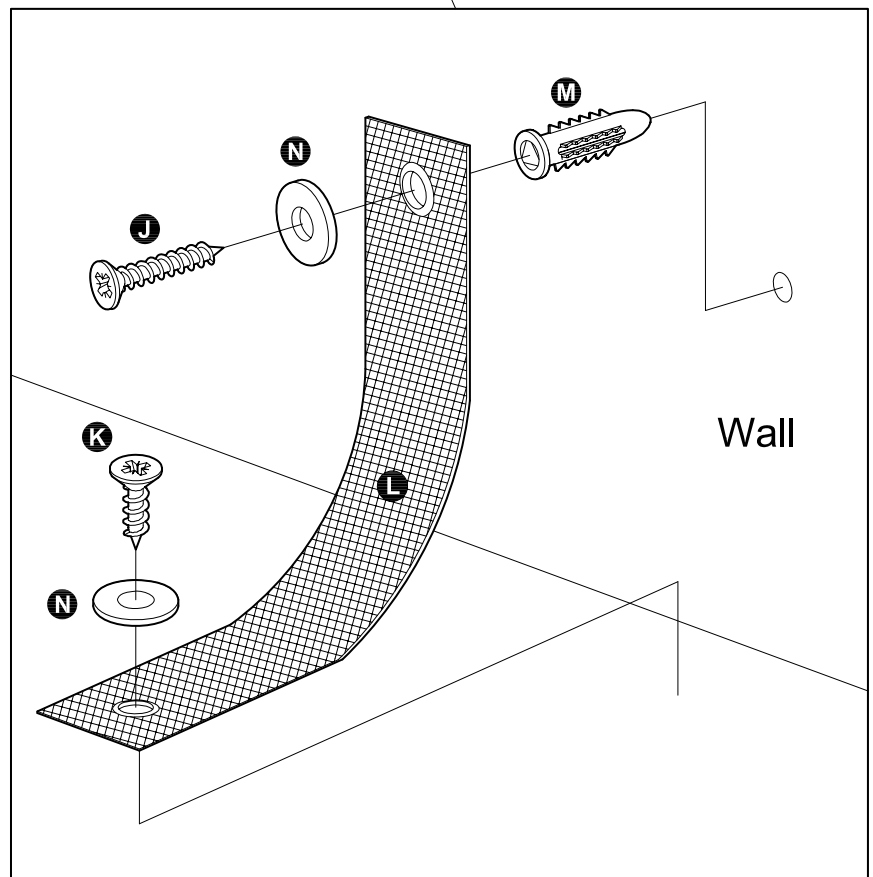
Reposition drawer chest and fix wall strap using screw **J**.

**Assembly is complete.**



**Note:** Wall plugs supplied are for solid walls only.

The correct type of fixing must be used for your wall, seek professional advice if in doubt.



If you need help or have damaged or missing parts, call the **Customer Helpline: 08456 400800**

# A Guide to - Wall Mounting & Fixings

## Important note:

If plastic wall plugs are supplied with your product:



- these are only suitable for use in masonry walls.

If you are in any doubt about the correct wall plugs for your wall, seek professional advice.

Failure of the product due to using incorrect fixings is the responsibility of the installer.



**Important:** When drilling into walls always check that there are no hidden wires or pipes etc.

Make sure that the screws and wall plugs being used are suitable for supporting your unit. Consult a qualified tradesperson if you are unsure.

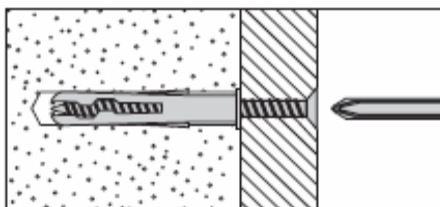
### Hints:

- 1: **General rule:** ⚠ Always use a larger screw and wall plug if you are not sure.
- 2: Ensure you use the recommended drill bit to match the wall plug and hole size.
- 3: Ensure you drill the hole horizontally, do not force the drill or enlarge the hole.
- 4: Take extra care when drilling high walls, ceilings and ceramic tiles. Ensure wall plugs are inserted beyond the thickness of the ceramic tiles to avoid the tiles splitting or cracking.
- 5: Ensure wall plugs are well fitted and are a tight fit in the drilled hole.

## Types of walls

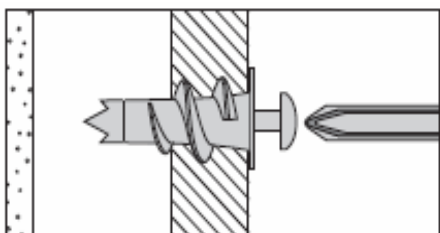
You can use one of the following types of wall plug if your walls are made of brick, breeze block, concrete, stone or wood.

### No.1 "General Purpose" wall plug



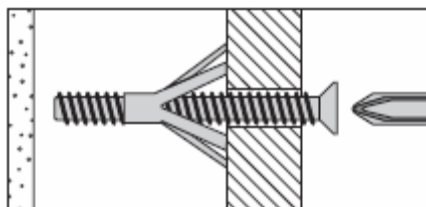
Generally aerated blocks should not be used to support heavy loads, use a specialist fitting in this case. For light loads, general purpose wall plugs can be used.

### No.2 "Plasterboard" wall plug



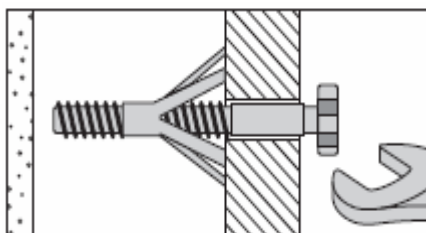
For use when attaching light loads on to plasterboard partitions.

### No.3 "Cavity Fixing" wall plug



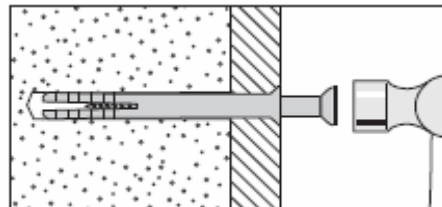
For use with plasterboard partitions or hollow wooden doors.

### No.4 "Cavity Fixing-Heavy Duty" wall plug



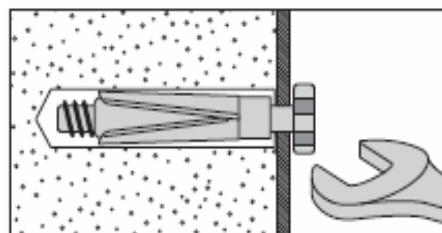
For use when fitting or supporting heavy loads such as shelving, wall cabinets and coat racks.

### No.5 "Hammer Fixing" wall plug



For use with walls stuck with plasterboard. The hammer fixing allows it to be fixed to the wall rather than the plasterboard. Always check the fixing is secure to the retaining wall.

### No.6 "Shield Anchor" wall plug Heavy loads



For use with heavier loads such as TV & HiFi speakers and satellite dishes etc.



## Care & Maintenance

**Safety:** Always check the fitting and location to ensure your safety in and around the home.

**Fitting:** From time to time check the fitting to ensure the wall plugs or screws do not become loose.

## Dear Customer

**Please note that the product you have purchased is a natural living timber.**

**Just like nature itself, wood varies in shape and colour. Knots, vein patterns, resin pockets and colour differences contribute to giving the piece of furniture its beauty and form - a natural part of solid wood.**

**Although the tree has been cut down and dried, it is still alive and therefore will react to high and low temperatures, light, humidity, drought and time.**

**In cold and dry periods, the wood contracts which may lead to small cracks in the piece of furniture. The reverse happens in warm and humid periods where the wood expands and this may result in slight unevenness.**

**The colour of the wood also changes with time, particularly if the furniture is placed in a light place. This is a natural process and part of owning a piece of furniture made of solid wood.**

**Any flexing that has occurred during transport will re-correct it self once this product is correctly assembled.**

**Tighten all joints of the furniture after six months.**

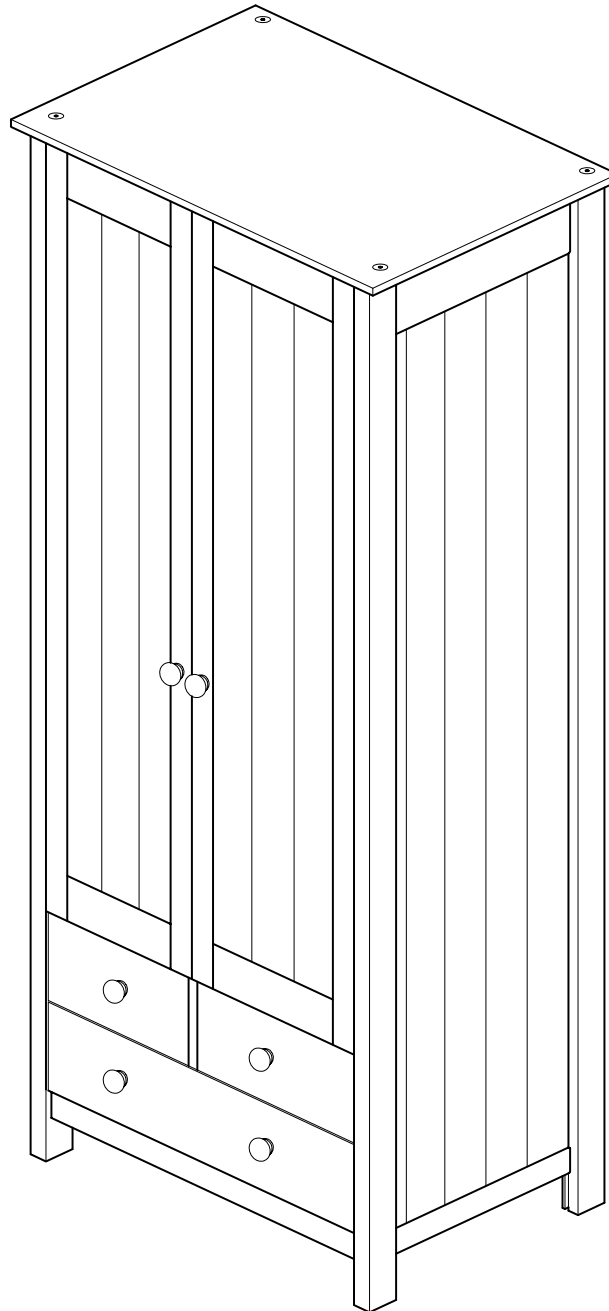
**Please keep these instructions in a safe place for future use.**

# Scandinavia - 2 Door Robe w. 1+2 drws.

Assembly Instructions - Please keep for future reference

642/3791

643/8504



## Dimensions

Width - 75cm  
Depth - 53cm  
Height - 179.9cm

**Important - Please read these instructions fully before starting assembly**

If you need help or have damaged or missing parts, call the **Customer Helpline: 08456 400800**



# Safety and Care Advice

**Important - Please read these instructions fully before starting assembly**

- Check you have all the components and tools listed on pages 2 and 3.
- Remove all fittings from the plastic bags and separate them into their groups.
- Keep children and animals away from the work area, small parts could choke if swallowed.
- Make sure you have enough space to layout the parts before starting.

- Do not stand on the product, this could cause damage.
- Assemble the item as close to its final position (in the same room) as possible.
- Assemble on a soft level surface to avoid damaging the unit or your floor.
- Parts of the assembly will be easier with 2 people.



- We do not recommend the use of power drill/drivers **for inserting screws**, as this could damage the unit. Only use hand screwdrivers.

- Dispose of all packaging carefully and responsibly.

## Care and maintenance

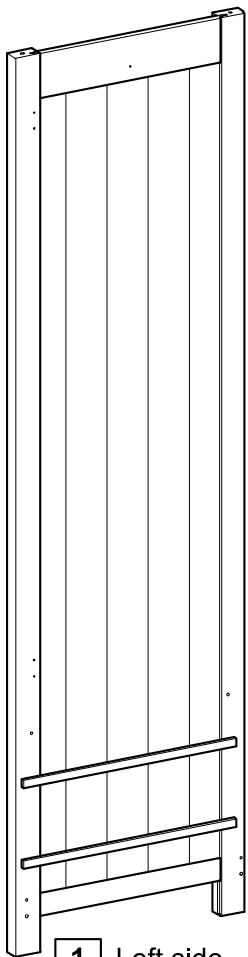
- Only clean using a damp cloth and mild detergent, do not use bleach or abrasive cleaners.
- From time to time check that there are no loose screws on this unit.
- This product should not be discarded with household waste. Take to your local authority waste disposal centre.

**Note:** if required the next page can be cut out and used as reference throughout the assembly. Keep this page with these instructions for future reference.

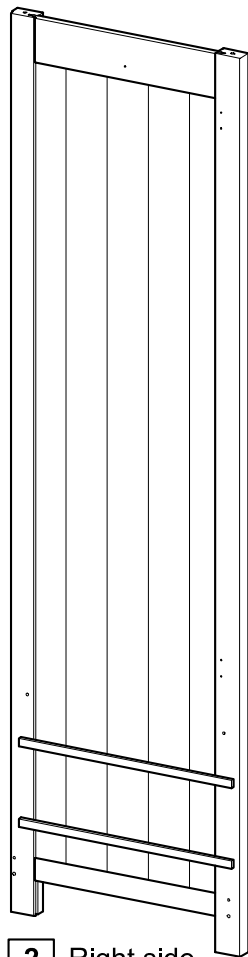
# Components - Panels

If you have damaged or missing components, call the **Customer Helpline: 08456 400800**

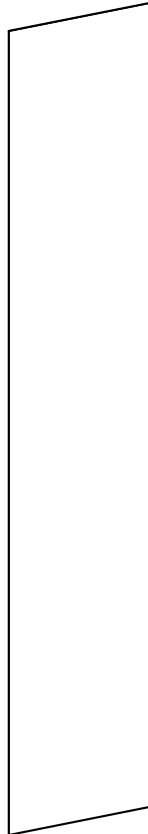
Please check you have all the panels listed below



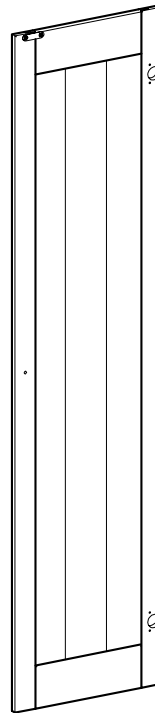
**1** Left side  
(178.5 x 49.8cm)



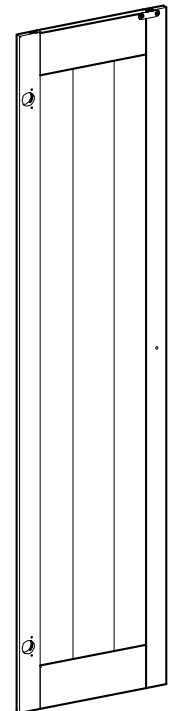
**2** Right side  
(178.5 x 49.8cm)



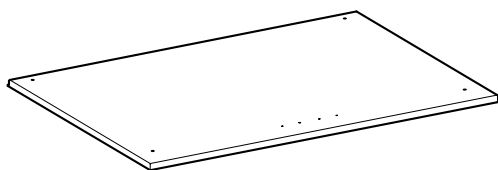
**3** Back x 2  
(171 x 32.7cm)



**4** Left door  
(134.4 x 31.6cm)



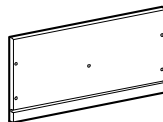
**5** Right door  
(134.4 x 31.6cm)



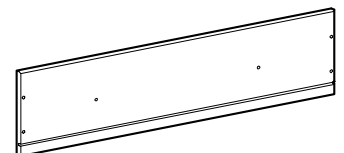
**6** Top (75 x 53cm)



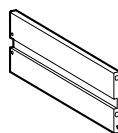
**7** Plinth x 2 (64 x 5.5cm)



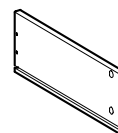
**11** Small drawer front x 2  
(30.9 x 15.7cm)



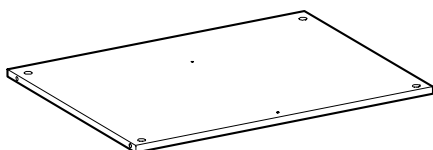
**10** Large drawer front  
(63.6 x 15.7cm)



**12** Left drawer side x 3  
(34.2 x 10.7cm)



**13** Right drawer side x 3  
(34.2 x 10.7cm)



**8** Bottom (64 x 48cm)



**14** Large drawer back  
(60.8 x 9cm)



**15** Small drawer back x 2  
(28.1 x 9cm)



**9** Small divider  
(38 x 15.3cm)



**16** Large drawer bottom  
(61.8 x 33.9cm)




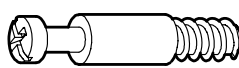
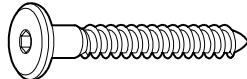



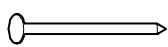
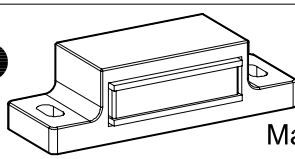
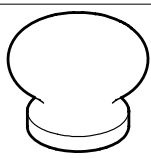
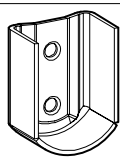
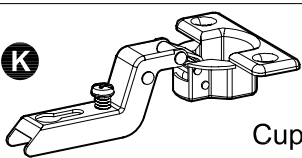
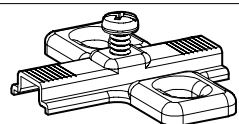
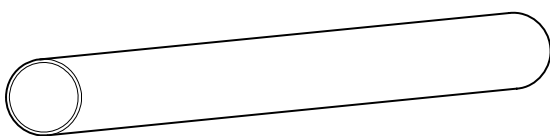


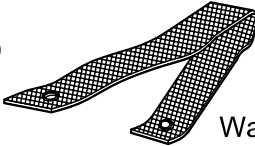
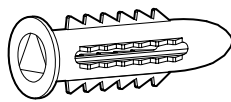
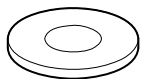

**17** Small drawer bottom x 2  
(33.9 x 29.1cm)



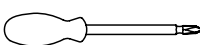
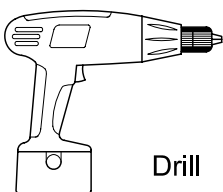

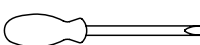

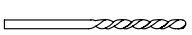
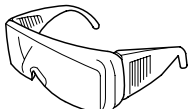
# Components - Fittings

Please check you have all the fittings listed below

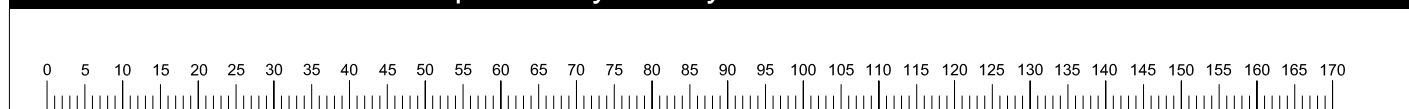
**Note:** The quantities below are correct amount to complete the assembly. In some cases more fittings may be supplied than are required.

 <p><b>A</b> Cam x 22</p>	 <p><b>B</b> Locking pin x 22</p>	 <p><b>C</b> 50mm Screw x 4</p>
 <p><b>D</b> 14mm Screw x 18</p>	 <p><b>E</b> 25mm Screw x 8</p>	 <p><b>F</b> 35mm Screw x 18</p>
 <p><b>G</b> 16mm Nail x 30</p>	 <p><b>H</b> Magnet x 2</p>	 <p><b>I</b> Knob x 6</p>
 <p><b>J</b> Hanging rail cup x 2</p>	 <p><b>K</b> Cup hinge x 4</p>	 <p><b>L</b> Cross plate x 4</p>
 <p><b>M</b> 636mm Hanging rail x 1</p>		 <p><b>N</b> Allen key x 1</p>
 <p><b>O</b> 20mm Screw x 2</p>	 <p><b>P</b> Wall strap x 2</p>	 <p><b>Q</b> Wall plug x 2</p>
 <p><b>R</b> Washer x 4</p>	 <p><b>S</b> 1335mm Joining strip x 1</p>	

## Tools required

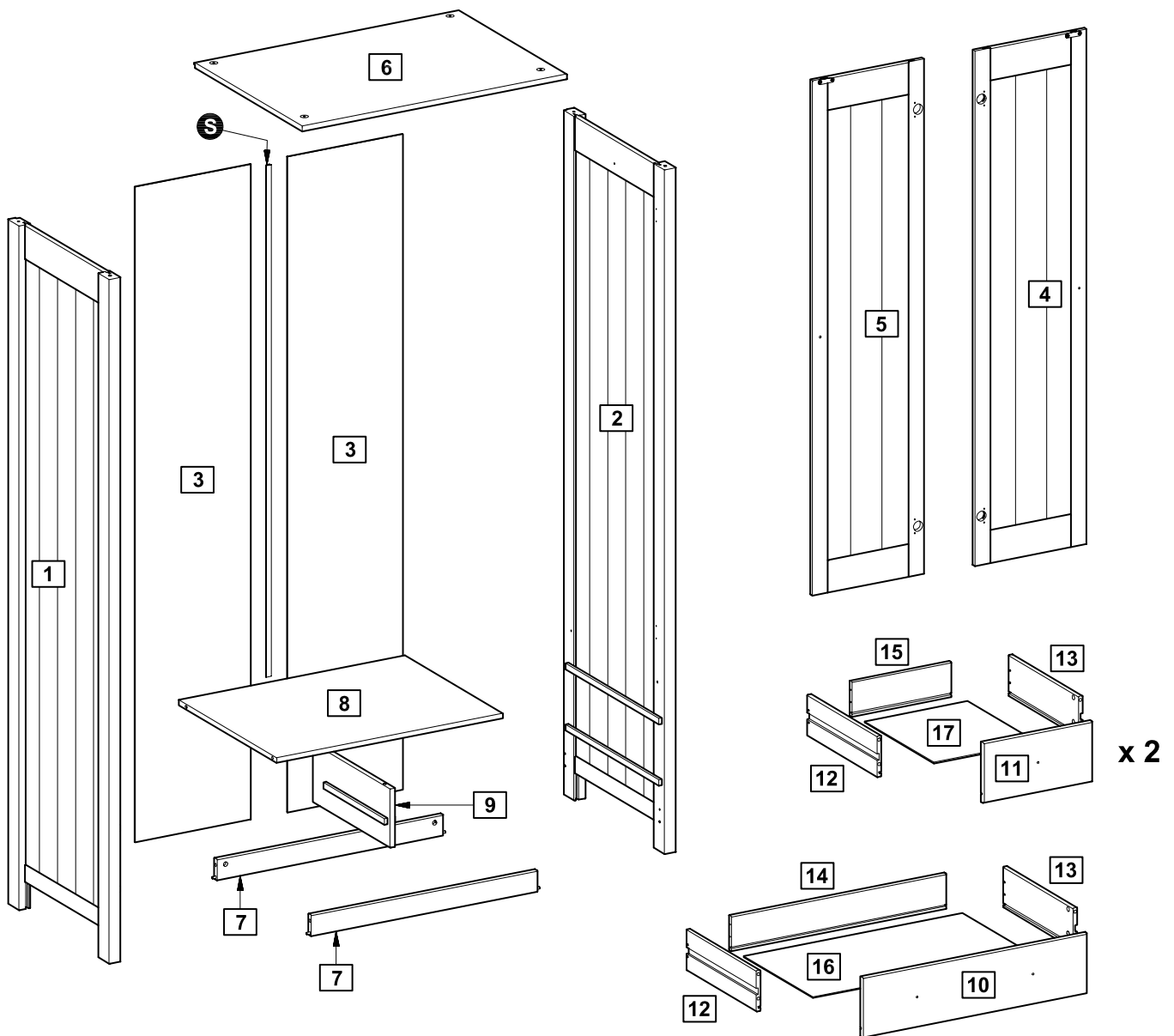
	<p>Philips screwdriver (medium &amp; large)</p>	 <p>Drill</p>	 <p>Small hammer</p>
	<p>Flatblade screwdriver (medium)</p>		 <p>Ruler/tape measure</p>
	<p>Suitable drill bit (for use with wall plug)</p>		 <p>Eye protection (when using a hammer or glue)</p>

## Ruler - Use this ruler to help correctly identify the screws





# Components - Key Diagram



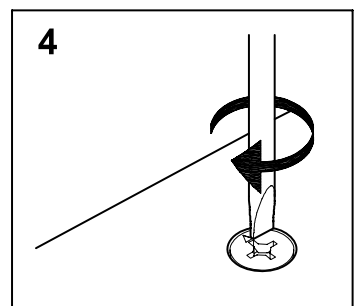
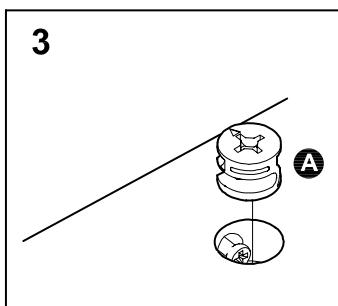
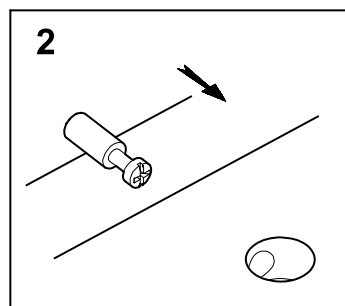
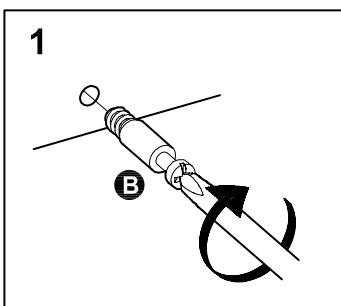
# Function of Cam and Locking Pin

**Step 1:**  
Fix the locking pin to the wooden panel.

**Step 2:**  
Push the wooden panel with the attached locking pin onto the other wooden panel.

**Step 3:**  
Place the cam into the hole, arrow pointing towards the locking pin.


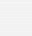
**Step 4:**  
Tighten: Turn the cam to the right.



# Assembly Instructions

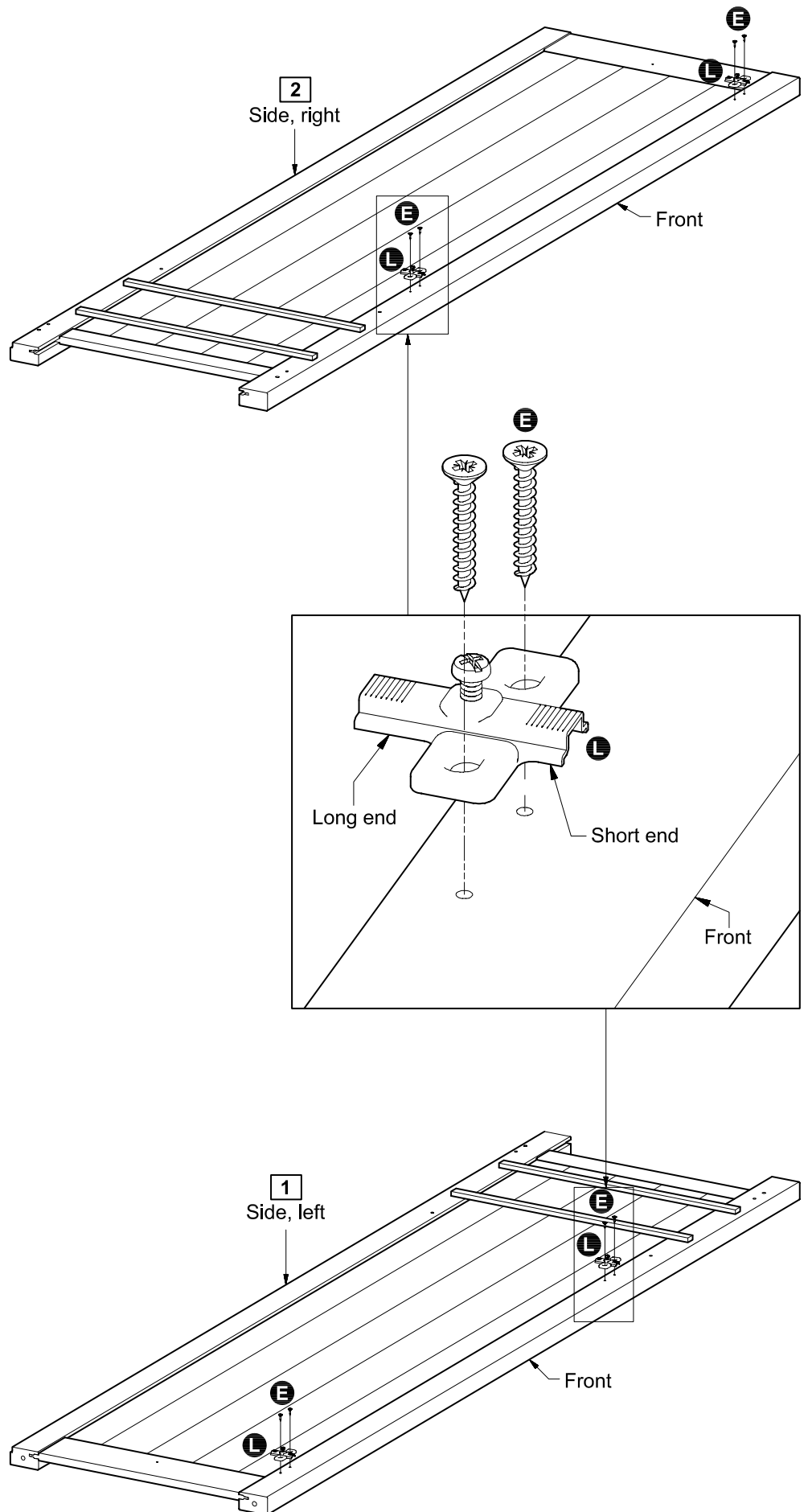
## Step 1

### Mounting the cross plates to the sides.

Fix the cross plates  to the sides **1** & **2** using the screws  into the holes indicated.

It is important that the cross plates are placed exactly as shown.

The short end of the cross plates must point towards the front edge of the sides.

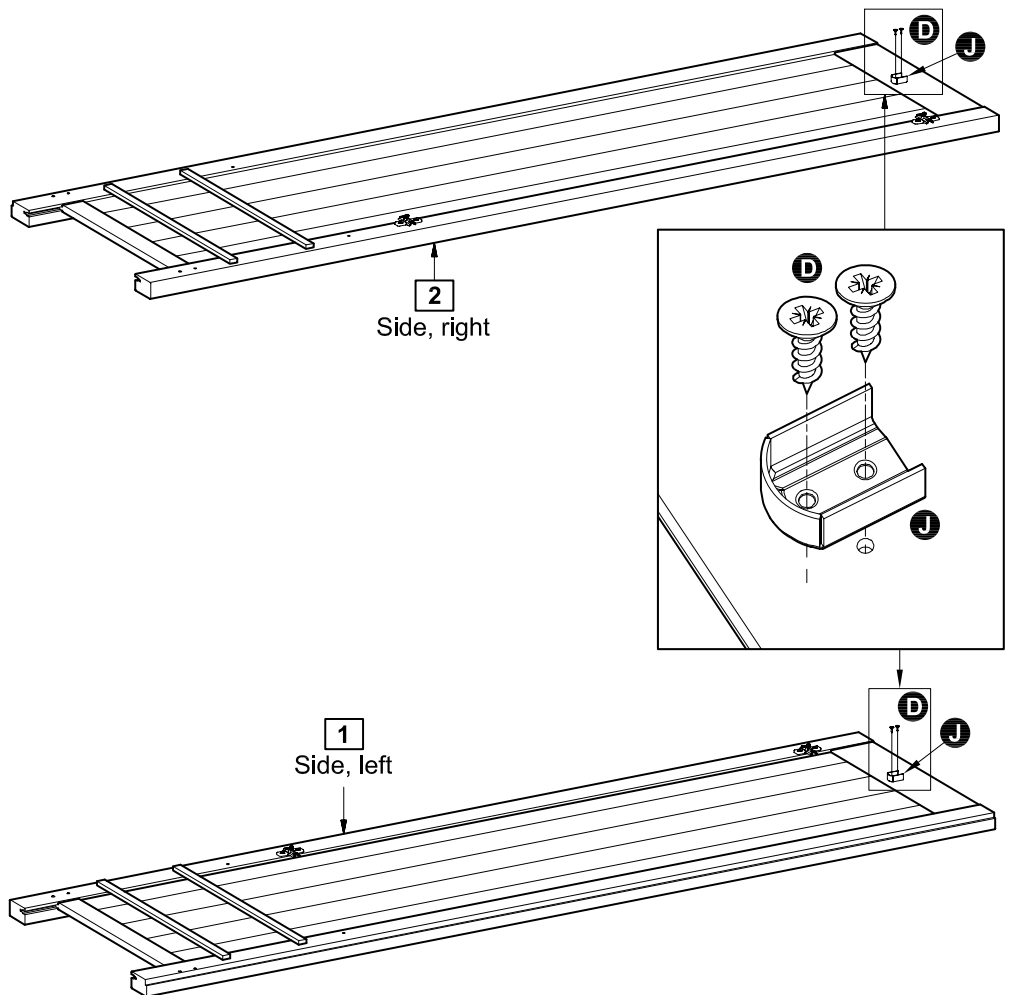


# Assembly Instructions

## Step 2

### Mounting the hanging rail cups to the sides.

Fix the hanging rail cups **J** onto the sides **1** and **2** using screws **D** into the pre-drilled holes.

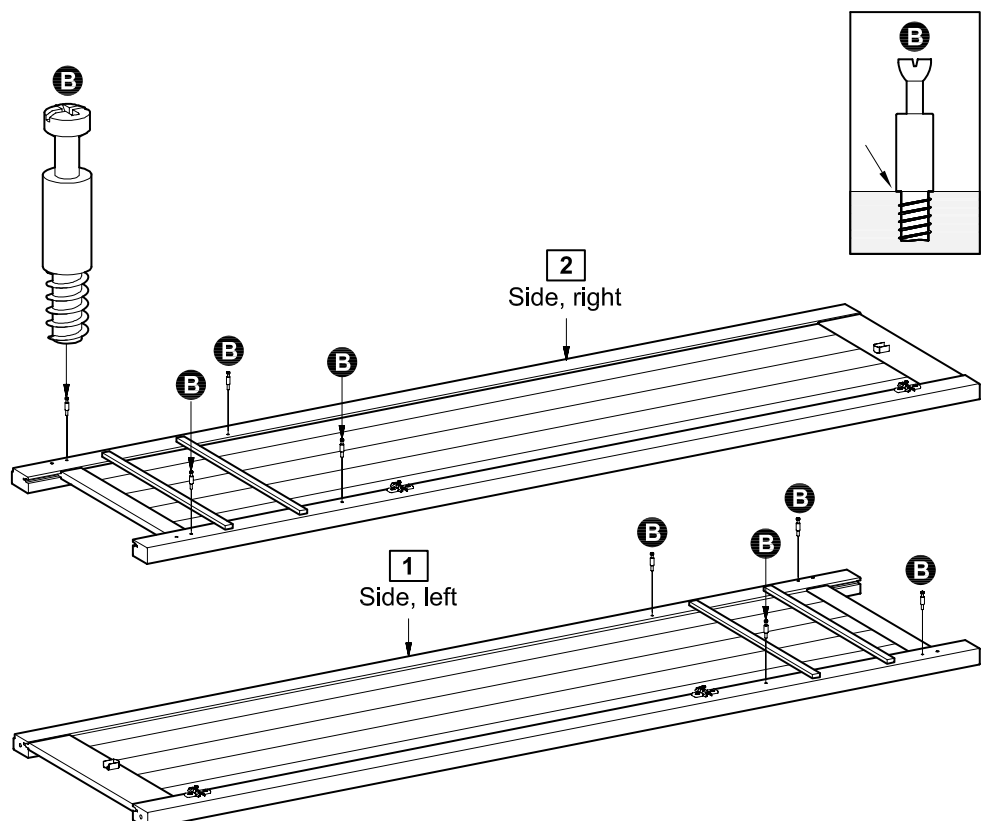


## Step 3

### Mounting the locking pins to the sides.

Screw the locking pins **B** into the holes indicated on the sides **1** and **2**.

**Note:** Insert locking pins **B** as far as shown. **Do not over tighten.**



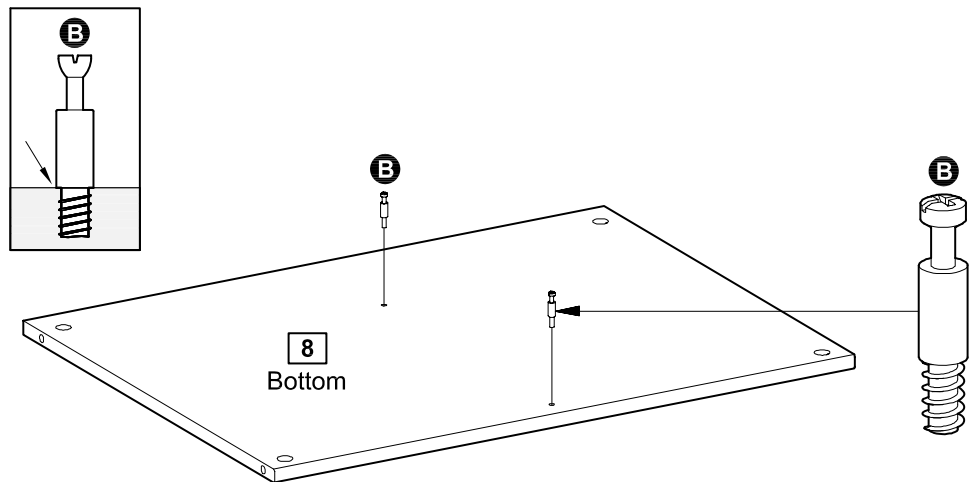
# Assembly Instructions

## Step 4

### Mounting the locking pins to the bottom.

Screw the locking pins **B** into the holes indicated on the bottom **8**.

**Note:** Insert locking pins **B** as far as shown. **Do not over tighten.**



## Step 5

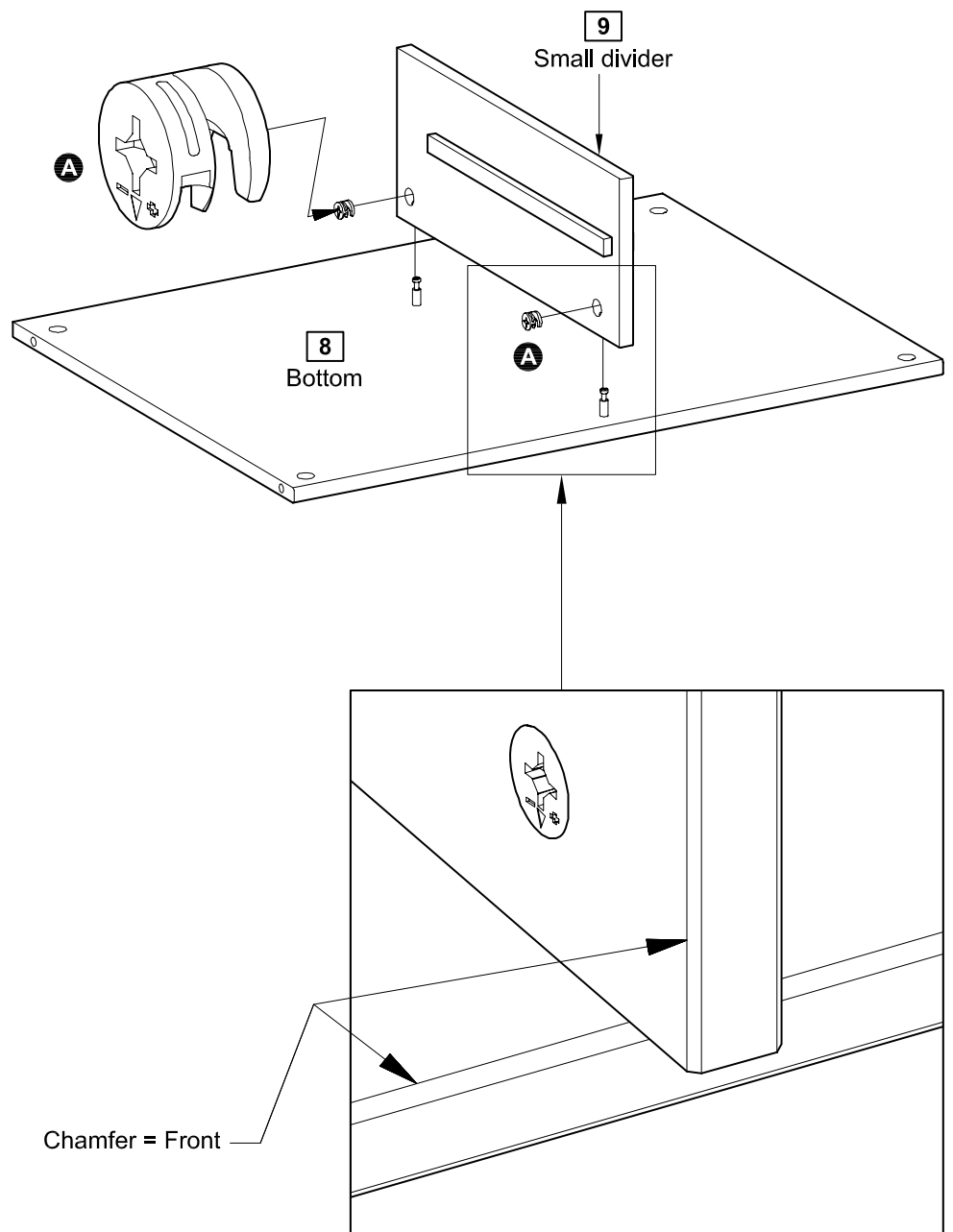
### Assembling the small divider to the bottom.

Press the small divider **9** onto the bottom **8**.

See page 4 "Function of cam and locking pin".

Place the cams **A** into the holes indicated, arrows pointing towards the side / locking pin.

To tighten cams: Turn to the right using a screwdriver.



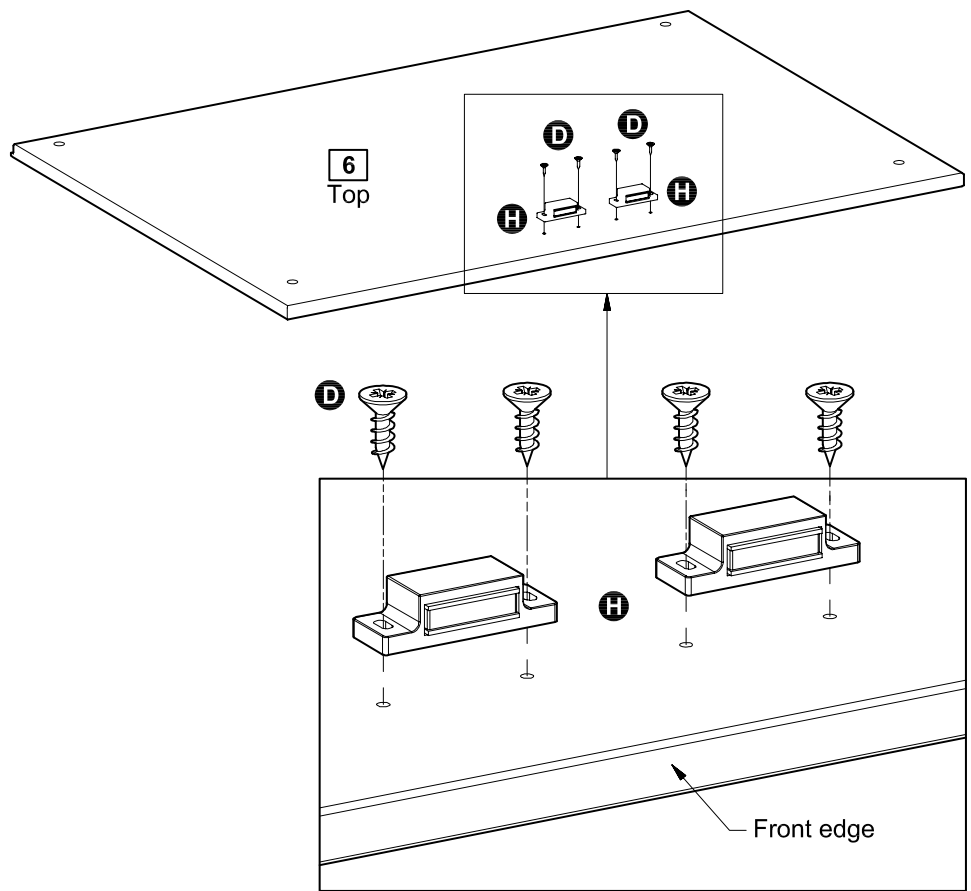
# Assembly Instructions

## Step 6

### Mounting the magnets to the top.

Fix the magnets **H** to the top **6** using screws **D** into the pre-drilled holes.

It is important that the magnetic part points towards the front edge of the top.



## Step 7

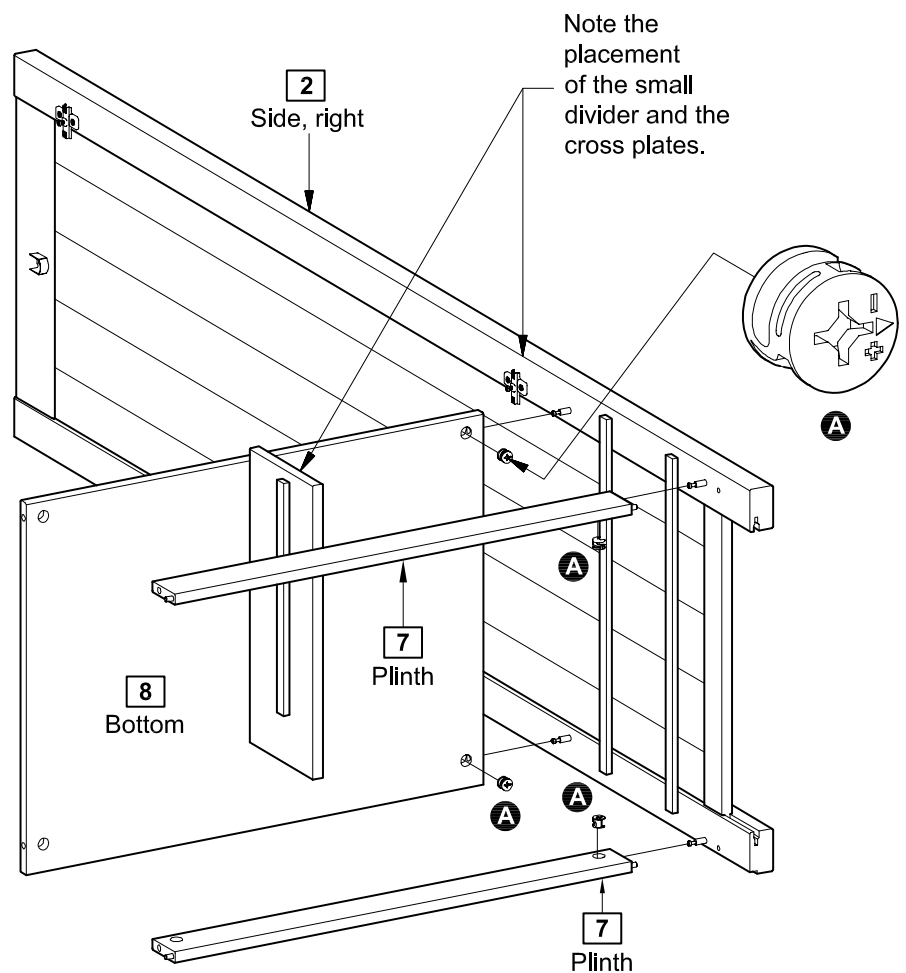
### Assembling the bottom and the plinths to the side.

Fit the bottom **8** and the plinths **7** onto the right hand side **2**.

See page 4 "Function of cam and locking pin".

Place the cams **A** into the holes indicated, arrows pointing towards the side / locking pin.

To tighten cams: Turn to the right using a screwdriver.



# Assembly Instructions

## Step 8

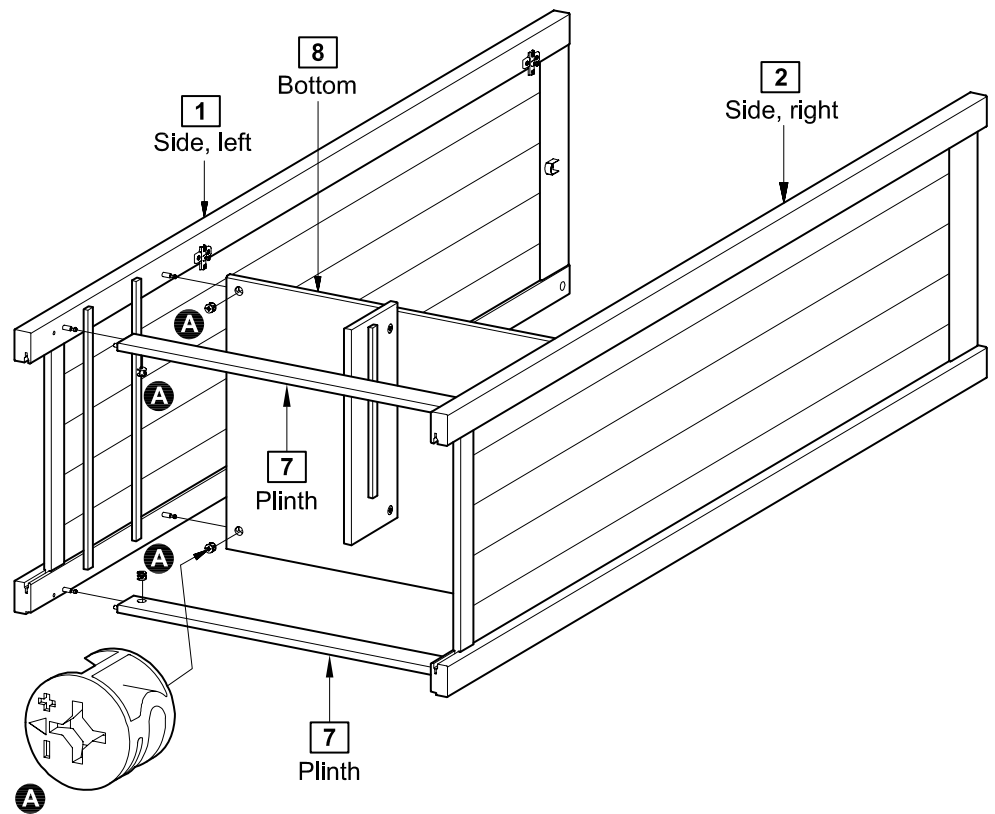
### Assembling the left hand side to the carcass.

Fit the left hand side **1** onto the bottom **8** and the plinths **7**.

See page 4 "Function of cam and locking pin".

Place the cams **A** into the holes indicated, arrows pointing towards the side / locking pin.

To tighten cams: Turn to the right using a screwdriver.

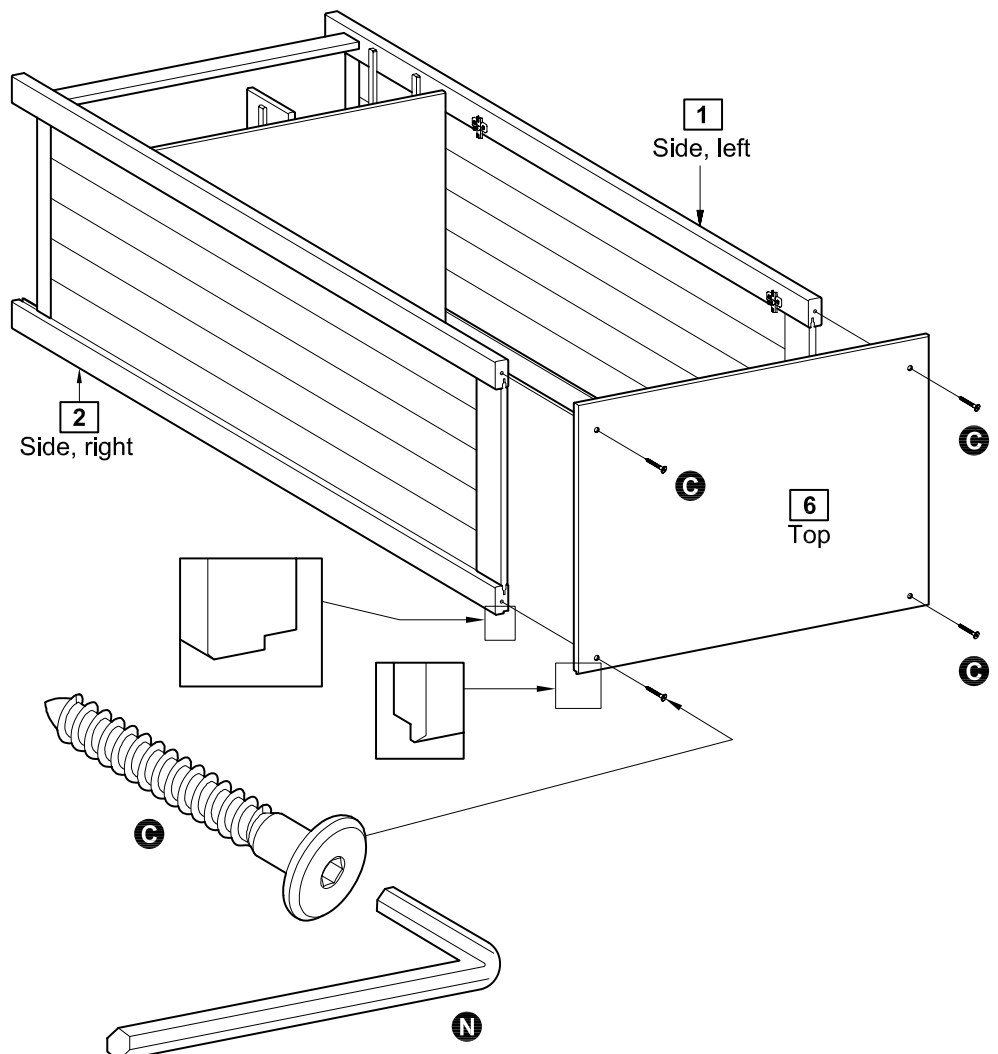


## Step 9

### Mounting the top onto the sides and divider.

Press the top **6** onto the sides **1** and **2**.

Fix the top using screws **C** and allen key **N** through the holes indicated.



# Assembly Instructions

## Step 10

### Adding the back to the carcass.

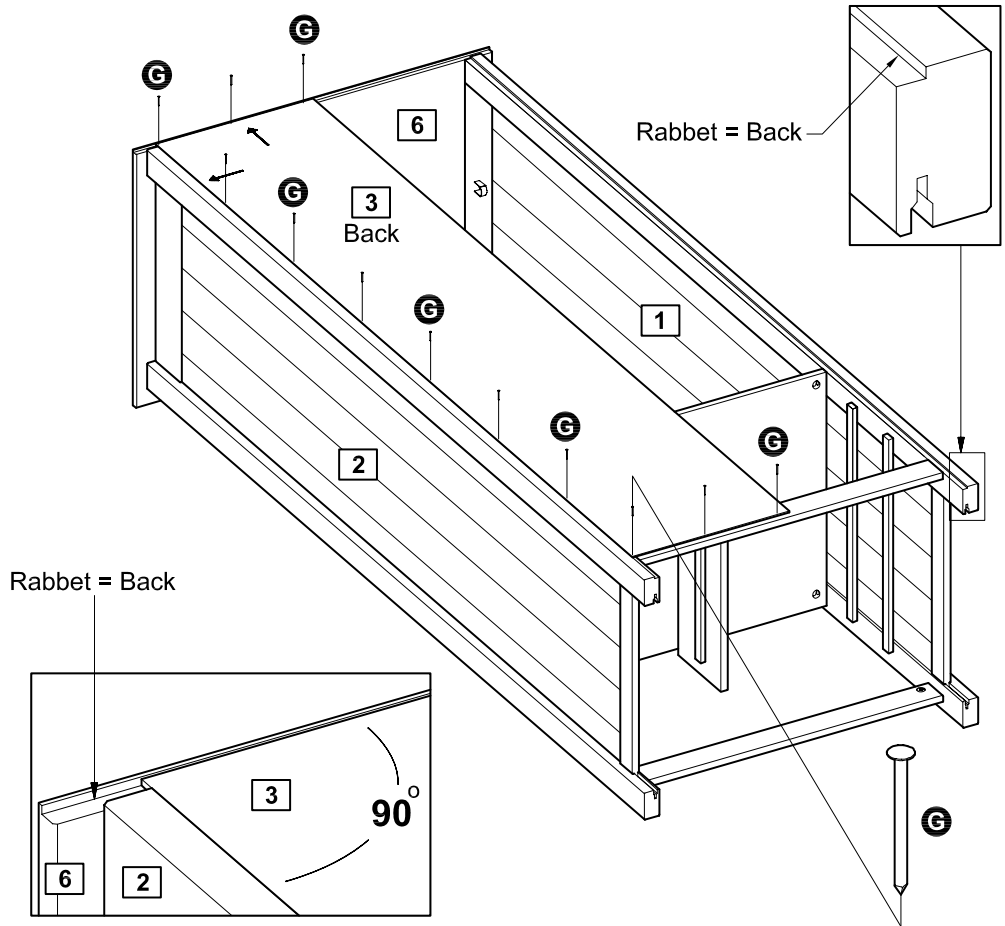
Place the back **3** into the rabbet of the top **6** and the side **2**.

Ensure that there is no gap between the side back, nor between the top and the back.

Fasten the back with nails **G** along the top.

The angle between the top and the side must be 90 degrees.

To accomplish this, ensure that there is no gap between the side & the back.



## Step 11

### Adding the back & the joining strip to the carcass.

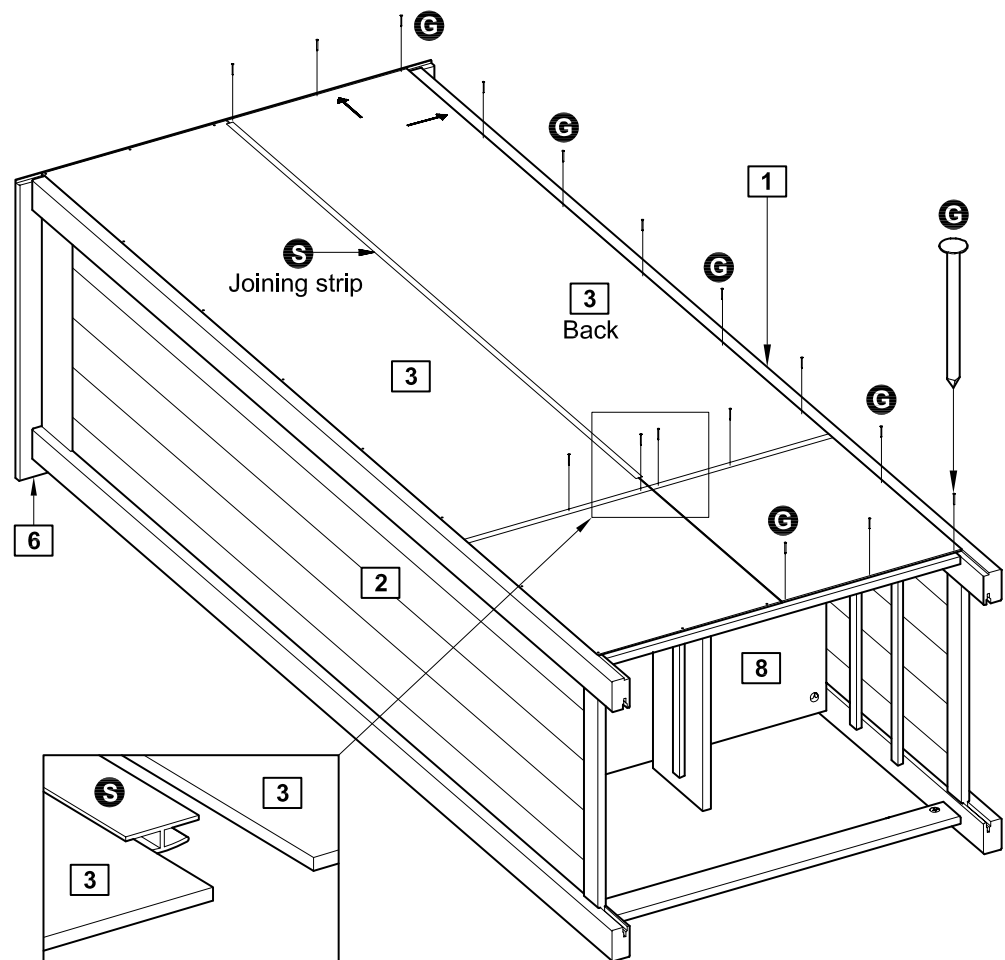
Place the joining strip **S** onto the back.

Place the back **3** into the rabbet of the top **6** and the side **1**.

Ensure that there is no gap between the side & back, nor between the top and the back.

Fasten the back with nails **G** along the side and bottom.

Fix the back onto the bottom **8** using nails **G**.



# Assembly Instructions

## Step 12

### Drawer assembly.

**a:** Fix the drawer sides **12** and **13** to the large drawer backs **14** using screws **F**.

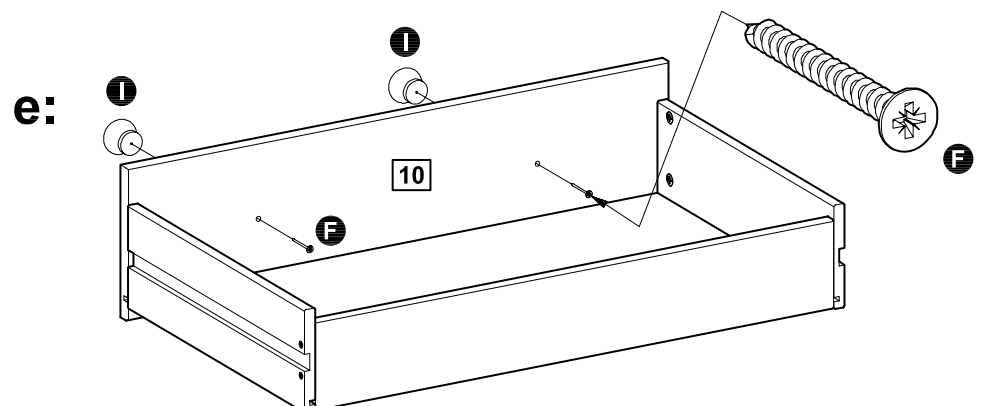
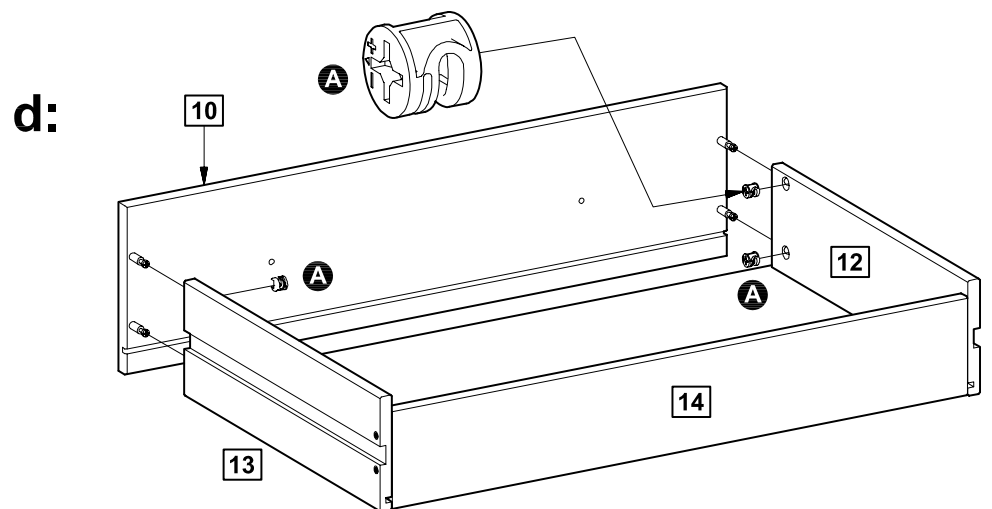
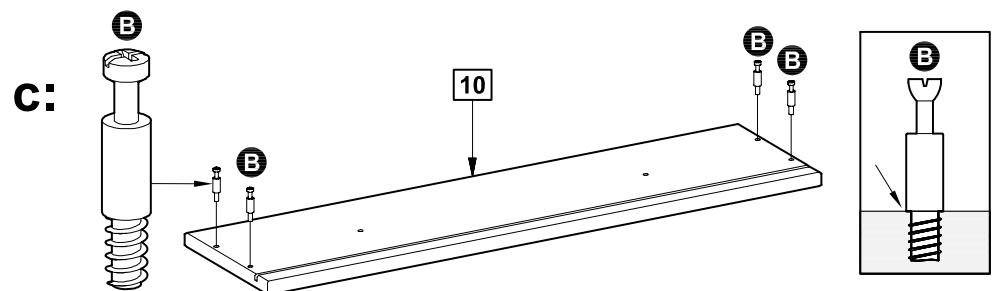
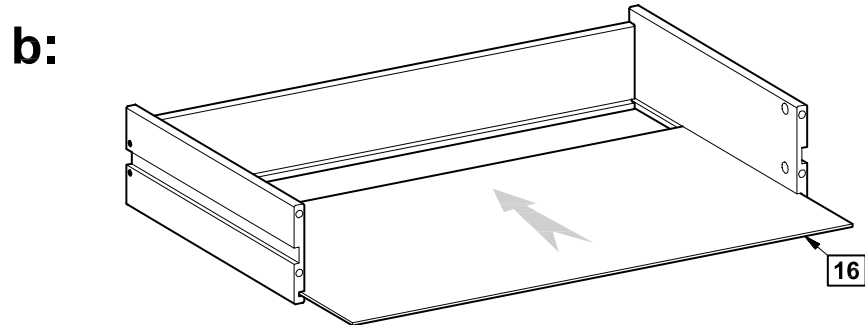
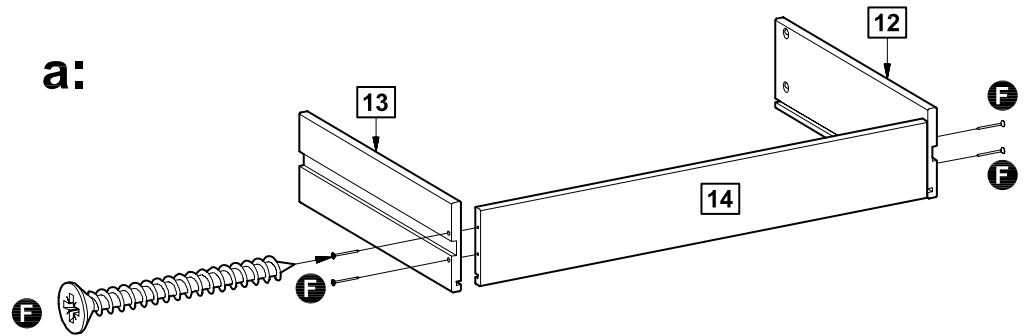
**b:** Slide the drawer bottom **16** into the grooves of the drawer frame.

**c:** Screw the locking pins **B** into the holes indicated on the large drawer fronts **10**.

**Note:** Insert locking pins **B** as far as shown. **Do not over tighten.**

**d:** Press the large drawer front **10** onto the drawer sides **12** and **13**. Place the cams **A** into the holes indicated, arrows pointing towards the drawer front / locking pins. To tighten cams: Turn to the right using a screwdriver. "Function of cam and locking pin" see page 4.

**e:** Fix the knobs **I** to the small drawer front **10** using screws **F**.





# Assembly Instructions

## Step 13

### Drawer assembly.

**a:** Fix the drawer sides **12** and **13** to the small drawer backs **15** using screws **F**.

**b:** Slide the drawer bottom **17** into the grooves of the drawer frame.

**c:** Screw the locking pins **B** into the holes indicated on the small drawer fronts **11**.

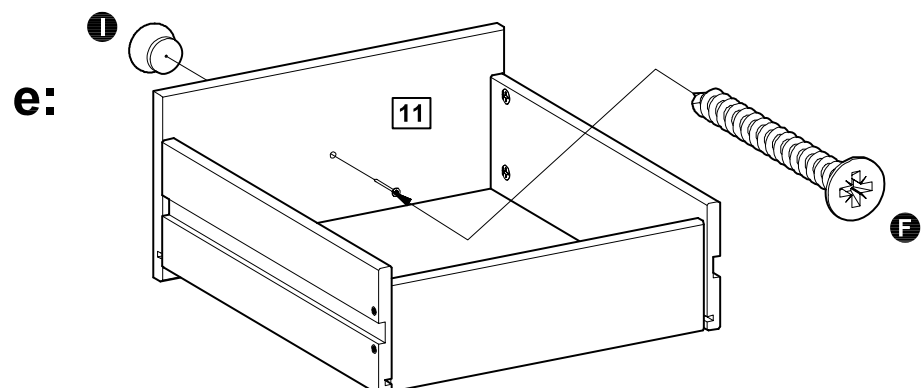
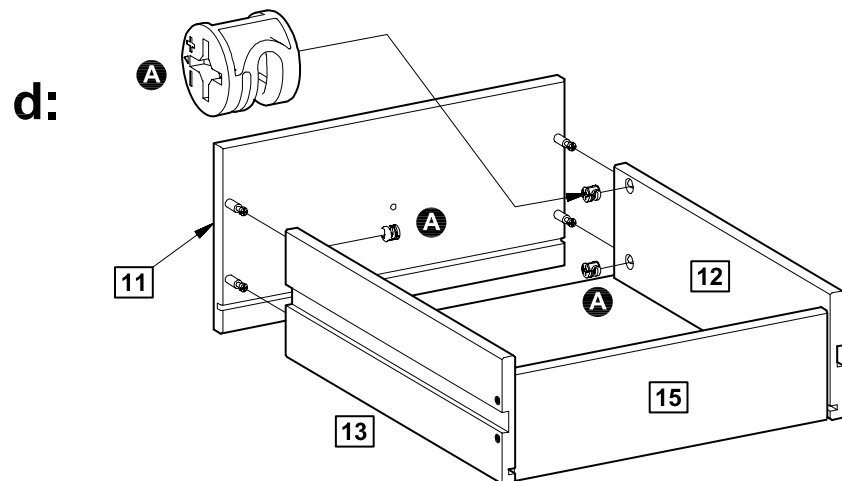
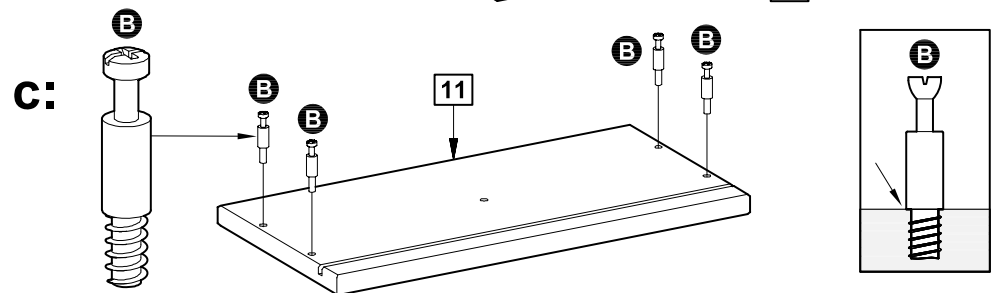
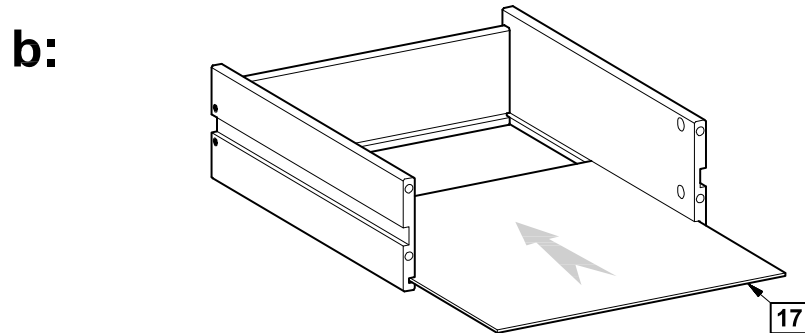
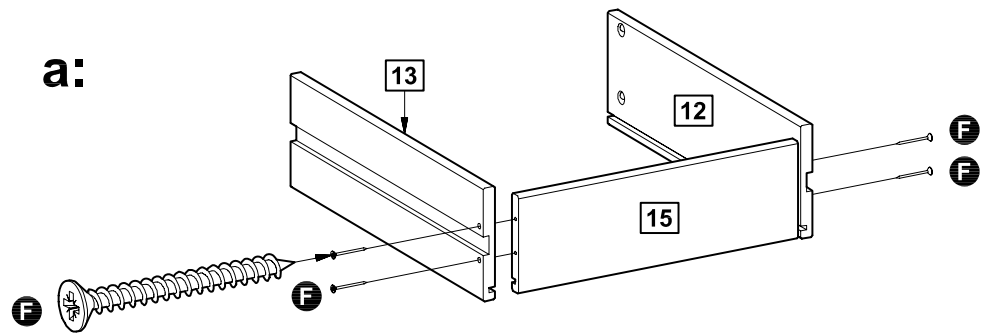
**Note:** Insert locking pins **B** as far as shown. **Do not over tighten.**

**d:** Press the drawer front **11** onto the drawer sides **12** and **13**. Place the cams **A** into the holes indicated, arrows pointing towards the drawer front / locking pins.

To tighten cams: Turn to the right using a screwdriver.  
"Function of cam and locking pin" see page 4.

**e:** Fix the knobs **I** to the small drawer front **11** using screws **F**.

Repeat with remaining drawers.



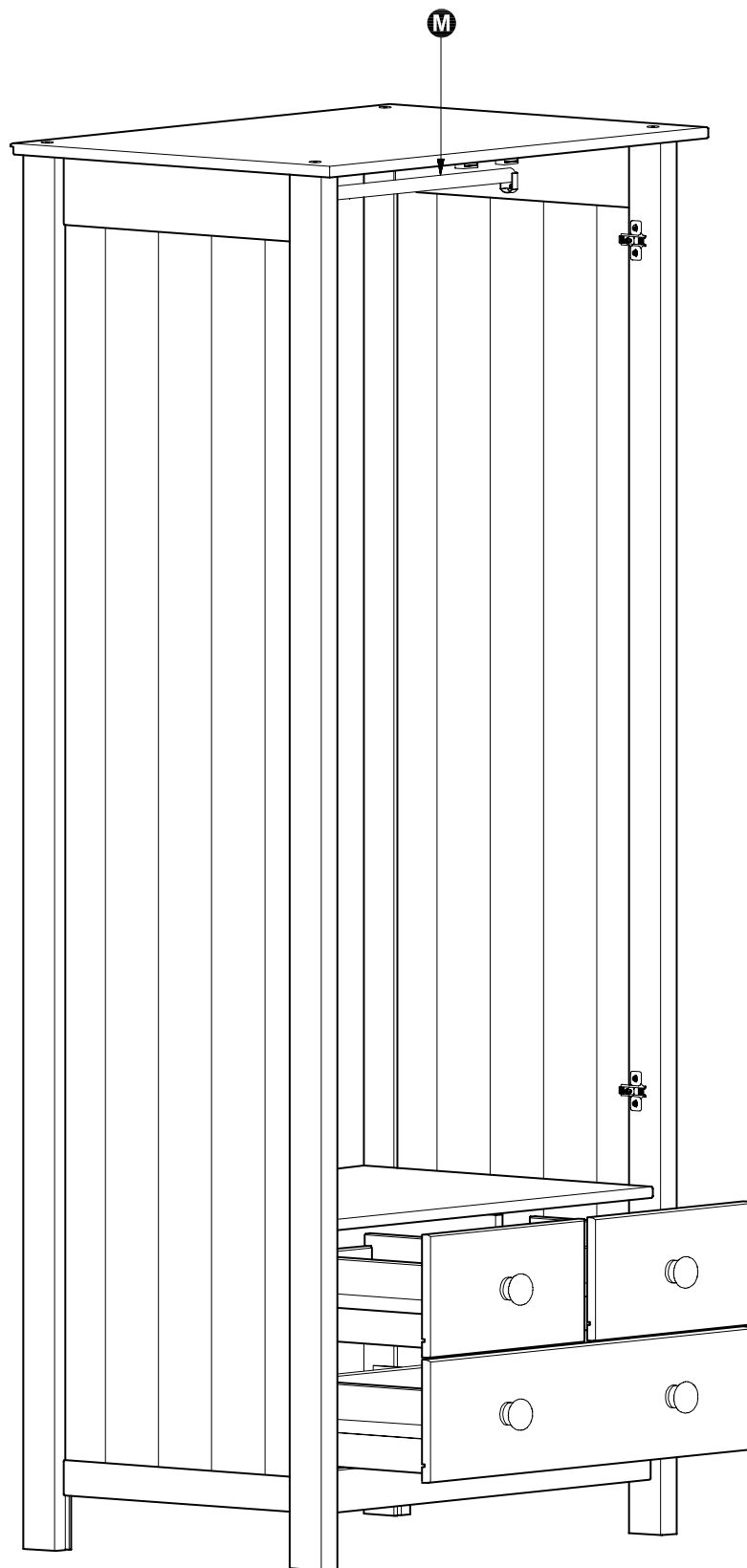
# Assembly Instructions

## Step 14

**Adding the drawers and the hanging rail to the carcass.**

Slide the drawer onto the drawer runners.

Lower the hanging rail **M** into the hanging rail cups.



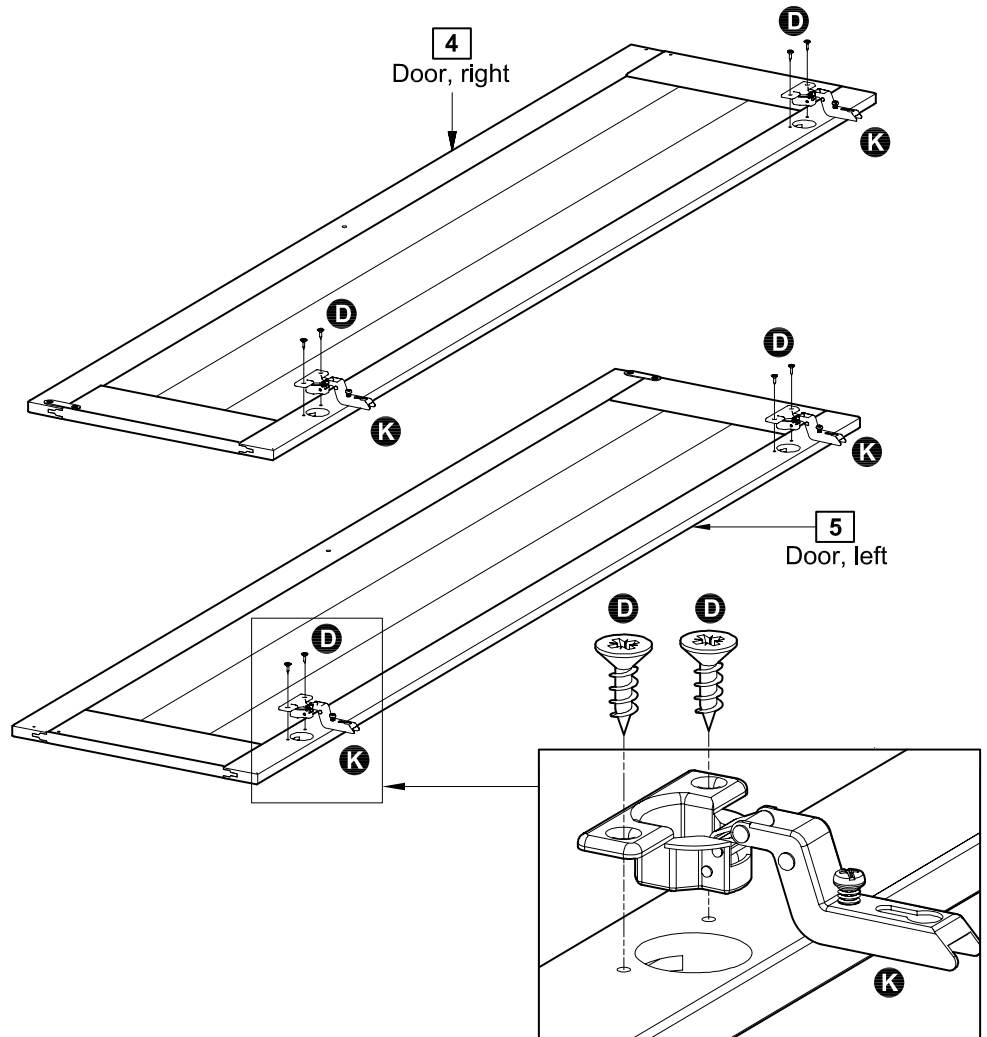
# Assembly Instructions

## Step 15

### Mounting the cup hinges to the doors.

Lower the cup hinges **K** into the holes indicated on the doors **4** and **5**.

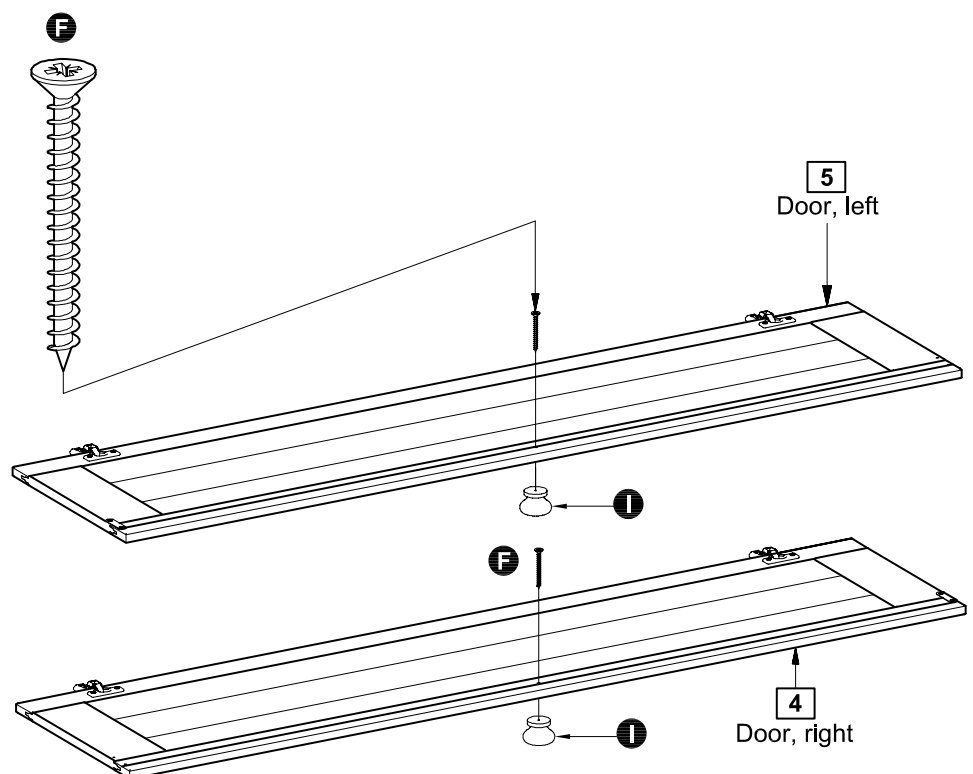
Fix the hinges using screws **D** into the holes indicated.



## Step 16

### Mounting the knobs to the doors.

Fasten the knobs **L** to the doors **4** and **5**, using screws **F**.



# Assembly Instructions

## Step 17

### Mounting the doors to the carcass.

When placing the doors, the magnetic catch plates must be at the top of the doors.

**a:** Place the adjustment hole of the cup hinge at the level of the fixing screw. Push the cup hinge towards the cross plate - placing the fixing screw in the wider part of the adjustment hole.

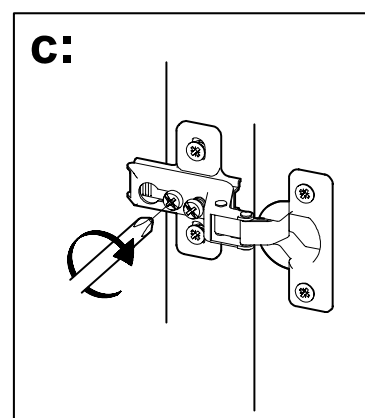
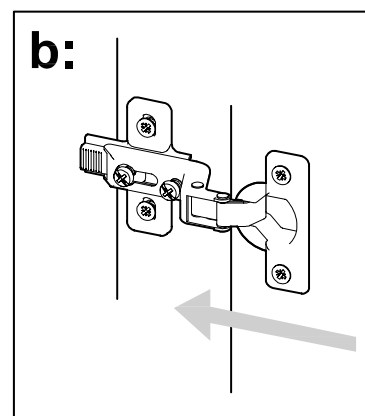
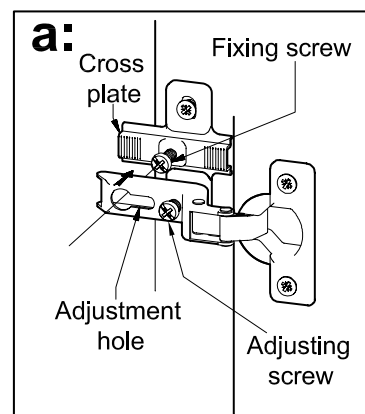
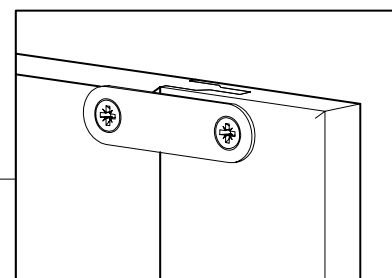
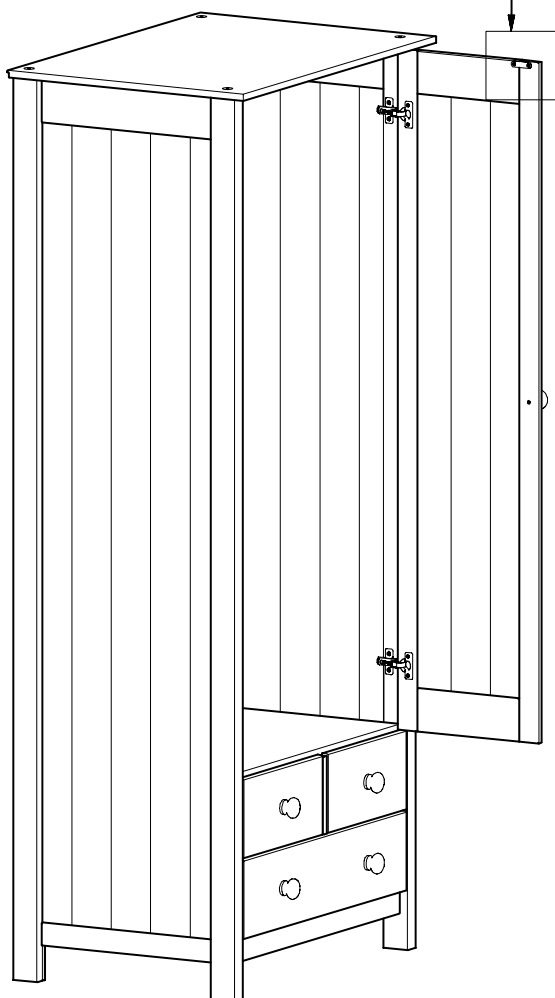


**Important:** Ensure you catch all three of the fixing screws.

**b:** Push the door / cup hinge inwards - placing the fixing screw in the narrow end of the adjustment hole.

**c:** Tighten the fixing screws of all three of the cross plates.

Lower the hanging rail **M** into the hanging rail cups **J**.

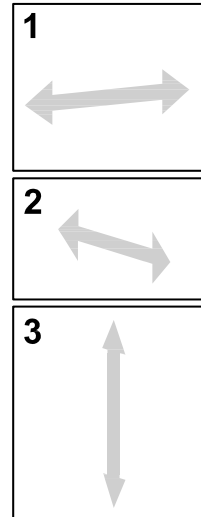
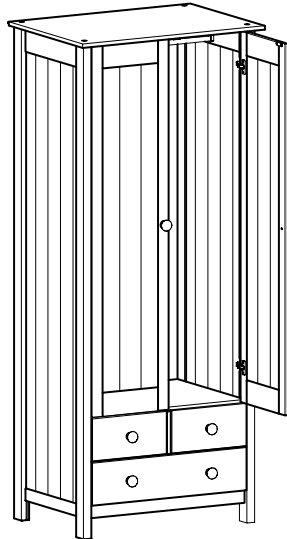


# Assembly Instructions

## Step 18

### Adjusting the doors.

Make sure the wardrobe is placed on a level surface before you begin to adjust the hinges.



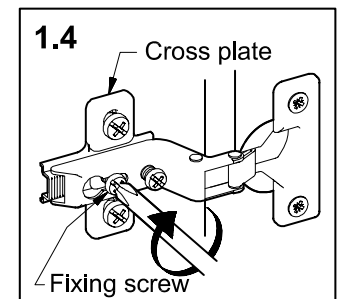
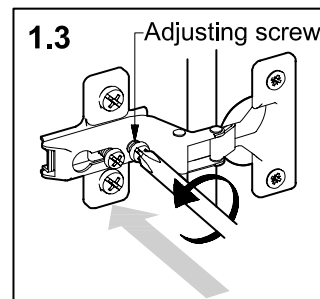
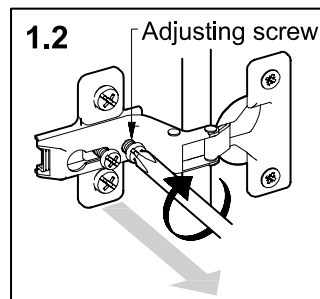
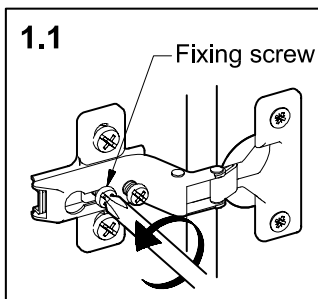
### Right or left:

Loosen the fixing screw.

To adjust the door towards the lefthand side - turn the adjusting screw to the right.

To adjust the door towards the right hand side - turn the adjusting screw to the left.

Continue adjustment - see 2 - or tighten the fixing screw of the cross plates

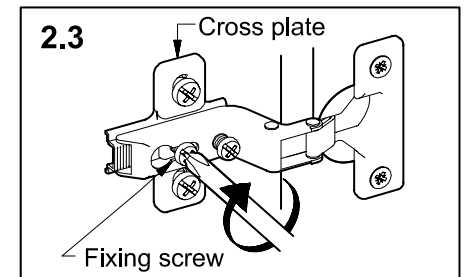
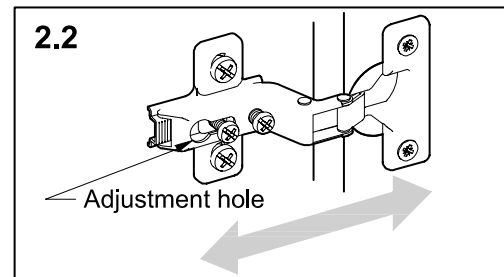
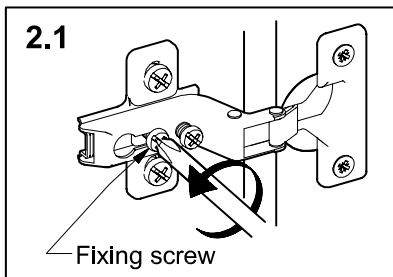


### Forwards or backwards:

Loosen the fixing screw.

Push the cup hinges / the door back or forth to adjust. The door should level with the front edge of the sides.

Tighten the fixing screws of all the cross plates.

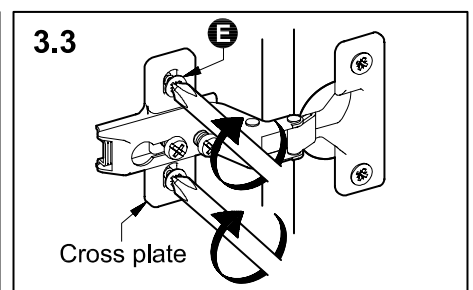
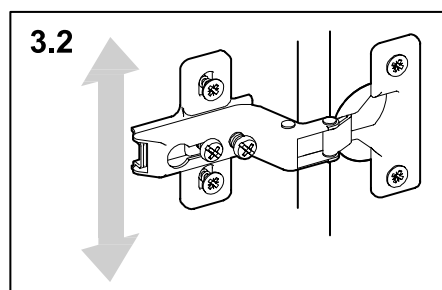
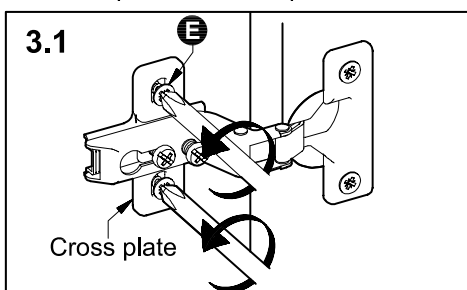


### Up or down:

Loosen the two screws **E** of each cross plate, but only as much as it will allow the cross plate to move up and down.

Adjust the cross plate / door.

Tighten the screws **E** of all the cross plates.



# Assembly Instructions

## Step 19

### Fixing to wall.

It is recommended that the wardrobe is fixed to a wall.

Fix wall straps **P** to top of wardrobe using screws **D**.

With help, move wardrobe into position.



**Warning:**  
The wardrobe is heavy.  
**Lift with care.**

Mark fixing holes on wall and remove wardrobe.

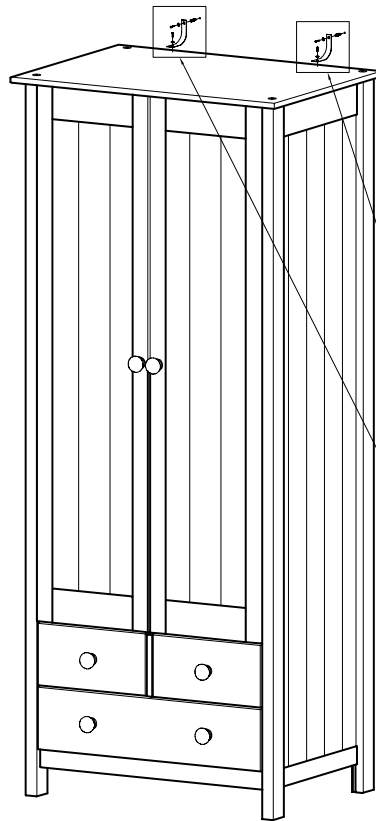
Drill 7mm hole and insert wall plugs **Q**.



**Warning:**  
Before drilling, check wall for hidden pipes and cables.

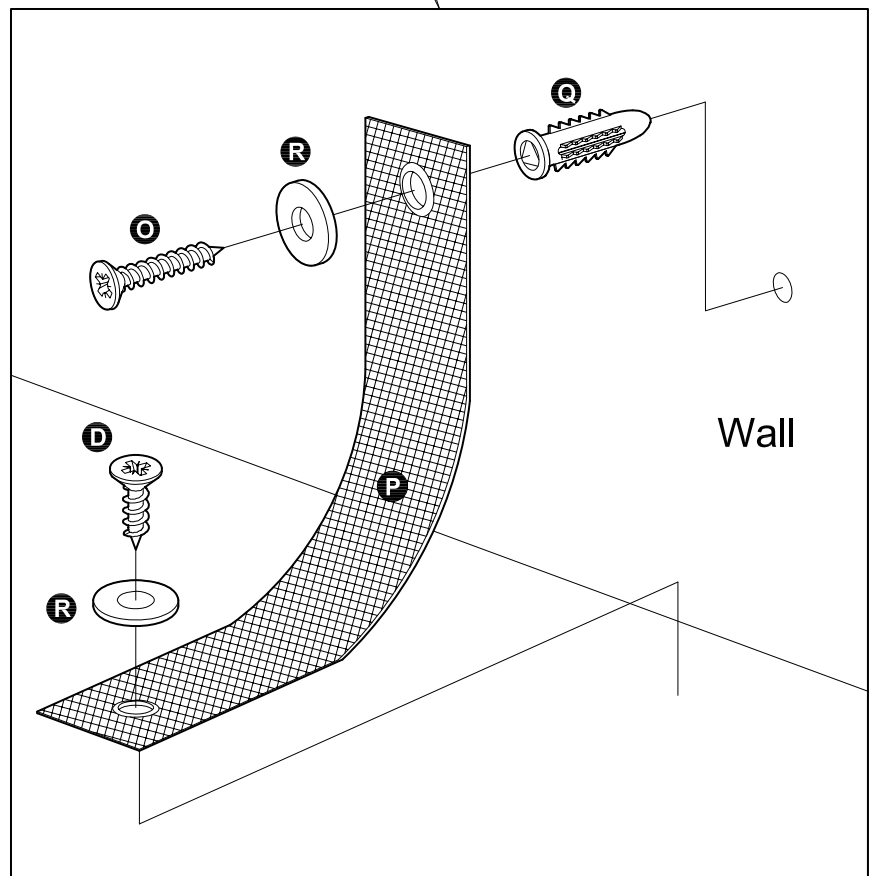
Reposition wardrobe and fix wall straps using screws **D**.

**Assembly is complete.**



**Note:** Wall plugs supplied are for solid walls only.

The correct type of fixing must be used for your wall, seek professional advice if in doubt.



If you need help or have damaged or missing parts, call the Customer Helpline: 08456 400800

# A Guide to - Wall Mounting & Fixings

## Important note:

If plastic wall plugs are supplied with your product:




- these are only suitable for use in masonry walls. If you are in any doubt about the correct wall plugs for your wall, seek professional advice. Failure of the product due to using incorrect fixings is the responsibility of the installer.



**Important:** When drilling into walls always check that there are no hidden wires or pipe etc

Make sure that the screws and wall plugs being used are suitable for supporting your unit. Consult a qualified tradesperson if you are unsure.

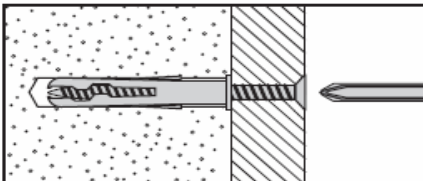
### Hints:

- 1: **General rule:**  Always use a larger screw and wall plug if you are not sure.
- 2: Ensure you use the recommended drill bit to match the wall plug and hole size..
- 3: Ensure you drill the hole horizontally, do not force the drill or enlarge the hole.
- 4: Take extra care when drilling high walls, ceilings and ceramic tiles. Ensure wall plugs are inserted beyond the thickness of the ceramic tiles to avoid the tiles splitting or cracking.
- 5: Ensure wall plugs are well fitted and are a tight fit in the drilled hole.

## Types of walls

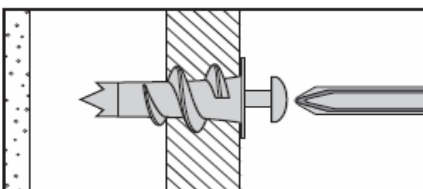
You can use one of the following types of wall plug if your walls are made of brick, breeze block, concrete, stone or wood.

### No 1 "General Purpose" wall plug



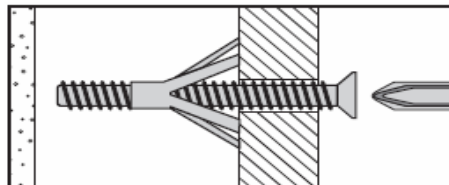
Generally aerated blocks should not be used to support heavy loads, use a specialist fitting in this case. For light loads, general purpose wall plugs can be used.

### No 2 "Plasterboard" wall plug



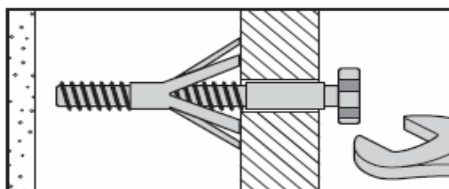
For use when attaching light loads on to plasterboard partitions.

### No 3 "Cavity Fixing" wall plug



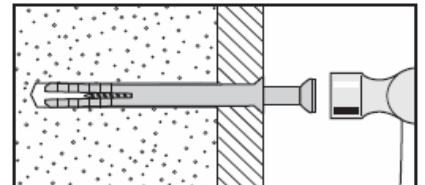
For use with plasterboard partitions or hollow wooden doors.

### No 4 "Cavity Fixing - Heavy duty" wall plug



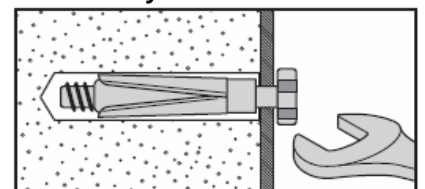
For use when fitting or supporting heavy loads such as shelving, wall cabinets and coat racks.

### No 5 "Hammer Fixing" wall plug



For use with walls stuck with plasterboard. The hammer fixing allows it to be fixed to the wall rather than the plasterboard. Always check the fixing is secure to the retaining wall.

### No 6 "Shield Anchor" wall plug Heavy Loads



For use with heavier loads such as TV & HiFi speakers and satellite dishes etc



## Care & Maintenance

**Safety:** Always check the fitting and location to ensure your safety in and around the home.

**Fitting:** From time to time check the fitting to ensure the wall plugs or screws do not become loose.

## Dear Customer.

**Please note that the product you have purchased is a natural living timber.**

**Just like nature itself, wood varies in shape and colour. Knots, vein patterns, resin pockets and colour differences contribute to giving the piece of furniture its beauty and form - a natural part of solid wood.**

**Although the tree has been cut down and dried, it is still alive and therefore will react to high and low temperatures, light, humidity, drought and time.**

**In cold and dry periods, the wood contracts which may lead to small cracks in the piece of furniture. The reverse happens in warm and humid periods where the wood expands and this may result in slight unevenness.**

**The colour of the wood also changes with time, particularly if the furniture is placed in a light place. This is a natural process and part of owning a piece of furniture made of solid wood.**

**Any flexing that has occurred during transport will re-correct itself once this product is correctly assembled.**

**Tighten all joints of the furniture after six months.**

**Please keep these instructions in a safe place for future use.**