

# Hamlin - 4 Drawers Chest

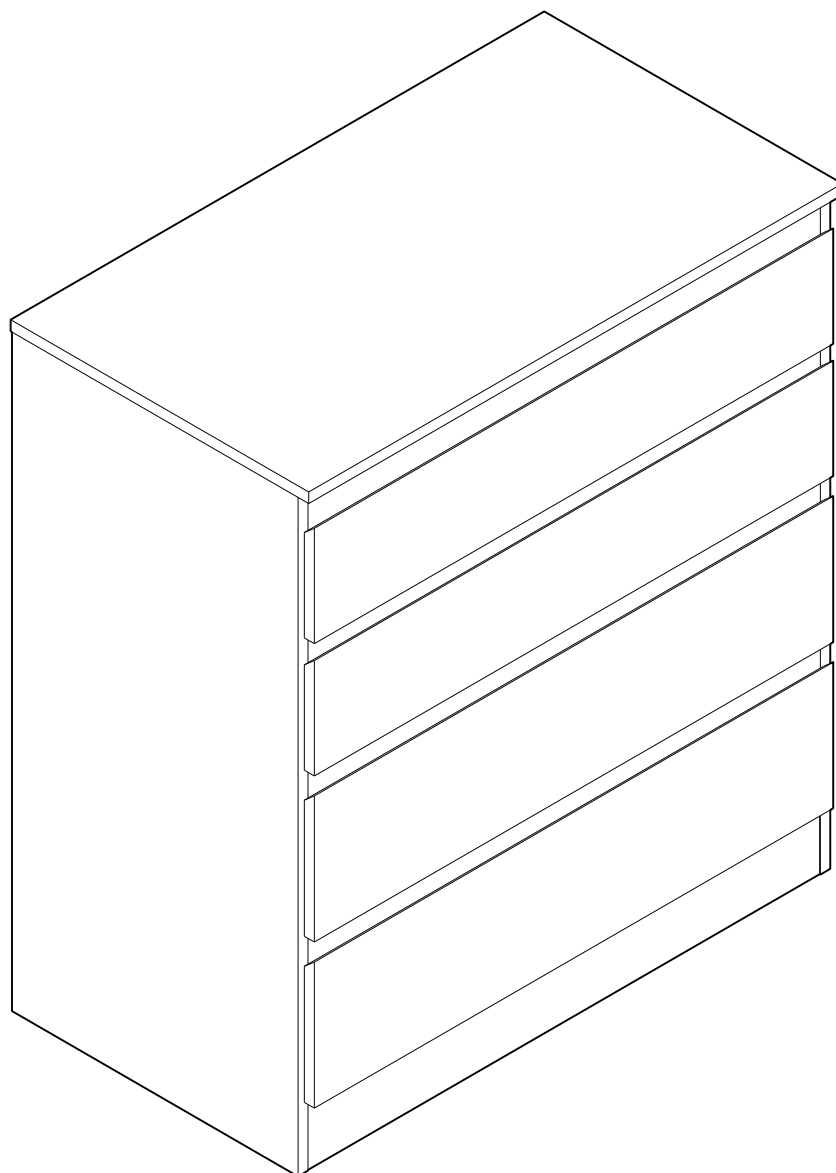
**Assembly Instructions** - Please keep for future reference

152/6909

144/9691

**hygena**

152/5687



## **Dimensions**

**Width - 80,2cm**

**Depth - 44,8cm**

**Height - 90cm**

**Important – Please read these instructions fully before starting assembly**

If you need help or have damaged or missing parts, call the **Customer Helpline: 08456 400 800**



# Safety and Care Advice

**Important** – Please read these instructions fully before starting assembly

- Check you have all the components and tools listed on pages 2 and 3.
- Remove all fittings from the plastic bags and separate them into their groups.
- Keep children and animals away from the work area, small parts could choke if swallowed.
- Make sure you have enough space to layout the parts before starting.

- Do not stand or put weight on the product, this could cause damage.
- Assemble the item as close to its final position (in the same room) as possible.
- Assemble on a soft level surface to avoid damaging the unit or your floor.



• We do not recommend the use of power drill/drivers **for inserting screws**, as this could damage the unit. Only use hand screwdrivers.

- Parts of the assembly will be easier with 2 people.
- Dispose of all packaging carefully and responsibly.

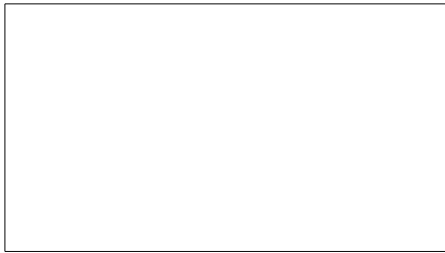
## Care and maintenance

- Avoid placing the furniture in direct sunlight as this will cause the timber to prematurely age.
- Use a dry cloth to clean the product, furniture polish is not recommended.
- From time to time check that there are no loose screws on this unit.
- This product should not be discarded with household waste. Take to your local authority waste disposal centre.

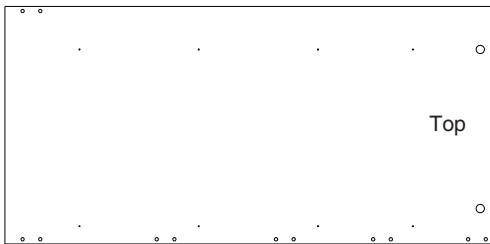
**Note:** If required the next page can be cut out and used as reference throughout the assembly. Keep this page with these instructions for future reference.

# Components - Panels

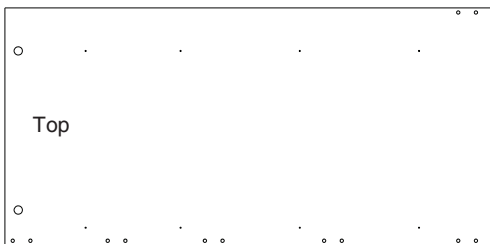
Please check you have all the panels listed below



**1** Top panel (80.2 x 44.8cm)



**2** Right side panel (88.5 x 43cm)



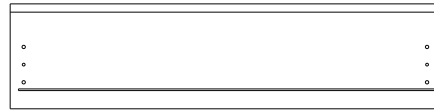
**3** Left side panel (88.5 x 43cm)



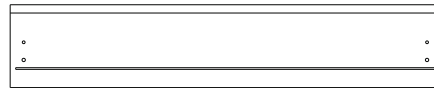
**4** Back panel x 2 (79 x 41cm)



**5** Drawer bottom x 4 (72.9 x 39.8cm)



**6** Large drawer front x 2 (78 x 19cm)



**7** Small drawer front x 2 (78 x 15cm)



**8** Large drawer back x 2 (71.6 x 12cm)



**9** Small drawer back x 2 (71.6 x 8cm)



**10** Large drawer right side x 2 (40 x 12cm)



**11** Large drawer left side x 2 (40 x 12cm)



**12** Small drawer right side x 2 (40 x 8cm)



**13** Small drawer left side x 2 (40 x 8cm)



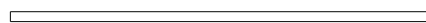
**14** Bottom frame (77 x 9.6cm)



**15** Unfinished bottom frame (77 x 9.6cm)



**16** Top front frame x 4 (77 x 6cm)



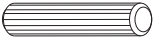
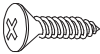
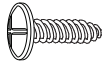
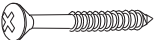
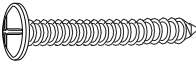
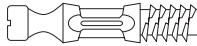


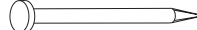
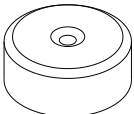
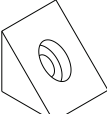
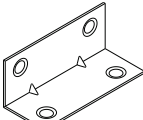
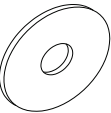
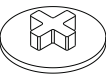

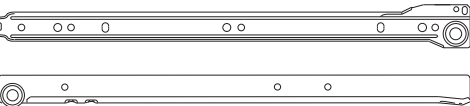
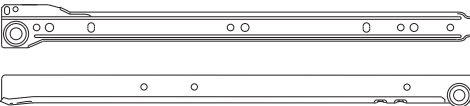
**17** H profile (77 x 1.8cm)

# Components - Fittings

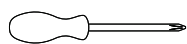
If you have damaged or missing components, call the **Customer Helpline: 08456 400 800**

Please check you have all the fittings listed below

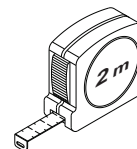
**Note:** The quantities below are the correct amount to complete the assembly. In some cases more fittings may be supplied than are required.

<b>A</b>  Wooden dowel x 52	<b>B</b>  14mm Screw x 64	<b>C</b>  16mm Screw x 1
<b>D</b>  20mm Screw x 16	<b>E</b>  40mm Screw x 8	<b>F</b>  Metal dowel x 12
<b>G</b>  Locking nut x 12	<b>H</b>  Nail x 40	<b>I</b>  Nail x 4
<b>J</b>  Plastic feet x 4	<b>K</b>  Plastic bracket x 16	<b>L</b>  L shaped bracket x 8
<b>M</b>  Washer x 2	<b>N</b>  Plastic cap x 12	<b>O</b>  Wall strap x 1
<b>P</b>  Right runner x 4 pair	<b>Q</b>  Left runner x 4 pair	

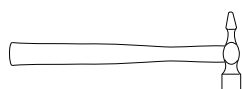
## Tools required



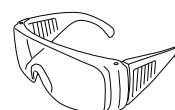
Phillips screwdriver  
(small & medium)



Ruler/tape  
measure

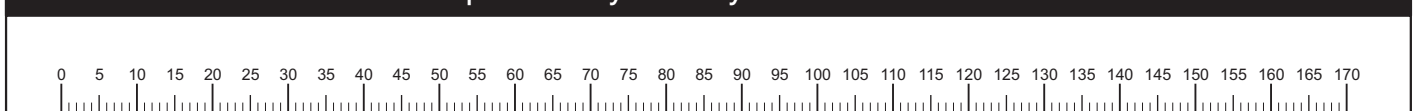


Small  
hammer



Eye protection  
(when using a  
hammer or glue)

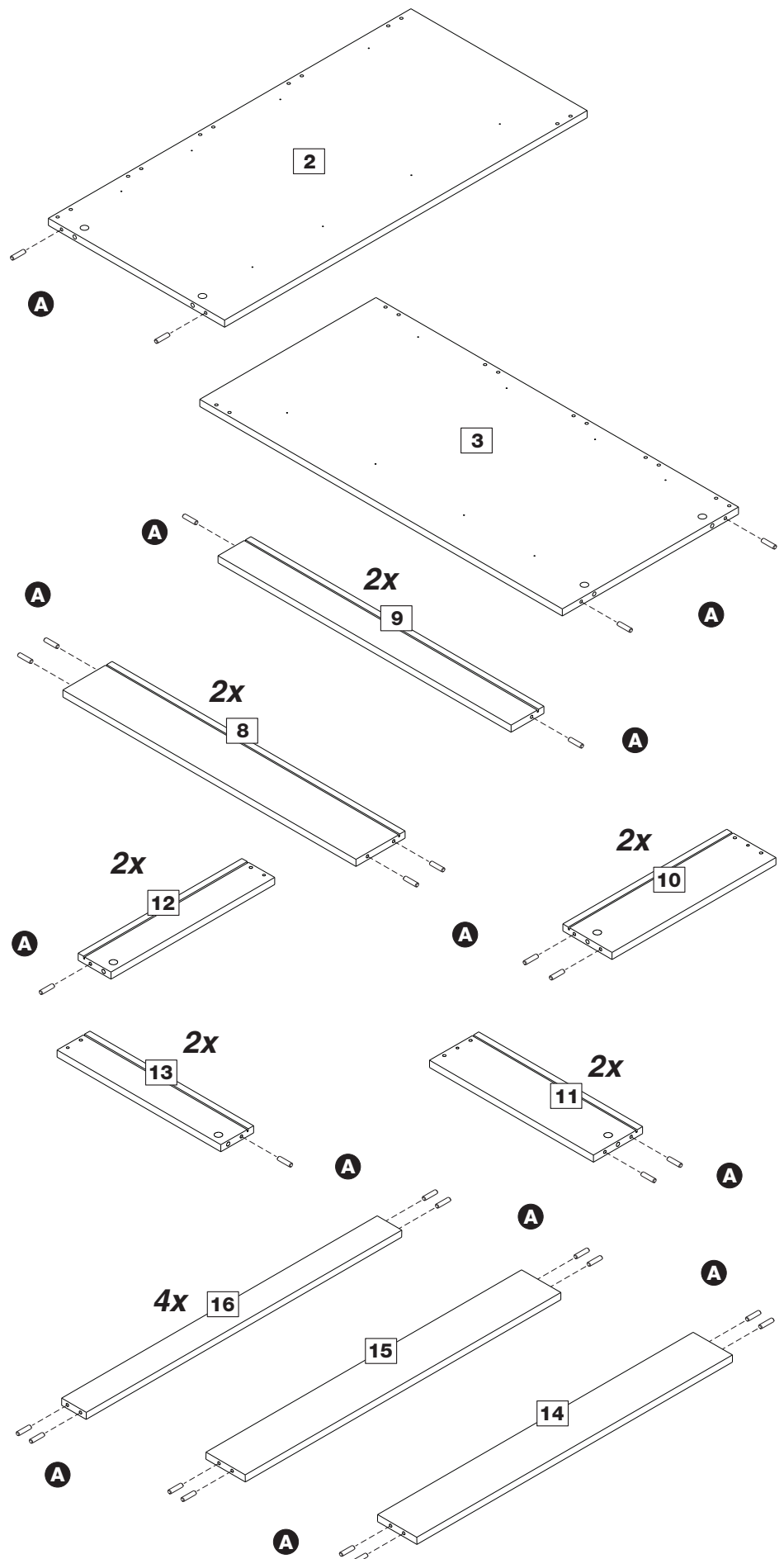
**Ruler** - Use this ruler to help correctly identify the screws



# Assembly Instructions

## Step 1

Insert dowels **A** into the indicated parts.



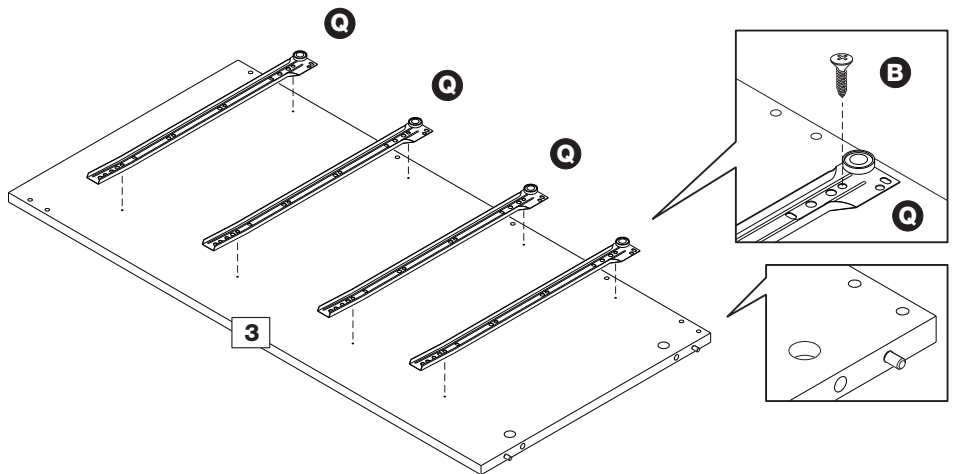
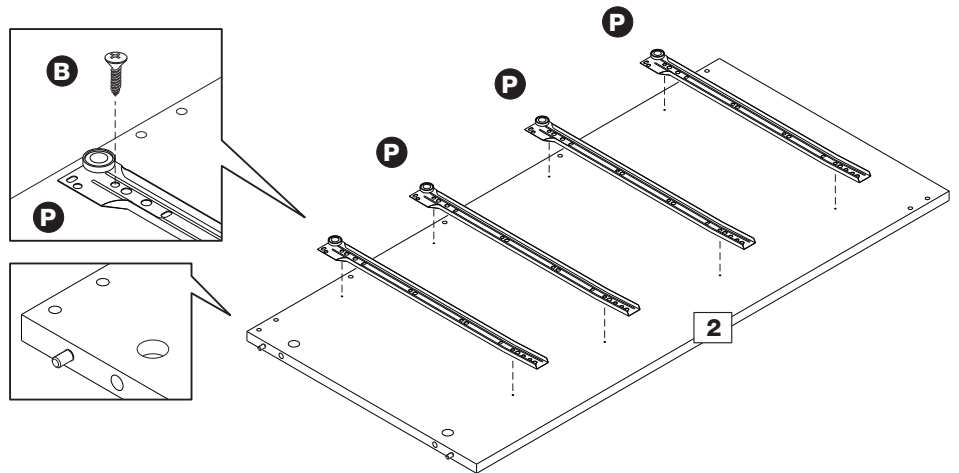
# Assembly Instructions

## Step 2

### Fixing runners.

Attach right runners **P** to the pre drilled holes on the right side panel **2** using screws **B**.


Attach left runners **Q** to the pre drilled holes on the left side panel **3** using screws **B**.



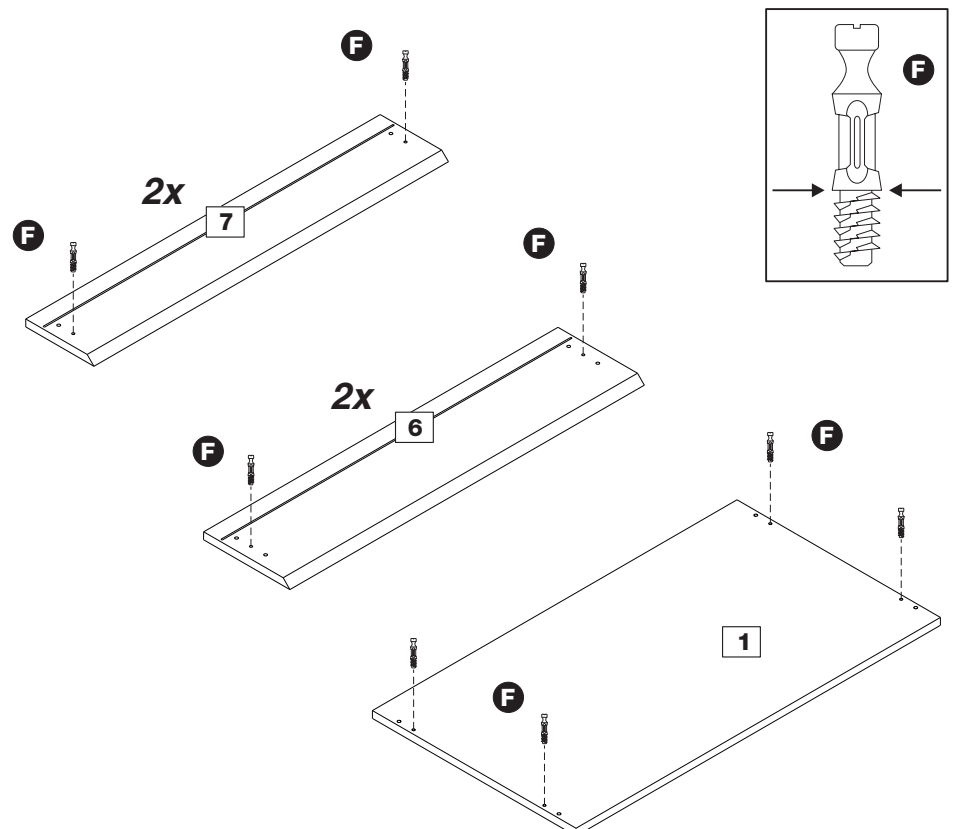
## Step 3

### Fitting Metal dowels.

Screw metal dowels **F** into top panel **1**, large drawer fronts **6** and small drawer front **7**.

 **Note:** Insert metal dowels as far as shown.

**Do not over tighten.**




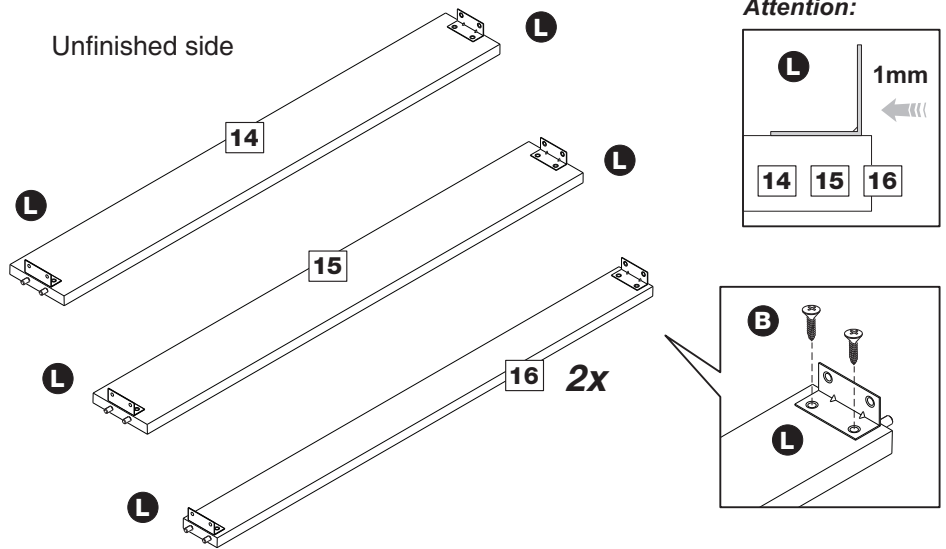
# Assembly Instructions

## Step 4

### Fixing L shaped brackets.

Fix L shaped brackets **L** in the bottom frames **14** and **15** and top front frames **16** using screws **B**, as shown.


 **Attention:** Leave **1mm** gap from the edge of the bars as shown. L shaped brackets must be fixed to the unfinished side in frames **14** and **16**.

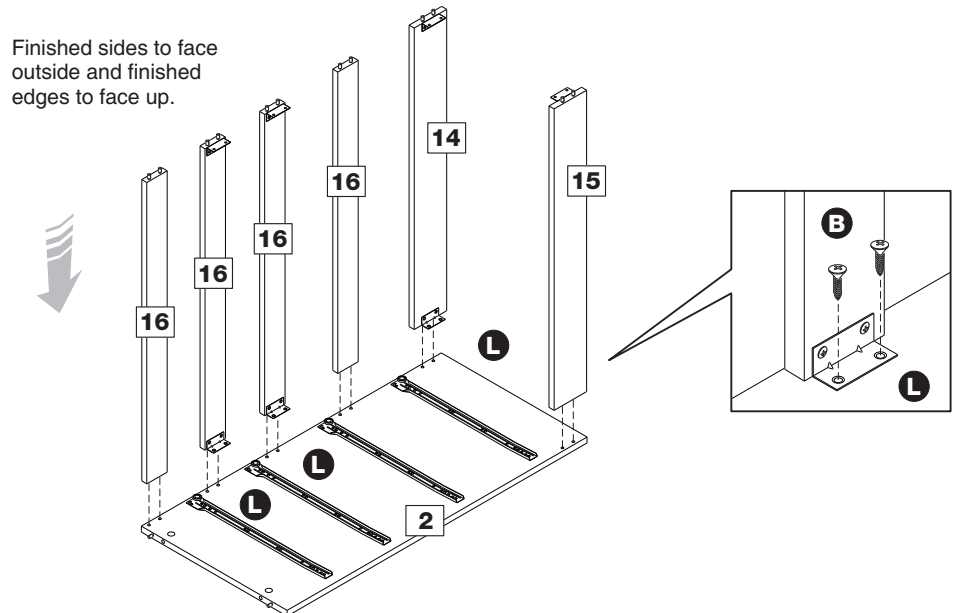


## Step 5

### Assembling frames.

Fit bottom frames **14** and **15** and top front frames **16** into holes on right side panel **2**, as shown. Then, fix frames in the right side panel through L shaped brackets **L** using screws **B**.

 Finished sides to face outside and finished edges to face up.

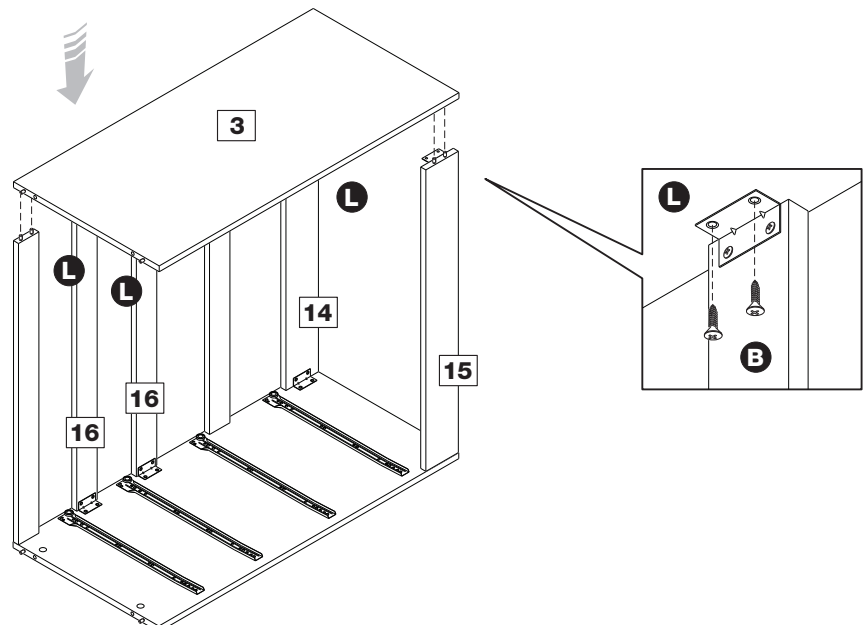


## Step 6

### Fixing left side panel.

Place left side panel **3** properly ensuring dowels and front frames are all fitted into their holes at the same time.

Fix bottom frames **14** and **15** and top front frames **16** in the left side panel **3** through L shaped brackets **L** using screws **B**, as shown.



# Assembly Instructions

## Step 7

### Fixing top panel.

With help, carefully stand the product upright.

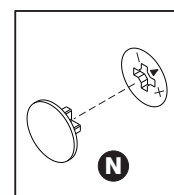
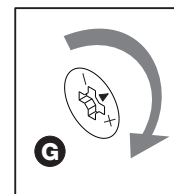
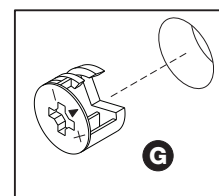
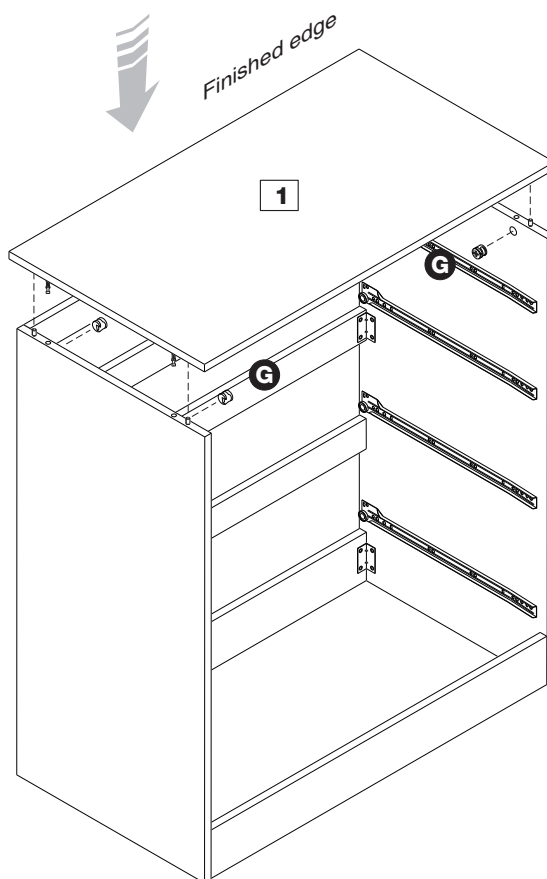
With help, fit top panel **1** to the cabinet.

Insert 4 locking nuts **G** into side panels where shown.

Use a screwdriver to turn locking nuts **G** clockwise to lock.

**Do not over tighten.**

After screwing locking nuts, insert plastic caps **N**.



## Step 8

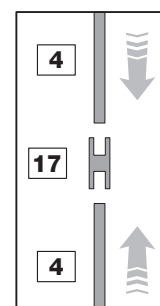
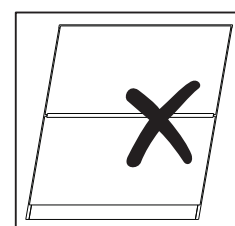
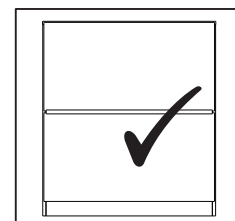
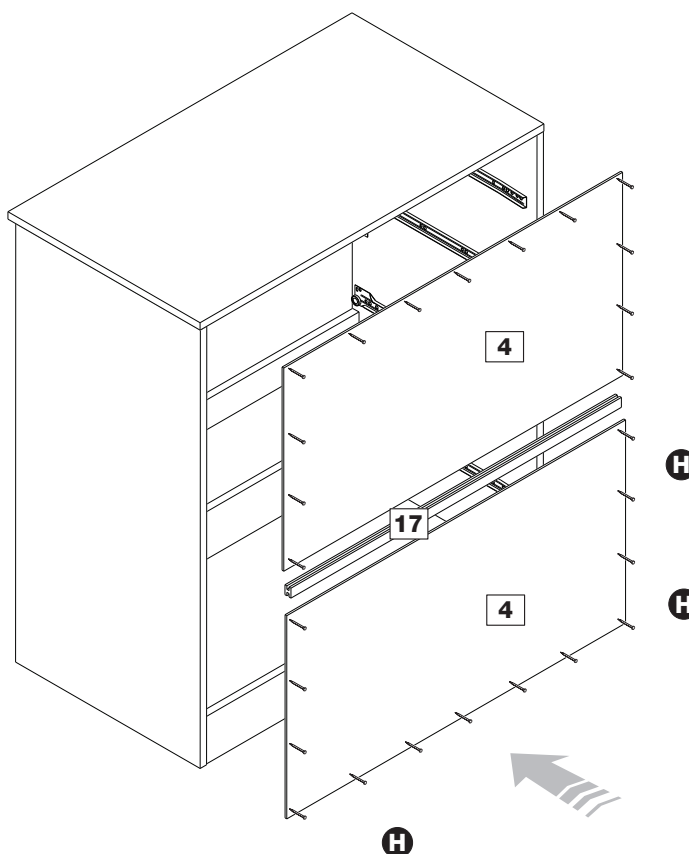
### Fixing back panels.

**!** **Important:** Cabinet **MUST** be 'square' when back panels are attached.

**a:** Attach top back panel **4** first using nails **H**.

**b:** Position profile **17** onto back panel (just attach).

**c:** Carefully slot the second back panel **4** into the profile and fix it to the cabinet using nails **H**.






# Assembly Instructions

## Step 9

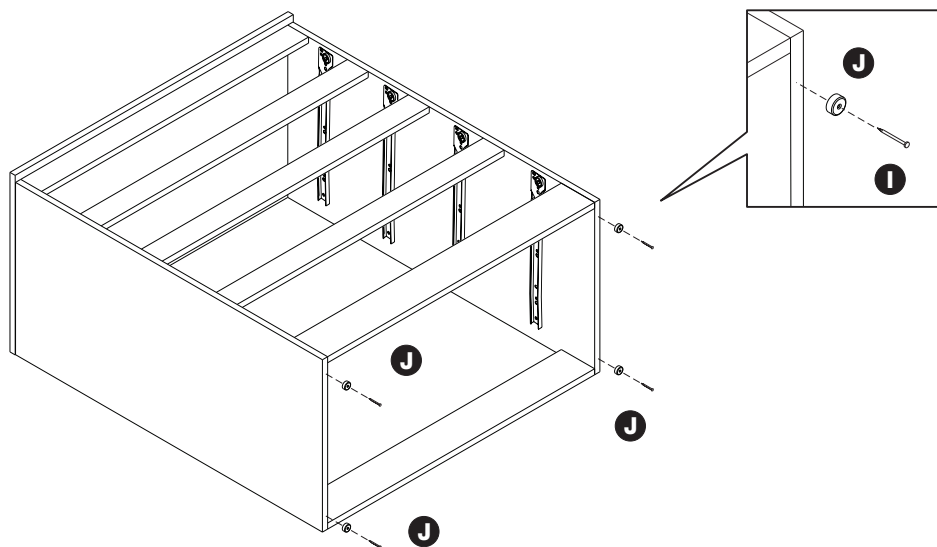
### Attach plastic feet.

With help, carefully lay down the product.

Attach plastic feet **J** in the bottom edge of the right and left side panels using nails **I**.

 Make sure nails are fully nailed.

After attach plastic feet, with help, carefully stand the product upright.



## Step 10

### Large drawer assembly.

**a:** Fix large drawer sides **10** and **11** to the large drawer back **8** using screws **E**.

**b:** Slide drawer bottom **5** into slots on drawer sides.

**c:** With help, fit large drawer front **6** to the drawer sides.

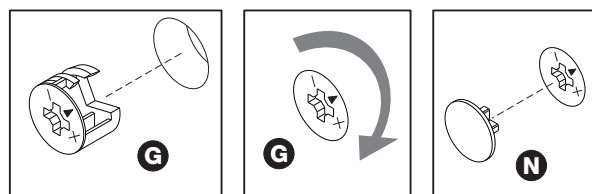
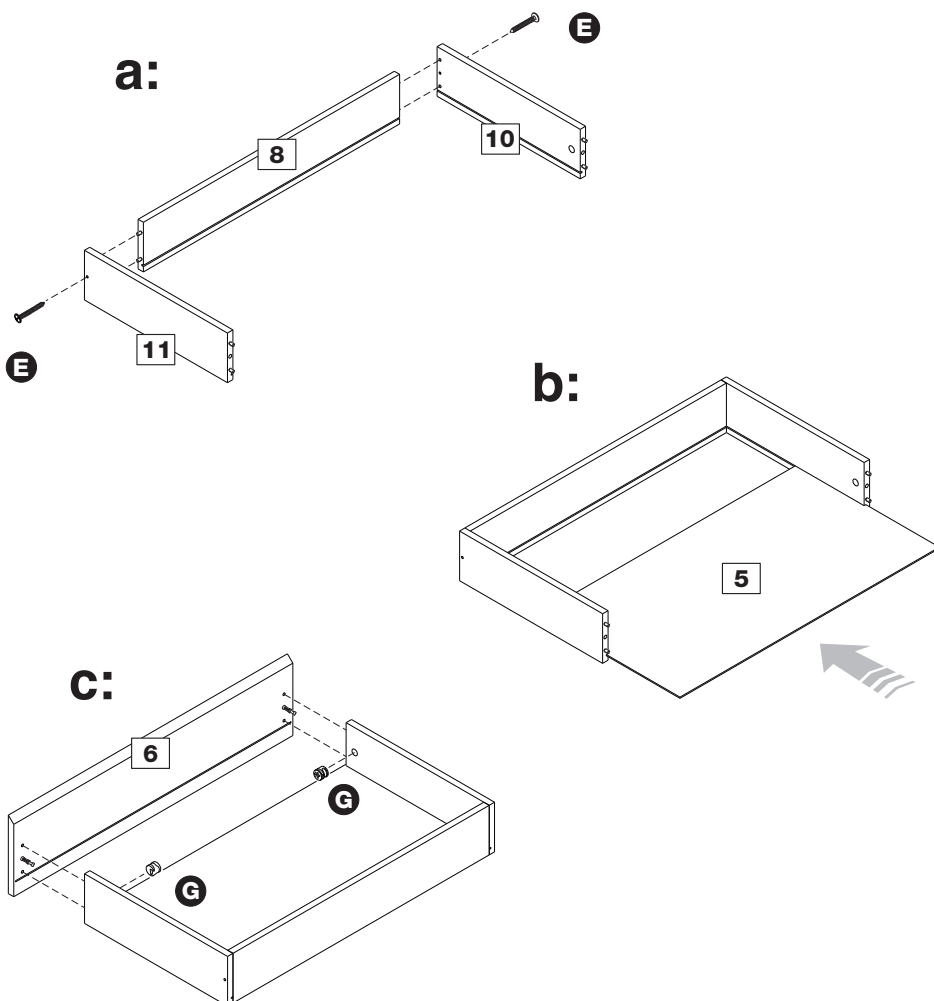
Insert 2 locking nuts **G** into drawer sides where shown.

Use a screwdriver to turn locking nuts **G** clockwise to lock.

### Do not over tighten.

After screwing locking nuts, insert plastic caps **N**.

Repeat step 10 for the other large drawer.



# Assembly Instructions

## Step 11

### Small drawer assembly.

**a:** Fix small drawer sides **12** and **13** to the small drawer back **9** using screws **E**.

**b:** Slide drawer bottom **5** into slots on drawer sides.

**c:** With help, fit small drawer front **7** to the drawer sides.

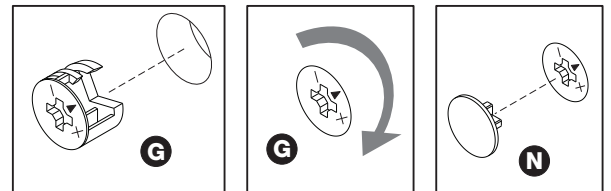
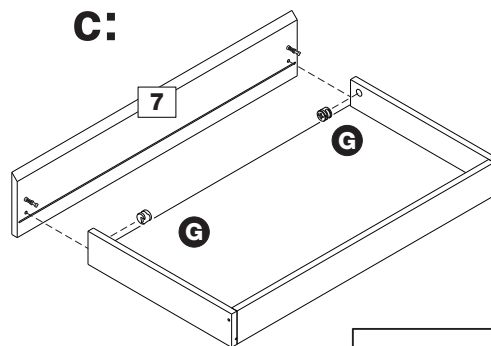
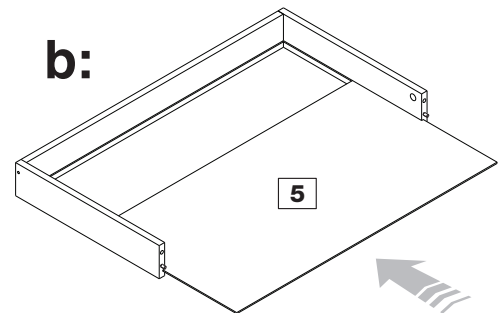
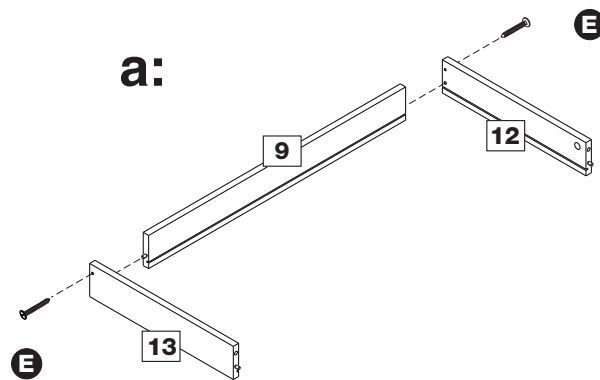
Insert 2 locking nuts **G** into drawer sides where shown.

Use a screwdriver to turn locking nuts **G** clockwise to lock.

**Do not over tighten.**

After screwing locking nuts, insert plastic caps **N**.

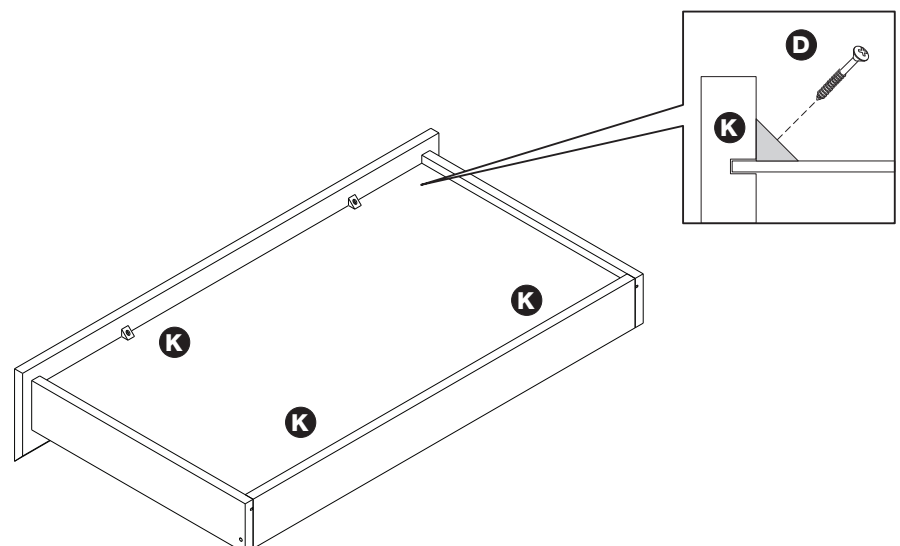
Repeat step 11 for the other small drawer.



## Step 12

### Attach plastic bracket.

Attach plastic bracket **K** in the bottom of the large and small drawers using screws **D**.



# Assembly Instructions

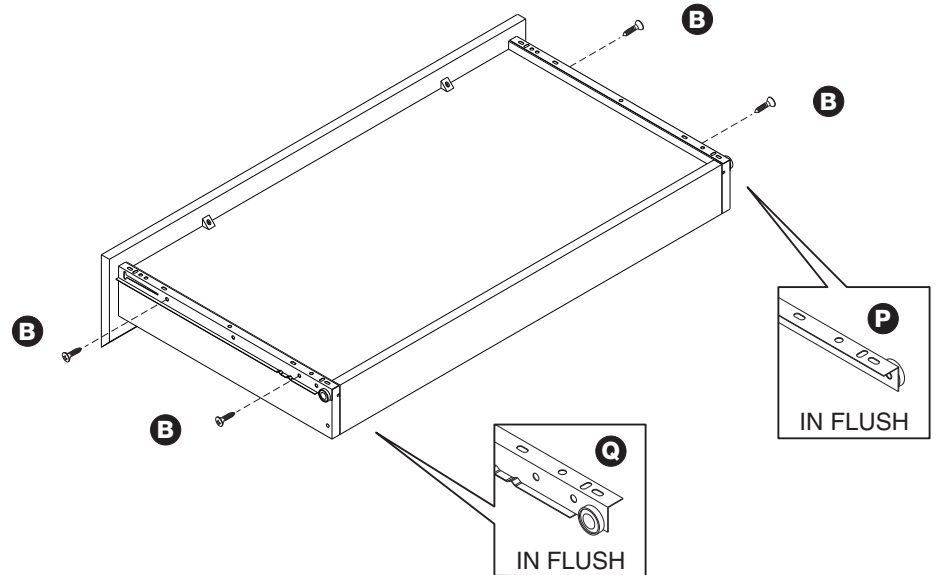
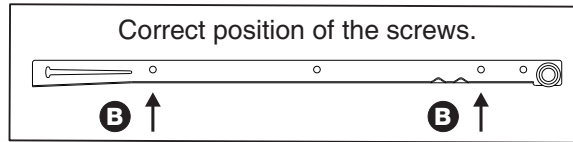
## Step 13

### Fixing runners.

Attach right runners **P** and left runners **Q** in the bottom edge of the large and small drawers using screws **B**, as shown.

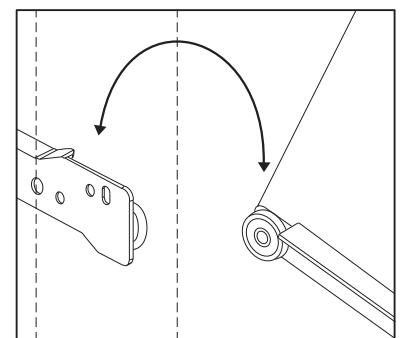
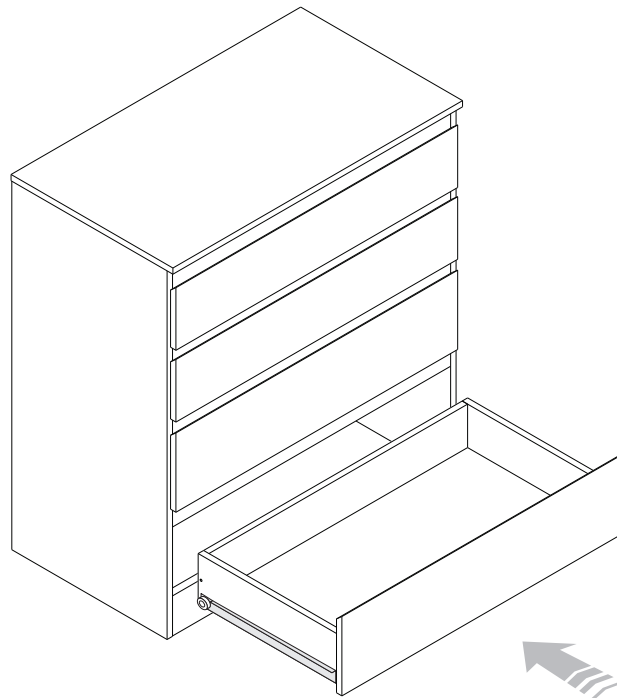


Make sure runners are correctly positioned according to the diagram prior to fixing.



## Step 14

Hook the wheels of the runner on the back of the drawers over the wheels of the runners on the left and right sides, then hold the drawers level and slide backwards into position.



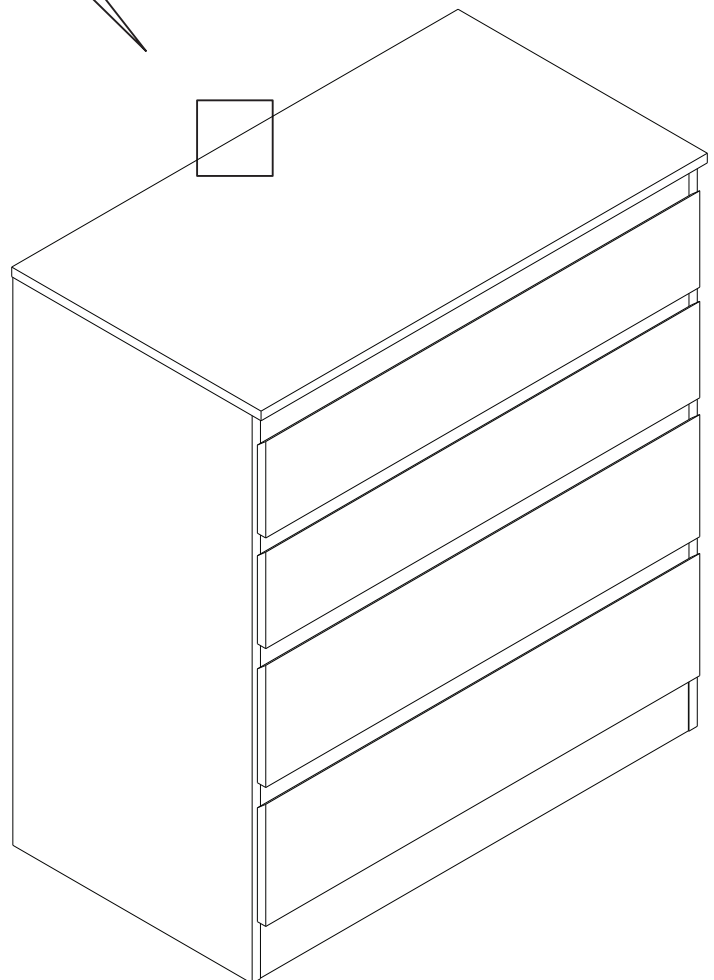
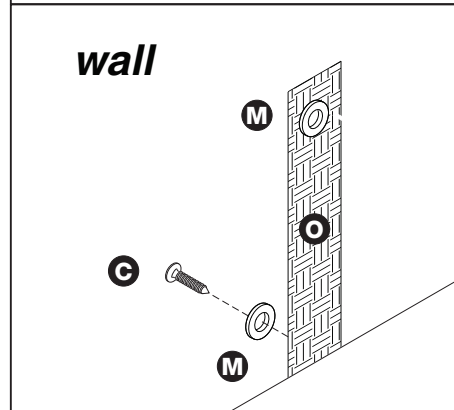
# Assembly Instructions

## Step 15

### Fixing to wall.

Furniture must be fixed to a wall. Fix wall strap **C** to top of furniture using washer **M** and screw **G**. With help, move furniture into position.

**Note:** Wall plugs not supplied. The correct type of fixing must be used for your wall, seek professional advice if in doubt.



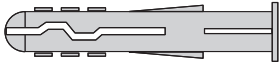
**Assembly is complete.**

If you need help or have damaged or missing parts, call the **Customer Helpline: 08456 400 800**

# A Guide to - Wall Mounting & Fixings

## Important note:

If plastic wall plugs are supplied with your product:



- these are only suitable for use in masonry walls.

If you are in any doubt about the correct wall plugs for your wall, seek professional advice.


Failure of the product due to using incorrect fixings is the responsibility of the installer.



**Important:** When drilling into walls always check that there are no hidden wires or pipes etc.

Make sure that the screws and wall plugs being used are suitable for supporting your unit. Consult a qualified tradesperson if you are unsure.

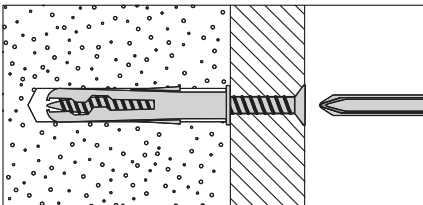
## Hints:

- 1: General rule:**  Always use a larger screw and wall plug if you are not sure.
- 2:** Ensure you use the recommended drill bit to match the wall plug and hole size.
- 3:** Ensure you drill the hole horizontally, do not force the drill or enlarge the hole.
- 4:** Take extra care when drilling high walls, ceilings and ceramic tiles. Ensure wall plugs are inserted beyond the thickness of the ceramic tiles to avoid the tiles splitting or cracking.
- 5:** Ensure wall plugs are well fitted and are a tight fit in the drilled hole.

## Types of walls

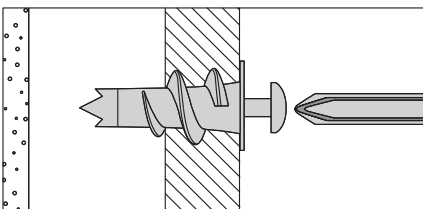
You can use one of the following types of wall plug if your walls are made of brick, breeze block, concrete, stone or wood.

### No.1 "General Purpose" wall plug



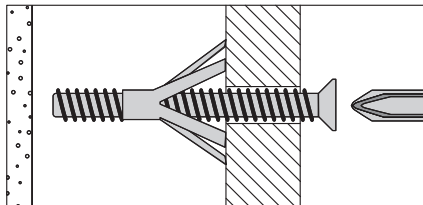
Generally aerated blocks should not be used to support heavy loads, use a specialist fitting in this case. For light loads, general purpose wall plugs can be used.

### No.2 "Plasterboard" wall plug



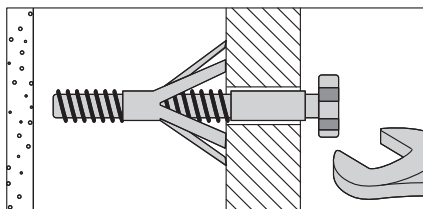
For use when attaching light loads on to plasterboard partitions.

### No.3 "Cavity Fixing" wall plug



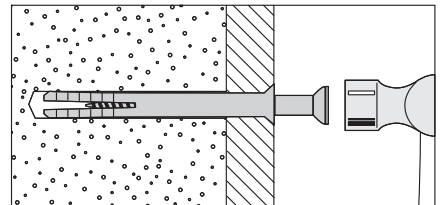
For use with plasterboard partitions or hollow wooden doors.

### No.4 "Cavity Fixing-Heavy Duty" wall plug



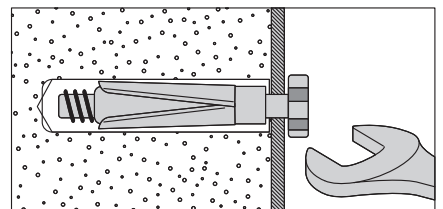
For use when fitting or supporting heavy loads such as shelving, wall cabinets and coat racks.

### No.5 "Hammer Fixing" wall plug



For use with walls stuck with plasterboard. The hammer fixing allows it to be fixed to the wall rather than the plasterboard. Always check the fixing is secure to the retaining wall.

### No.6 "Shield Anchor" wall plug Heavy loads



For use with heavier loads such as TV & HiFi speakers and satellite dishes etc.



## Care & Maintenance

**Safety:** Always check the fitting and location to ensure your safety in and around the home.

**Fitting:** From time to time check the fitting to ensure the wall plugs or screws do not become loose.