

Cheval - Dresser and Stool

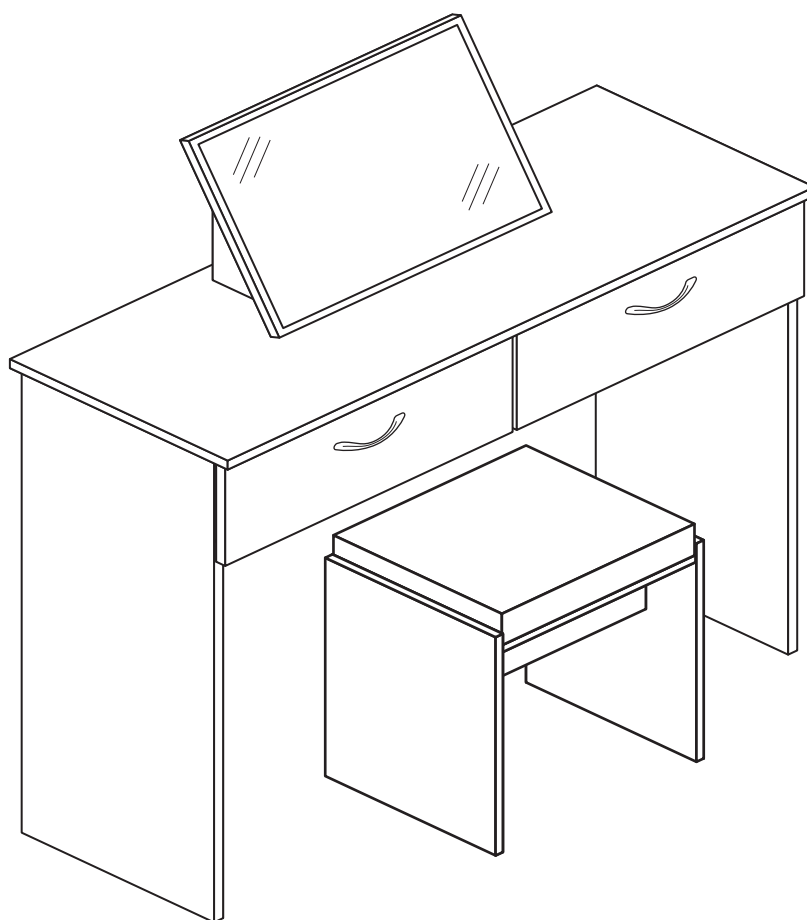
Assembly Instructions - Please keep for future reference

152/6435

147/6695

151/5154

151/2621



Dresser Dimensions

Width - 97cm

Depth - 36cm

Height - 78cm

Stool Dimensions

Width - 43cm

Depth - 35.5cm

Height - 48cm



**MADE IN
BRITAIN**

Important - Please read these instructions fully before starting assembly

If you need help or have damaged or missing parts, call the **Customer Helpline: 08456 400800**



Safety and Care Advice

Important - Please read these instructions fully before starting assembly

- **Warning:** This unit weighs approximately 28kgs. Please lift with care.

- Check you have all the components and tools listed on pages 2 and 3.

- Remove all fittings from the plastic bags and separate them into their groups.

- Keep children and animals away from the work area, small parts could choke if swallowed.

- Parts of the assembly will be easier with 2 people.

- Make sure you have enough space to layout the parts before starting.

- Do not stand or put weight on the product, this could cause damage.

- Assemble the item as close to its final position (in the same room) as possible.

- Assemble on a soft level surface to avoid damaging the unit or your floor (use opened out unit carton).



- We do not recommend the use of power drill/drivers **for inserting screws**, as this could damage the unit. Only use hand screwdrivers.

- **Safety note:** It is recommended that this unit is secured to a wall using the bracket supplied.

- Dispose of all packaging carefully and responsibly.

Care and maintenance

- Only clean using a damp cloth and mild detergent, do not use bleach or abrasive cleaners.

- From time to time check that there are no loose screws on this unit.

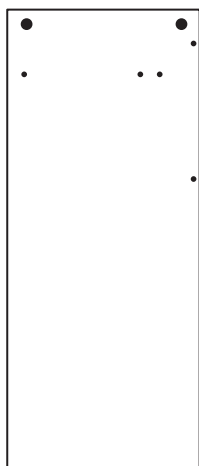
- This product should not be discarded with household waste. Take to your local authority waste disposal centre.

Note: If required the next page can be cut out and used as reference throughout the assembly. Keep this page with these instructions for future reference.

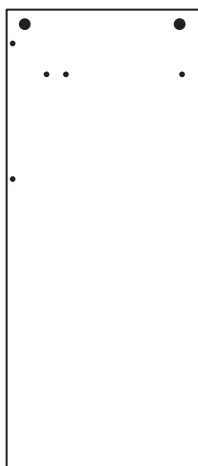
Components - Panels

If you have damaged or missing components, call the **Customer Helpline: 08456 400800** quoting the reference numbers below

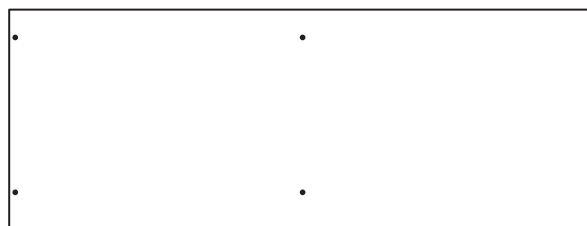
Please check you have all the panels listed below



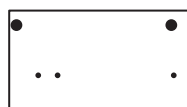
1 Left Side (D2771A)
(762 x 318mm)



2 Right Side (D2756A)
(762 x 318mm)



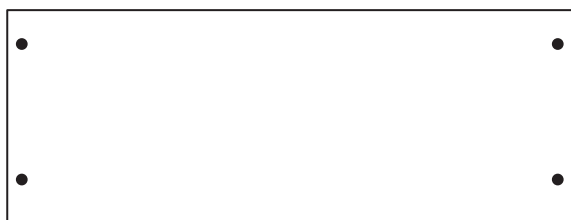
3 Top (D2757A)
(970 x 360mm)



4 Upright (D2759A)
(167 x 300mm)



5 Left Support (D2769A)
(150 x 250mm)



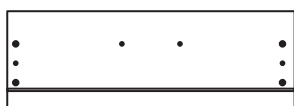
6 Modesty (D2758A)
(934 x 353mm)



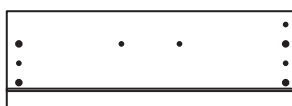
7 Mirror Back (D2768A)
(496 x 332mm)



8 Right Support (D2772A)
(150 x 250mm)



9 Left Drawer Front (D2767A)
(475 x 164mm)



10 Right Drawer Front (D2760A)
(475 x 164mm)



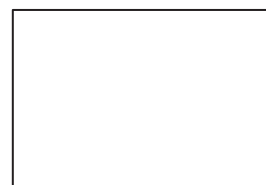
11 Drawer Back (W428-124)
(428 x 124mm) x 2



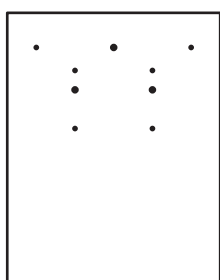
12 Left Drawer Side (W300-124LH)
(300 x 124mm) x 2



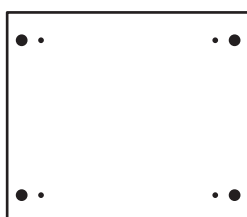
13 Right Drawer Side (W300-124RH)
(300 x 124mm) x 2



14 Drawer Base (T439-297)
(439 x 297mm) x 2



15 Stool Side (D0996A)
(451 x 352mm) x 2



16 Stool Base (D0997A)
(400 x 348mm)



17 Stool Rail (D0998A)
(400 x 144mm) x 2



18 Seat Pad (FMANPAD)
(398 x 348mm)

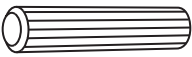
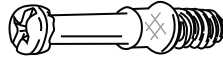
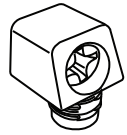









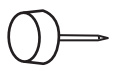
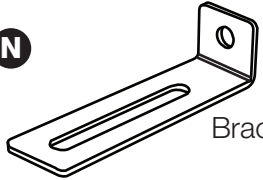




Components - Fittings

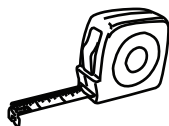
If you have damaged or missing components, call the **Customer Helpline: 08456 400800** quoting the reference numbers below

Please check you have all the fittings listed below

Note: The quantities below are the correct amount to complete the assembly. In some cases more fittings may be supplied than are required.

<p>A </p> <p>Wooden dowel (F22) x 6</p>	<p>B </p> <p>Metal dowel (F901) x 26</p>	<p>C </p> <p>Mini block (F25) x 4</p>
<p>D </p> <p>Large locking nut (F900) x 22</p>	<p>E </p> <p>Small locking nut (F3) x 4</p>	<p>F </p> <p>25mm Screw (F50) x 4</p>
<p>G </p> <p>19mm Screw (F461) x 4</p>	<p>H </p> <p>13mm Screw (F79) x 1</p>	<p>I </p> <p>9mm Screw (F73) x 8</p>
<p>J </p> <p>Drawer runner (F1004) x 4</p>		<p>K </p> <p>9mm Screw (F74) x 4</p>
<p>L </p> <p>Knock-in Peg (F171) x 8</p>	<p>M </p> <p>Plastic Nail (F91) x 8</p>	<p>N </p> <p>Bracket (F327) x 1</p>
<p>O </p> <p>Handle (F273) x 2</p>	<p>P </p> <p>Wedgfix (F639) x 4</p>	

Tools required



Rule



Cross-head screwdriver



Scissors



Hammer

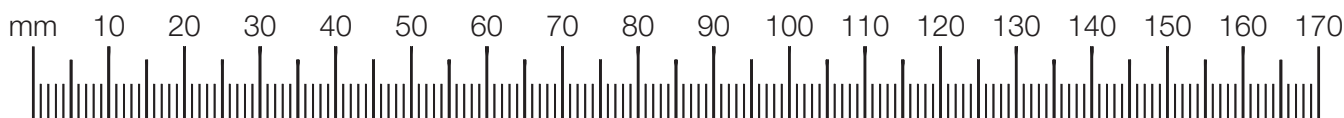


Eye protection (when using a hammer or drill)



Electric drill (do not use for fitting screws)

Ruler - Use this ruler to help correctly identify the screws



Assembly Instructions

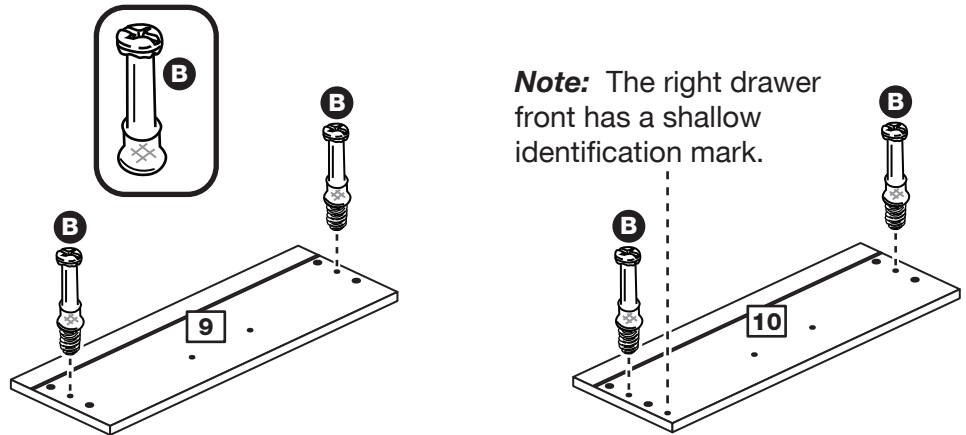
If you have damaged or missing components, call the **Customer Helpline: 08456 400800** quoting the reference numbers below

Step 1

Prepare the 2 drawer fronts

Screw 2 metal dowels **B** into each of the drawer fronts **9** and **10**.

Note: Tighten the metal dowels up fully against the panels.

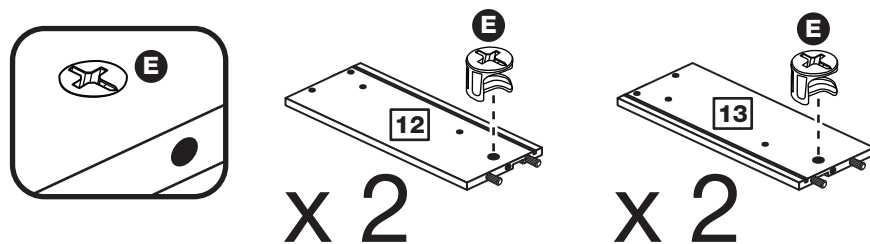


Step 2

Prepare the drawer sides

Insert a small locking nut **E** into the hole shown on the left drawer side **12** and the right drawer side **13**.

Note: The arrow on the locking nut **must** point towards the hole in the edge of the panel.



Step 3

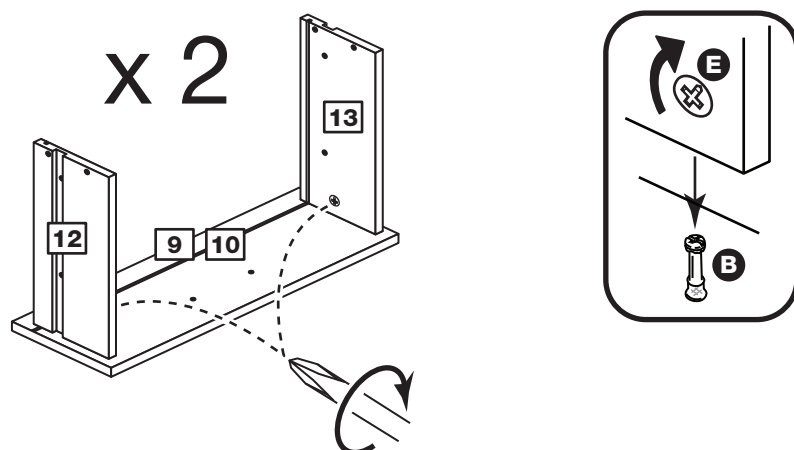
Attach the drawer sides to the drawer front

Push the left drawer side **12** and right drawer side **13** onto the back of the drawer front **9** and **10**.

Turn the small locking nuts **E** on the left drawer side **12** and right drawer side **13**.

Note: Turn the locking nuts **E** clockwise to secure panels - more than 1/2 a turn.

Note: The locking nuts can be on either surface of the drawer sides. Make sure that the small groove is on the inside, as shown.

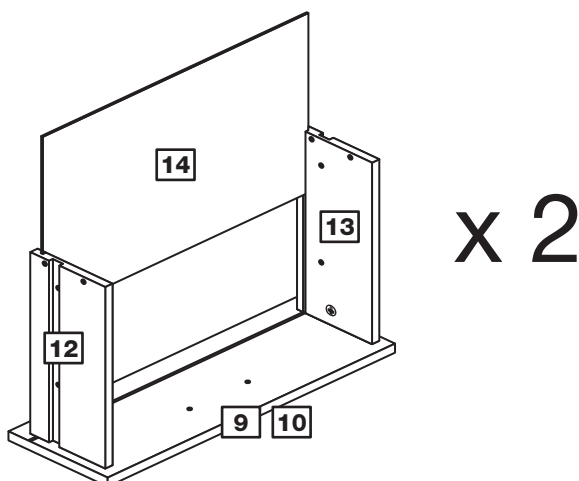


Assembly Instructions

Step 4

Fit the drawer base

Slide the drawer base **14** down the grooves in the drawer sides **12** and **13** and down into the groove in the drawer front **9** and **10**.



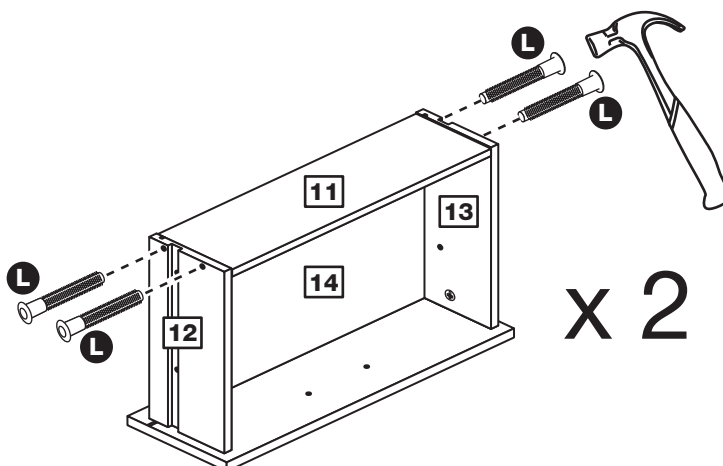
Step 5

Fit the drawer back

Fit the drawer back **11** between the drawer sides **12** and **13**.

Make sure that the drawer base **14** fits into the groove in the drawer back **11**.

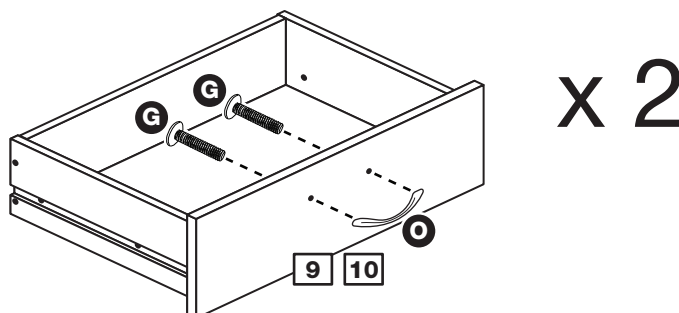
Hold the drawer back **11** in position and tap the knock-in pegs **L** through the holes in the drawer sides **12** and **13**.



Step 6

Attach the handles

Attach a handle **O** to each of the drawer fronts **9** and **10** using 2 screws **G**.

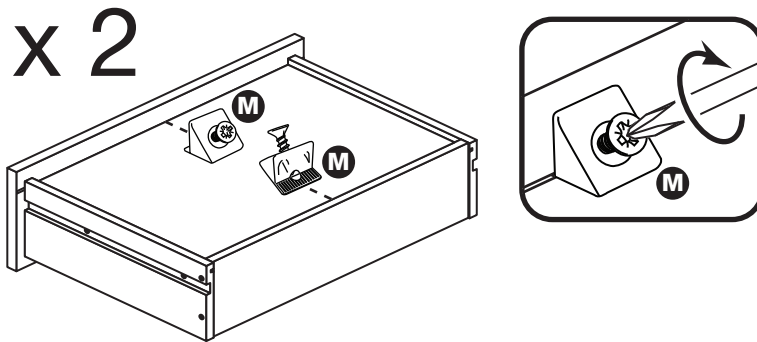


Assembly Instructions

Step 7

Fit the wedgexes

Turn the 2 drawer assemblies over and slide 2 wedgexes **M** into the front and back grooves, as shown, and tighten up the screws.



Step 8

Prepare the left side

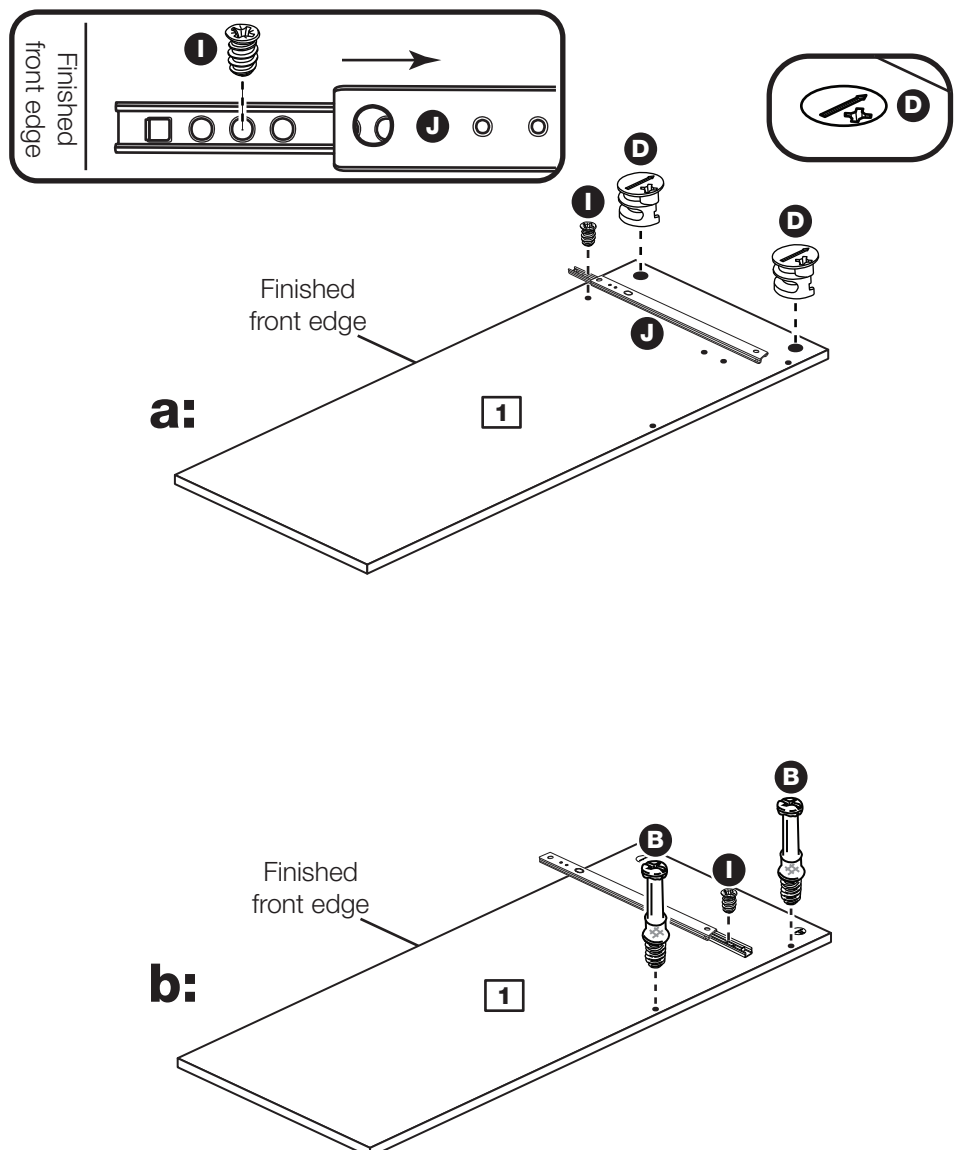
a: Place a runner **J** on the left side **1** as shown. Slide back the top of runner and use the 2nd hole from the front to fit the 1st screw **I**.

Insert 2 large locking nuts **D** into the left side **1**.

Note: The arrow on the locking nuts **must** point towards the hole in the edge of the panel.

b: Slide the runner **J** back the other way and fit the 2nd screw **I** into the corresponding hole in the left side **1**.

Screw 2 metal dowels **B** into the left side **1**.



Assembly Instructions

Step 9

Prepare the right side

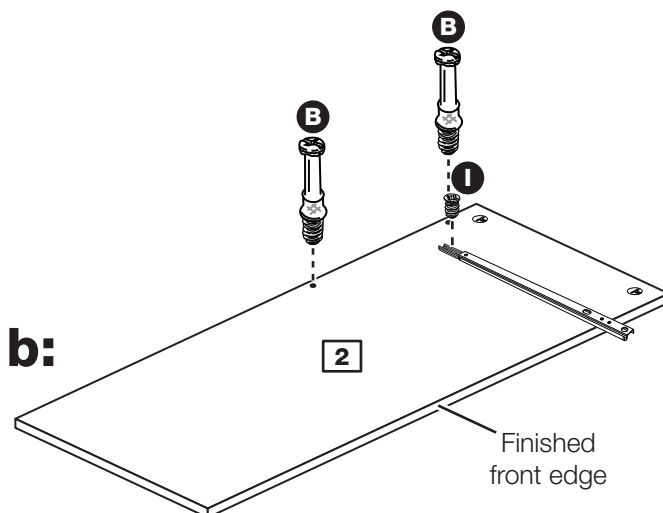
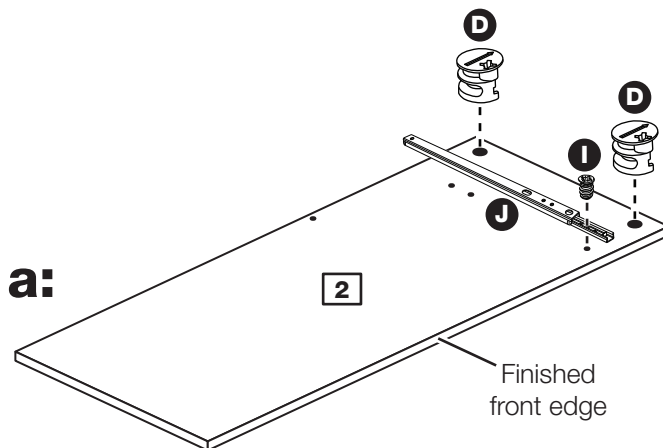
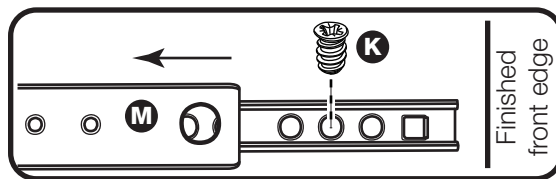
a: Place a runner **J** on the right side **2** as shown. Slide back the top of runner and use the 2nd hole from the front to fit the 1st screw **I**.

Insert 2 large locking nuts **D** into the right side **2**.

Note: The arrow on the locking nuts **must** point towards the hole in the edge of the panel.

b: Slide the runner **J** back the other way and fit the 2nd screw **I** into the corresponding hole in the right side **2**.

Screw 2 metal dowels **B** into the right side **2**.

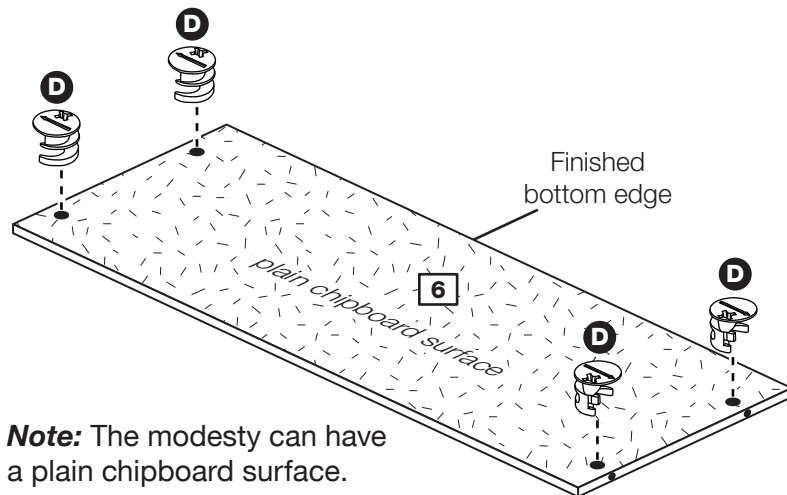


Assembly Instructions

Step 10

Prepare the modesty

Insert 4 large locking nuts **D** into the modesty **6**.



Note: The modesty can have a plain chipboard surface.

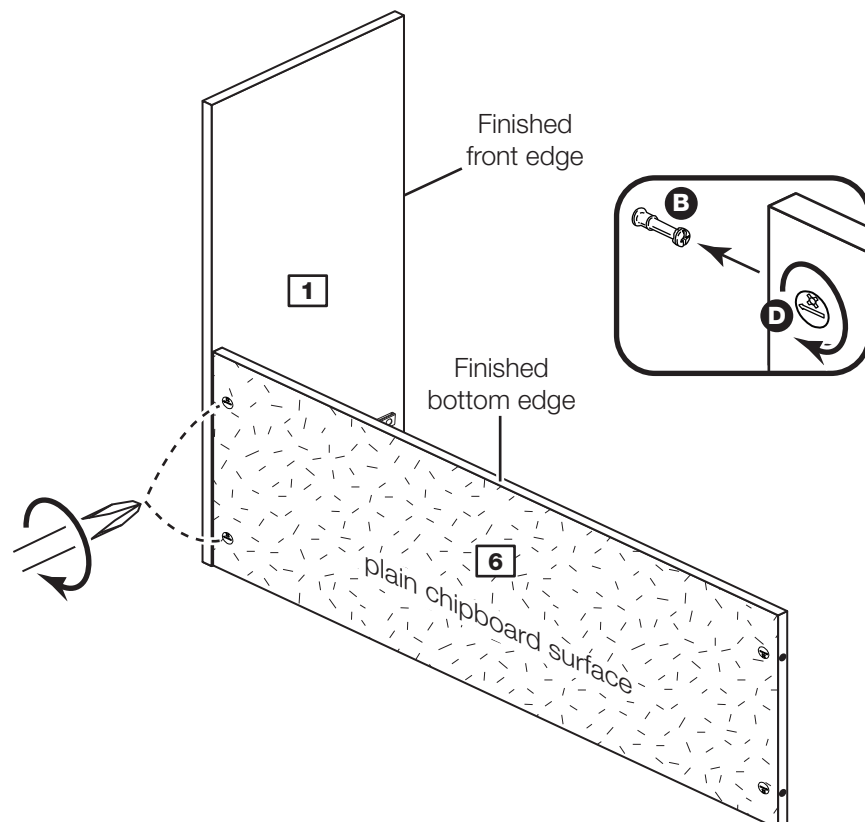
Step 11

Fit the modesty to the left side

Push the modesty **6** onto the left side **1**.

Use a screwdriver to tighten the 2 large locking nuts **D** fitted to the modesty **6**.

Note: Turn the large locking nuts **D** as far as they will go - more than 1/2 a turn.



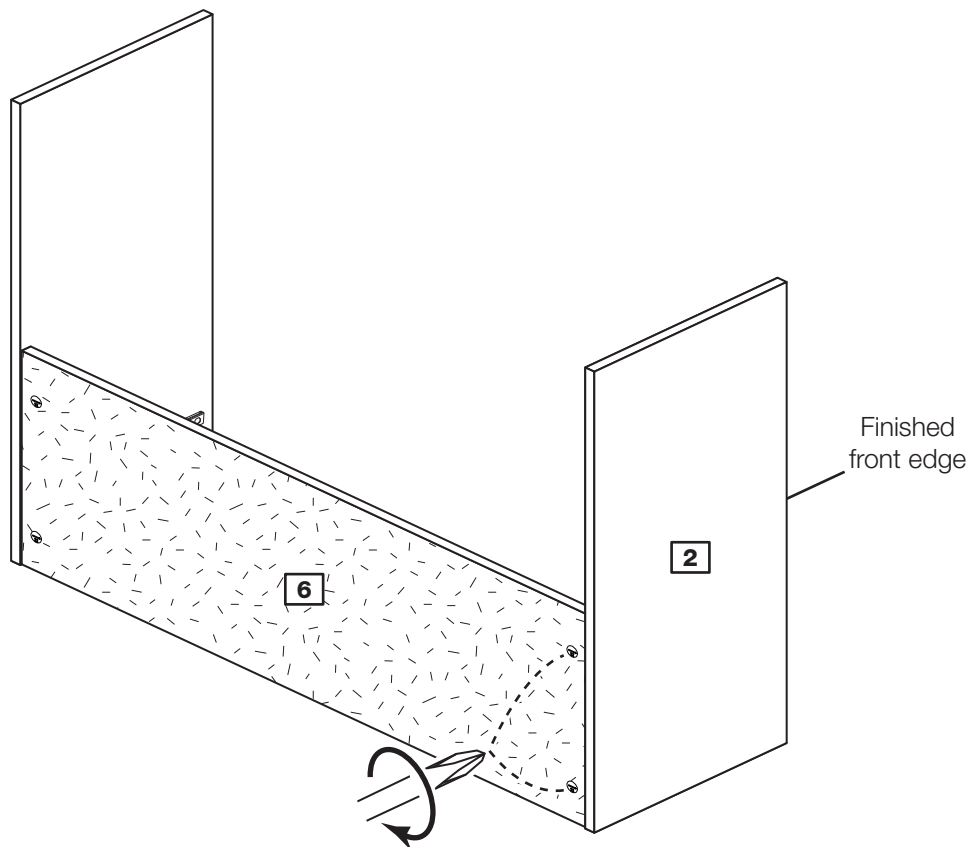
Assembly Instructions

Step 12

Fit the right side

Push the right side **2** onto the modesty **6**.

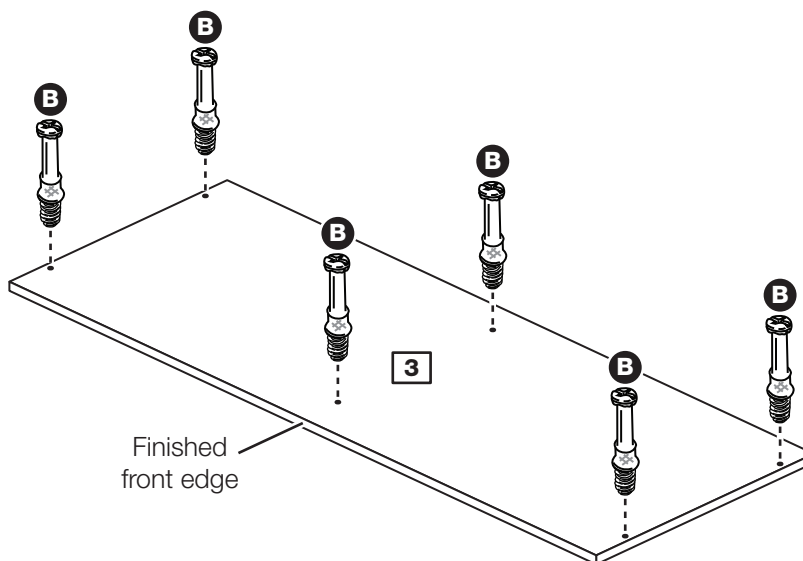
Use a screwdriver to tighten the 2 large locking nuts **D** fitted to the modesty **6**.



Step 13

Prepare the top

Screw 6 metal dowels **B** into the top **3**.



Assembly Instructions

Step 14

Prepare the upright

Note: The colour of the upright may differ from the main unit colour or may be plain chipboard.

a: Place a runner **J** on the upright **4** as shown. Slide back the top of runner and use the 2nd hole from the front to fit the 1st screw **I**.

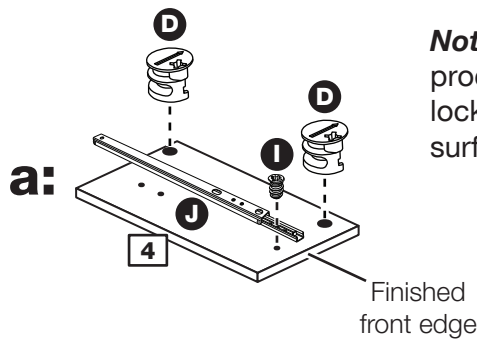
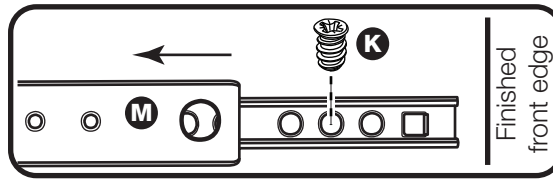
Insert 2 large locking nuts **D** into the upright **4**.

b: Slide the runner **J** back the other way and fit the 2nd screw **I** into the corresponding hole in the upright **4**.

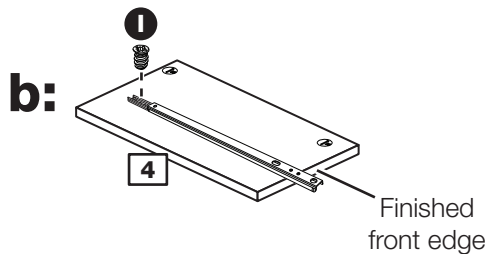
Turn the upright over

c: Place a runner **J** on the upright **4** as shown. Slide back the top of runner and use the 2nd hole from the front to fit the 1st screw **I**.

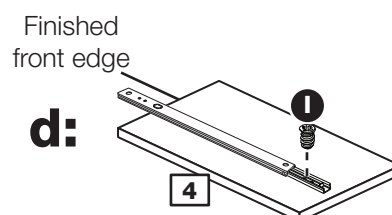
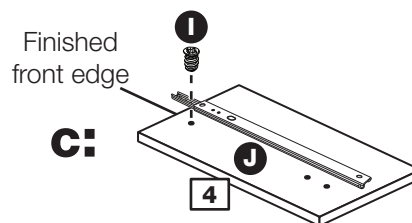
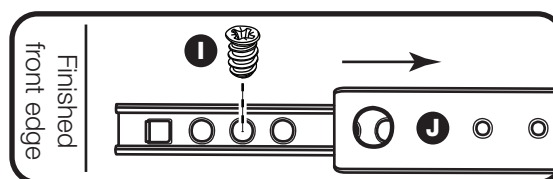
d: Slide the runner **J** back the other way and fit the 2nd screw **I** into the corresponding hole in the upright **4**.



Note: Due to the manufacturing process, the 2 holes for the large locking nuts can be on either surface of the upright.



Turn the upright over



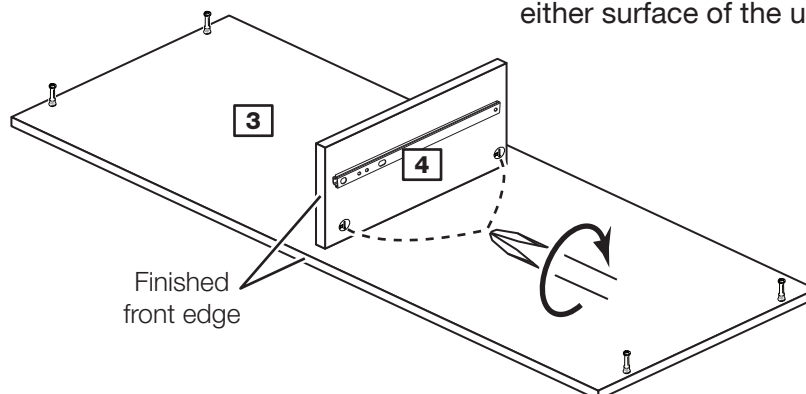
Assembly Instructions

Step 15

Fit the upright to the top

Push the upright **4** down onto the top **3**.

Use a screwdriver to tighten the 2 large locking nuts **D** fitted to the upright **4**.



Remember: The 2 holes for the large locking nuts can be on either surface of the upright.

Step 16

Fit the top

Push the sides **1** and **2** down onto the top **3**.

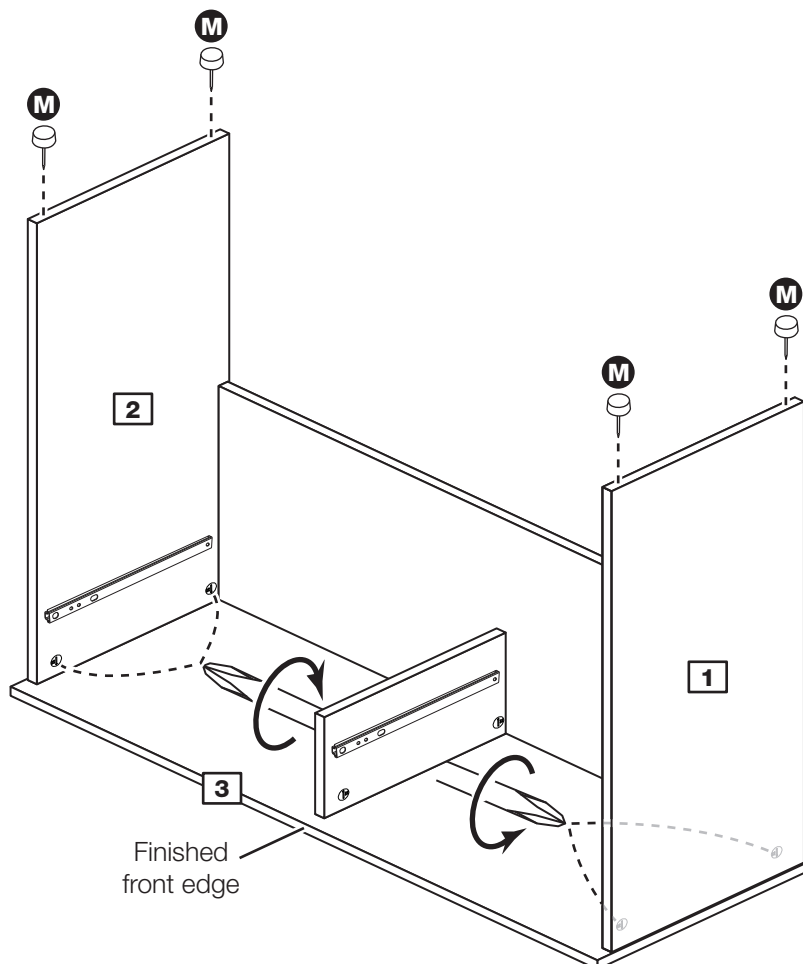
Use a screwdriver to tighten the 2 large locking nuts **D** fitted to each of the sides **1** and **2**.

Tap 2 plastic nails **M** into the bottom edge of each of the sides **1** and **2** as shown.

Carefully stand the unit up for the next step.



Warning: The unit is heavy. Lift with care.



Assembly Instructions

Step 17

Fit the drawers

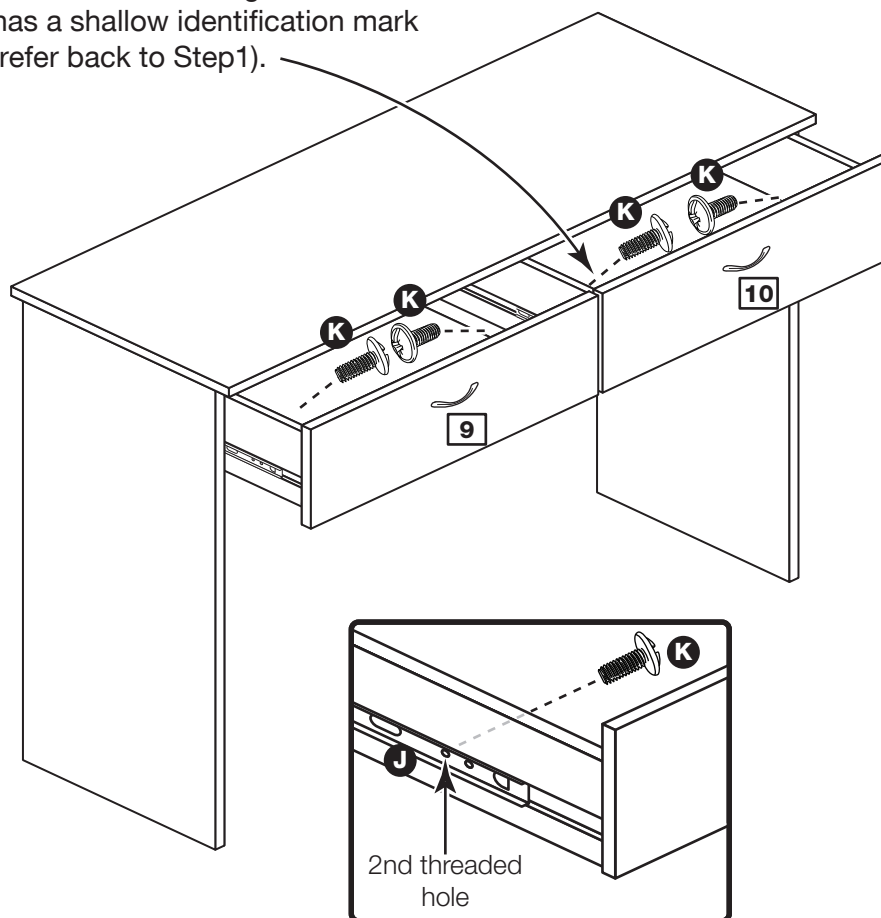
Slide both the runners **J** forward and locate the drawer sides **12** and **13** between them, lining up the holes in the drawer wrap with the 2nd 'threaded' holes in the runners **J**.

Working from the inside of the drawer, insert 2 screws **K** through the drawer sides and out into the 2nd threaded hole in the runner.

Note: Do not overtighten the screws **K**.

If they catch on the runner you may need to loosen them slightly.

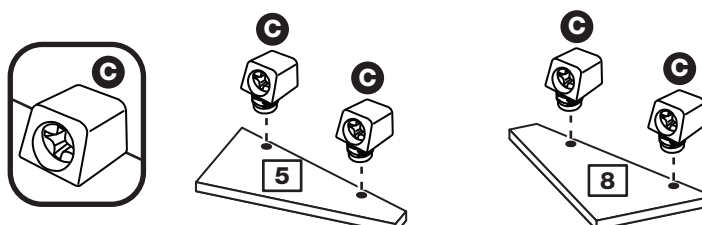
Remember: The right drawer front has a shallow identification mark (refer back to Step 1).



Step 18

Prepare the left and right support

Gently tap 2 mini blocks **C** into the holes on the left support **5** and the right support **8**, orientated as shown.



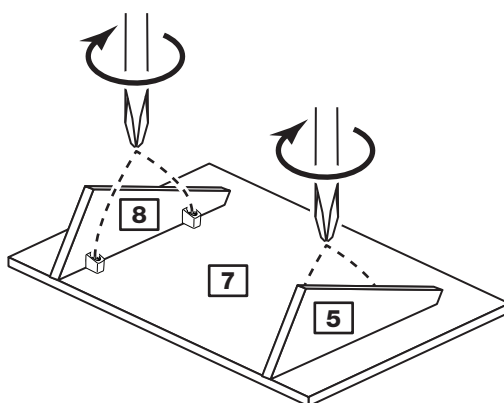
Assembly Instructions

Step 19

Fit the supports to the mirror back

Place the left support **5** and right support **8** onto the mirror back **7**.

Tighten up the screws in the mini blocks **C** into the holes in the mirror back **7**.



Warning:
Glass! Handle with care

Step 20

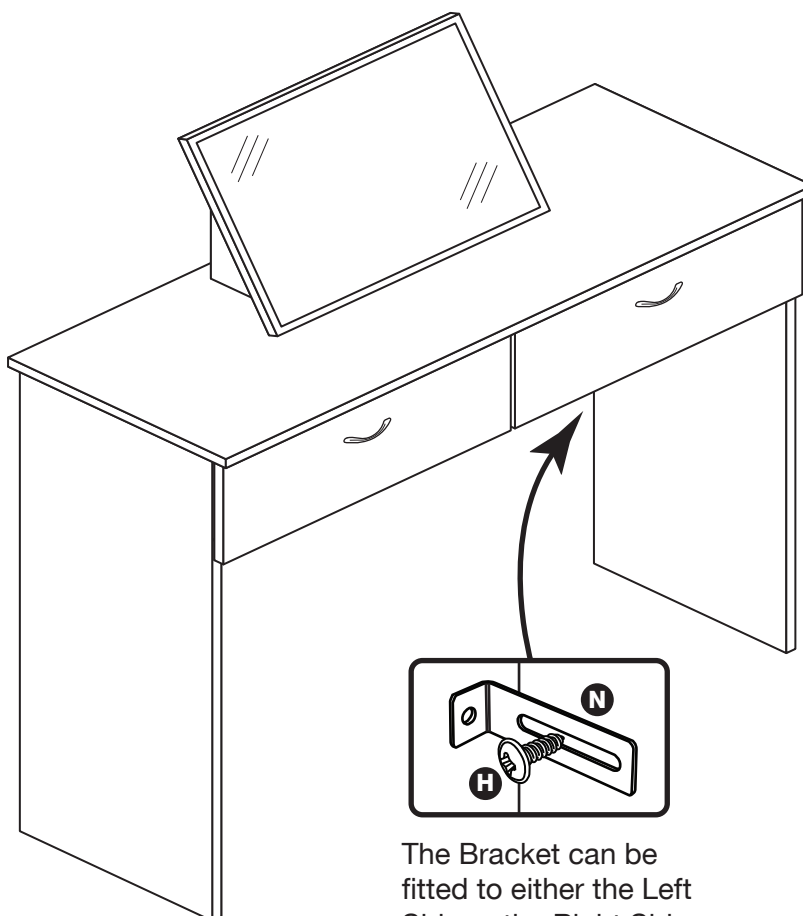
Position the mirror on assembly and fit the bracket

Place the mirror assembly on the top of the dresser.

To prevent possible overbalancing we recommend that this unit is secured to a suitable wall using the bracket **N**, fitted just below the modesty, on one of the side panels with the screw **H**.

Fixings are not supplied as they will need to suit the wall type, and the length of screw will depend on the distance of the back of the unit to the wall.

Warning: Take care when drilling the wall that you do not drill into any pipes, wires etc. If in doubt, consult an expert.



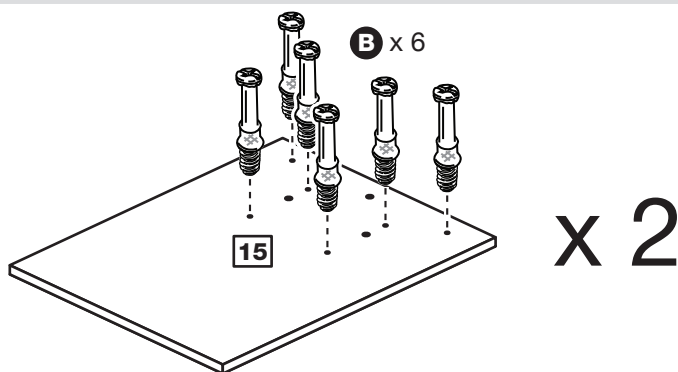
The Bracket can be fitted to either the Left Side or the Right Side.

Assembly Instructions

Step 21

Prepare the 2 stool sides

Screw 6 metal dowels **B** into each of the 2 stool sides **15**, as shown.

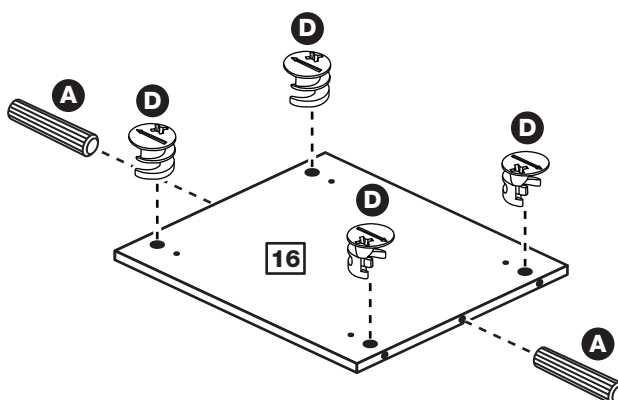


Step 22

Prepare the stool base

Insert 4 large locking nuts **D** into the holes in the stool base **16**.

Tap 2 wooden dowels **A** into the ends of the stool base **16**.



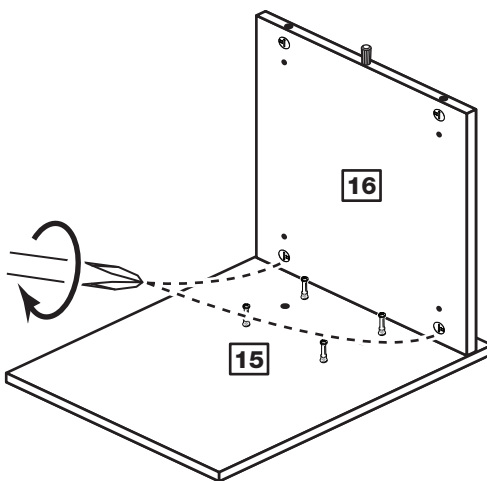
Step 23

Fit a stool side to the stool base

Fit one of the stool sides **15** to the stool base **16**.

Use a screwdriver to tighten the 2 large locking nuts **D** fitted to the stool base **15**.

Note: Turn the large locking nuts **D** as far as they will go - more than 1/2 a turn.

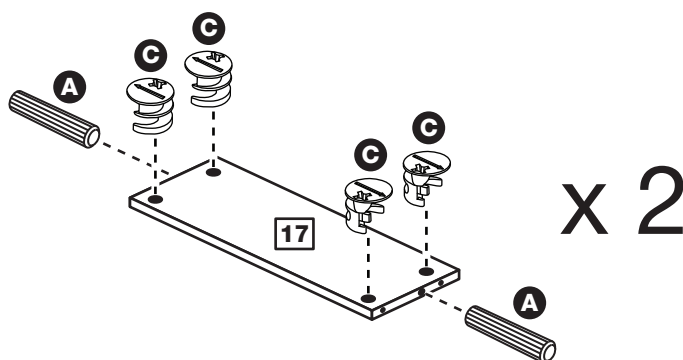


Step 24

Prepare the 2 stool rails

Insert 4 large locking nuts **D** into each of the 2 stool rails **17**.

Tap 2 wooden dowels **A** into each stool rail **17**.



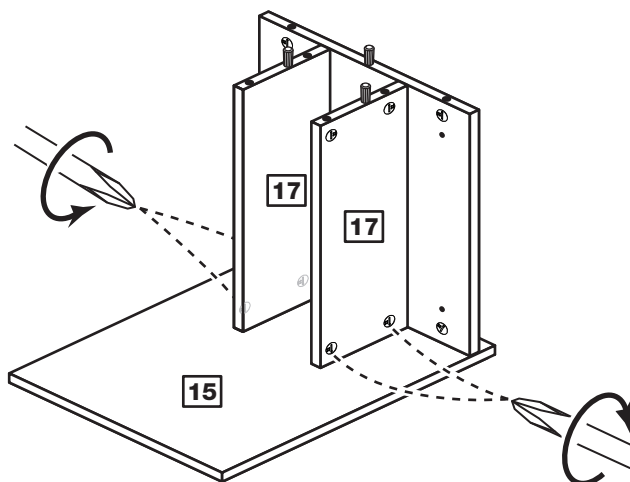
Assembly Instructions

Step 25

Fit the 2 stool rails

Push the 2 stool rails **17** down onto the stool side **15**, as shown.

Use a screwdriver to tighten the 2 large locking nuts **D** fitted to each stool rail **17**.



Step 26

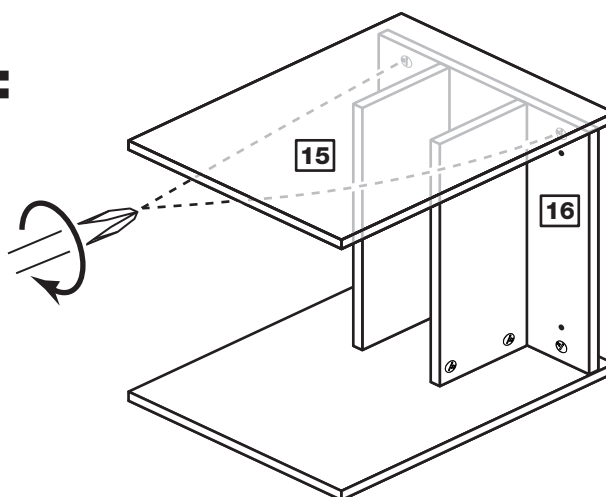
Fit the other stool side

a: Push the other stool side **15** down onto the assembly, as shown.

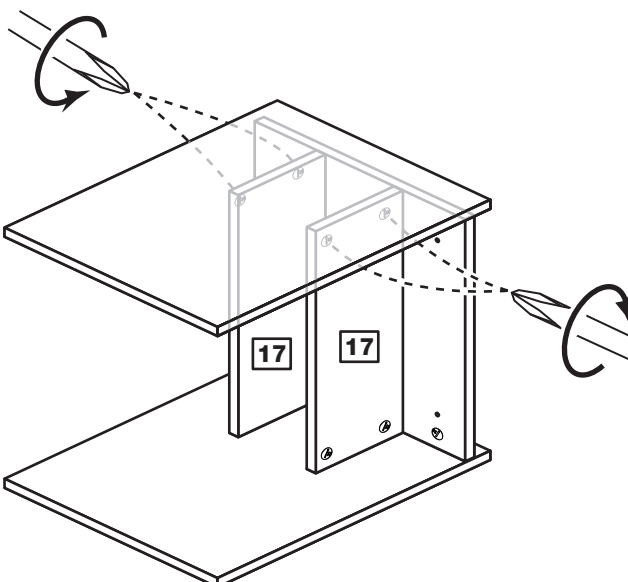
Use a screwdriver to tighten the 2 large locking nuts **D** fitted to the stool base **16**.

b: Use a screwdriver to tighten the 2 large locking nuts **D** fitted to each of the stool rails **17**.

a:



b:



Assembly Instructions

Step 27

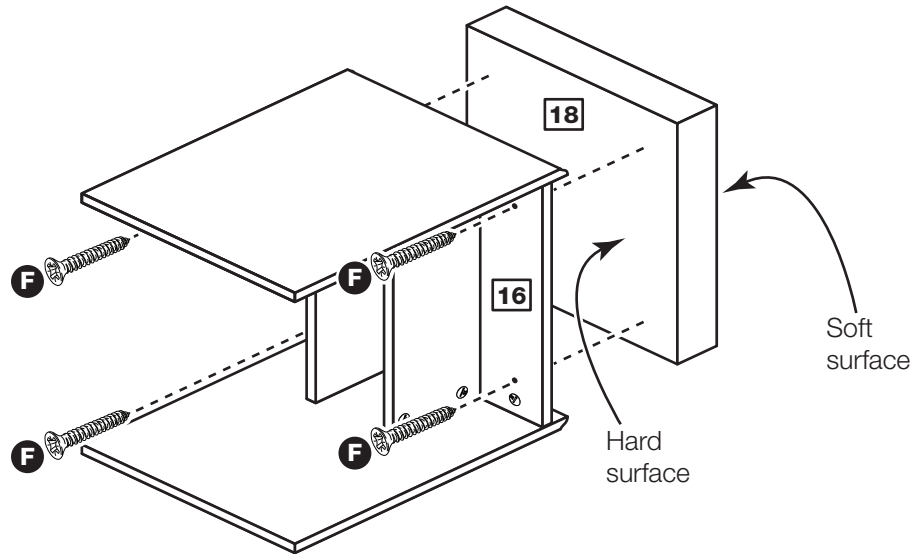
Fit the seat pad

Position the seat pad **18** onto the assembly and make sure that its 4 edges line up with the stool base **16**.

Hold the seat pad **18** in position and screw up through the 4 holes in the stool base **16** using screws **F**.

Note: Make sure that you screw into the hard surface of the seat pad.

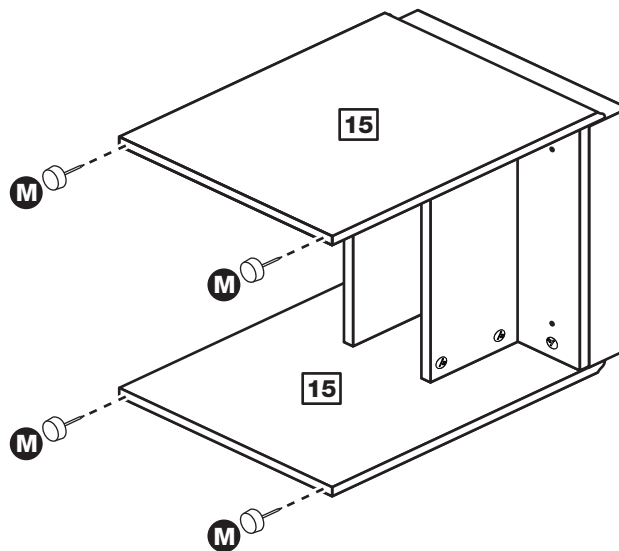
Assembly is complete



Step 28

Fit the plastic nails

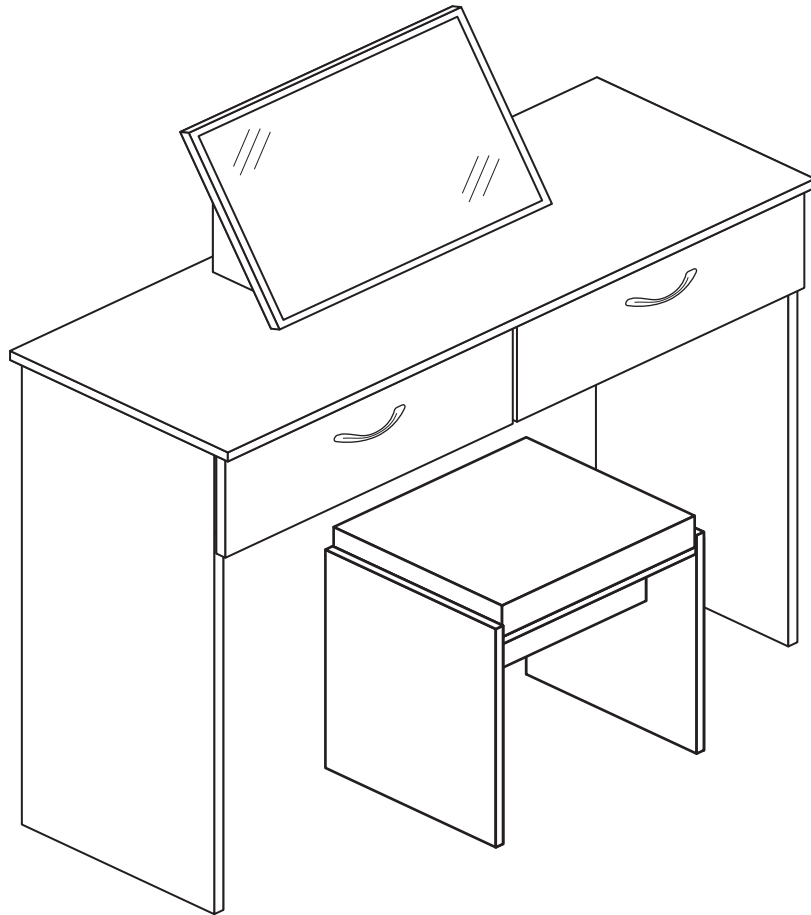
Tap 2 plastic nails **M** into the bottom edge of each of the stool sides **15** as shown.



Assembly Instructions

Step 29

Assembly is complete



IMPORTANT INFORMATION ABOUT THIS PRODUCT

This product complies with the requirements of BS 7449:1991 and has been manufactured by DECORATIVE PANELS FURNITURE LTD, TEESIDE INDUSTRIAL ESTATE, THORNABY-ON-TEES, CLEVELAND, TS17 9LT.

The product code for this unit and the item code(s) for the glass components are listed in the Assembly Instructions along with a description of the type of glass used. All clear/tinted glass complies with the requirements of BS 6206 Class A. All mirrors comply with the requirements of BS 6206 Class C. If the glass component contained in this unit is chipped or broken consult the furniture manufacturer, retailer, or agent with regard to obtaining a manufacturing specification and shape for replacement glass quoting the unit description and batch number or date of manufacture.

Do not place very hot or very cold items against or in close proximity to glass surface(s) unless adequately thick insulating material is used to prevent such items coming in contact with the glass.

Do not strike the glass with hard or pointed items.

Do not sit or stand upon horizontal glass surfaces.

When cleaning glass panels use a damp cloth or leather with washing up liquid or soft soap if necessary - do not use washing powders or any other substance containing abrasives since these substances scratch glass.

If stated in the instruction leaflet, it is essential that this unit is fixed to a wall.

KEEP THESE INSTRUCTIONS FOR FUTURE USE

If you need help or have damaged or missing parts, call the **Customer Helpline: 08456 400800** and quote the reference numbers on the component pages.

Argos Ltd, 489-499 Avebury Boulevard, Central Milton Keynes, MK9 2NW

