

Cheval - Overbed Cupboards

Assembly Instructions - Please keep for future reference

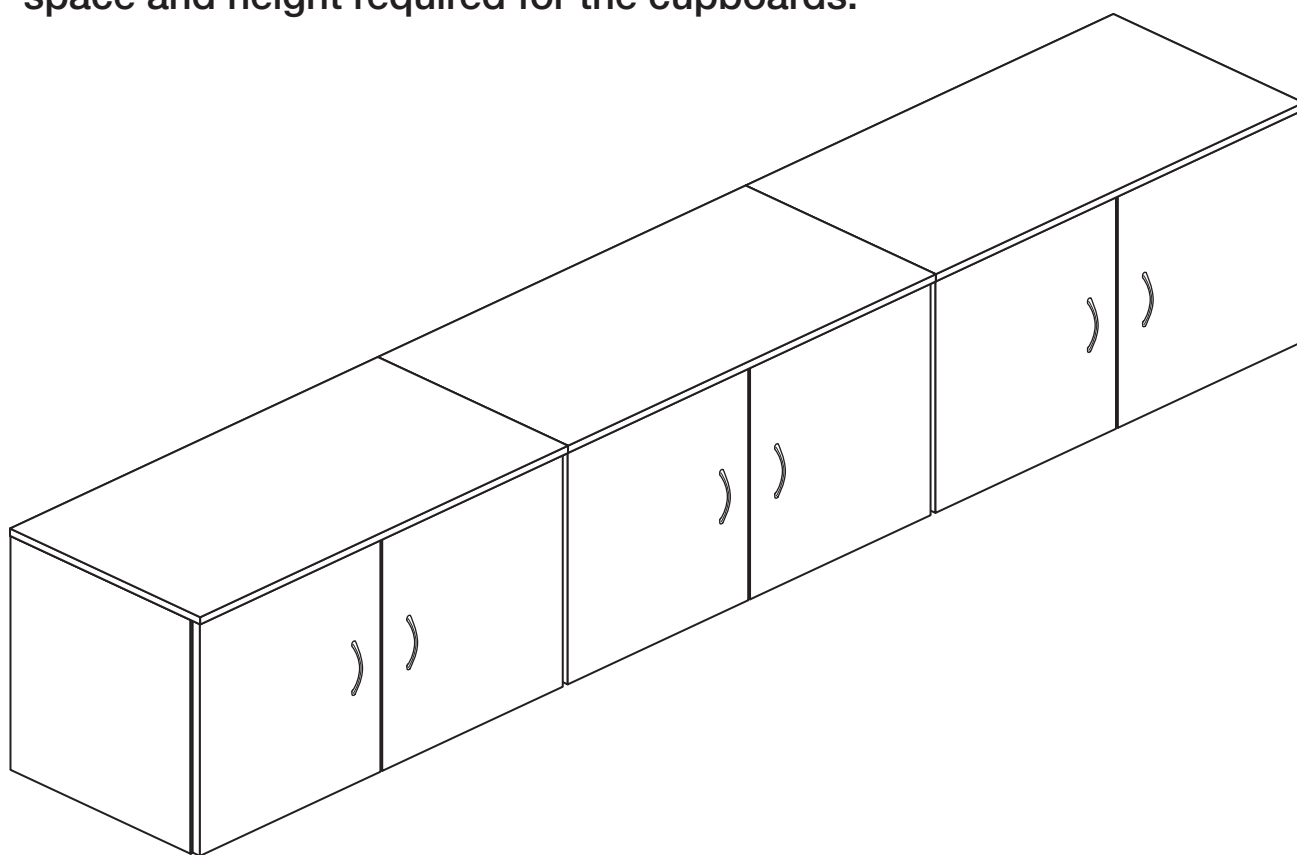
147/5634

144/1390

151/3314

146/9918

We recommend that you assemble any Cheval Robe(s) you may have purchased **BEFORE** you assemble these cupboards. This will enable you to measure the correct space and height required for the cupboards.



Dimensions of each cupboard

Width - 76cm

Depth - 39.5cm

Height - 50cm



**MADE IN
BRITAIN**

Important - Please read these instructions fully before starting assembly

If you need help or have damaged or missing parts, call the **Customer Helpline: 08456 400800**



Safety and Care Advice

Important - Please read these instructions fully before starting assembly

- **Warning:** The combined weight of the units is approximately 47kgs. Please lift with care.

- Check you have all the components and tools listed on pages 2 and 3.

- Remove all fittings from the plastic bags and separate them into their groups.

- Keep children and animals away from the work area, small parts could choke if swallowed.

- Parts of the assembly will be easier with 2 people.

- Make sure you have enough space to layout the parts before starting.

- Do not stand or put weight on the product, this could cause damage.

- Assemble the item as close to its final position (in the same room) as possible.

- Assemble on a soft level surface to avoid damaging the unit or your floor (use opened out unit carton).



- We do not recommend the use of power drill/drivers **for inserting screws**, as this could damage the unit. Only use hand screwdrivers.

- **Safety note:** It is recommended that this unit is secured to a wall using the brackets supplied.

- Dispose of all packaging carefully and responsibly.

Care and maintenance

- Only clean using a damp cloth and mild detergent, do not use bleach or abrasive cleaners.

- From time to time check that there are no loose screws on this unit.

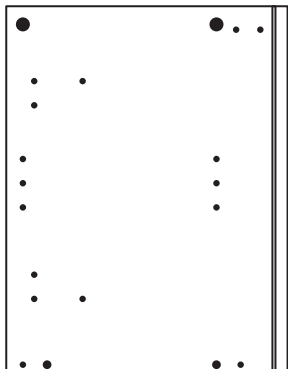
- This product should not be discarded with household waste. Take to your local authority waste disposal centre.

Note: If required the next page can be cut out and used as reference throughout the assembly. Keep this page with these instructions for future reference.

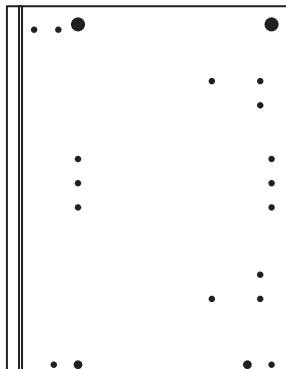
Components - Panels

If you have damaged or missing components, call the **Customer Helpline: 08456 400800** quoting the reference numbers below

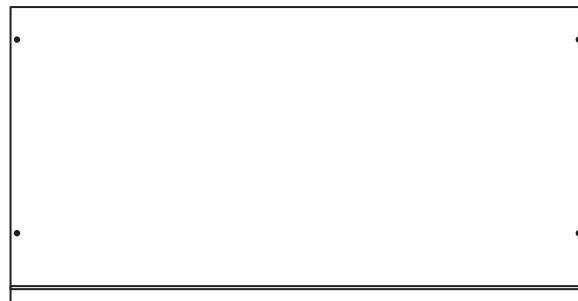
Please check you have all the panels listed below



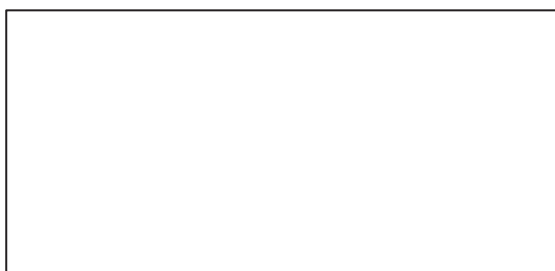
1 Left Side (D2761A)
(484 x 372mm) x 3



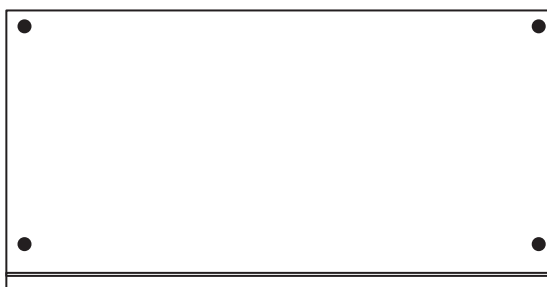
2 Right Side (D2762A)
(484 x 372mm) x 3



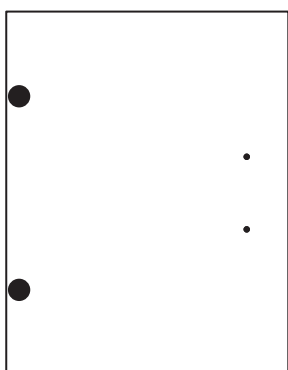
3 Top (D2763A)
(760 x 393mm) x 3



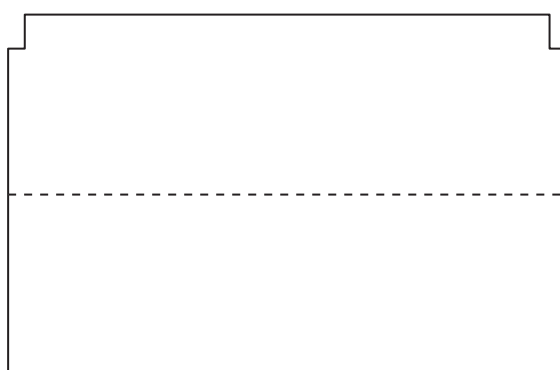
4 Shelf (D2773A)
(727 x 350mm) x 3



5 Base (D2764A)
(728 x 371mm) x 3



6 Door (D2765A)
(480 x 373mm) x 6



7 Back (X738-476)
(738 x 476mm) x 3

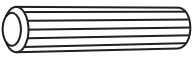
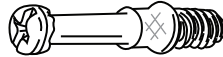



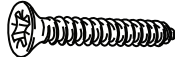
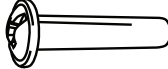
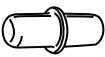

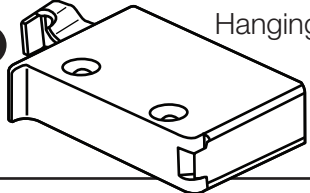

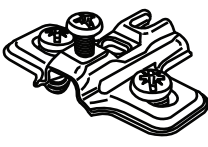
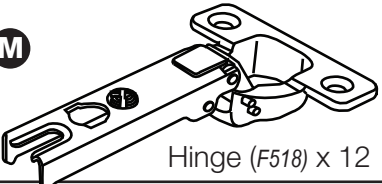


Components - Fittings


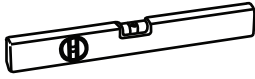



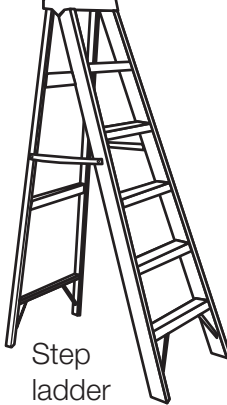
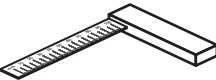


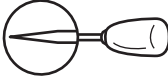
If you have damaged or missing components, call the **Customer Helpline: 08456 400800** quoting the reference numbers below

Please check you have all the fittings listed below

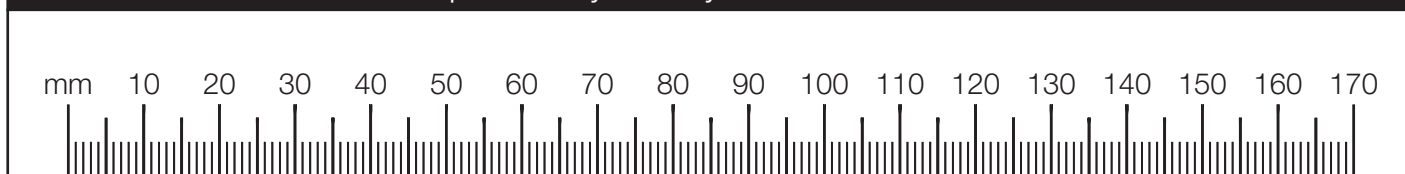
Note: The quantities below are the correct amount to complete the assembly. In some cases more fittings may be supplied than are required.

<p>A </p> <p>Wooden dowel (F22) x 12</p>	<p>B </p> <p>Metal dowel (F901) x 24</p>	<p>C </p> <p>Large locking nut (F900) x 24</p>
<p>D </p> <p>13mm Screw (F63) x 24</p>	<p>E </p> <p>19mm Screw (F461) x 20</p>	<p>F </p> <p>25mm Screw (F50) x 12</p>
<p>G </p> <p>Connecting Sleeve (F432) x 8</p>	<p>H </p> <p>Shelf stud (F110) x 12</p>	<p>I </p> <p>Handle (F273) x 6</p>
<p>J </p> <p>Hanging bracket (F849) x 6</p>	<p>K </p> <p>Wall bracket (F198) x 6</p>	
<p>L </p> <p>Hinge plate (F523) x 12</p>	<p>M </p> <p>Hinge (F518) x 12</p>	

Tools required

<p></p> <p>Rule</p>	<p></p> <p>Spirit level</p>	<p></p> <p>Eye protection (when using a hammer or drill)</p>	<p></p> <p>Cross-head screwdriver</p>	<p></p> <p>Electric drill (only use when drilling into walls)</p>	<p></p> <p>Step ladder</p>
<p></p> <p>Square</p>	<p></p> <p>Scissors</p>	<p></p> <p>Hammer</p>	<p></p> <p>Bradawl</p>		

Ruler - Use this ruler to help correctly identify the screws



Assembly Instructions

If you have damaged or missing components, call the Customer Helpline: 08456 400800 quoting the reference numbers below

Step 1

Prepare the left side

Screw 2 metal dowels **B** into the left side **1**.

Note: Tighten the metal dowels up fully against the panels.

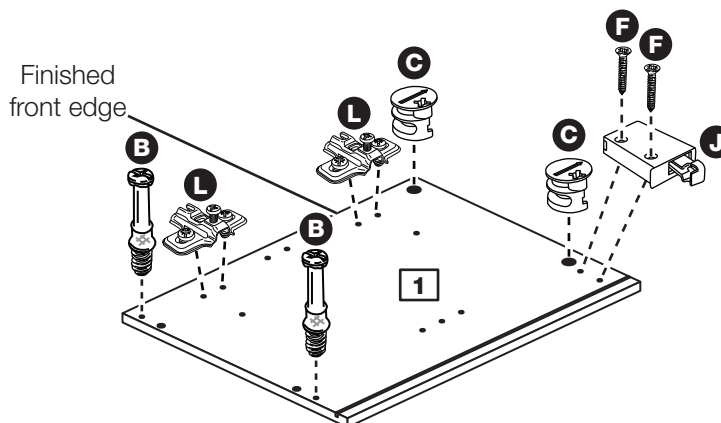
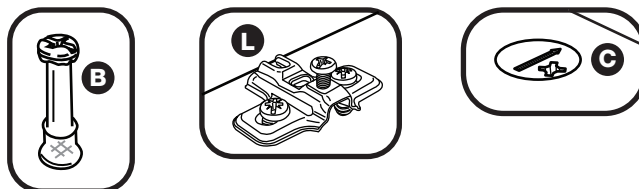
Insert 2 large locking nuts **C** into the left side **1**.

Note: The arrow on the locking nut **must** point towards the hole in the edge of the panel.

Fit 2 hinge plates **L** onto the left side **1**, making sure that the slot is facing towards the finished front edge.

Fit a hanging bracket **J** to the left side **1** using 2 screws **F**, making sure that the hook is towards the back edge.

These instructions will show you how to build 1 overbed cupboard



Step 2

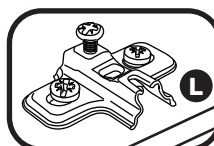
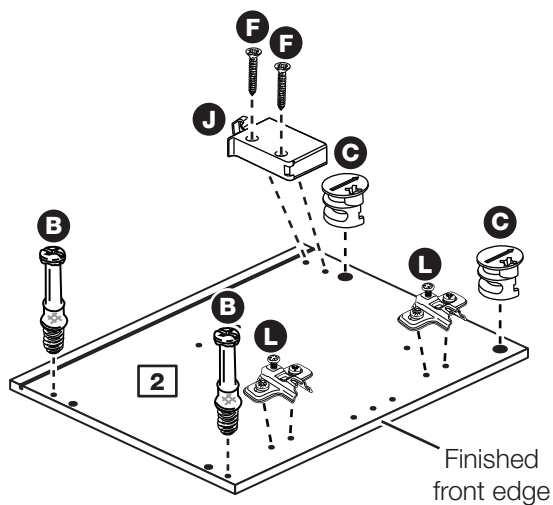
Prepare the right side

Screw 2 metal dowels **B** into the right side **2**.

Insert 2 large locking nuts **C** into the right side **2**.

Fit 2 hinge plates **L** onto the right side **2**, making sure that the slot is facing towards the finished front edge.

Fit a hanging bracket **J** to the right side **2** using 2 screws **F**, making sure that the hook is towards the back edge.



Assembly Instructions

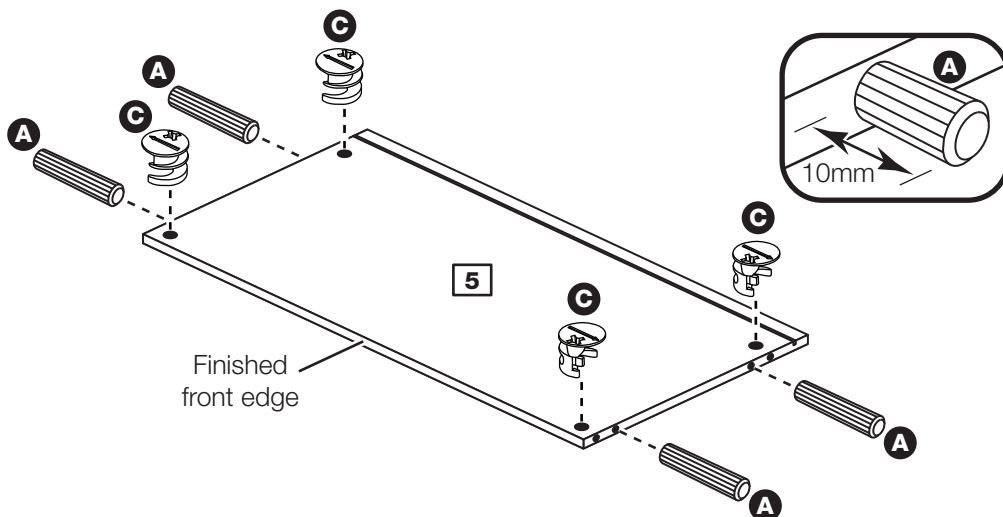
Step 3

Prepare the base

Tap 4 wooden dowels **A** into the base **5**.

Note: Wooden dowels **must not** stick out from the edge by more than 10mm or they may damage other panels.

Insert 4 large locking nuts **C** into the base **5**.



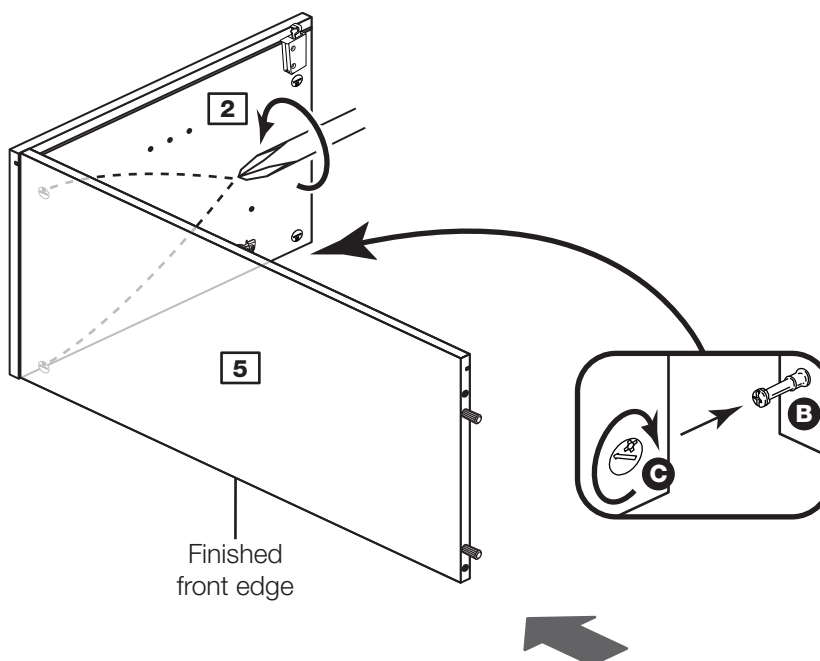
Step 4

Fit the base to the right side

Push the base **5** onto the right side **2**.

Use a screwdriver to tighten the 2 large locking nuts **C** fitted to the base **5**.

Note: Turn the large locking nuts **C** as far as they will go - more than 1/2 a turn.

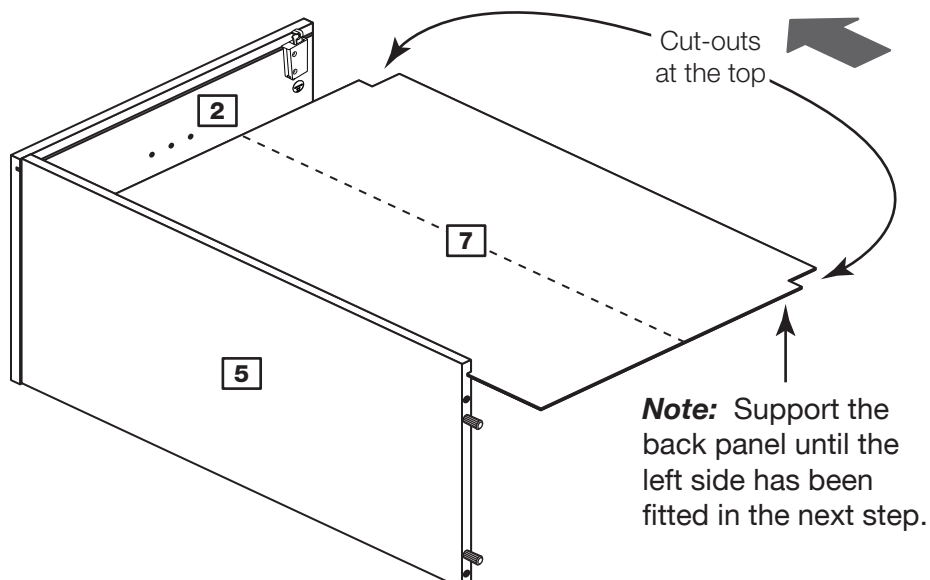


Step 5

Fit the back

Slide the back **7** along the groove in the base **5** and on into the groove in the right side **2**.

Important: Make sure that the cut-outs on the back **7** are at the top of the assembly.



Assembly Instructions

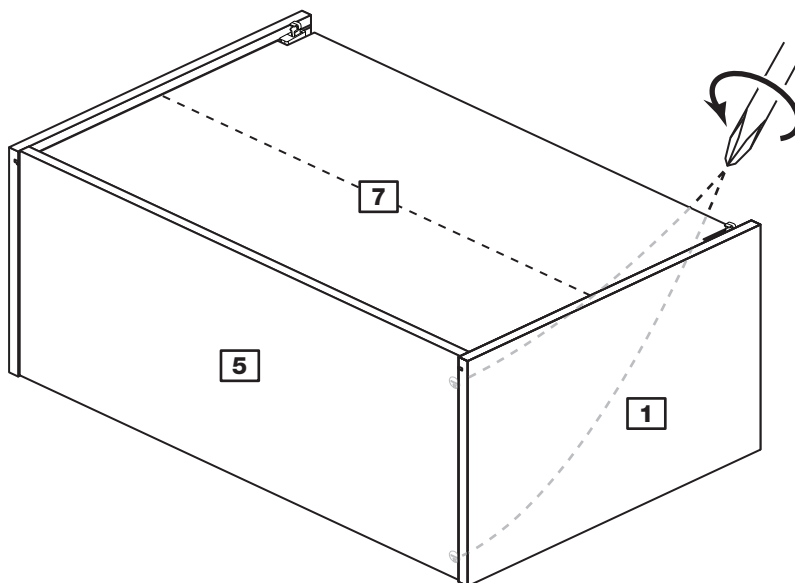
Step 6

Fit the left side

Push the left side **1** onto the base **5** making sure that the back **7** slots into the groove.

Use a screwdriver to tighten the 2 large locking nuts **C** fitted to the base **5**.

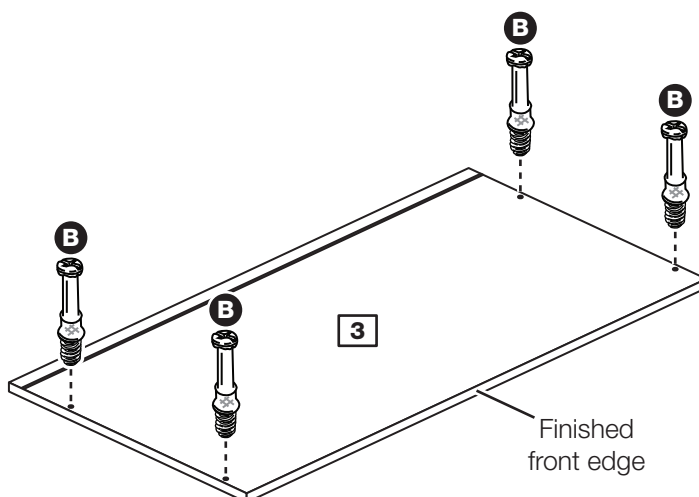
Hold the back **7** in place and carefully stand the unit up



Step 7

Prepare the top

Screw 4 metal dowels **B** into the top **3**.

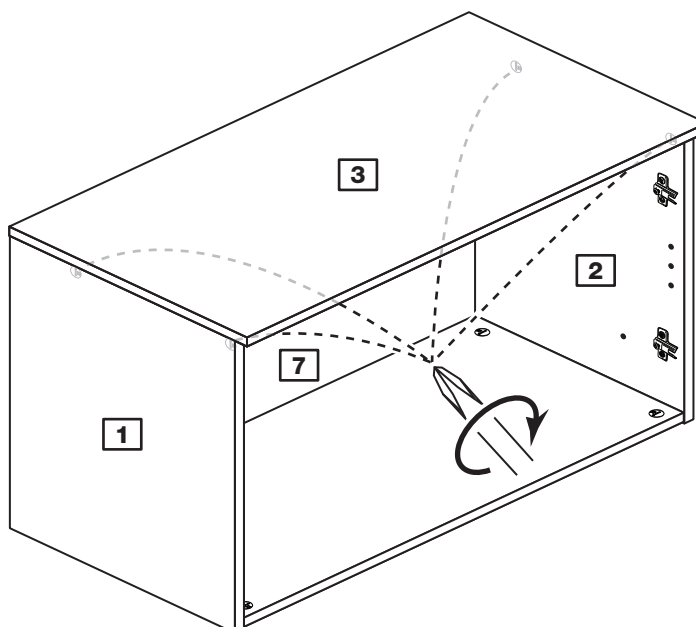


Step 8

Fit the top

Lower the top **3** down onto the assembly, making sure that the back **7** slots into its groove.

Use a screwdriver to tighten the 4 large locking nuts **C** fitted to the sides **1** and **2**.



Assembly Instructions

Step 9

Fit the unit to the wall

To fix the unit to the wall, place the unit in the required position and lightly mark the outline of the top corners of the unit with a pencil.

Fit the 2 wall brackets **K** to the dimensions shown in the top diagram.

The screws and plugs are not supplied as they need to be the correct type to suit your wall.



Warning: Take care when drilling the wall that you do not drill into any pipes, wires etc. If in doubt, consult an expert.

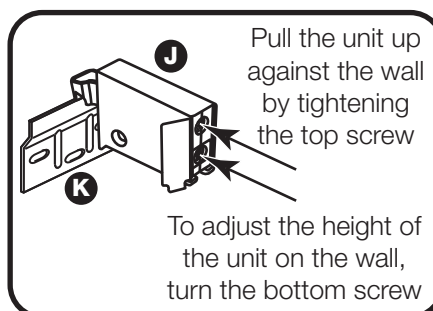
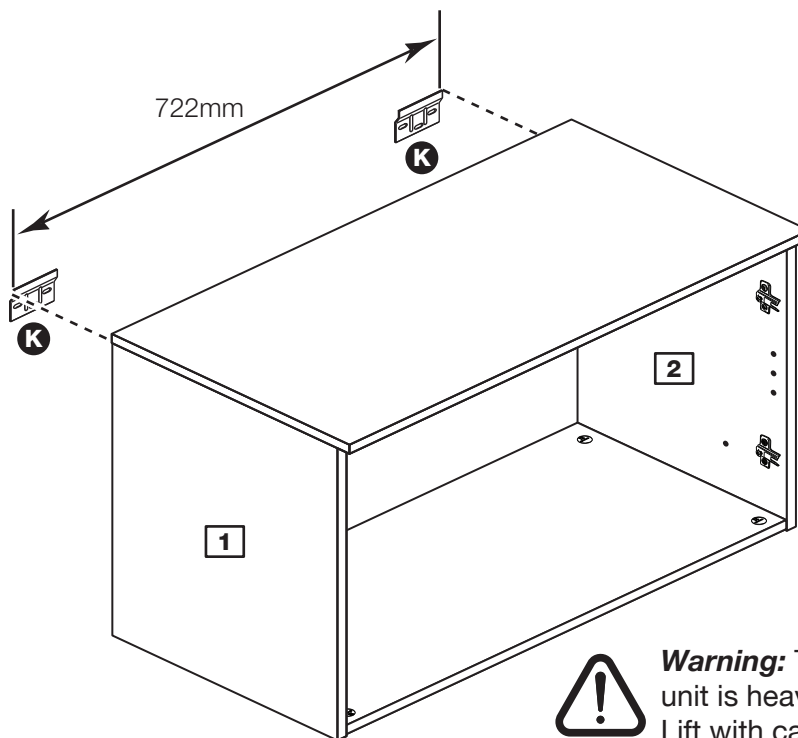
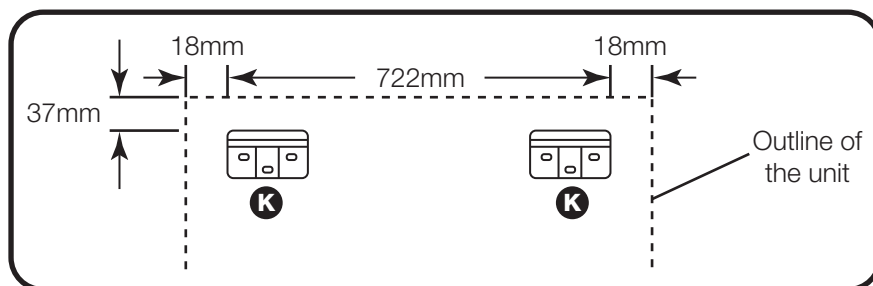
Place your unit onto the wall brackets **K**, via the hanging brackets **J** which you have fitted to the sides **1** and **2** of the unit.

Turn the lower screw in the wall brackets **J** to adjust the height of the unit.

Finally, pull the unit up against the wall by tightening the top screw in the hanging brackets **J**.

IMPORTANT

If you are fitting these cupboards between two robes or, a robe and a wall, please measure the space required to fit the cupboards and the height of the robe(s)



Assembly Instructions

Step 10

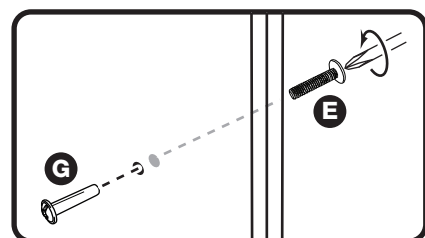
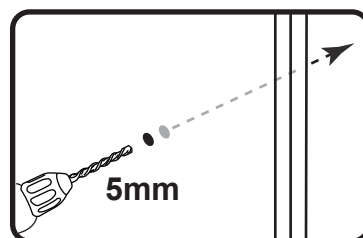
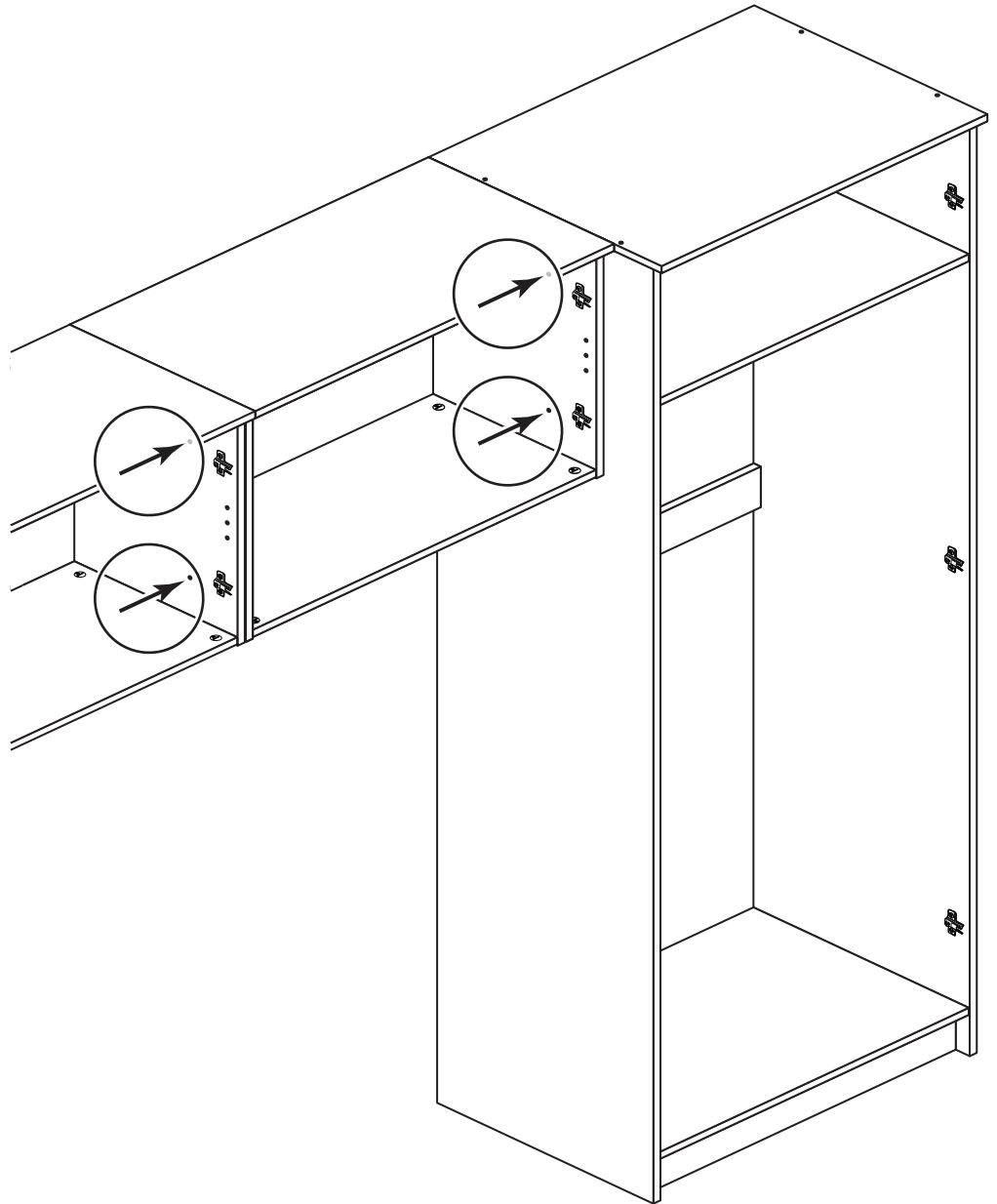
Joining units together

Fittings have been supplied so you are able to join the units together.

If required, position any robes that you have assembled up against the cupboards.

Using a 5mm drill bit, drill through the two 5mm part-drilled holes in the side panel into the adjoining side panel of the other unit.

Push the connecting sleeves **G** into the holes and then screw the screws **E** in from the other side.



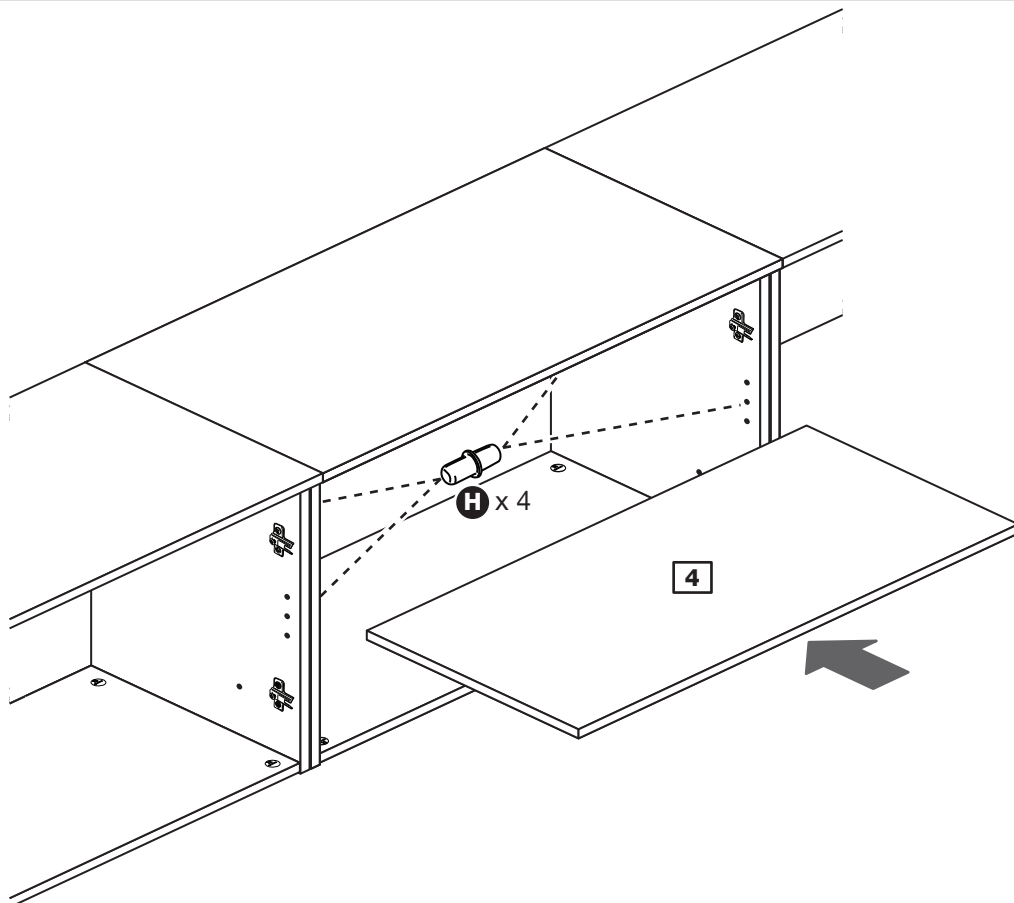
Assembly Instructions

Step 11

Fit the shelf

Insert 4 shelf studs **H** at the required height.

Lower the shelf **4** down onto the shelf studs **H**.



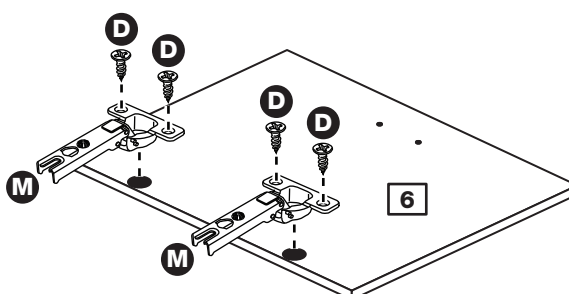
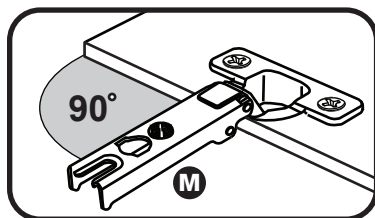
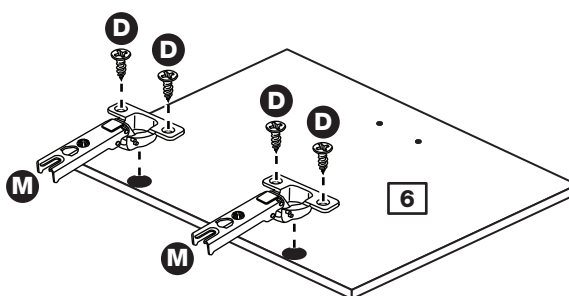
Step 12

Prepare the 2 doors

Push fit 2 hinges **M** into each of the doors **6**.

Secure each hinge with 2 screws **D**.

Note: Before securing with the screws, make sure that the hinges are positioned at 90 degrees with the edge of the door.



Assembly Instructions

Step 13

Fit doors and handles

Note: The easiest way to attach each door **6** is to fit the top hinge first, then align and fit the other hinge.

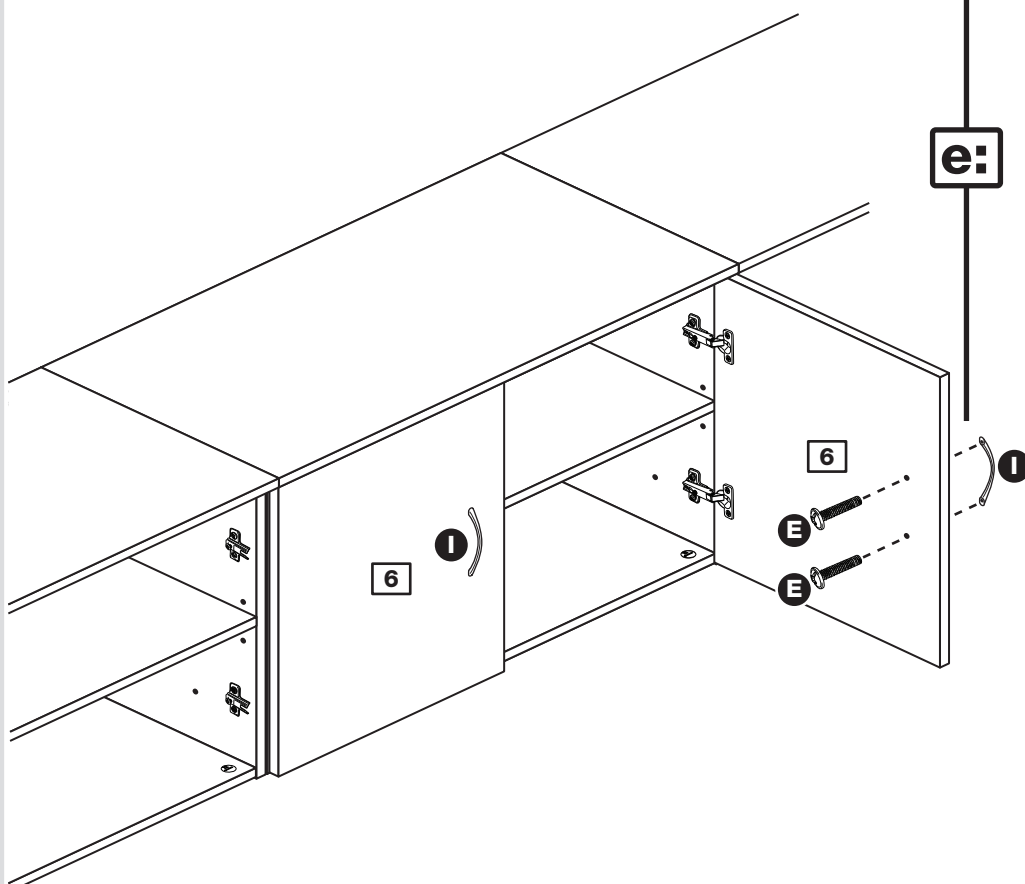
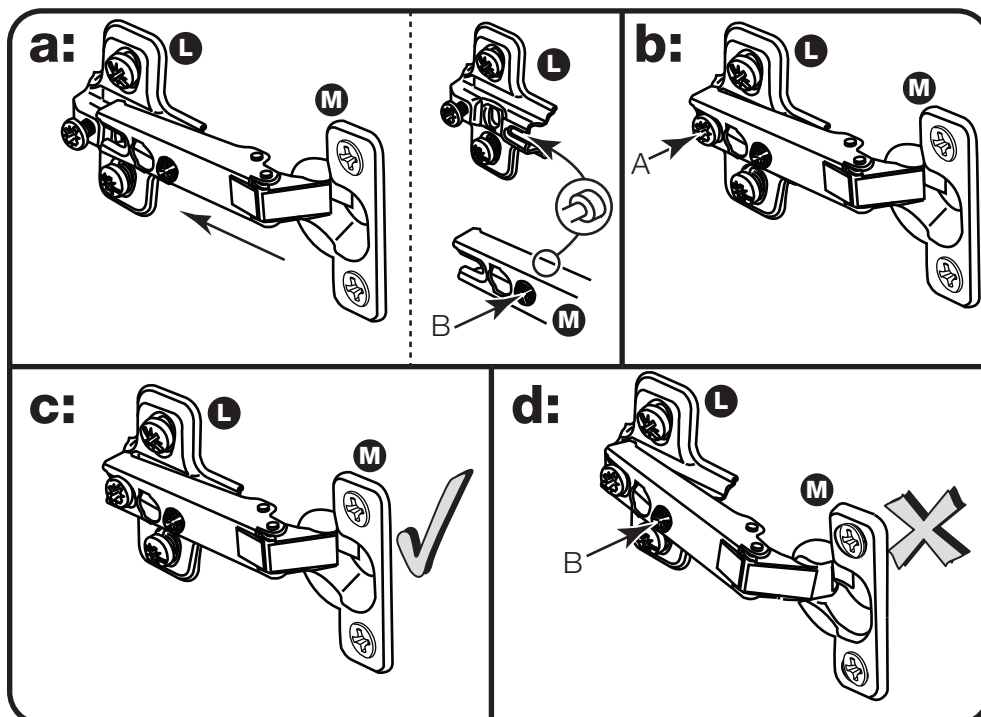
a: Push the hinge **M** onto the front part of the hinge plate **L**. The recess at the bottom of screw B goes into the slot in the hinge plate.

b: Keep the hinge **M** FLAT against the hinge plate **L** as you slide it across as far as it will go. Tighten screw A.

c: The hinge **M** must be flat against the hinge plate **L** prior to any adjustment.

d: The hinge **M** must NOT be AT AN ANGLE to the hinge plate **L** when assembled. This would indicate that the recess at the bottom of screw B had not located in the slot in the hinge plate and the hinge would not be secure. Remove the hinge from the hinge plate and then re-assemble being careful to follow instructions a-c.

e: Attach a handle **1** to each door **6** using 2 screws **E**.



Assembly Instructions

Step 14

Adjust the doors if needed

a: Before adjusting the doors, use a spirit level to check the base (or top) of the unit is level, front-to-back and side-to-side in the 3 positions shown. Use suitable packing pieces (not supplied) to make the unit level BEFORE making any adjustment to the hinges, as shown.

b: Height adjustment.

Loosen screws A on hinge plates and move door up or down as required. Retighten screw A.

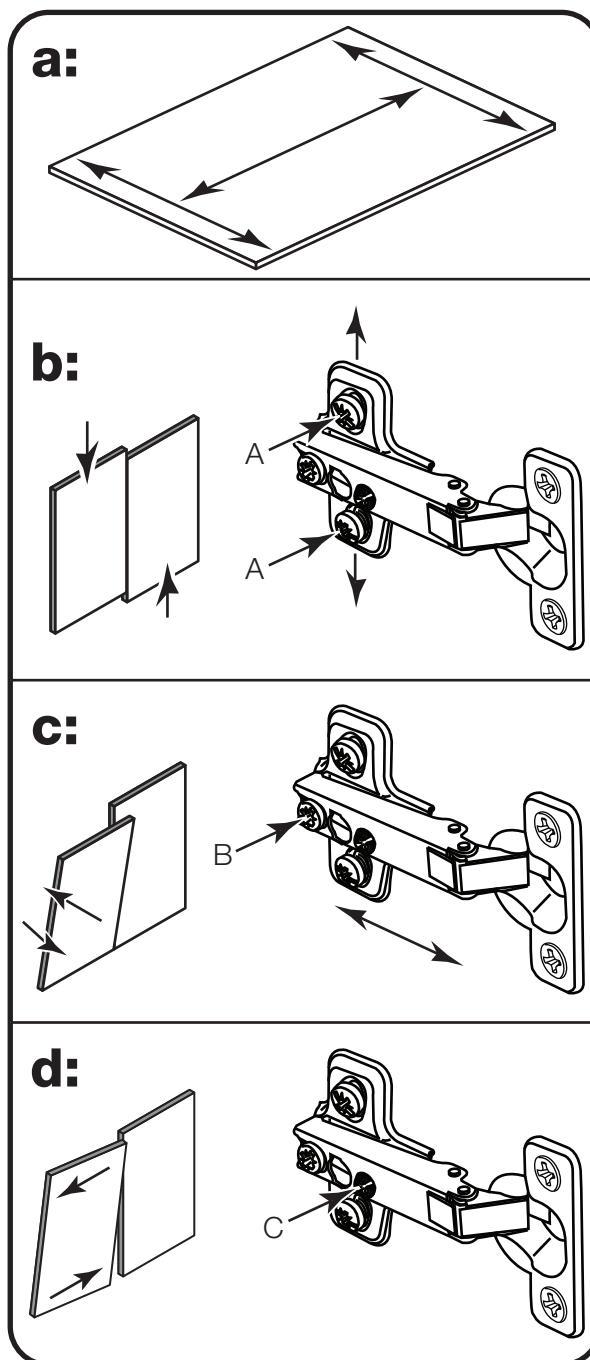
c: Forward and Back adjustment.

Loosen screw B on hinge plate and move door in or out as required. Retighten screw B.

d: Sideways adjustment.

To move door 'out' loosen screw C. To move door 'in' tighten screw C.

Assembly is complete



IMPORTANT
Refer back to the last step of the assembly instructions for the Robe(s) and fix the Robe(s) to the wall.

If you need help or have damaged or missing parts, call the Customer Helpline: 08456 400800 and quote the reference numbers on the component pages.

Argos Ltd, 489-499 Avebury Boulevard, Central Milton Keynes, MK9 2NW

Cheval - Overbed Cupboards

Assembly Instructions - Please keep for future reference

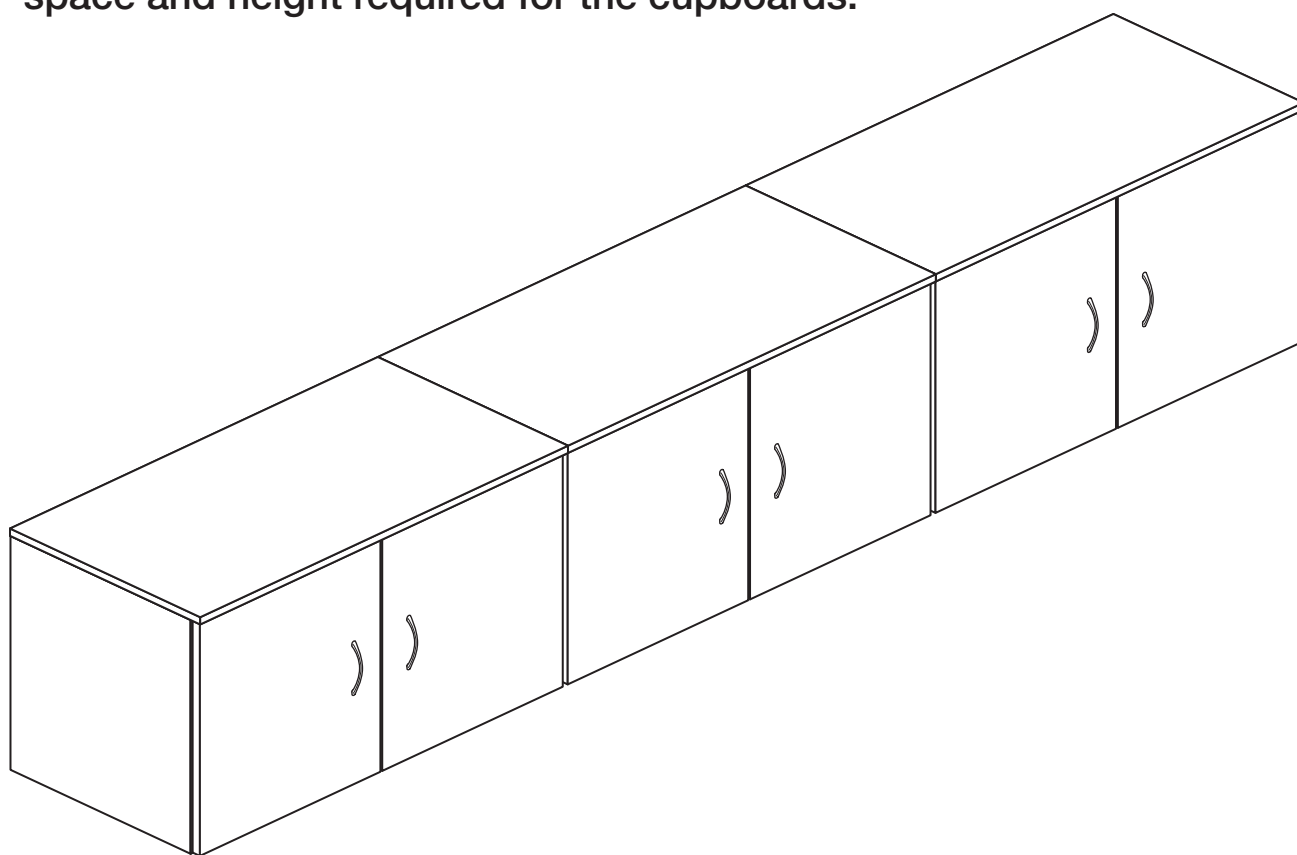
147/5634

144/1390

151/3314

146/9918

We recommend that you assemble any Cheval Robe(s) you may have purchased **BEFORE** you assemble these cupboards. This will enable you to measure the correct space and height required for the cupboards.



Dimensions of each cupboard

Width - 76cm

Depth - 39.5cm

Height - 50cm



**MADE IN
BRITAIN**

Important - Please read these instructions fully before starting assembly

If you need help or have damaged or missing parts, call the **Customer Helpline: 03456 400800**



Safety and Care Advice

Important - Please read these instructions fully before starting assembly

- **Warning:** The combined weight of the units is approximately 47kgs. Please lift with care.

- Check you have all the components and tools listed on pages 2 and 3.

- Remove all fittings from the plastic bags and separate them into their groups.

- Keep children and animals away from the work area, small parts could choke if swallowed.

- Parts of the assembly will be easier with 2 people.

- Make sure you have enough space to layout the parts before starting.

- Do not stand or put weight on the product, this could cause damage.

- Assemble the item as close to its final position (in the same room) as possible.

- Assemble on a soft level surface to avoid damaging the unit or your floor (use opened out unit carton).



- We do not recommend the use of power drill/drivers **for inserting screws**, as this could damage the unit. Only use hand screwdrivers.

- **Safety note:** It is recommended that this unit is secured to a wall using the brackets supplied.

- Dispose of all packaging carefully and responsibly.

Care and maintenance

- Only clean using a damp cloth and mild detergent, do not use bleach or abrasive cleaners.

- From time to time check that there are no loose screws on this unit.

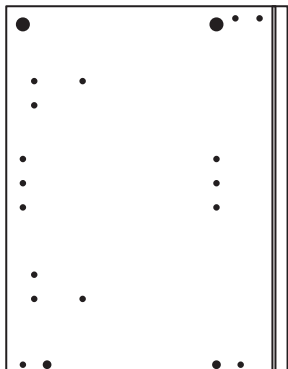
- This product should not be discarded with household waste. Take to your local authority waste disposal centre.

Note: If required the next page can be cut out and used as reference throughout the assembly. Keep this page with these instructions for future reference.

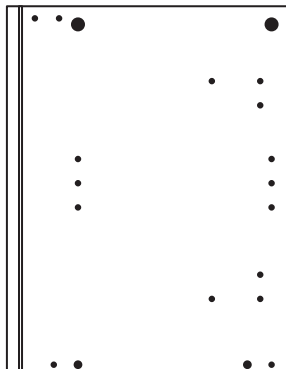
Components - Panels

If you have damaged or missing components, call the **Customer Helpline: 03456 400800** quoting the reference numbers below

Please check you have all the panels listed below



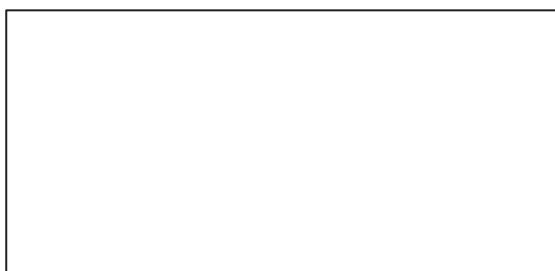
1 Left Side (D2761B)
(484 x 372mm) x 3



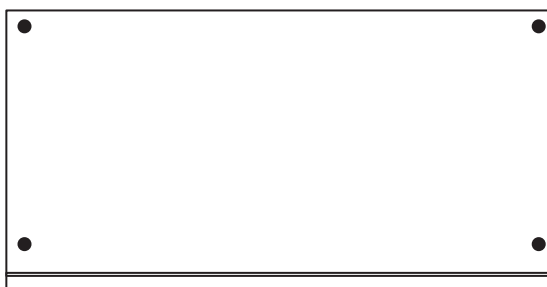
2 Right Side (D2762B)
(484 x 372mm) x 3



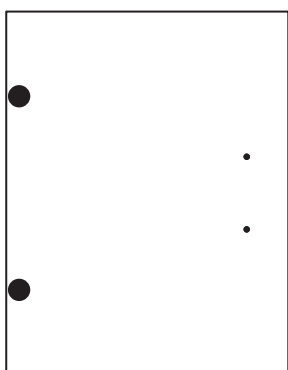
3 Top (D2763A)
(760 x 393mm) x 3



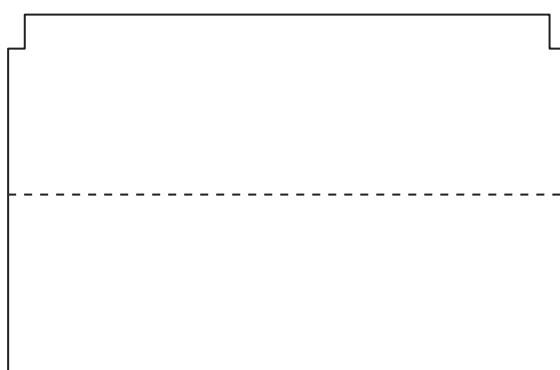
4 Shelf (D2773A)
(727 x 350mm) x 3



5 Base (D2764A)
(728 x 371mm) x 3



6 Door (D2765A)
(480 x 373mm) x 6



7 Back (X738-476)
(738 x 476mm) x 3

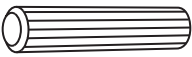
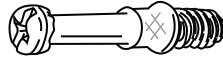



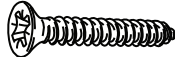
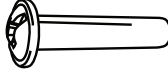
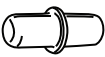

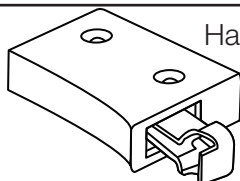
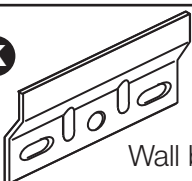
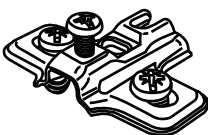
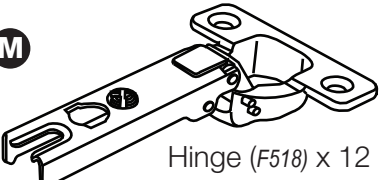


Components - Fittings


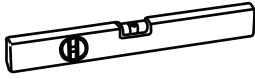

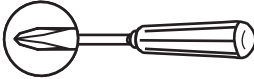

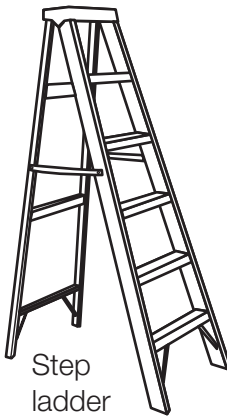
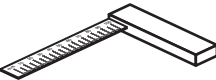


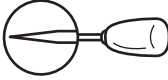
If you have damaged or missing components, call the **Customer Helpline: 03456 400800** quoting the reference numbers below

Please check you have all the fittings listed below

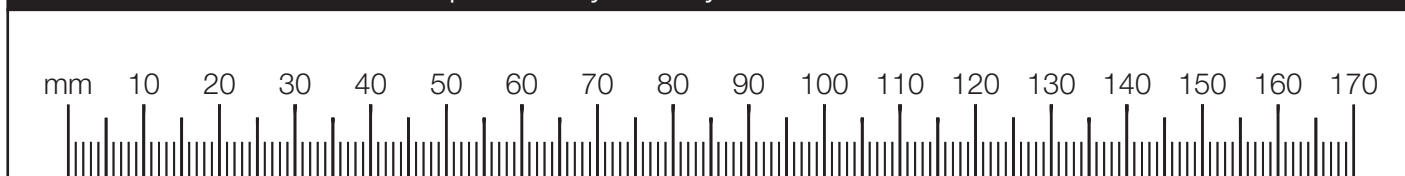
Note: The quantities below are the correct amount to complete the assembly. In some cases more fittings may be supplied than are required.

<p>A </p> <p>Wooden dowel (F22) x 12</p>	<p>B </p> <p>Metal dowel (F901) x 24</p>	<p>C </p> <p>Large locking nut (F900) x 24</p>
<p>D </p> <p>13mm Screw (F63) x 24</p>	<p>E </p> <p>19mm Screw (F461) x 20</p>	<p>F </p> <p>25mm Screw (F50) x 12</p>
<p>G </p> <p>Connecting Sleeve (F432) x 8</p>	<p>H </p> <p>Shelf stud (F110) x 12</p>	<p>I </p> <p>Handle (F273) x 6</p>
<p>J </p> <p>Hanging bracket (F181) x 6</p>	<p>K </p> <p>Wall bracket (F198) x 6</p>	
<p>L </p> <p>Hinge plate (F523) x 12</p>	<p>M </p> <p>Hinge (F518) x 12</p>	

Tools required

<p></p> <p>Rule</p>	<p></p> <p>Spirit level</p>	<p></p> <p>Eye protection (when using a hammer or drill)</p>	<p></p> <p>Cross-head screwdriver</p>	<p></p> <p>Electric drill (only use when drilling into walls)</p>	<p></p> <p>Step ladder</p>
<p></p> <p>Square</p>	<p></p> <p>Scissors</p>	<p></p> <p>Hammer</p>	<p></p> <p>Bradawl</p>		

Ruler - Use this ruler to help correctly identify the screws



Assembly Instructions

If you have damaged or missing components, call the
Customer Helpline: 03456 400800 quoting the reference
numbers below

Step 1

Prepare the left side

Screw 2 metal dowels **B** into the left side **1**.

Note: Tighten the metal dowels up fully against the panels.

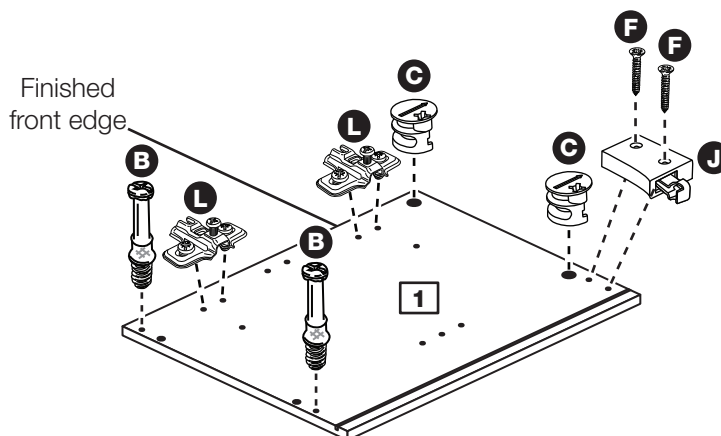
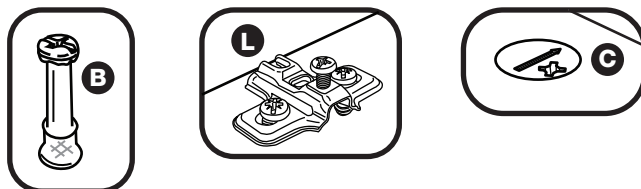
Insert 2 large locking nuts **C** into the left side **1**.

Note: The arrow on the locking nut **must** point towards the hole in the edge of the panel.

Fit 2 hinge plates **L** onto the left side **1**, making sure that the slot is facing towards the finished front edge.

Fit a hanging bracket **J** to the left side **1** using 2 screws **F**, making sure that the hook is towards the back edge.

These instructions will show you how to build 1 overbed cupboard



Step 2

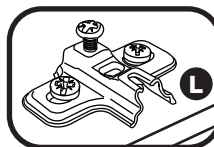
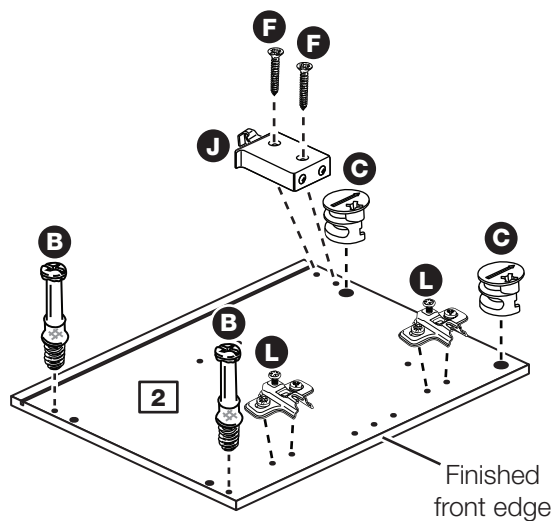
Prepare the right side

Screw 2 metal dowels **B** into the right side **2**.

Insert 2 large locking nuts **C** into the right side **2**.

Fit 2 hinge plates **L** onto the right side **2**, making sure that the slot is facing towards the finished front edge.

Fit a hanging bracket **J** to the right side **2** using 2 screws **F**, making sure that the hook is towards the back edge.



Assembly Instructions

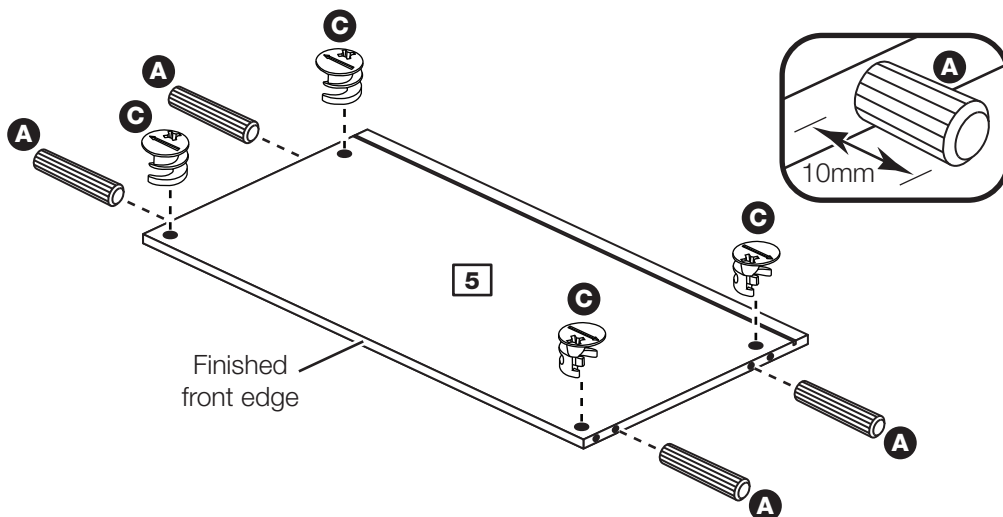
Step 3

Prepare the base

Tap 4 wooden dowels **A** into the base **5**.

Note: Wooden dowels **must not** stick out from the edge by more than 10mm or they may damage other panels.

Insert 4 large locking nuts **C** into the base **5**.



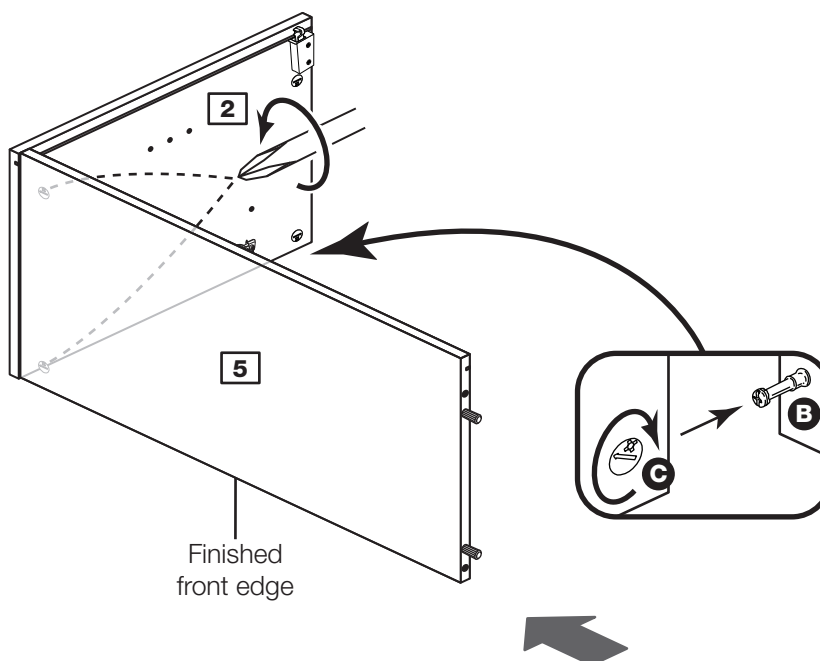
Step 4

Fit the base to the right side

Push the base **5** onto the right side **2**.

Use a screwdriver to tighten the 2 large locking nuts **C** fitted to the base **5**.

Note: Turn the large locking nuts **C** as far as they will go - more than 1/2 a turn.

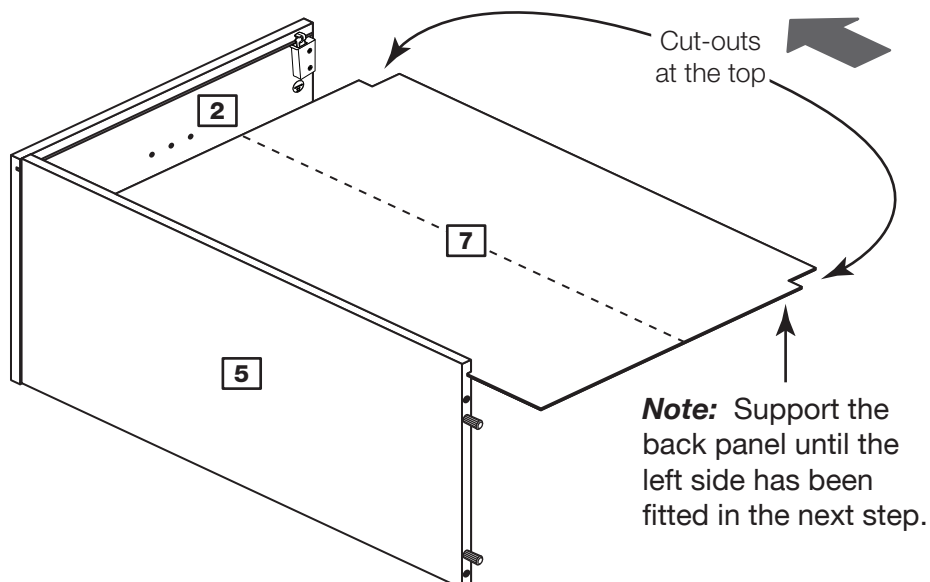


Step 5

Fit the back

Slide the back **7** along the groove in the base **5** and on into the groove in the right side **2**.

Important: Make sure that the cut-outs on the back **7** are at the top of the assembly.



Assembly Instructions

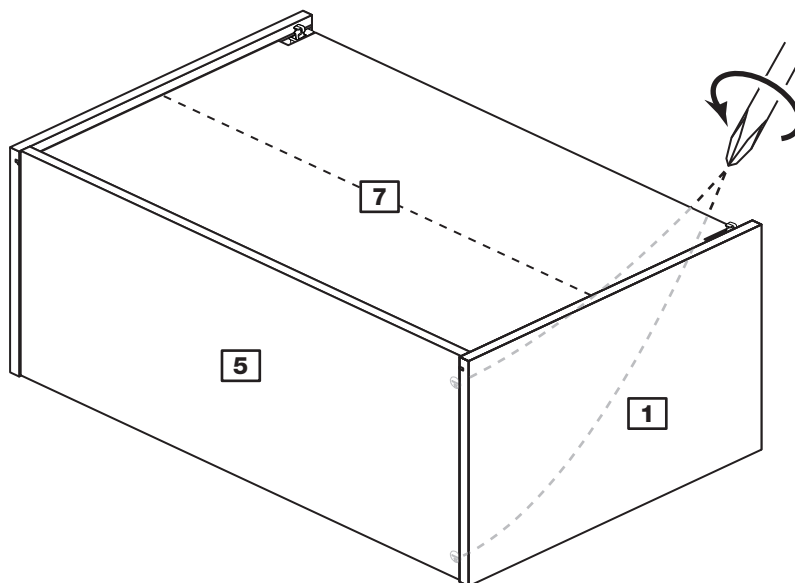
Step 6

Fit the left side

Push the left side **1** onto the base **5** making sure that the back **7** slots into the groove.

Use a screwdriver to tighten the 2 large locking nuts **C** fitted to the base **5**.

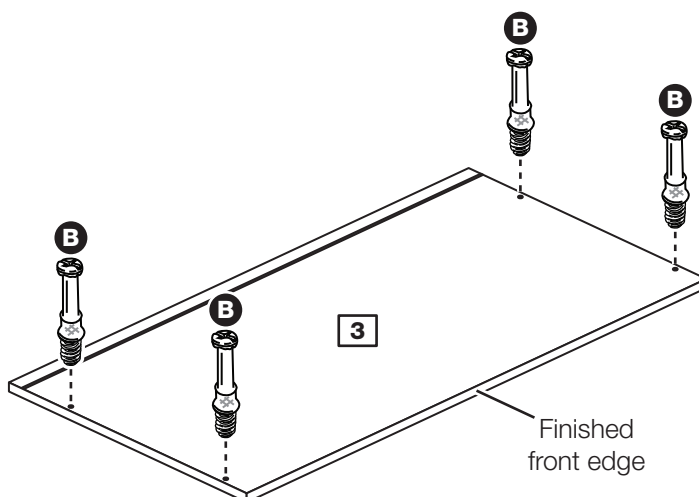
Hold the back **7** in place and carefully stand the unit up



Step 7

Prepare the top

Screw 4 metal dowels **B** into the top **3**.

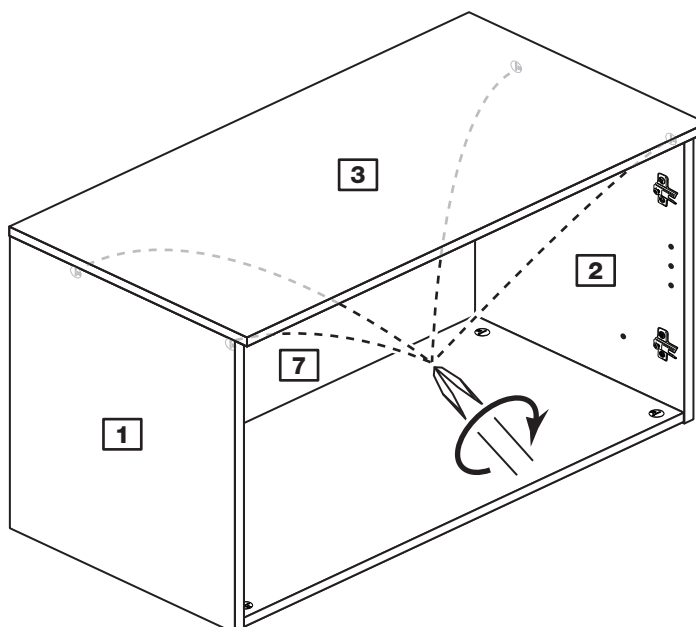


Step 8

Fit the top

Lower the top **3** down onto the assembly, making sure that the back **7** slots into its groove.

Use a screwdriver to tighten the 4 large locking nuts **C** fitted to the sides **1** and **2**.



Assembly Instructions

Step 9

Fit the unit to the wall

To fix the unit to the wall, place the unit in the required position and lightly mark the outline of the top corners of the unit with a pencil.

Fit the 2 wall brackets **K** to the dimensions shown in the top diagram. The screws and plugs are not supplied as they need to be the correct type to suit your wall.



Warning: Take care when drilling the wall that you do not drill into any pipes, wires etc. If in doubt, consult an expert.

Place your unit onto the wall brackets **K**, via the hanging brackets **J** which you have fitted to the sides **1** and **2** of the unit.

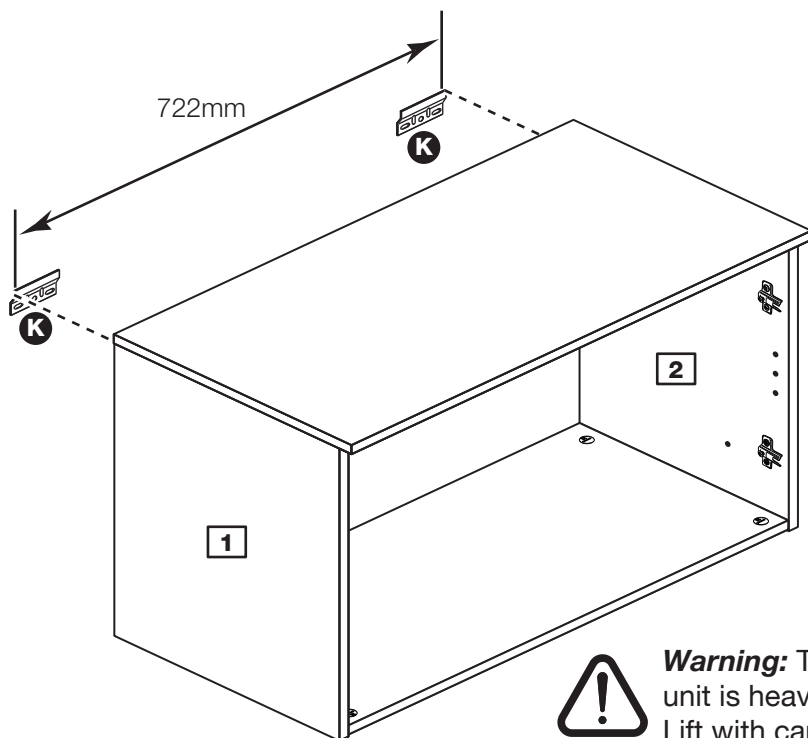
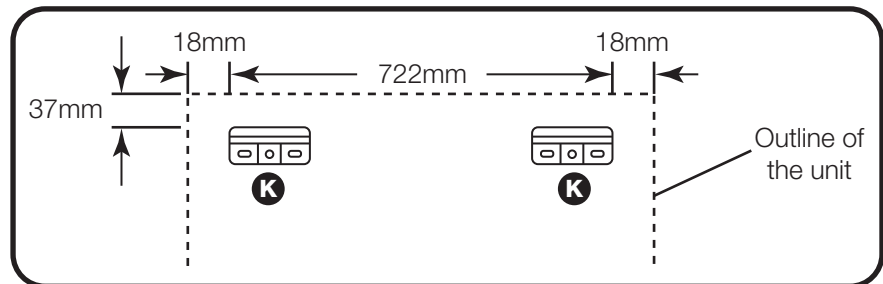
Turn the top screw in the wall brackets **J** to adjust the height of the unit.

Finally, pull the unit up against the wall by tightening the bottom screw in the hanging brackets **J**.

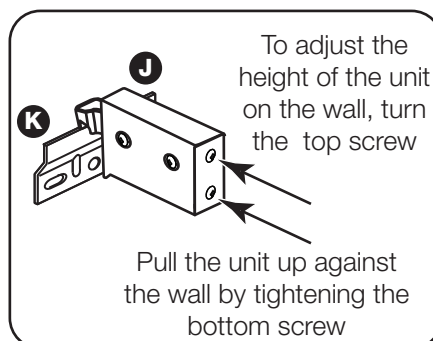
IMPORTANT

If you are fitting these cupboards between two robes or, a robe and a wall, please measure the space required to fit the cupboards and the height of the robe(s)

Note: The diagrams show the wall brackets with 3 holes. They can also be supplied with just 2 holes.



Warning: The unit is heavy. Lift with care.



Assembly Instructions

Step 10

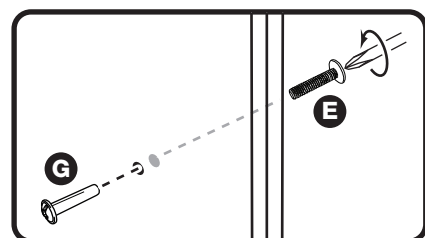
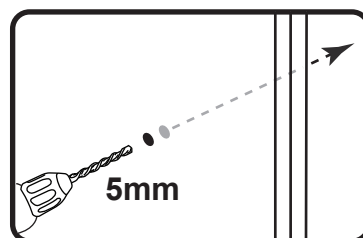
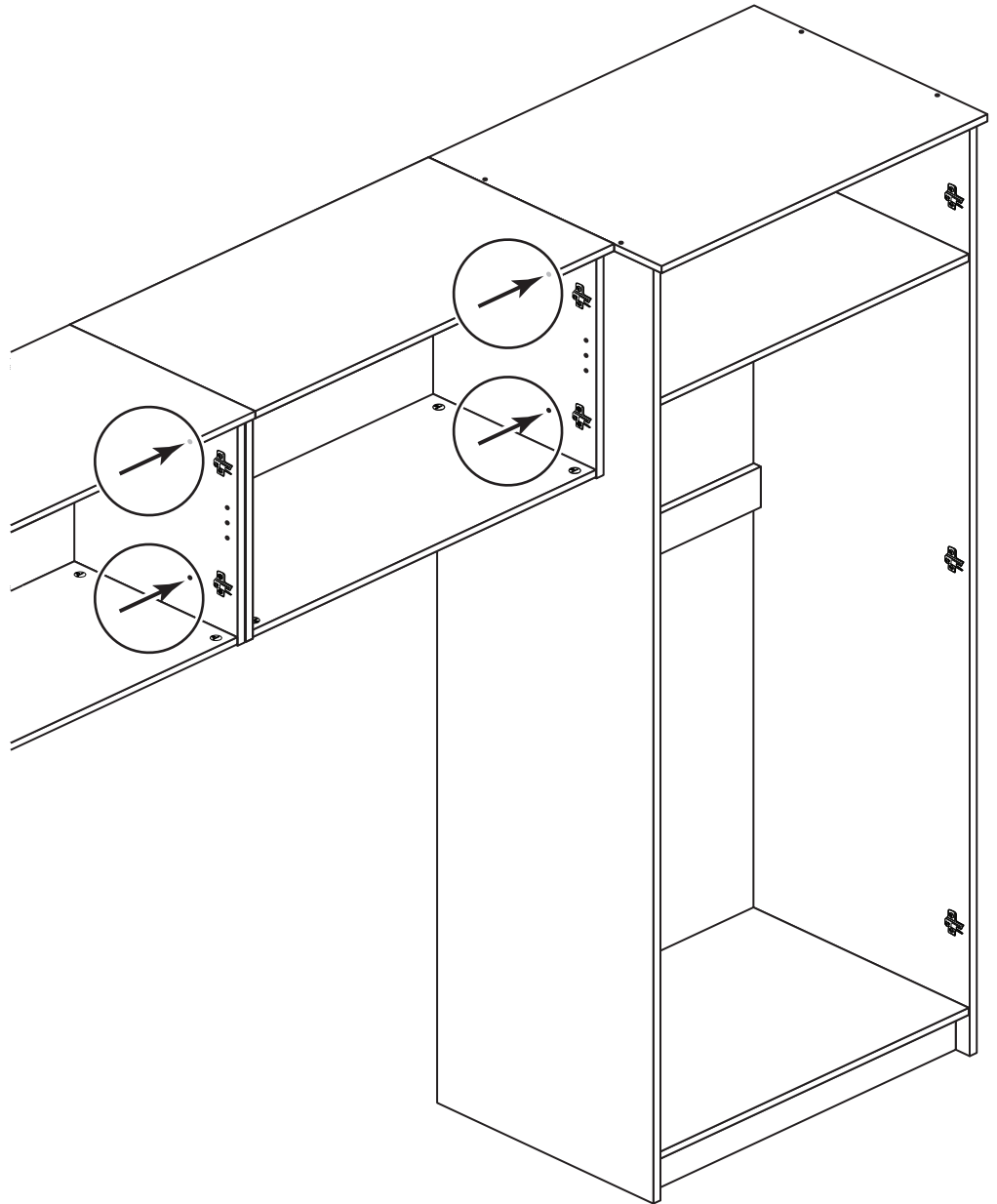
Joining units together

Fittings have been supplied so you are able to join the units together.

If required, position any robes that you have assembled up against the cupboards.

Using a 5mm drill bit, drill through the two 5mm part-drilled holes in the side panel into the adjoining side panel of the other unit.

Push the connecting sleeves **G** into the holes and then screw the screws **E** in from the other side.



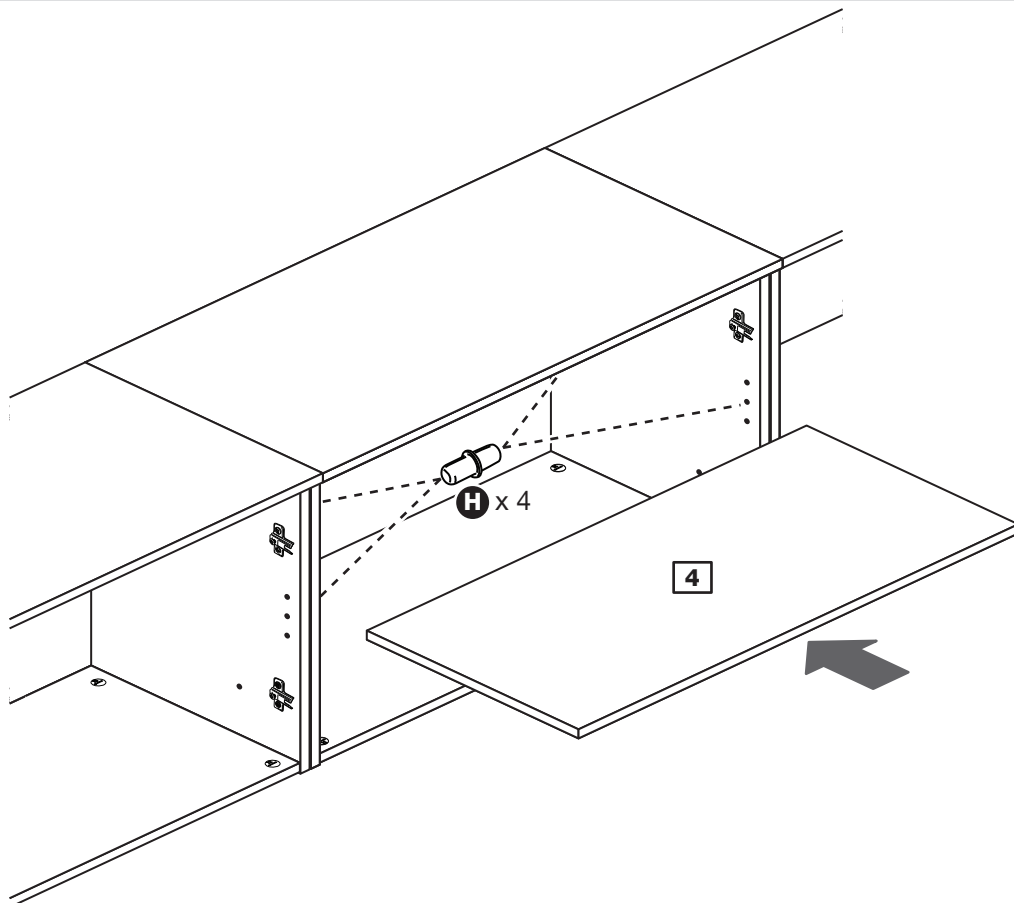
Assembly Instructions

Step 11

Fit the shelf

Insert 4 shelf studs **H** at the required height.

Lower the shelf **4** down onto the shelf studs **H**.



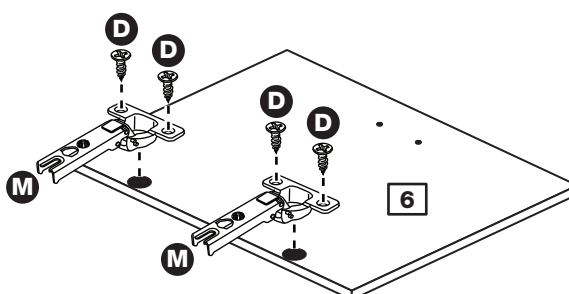
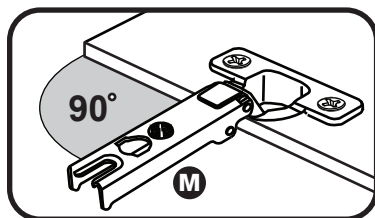
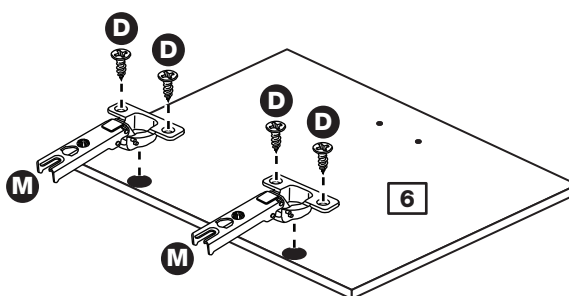
Step 12

Prepare the 2 doors

Push fit 2 hinges **M** into each of the doors **6**.

Secure each hinge with 2 screws **D**.

Note: Before securing with the screws, make sure that the hinges are positioned at 90 degrees with the edge of the door.



Assembly Instructions

Step 13

Fit doors and handles

Note: The easiest way to attach each door **6** is to fit the top hinge first, then align and fit the other hinge.

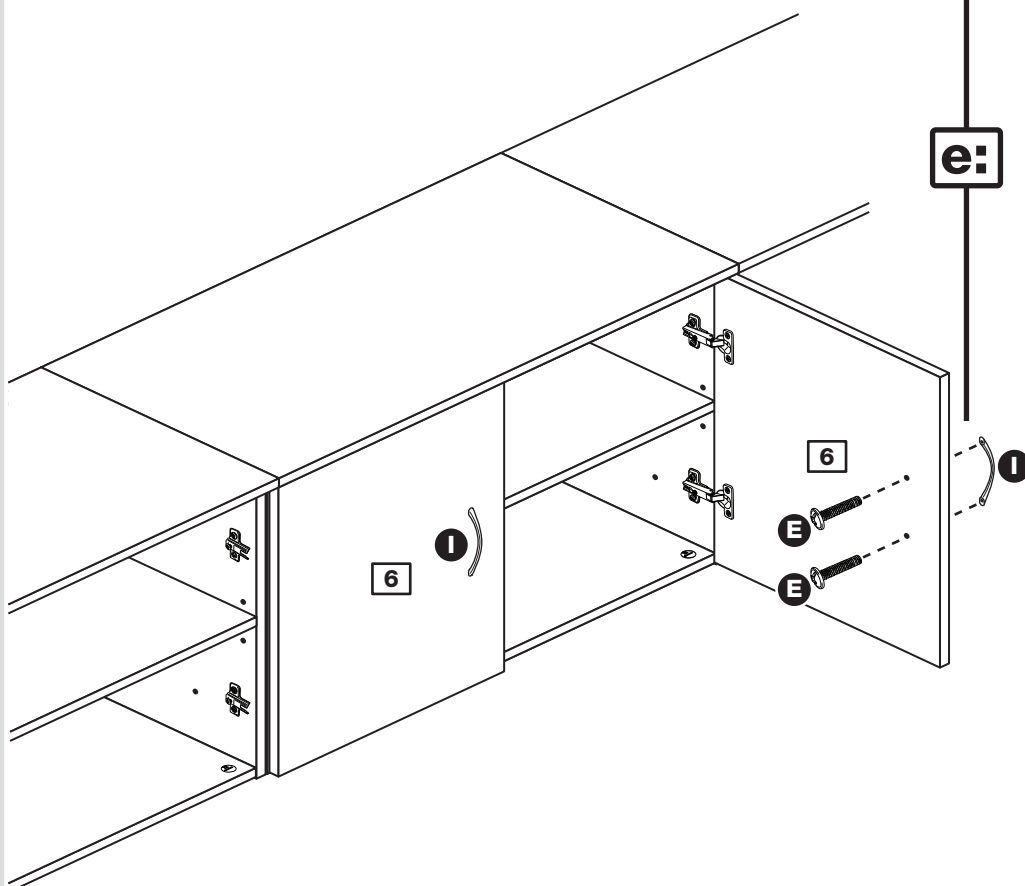
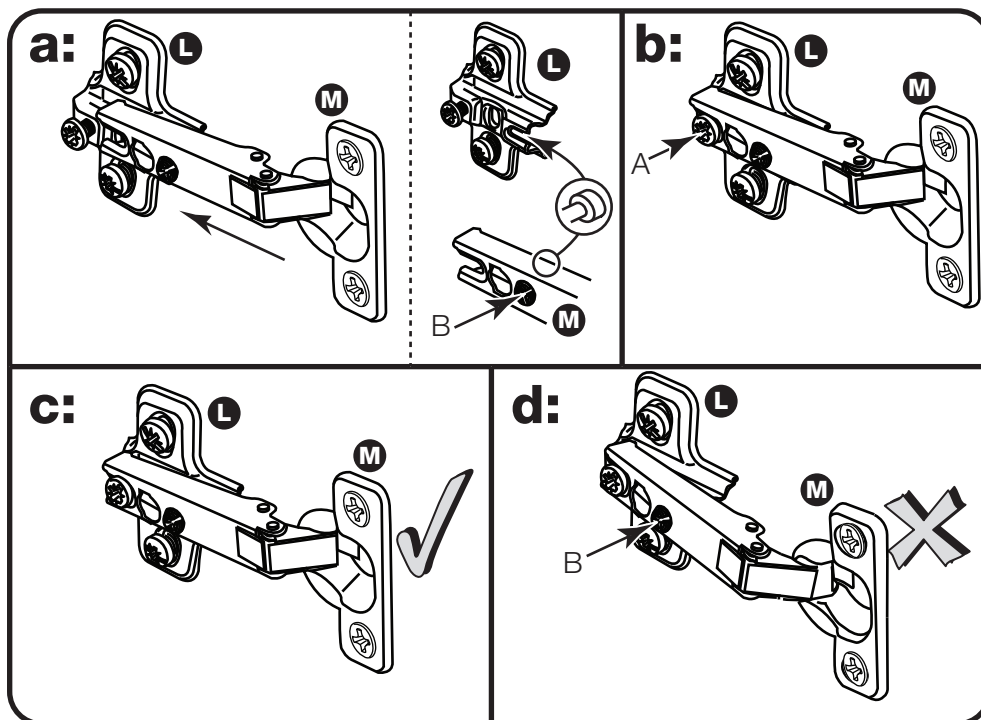
a: Push the hinge **M** onto the front part of the hinge plate **L**. The recess at the bottom of screw B goes into the slot in the hinge plate.

b: Keep the hinge **M** FLAT against the hinge plate **L** as you slide it across as far as it will go. Tighten screw A.

c: The hinge **M** must be flat against the hinge plate **L** prior to any adjustment.

d: The hinge **M** must NOT be AT AN ANGLE to the hinge plate **L** when assembled. This would indicate that the recess at the bottom of screw B had not located in the slot in the hinge plate and the hinge would not be secure. Remove the hinge from the hinge plate and then re-assemble being careful to follow instructions a-c.

e: Attach a handle **1** to each door **6** using 2 screws **E**.



Assembly Instructions

Step 14

Adjust the doors if needed

a: Before adjusting the doors, use a spirit level to check the base (or top) of the unit is level, front-to-back and side-to-side in the 3 positions shown. Use suitable packing pieces (not supplied) to make the unit level BEFORE making any adjustment to the hinges, as shown.

b: Height adjustment.

Loosen screws A on hinge plates and move door up or down as required. Retighten screw A.

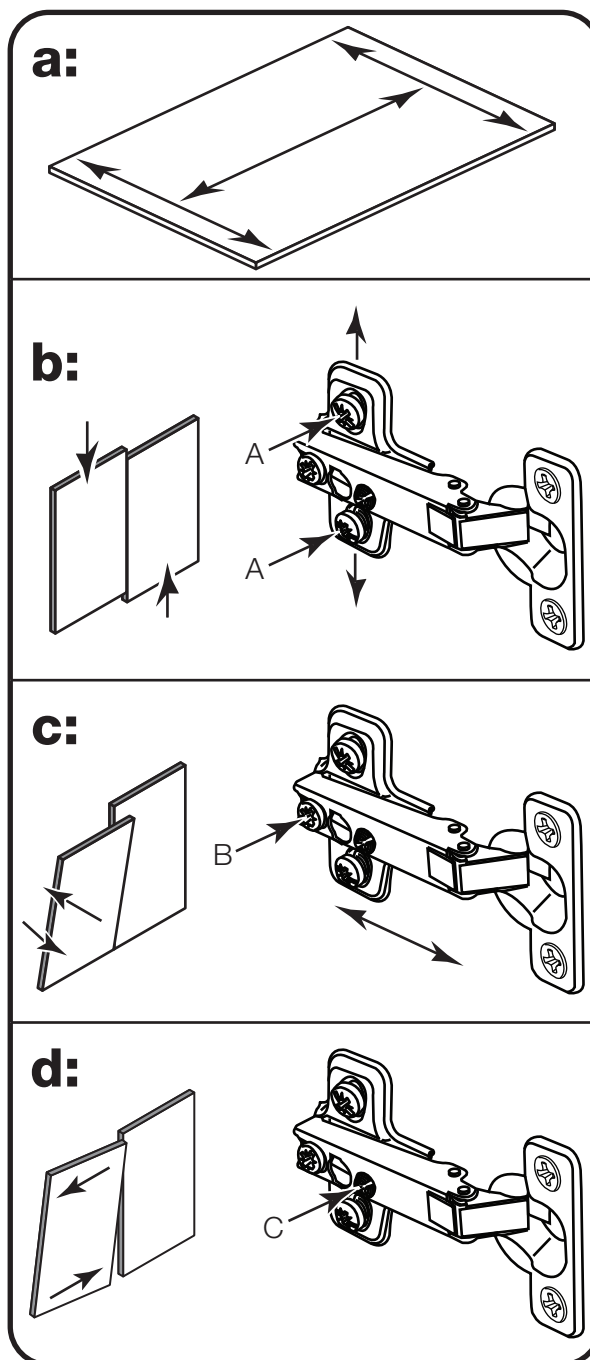
c: Forward and Back adjustment.

Loosen screw B on hinge plate and move door in or out as required. Retighten screw B.

d: Sideways adjustment.

To move door 'out' loosen screw C. To move door 'in' tighten screw C.

Assembly is complete



IMPORTANT
Refer back to the last step of the assembly instructions for the Robe(s) and fix the Robe(s) to the wall.

If you need help or have damaged or missing parts, call the Customer Helpline: 03456 400800 and quote the reference numbers on the component pages.

Argos Ltd, 489-499 Avebury Boulevard, Central Milton Keynes, MK9 2NW