

# Cheval - 2 Door Mirror Robe

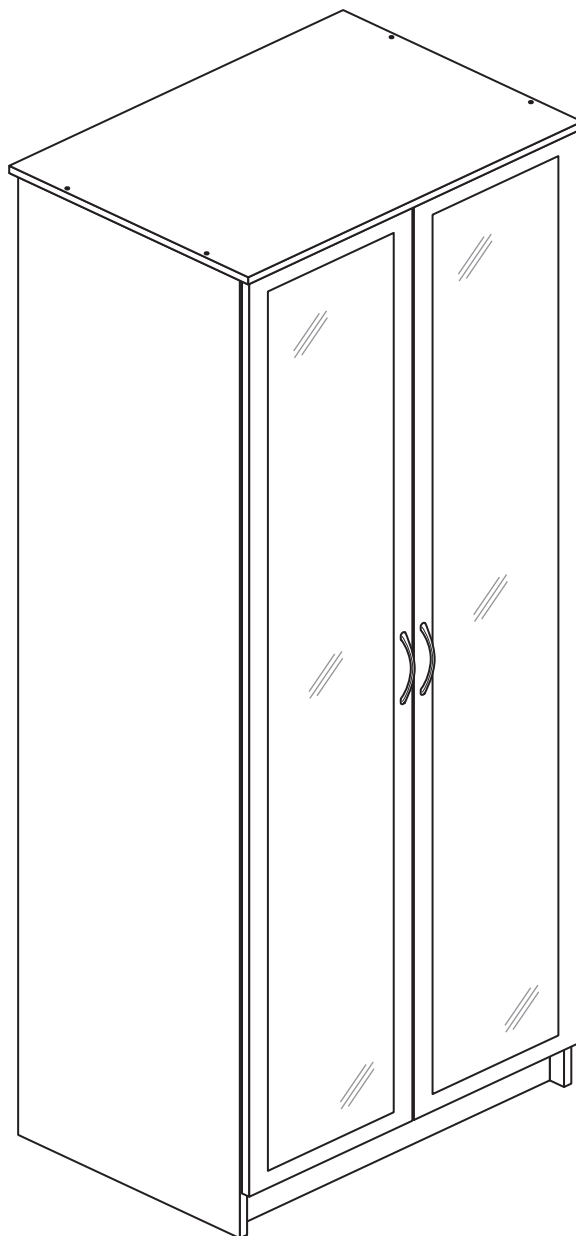
Assembly Instructions - Please keep for future reference

147/8985

151/3091

151/7626

147/4549



## Dimensions

Width - 69cm

Depth - 49.5cm

Height - 200cm



**MADE IN  
BRITAIN**

**Important** - Please read these instructions fully before starting assembly

If you need help or have damaged or missing parts, call the **Customer Helpline: 08456 400800**



# Safety and Care Advice

**Important - Please read these instructions fully before starting assembly**

- **Warning:** This unit weighs approximately 52kgs. Please lift with care.

- Check you have all the components and tools listed on pages 2 and 3.

- Remove all fittings from the plastic bags and separate them into their groups.

- Keep children and animals away from the work area, small parts could choke if swallowed.

- Parts of the assembly will be easier with 2 people.

- Make sure you have enough space to layout the parts before starting.

- Do not stand or put weight on the product, this could cause damage.

- Assemble the item as close to its final position (in the same room) as possible.

- Assemble on a soft level surface to avoid damaging the unit or your floor (use opened out unit carton).



- We do not recommend the use of power drill/drivers **for inserting screws**, as this could damage the unit. Only use hand screwdrivers.

- **Safety note:** It is recommended that this unit is secured to a wall using the bracket supplied.

- Dispose of all packaging carefully and responsibly.

## Care and maintenance

- Only clean using a damp cloth and mild detergent, do not use bleach or abrasive cleaners.

- From time to time check that there are no loose screws on this unit.

- This product should not be discarded with household waste. Take to your local authority waste disposal centre.

### **IMPORTANT INFORMATION ABOUT THIS PRODUCT**

This product complies with the requirements of BS 7449:1991 and has been manufactured by DECORATIVE PANELS FURNITURE LTD, TEESIDE INDUSTRIAL ESTATE, THORNABY-ON-TEES, CLEVELAND, TS17 9LT.

The product code for this unit and the item code(s) for the glass components are listed in the Assembly Instructions along with a description of the type of glass used. All clear/tinted glass complies with the requirements of BS 6206 Class A. All mirrors comply with the requirements of BS 6206 Class C. If the glass component contained in this unit is chipped or broken consult the furniture manufacturer, retailer, or agent with regard to obtaining a manufacturing specification and shape for replacement glass quoting the unit description and batch number or date of manufacture.

Do not place very hot or very cold items against or in close proximity to glass surface(s) unless adequately thick insulating material is used to prevent such items coming in contact with the glass.

Do not strike the glass with hard or pointed items.

Do not sit or stand upon horizontal glass surfaces.

When cleaning glass panels use a damp cloth or leather with washing up liquid or soft soap if necessary - do not use washing powders or any other substance containing abrasives since these substances scratch glass.

If stated in the instruction leaflet, it is essential that this unit is fixed to a wall.

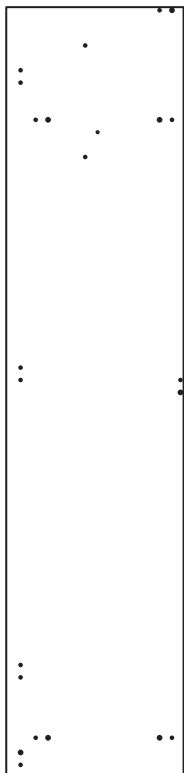
**KEEP THESE INSTRUCTIONS FOR FUTURE USE**

**Note:** If required the next page can be cut out and used as reference throughout the assembly. Keep this page with these instructions for future reference.

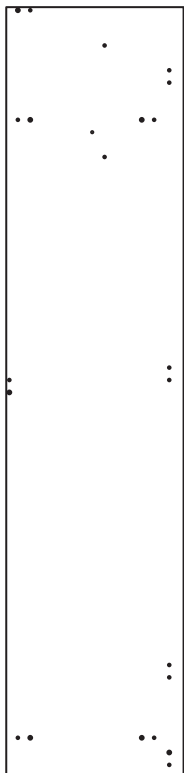
# Components - Panels

If you have damaged or missing components, call the **Customer Helpline: 08456 400800** quoting the reference numbers below

Please check you have all the panels listed below



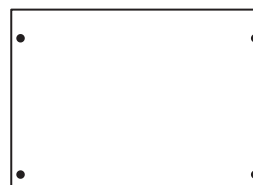
**1** Left Side (D2720A)  
(1981 x 458mm)



**2** Right Side (D2719A)  
(1981 x 458mm)



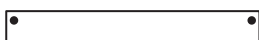
**3** Top (D2721A)  
(690 x 494mm)



**4** Horizontal (D2722A)  
(654 x 456mm) x 2



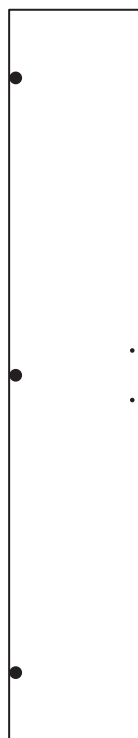
**5** Plinth (D2723A)  
(654 x 86mm)



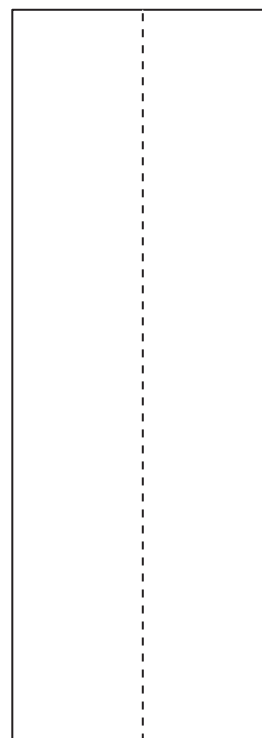
**6** Rail (D2724A)  
(654 x 86mm) x 2



**7** Hanging Rail (FHR646)  
(646mm long)



**8** Mirror Door (D2725MA)  
(1888 x 337mm) x 2  
(Mirror - SG24  
1817 x 260mm  
Safety Back SAR)



**9** Back (X1890-674)  
(1890 x 674mm)

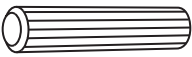
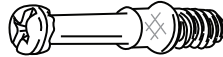

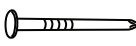




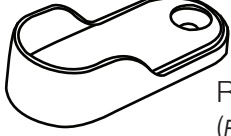
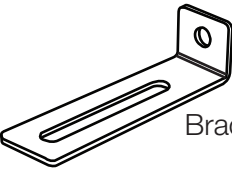
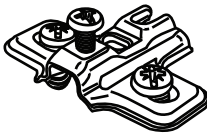
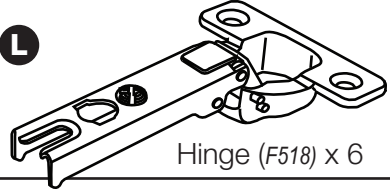




# Components - Fittings

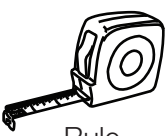
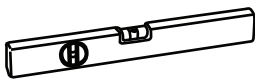

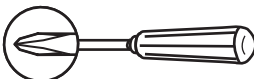

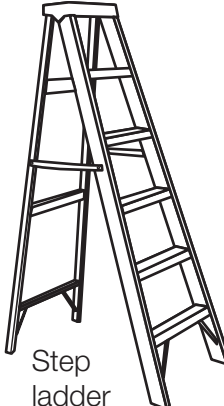
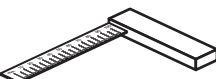


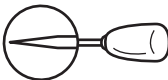
If you have damaged or missing components, call the **Customer Helpline: 08456 400800** quoting the reference numbers below

Please check you have all the fittings listed below

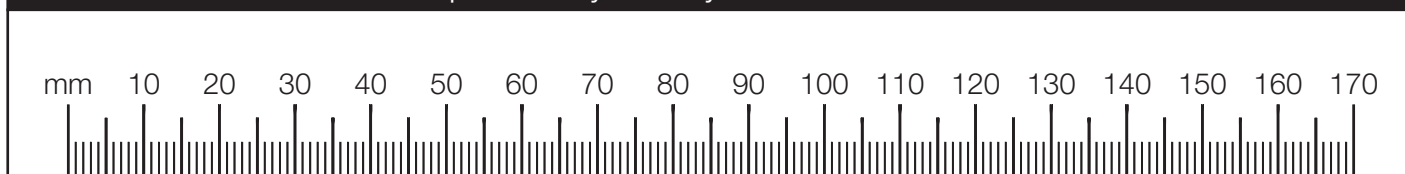
**Note:** The quantities below are the correct amount to complete the assembly. In some cases more fittings may be supplied than are required.

<p><b>A</b> </p> <p>Wooden dowel (F22) x 18</p>	<p><b>B</b> </p> <p>Metal dowel (F901) x 14</p>	<p><b>C</b> </p> <p>Large locking nut (F900) x 14</p>
<p><b>D</b> </p> <p>Nail (F51) x 35</p>	<p><b>E</b> </p> <p>40mm Screw (F910) x 4</p>	<p><b>F</b> </p> <p>19mm Screw (F461) x 4</p>
<p><b>G</b> </p> <p>13mm Screw (F79) x 1</p>	<p><b>H</b> </p> <p>13mm Screw (F63) x 16</p>	<p><b>I</b> </p> <p>Rail Holder (F891) x 2</p>
<p><b>J</b> </p> <p>Bracket (F327) x 1</p>	<p><b>K</b> </p> <p>Hinge plate (F523) x 6</p>	<p><b>L</b> </p> <p>Hinge (F518) x 6</p>
<p><b>M</b> </p> <p>Handle (F274) x 2</p>	<p><b>N</b> </p> <p>Plastic Nail (F91) x 4</p>	

## Tools required

<p></p> <p>Rule</p>	<p></p> <p>Spirit level</p>	<p></p> <p>Eye protection (when using a hammer or drill)</p>	<p></p> <p>Cross-head screwdriver</p>	<p></p> <p>Electric drill (only use when drilling into walls)</p>	<p></p> <p>Step ladder</p>
<p></p> <p>Square</p>	<p></p> <p>Scissors</p>	<p></p> <p>Hammer</p>	<p></p> <p>Bradawl</p>		

Ruler - Use this ruler to help correctly identify the screws



# Assembly Instructions

If you have damaged or missing components, call the Customer Helpline: 08456 400800 quoting the reference numbers below

## Step 1

### Prepare the left side

Tap 2 wooden dowels **A** into the left side **1**.

**Note:** Wooden dowels **must not** stick out from the edge by more than 10mm or they may damage other panels.

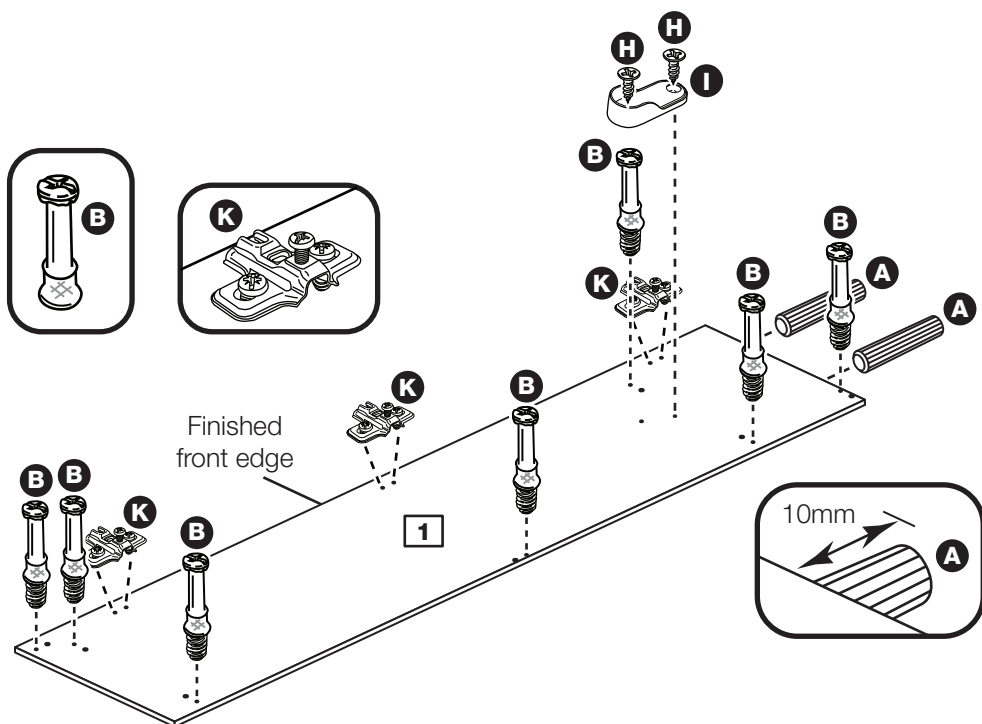
Screw 7 metal dowels **B** into the left side **1**.

**Note:** Tighten the metal dowels up fully against the panels.

Fit 3 hinge plates **K** onto the left side **1**, making sure that the slot is facing towards the finished front edge.

Fit the rail holder **I** to the left side **1** using 2 screws **H**.

To fit the rail holder, screw through its top hole and into the shallow mark hole drilled in the panel. Make sure that it is fitted straight, in line with the panel edges and then fit another screw using the lower hole.



## Step 2

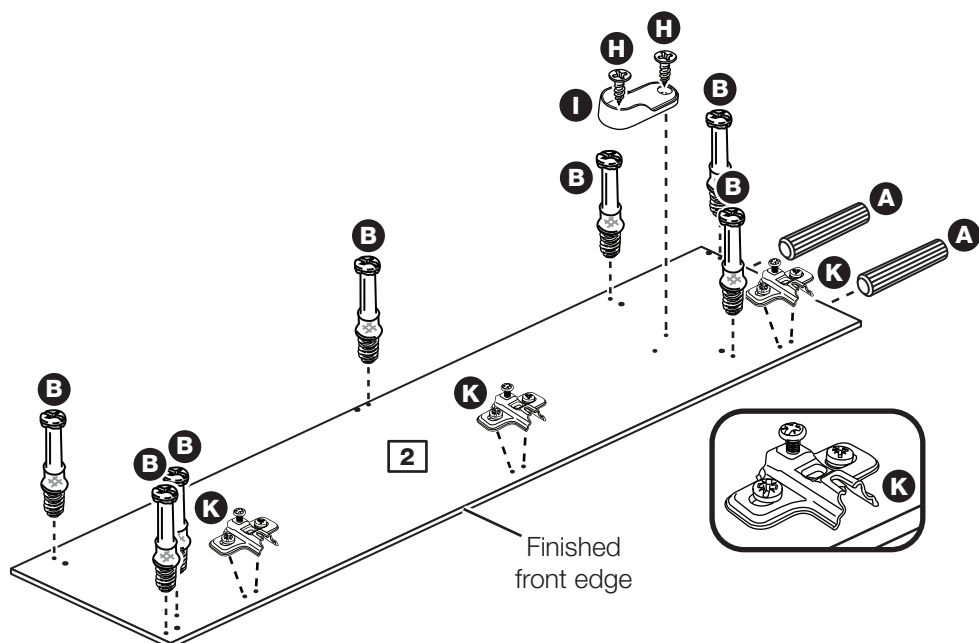
### Prepare the right side

Tap 2 wooden dowels **A** into the right side **2**.

Screw 7 metal dowels **B** into the right side **2**.

Fit 3 hinge plates **K** onto the right side **2**, making sure that the slot is facing towards the finished front edge.

Fit the rail holder **I** to the right side **2** using 2 screws **H**.



# Assembly Instructions

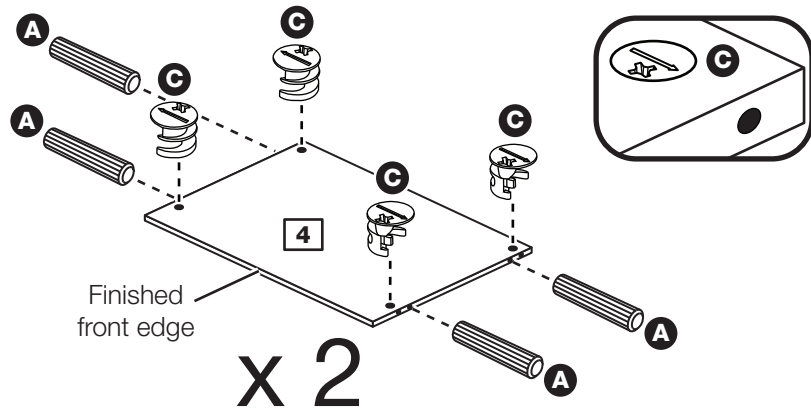
## Step 3

### Prepare the 2 horizontals

Tap 4 wooden dowels **A** into each horizontal **4**.

Insert 4 large locking nuts **C** into each horizontal **4**.

**Note:** The arrow on the locking nut **must** point towards the hole in the edge of the panel.



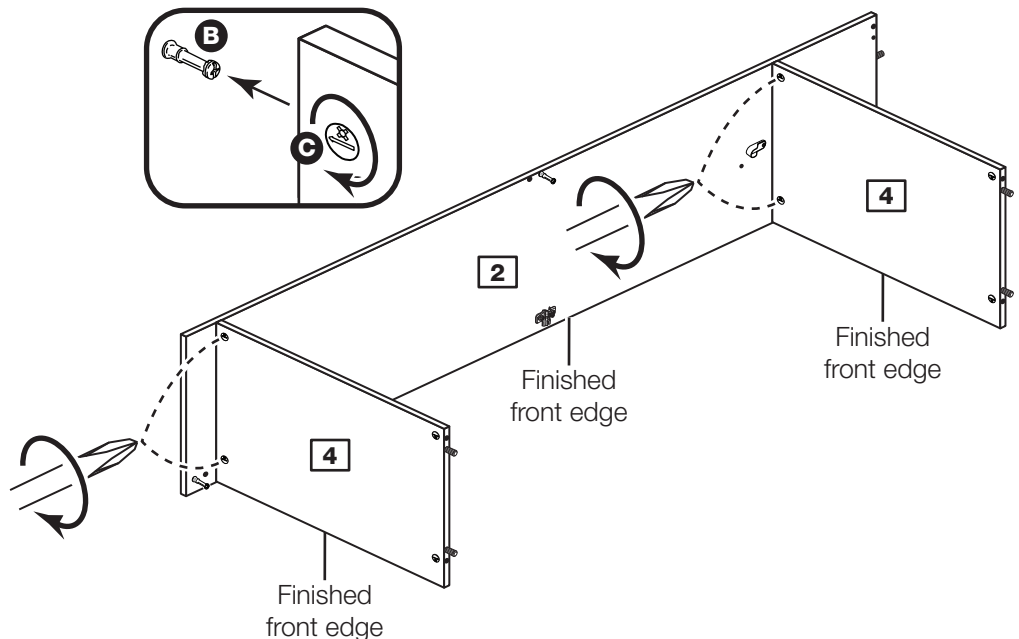
## Step 4

### Fit the 2 horizontals to the right side

Push the 2 horizontals **4** onto the right side **2**.

Use a screwdriver to tighten the 2 large locking nuts **C** fitted each horizontal **4**.

**Note:** Turn the large locking nuts **C** as far as they will go - more than 1/2 a turn.



## Step 5

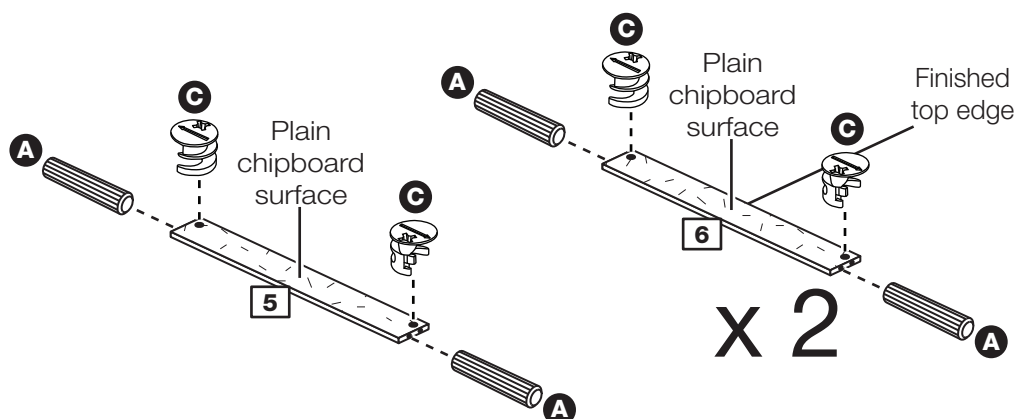
### Prepare the plinth and the 2 rails

Tap 2 wooden dowels **A** into the plinth **5** and each of the 2 rails **6**.

Insert 2 large locking nuts **C** into the plinth **5** and each of the 2 rails **6**.

**Note:** The plinth and the 2 rails can have a plain chipboard surface.

**Note:** The rails have a finished top edge.



# Assembly Instructions

## Step 6

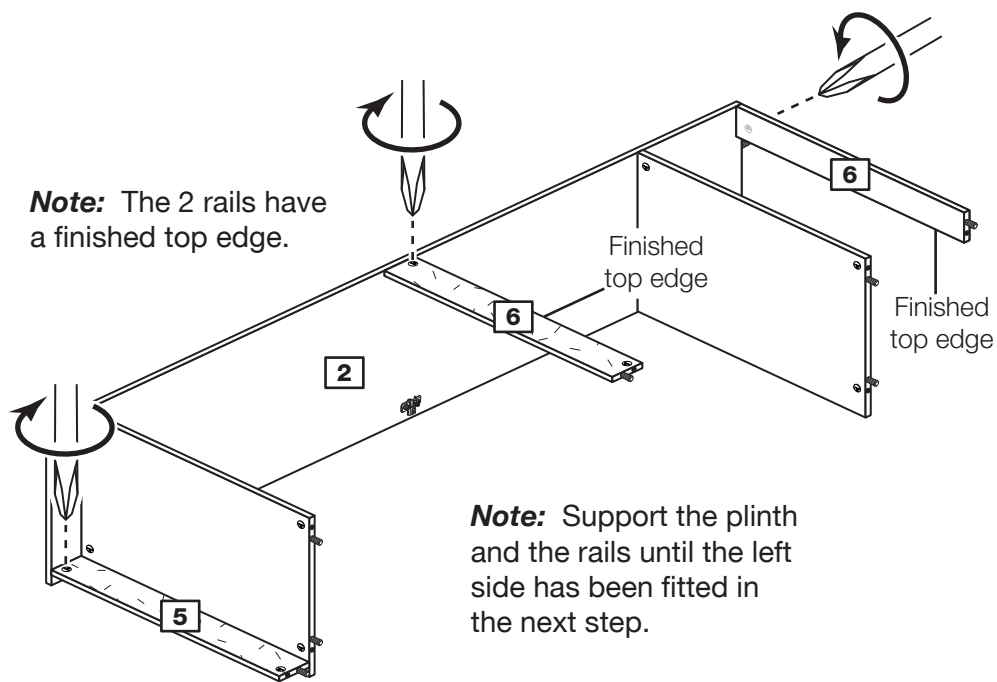
### Fit the plinth and rails

Push the plinth **5** onto the right side **2**.

Use a screwdriver to tighten the large locking nut **C** fitted to the plinth **5**.

Push the 2 rails **6** onto the right side **2**.

Use a screwdriver to tighten the large locking nuts **C** fitted to the 2 rails **6**.

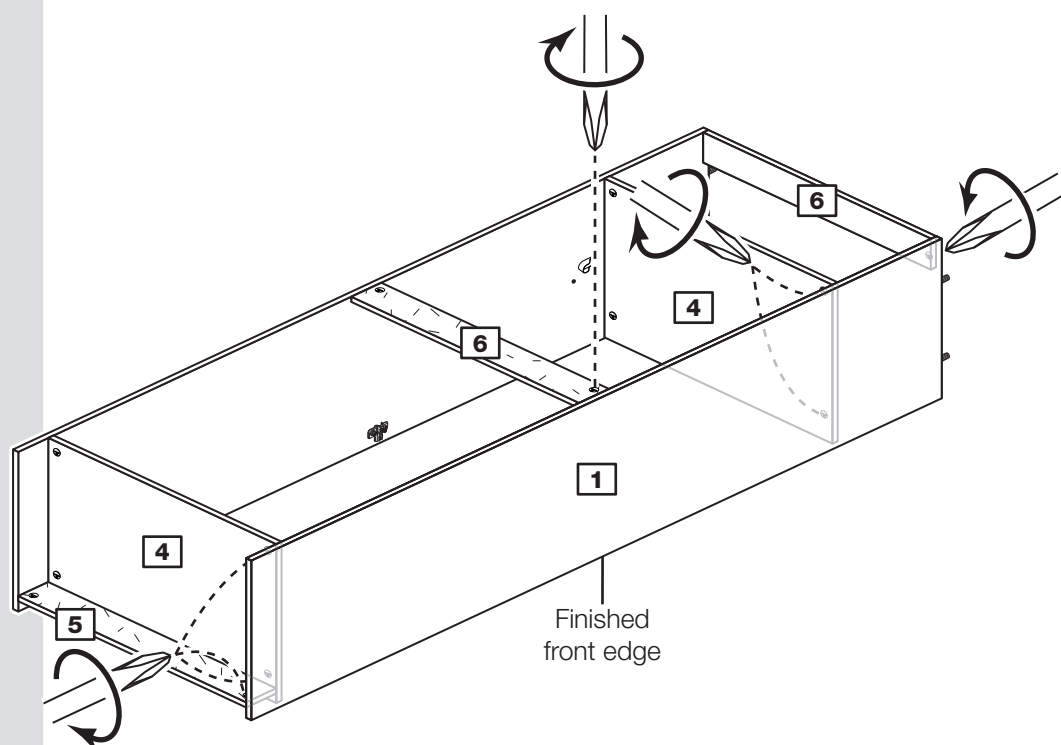


## Step 7

### Fit the left side

Push the left side **1** onto the assembly.

Use a screwdriver to tighten the 7 large locking nuts **C** fitted to the horizontals **4**, the plinth **5** and the 2 rails **6**.



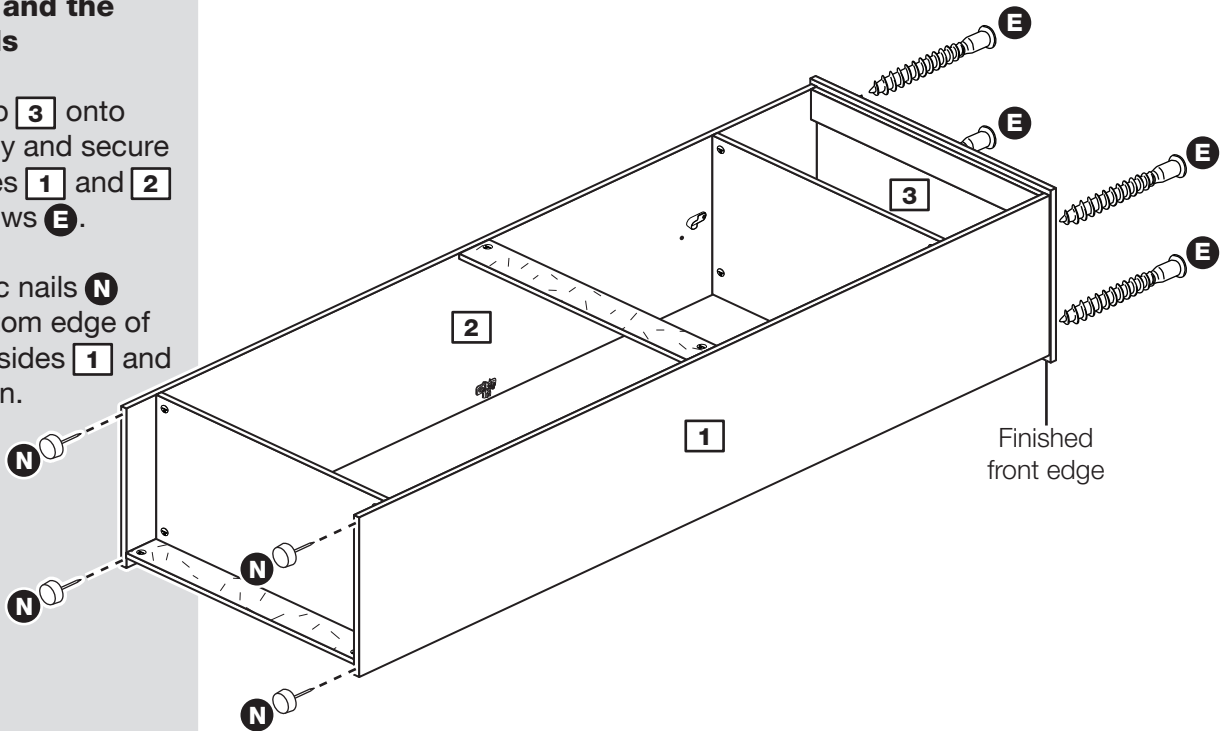
# Assembly Instructions

## Step 8

### Fit the top and the plastic nails

Push the top **3** onto the assembly and secure it to the sides **1** and **2** using 4 screws **E**.

Tap 2 plastic nails **N** into the bottom edge of each of the sides **1** and **2** as shown.



## Step 9

### Fit the back

**a:** Square up the unit by making sure that measurement **x to x** equals **y to y**.

**b:** Place the back **9** onto the unit, making sure it is pushed up against the top **3**.

Nail **D** around the outside edges of the back **9**.

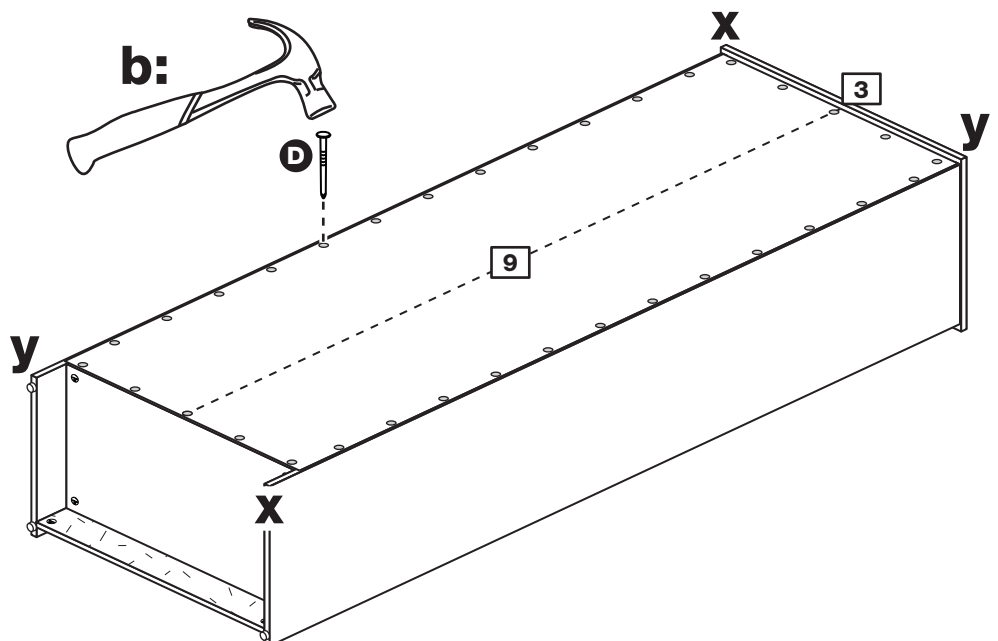
**Note:** Nails should be spaced about 150mm apart.

**Stand the unit up for the next step.**



**Warning:** The unit is heavy. Lift with care.

**a:** The measurement from top corner X to bottom corner X must be equal to the measurement from top corner Y to bottom corner Y



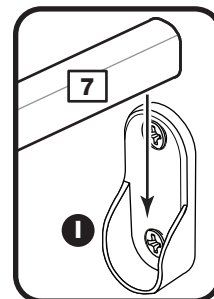
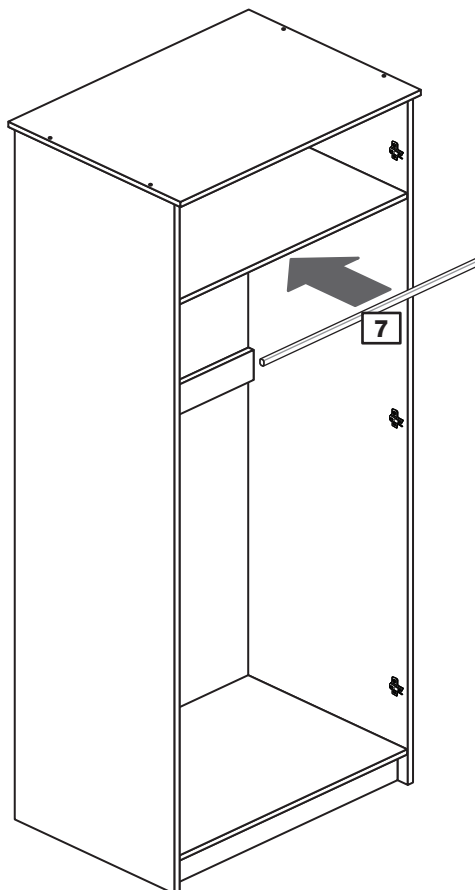


# Assembly Instructions

## Step 10

### Fit the hanging rail

Push the hanging rail **7** into the rail holders **1** fitted to the side panels.



## Step 11

### Prepare the 2 doors

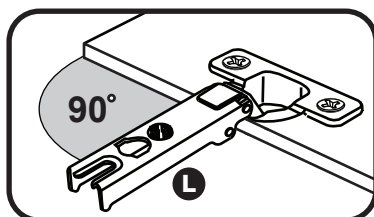
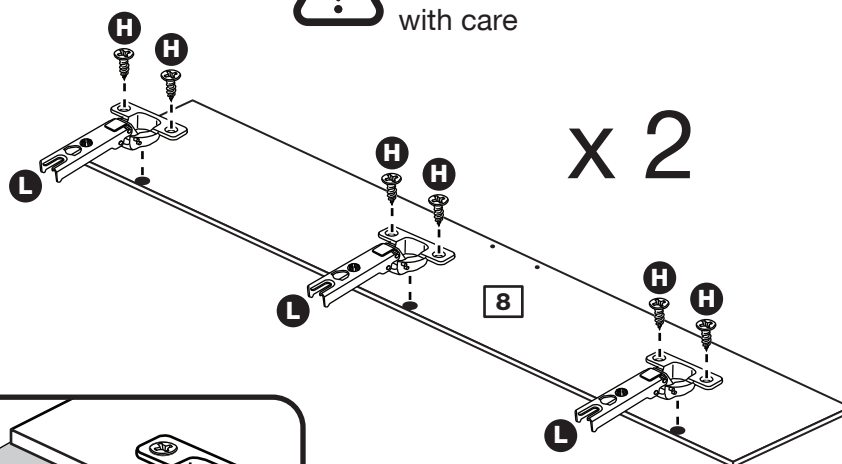
Push fit 3 hinges **L** into each of the doors **8**.

Secure each hinge with 2 screws **H**.

**Note:** Before securing with the screws, make sure that the hinges are positioned at 90 degrees with the edge of the door.



**Warning:**  
Glass! Handle with care



# Assembly Instructions

## Step 12

### Fit doors and handles

**Note:** The easiest way to attach each door **8** is to fit the top hinge first, then align and fit the other hinges.

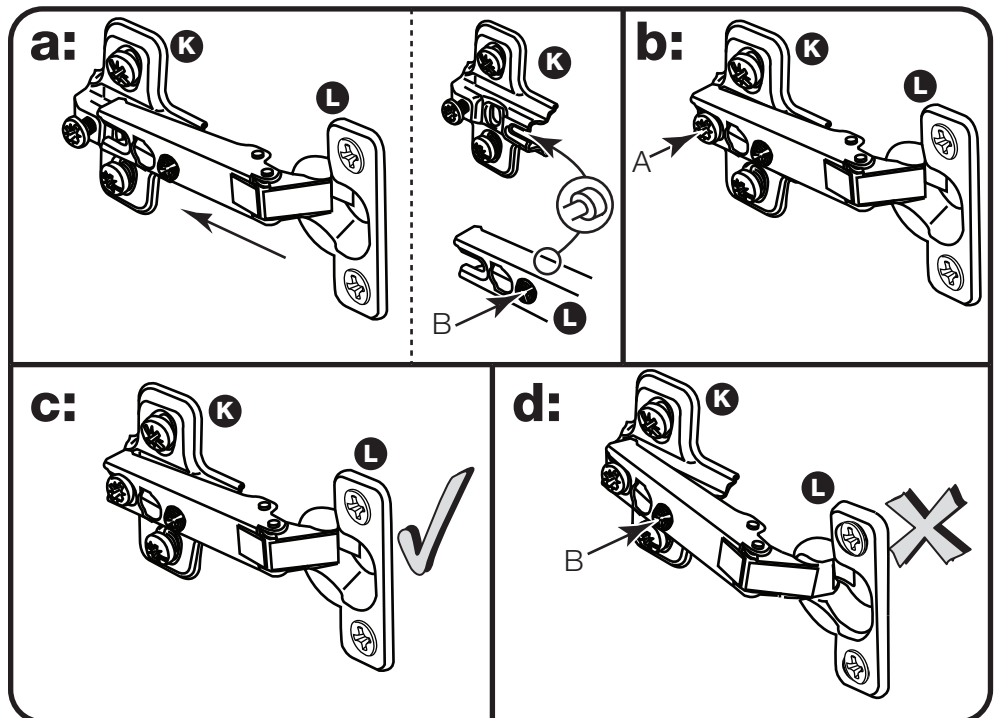
**a:** Push the hinge **L** onto the front part of the hinge plate **K**. The recess at the bottom of screw B goes into the slot in the hinge plate.

**b:** Keep the hinge **L** FLAT against the hinge plate **K** as you slide it across as far as it will go. Tighten screw A.

**c:** The hinge **L** must be flat against the hinge plate **K** prior to any adjustment.

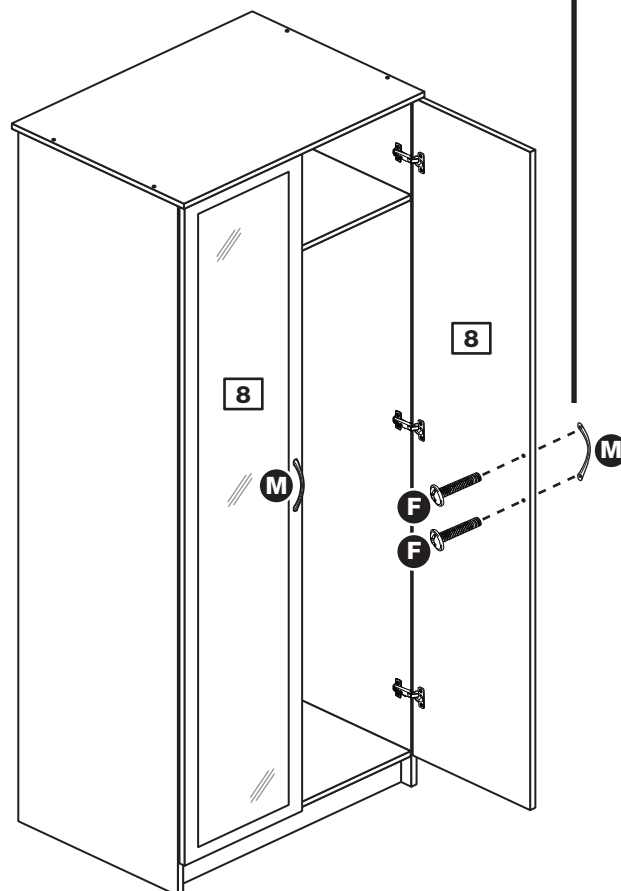
**d:** The hinge **L** must NOT be AT AN ANGLE to the hinge plate **K** when assembled. This would indicate that the recess at the bottom of screw B had not located in the slot in the hinge plate and the hinge would not be secure. Remove the hinge from the hinge plate and then re-assemble being careful to follow instructions a-c.

**e:** Attach a handle **M** to each door **8** using 2 screws **F**.



**Warning:**  
Glass! Handle  
with care

**e:**



# Assembly Instructions

## Step 13

### Adjust the doors if needed

**a:** Before adjusting the doors, use a spirit level to check the base (or top) of the unit is level, front-to-back and side-to-side in the 3 positions shown. Use suitable packing pieces (not supplied) to make the unit level BEFORE making any adjustment to the hinges, as shown.

### **b:** Height adjustment.

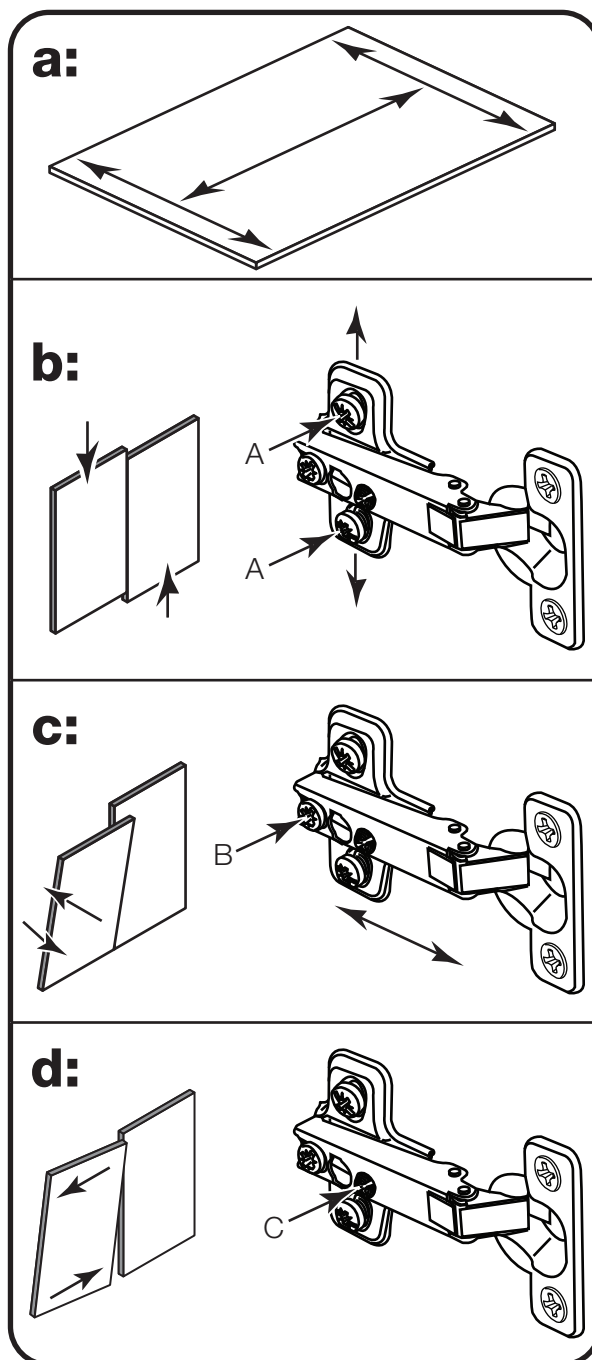
Loosen screws A on hinge plates and move door up or down as required. Retighten screw A.

### **c:** Forward and Back adjustment.

Loosen screw B on hinge plate and move door in or out as required. Retighten screw B.

### **d:** Sideways adjustment.

To move door 'out' loosen screw C. To move door 'in' tighten screw C.



# Assembly Instructions

## Step 14

### Fit the bracket

To prevent possible overbalancing, we recommend that this unit is secured to a suitable wall by use of the bracket **J** fitted to the top of the unit.

Fixings are not supplied, as they will need to suit the wall type and the length of screw will depend on the distance from the back of the unit to the wall.

Fix the bracket **J** loosely onto the top of the unit using screw **G** and mark the wall for the wall fixing.

Swivel the bracket **J** away from the wall and drill a hole in the wall using a suitable drill bit and fit your wall fixing.

Swivel the bracket **J** back and fix the bracket to the wall, then tighten screw **G**.

**Note:** Take care when drilling the wall that you do not drill into any pipes, wires etc. If in doubt, consult an expert.

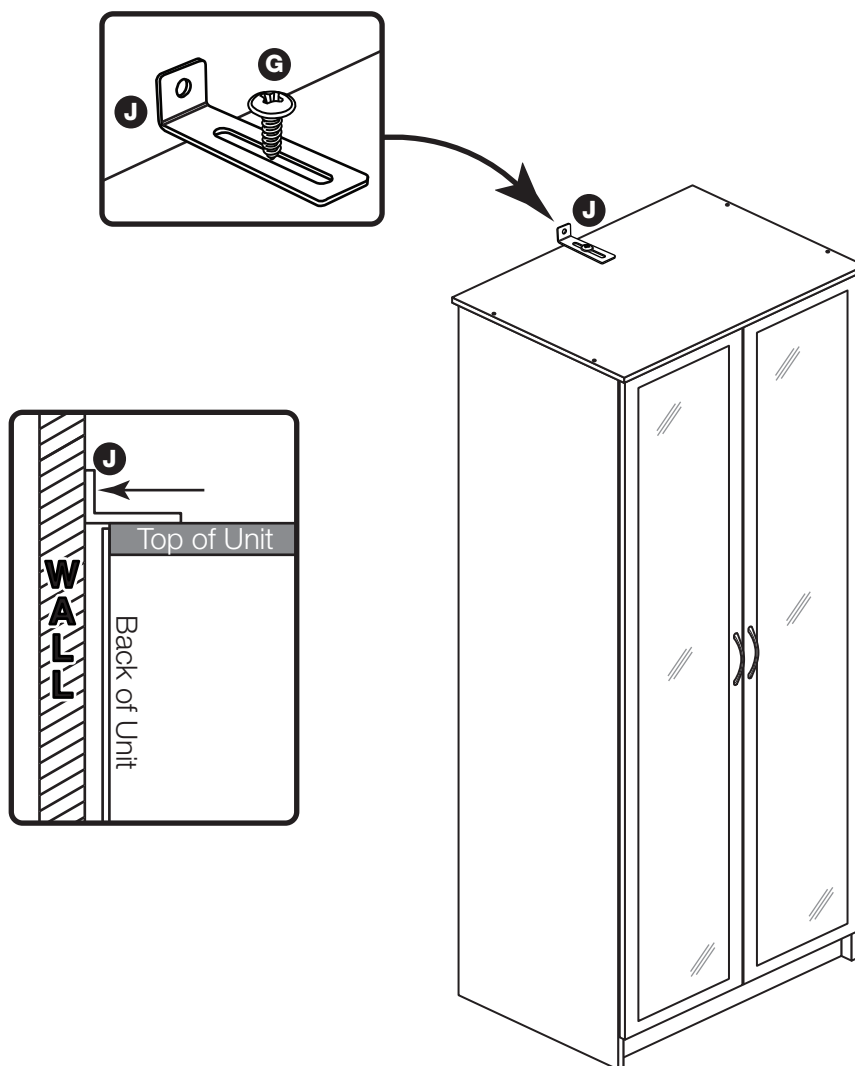


**Warning:** The unit is heavy. Lift with care.

**Assembly is complete**

## IMPORTANT

If you have purchased the Cheval Overbed Cupboards, you will need to fix them to the wall **BEFORE** you fix the Robe to the wall.



If you need help or have damaged or missing parts, call the Customer Helpline: 08456 400800 and quote the reference numbers on the component pages.

Argos Ltd, 489-499 Avebury Boulevard, Central Milton Keynes, MK9 2NW