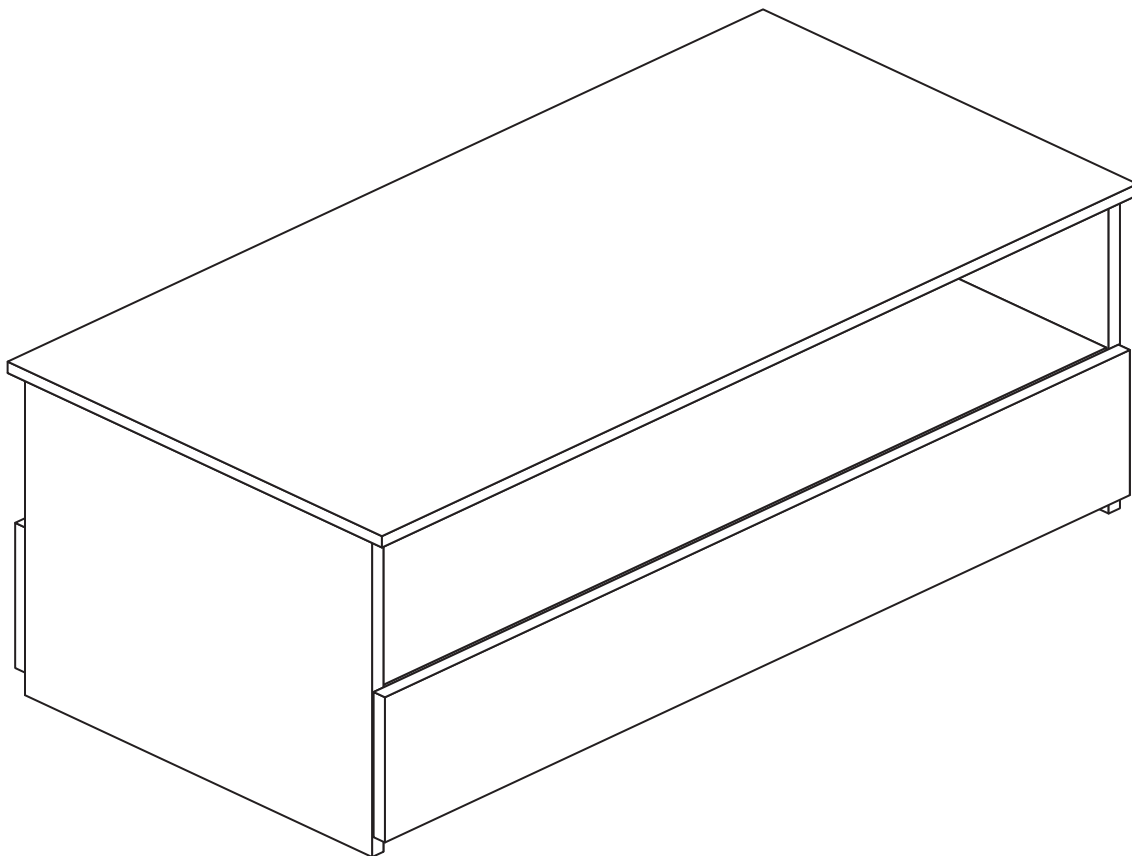


Aurora - Coffee Table

Assembly Instructions - Please keep for future reference

147/1360

166/6553



Dimensions

Width - 100cm

Depth - 49.5cm

Height - 43.5cm



**MADE IN
BRITAIN**

Important - Please read these instructions fully before starting assembly

If you need help or have damaged or missing parts, call the **Customer Helpline: 08456 400800**



Safety and Care Advice

Important - Please read these instructions fully before starting assembly

- **Warning:** This unit weighs approximately 26kgs. Please lift with care.

- Check you have all the components and tools listed on pages 2 and 3.

- Remove all fittings from the plastic bags and separate them into their groups.

- Keep children and animals away from the work area, small parts could choke if swallowed.

- Parts of the assembly will be easier with 2 people.

- Make sure you have enough space to layout the parts before starting.

- Do not stand or put weight on the product, this could cause damage.

- Assemble the item as close to its final position (in the same room) as possible.

- Assemble on a soft level surface to avoid damaging the unit or your floor (use opened out unit carton).



- We do not recommend the use of power drill/drivers **for inserting screws**, as this could damage the unit. Only use hand screwdrivers.

- **Safety note:** If there is any chance of this unit being pulled over by children etc. it is recommended that the unit is secured to a wall using suitable fixings (not supplied).

- Dispose of all packaging carefully and responsibly.

Care and maintenance

- Only clean using a damp cloth and mild detergent, do not use bleach or abrasive cleaners.

- From time to time check that there are no loose screws on this unit.

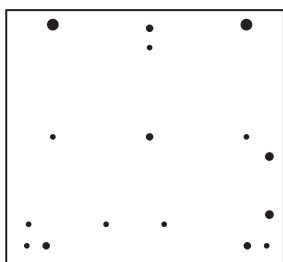
- This product should not be discarded with household waste. Take to your local authority waste disposal centre.

Note: If required the next page can be cut out and used as reference throughout the assembly. Keep this page with these instructions for future reference.

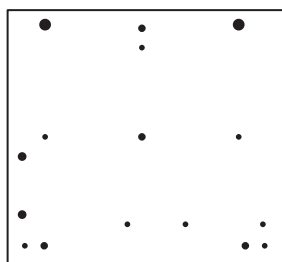
Components - Panels

If you have damaged or missing components, call the **Customer Helpline: 08456 400800** quoting the reference numbers below

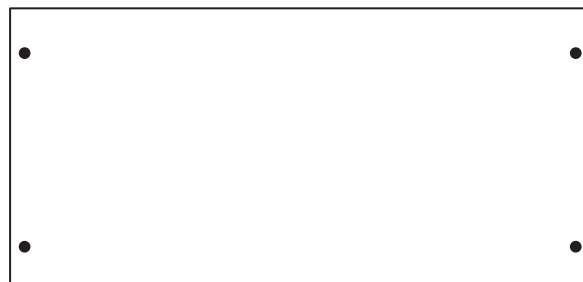
Please check you have all the panels listed below



1 Left Side (D2638A)
(420 x 459mm)



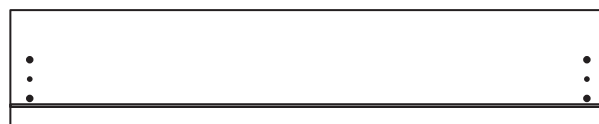
2 Right Side (D2639A)
(420 x 459mm)



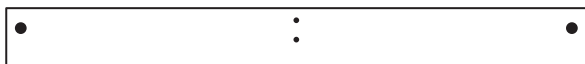
3 Horizontal (D2640A)
(959 x 456mm)



4 Back (D2641A)
(985 x 192mm)



5 Drawer Front (D2642A)
(985 x 192mm)



6 Rail (D2643A)
(959 x 95mm) x 3



7 Top (D2644A)
(999 x 495mm)



8 Drawer Base (T919-347)
(919 x 347mm)



9 Left Drawer Side (W509LH)
(350 x 115mm)



10 Right Drawer Side (W509RH)
(350 x 115mm)



11 Drawer Back (W908-115)
(908 x 115mm)


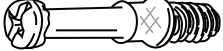



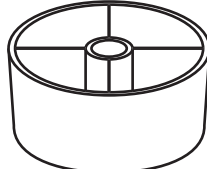


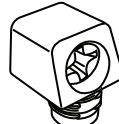

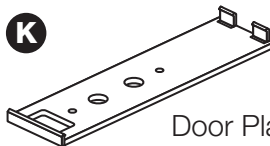
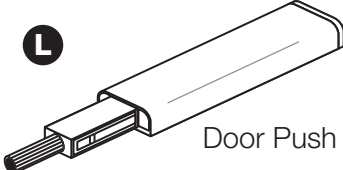
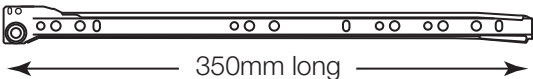

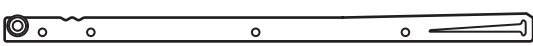
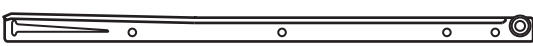



Components - Fittings

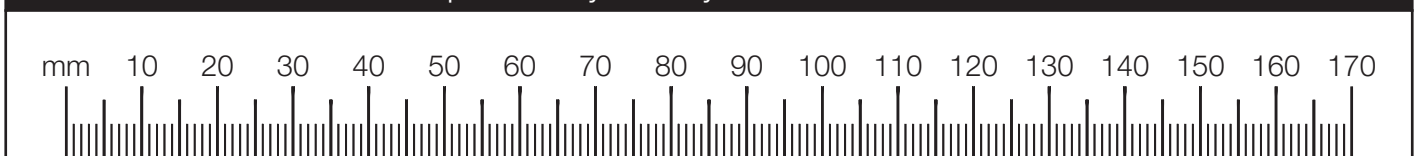
If you have damaged or missing components, call the
Customer Helpline: 08456 400800 quoting the reference
 numbers below

Please check you have all the fittings listed below

Note: The quantities below are the correct amount to complete the assembly. In some cases more fittings may be supplied than are required.

<p>A </p> <p>Wooden dowel (F22) x 10</p>	<p>B </p> <p>Metal dowel (F901) x 16</p>	<p>C </p> <p>Knock-in Peg (F171) x 4</p>
<p>D </p> <p>Small locking nut (F3) x 2</p>	<p>E </p> <p>Large locking nut (F900) x 14</p>	<p>F </p> <p>Feet (F854) x 2</p>
<p>G </p> <p>25mm Screw (F50) x 2</p>	<p>H </p> <p>13mm Screw (F52) x 8</p>	<p>I </p> <p>Mini block (F25) x 4</p>
<p>J </p> <p>13mm Screw (F63) x 6</p>	<p>K </p> <p>Door Plate (F259) x 1</p>	<p>L </p> <p>Door Push (F258) x 1</p>
<p>M a  L Runner (F159) x 1 ← 350mm long →</p> <p>M b  R Runner (F160) x 1</p> <p>M c  L Runner (F161) x 1</p> <p>M d  R Runner (F162) x 1</p>		<p>N </p> <p>Wedgefix (F639) x 6</p>

Ruler - Use this ruler to help correctly identify the screws



Assembly Instructions

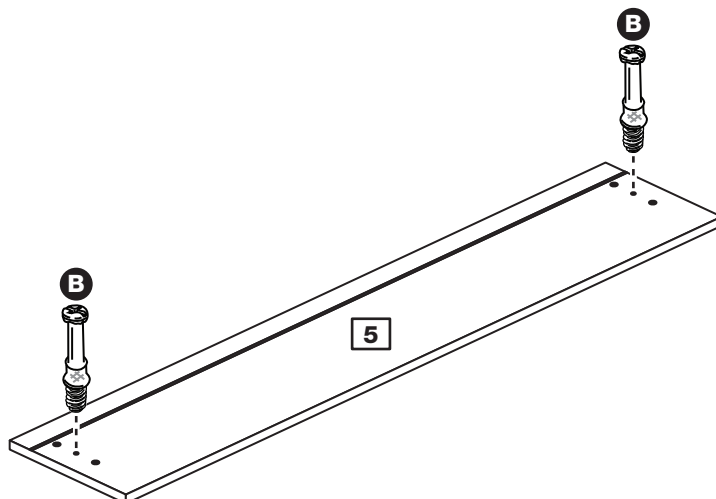
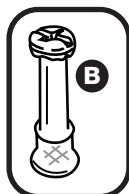
If you have damaged or missing components, call the
Customer Helpline: 08456 400800 quoting the reference
numbers below

Step 1

Prepare the drawer front

Screw 2 metal dowels **B** into the holes shown on the back of the drawer front **5**.

Note: Tighten the metal dowels up fully against the panels.

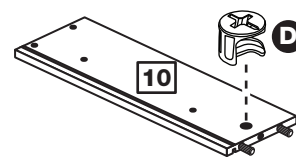
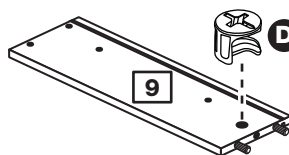
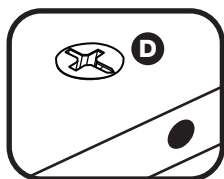


Step 2

Prepare the drawer sides

Insert a small locking nut **D** into the hole shown on the left drawer side **9** and right drawer side **10**.

Note: Arrow on locking nut **must** point towards hole in edge of panel.



Step 3

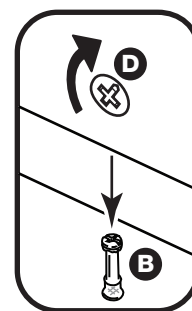
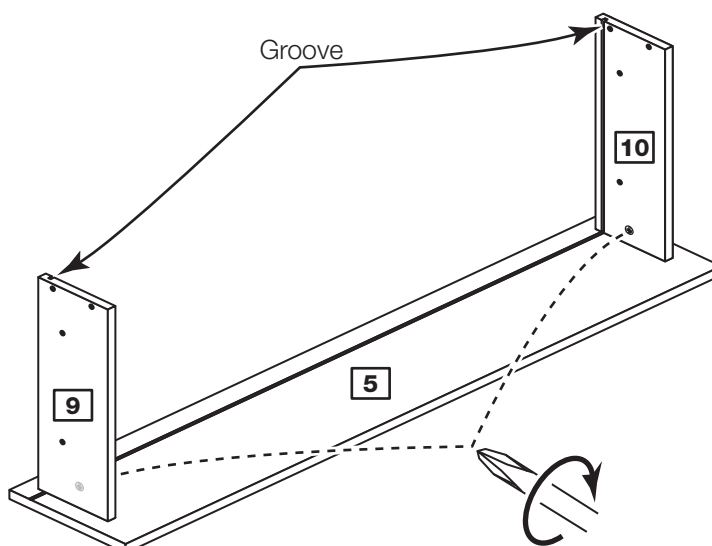
Attach the drawer sides to the drawer front

Push the left drawer side **9** and right drawer side **10** onto the back of the drawer front **5**.

Turn the small locking nuts **D** on the left drawer side **9** and right drawer side **10**.

Note: Turn the locking nuts clockwise to secure panels - more than 1/2 a turn.

Note: The locking nuts can be on either surface of the drawer sides. Make sure that the groove is on the inside, as shown.

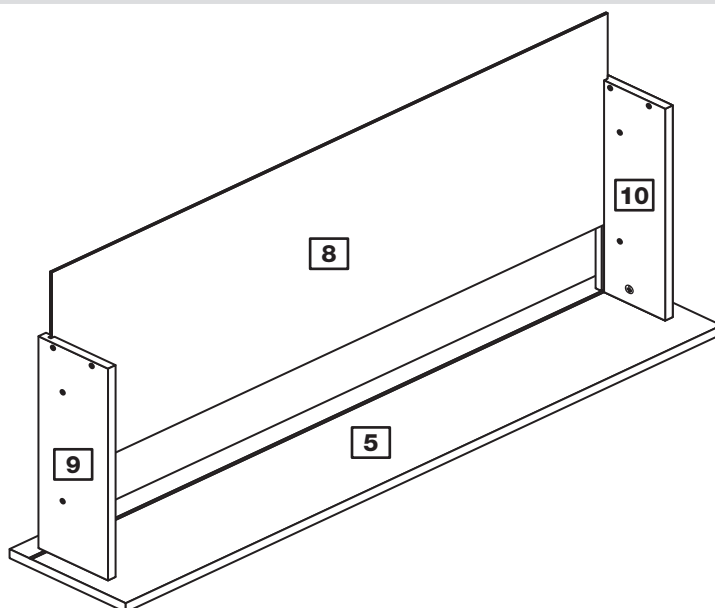


Assembly Instructions

Step 4

Fit the drawer base

Slide the drawer base **8** down the grooves in the drawer sides **9** and **10** and down into the groove in the drawer front **5**.



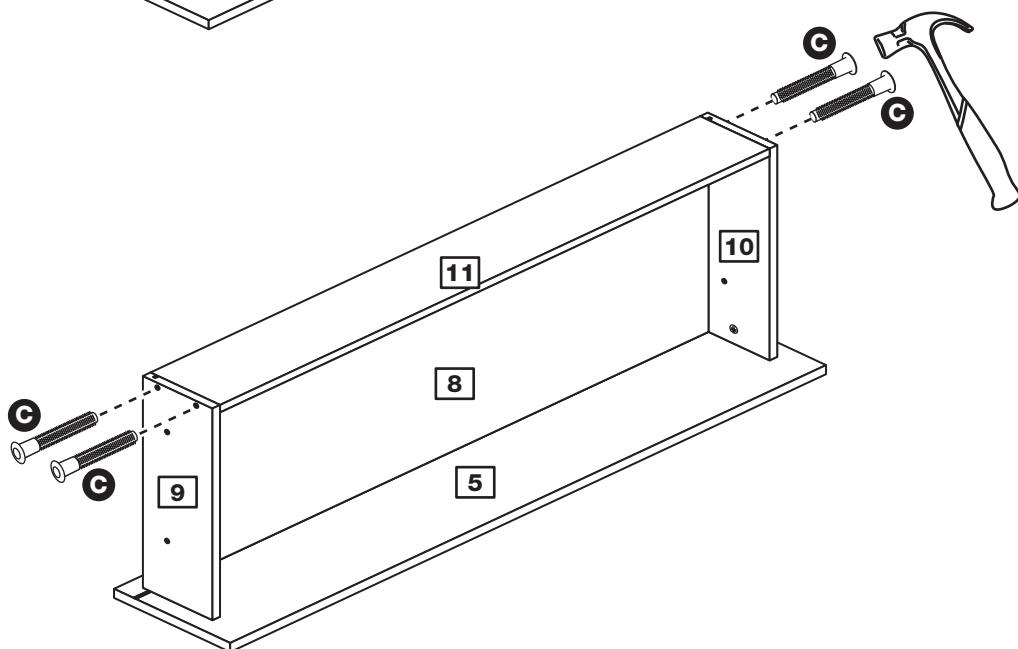
Step 5

Fit the drawer back

Fit the drawer back **11** between the drawer sides **9** and **10**.

Make sure that the drawer base **8** fits into the groove in the drawer back **11**.

Hold the drawer back **11** in position and tap the knock-in pegs **C** through the holes in the drawer sides **9** and **10**.



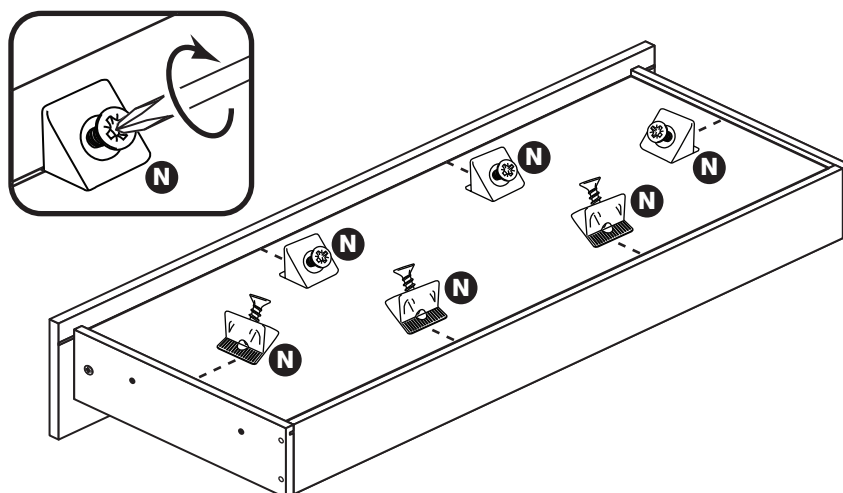
Step 6

Fit the 6 wedgexes

Turn the drawer assembly over.

Slide the wedgexes **N** into the small grooves on the drawer assembly, as shown.

Once in place, tighten up the screws.



Assembly Instructions

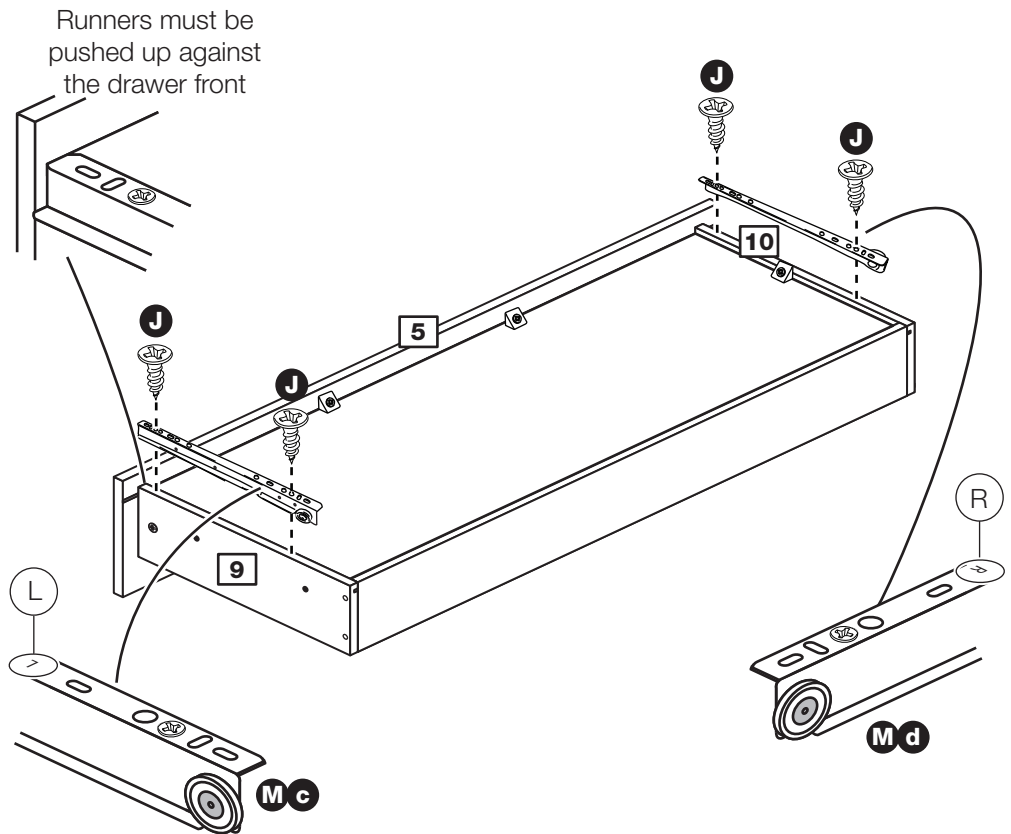
Step 7

Fit the runners to the drawer

Turn the drawer assembly over.

Fit runner **(M d)**, marked with 'R', to the bottom edge of the right drawer side **(10)**, as shown, making sure that it is pushed up against the back of the drawer front **(5)**. Use a bradawl to mark the fixing positions, then secure with 2 screws **(J)**.

Fit runner **(M c)**, marked 'L', to the bottom edge of the left drawer side **(9)** using the same method.



Step 8

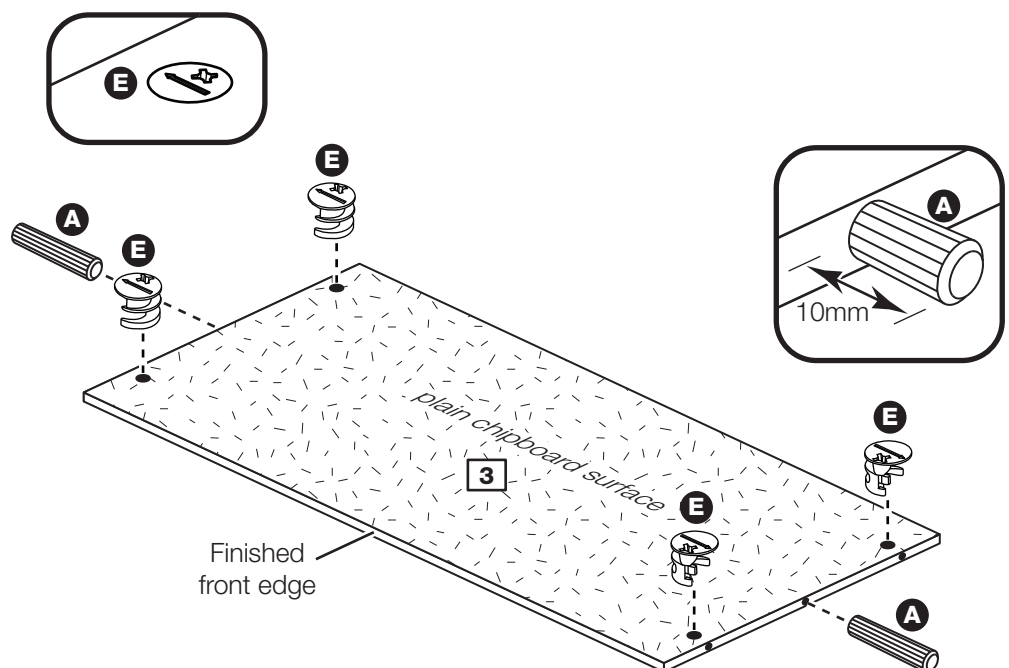
Prepare the horizontal

Tap 2 wooden dowels **(A)** into the horizontal **(3)**.

Note: Wooden dowels **must not** stick out from the edge by more than 10mm or they may damage other panels.

Insert 4 large locking nuts **(E)** into the horizontal **(3)**.

Note: The arrow on the locking nut **must** point towards the hole in the edge of the panel.



Assembly Instructions

Step 9

Prepare the left side

a: Tap a wooden dowel **A** into the left side **1**.

Screw 5 metal dowels **B** into the left side **1**.

b: Insert 2 large locking nuts **E** into the left side **1**.

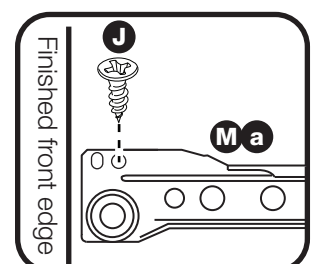
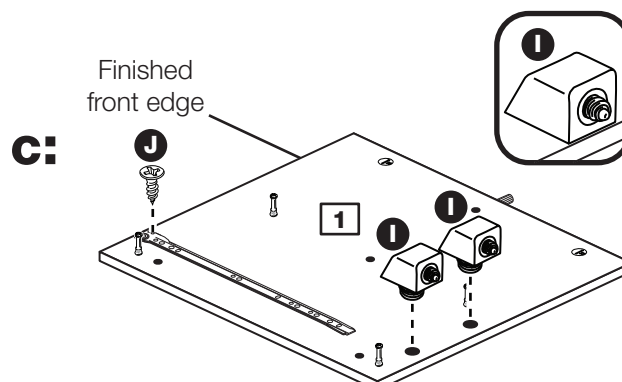
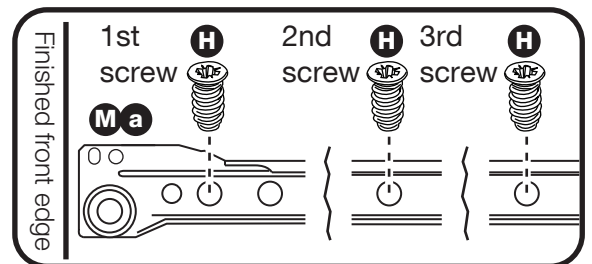
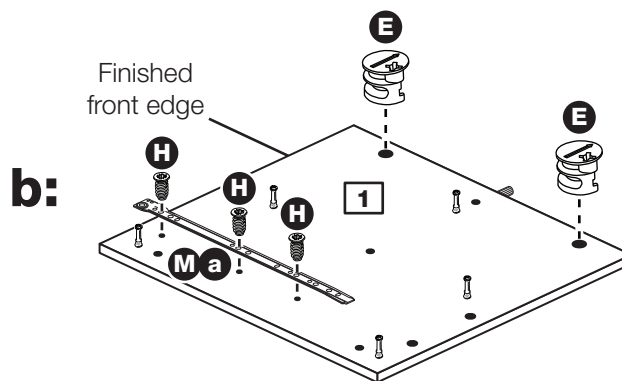
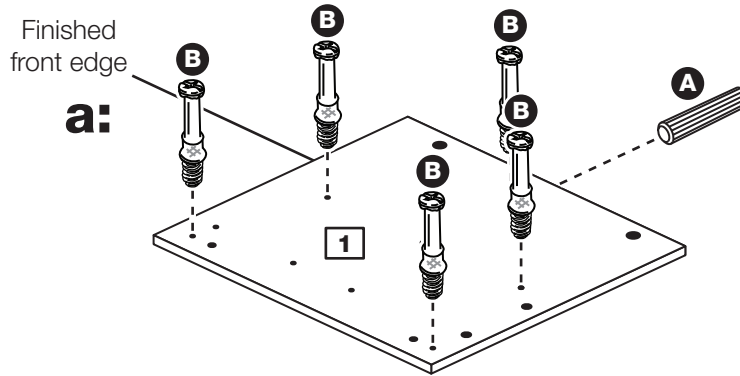
Fit the runner **Ma** to the left side **1**.

The 1st screw **H** uses the 2nd hole from the front of the runner.

The 2nd and 3rd screws **H** use the holes that line up with the other panel holes.

c: Fit a screw **J** into the 2nd hole in at the top of the runner **Ma**.

Gently tap 2 mini blocks **I** into the left side **1**, orientated as shown.



Assembly Instructions

Step 10

Prepare the right side

a: Tap a wooden dowel **A** into the right side **2**.

Screw 5 metal dowels **B** into the right side **2**.

b: Insert 2 large locking nuts **E** into the right side **2**.

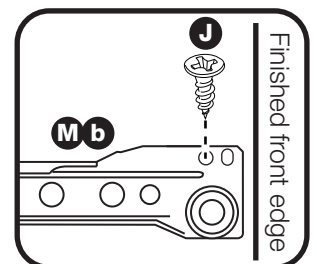
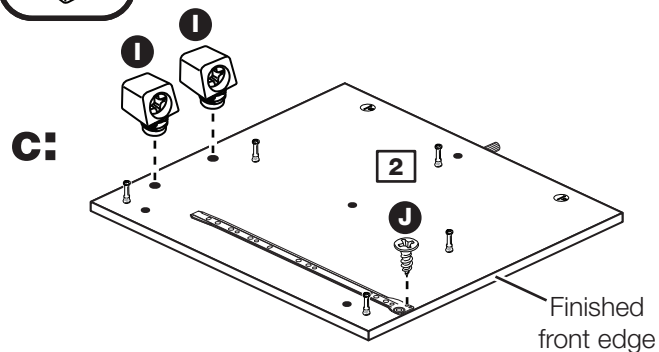
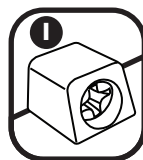
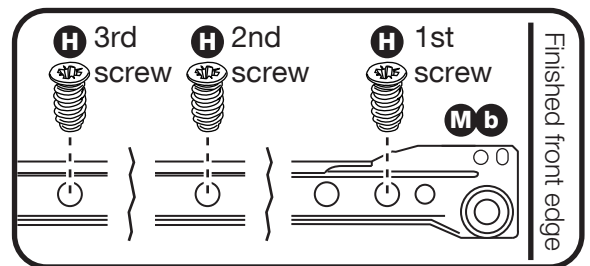
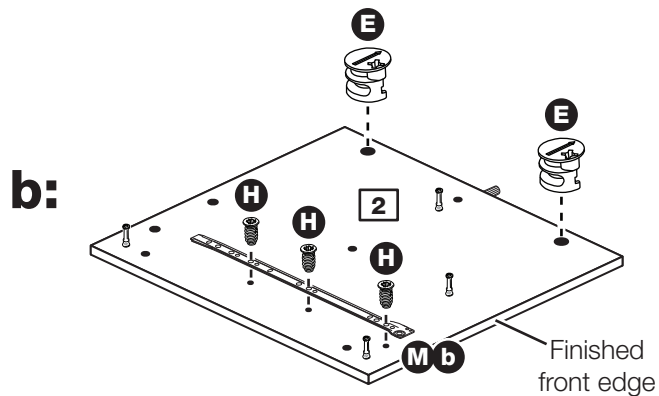
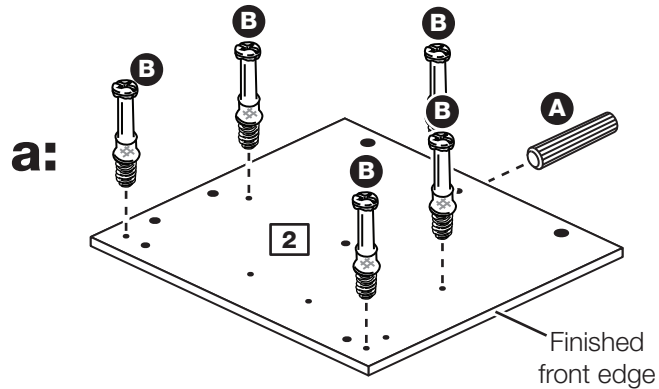
Fit the runner **M b** to the right side **2**.

The 1st screw **H** uses the 2nd hole in from the front of the runner.

The 2nd and 3rd screws **H** use the holes that line up with the other panel holes.

c: Fit a screw **J** into the 2nd hole in at the top of the runner **M b**.

Gently tap 2 mini blocks **I** into the right side **2**, orientated as shown.



Assembly Instructions

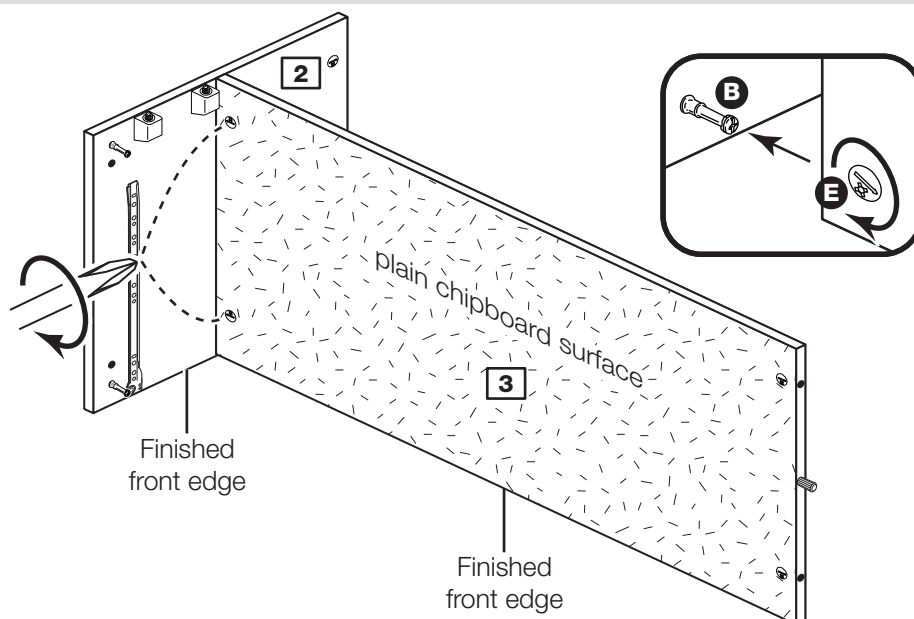
Step 11

Join the right side and horizontal

Push the horizontal **3** onto the right side **2**.

Use a screwdriver to tighten the 2 large locking nuts **E** fitted to the horizontal **3**.

Note: Turn the large locking nuts **E** as far as they will go - more than 1/2 a turn.

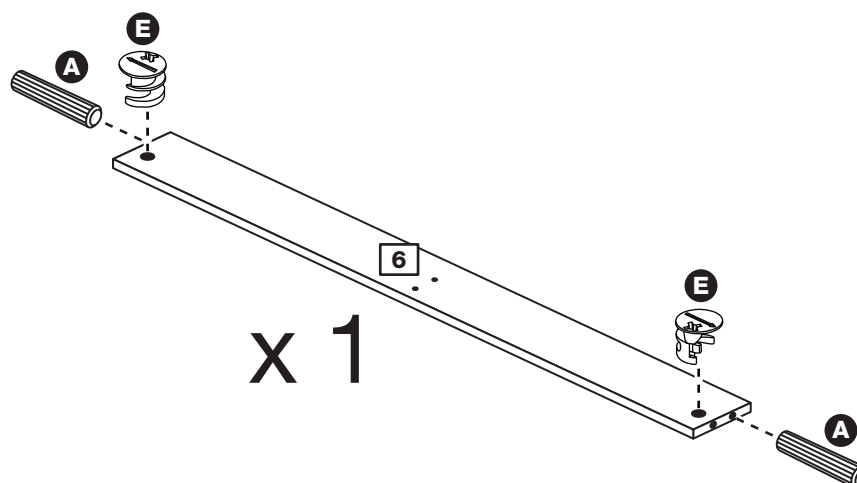


Step 12

Prepare 1 of the rails

Tap 2 wooden dowels **A** into a rail **6**.

Insert 2 large locking nuts **E** into a rail **6**.



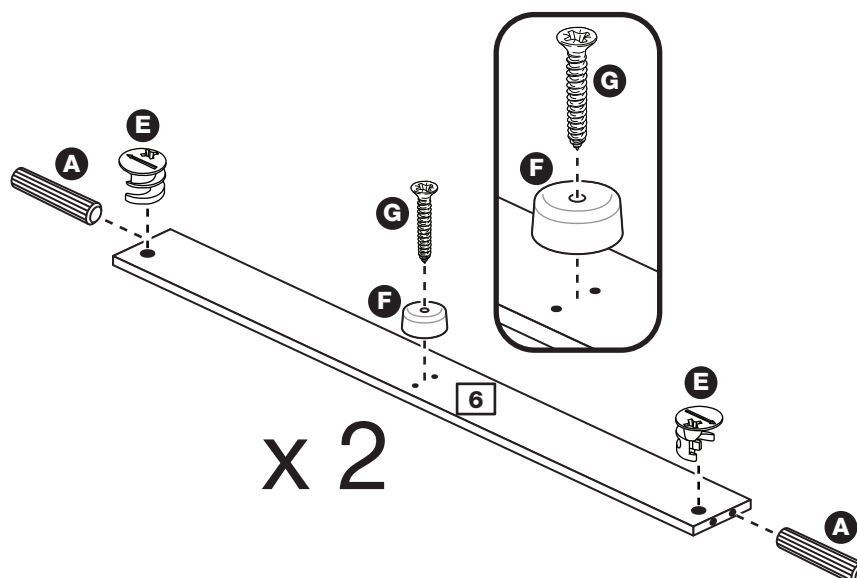
Step 13

Prepare the other 2 rails

Tap 2 wooden dowels **A** into each rail **6**.

Insert 2 large locking nuts **E** into each rail **6**.

Screw a foot **F** onto each rail **6** between the 2 pre-drilled holes using screws **G**.



Assembly Instructions

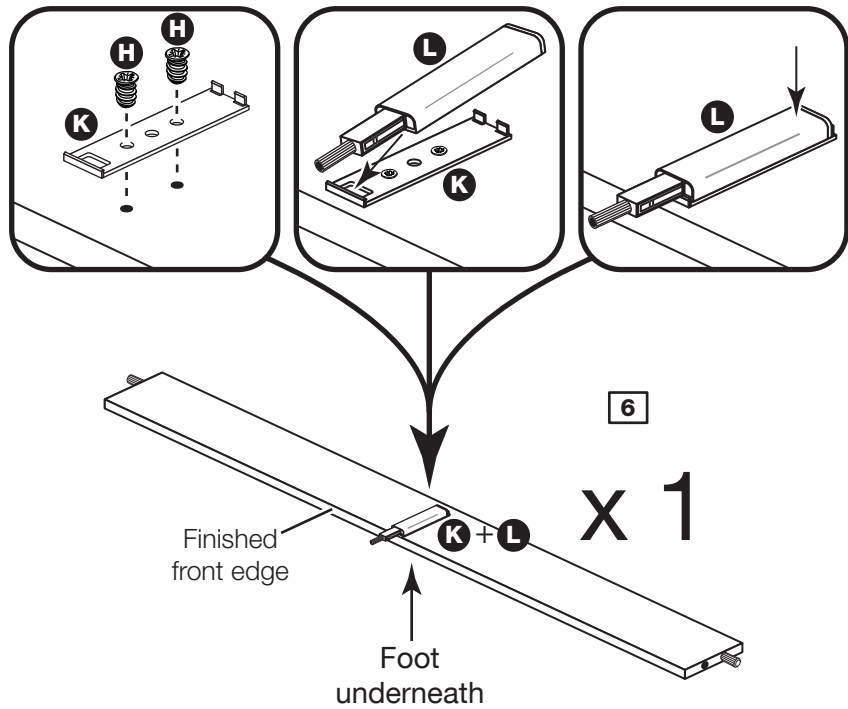
Step 14

Turn over 1 of the rails with a foot and fit the door push

Fit a door plate **K** to one of the rails **6** using screws **H**.

Press the door push **L** into the door plate **K**.

Press down the back of the door push **L** to click into place.

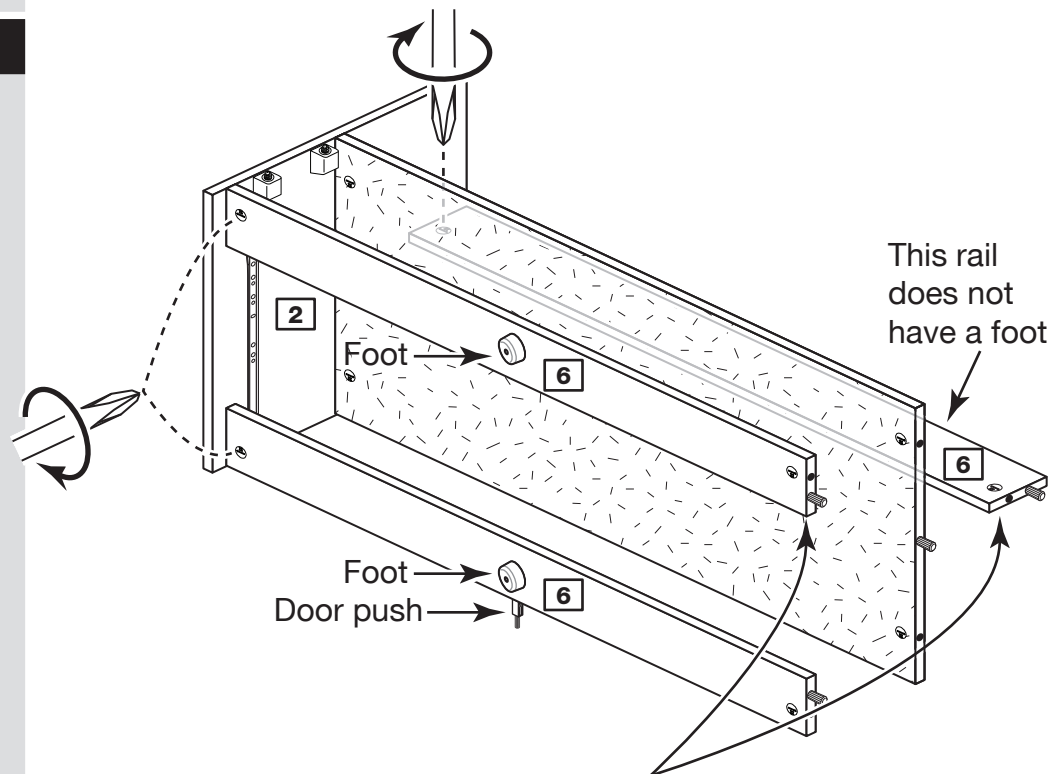


Step 15

Fit the 3 rails

Push the rails **6** onto the right side **2**.

Use a screwdriver to tighten the 3 large locking nuts **E** fitted to the rails **6**.



Note: Support these 2 rails until the left side has been fitted.

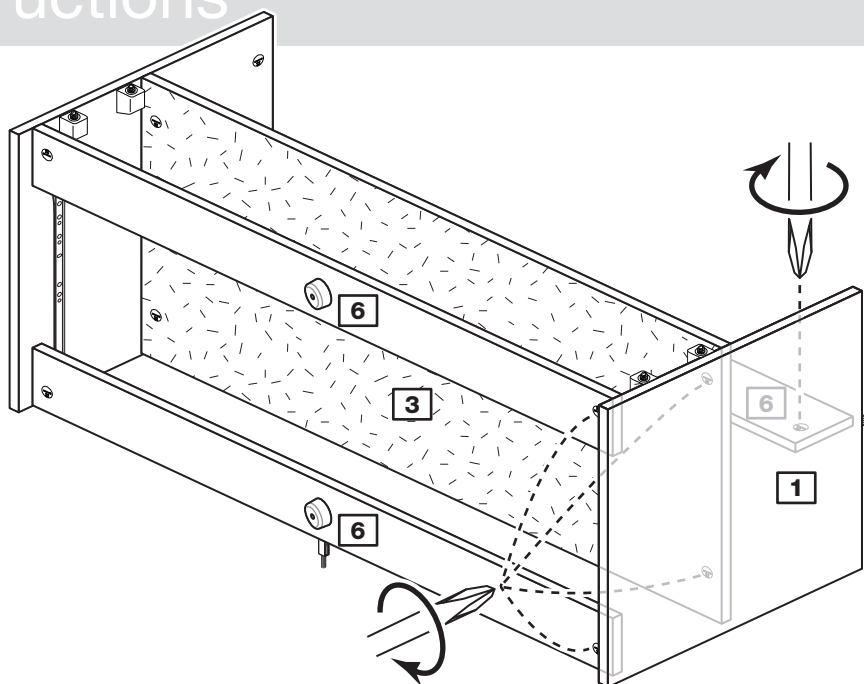
Assembly Instructions

Step 16

Fit the left side

Push the left side **1** onto the assembly.

Use a screwdriver to tighten the 5 large locking nuts **E** fitted to the horizontal **3** and the rails **6**.



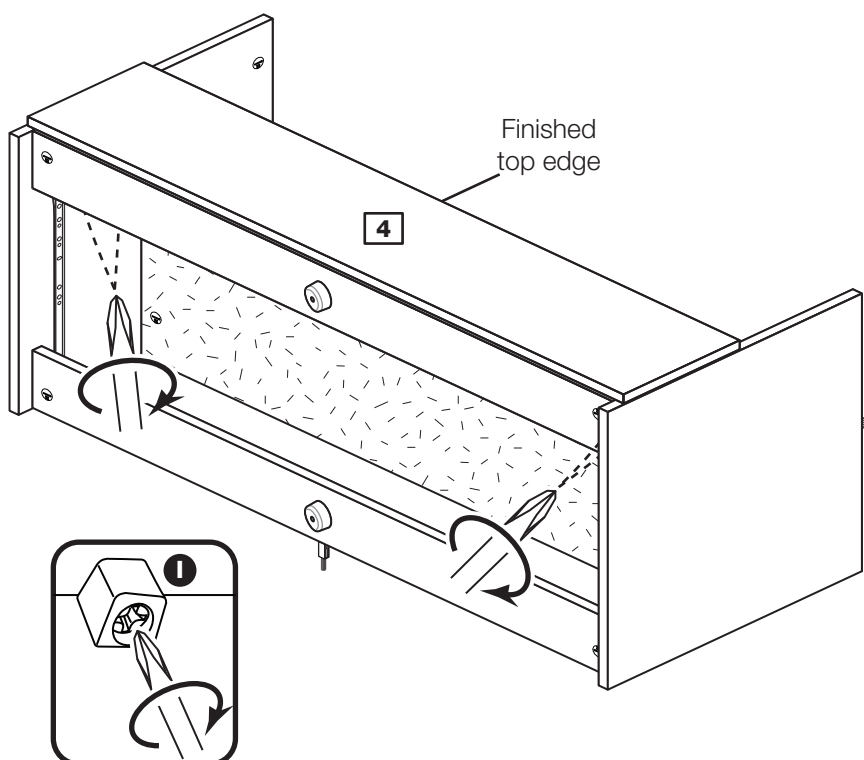
Step 17

Fit the back

Push the holes in the back **4** down onto the 4 mini blocks **I** fitted to the sides.

Tighten up the screws in the 4 mini blocks **I** into the holes in the back **4**.

Carefully stand the unit up for the next step.



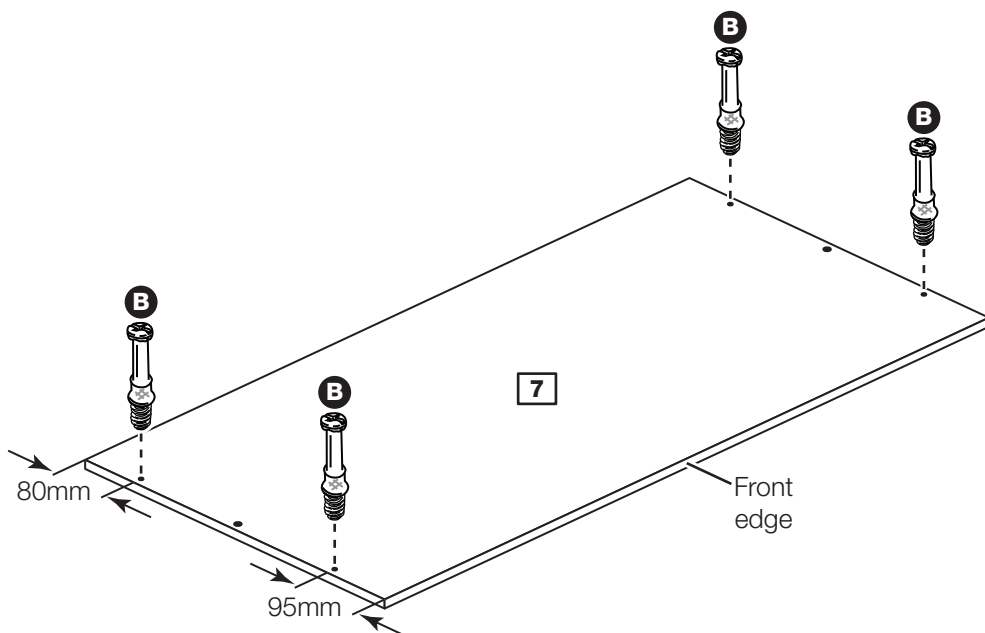
Assembly Instructions

Step 18

Prepare the top

Screw 4 metal dowels **B** into the top **7**.

Use the measurements of the holes to determine which is the front edge.

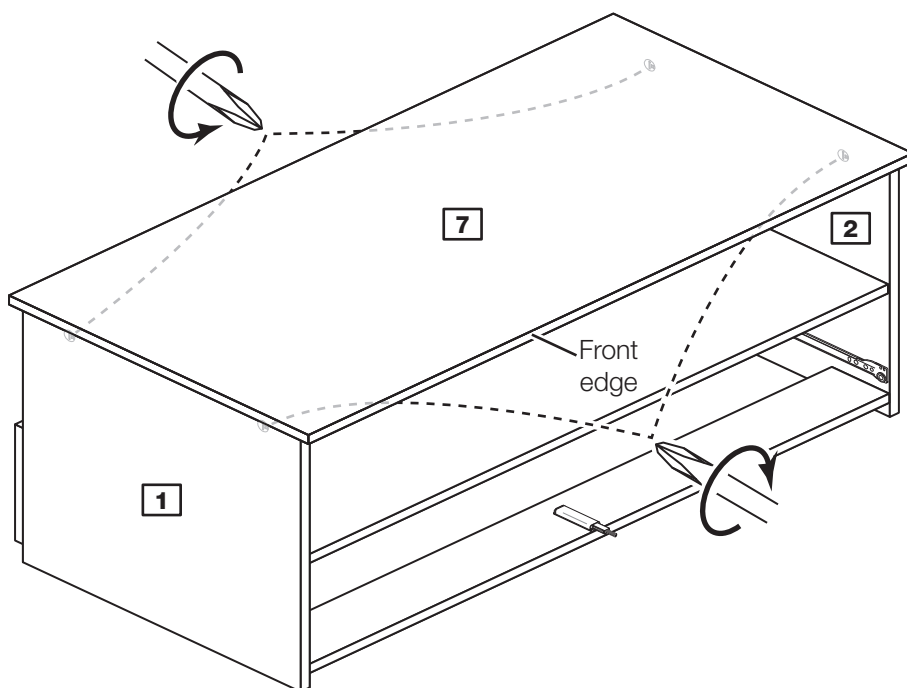


Step 19

Fit the top

Push the top **7** down onto the assembly.

Use a screwdriver to tighten the 4 large locking nuts **E** fitted to the left side **1** and right side **2**.



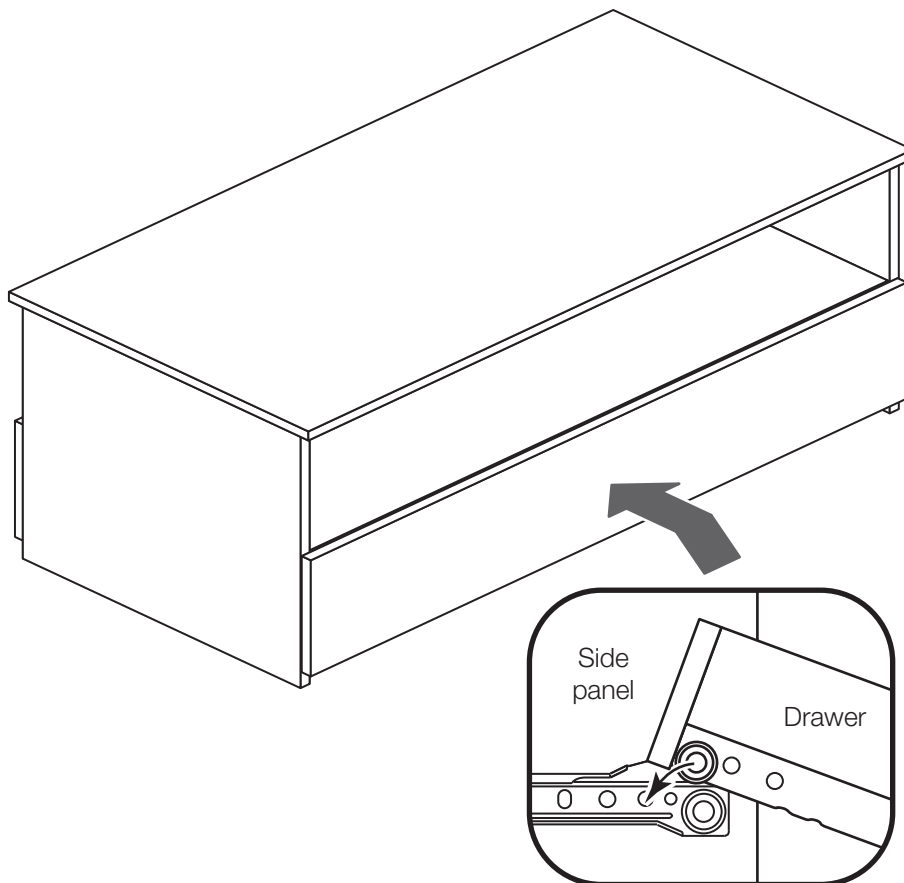
Assembly Instructions

Step 20

Fit the drawer

Slide the wheels of the runners fitted to the drawer, over the wheels of the runners fitted to the side panels and push the drawer into position.

Assembly is complete

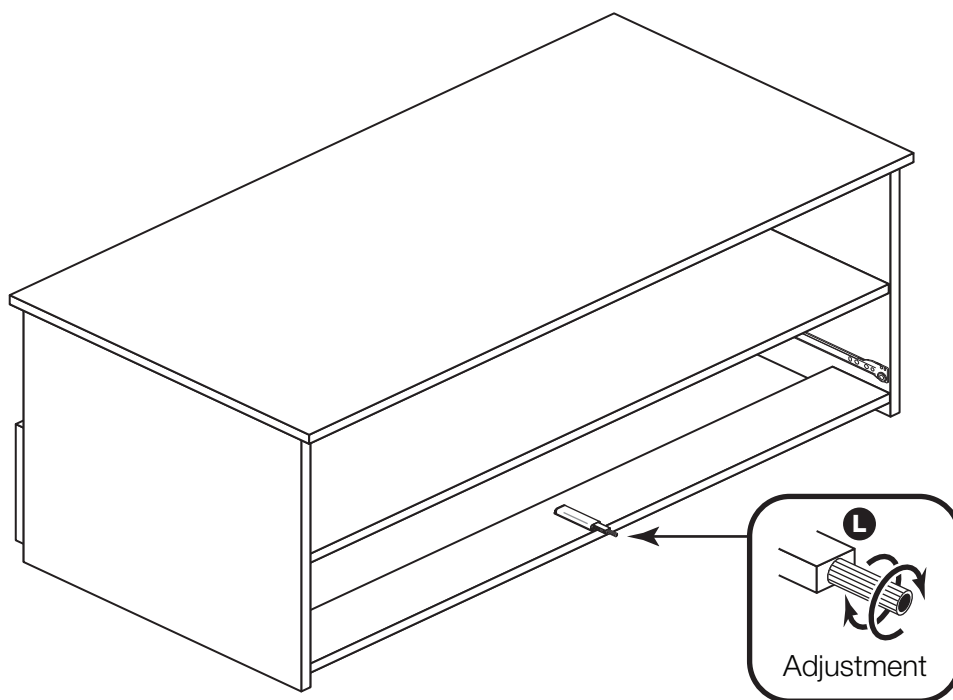


Note: Now the assembly has finished you can remove any protective film from the panels.

Step 21

Adjust the drawer if required

You can adjust the door push for the drawer in or out, by turning it clockwise or anti-clockwise to suit your requirements.



If you need help or have damaged or missing parts, call the **Customer Helpline: 08456 400800** and quote the reference numbers on the component pages.

Argos Ltd, 489-499 Avebury Boulevard, Central Milton Keynes, MK9 2NW

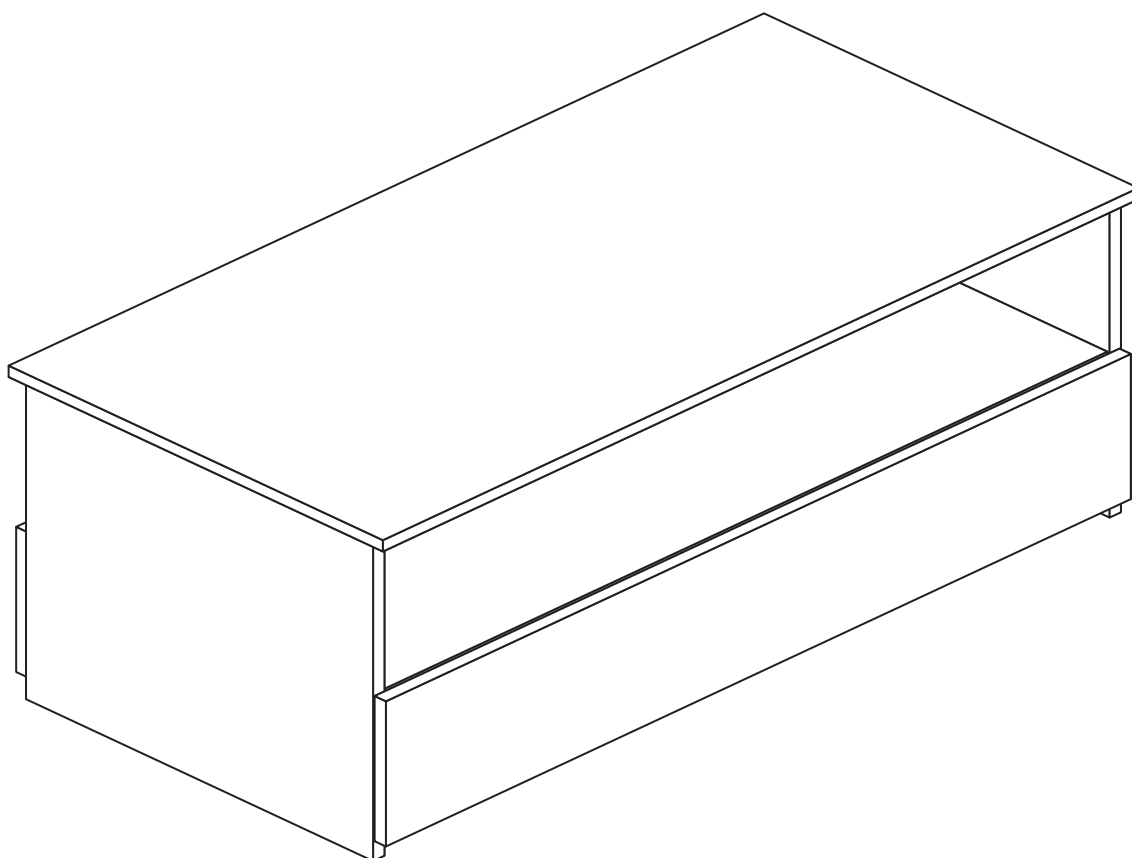
Aurora - Coffee Table

Assembly Instructions - Please keep for future reference

147/1360

166/6553

417/9009



Dimensions

Width - 100cm

Depth - 49.5cm

Height - 43.5cm



**MADE IN
BRITAIN**

Important - Please read these instructions fully before starting assembly

If you need help or have damaged or missing parts, call the **Customer Helpline: 03456 400800**



Safety and Care Advice

Important - Please read these instructions fully before starting assembly

- **Warning:** This unit weighs approximately 26kgs. Please lift with care.

- Check you have all the components and tools listed on pages 2 and 3.

- Remove all fittings from the plastic bags and separate them into their groups.

- Keep children and animals away from the work area, small parts could choke if swallowed.

- Parts of the assembly will be easier with 2 people.

- Make sure you have enough space to layout the parts before starting.

- Do not stand or put weight on the product, this could cause damage.

- Assemble the item as close to its final position (in the same room) as possible.

- Assemble on a soft level surface to avoid damaging the unit or your floor (use opened out unit carton).



- We do not recommend the use of power drill/drivers **for inserting screws**, as this could damage the unit. Only use hand screwdrivers.

- **Safety note:** If there is any chance of this unit being pulled over by children etc. it is recommended that the unit is secured to a wall using suitable fixings (not supplied).

- Dispose of all packaging carefully and responsibly.

Care and maintenance

- Only clean using a damp cloth and mild detergent, do not use bleach or abrasive cleaners.

- From time to time check that there are no loose screws on this unit.

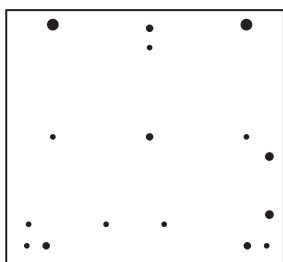
- This product should not be discarded with household waste. Take to your local authority waste disposal centre.

Note: If required the next page can be cut out and used as reference throughout the assembly. Keep this page with these instructions for future reference.

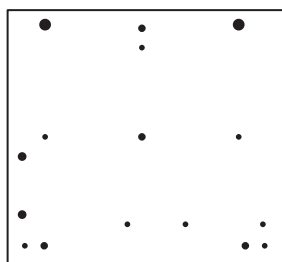
Components - Panels

If you have damaged or missing components, call the **Customer Helpline: 03456 400800** quoting the reference numbers below

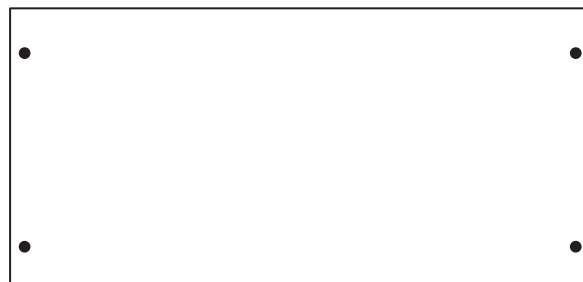
Please check you have all the panels listed below



1 Left Side (D2638A)
(420 x 459mm)



2 Right Side (D2639A)
(420 x 459mm)



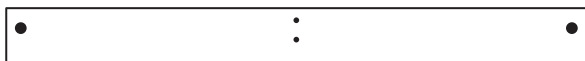
3 Horizontal (D2640A)
(959 x 456mm)



4 Back (D2641A)
(985 x 192mm)



5 Drawer Front (D2642A)
(985 x 192mm)



6 Rail (D2643A)
(959 x 95mm) x 3



7 Top (D2644A)
(999 x 495mm)



8 Drawer Base (T919-347)
(919 x 347mm)



9 Left Drawer Side (W350-115LLH)
(350 x 115mm)



10 Right Drawer Side (W350-115LRH)
(350 x 115mm)



11 Drawer Back (W908-115)
(908 x 115mm)

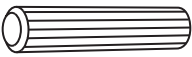
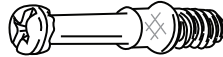



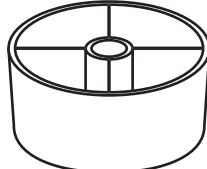


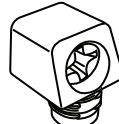

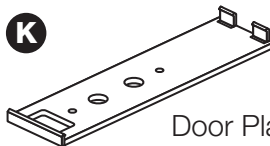
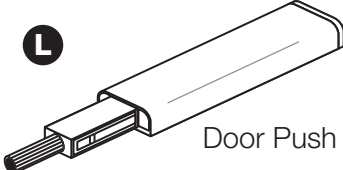
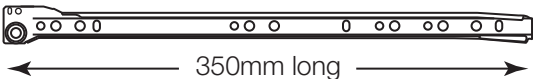

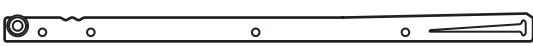
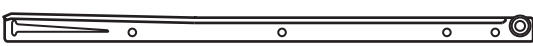



Components - Fittings

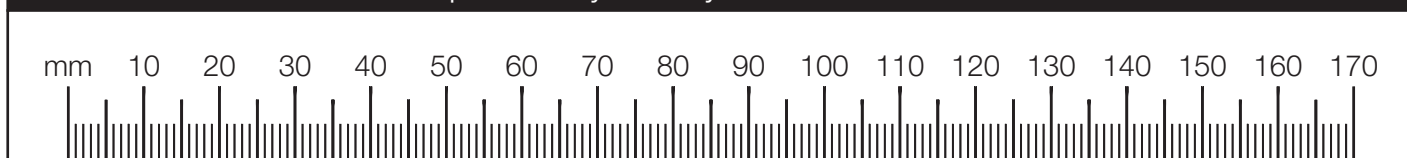
If you have damaged or missing components, call the
Customer Helpline: 03456 400800 quoting the reference
 numbers below

Please check you have all the fittings listed below

Note: The quantities below are the correct amount to complete the assembly. In some cases more fittings may be supplied than are required.

<p>A </p> <p>Wooden dowel (F22) x 10</p>	<p>B </p> <p>Metal dowel (F901) x 16</p>	<p>C </p> <p>Knock-in Peg (F171) x 4</p>
<p>D </p> <p>Small locking nut (F3) x 2</p>	<p>E </p> <p>Large locking nut (F900) x 14</p>	<p>F </p> <p>Feet (F854) x 2</p>
<p>G </p> <p>25mm Screw (F50) x 2</p>	<p>H </p> <p>13mm Screw (F52) x 8</p>	<p>I </p> <p>Mini block (F25) x 4</p>
<p>J </p> <p>13mm Screw (F63) x 6</p>	<p>K </p> <p>Door Plate (F259) x 1</p>	<p>L </p> <p>Door Push (F258) x 1</p>
<p>M a  L Runner (F159) x 1 ← 350mm long →</p> <p>M b  R Runner (F160) x 1</p> <p>M c  L Runner (F161) x 1</p> <p>M d  R Runner (F162) x 1</p>		<p>N </p> <p>Wedgefix (F639) x 6</p>

Ruler - Use this ruler to help correctly identify the screws



Assembly Instructions

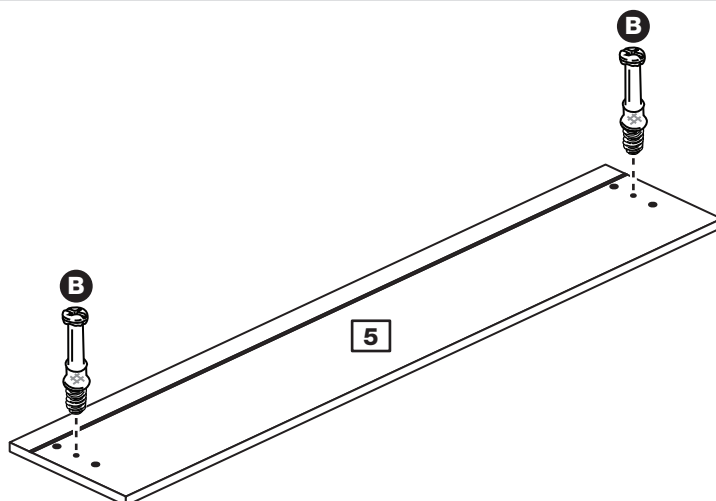
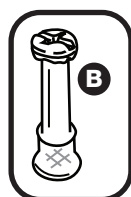
If you have damaged or missing components, call the **Customer Helpline: 03456 400800** quoting the reference numbers below

Step 1

Prepare the drawer front

Screw 2 metal dowels **B** into the holes shown on the back of the drawer front **5**.

Note: Tighten the metal dowels up fully against the panels.

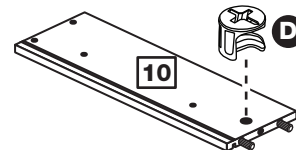
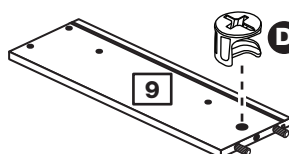
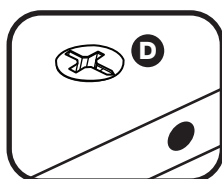


Step 2

Prepare the drawer sides

Insert a small locking nut **D** into the hole shown on the left drawer side **9** and right drawer side **10**.

Note: Arrow on locking nut **must** point towards hole in edge of panel.



Step 3

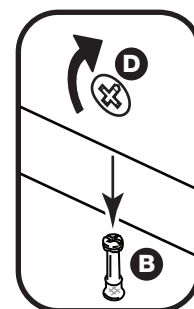
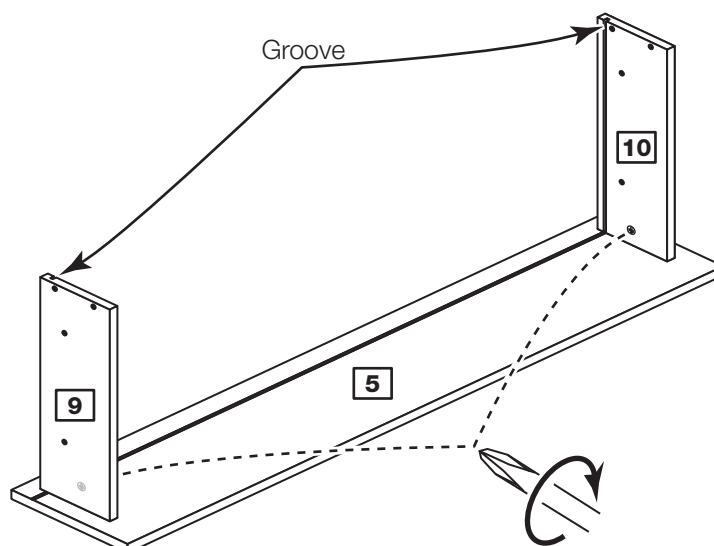
Attach the drawer sides to the drawer front

Push the left drawer side **9** and right drawer side **10** onto the back of the drawer front **5**.

Turn the small locking nuts **D** on the left drawer side **9** and right drawer side **10**.

Note: Turn the locking nuts clockwise to secure panels - more than 1/2 a turn.

Note: The locking nuts can be on either surface of the drawer sides. Make sure that the groove is on the inside, as shown.

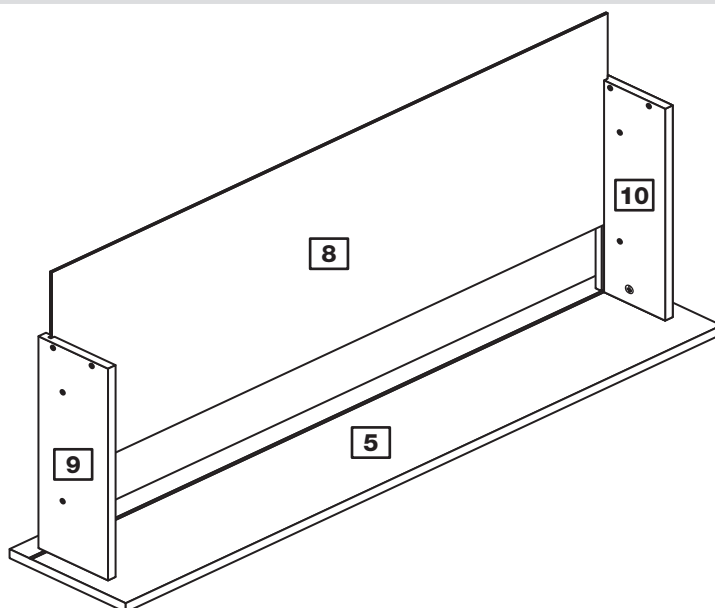


Assembly Instructions

Step 4

Fit the drawer base

Slide the drawer base **8** down the grooves in the drawer sides **9** and **10** and down into the groove in the drawer front **5**.



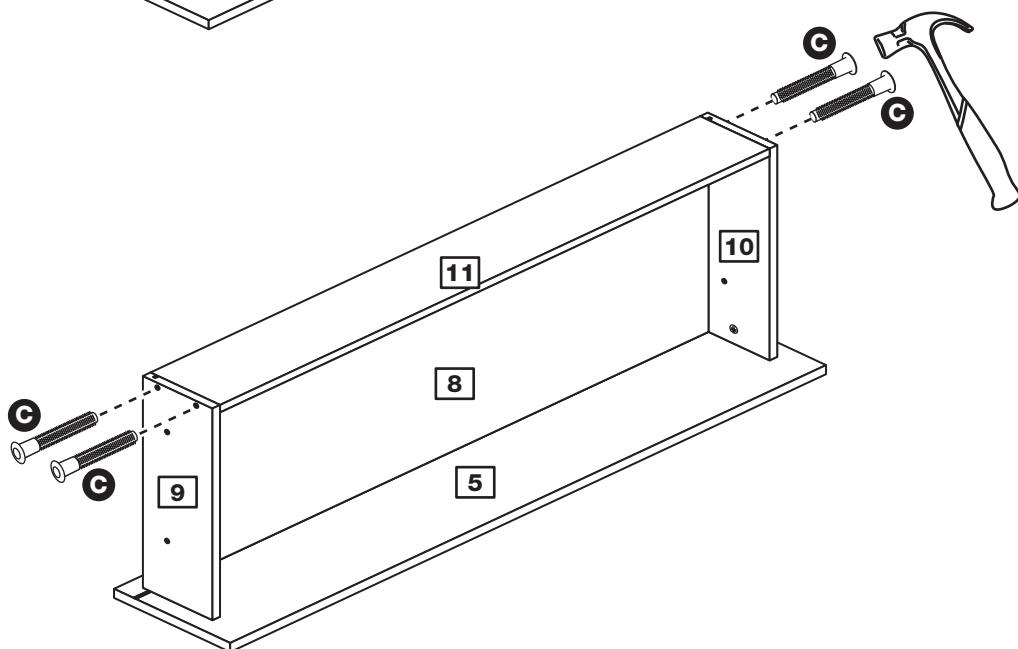
Step 5

Fit the drawer back

Fit the drawer back **11** between the drawer sides **9** and **10**.

Make sure that the drawer base **8** fits into the groove in the drawer back **11**.

Hold the drawer back **11** in position and tap the knock-in pegs **C** through the holes in the drawer sides **9** and **10**.



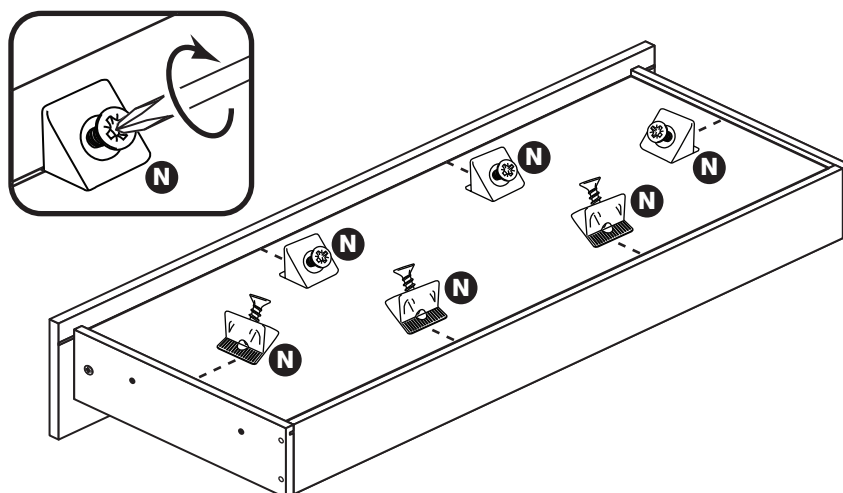
Step 6

Fit the 6 wedgexes

Turn the drawer assembly over.

Slide the wedgexes **N** into the small grooves on the drawer assembly, as shown.

Once in place, tighten up the screws.



Assembly Instructions

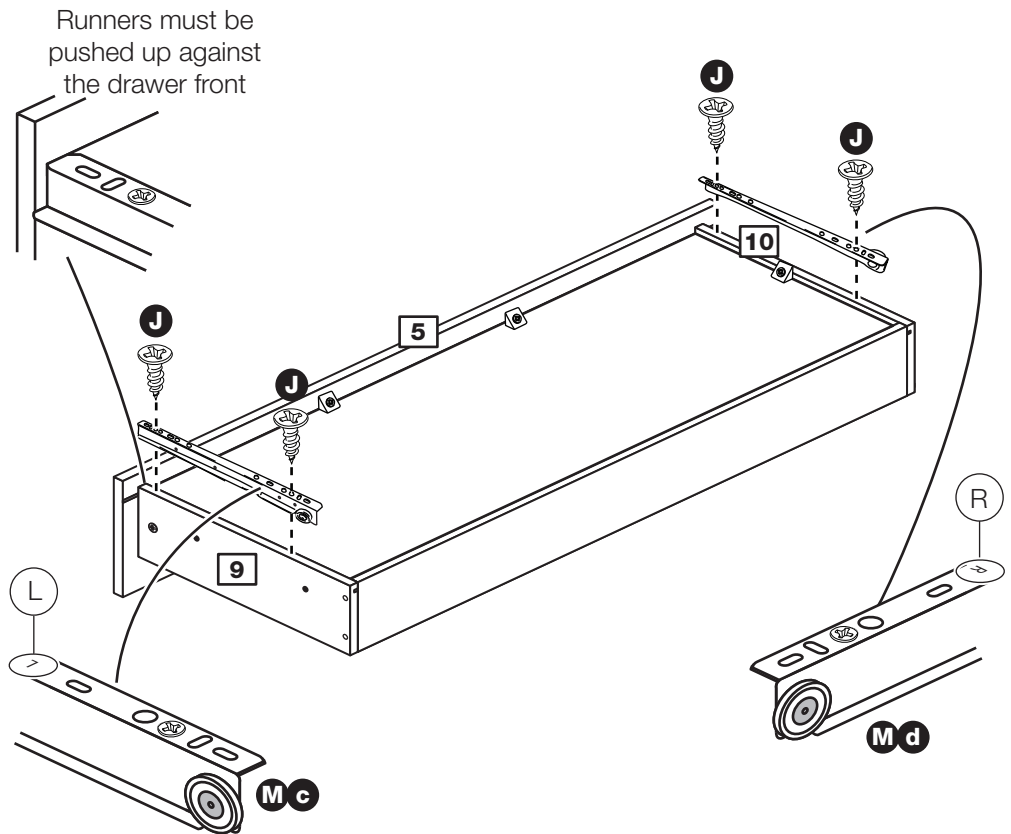
Step 7

Fit the runners to the drawer

Turn the drawer assembly over.

Fit runner **(M d)**, marked with 'R', to the bottom edge of the right drawer side **(10)**, as shown, making sure that it is pushed up against the back of the drawer front **(5)**. Use a bradawl to mark the fixing positions, then secure with 2 screws **(J)**.

Fit runner **(M c)**, marked 'L', to the bottom edge of the left drawer side **(9)** using the same method.



Step 8

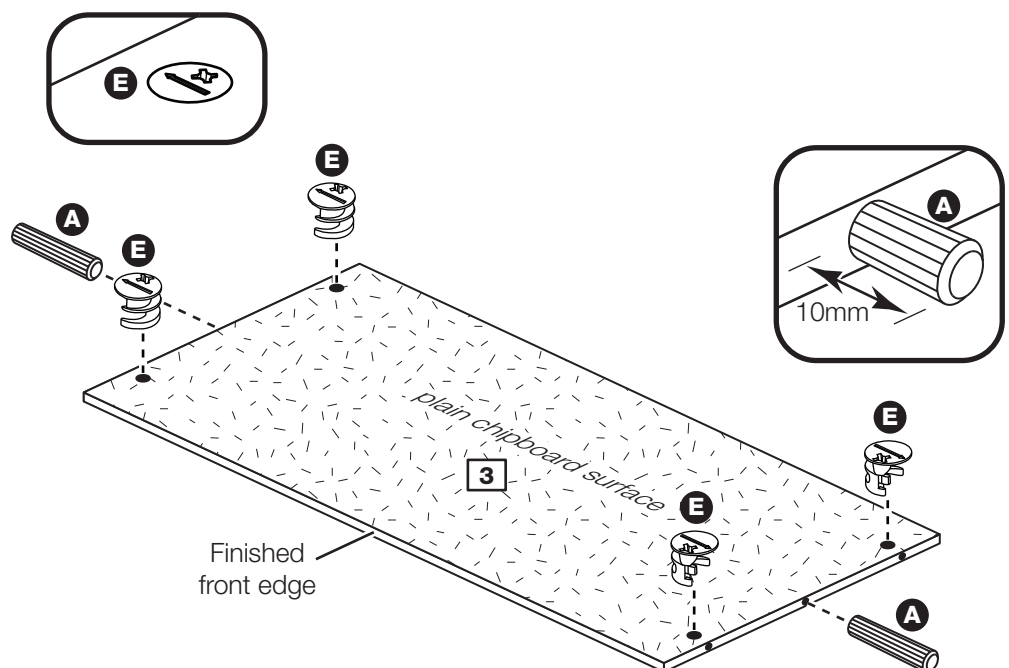
Prepare the horizontal

Tap 2 wooden dowels **(A)** into the horizontal **(3)**.

Note: Wooden dowels **must not** stick out from the edge by more than 10mm or they may damage other panels.

Insert 4 large locking nuts **(E)** into the horizontal **(3)**.

Note: The arrow on the locking nut **must** point towards the hole in the edge of the panel.



Assembly Instructions

Step 9

Prepare the left side

a: Tap a wooden dowel **A** into the left side **1**.

Screw 5 metal dowels **B** into the left side **1**.

b: Insert 2 large locking nuts **E** into the left side **1**.

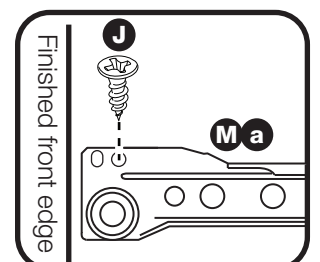
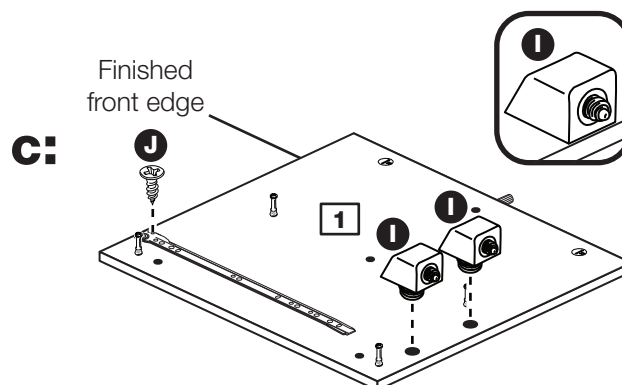
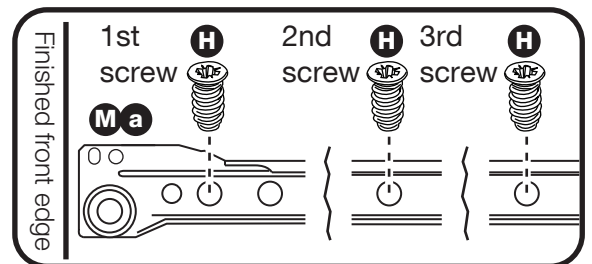
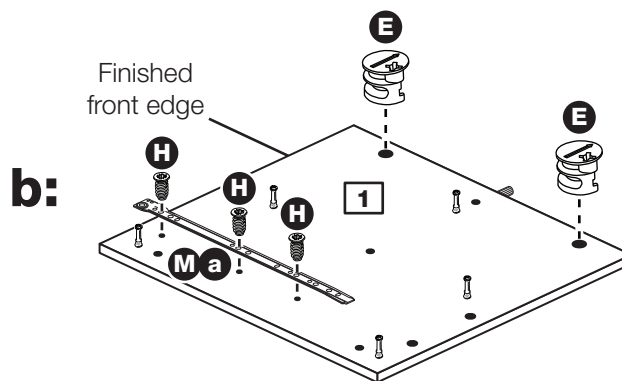
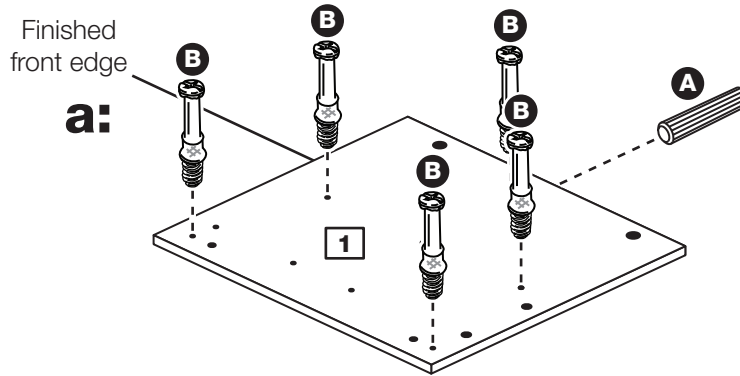
Fit the runner **Ma** to the left side **1**.

The 1st screw **H** uses the 2nd hole in from the front of the runner.

The 2nd and 3rd screws **H** use the holes that line up with the other panel holes.

c: Fit a screw **J** into the 2nd hole in at the top of the runner **Ma**.

Gently tap 2 mini blocks **I** into the left side **1**, orientated as shown.



Assembly Instructions

Step 10

Prepare the right side

a: Tap a wooden dowel **A** into the right side **2**.

Screw 5 metal dowels **B** into the right side **2**.

b: Insert 2 large locking nuts **E** into the right side **2**.

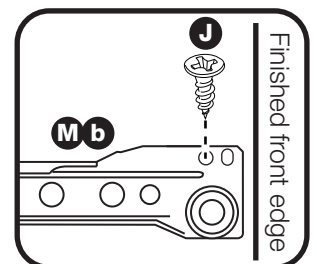
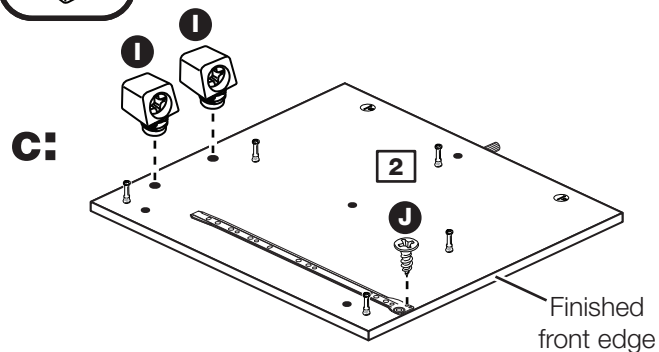
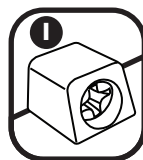
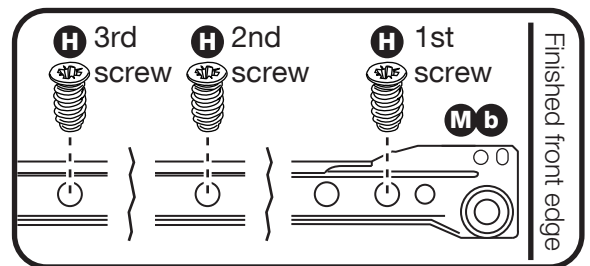
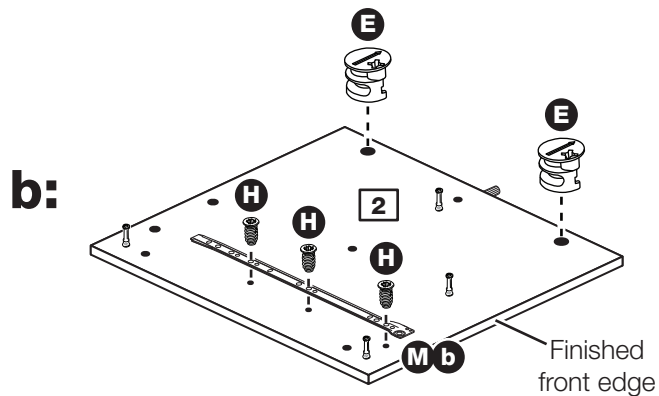
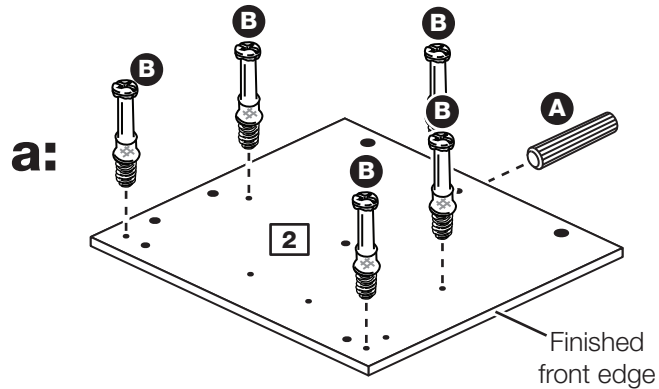
Fit the runner **M b** to the right side **2**.

The 1st screw **H** uses the 2nd hole in from the front of the runner.

The 2nd and 3rd screws **H** use the holes that line up with the other panel holes.

c: Fit a screw **J** into the 2nd hole in at the top of the runner **M b**.

Gently tap 2 mini blocks **I** into the right side **2**, orientated as shown.



Assembly Instructions

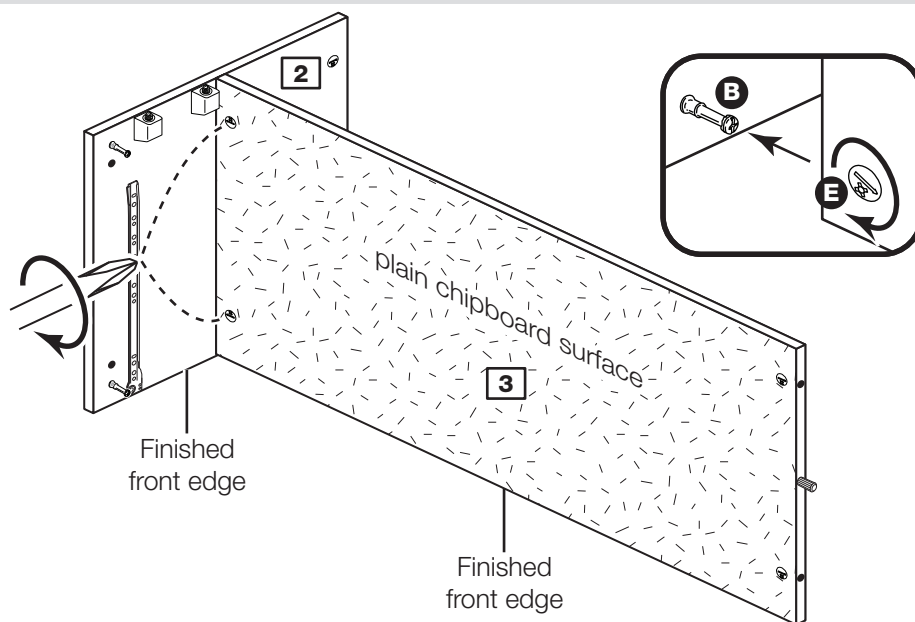
Step 11

Join the right side and horizontal

Push the horizontal **3** onto the right side **2**.

Use a screwdriver to tighten the 2 large locking nuts **E** fitted to the horizontal **3**.

Note: Turn the large locking nuts **E** as far as they will go - more than 1/2 a turn.

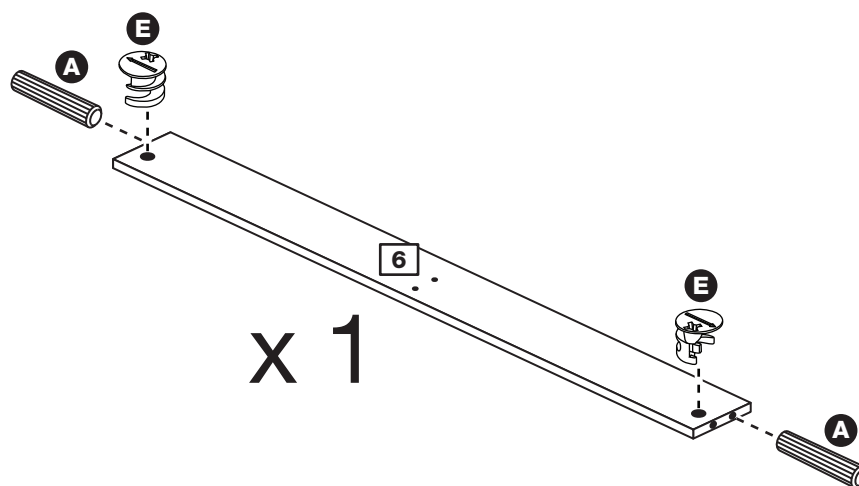


Step 12

Prepare 1 of the rails

Tap 2 wooden dowels **A** into a rail **6**.

Insert 2 large locking nuts **E** into a rail **6**.



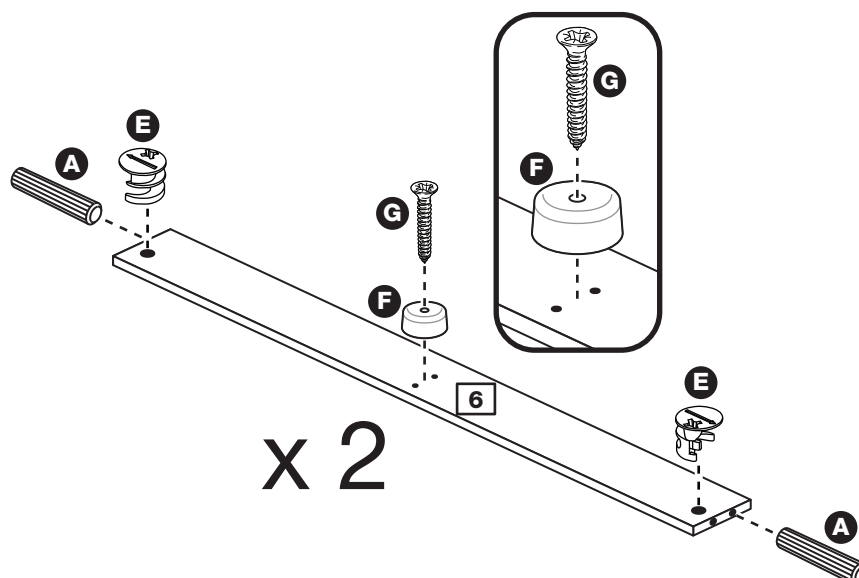
Step 13

Prepare the other 2 rails

Tap 2 wooden dowels **A** into each rail **6**.

Insert 2 large locking nuts **E** into each rail **6**.

Screw a foot **F** onto each rail **6** between the 2 pre-drilled holes using screws **G**.



Assembly Instructions

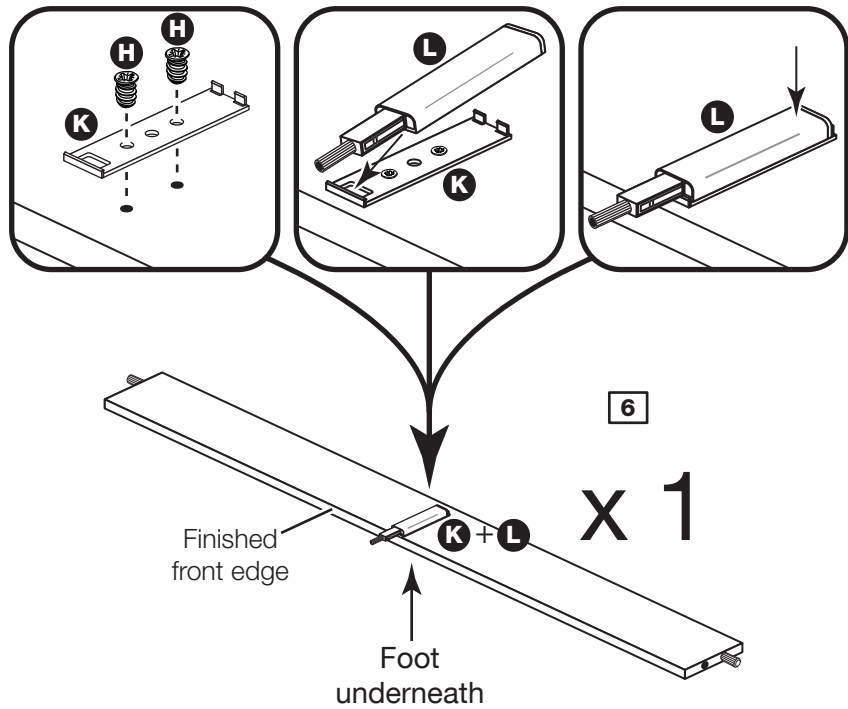
Step 14

Turn over 1 of the rails with a foot and fit the door push

Fit a door plate **K** to one of the rails **6** using screws **H**.

Press the door push **L** into the door plate **K**.

Press down the back of the door push **L** to click into place.

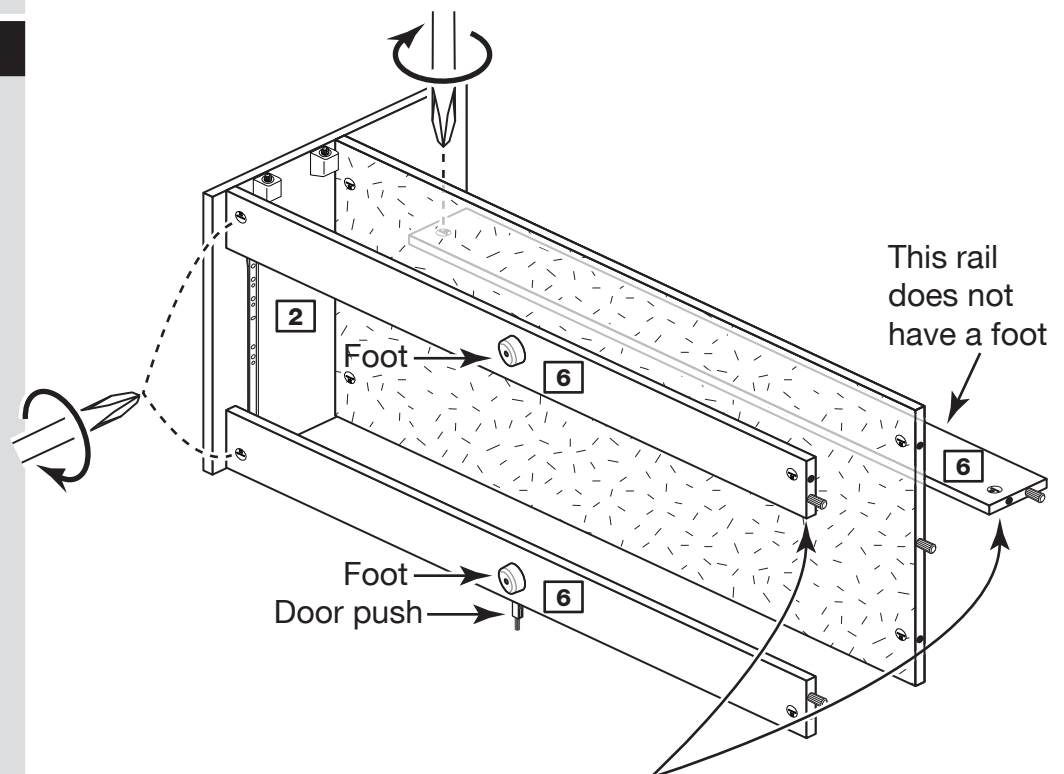


Step 15

Fit the 3 rails

Push the rails **6** onto the right side **2**.

Use a screwdriver to tighten the 3 large locking nuts **E** fitted to the rails **6**.



Note: Support these 2 rails until the left side has been fitted.

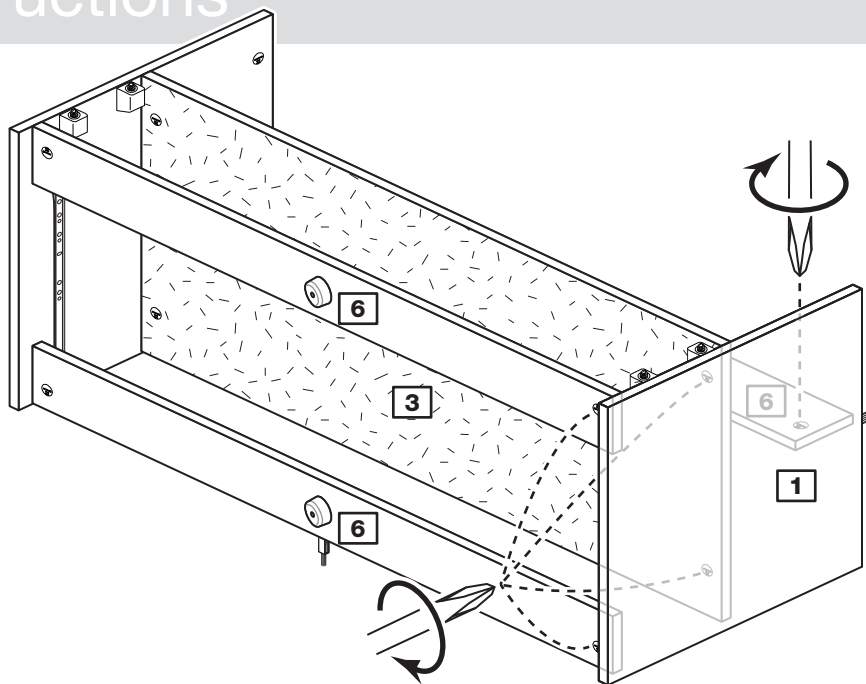
Assembly Instructions

Step 16

Fit the left side

Push the left side **1** onto the assembly.

Use a screwdriver to tighten the 5 large locking nuts **E** fitted to the horizontal **3** and the rails **6**.



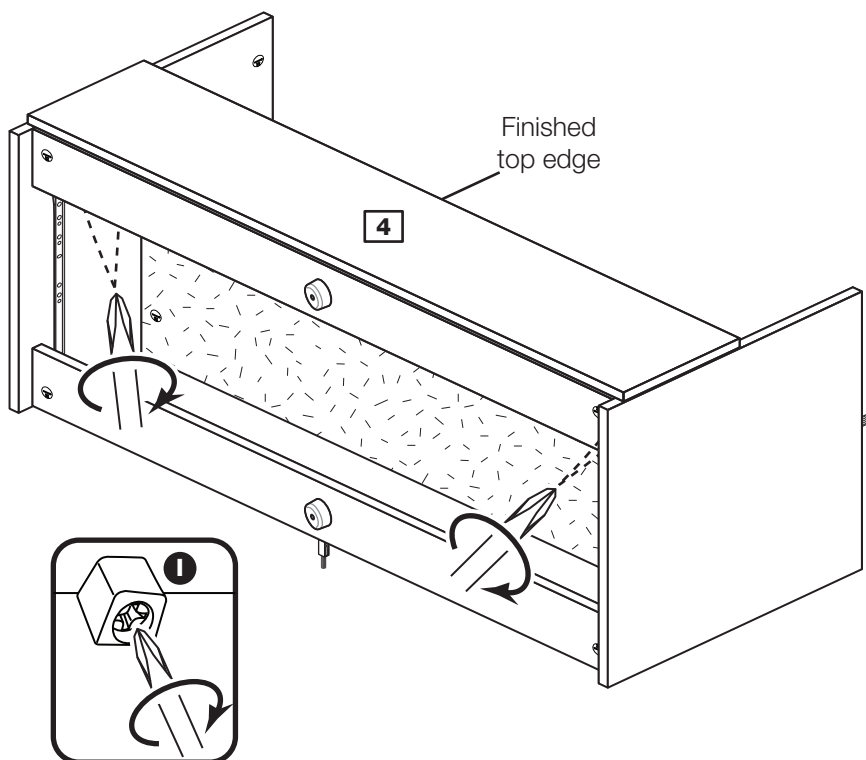
Step 17

Fit the back

Push the holes in the back **4** down onto the 4 mini blocks **I** fitted to the sides.

Tighten up the screws in the 4 mini blocks **I** into the holes in the back **4**.

Carefully stand the unit up for the next step.



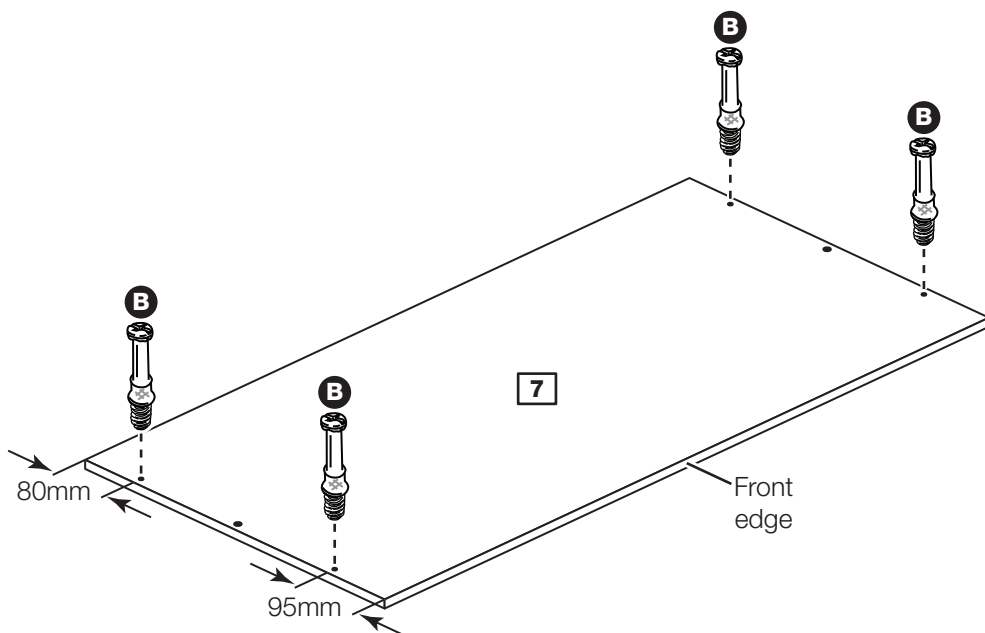
Assembly Instructions

Step 18

Prepare the top

Screw 4 metal dowels **B** into the top **7**.

Use the measurements of the holes to determine which is the front edge.

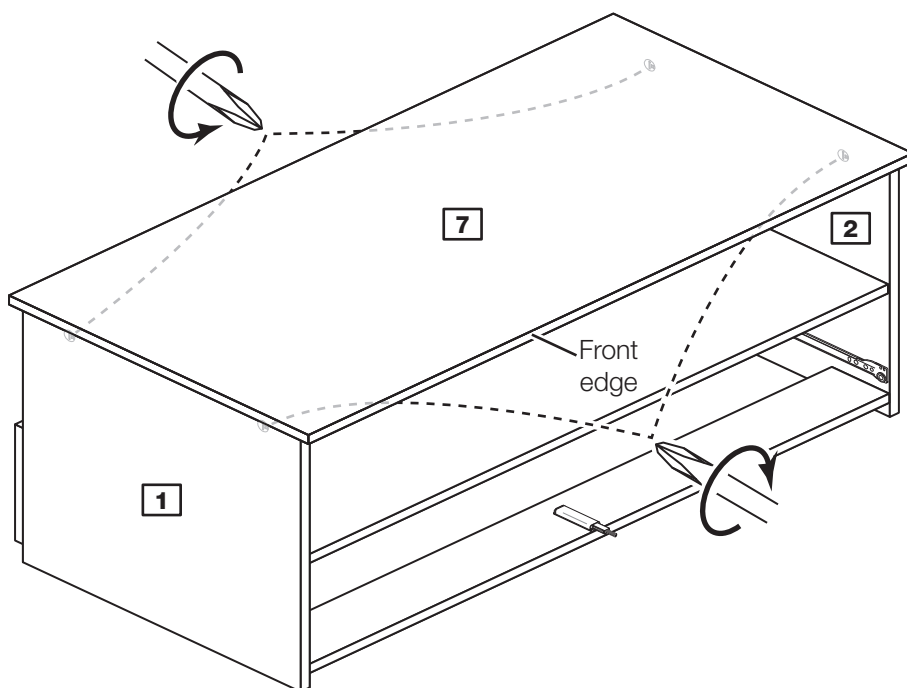


Step 19

Fit the top

Push the top **7** down onto the assembly.

Use a screwdriver to tighten the 4 large locking nuts **E** fitted to the left side **1** and right side **2**.



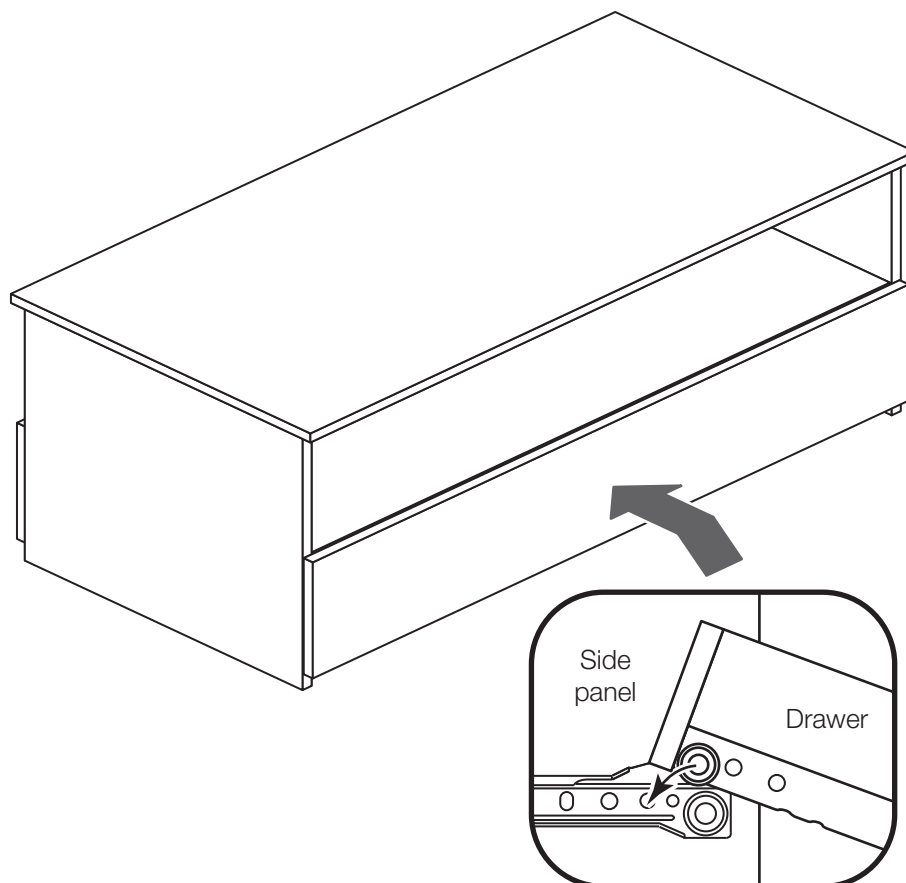
Assembly Instructions

Step 20

Fit the drawer

Slide the wheels of the runners fitted to the drawer, over the wheels of the runners fitted to the side panels and push the drawer into position.

Assembly is complete

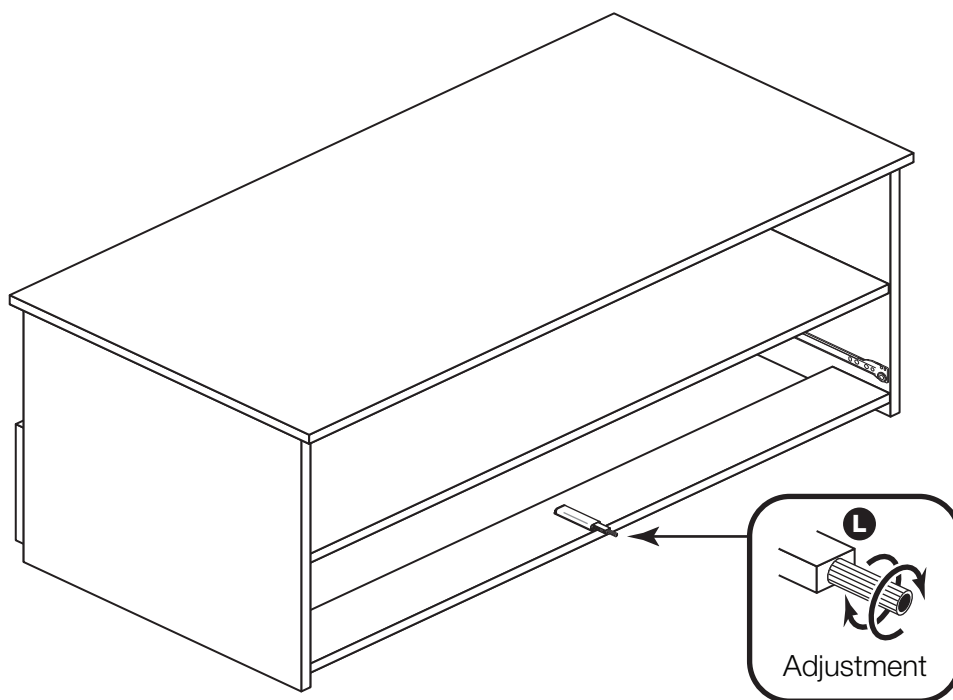


Note: Now the assembly has finished you can remove any protective film from the panels.

Step 21

Adjust the drawer if required

You can adjust the door push for the drawer in or out, by turning it clockwise or anti-clockwise to suit your requirements.



If you need help or have damaged or missing parts, call the **Customer Helpline: 03456 400800** and quote the reference numbers on the component pages.

Argos Ltd, 489-499 Avebury Boulevard, Central Milton Keynes, MK9 2NW

