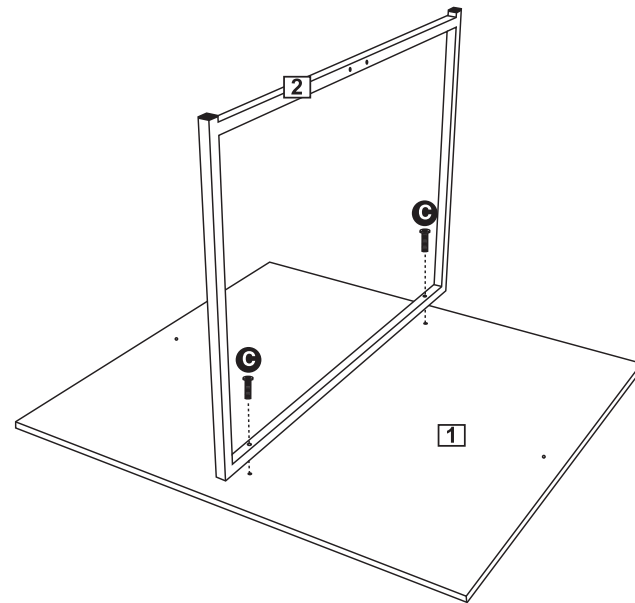


# Assembly Instructions

## Step 1

Attach Table leg **2** to Table top **1** with Bolts **C** using Allen key **D**.

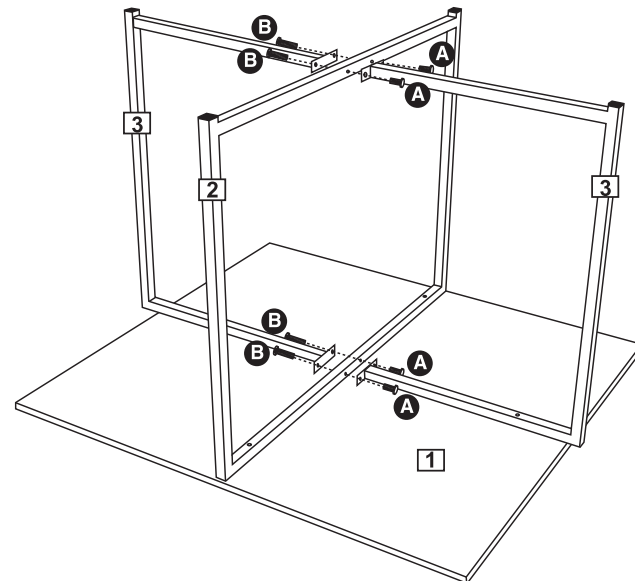
**Do not fully tighten bolts at this step.**



## Step 2

Attach Table leg **3** to Table leg **2** with Nut **A** and Bolts **B** using Allen key **D**.

**Do not fully tighten bolts at this step.**

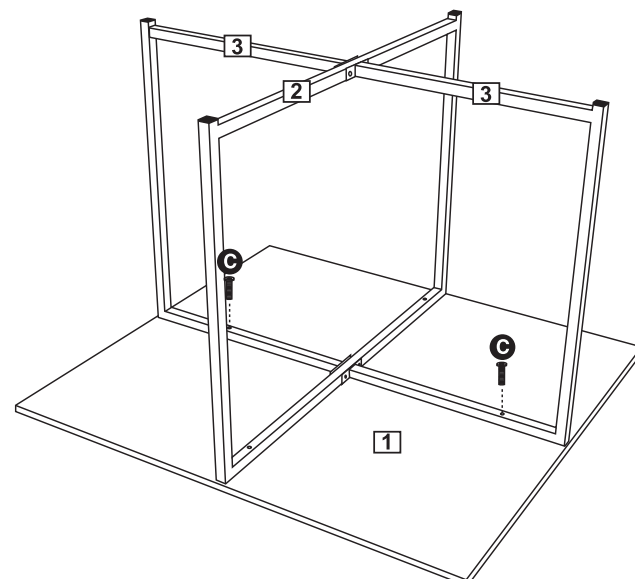


## Step 3

Attach Table leg **3** to Table top **1** with Bolts **C** using Allen key **D**.

**Tighten all the bolts.**

**Assembly is complete.**



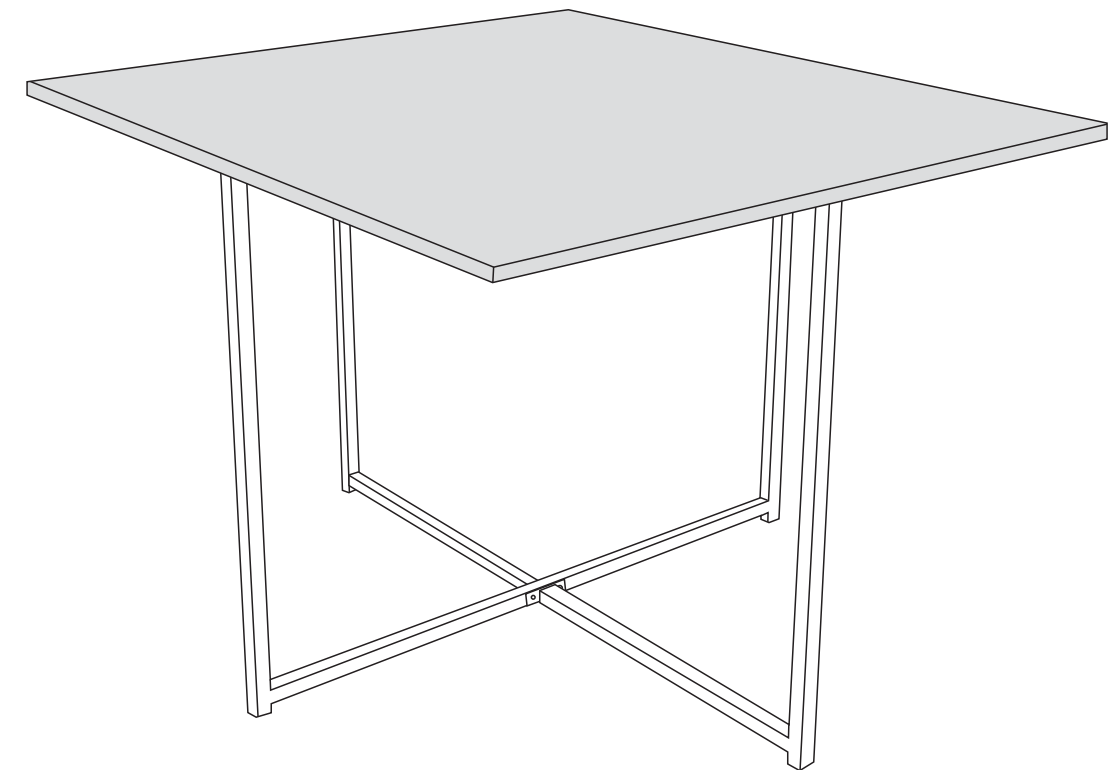
# Hygena Lucia Space Saver - Table

Assembly Instructions - Please keep for future reference

157/2881

147/0725

**hygena**



## Dimensions

Width - 110cm  
Depth - 100cm  
Height - 76cm

**Important - Please read these instructions fully before starting assembly**

If you need help or have damaged or missing parts, call the Customer Helpline: 08456 400800

# ! Safety and Care Advice

**Important - Please read these instructions fully before starting assembly**

- Check you have all the components and tools listed on pages 2.

- Remove all fittings from the plastic bags and separate them into their groups.

- Keep children and animals away from the work area, small parts could choke if swallowed.

- Make sure you have enough space to layout the parts before starting.

- Do not stand or put weight on the product, this could cause damage.

- Assemble the item as close to its final position (in the same room) as possible.

- Assemble on a soft level surface to avoid damaging the unit or your floor.

- Part of the assembly will be easier with 2 people.



- We do not recommend the use of power drill/drivers **for inserting screws**, as this could damage the unit. Only use hand screwdrivers.

- Dispose of all packaging carefully and responsibly.

## Care and maintenance

- Only clean using a damp cloth and mild detergent, do not use bleach or abrasive cleaners.

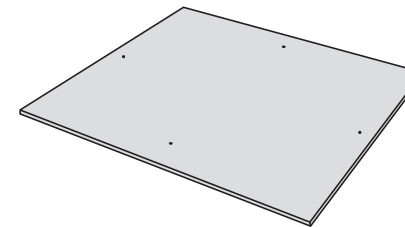
- From time to time check that there are no loose screws on this unit.

- This product should not be discarded with household waste. Take to your local authority waste disposal centre.

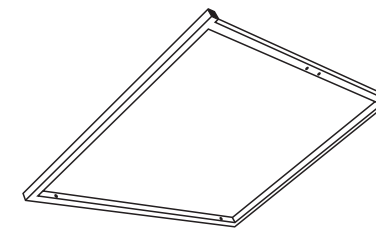
# Components - Parts

If you have damaged or missing components, call the Customer Helpline: 08456 400800

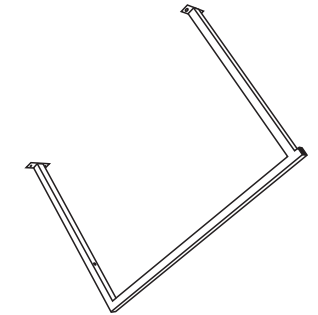
**Please check you have all the parts listed below**



**1** Table top x1  
(110 x 100 x 1.8cm)



**2** Table Leg x1  
(98 x 74 x 2.5cm)

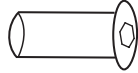
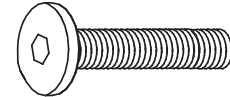
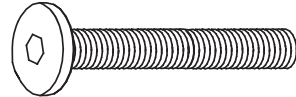
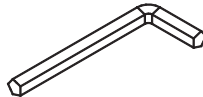


**3** Table Leg x2  
(74 x 52.5 x 8.5cm)

# Components - Fittings

**Please check you have all the fittings listed below**

**Note:** The quantities below are the correct amount to complete the assembly. In some cases more fittings may be supplied than are required.

<p><b>A</b> </p> <p>Nut x 4</p>	<p><b>B</b> </p> <p>M6 x 23mm Bolt x 4</p>	<p><b>C</b> </p> <p>M6 x 35mm Bolt x 4</p>
<p><b>D</b> </p> <p>Allen key x 2</p>		

## Tools required



Ruler/tape measure

**Ruler - Use this ruler to help correctly identify the screws**



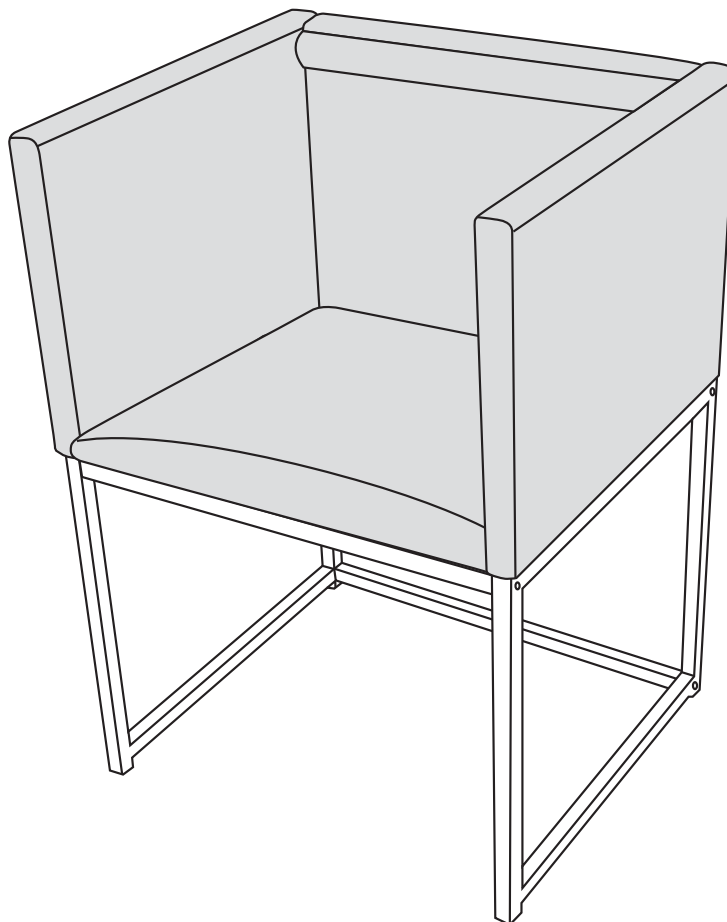
# Hygena Lucia Space Saver - Chair

Assembly Instructions - Please keep for future reference

157/2881

147/0725

**hygena**



## Dimensions

Width - 53cm  
Depth - 46cm  
Height - 73cm

**Important - Please read these instructions fully before starting assembly**

If you need help or have damaged or missing parts, call the Customer Helpline: 08456 400800



# Safety and Care Advice

## Important - Please read these instructions fully before starting assembly

- Check you have all the components and tools listed on pages 2 and 3.
- Remove all fittings from the plastic bags and separate them into their groups.
- Keep children and animals away from the work area, small parts could choke if swallowed.
- Make sure you have enough space to layout the parts before starting.

- Do not stand or put weight on the product, this could cause damage.
- Assemble the item as close to its final position (in the same room) as possible.
- Assemble on a soft level surface to avoid damaging the unit or your floor.
- Part of the assembly will be easier with 2 people.



- We do not recommend the use of power drill/drivers **for inserting screws**, as this could damage the unit. Only use hand screwdrivers.
- Dispose of all packaging carefully and responsibly.
- The maximum safe weight of user: 110kg

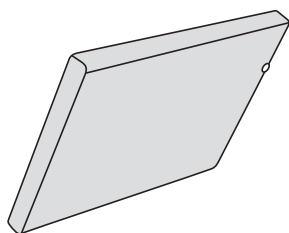
## Care and maintenance

- Only clean using a damp cloth and mild detergent, do not use bleach or abrasive cleaners.
- From time to time check that there are no loose screws on this unit.
- This product should not be discarded with household waste. Take to your local authority waste disposal centre.

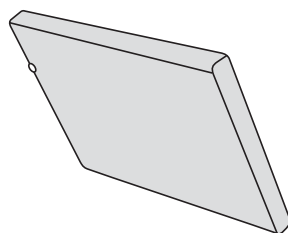
# Components - Parts

If you have damaged or missing components,  
call the Customer Helpline: 08456 400800

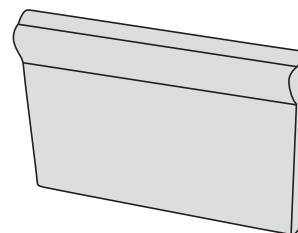
Please check you have all the parts listed below



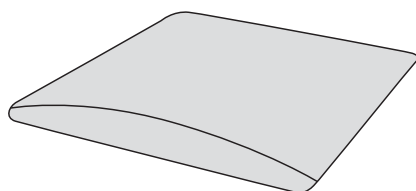
**1** Right armrest x4  
(46.5 x 33.5 x 5cm)



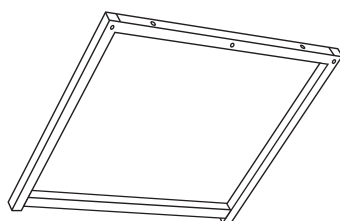
**2** Left armrest x4  
(46.5 x 33.5 x 5cm)



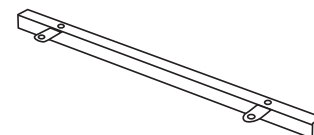
**3** Bracket x4  
(44.5 x 33.5 x 6cm)



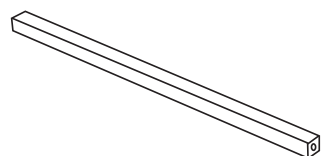
**4** Seat pad x4  
(46 x 43.5 x 5.5cm)  
(packed in box1)



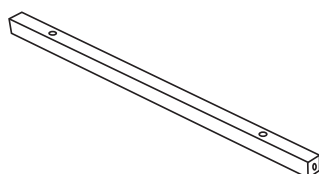
**5** Side leg x8  
(45 x 39.5 x 2cm)



**6** Back stretcher x4  
(46.5 x 5.5 x 2cm)



**7** Stretcher x8  
(46.5 x 2 x 2cm)

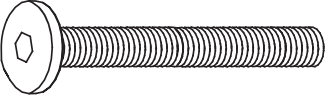
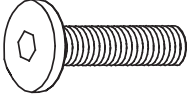
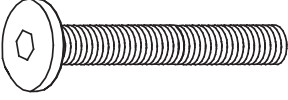
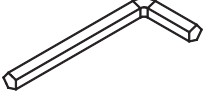


**8** Front stretcher x4  
(46.5 x 2 x 2cm)

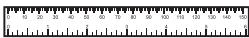
# Components - Fittings

Please check you have all the fittings listed below

**Note:** The quantities below are the correct amount to complete the assembly. In some cases more fittings may be supplied than are required.

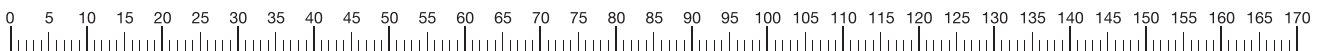
<b>A</b>  M6 x 45mm Bolt x 24	<b>B</b>  M6 x 15mm Bolt x 8	<b>C</b>  M6 x 35mm Bolt x 40
<b>D</b>  Allen key x 1		

## Tools required



Ruler/tape  
measure

Ruler - Use this ruler to help correctly identify the screws

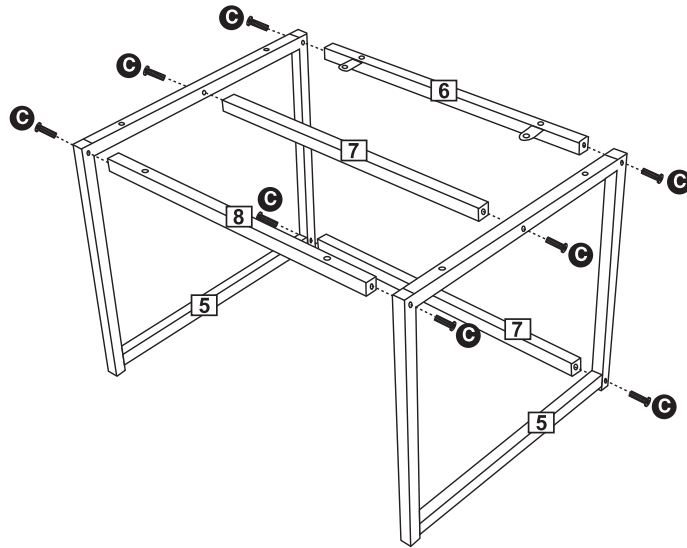


# Assembly Instructions

## Step 1

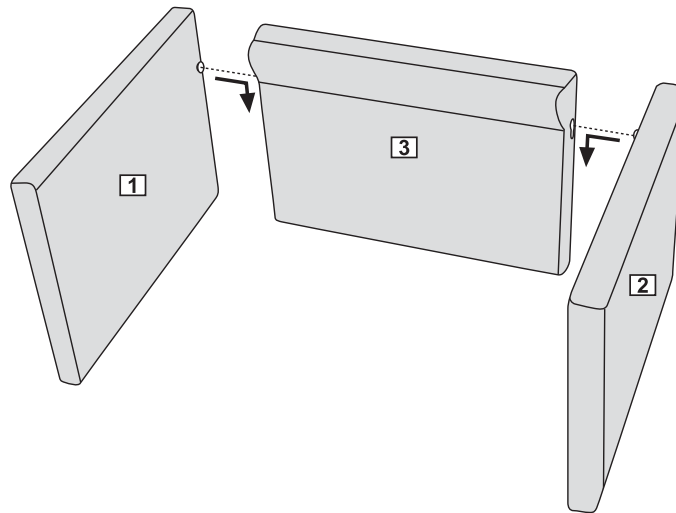
Attach Stretcher **6** **7**  
and **8** to Side leg **5**  
with bolts **C** using  
Allen key **D**.

**Do not fully tighten  
bolts at this step.**



## Step 2

Attach Right armrest **1**  
and Left armrest **2** to  
backrest **3**



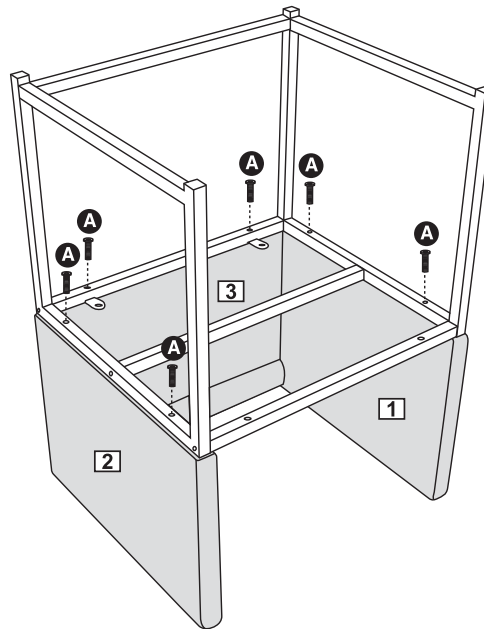
If you need help or have damaged or missing parts, call the Customer Helpline: 08456 400800

# Assembly Instructions

## Step 3

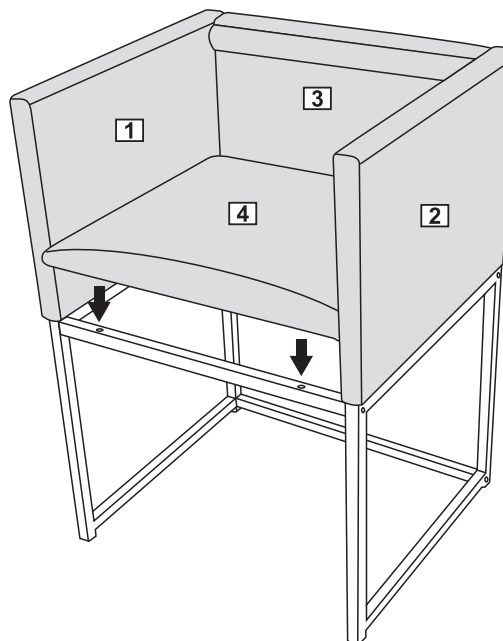
Attach base frame to armrest and backrest with Bolt **A** using Allen key **D**.

**Do not fully tighten bolts at this step.**



## Step 4

Place the Seat pad **4** on the frame.



If you need help or have damaged or missing parts, call the Customer Helpline: 08456 400800

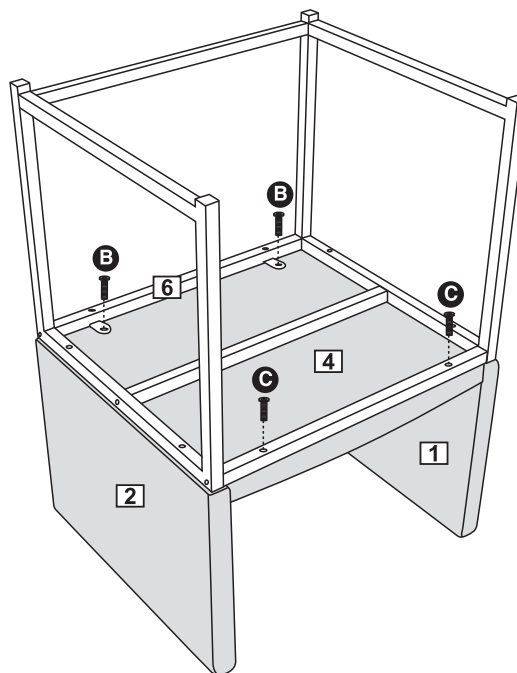


# Assembly Instructions

## Step 5

Attach Seat pad **4** to the frame with Bolt **B** and Bolt **C** using Allen key **D**.

**Tighten all the bolts.**



**Assembly is complete.**

If you need help or have damaged or missing parts, call the Customer Helpline: 08456 400800