

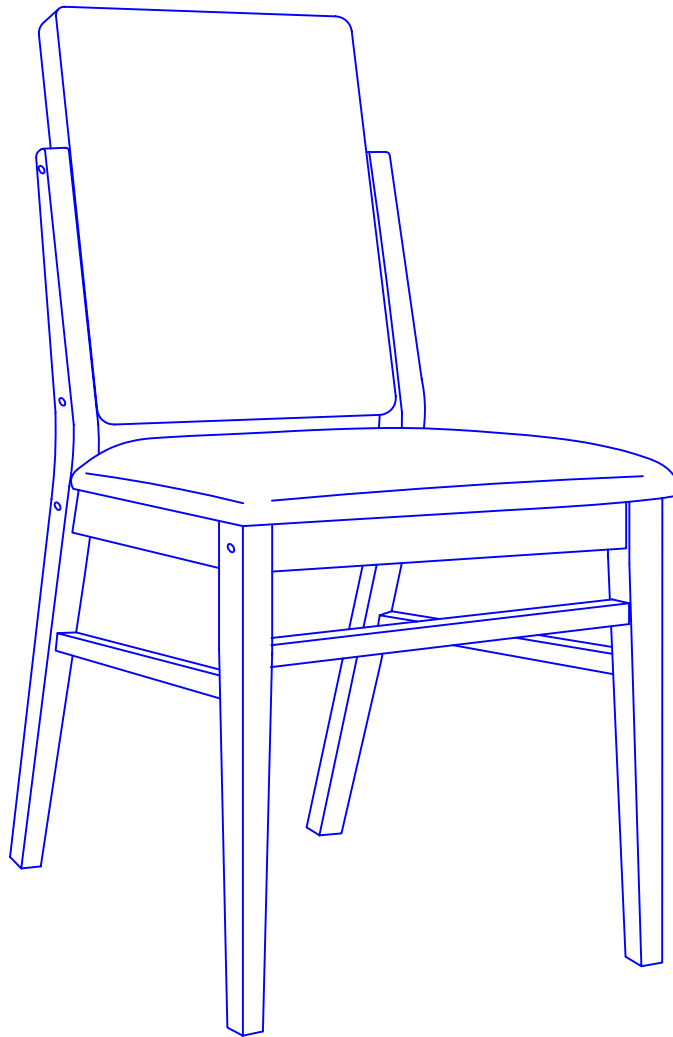
Hygena Riley Chair

Assembly Instructions - Please keep for future reference

144/1455

146/6715

hygena



Dimensions

Width - 43cm

Depth - 57cm

Height - 87cm


Important - Please read these instructions fully before starting assembly

If you need help or have damaged or missing parts, call the **Customer Helpline: 08456 400800**



Safety and Care Advice

Important - Please read these instructions fully before starting assembly

- Check you have all the components and tools listed on page 2 and 3.
 - Remove all fittings from the plastic bags and separate them into their groups.
 - Keep children and animals away from the work area, small parts could choke if swallowed.
 - Make sure you have enough space to layout the parts before starting.
 - Do not stand or put weight on the product during assembly, this could cause damage.
 - Assemble the item as close to its final position (in the same room) as possible.
 - Assemble on a soft level surface to avoid damaging the unit or your floor.
 - Parts of the assembly will be easier with 2 people.
- 
- We do not recommend the use of power drill / drivers **for inserting screws**, as this could damage the unit. Only use hand screwdrivers.
 - Dispose of all packaging carefully and responsibly.
 - The maximum safe weight of user : 110kg.

Care and maintenance

- Only clean using a damp cloth and mild detergent, do not use bleach or abrasive cleaners.
- From time to time check that there are no loose screws on this unit.
- This product should not be discarded with household waste. Take to your local authority waste disposal centre.

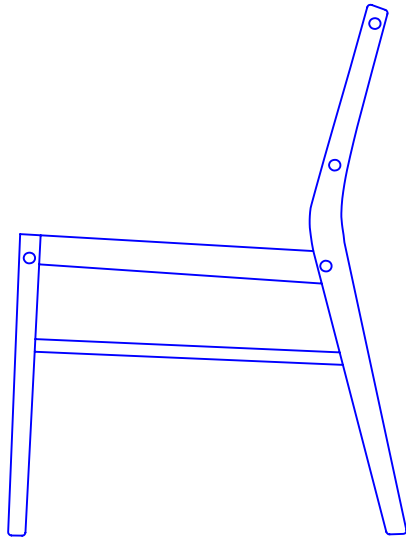
Note: if required the next page can be cut out and used as reference throughout the assembly. Keep this page with these instructions for future reference.

Components - Panels

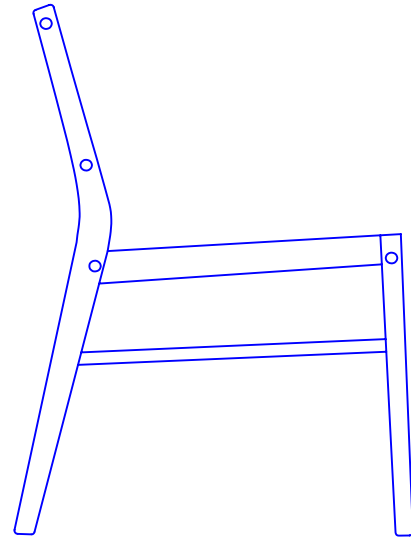
If you have damaged or missing components,
call the Customer Helpline: 08456 400800

Please check you have all the panels listed below

NOTE: Components, listed below are required for one chair only.



1 Left Side Frame x 1
(75.2 x 56.5cm)



2 Right Side Frame x 1
(75.2 x 56.5cm)



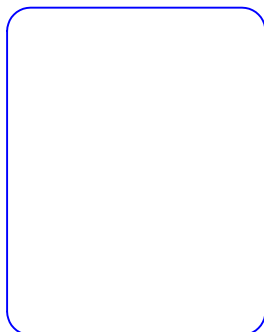
3 Front Stretcher x 1
(34.5 x 4.4cm)



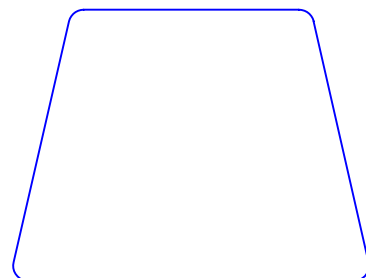
4 Back Stretcher x 1
(32.5 x 4.4cm)



5 Front Rail x 1
(38 x 1.9cm)



6 Back Rest x 1
(42.5 x 32.8cm)




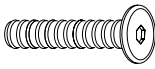
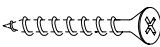
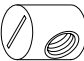

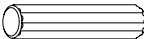

7 Chair Seat x 1
(42.5 x 39cm)



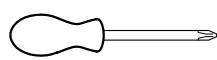
Components - Fittings

Please check you have all the fittings listed below

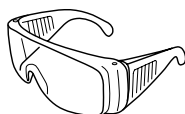
Note: The quantities below are the correct amount to complete the assembly for one chair. In some cases more fittings may be supplied than are required.

<p>A</p>  <p>50mm Bolt x 4</p>	<p>B</p>  <p>45mm Bolt x 4</p>	<p>C</p>  <p>32mm Screw x 6</p>
<p>D</p>  <p>Barrel Nut x 4</p>	<p>E</p>  <p>Wood Button x 8</p>	<p>F</p>  <p>Wood Dowel x 4</p>
<p>G</p>  <p>Allen Key x 1</p>		

Tools required



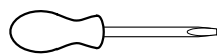
Phillips screwdriver
(medium & large)



Eye protection
(when using a
hammer or glue)



Small
hammer

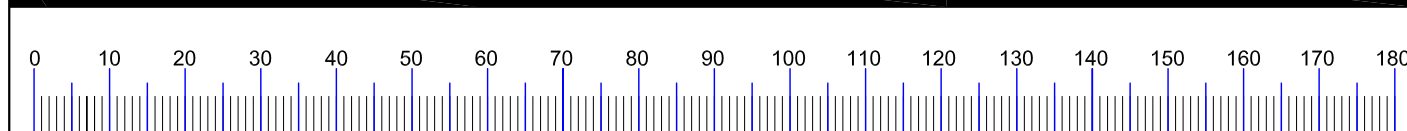


Flatblade screwdriver
(medium)



Ruler/tape
measure

Ruler - Use this ruler to help correctly identify screws.



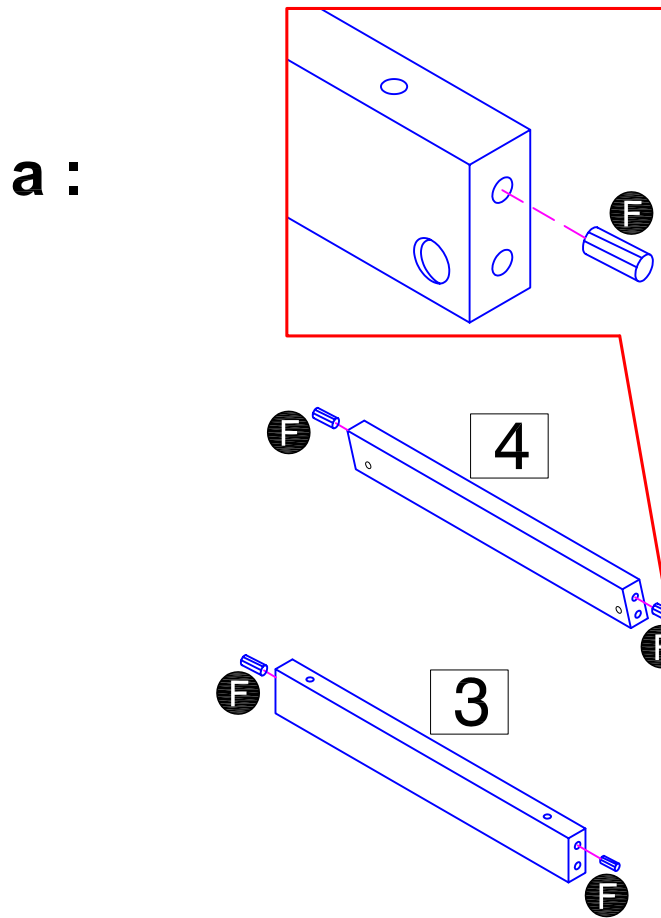
Assembly Instructions

Step 1

Fitting the Front Stretcher and Back Stretcher

Note : It would be useful to ask someone to help you at this stage.

a : Insert Dowel **F** into Front Stretcher **3** and Back Stretcher **4**



Step 2

Fitting the Left Side Frame

Note : It would be useful to ask someone to help you at this stage.

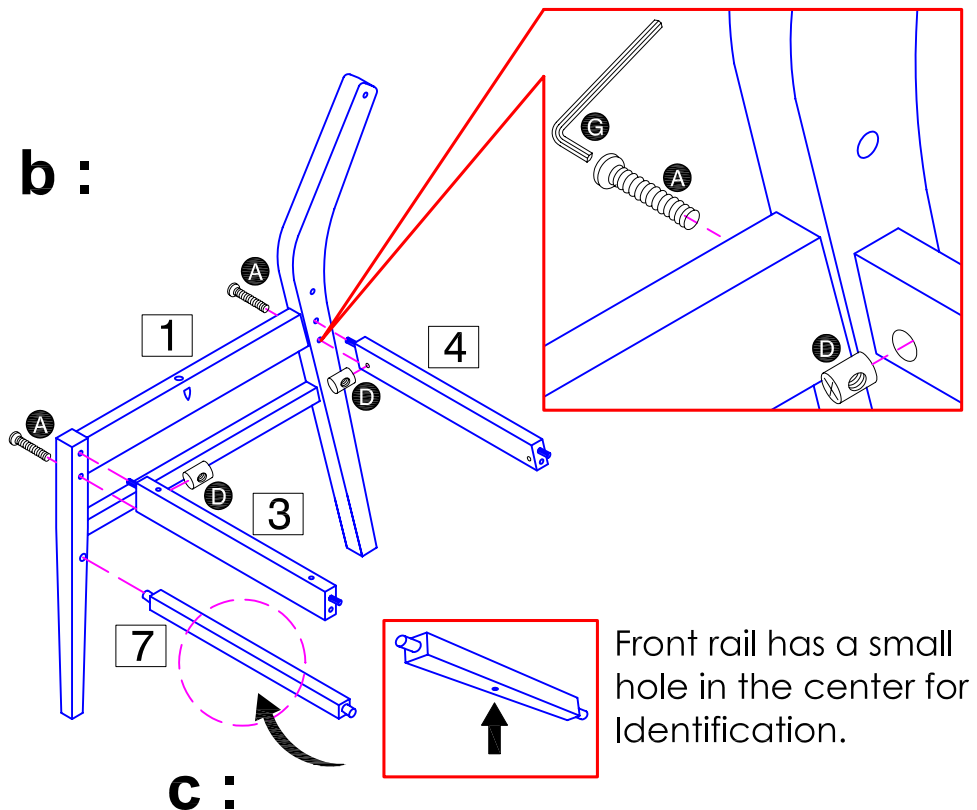
b : Insert Barrel Nut **D** into Front Stretcher **3** and Back Stretcher **4**

Use bolt **A** to fix Front Stretcher **3** and Back Stretcher **4** onto the Left Side Frame **1**

c : Insert Front Rail **7** into Left Side Frame **1**

Note : Insert Barrel nut **D** into the Front stretcher **3** and back stretcher **4** taking care to align the screw holes.

Note : Do not fully tighten all the screw at this step.



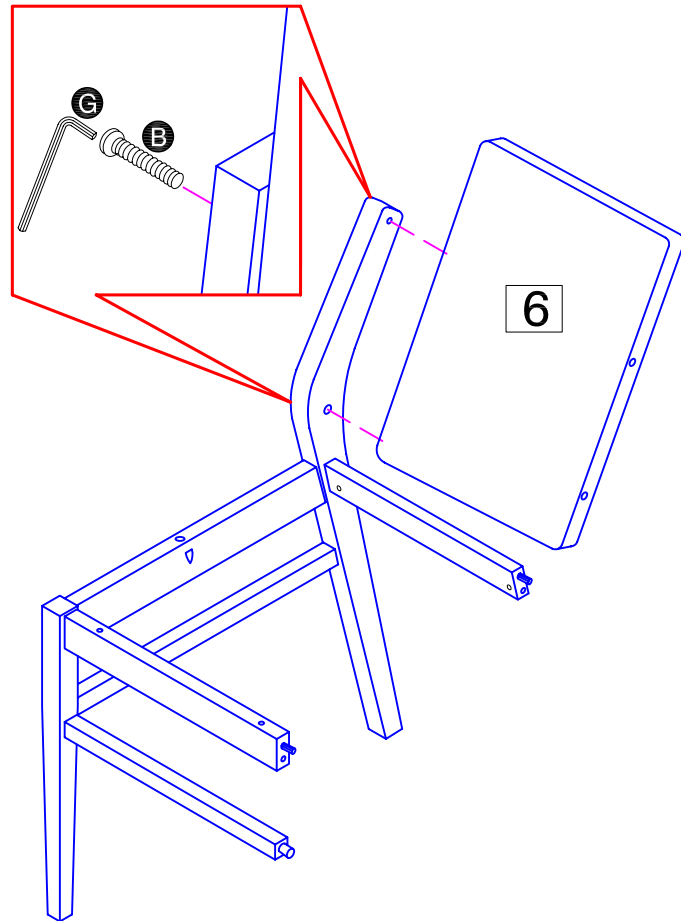
Assembly Instructions

Step 3

Fitting the Back Rest

Note : It would be useful to ask someone to help you at this stage.

Use Bolt **B** to fix Back rest **6** onto the Left side frame **1**



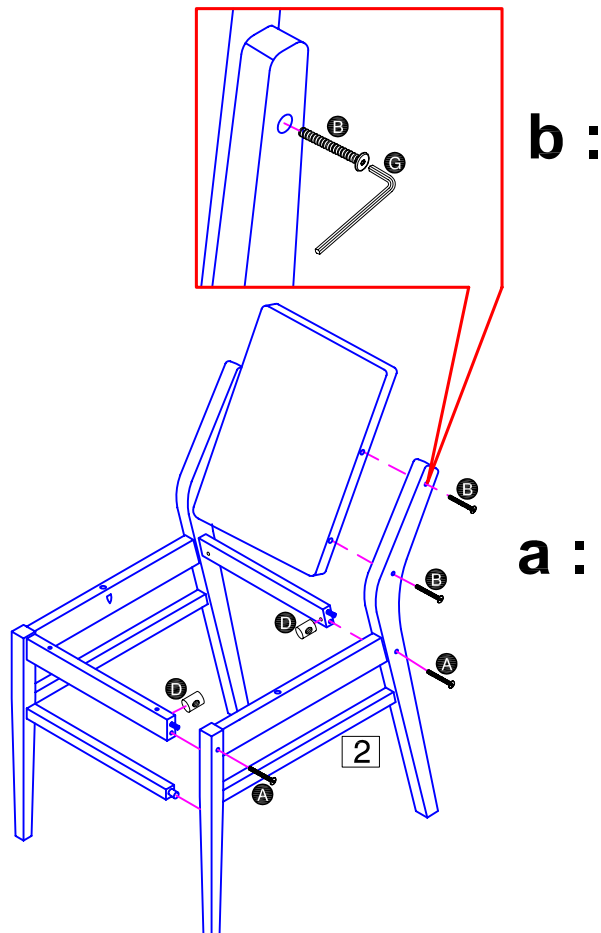
Step 4

Fitting the Right Side Frame

Note : It would be useful to ask someone to help you at this stage.

a: Carefully attach Right Side Frame **2**

b: Use Bolt **A** & **B** to fix the Right Side Frame **2** onto the unit.



Assembly Instructions

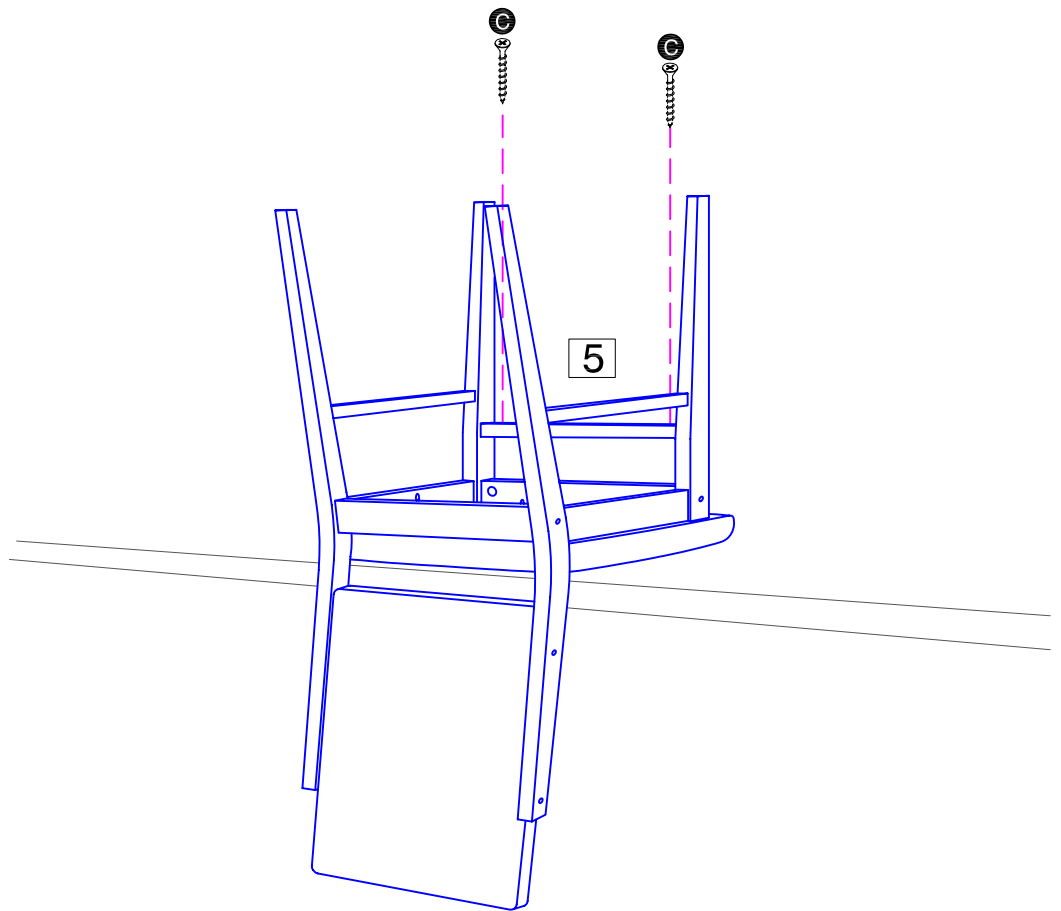
Step 5

Fitting the Front Rail

Note : It would be useful to ask someone to help you at this stage.

Use Screw **C** to fix the Front Rail **5**

Note : Fully tighten all the screw now.



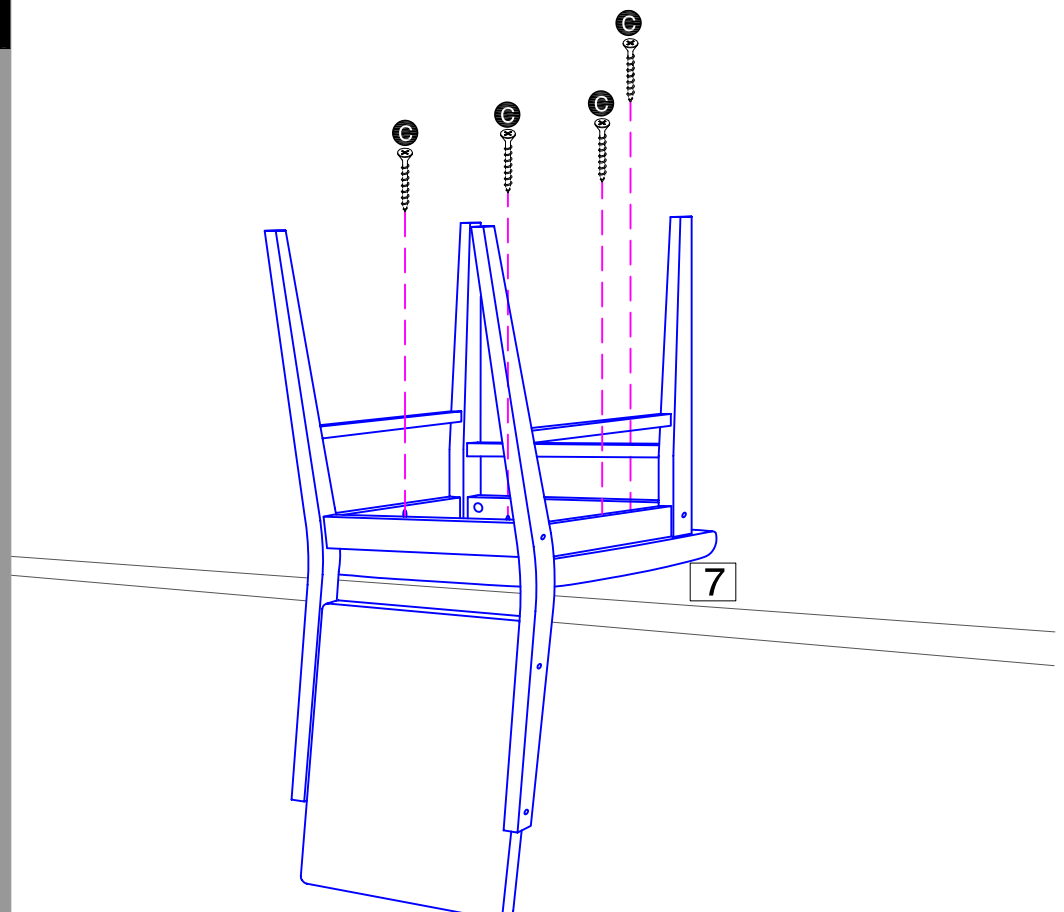
Step 6

Fitting the Cushion

Note : It would be useful to ask someone to help you at this stage.

Use Screw **C** to fix the Seat Cushion **7** onto the unit.

Note : Fully tighten all the screw now.



Assembly Instructions

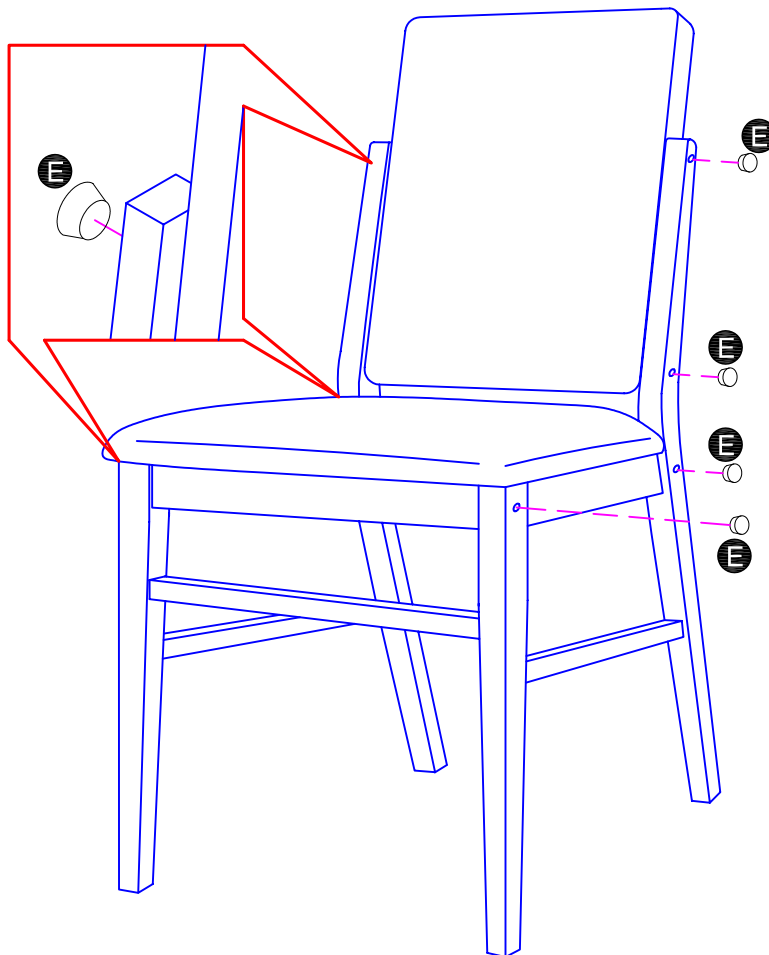
Step 7

Insert the Wood Button

Note : It would be useful to ask someone to help you at this stage.

Insert the Wood button **E** after fix the Bolt **B**

Note : Fully tighten all the screw now.



Assembly Instructions

Step 8

Finishing the unit

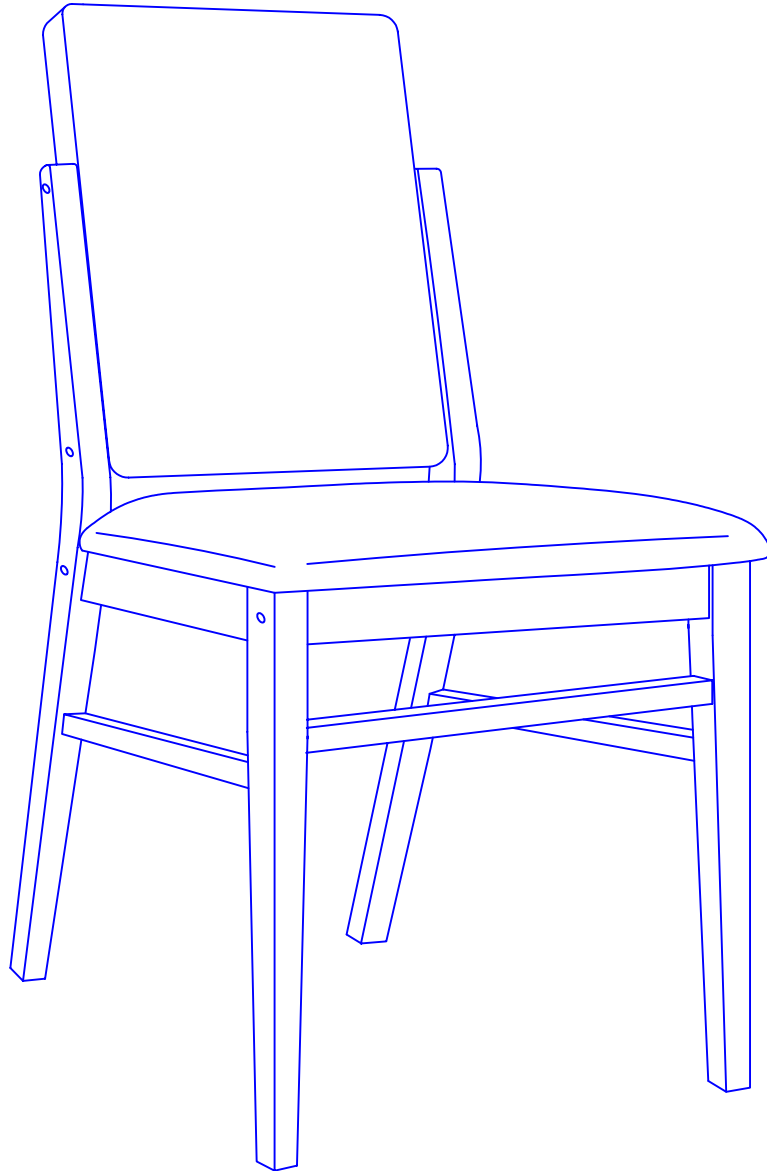
Note : It would be useful to ask someone to help you at this stage.

With help, place the unit in the intended position.

Note : The maximum safe weight of user : 110kg.



- Do not stand on this chair. Do not use this chair as a step ladder.
- Use this product only for seating one person at a time.
- Do not use this chair unless all bolts, screw and knobs are firmly secured.
- At least every 4 months, check all bolts, screws and knobs, to be sure they are tight.
- If parts are missing, broken or damaged or worn, stop use of this product until repairs are made & using factory authorized parts.
- Failure to follow these warnings could result in serious injury.



Assembly is complete.

If you need help or have damaged or missing parts, call the **Customer Helpline: 08456 400800**