

# Cheval - Bedside

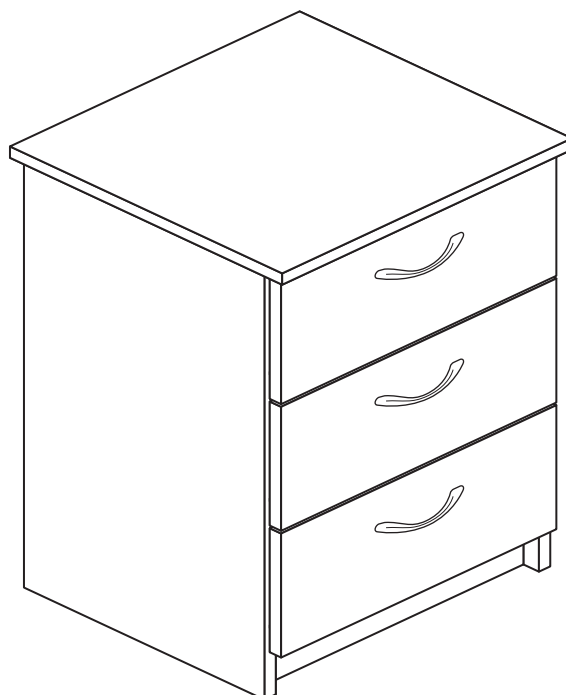
Assembly Instructions - Please keep for future reference

147/3100

152/8794

152/7939

146/1480



## Dimensions

Width - 38.5cm

Depth - 36cm

Height - 58cm



**MADE IN  
BRITAIN**

**Important** - Please read these instructions fully before starting assembly

If you need help or have damaged or missing parts, call the **Customer Helpline: 08456 400800**



# Safety and Care Advice

**Important - Please read these instructions fully before starting assembly**

- **Warning:** This unit weighs approximately 12kgs. Please lift with care.

- Check you have all the components and tools listed on pages 2 and 3.

- Remove all fittings from the plastic bags and separate them into their groups.

- Keep children and animals away from the work area, small parts could choke if swallowed.

- Parts of the assembly will be easier with 2 people.

- Make sure you have enough space to layout the parts before starting.

- Do not stand or put weight on the product, this could cause damage.

- Assemble the item as close to its final position (in the same room) as possible.

- Assemble on a soft level surface to avoid damaging the unit or your floor (use opened out unit carton).



- We do not recommend the use of power drill/drivers **for inserting screws**, as this could damage the unit. Only use hand screwdrivers.

- **Safety note:** If there is any chance of this unit being pulled over by children etc. it is recommended that the unit is secured to a wall using suitable fixings (not supplied).

- Dispose of all packaging carefully and responsibly.

## Care and maintenance

- Only clean using a damp cloth and mild detergent, do not use bleach or abrasive cleaners.

- From time to time check that there are no loose screws on this unit.

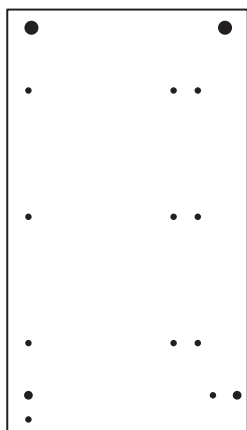
- This product should not be discarded with household waste. Take to your local authority waste disposal centre.

**Note:** If required the next page can be cut out and used as reference throughout the assembly. Keep this page with these instructions for future reference.

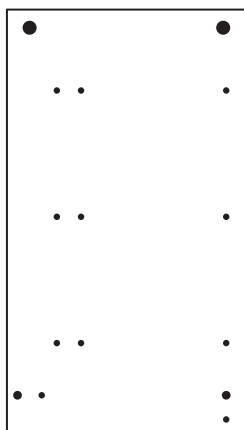
# Components - Panels

If you have damaged or missing components, call the  
**Customer Helpline: 08456 400800** quoting the reference  
numbers below

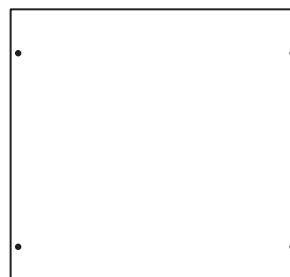
Please check you have all the panels listed below



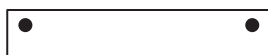
**1** Left Side (D2736A)  
(562 x 318mm)



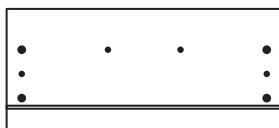
**2** Right Side (D2735A)  
(562 x 318mm)



**3** Top (D2734A)  
(383 x 360mm)



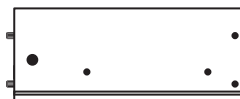
**4** Rail (D2737A)  
(348 x 66mm) x 2



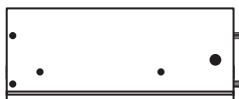
**5** Drawer Front (D2738A)  
(364 x 164mm) x 3



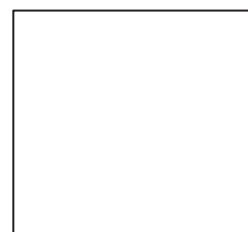
**6** Drawer Back (W311-124)  
(311 x 124mm) x 3



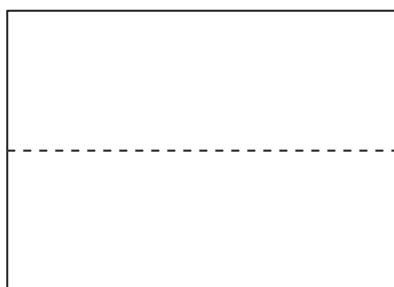
**7** Left Drawer Side (W300-124LH)  
(300 x 124mm) x 3



**8** Right Drawer Side (W300-124RH)  
(300 x 124mm) x 3



**9** Drawer Base (T322-297)  
(322 x 297mm) x 3



**10** Back (X515-370)  
(515 x 370mm)

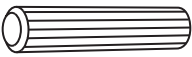
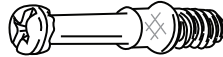
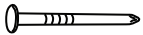


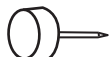

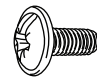







# Components - Fittings

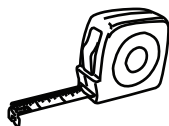
If you have damaged or missing components, call the **Customer Helpline: 08456 400800** quoting the reference numbers below

Please check you have all the fittings listed below

**Note:** The quantities below are the correct amount to complete the assembly. In some cases more fittings may be supplied than are required.

|   |   |  |
|---|---|--|
| <p><b>A</b> </p> <p>Wooden dowel (F22) x 4</p>       | <p><b>B</b> </p> <p>Metal dowel (F901) x 14</p>    | <p><b>C</b> </p> <p>Nail (F51) x 12</p>           |
| <p><b>D</b> </p> <p>Large locking nut (F900) x 8</p> | <p><b>E</b> </p> <p>Small locking nut (F3) x 6</p> | <p><b>F</b> </p> <p>Plastic Nail (F91) x 4</p>    |
| <p><b>G</b> </p> <p>19mm Screw (F461) x 6</p>        | <p><b>H</b> </p> <p>9mm Screw (F74) x 6</p>        | <p><b>I</b> </p> <p>9mm Screw (F73) x 12</p>      |
| <p><b>J</b> </p> <p>Drawer runner (F1004) x 6</p>   |   | <p><b>K</b> </p> <p>Knock-in Peg (F171) x 12</p> |
| <p><b>L</b> </p> <p>Handle (F273) x 3</p>          | <p><b>M</b> </p> <p>Wedgefix (F639) x 6</p>      |  |

## Tools required



Rule



Cross-head screwdriver



Scissors

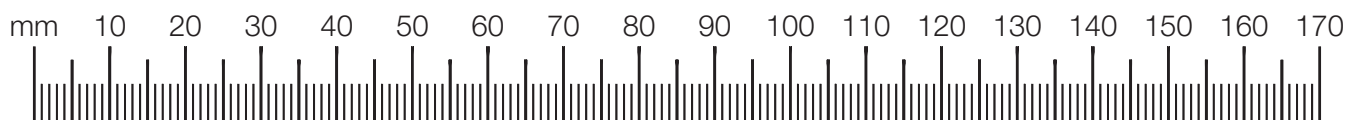


Hammer



Eye protection  
(when using a hammer or drill)

Ruler - Use this ruler to help correctly identify the screws



# Assembly Instructions

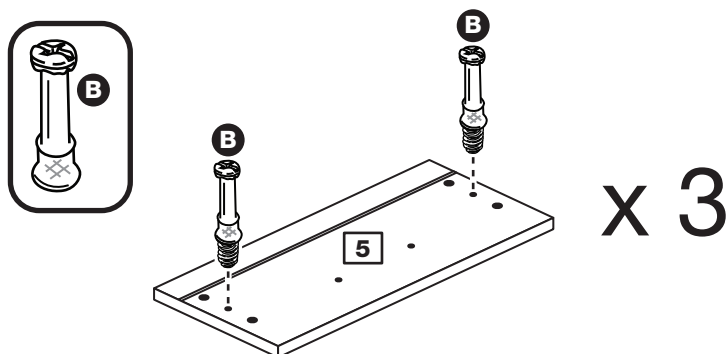
If you have damaged or missing components, call the Customer Helpline: 08456 400800 quoting the reference numbers below

## Step 1

### Prepare the 3 drawer fronts

Screw 2 metal dowels **B** into each of the 3 drawer fronts **5**.

**Note:** Tighten the metal dowels up fully against the panels.

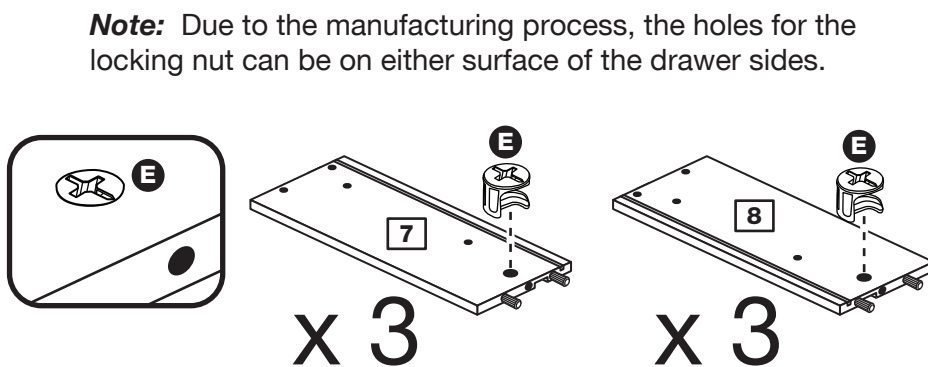


## Step 2

### Prepare the drawer sides

Insert a small locking nut **E** into the hole shown on the left drawer side **7** and the right drawer side **8**.

**Note:** The arrow on the locking nut **must** point towards the hole in the edge of the panel.



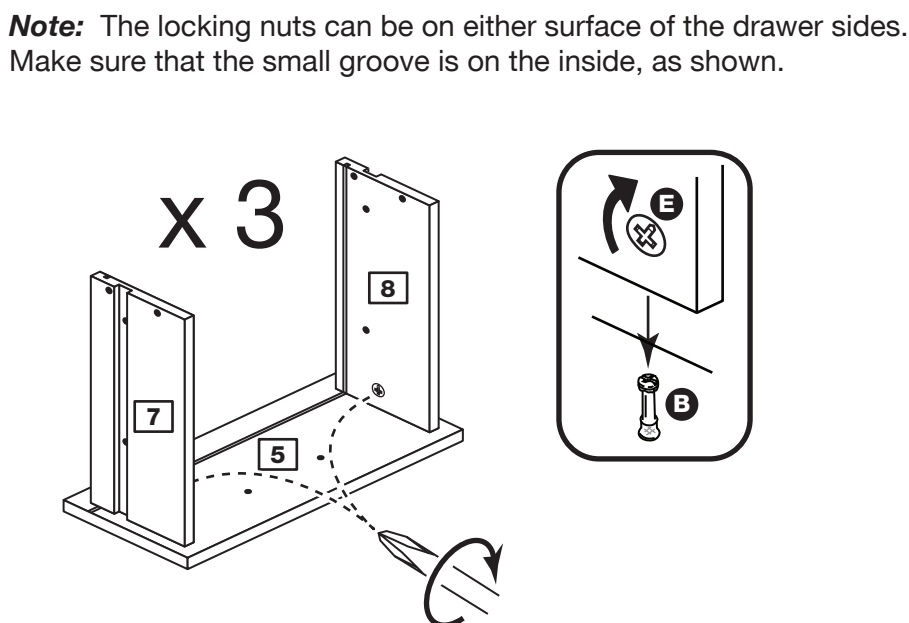
## Step 3

### Attach the drawer sides to the drawer front

Push the left drawer side **7** and right drawer side **8** onto the back of the drawer front **5**.

Turn the small locking nuts **E** on the left drawer side **7** and right drawer side **8**.

**Note:** Turn the locking nuts **E** clockwise to secure panels - more than 1/2 a turn.

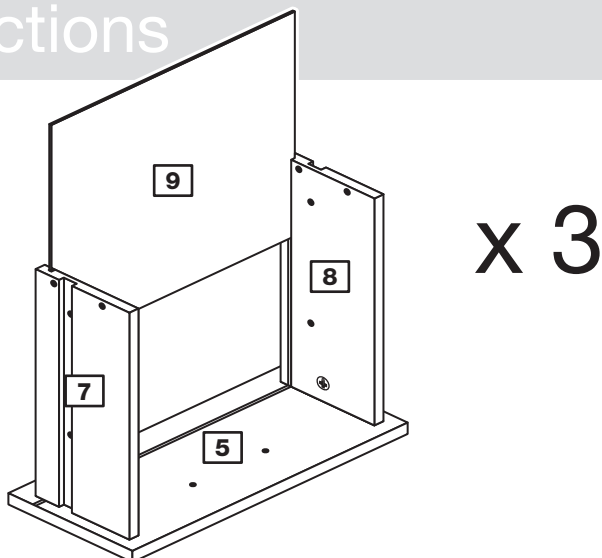


# Assembly Instructions

## Step 4

### Fit the drawer base

Slide the drawer base **9** down the grooves in the drawer sides **7** and **8** and down into the groove in the drawer front **5**.



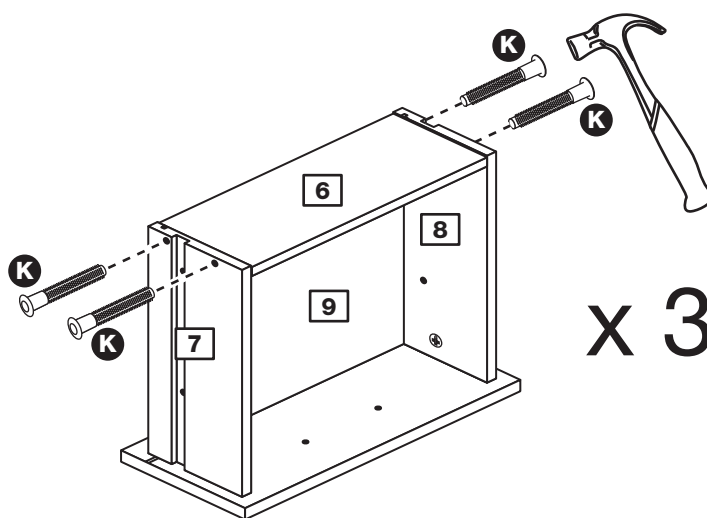
## Step 5

### Fit the drawer back

Fit the drawer back **6** between the drawer sides **7** and **8**.

Make sure that the drawer base **9** fits into the groove in the drawer back **6**.

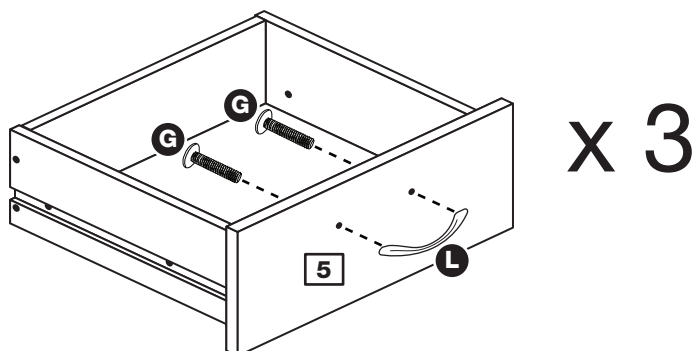
Hold the drawer back **6** in position and tap the knock-in pegs **K** through the holes in the drawer sides **7** and **8**.



## Step 6

### Attach the handle

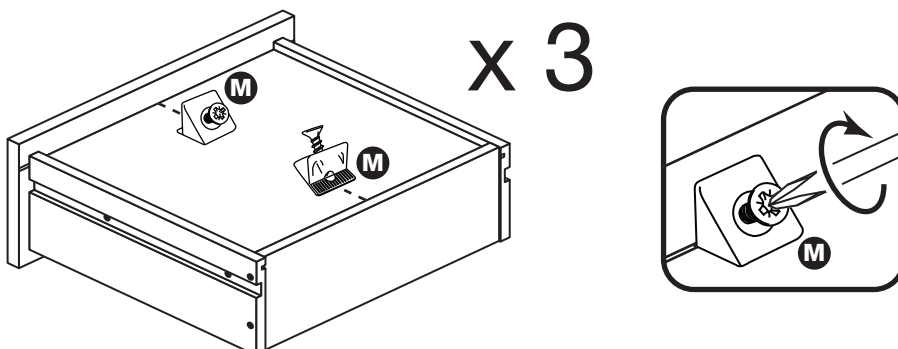
Attach a handle **L** to each drawer front **5** using 2 screws **G**.



## Step 7

### Fit the wedgexes

Turn the drawer assemblies over and slide 2 wedgexes **M** into the front and back grooves, as shown, and tighten up the screws.



# Assembly Instructions

## Step 8

### Prepare the left side

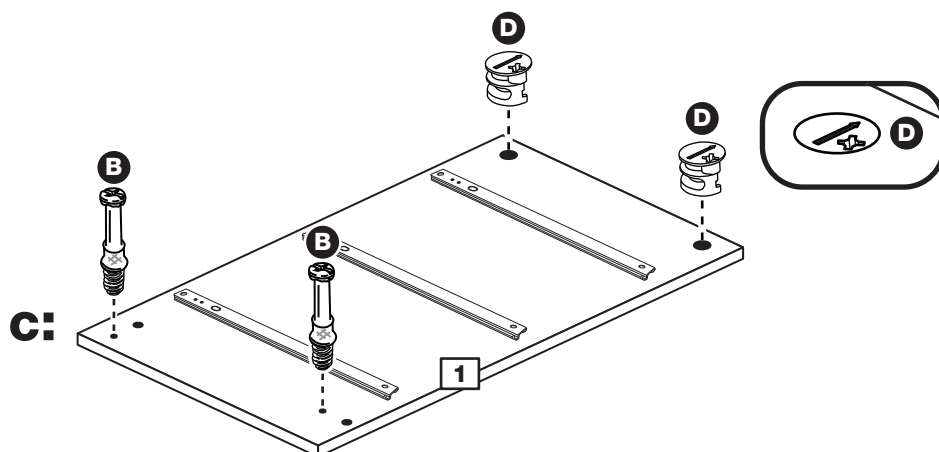
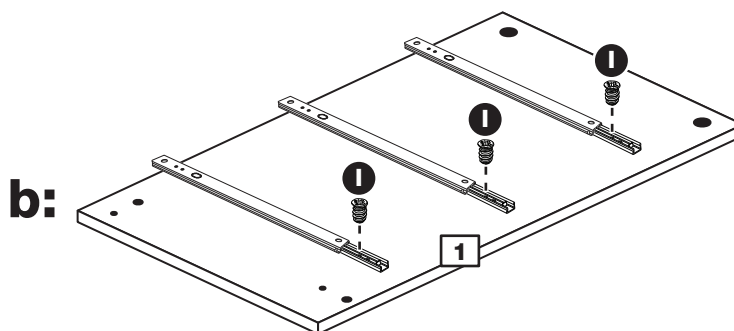
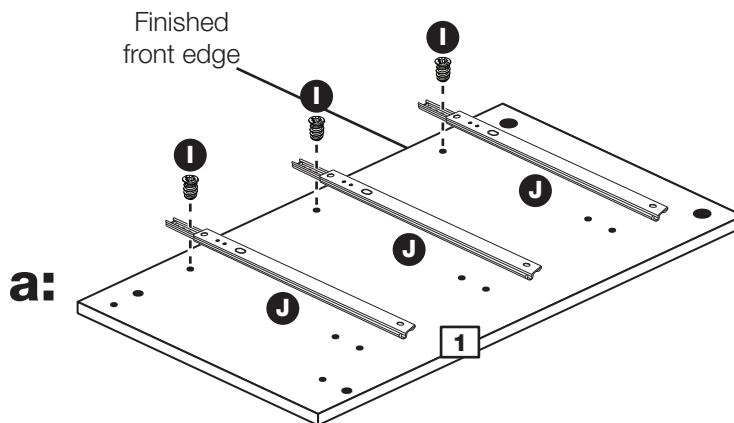
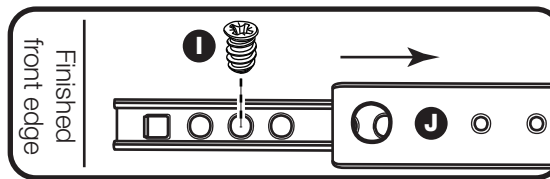
**a:** Place 3 runners **J** on the left side **1** as shown. Slide back the top of runner and use the 2nd hole from the front to fit the 1st screw **I**.

**b:** Slide the runner **J** back the other way and fit the 2nd screw **I** into the corresponding hole in the left side **1**.

**c:** Screw 2 metal dowels **B** into the left side **1**.

Insert 2 large locking nuts **D** into the left side **1**.

**Note:** The arrow on the locking nuts **must** point towards the hole in the edge of the panel.



# Assembly Instructions

## Step 9

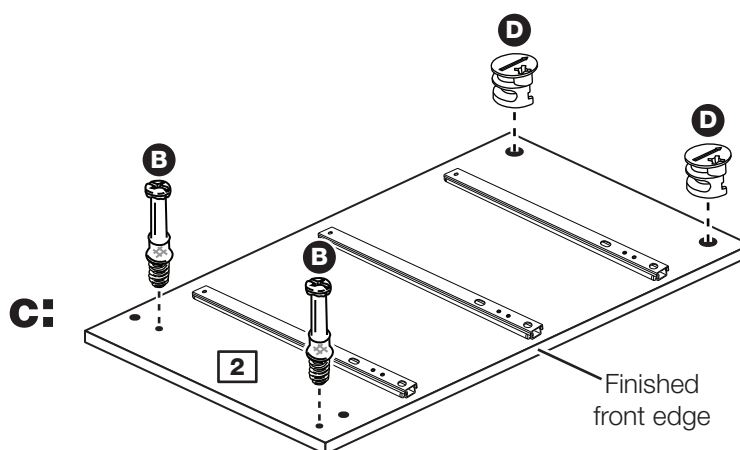
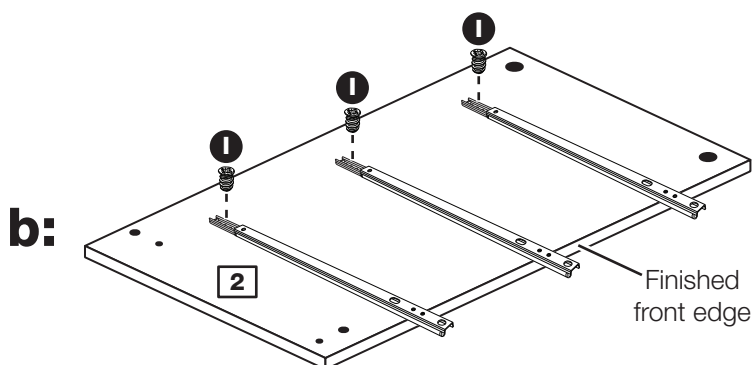
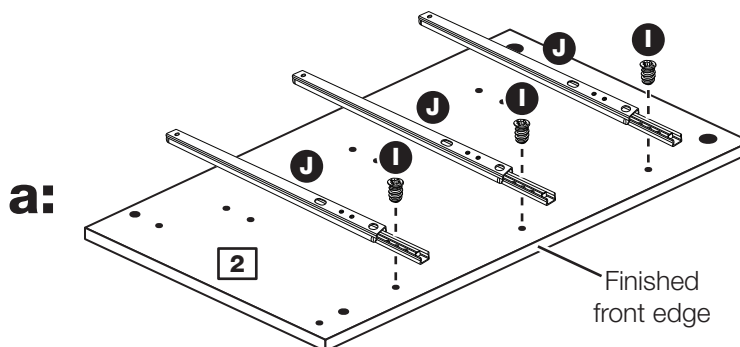
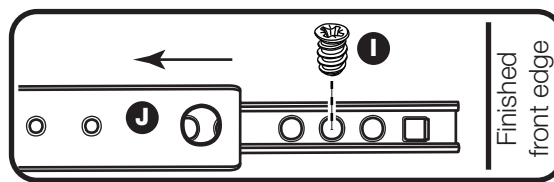
### Prepare the right side

**a:** Place 3 runners **J** on the right side **2** as shown. Slide back the top of runner and use the 2nd hole from the front to fit the 1st screw **I**.

**b:** Slide the runner **J** back the other way and fit the 2nd screw **I** into the corresponding hole in the right side **2**.

**c:** Screw 2 metal dowels **B** into the right side **2**.

Insert 2 large locking nuts **D** into the right side **2**.





# Assembly Instructions

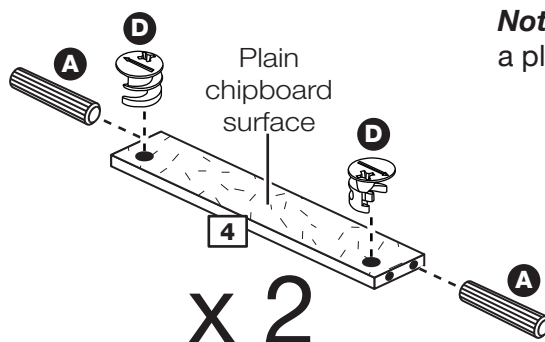
## Step 10

### Prepare the 2 rails

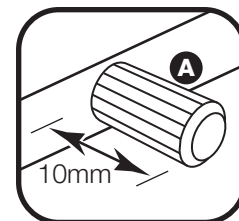
Tap 2 wooden dowels **A** into each rail **4**.

**Note:** Wooden dowels **must not** stick out from the edge by more than 10mm or they may damage other panels.

Insert 2 large locking nuts **D** into each rail **4**.



**Note:** The 2 rails can have a plain chipboard surface.



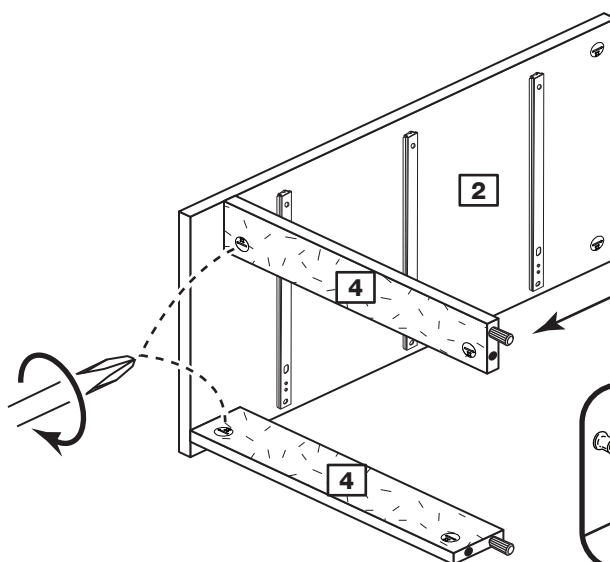
## Step 11

### Fit the 2 rails

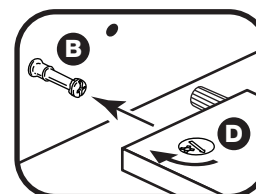
Push the 2 rails **4** onto the right side **2**.

Use a screwdriver to tighten the large locking nut **D** fitted to each rail **4**.

**Note:** Turn the large locking nuts **D** as far as they will go - more than 1/2 a turn.



**Note:** Support this rail until the left side has been fitted in the next step.

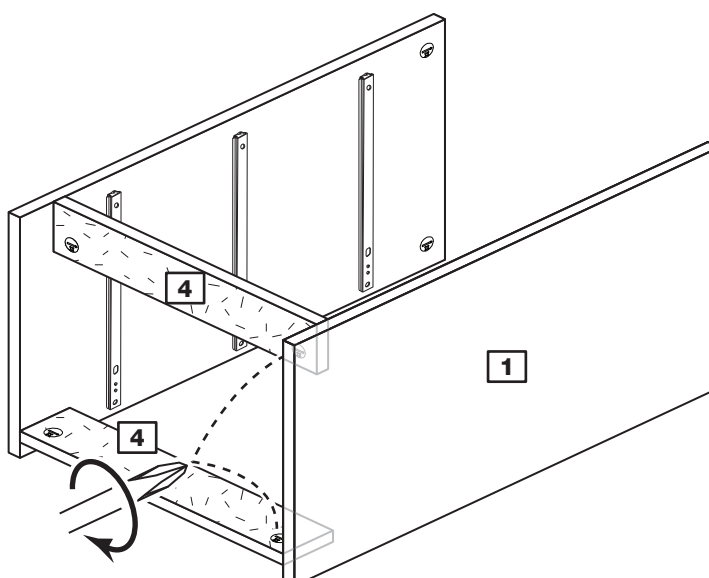


## Step 12

### Fit the left side

Push the left side **1** onto the 2 rails **4**.

Use a screwdriver to tighten the large locking nut **D** fitted to each rail **4**.

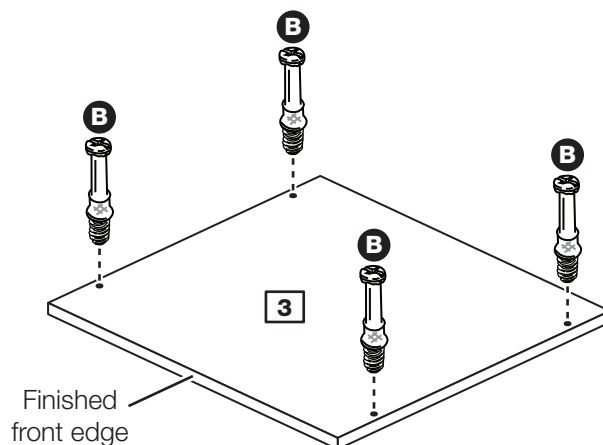


# Assembly Instructions

## Step 13

### Prepare the top

Screw 4 metal dowels **B** into the top **3**.

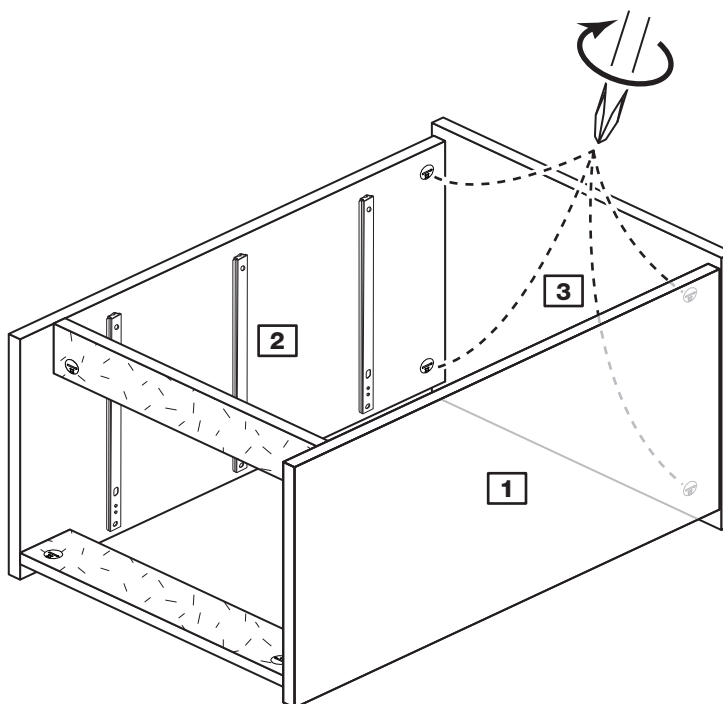


## Step 14

### Fit the top

Push the top **3** onto the sides **1** and **2**.

Use a screwdriver to tighten the 2 large locking nuts **D** fitted to each side **1** and **2**.



# Assembly Instructions

## Step 15

### Fit the back

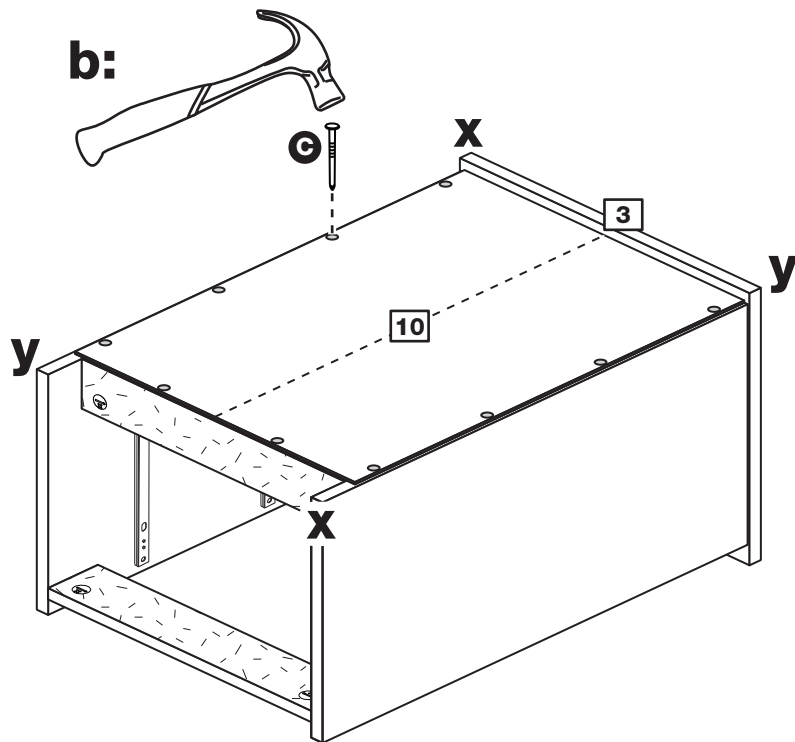
**a:** Square up the unit by making sure that measurement **x** to **x** equals **y** to **y**.

**b:** Place the back **10** onto the unit, making sure it is pushed up against the top **3**.

Nail **C** along the side edges and the bottom edge of the back **10**.

**Note:** Nails should be spaced out evenly.

**a:** The measurement from top corner X to bottom corner X must be equal to the measurement from top corner Y to bottom corner Y

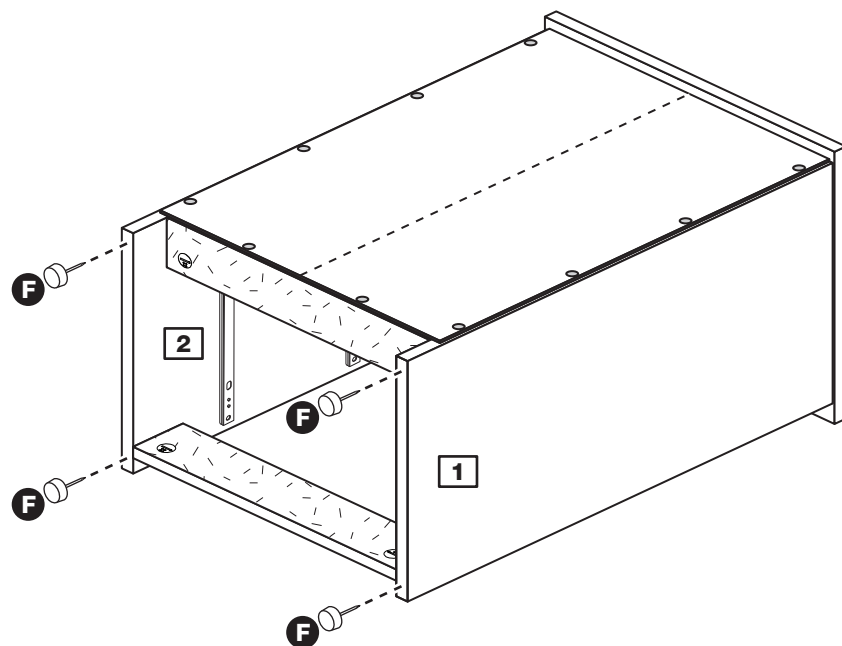


## Step 16

### Fit the plastic nails

Tap 2 plastic nails **F** into the bottom edge of each of the sides **1** and **2** as shown.

**Carefully stand the unit up for the next step.**



# Assembly Instructions

## Step 17

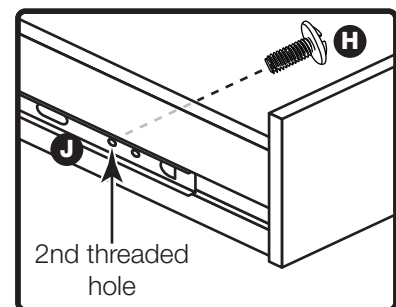
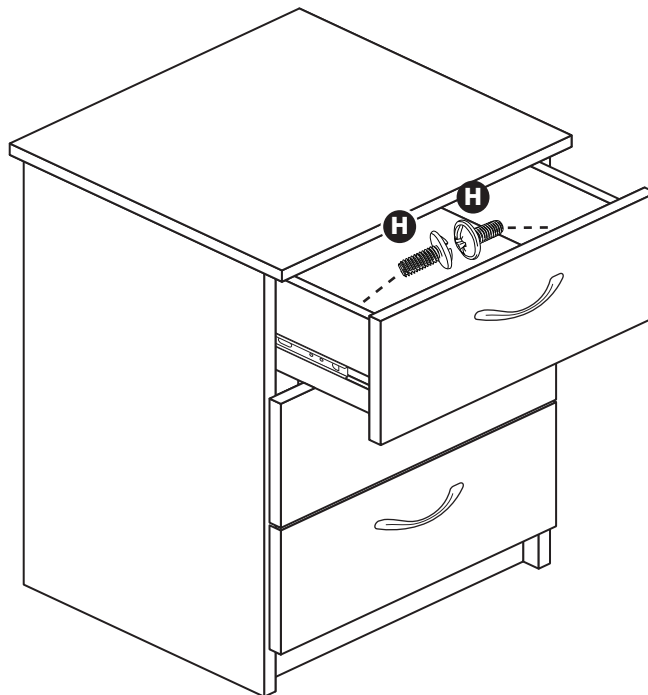
### Fit the drawers

Starting with the bottom drawer, slide both the runners **J** forward and locate the drawer sides **7** and **8** between them, lining up the holes in the drawer wrap with the 2nd 'threaded' holes in the runners **H**.

Working from the inside of the drawer, insert 2 screws **H** through the drawer sides and out into the 2nd threaded hole in the runner.

**Note:** Do not overtighten the screws **H**. If they catch on the runner you may need to loosen them slightly.

**Assembly is complete**



If you need help or have damaged or missing parts, call the Customer Helpline: 08456 400800 and quote the reference numbers on the component pages.

Argos Ltd, 489-499 Avebury Boulevard, Central Milton Keynes, MK9 2NW

# Cheval - Bedside

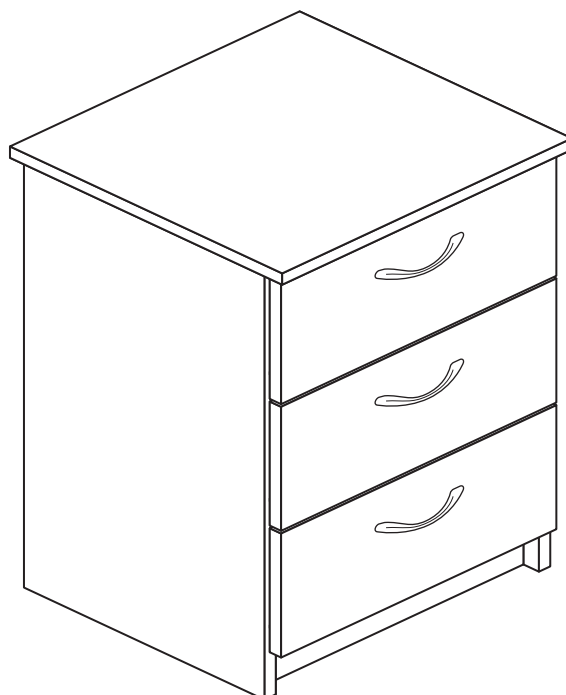
Assembly Instructions - Please keep for future reference

147/3100

152/8794

152/7939

146/1480



## Dimensions

Width - 38.5cm

Depth - 36cm

Height - 58cm



**MADE IN  
BRITAIN**

**Important** - Please read these instructions fully before starting assembly

If you need help or have damaged or missing parts, call the **Customer Helpline: 08456 400800**



# Safety and Care Advice

**Important - Please read these instructions fully before starting assembly**

- **Warning:** This unit weighs approximately 12kgs. Please lift with care.

- Check you have all the components and tools listed on pages 2 and 3.

- Remove all fittings from the plastic bags and separate them into their groups.

- Keep children and animals away from the work area, small parts could choke if swallowed.

- Parts of the assembly will be easier with 2 people.

- Make sure you have enough space to layout the parts before starting.

- Do not stand or put weight on the product, this could cause damage.

- Assemble the item as close to its final position (in the same room) as possible.

- Assemble on a soft level surface to avoid damaging the unit or your floor (use opened out unit carton).



- We do not recommend the use of power drill/drivers **for inserting screws**, as this could damage the unit. Only use hand screwdrivers.

- **Safety note:** If there is any chance of this unit being pulled over by children etc. it is recommended that the unit is secured to a wall using suitable fixings (not supplied).

- Dispose of all packaging carefully and responsibly.

## Care and maintenance

- Only clean using a damp cloth and mild detergent, do not use bleach or abrasive cleaners.

- From time to time check that there are no loose screws on this unit.

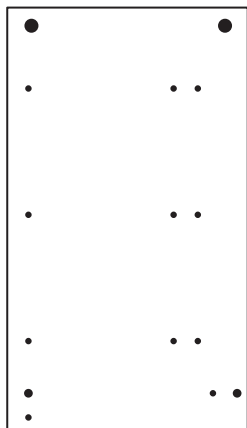
- This product should not be discarded with household waste. Take to your local authority waste disposal centre.

**Note:** If required the next page can be cut out and used as reference throughout the assembly. Keep this page with these instructions for future reference.

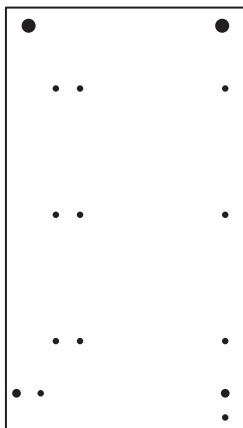
# Components - Panels

If you have damaged or missing components, call the  
**Customer Helpline: 08456 400800** quoting the reference  
numbers below

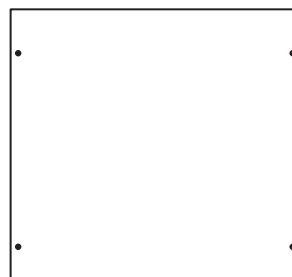
Please check you have all the panels listed below



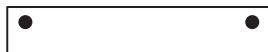
**1** Left Side (D2736A)  
(562 x 318mm)



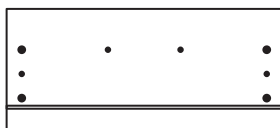
**2** Right Side (D2735A)  
(562 x 318mm)



**3** Top (D2734A)  
(383 x 360mm)



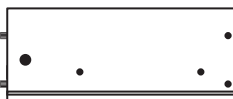
**4** Rail (D2737A)  
(348 x 66mm) x 2



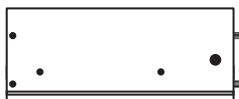
**5** Drawer Front (D2738B)  
(364 x 164mm) x 3



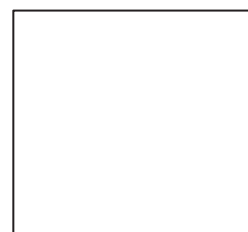
**6** Drawer Back (W314-124)  
(314 x 124mm) x 3



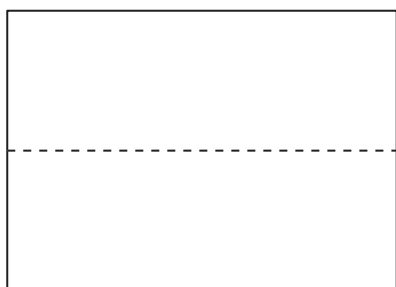
**7** Left Drawer Side (W300-124LH)  
(300 x 124mm) x 3



**8** Right Drawer Side (W300-124RH)  
(300 x 124mm) x 3



**9** Drawer Base (T325-297)  
(325 x 297mm) x 3



**10** Back (X515-370)  
(515 x 370mm)

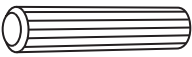
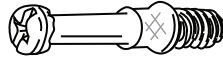
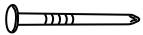


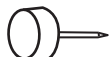

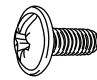







# Components - Fittings

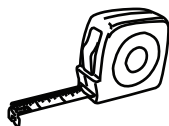
If you have damaged or missing components, call the **Customer Helpline: 08456 400800** quoting the reference numbers below

Please check you have all the fittings listed below

**Note:** The quantities below are the correct amount to complete the assembly. In some cases more fittings may be supplied than are required.

|   |   |  |
|---|---|--|
| <p><b>A</b> </p> <p>Wooden dowel (F22) x 4</p>       | <p><b>B</b> </p> <p>Metal dowel (F901) x 14</p>    | <p><b>C</b> </p> <p>Nail (F51) x 12</p>           |
| <p><b>D</b> </p> <p>Large locking nut (F900) x 8</p> | <p><b>E</b> </p> <p>Small locking nut (F3) x 6</p> | <p><b>F</b> </p> <p>Plastic Nail (F91) x 4</p>    |
| <p><b>G</b> </p> <p>19mm Screw (F461) x 6</p>        | <p><b>H</b> </p> <p>9mm Screw (F74) x 6</p>        | <p><b>I</b> </p> <p>9mm Screw (F73) x 12</p>      |
| <p><b>J</b> </p> <p>Drawer runner (F1004) x 6</p>   |   | <p><b>K</b> </p> <p>Knock-in Peg (F171) x 12</p> |
| <p><b>L</b> </p> <p>Handle (F273) x 3</p>          | <p><b>M</b> </p> <p>Wedgefix (F639) x 6</p>      |  |

## Tools required



Rule



Cross-head screwdriver



Scissors

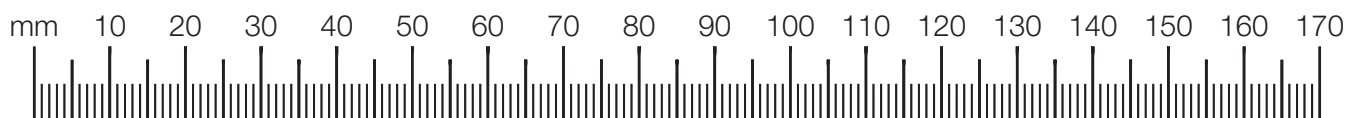


Hammer



Eye protection  
(when using a hammer or drill)

Ruler - Use this ruler to help correctly identify the screws





# Assembly Instructions

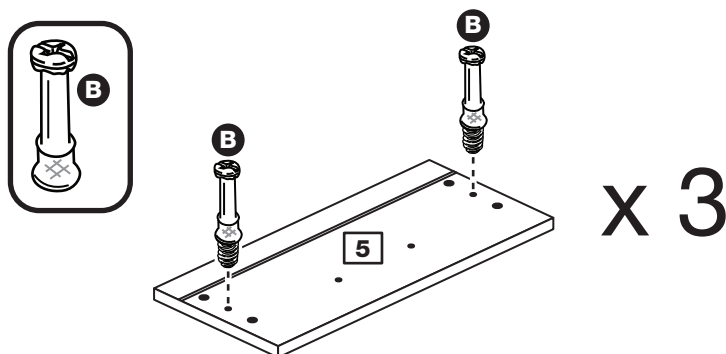
If you have damaged or missing components, call the Customer Helpline: 08456 400800 quoting the reference numbers below

## Step 1

### Prepare the 3 drawer fronts

Screw 2 metal dowels **B** into each of the 3 drawer fronts **5**.

**Note:** Tighten the metal dowels up fully against the panels.

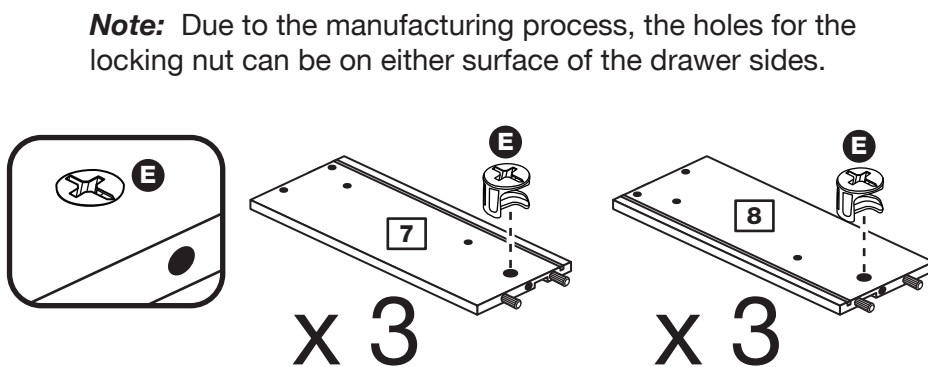


## Step 2

### Prepare the drawer sides

Insert a small locking nut **E** into the hole shown on the left drawer side **7** and the right drawer side **8**.

**Note:** The arrow on the locking nut **must** point towards the hole in the edge of the panel.



## Step 3

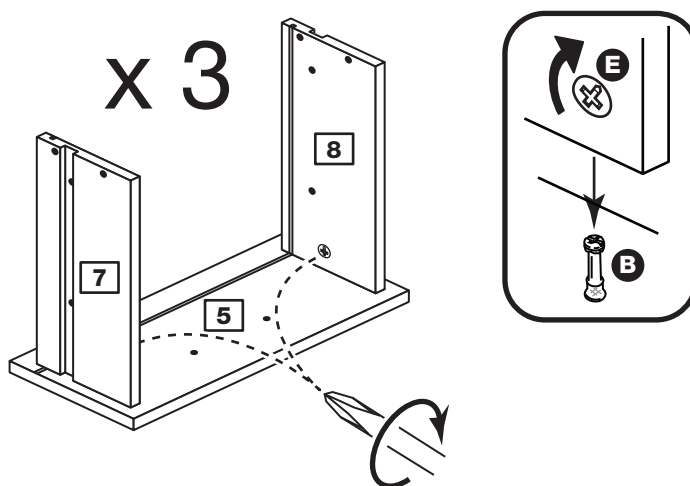
### Attach the drawer sides to the drawer front

Push the left drawer side **7** and right drawer side **8** onto the back of the drawer front **5**.

Turn the small locking nuts **E** on the left drawer side **7** and right drawer side **8**.

**Note:** Turn the locking nuts **E** clockwise to secure panels - more than 1/2 a turn.

**Note:** The locking nuts can be on either surface of the drawer sides. Make sure that the small groove is on the inside, as shown.

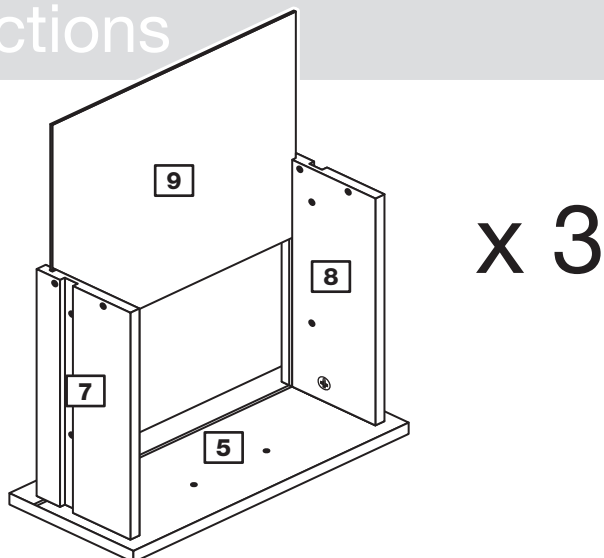


# Assembly Instructions

## Step 4

### Fit the drawer base

Slide the drawer base **9** down the grooves in the drawer sides **7** and **8** and down into the groove in the drawer front **5**.



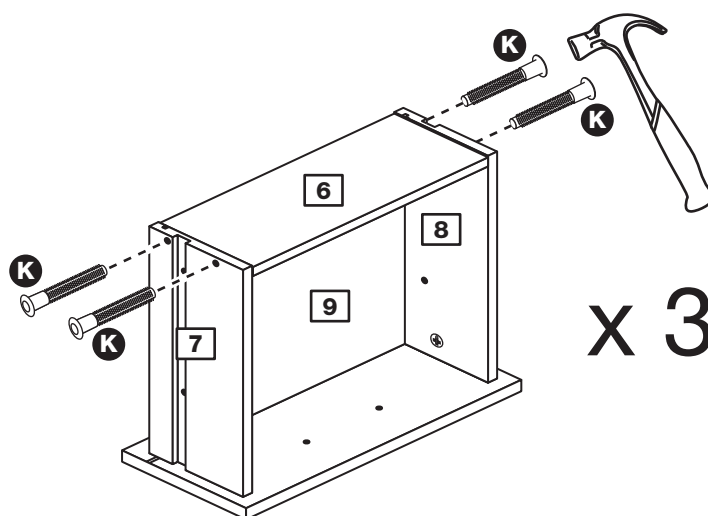
## Step 5

### Fit the drawer back

Fit the drawer back **6** between the drawer sides **7** and **8**.

Make sure that the drawer base **9** fits into the groove in the drawer back **6**.

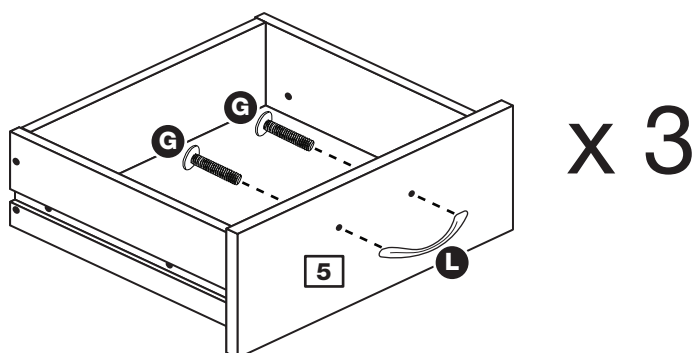
Hold the drawer back **6** in position and tap the knock-in pegs **K** through the holes in the drawer sides **7** and **8**.



## Step 6

### Attach the handle

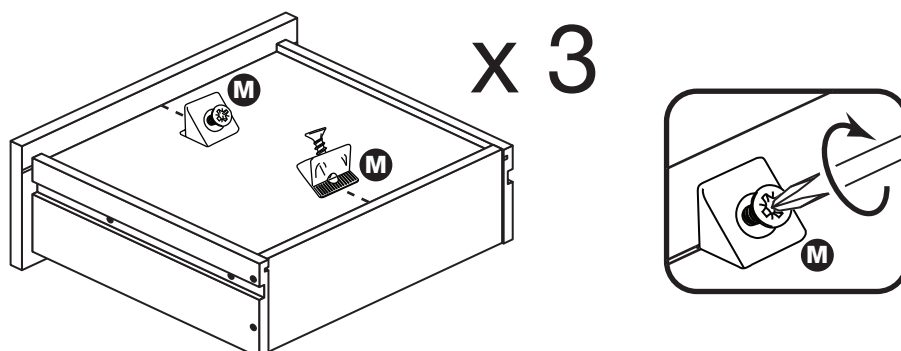
Attach a handle **L** to each drawer front **5** using 2 screws **G**.



## Step 7

### Fit the wedgexes

Turn the drawer assemblies over and slide 2 wedgexes **M** into the front and back grooves, as shown, and tighten up the screws.



# Assembly Instructions

## Step 8

### Prepare the left side

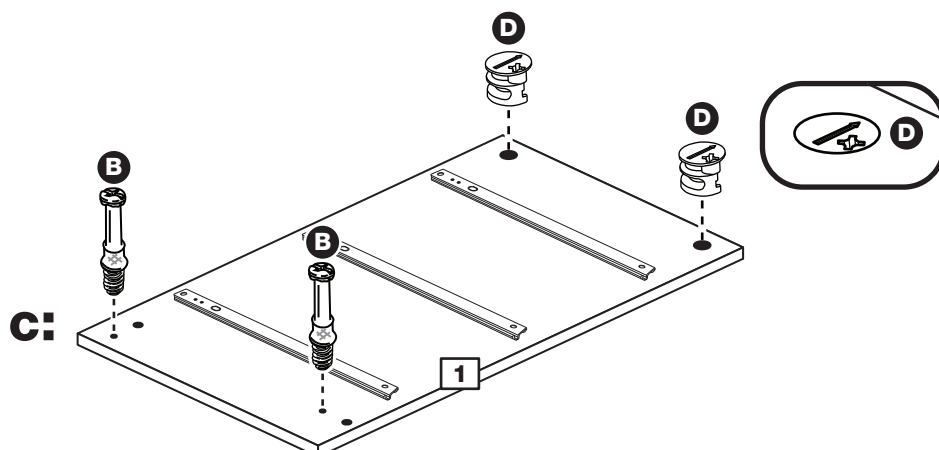
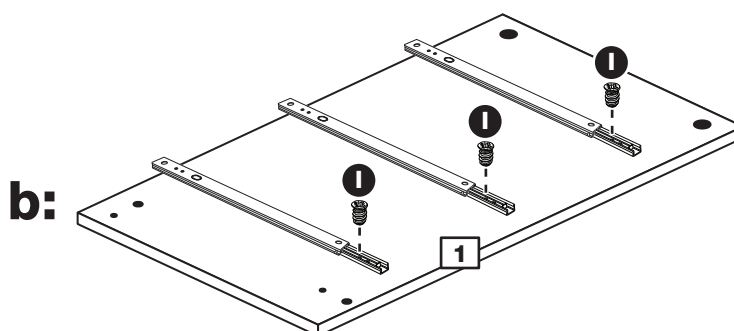
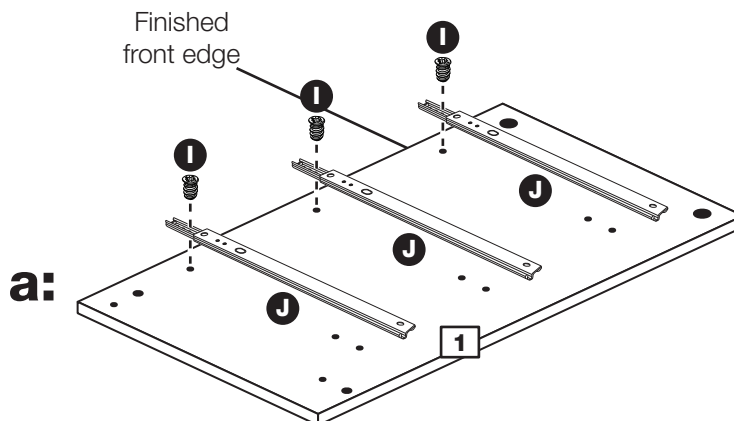
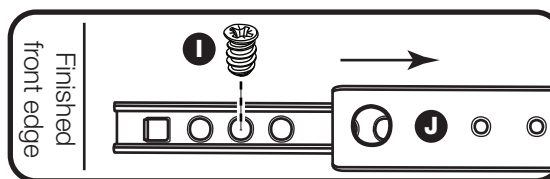
**a:** Place 3 runners **J** on the left side **1** as shown. Slide back the top of runner and use the 2nd hole from the front to fit the 1st screw **I**.

**b:** Slide the runner **J** back the other way and fit the 2nd screw **I** into the corresponding hole in the left side **1**.

**c:** Screw 2 metal dowels **B** into the left side **1**.

Insert 2 large locking nuts **D** into the left side **1**.

**Note:** The arrow on the locking nuts **must** point towards the hole in the edge of the panel.



# Assembly Instructions

## Step 9

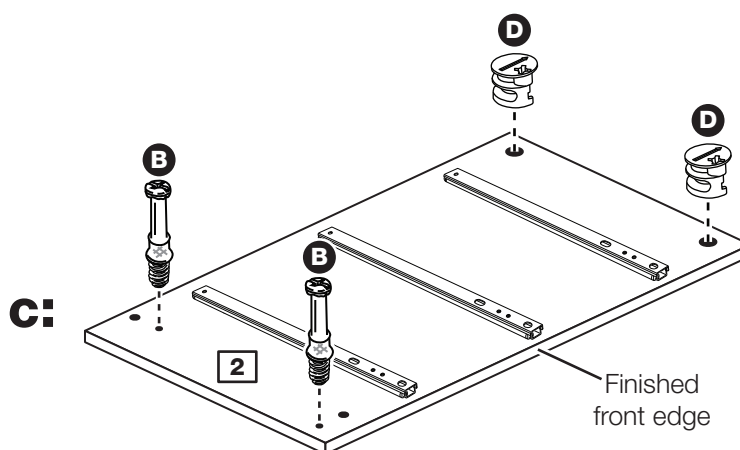
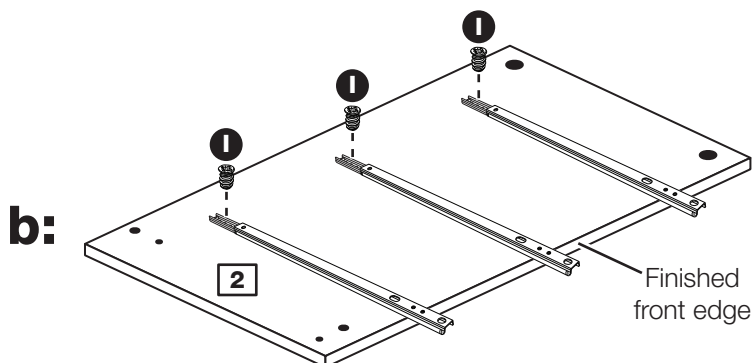
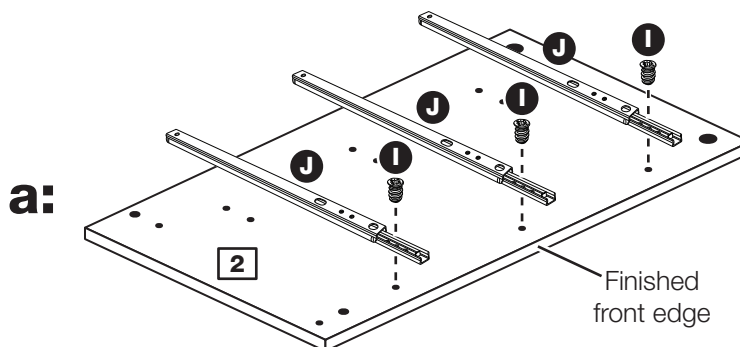
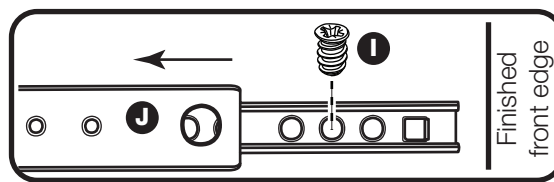
### Prepare the right side

**a:** Place 3 runners **J** on the right side **2** as shown. Slide back the top of runner and use the 2nd hole from the front to fit the 1st screw **I**.

**b:** Slide the runner **J** back the other way and fit the 2nd screw **I** into the corresponding hole in the right side **2**.

**c:** Screw 2 metal dowels **B** into the right side **2**.

Insert 2 large locking nuts **D** into the right side **2**.



# Assembly Instructions

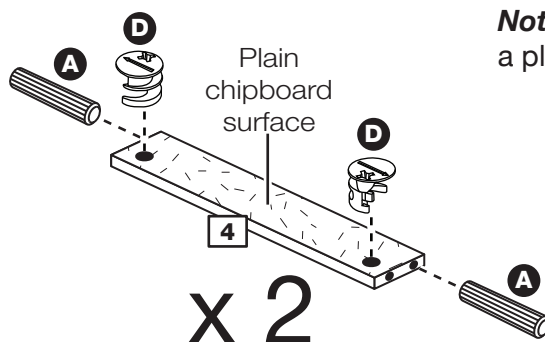
## Step 10

### Prepare the 2 rails

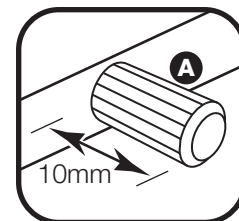
Tap 2 wooden dowels **A** into each rail **4**.

**Note:** Wooden dowels **must not** stick out from the edge by more than 10mm or they may damage other panels.

Insert 2 large locking nuts **D** into each rail **4**.



**Note:** The 2 rails can have a plain chipboard surface.



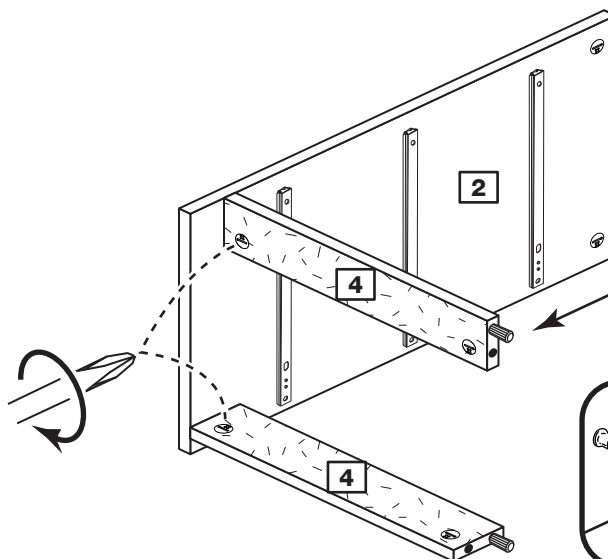
## Step 11

### Fit the 2 rails

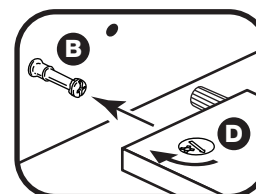
Push the 2 rails **4** onto the right side **2**.

Use a screwdriver to tighten the large locking nut **D** fitted to each rail **4**.

**Note:** Turn the large locking nuts **D** as far as they will go - more than 1/2 a turn.



**Note:** Support this rail until the left side has been fitted in the next step.

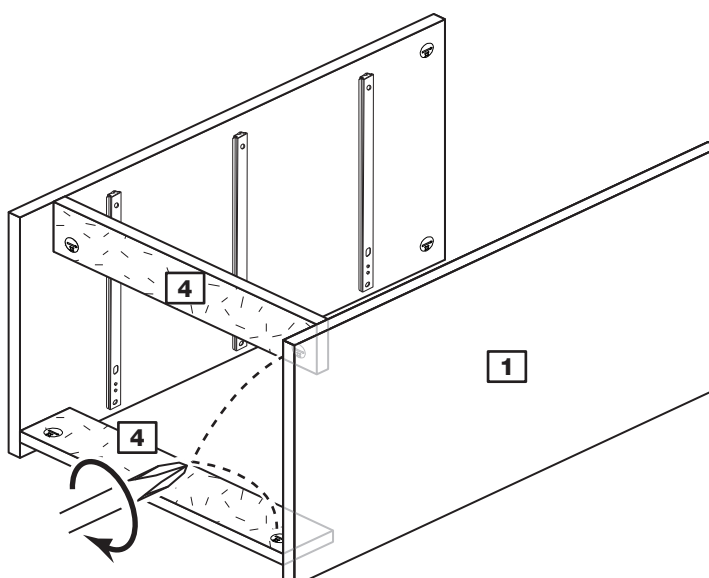


## Step 12

### Fit the left side

Push the left side **1** onto the 2 rails **4**.

Use a screwdriver to tighten the large locking nut **D** fitted to each rail **4**.

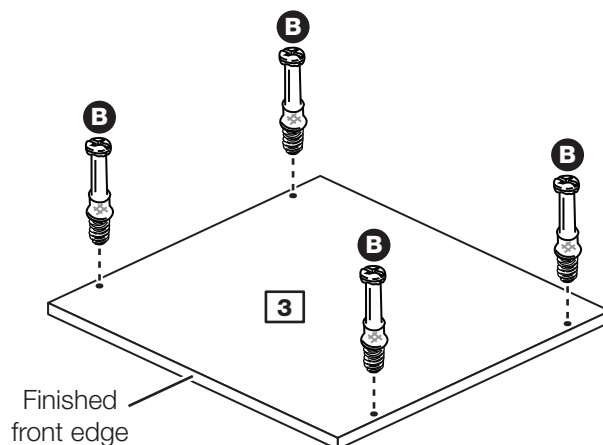


# Assembly Instructions

## Step 13

### Prepare the top

Screw 4 metal dowels **B** into the top **3**.

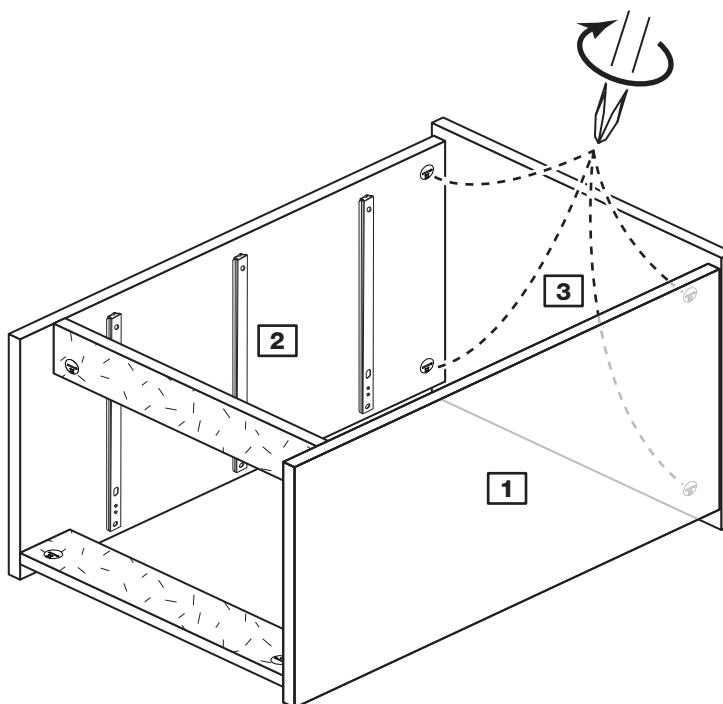


## Step 14

### Fit the top

Push the top **3** onto the sides **1** and **2**.

Use a screwdriver to tighten the 2 large locking nuts **D** fitted to each side **1** and **2**.



# Assembly Instructions

## Step 15

### Fit the back

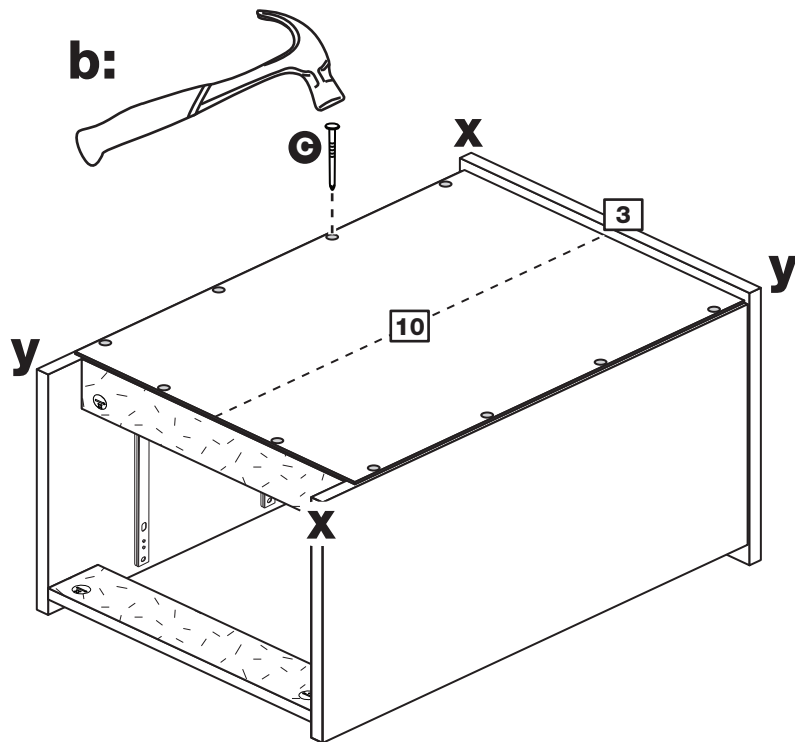
**a:** Square up the unit by making sure that measurement **x** to **x** equals **y** to **y**.

**b:** Place the back **10** onto the unit, making sure it is pushed up against the top **3**.

Nail **C** along the side edges and the bottom edge of the back **10**.

**Note:** Nails should be spaced out evenly.

**a:** The measurement from top corner X to bottom corner X must be equal to the measurement from top corner Y to bottom corner Y

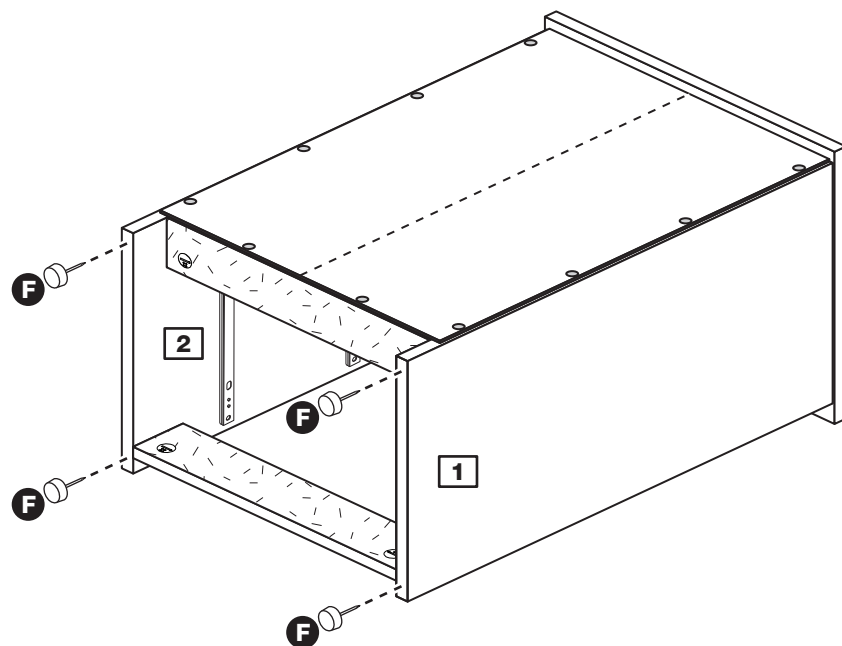


## Step 16

### Fit the plastic nails

Tap 2 plastic nails **F** into the bottom edge of each of the sides **1** and **2** as shown.

**Carefully stand the unit up for the next step.**



# Assembly Instructions

## Step 17

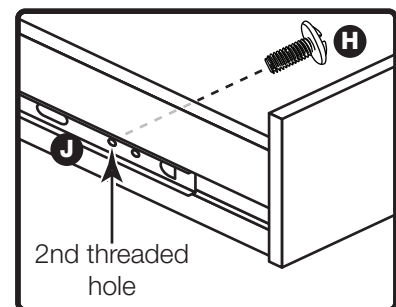
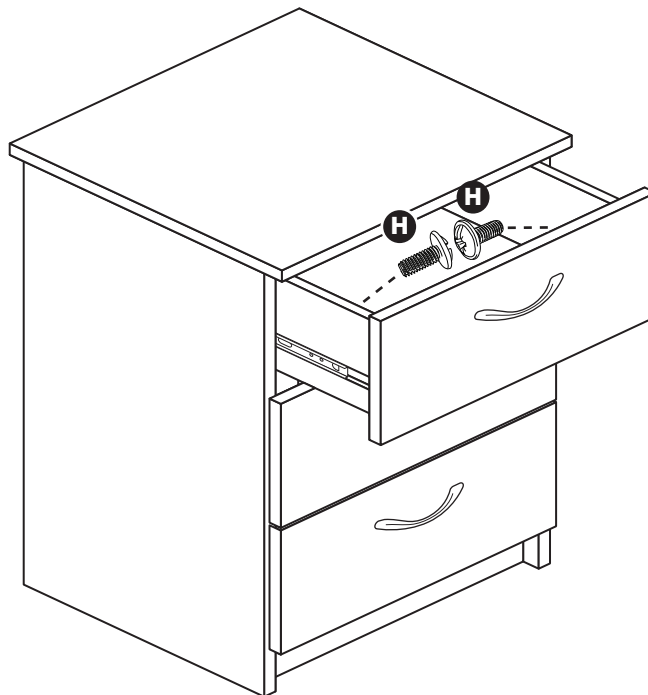
### Fit the drawers

Starting with the bottom drawer, slide both the runners **J** forward and locate the drawer sides **7** and **8** between them, lining up the holes in the drawer wrap with the 2nd 'threaded' holes in the runners **H**.

Working from the inside of the drawer, insert 2 screws **H** through the drawer sides and out into the 2nd threaded hole in the runner.

**Note:** Do not overtighten the screws **H**. If they catch on the runner you may need to loosen them slightly.

**Assembly is complete**



If you need help or have damaged or missing parts, call the Customer Helpline: 08456 400800 and quote the reference numbers on the component pages.

Argos Ltd, 489-499 Avebury Boulevard, Central Milton Keynes, MK9 2NW