

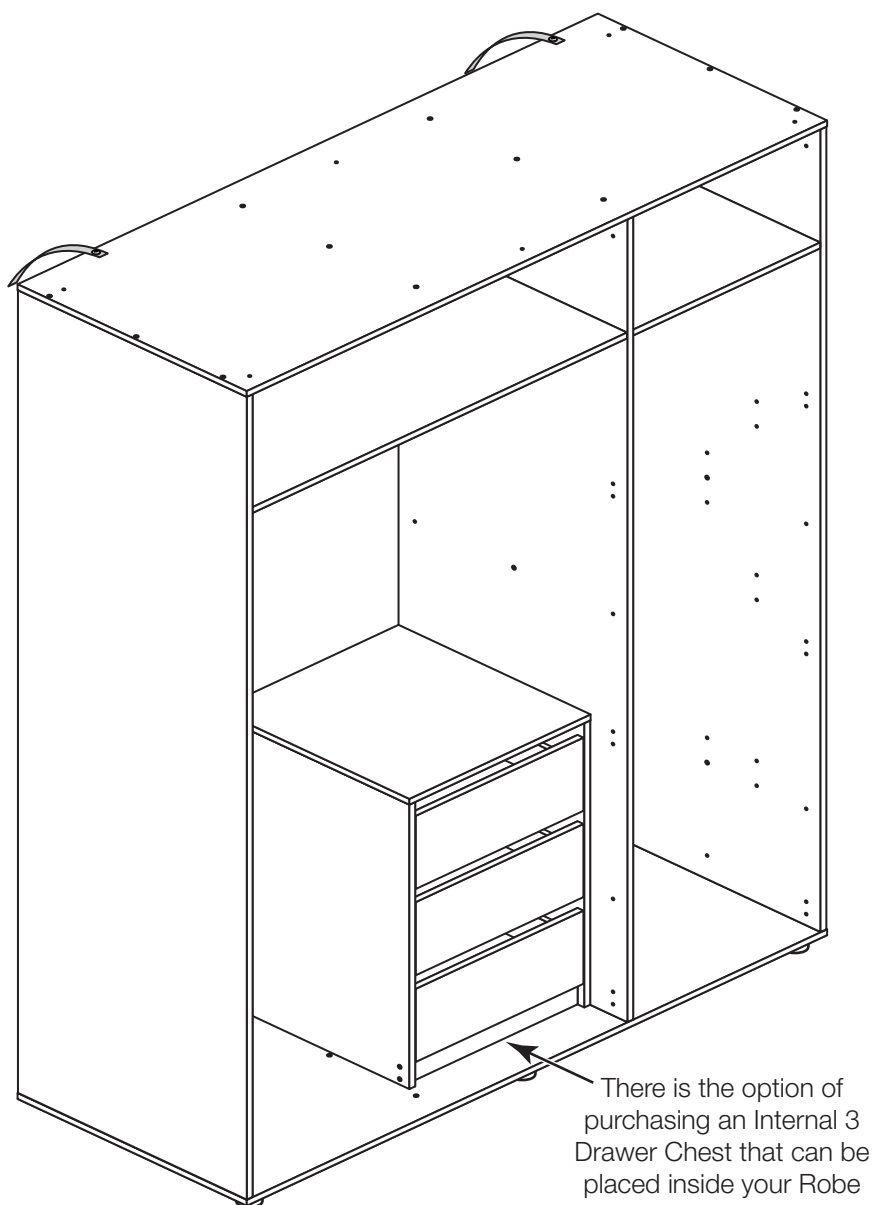
Atlas - Triple Robe Carcass

Assembly Instructions - Please keep for future reference

147/1999

145/7229

157/6760



Dimensions

Width - 150cm

Depth - 59.5cm

Height - 212.5cm

IMPORTANT

The unit **MUST** be fixed to a wall using both of the overbalance protector kits supplied.



**MADE IN
BRITAIN**

Important - Please read these instructions fully before starting assembly

If you need help or have damaged or missing parts, call the **Customer Helpline: 03456 400800**



Safety and Care Advice

Important - Please read these instructions fully before starting assembly

- **Warning:** This unit weighs approximately 65kgs. Please lift with care.

- Check you have all the components and tools listed on pages 2 and 3.

- Remove all fittings from the plastic bags and separate them into their groups.

- Keep children and animals away from the work area, small parts could choke if swallowed.

- Parts of the assembly will be easier with 2 people.

- Make sure you have enough space to layout the parts before starting.

- Do not stand or put weight on the product, this could cause damage.

- Assemble the item as close to its final position (in the same room) as possible.

- Assemble on a soft level surface to avoid damaging the unit or your floor (use opened out unit carton).



- We do not recommend the use of power drill/drivers **for inserting screws**, as this could damage the unit. Only use hand screwdrivers.

- **Safety note:** It is recommended that this unit is secured to a wall using both of the overbalance protector kits supplied or, an alternative fixing method of your choice.

- Dispose of all packaging carefully and responsibly.

Care and maintenance

- Only clean using a damp cloth and mild detergent, do not use bleach or abrasive cleaners.

- From time to time check that there are no loose screws on this unit.

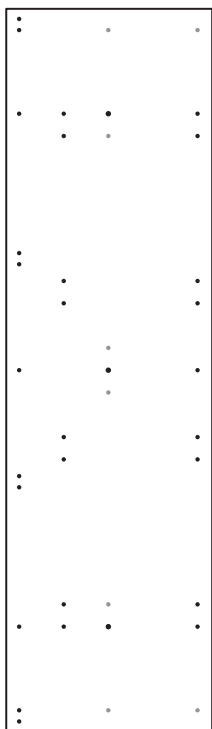
- This product should not be discarded with household waste. Take to your local authority waste disposal centre.

Note: If required the next page can be cut out and used as reference throughout the assembly. Keep this page with these instructions for future reference.

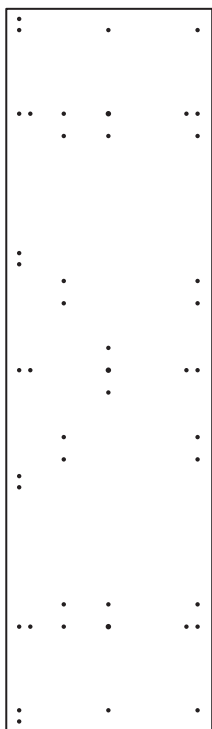
Components - Panels

If you have damaged or missing components, call the **Customer Helpline: 03456 400800** quoting the reference numbers below

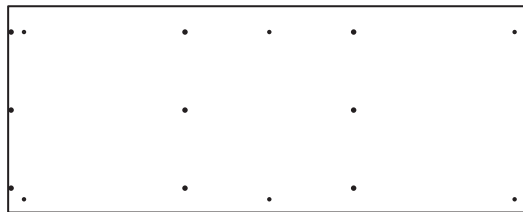
Please check you have all the panels listed below



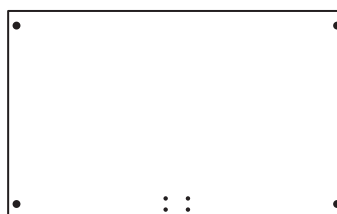
1 Universal End (D2396A)
(2074 x 591mm) x 2



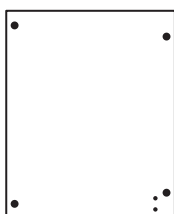
2 Upright (D2653A)
(2074 x 591mm)



3 Top/Base (D2652A)
(1499 x 592mm) x 2



4 Large Fixed Shelf (D2397A)
(968 x 590mm)



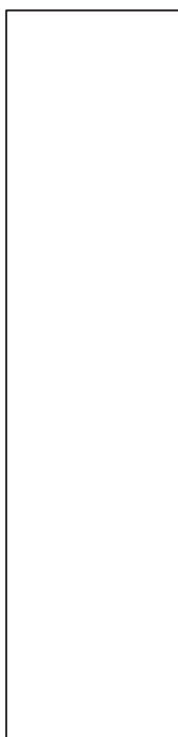
5 Small Fixed Shelf (D2654A)
(484 x 590mm)



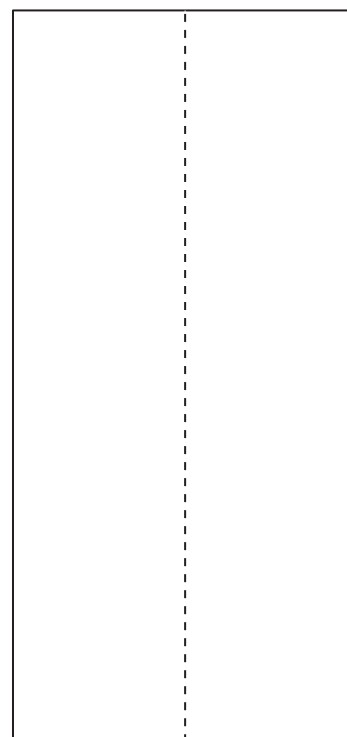
6 Small Hanging Rail (FHR476)
(476mm long) x 2



7 Large Hanging Rail (FHR960)
(960mm long) x 2



8 Small Back (X2100-504)
(2100 x 504mm)



9 Large Back (X2100-988)
(2100 x 988mm)

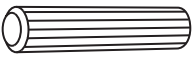
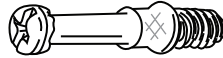

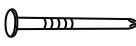






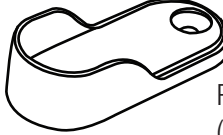
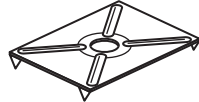
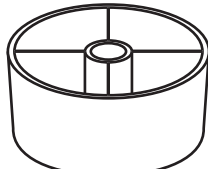
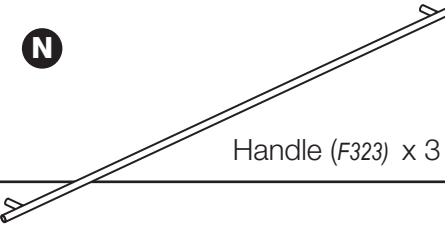
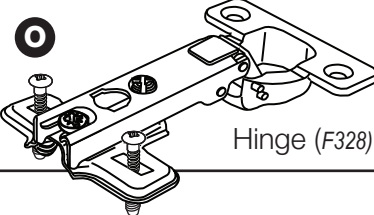
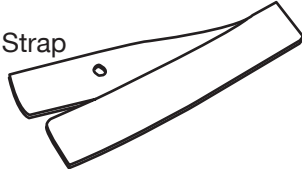




Components - Fittings

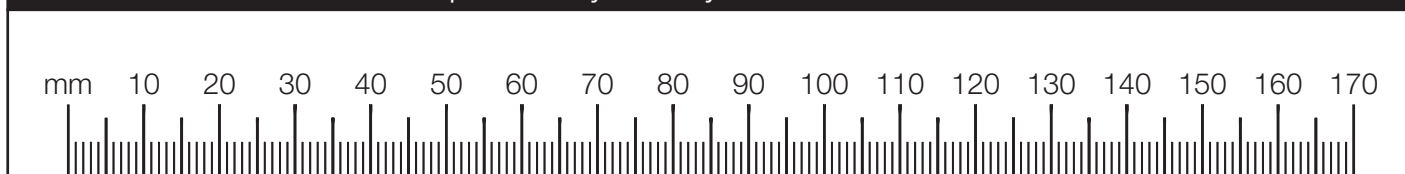
If you have damaged or missing components, call the **Customer Helpline: 03456 400800** quoting the reference numbers below

Please check you have all the fittings listed below

Note: The quantities below are the correct amount to complete the assembly. In some cases more fittings may be supplied than are required.

<p>A </p> <p>Wooden dowel (F22) x 2</p>	<p>B </p> <p>Metal dowel (F901) x 8</p>	<p>C </p> <p>Large locking nut (F900) x 8</p>
<p>D </p> <p>Nail (F51) x 40</p>	<p>E </p> <p>Allen Key (F36) x 1</p>	<p>F </p> <p>50mm Screw (F49) x 18</p>
<p>G </p> <p>25mm Screw (F50) x 6</p>	<p>H </p> <p>19mm Screw (F461) x 6</p>	<p>I </p> <p>Nail screw (F277) x 6</p>
<p>J </p> <p>13mm Screw (F63) x 38</p>	<p>K </p> <p>Rail Holder (F891) x 8</p>	<p>L </p> <p>Back holder (F276) x 6 *These can also be round</p>
<p>M </p> <p>Feet (F854) x 6</p>	<p>N </p> <p>Handle (F323) x 3</p>	<p>O </p> <p>Hinge (F328) x 12</p>
<p>P </p> <p>Strap</p> <p> Screw</p> <p> Washer x 2</p> <p>Overbalance protector kit (F269) x 2</p>		

Ruler - Use this ruler to help correctly identify the screws

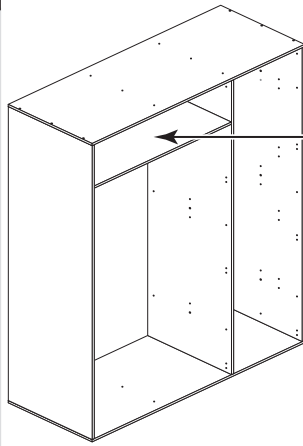


Assembly Instructions

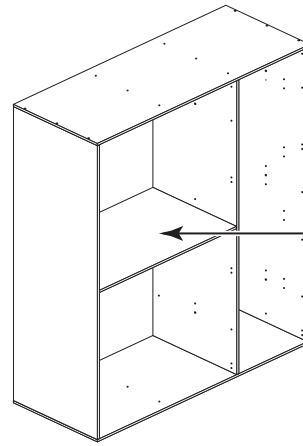
If you have damaged or missing components, call the **Customer Helpline: 03456 400800** quoting the reference numbers below

Step 1

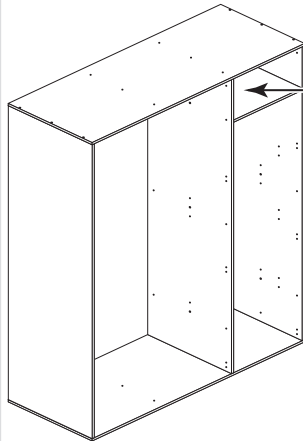
Are you fitting 1 or 2 hanging rails or, a shelf pack?



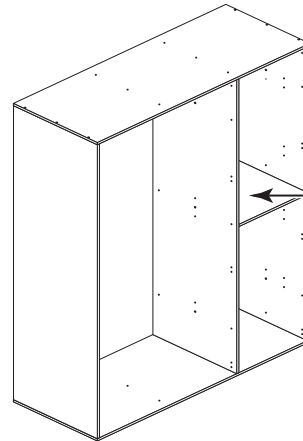
If you are just fitting 1 hanging rail to this side, the large fixed shelf will need to go here.



If you are fitting 2 hanging rails to this side, the large fixed shelf will need to go here.



If you are just fitting 1 hanging rail or the shelf pack to this side, the small fixed shelf will need to go here.



If you are fitting 2 hanging rails to this side, the small fixed shelf will need to go here.

Assembly Instructions

Step 2

Prepare the upright

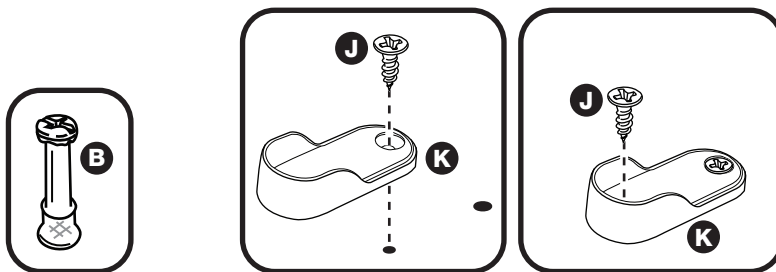
Screw 2 metal dowels **B** into the upright **2**.

Note: Tighten the metal dowels up fully against the panels.

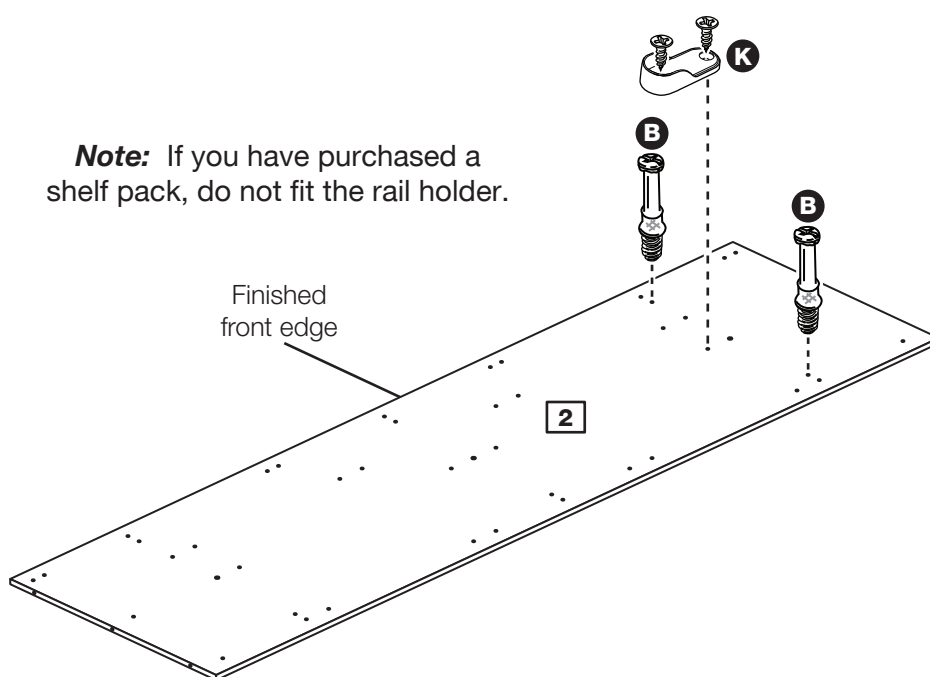
Note: If you have purchased a shelf pack, do not fit the rail holder.

To fit the rail holder **K**, screw through its top hole with screw **J** and into the shallow mark hole drilled in the upright **2**. Make sure that it is fitted straight, in line with the panel edges and then fit another screw **J** using the lower hole.

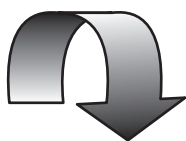
Refer to Step 1 and **ONLY FOLLOW THIS STEP** if you are fitting the small fixed shelf near the top of the unit.



Note: If you have purchased a shelf pack, do not fit the rail holder.



Please ensure you have your panel in exactly the same orientation as the picture above and use the 2 inside holes for screws B as shown in the picture.



Turn the upright over and carry out either step 4 or 5

Assembly Instructions

Step 3

Prepare the upright

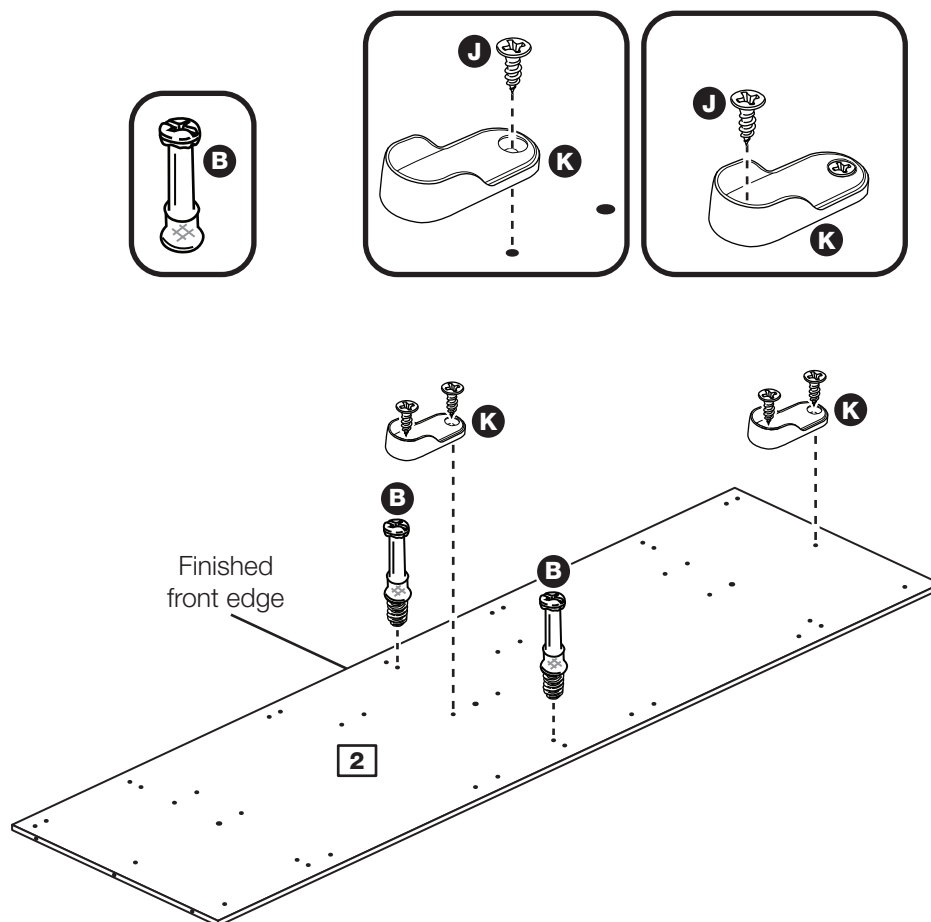
Screw 2 metal dowels **B** into the upright **2**.

Note: Tighten the metal dowels up fully against the panels.

Note: If you have purchased a shelf pack, do not fit the rail holder.

To fit the rail holders **K**, screw through their top hole with screw **J** and into the shallow mark hole drilled in the upright **2**. Make sure that it is fitted straight, in line with the panel edges and then fit another screw **J** using their lower hole.

Refer to Step 1 and **ONLY FOLLOW THIS STEP** if you are fitting the small fixed shelf near the middle of the unit.



Please ensure you have your panel in exactly the same orientation as the picture above and use the 2 inside holes for screws B as shown in the picture.



Turn the upright over and carry out either step 4 or 5

Assembly Instructions

Step 4

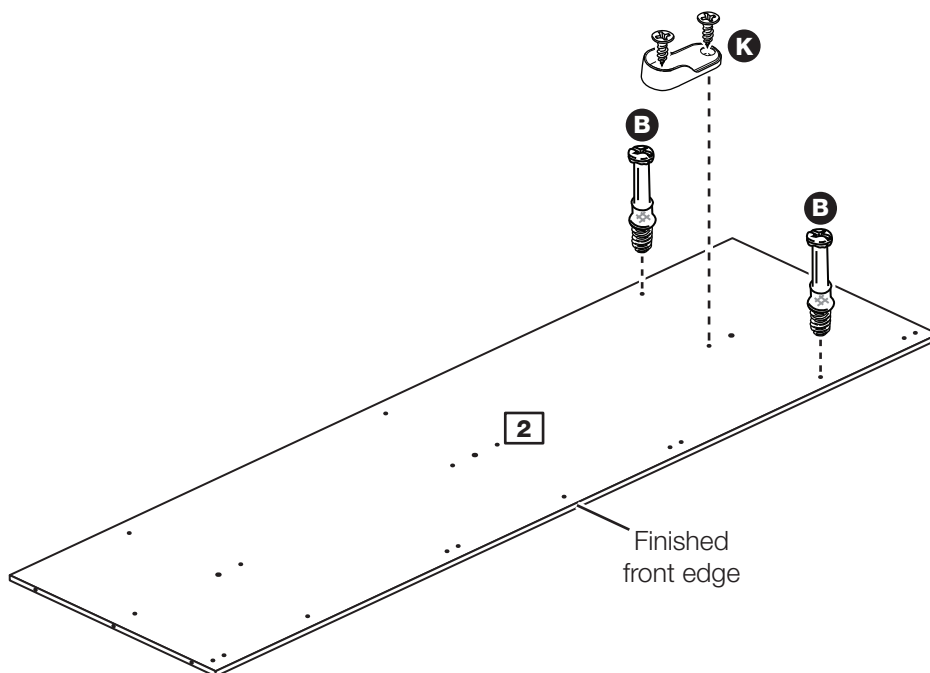
Prepare the upright

Screw 2 metal dowels **B** into the upright **2**.

Note: Tighten the metal dowels up fully against the panels.

To fit the rail holder **K**, screw through its top hole with screw **J** and into the shallow mark hole drilled in the upright **2**. Make sure that it is fitted straight, in line with the panel edges and then fit another screw **J** using the lower hole.

Refer to Step 1 and **ONLY FOLLOW THIS STEP** if you are fitting the large fixed shelf near the top of the unit.



Step 5

Prepare the upright

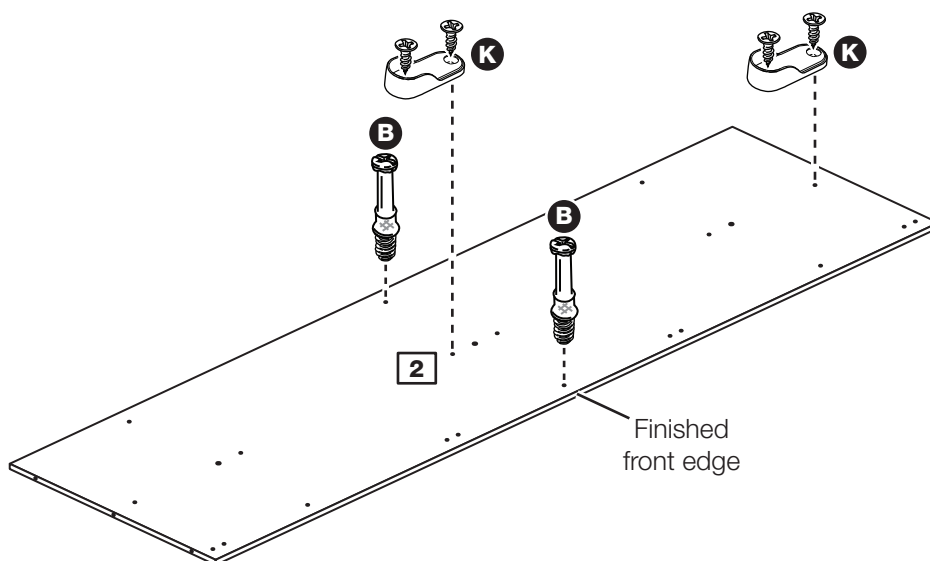
Screw 2 metal dowels **B** into the upright **2**.

Note: Tighten the metal dowels up fully against the panels.

Note: If you have purchased a shelf pack, do not fit the rail holder.

To fit the rail holders **K**, screw through their top hole with screw **J** and into the shallow mark hole drilled in the upright **2**. Make sure that it is fitted straight, in line with the panel edges and then fit another screw **J** using their lower hole.

Refer to Step 1 and **ONLY FOLLOW THIS STEP** if you are fitting the large fixed shelf near the middle of the unit.



Assembly Instructions

Step 6

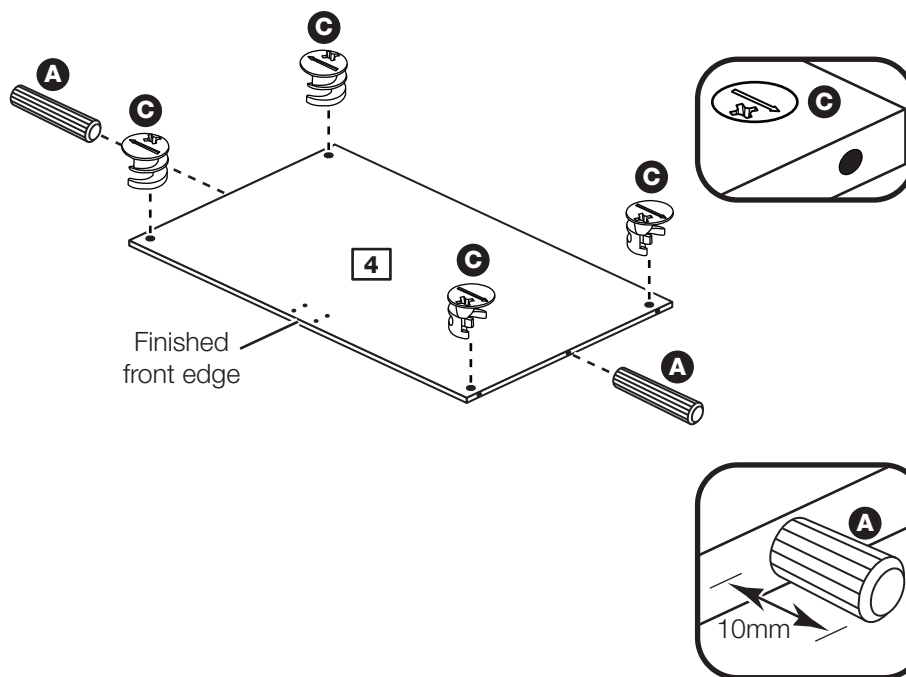
Prepare the large fixed shelf

Tap 2 wooden dowels **A** into the large fixed shelf **4**.

Note: Wooden dowels **must not** stick out from the edge by more than 10mm or they may damage other panels.

Insert 4 large locking nuts **C** into the large fixed shelf **4**.

Note: The arrow on the locking nut **must** point towards the hole in the edge of the panel.



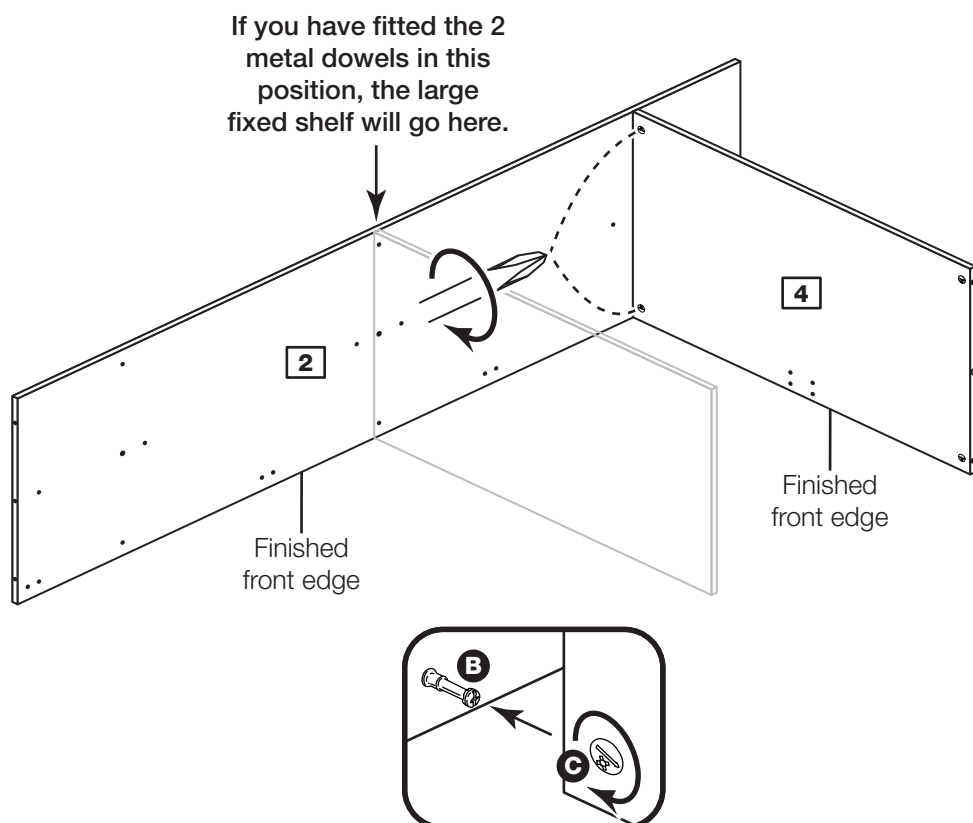
Step 7

Join the large fixed shelf to the upright

Push the large fixed shelf **4** onto the upright **2**.

Use a screwdriver to tighten the 2 large locking nuts **C** fitted to the large fixed shelf **4**.

Note: Turn the large locking nuts **C** as far as they will go - more than 1/2 a turn.

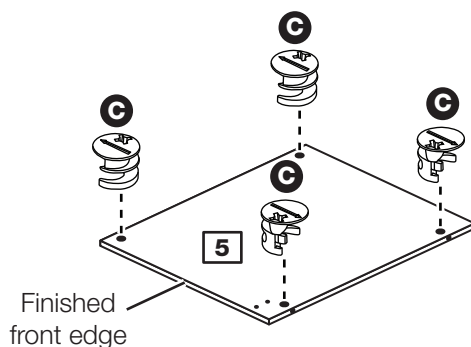


Assembly Instructions

Step 8

Prepare the small fixed shelf

Insert 4 large locking nuts **C** into the small fixed shelf **5**.



The following assembly diagrams will show the 2 fixed shelves at the top end of the unit.
You may have fitted 1 or both of them in the middle of the unit.

Step 9

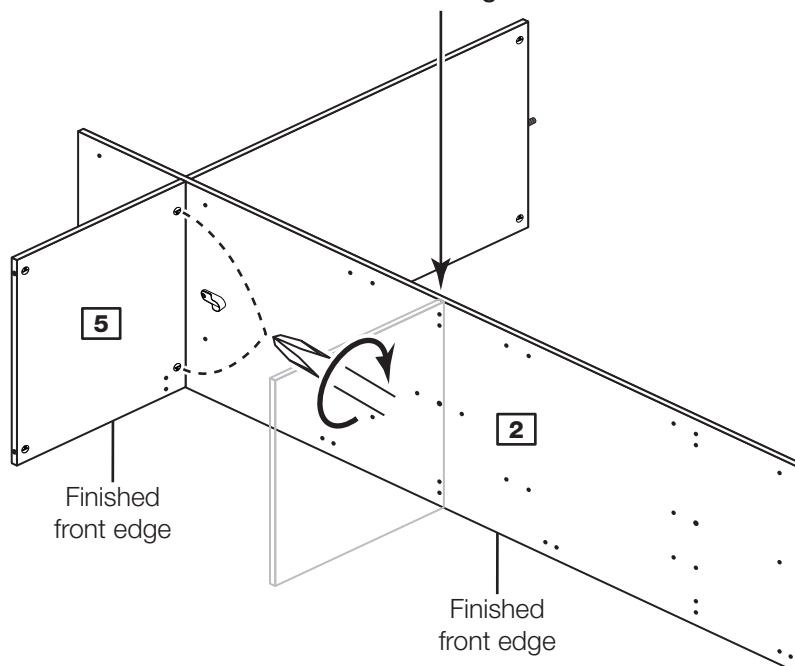
Join the small fixed shelf to the upright

Push the small fixed shelf **5** onto the upright **2**.

Use a screwdriver to tighten the 2 large locking nuts **C** fitted to the small fixed shelf **5**.

Note: Turn the large locking nuts **C** as far as they will go - more than 1/2 a turn.

If you have fitted the 2 metal dowels in this position, the small fixed shelf will go here.



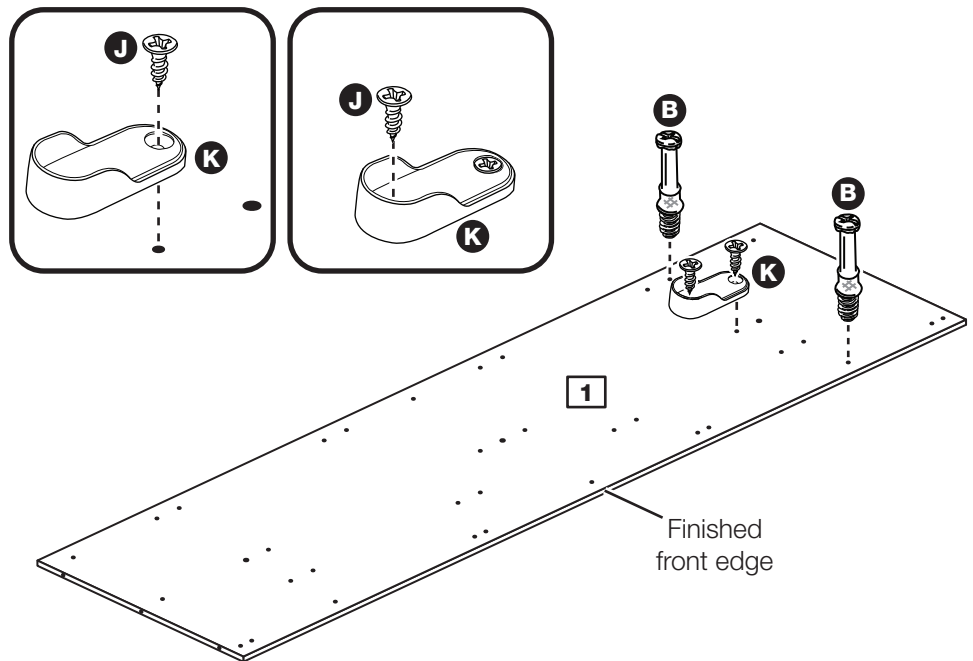
Assembly Instructions

Step 10

Prepare the right end

Screw 2 metal dowels **B** into the right end **1**.

To fit the rail holder **K**, screw through its top hole with screw **J** and into the shallow mark hole drilled in the right end **1**. Make sure that it is fitted straight, in line with the panel edges and then fit another screw **J** using the lower hole.



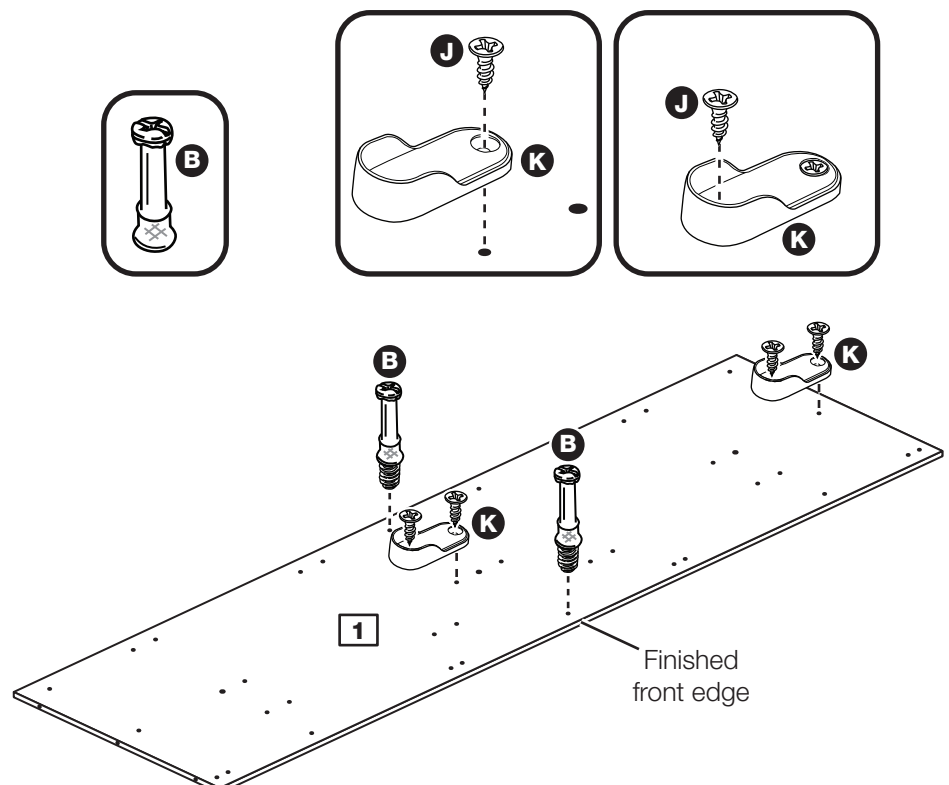
Step 11

Prepare the right end

Screw 2 metal dowels **B** into the right end **1**.

Note: Tighten the metal dowels up fully against the panels.

To fit the 2 rail holders **K** screw through the top hole with screw **J** and into the shallow mark hole drilled in the right end **1**. Make sure that they are fitted straight, in line with the panel edges and then fit another screw **J** using the lower hole.



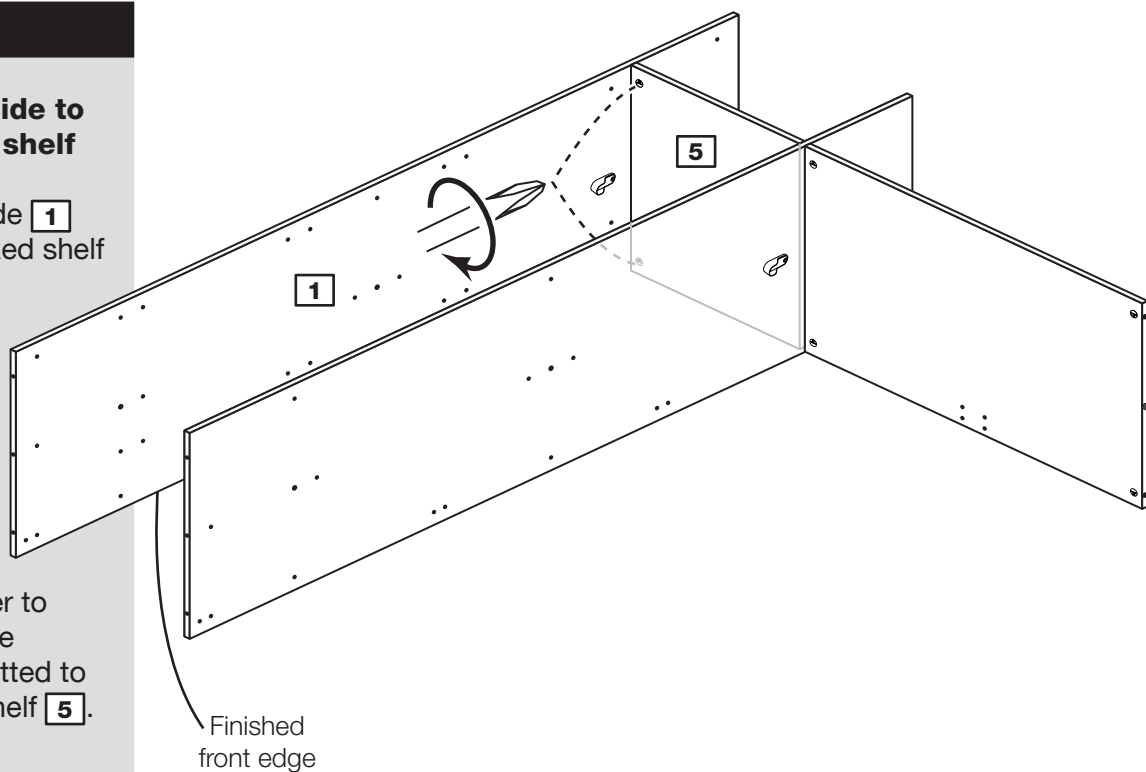
Assembly Instructions

Step 12

Join the right side to the small fixed shelf

Push the right side **1** onto the small fixed shelf **5**.

Use a screwdriver to tighten the 2 large locking nuts **C** fitted to the small fixed shelf **5**.



Step 13

Prepare the left end

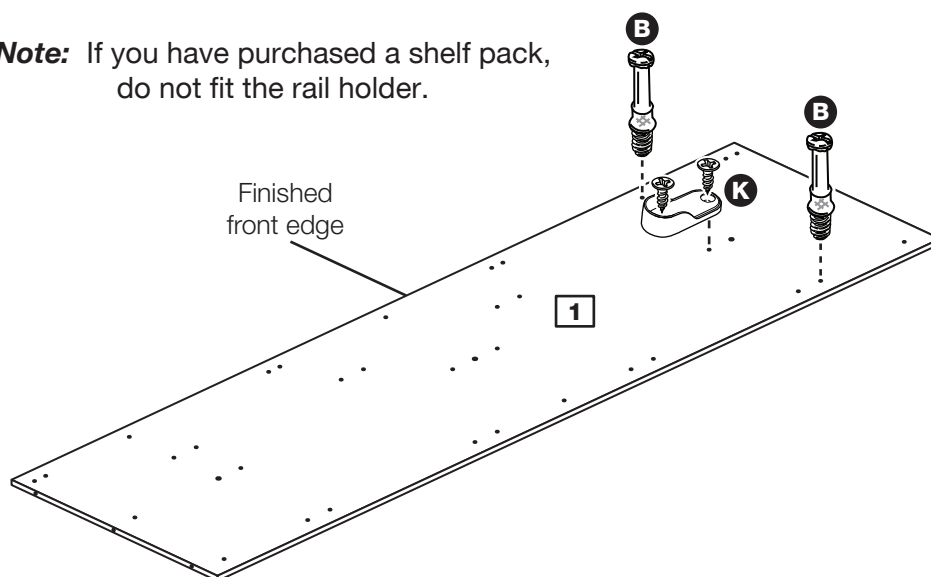
Screw 2 metal dowels **B** into the left end **1**.

Note: Tighten the metal dowels up fully against the panels.

To fit the rail holder **K**, screw through its top hole with screw **J** and into the shallow mark hole drilled in the left end **1**. Make sure that it is fitted straight, in line with the panel edges and then fit another screw **J** using the lower hole.

ONLY FOLLOW THIS STEP if you have fitted the large fixed shelf near the top of the upright.

Note: If you have purchased a shelf pack, do not fit the rail holder.



Assembly Instructions

Step 14

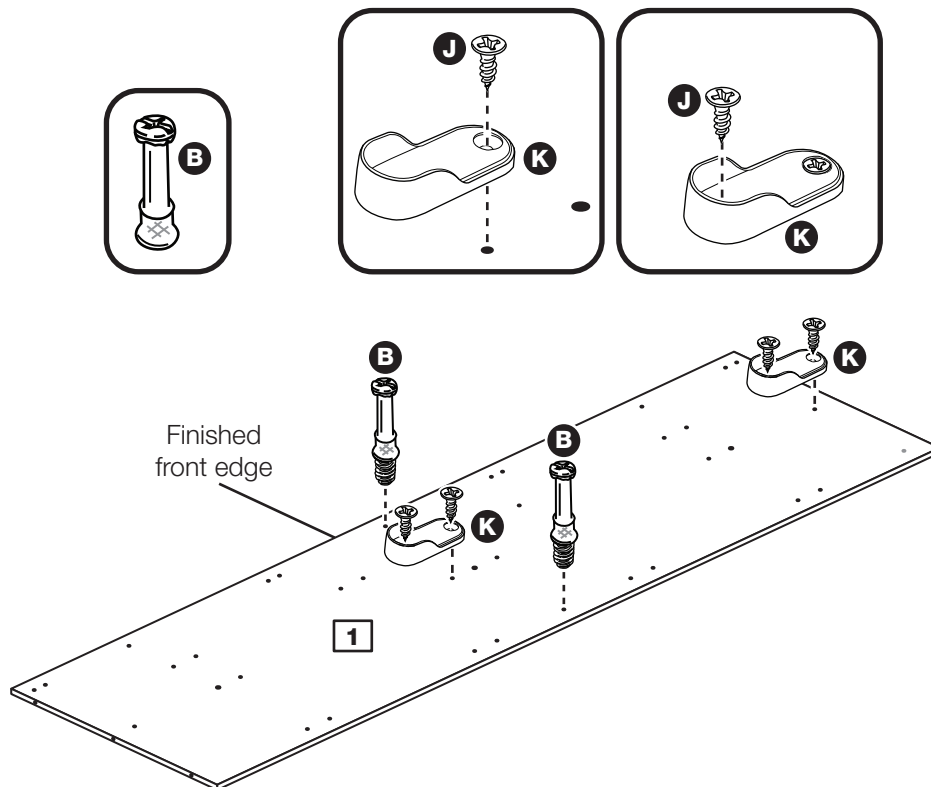
Prepare the left end

Refer to step 1 and, if you have chosen to fit 2 hanging rails, screw 2 metal dowels **B** into the left end **1**.

Note: Tighten the metal dowels up fully against the panels.

To fit the 2 rail holders **K** screw through the top hole with screw **J** and into the shallow mark hole drilled in the left end **1**. Make sure that they are fitted straight, in line with the panel edges and then fit another screw **J** using the lower hole.

ONLY FOLLOW THIS STEP if you have fitted the large fixed shelf in the middle of the upright.

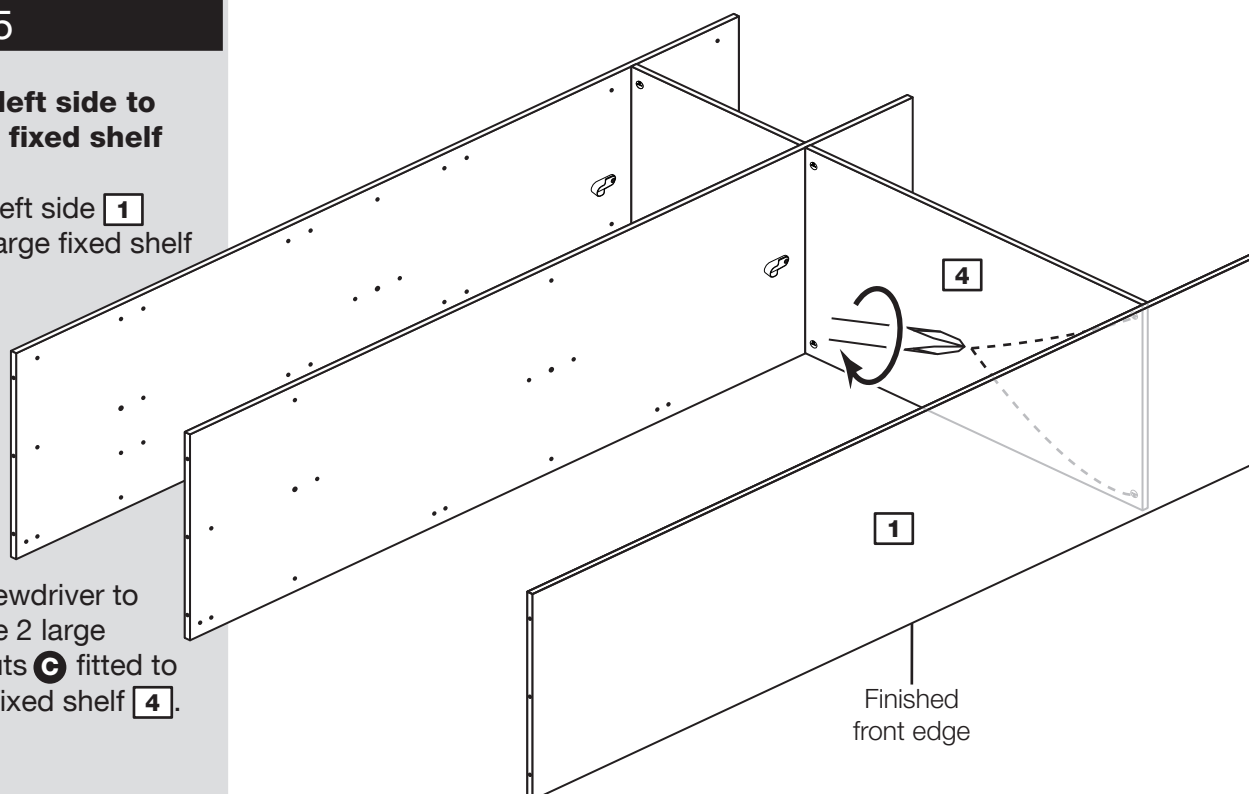


Step 15

Join the left side to the large fixed shelf

Push the left side **1** onto the large fixed shelf **4**.

Use a screwdriver to tighten the 2 large locking nuts **C** fitted to the large fixed shelf **4**.

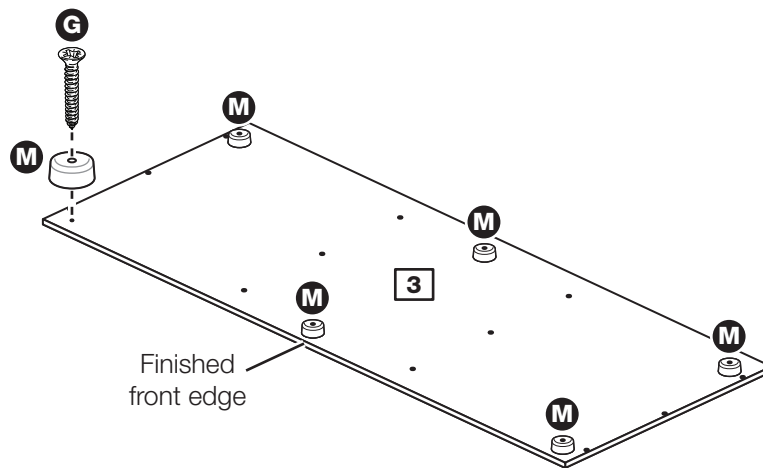


Assembly Instructions

Step 16

Prepare the base

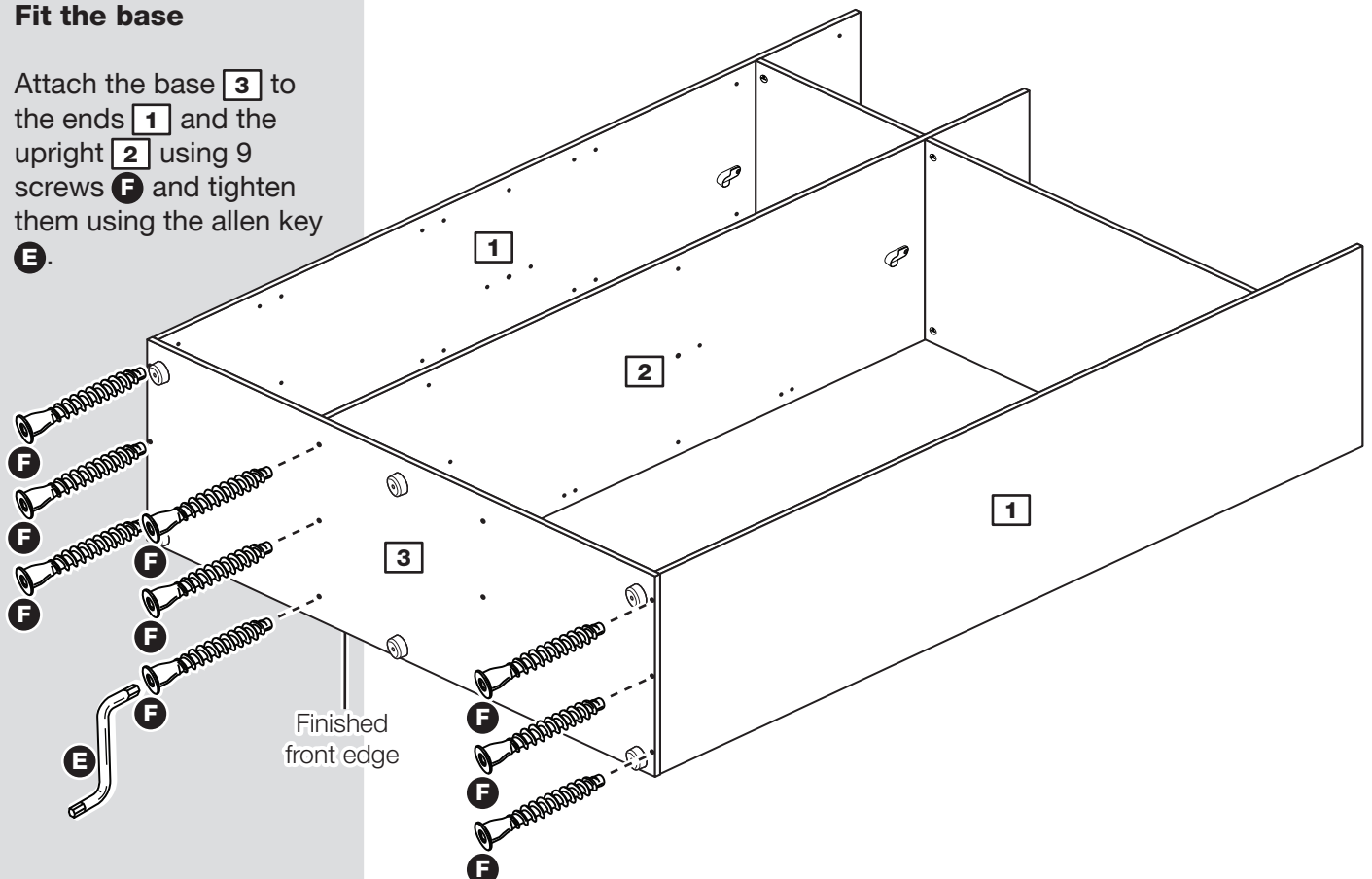
Screw the 6 feet **M** into the shallow mark holes on the base **3** using screws **G**.



Step 17

Fit the base

Attach the base **3** to the ends **1** and the upright **2** using 9 screws **F** and tighten them using the allen key **E**.

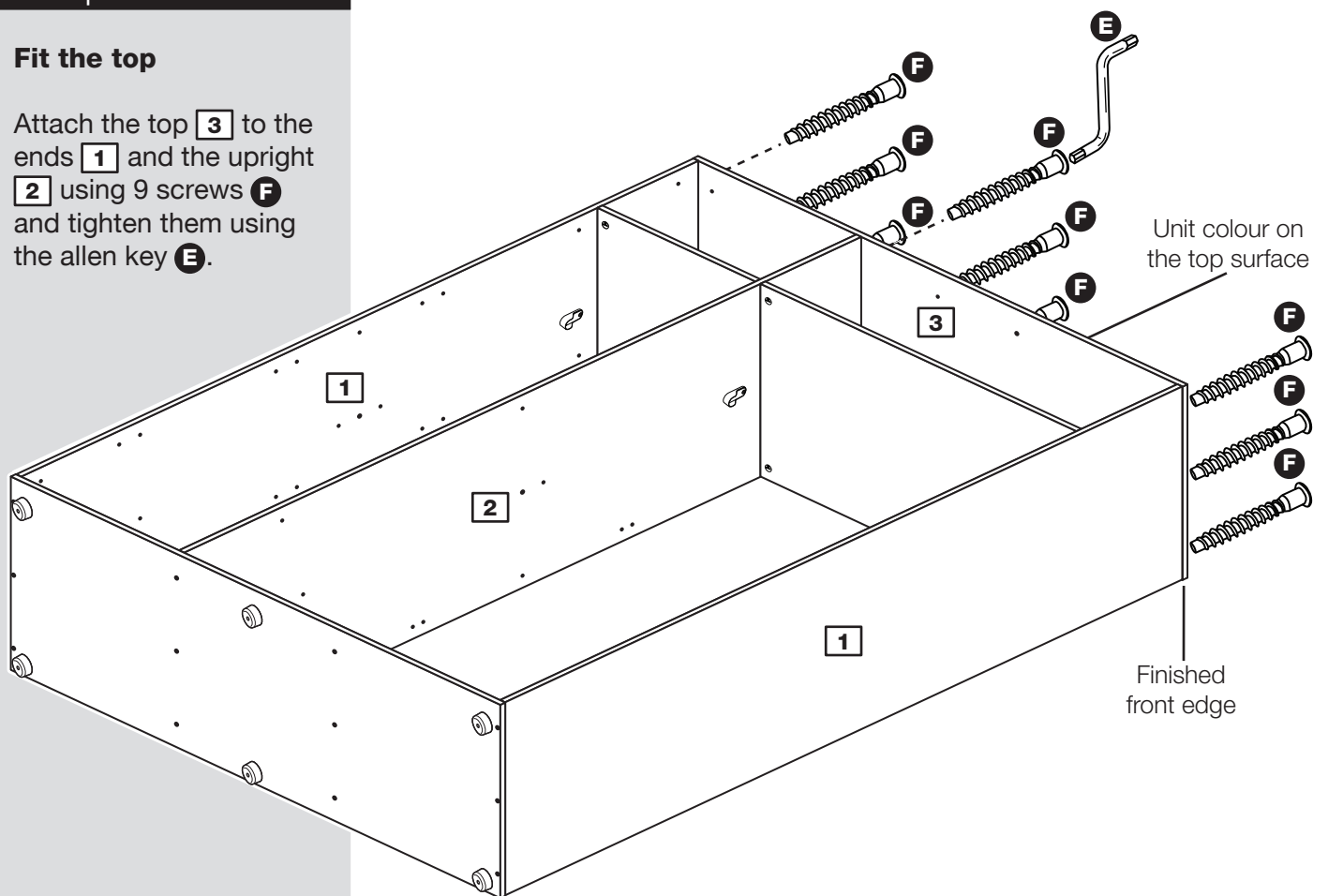


Assembly Instructions

Step 18

Fit the top

Attach the top **3** to the ends **1** and the upright **2** using 9 screws **F** and tighten them using the allen key **E**.



Assembly Instructions

Step 19

Fit the back panels

a: Square up the unit by making sure that the measurement **x:x equals y:y**.

Place the small back **8** and large back **9**, coloured surface facing down, onto the unit as shown.

Make sure that the 2 backs are pushed up tight against each other and that they meet in the centre of the divider's back edge.

b: Nail **D** around the outside edges of the 2 backs.

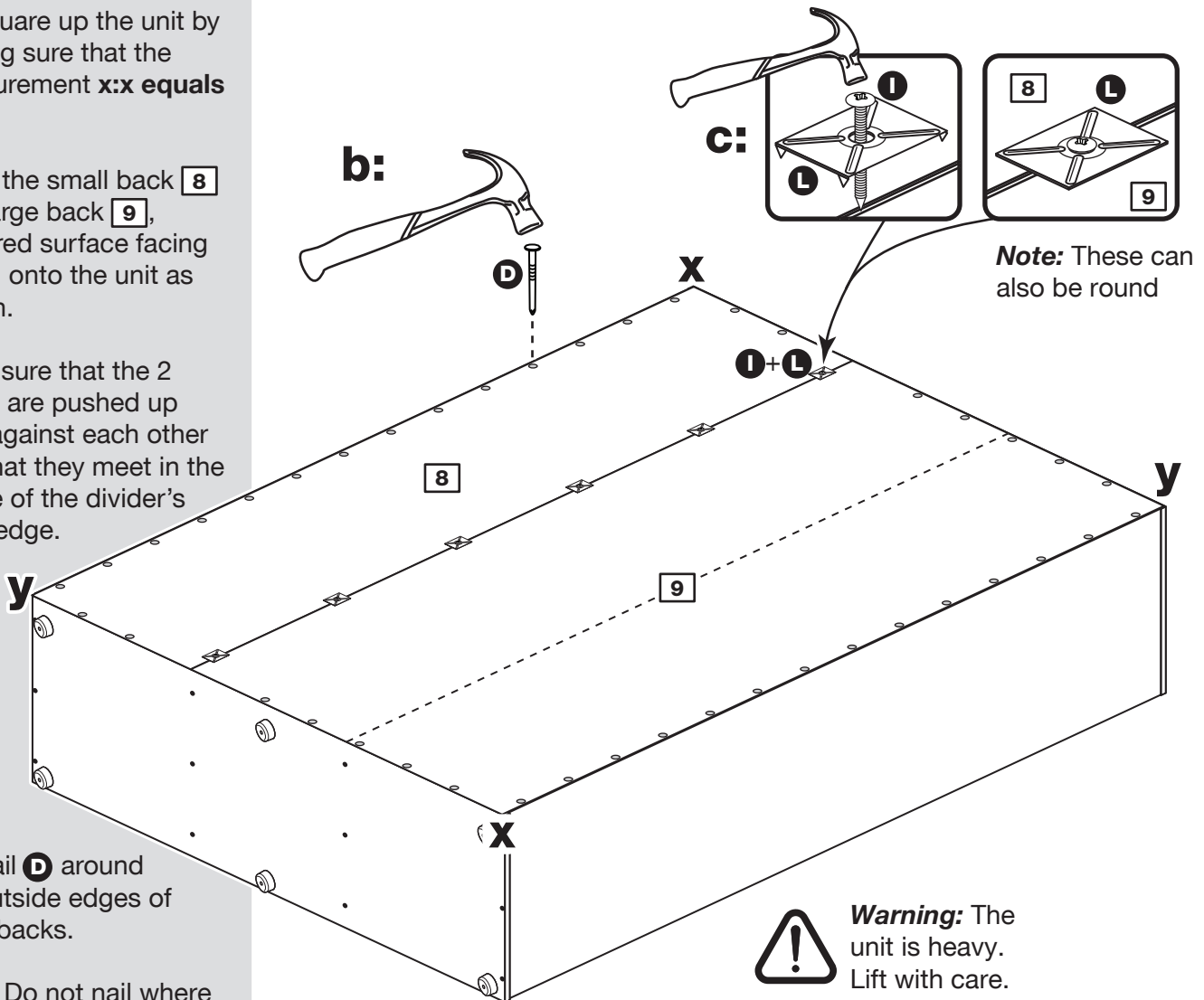
Note: Do not nail where the 2 backs meet.

c: Push the nail screws **I** through the back holders **L** and tap them down between the small back **8** and large back **9** and into the back edge of the upright **2**.

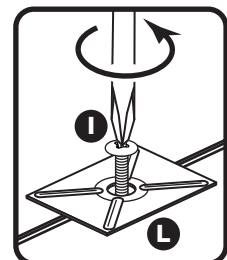
Keep tapping the nail screws **I** in until the back holders **L** dig into the small and large back.

Stand the unit up for the next step.

a: The measurement from top corner X to bottom corner X must be equal to the measurement from top corner Y to bottom corner Y



Note: If ever you need to take the backs off to dismantle the unit, the nail screws can be taken out using a screwdriver.

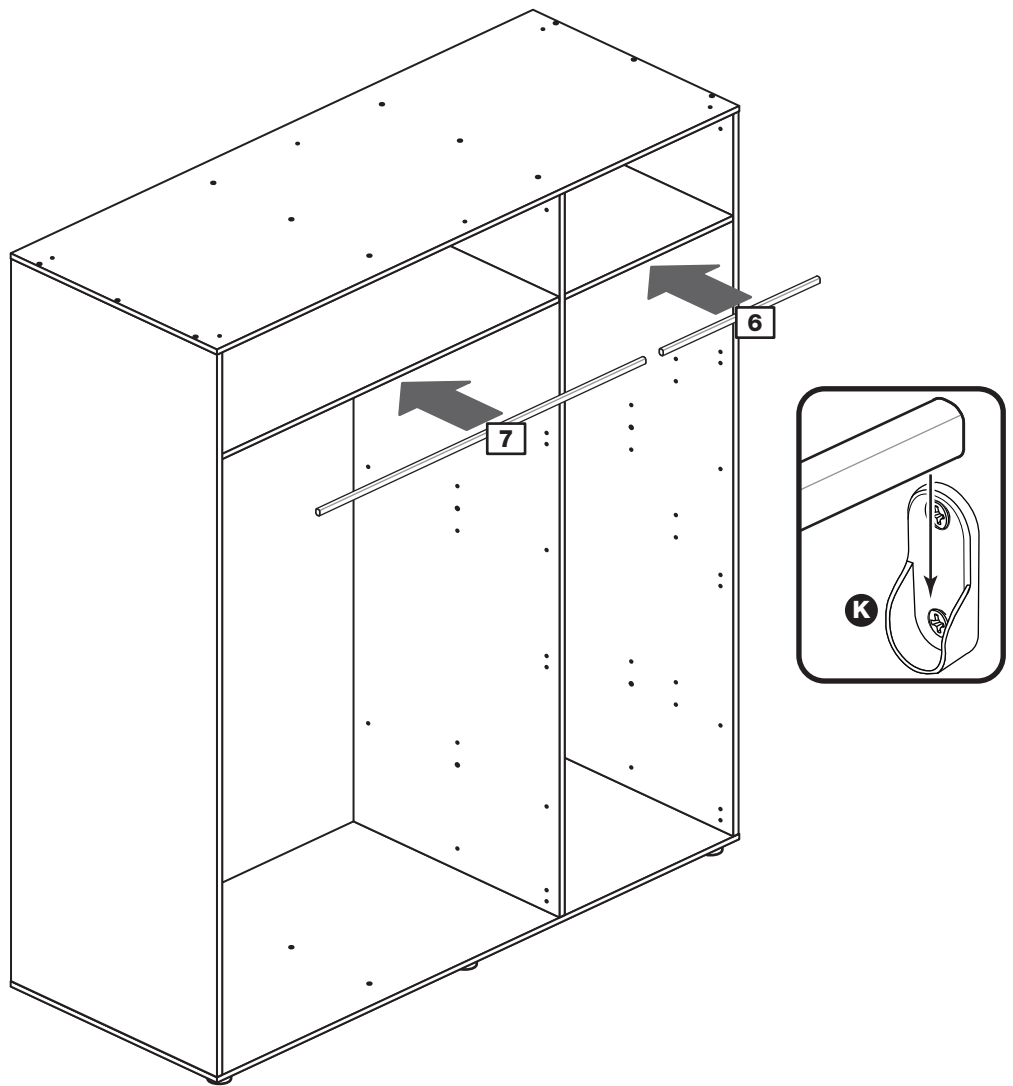


Assembly Instructions

Step 20

Fit the hanging rail(s)

If required, push the hanging rail(s) **6** and **7** into the rail holders **K** fitted to the panels.



Assembly Instructions

Step 21

Fit both of the overbalance protector kits

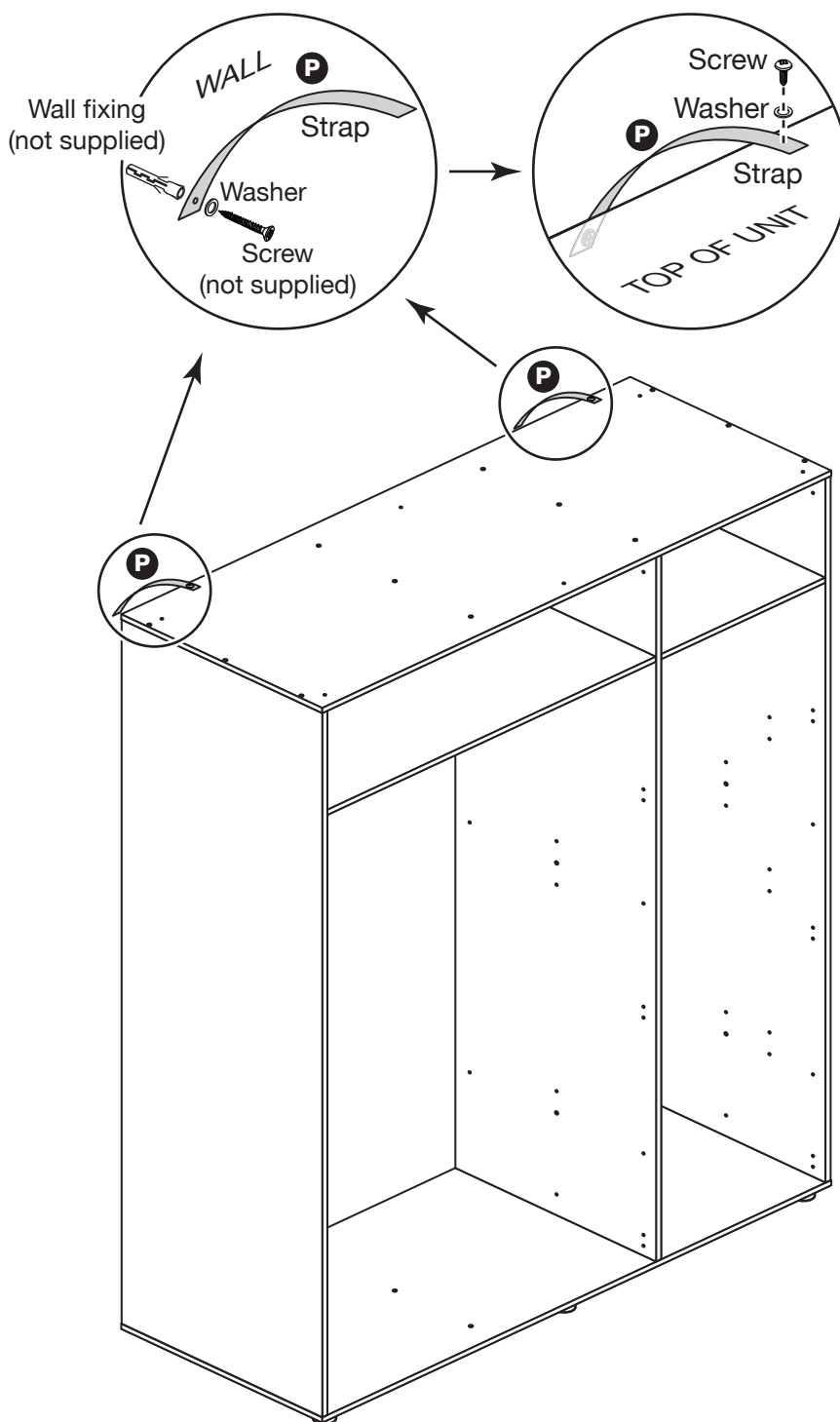
To prevent possible overbalancing we recommend that this unit is secured to a suitable wall by fitting of both of the overbalance protector kits **P** to the unit, or an alternative fixing method of your choice.

Wall fixings are not supplied as they will need to suit the wall type.

Note: Take care when drilling the wall that you do not drill into any pipes, wires etc. If in doubt, consult an expert.

IMPORTANT

This unit **MUST** be fixed to a wall using both of the overbalance protector kits supplied. The unit must be level and square before fitting the overbalance protector kits.



NOTE

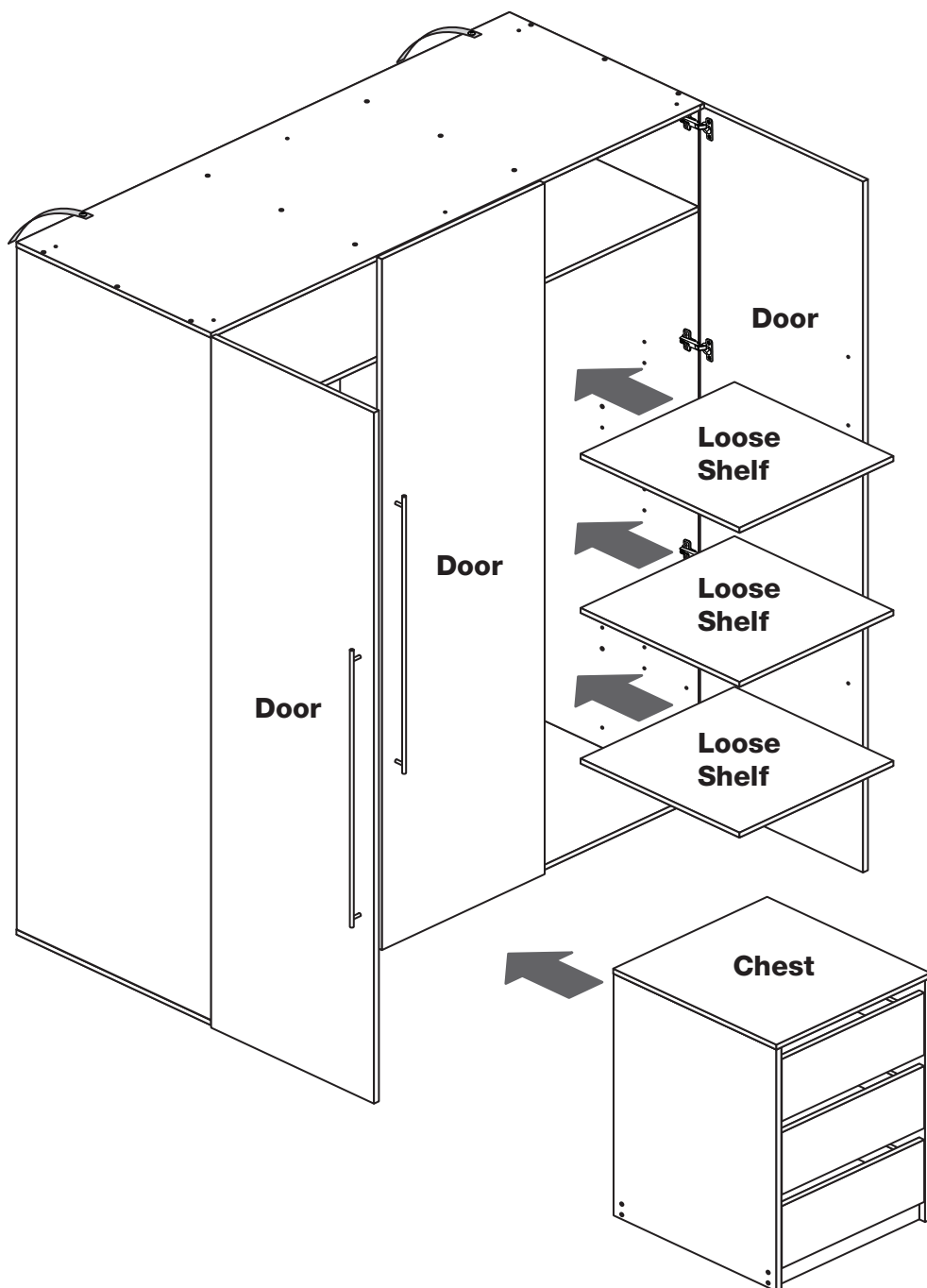
The unused fittings from this assembly are used to fit the doors. Please refer to the instructions packed with the doors.

Assembly Instructions

Step 22

Fit the doors and, if required, the shelf pack and internal chest

Please refer to the instructions packed with the doors, shelf pack or internal chest.



IMPORTANT

The unused fittings from this assembly are used to fit the doors.
Please refer to the instructions packed with the doors.

If you need help or have damaged or missing parts, call the Customer Helpline: 03456 400800 and quote the reference numbers on the component pages.

Argos Ltd, 489-499 Avebury Boulevard, Central Milton Keynes, MK9 2NW

