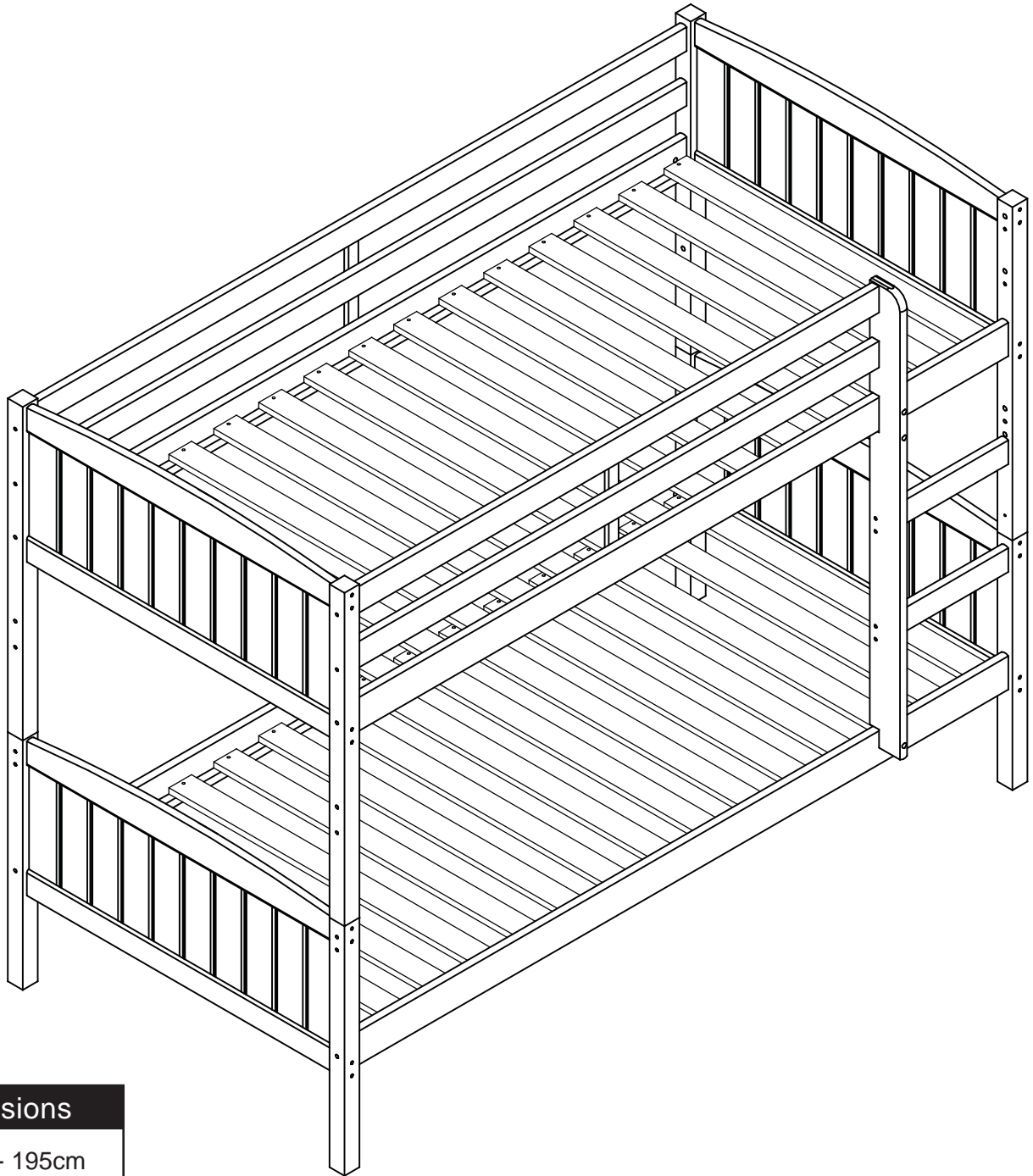


Classic white bunkbed frame - 190x90 cm

Assembly Instructions - Please keep for future reference

1914425



Dimensions

Length - 195cm

Depth - 96/102cm

Height - 146cm

Weight - 43kg

Important – Please read these instructions fully before starting assembly

If you need help or have damaged or missing parts, call the **Customer Helpline:**

0045 7668 8055 or e-mail: order@flexa.dk



Safety and Care Advice

Important – Please read these instructions fully before starting assembly

- Check you have all the components and tools listed on pages 2, 3 and 4.
- Remove all fittings from the plastic bags and separate them into their groups.
- Keep children and animals away from the work area, small parts could choke if swallowed.
- Make sure you have enough space to layout the parts before starting.

- Do not stand or put weight on the product, this could cause damage.
- Assemble the item as close to its final position (in the same room) as possible.
- Assemble on a soft level surface to avoid damaging the unit or your floor.
- Parts of the assembly will be easier with 2 people.



- We do not recommend the use of power drill/drivers **for inserting screws**, as this could damage the unit. Only use hand screwdrivers.
- Dispose of all packaging carefully and responsibly.

Care and maintenance

- Only clean using a damp cloth and mild detergent, do not use bleach or abrasive cleaners.
- From time to time check that there are no loose screws on this unit.
- This product should not be discarded with household waste. Take to your local authority waste disposal centre.

IMPORTANT, READ CAREFULLY -RETAIN FOR FUTURE REFERENCE.

ASSEMBLY:

Current legislation requires that the bunk bed must be fitted with 4 safety-rails and a ladder or platform for the upper bunk bed. The bunk bed meets the European EN 747-2012 standards for security and durability.

MATTRESS:

This bed is designed to use a mattress size **190** cm. long and **90** cm. wide. The total thickness must not exceed **16,1** cm. The mattress top must not pass the marking on the ladder / the post for the safety-rail.

WARNING:

High beds and the upper bed of bunk beds are not suitable for children under six years due to the risk of injury from falls. Do not use the bed if any structural part is broken or missing. Be aware that children can strangle in items such as ropes, strings, cords, harnesses and belts attached to or hung on a bunk bed/high bed.

WARNING:

Children can become trapped between the bed and the wall. To avoid risk of serious injury the distance between the top safety barrier and the wall shall not exceed 75 mm. or shall be more than 230 mm.

MAINTENANCE INSTRUCTIONS:

All assembly fastenings should always be tightened properly and that care should be taken that no fittings are loose.

CLEANING:

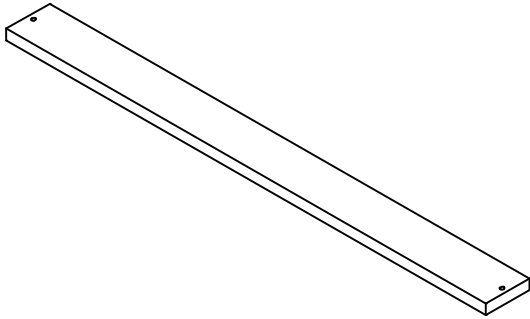
LACQUERED: Wooden, lacquered and painted as well as laminated surfaces should be wiped over with a cloth and a mild soap.

OIL: Oiled surfaces can be cleaned with soapy water, e.g. brown soap. Wipe with a clean cloth. To maintain the natural life in the furniture which is provided by the oil treatment, we recommend an oil aftercare of the furniture 1-2 times a year. The colourless natural oil for maintenance of oil-treated furniture is available at your local furniture store.

Components - Parts

If you have damaged or missing components, call the **Customer Helpline: 0045 7668 8055**

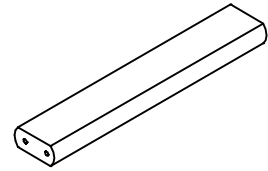
Please check you have all the parts listed below



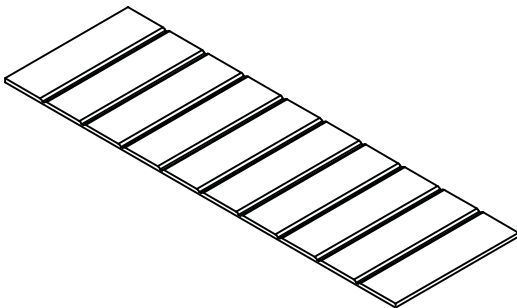
1 Slat x30 (89.7x6.5x1.5cm)
No. 12-01508971



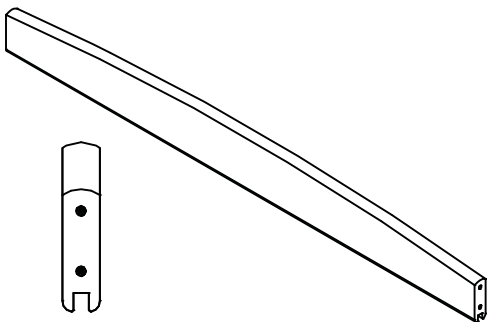
2 List f.safety x2 (31.8x2.8x1.2cm)
No. 12-01203181-20



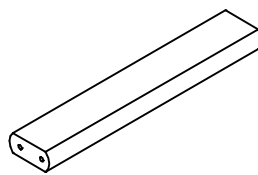
3 Tread (w.4 holes) x1
(35.0x6.5x2.0cm)
No. 12-02003503-20



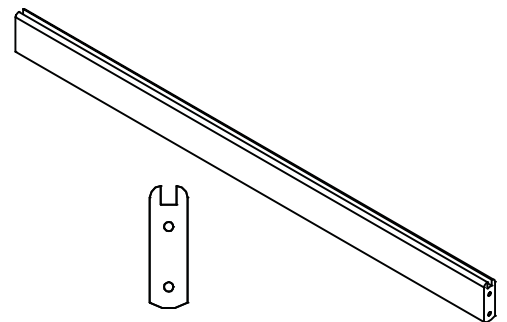
4 End panel x4 (87.7x27.6x0.8cm)
No. 4301-0808771-20



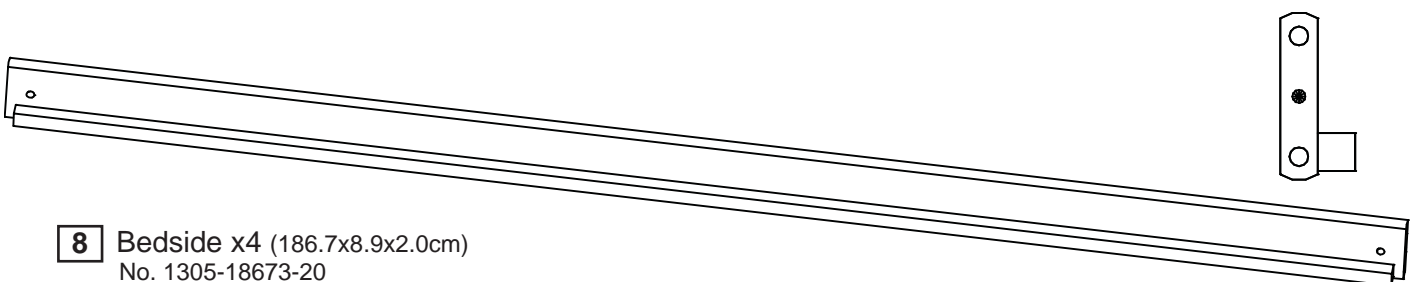
5 Endrail x4 (87.7x9.2x2.0cm)
No. 12-02008771-20



6 Tread (w.3 holes) x1
(35.0x6.5x2.0cm)
No. 12-02003504-20



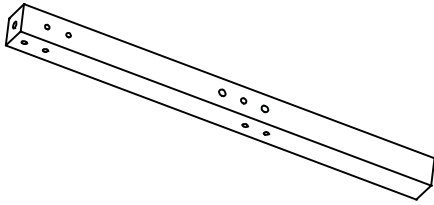
7 Endrail x 4 (87.7x6.5x2.0cm)
No. 12-02008772-20



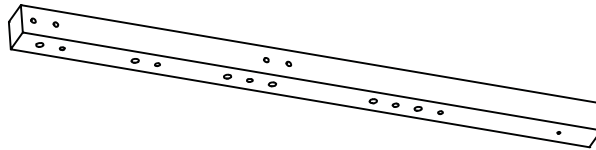
8 Bedside x4 (186.7x8.9x2.0cm)
No. 1305-18673-20

Components - Parts

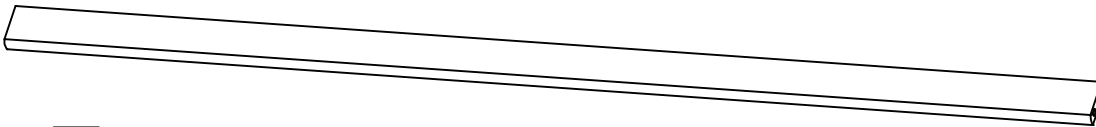
Please check you have all the parts listed below



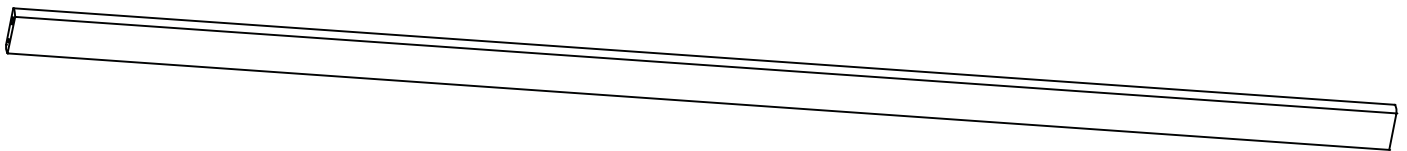
9 Leg short x4 (61.8x4.3x4.3cm)
No. 12-04306181-20



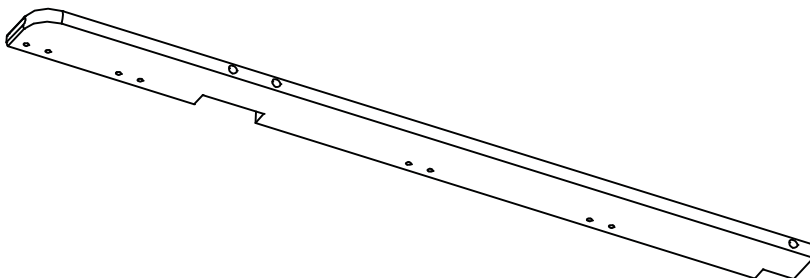
11 Leg long x4 (82.6x4.3x4.3cm)
No. 12-04308262-20



10 Safety rail 3/4 x2 (149.7x6.5x2.0cm)
No. 12-02014971-20



12 Safety rail 1/1 x2 (186.7x6.5x2.0cm)
No. 12-02018673-20

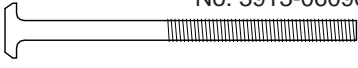

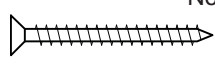
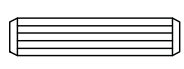

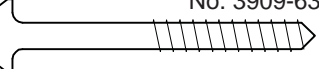


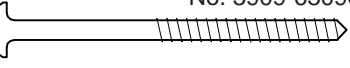

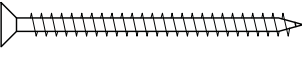
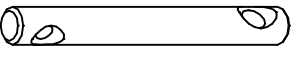

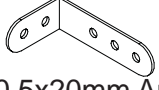


13 Ladderside bunkbed x1 (114.8x8.9x2.0cm)
No. 12-02011481-20

Components - Fittings

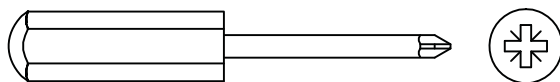
Please check you have all the fittings listed below

Note: The quantities below are the correct amount to complete the assembly. In some cases more fittings may be supplied than are required.

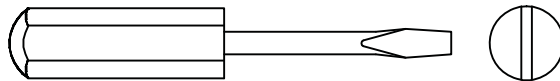
A  No. 3913-06090 M6x90mm Connecting bolt x8	B  No. 3922-06014 M6 Ø10x14mm Barrel nut x8	C  No. 3901-45040 4,5x40mm Chipboard screw x4
D  No. 3930-10045 10x45mm Dowel x22	E  No. 3901-40030 4,0x30mm Chipboard screw x72	F  No. 3909-63050 6,3x50mm Assembly screw x8
G  No. 3939-00012-20 ø12x10mm Cover cap wood x3	H  No. 3938-00010-2 ø10mm Cover cap x10	J  No. 3909-63090 6,3x90mm Assembly screw x41
K  No. 3938-00007-2 ø7mm Cover cap x22	M  No. 3901-45060 4,5x60mm Chipboard screw x3	N  No. 3934-10088 ø10x88mm Connecting double bolt x4
L  No. 3938-000081-2 ø8mm Cover cap x8	O  No. 4008-022 70x40,5x20mm Angle x2	

Tools required

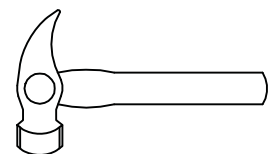
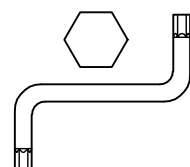
Phillips
screwdriver
(medium)



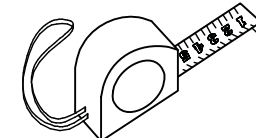
Flatblade
screwdriver
(medium)



Allen key
4mm incl.
No. 4033-004



Small
hammer



Ruler/tape
measure

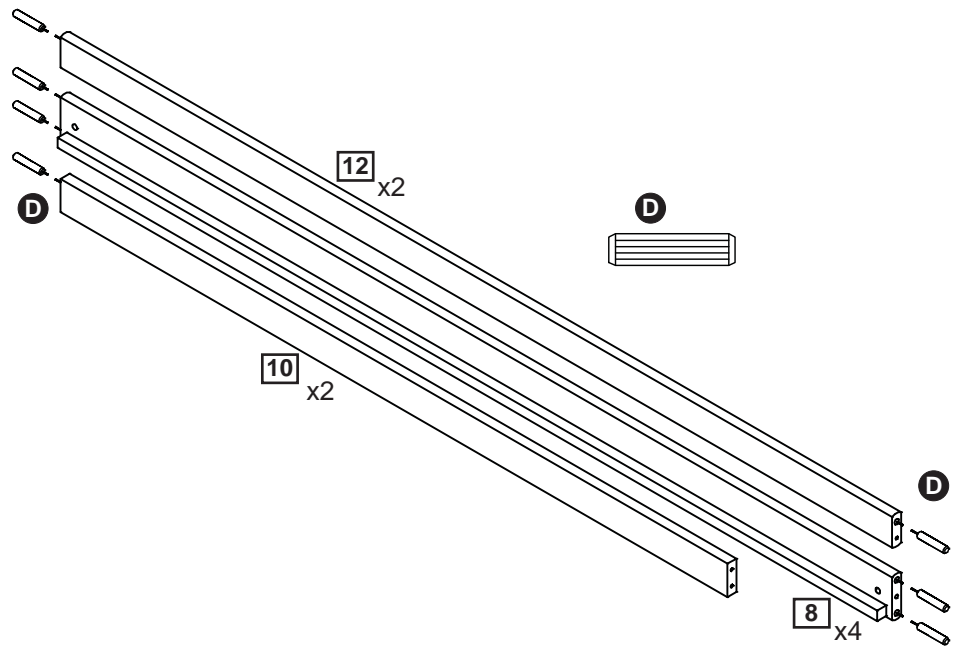
Assembly Instructions

Step 1

Insert dowels **D** to
bedsides **8** – and to all
the safety rails **10** and
12.

It may be necessary to
tap the dowel in very
gently with a small
hammer.

**Repeat same procedure
for all bedsides **8** and
all safety rails **10** and
12.**

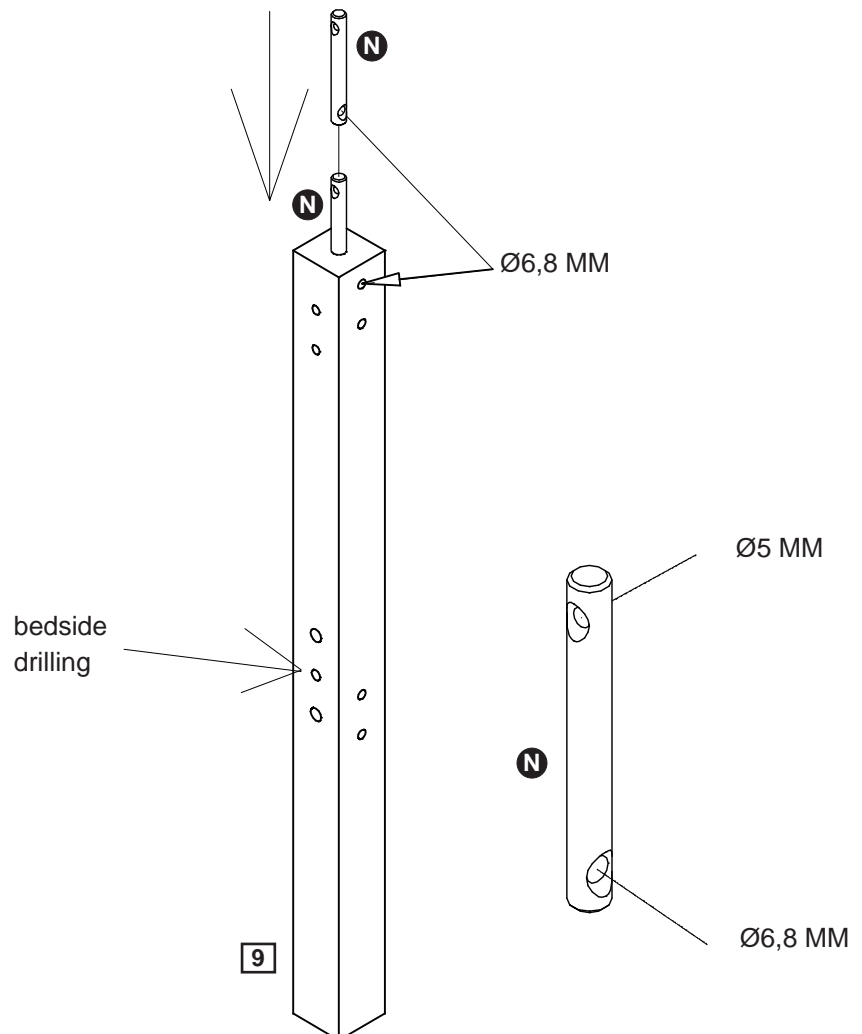


Step 2

Insert the connecting
double bolts **N** to all the
short legs **9**

Twist /turn the bolt to
follow the hole $\varnothing 6,8$ mm

Counter sunk 5 mm
hole should face same
direction as bedside
drilling



Assembly Instructions

Step 3

Attach leg **11** to endrails **5** and **7** with 4 screws **J** using the allen key

Attach leg **9** to endrails **5** and **7** with 4 screws **J** using the allen key

Repeat same procedure for both headboard and footboard

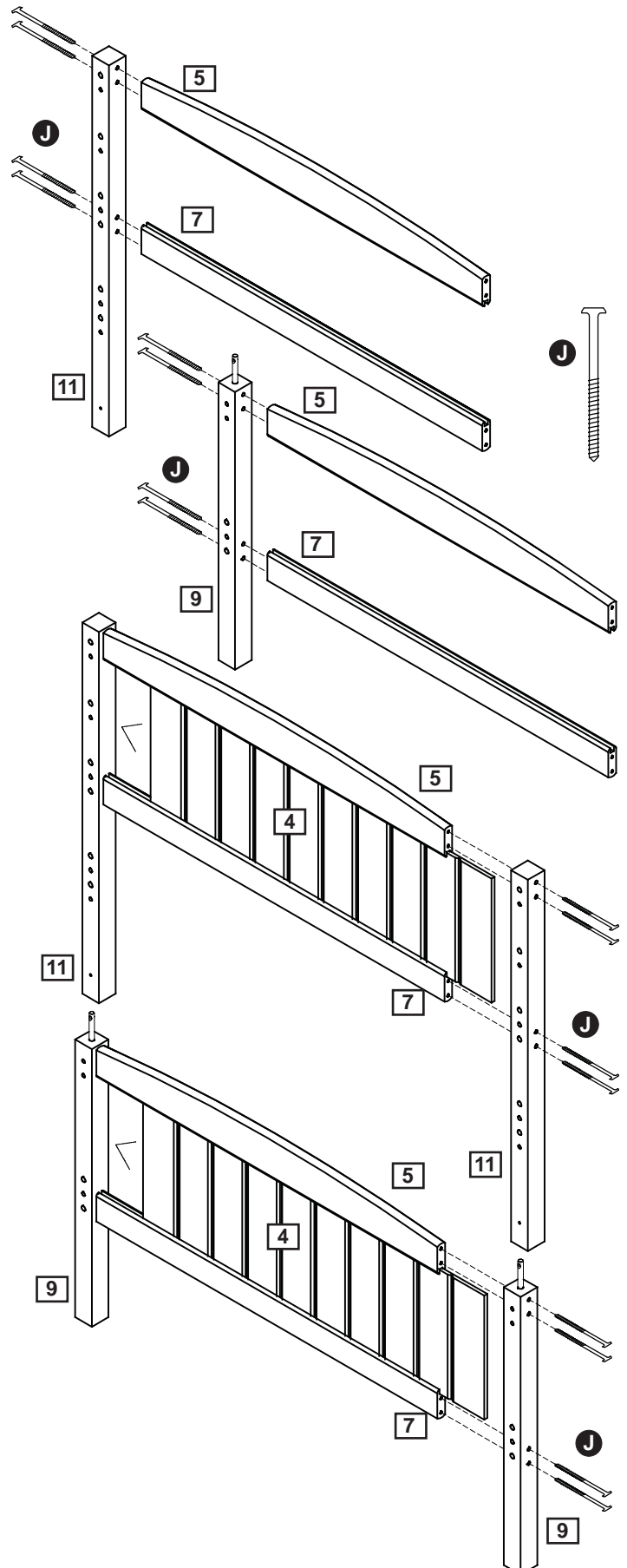
Step 4

During assembly of headboard and footboard, you must decide if the grooves in the MDF panels, should face in or out of the bed

Slide panel **4** between endrail **5** and **7**.

Attach legs **9/11** to endrails **5** and **7** with screws **J** using the allen key

Repeat same procedure for both headboard and footboard



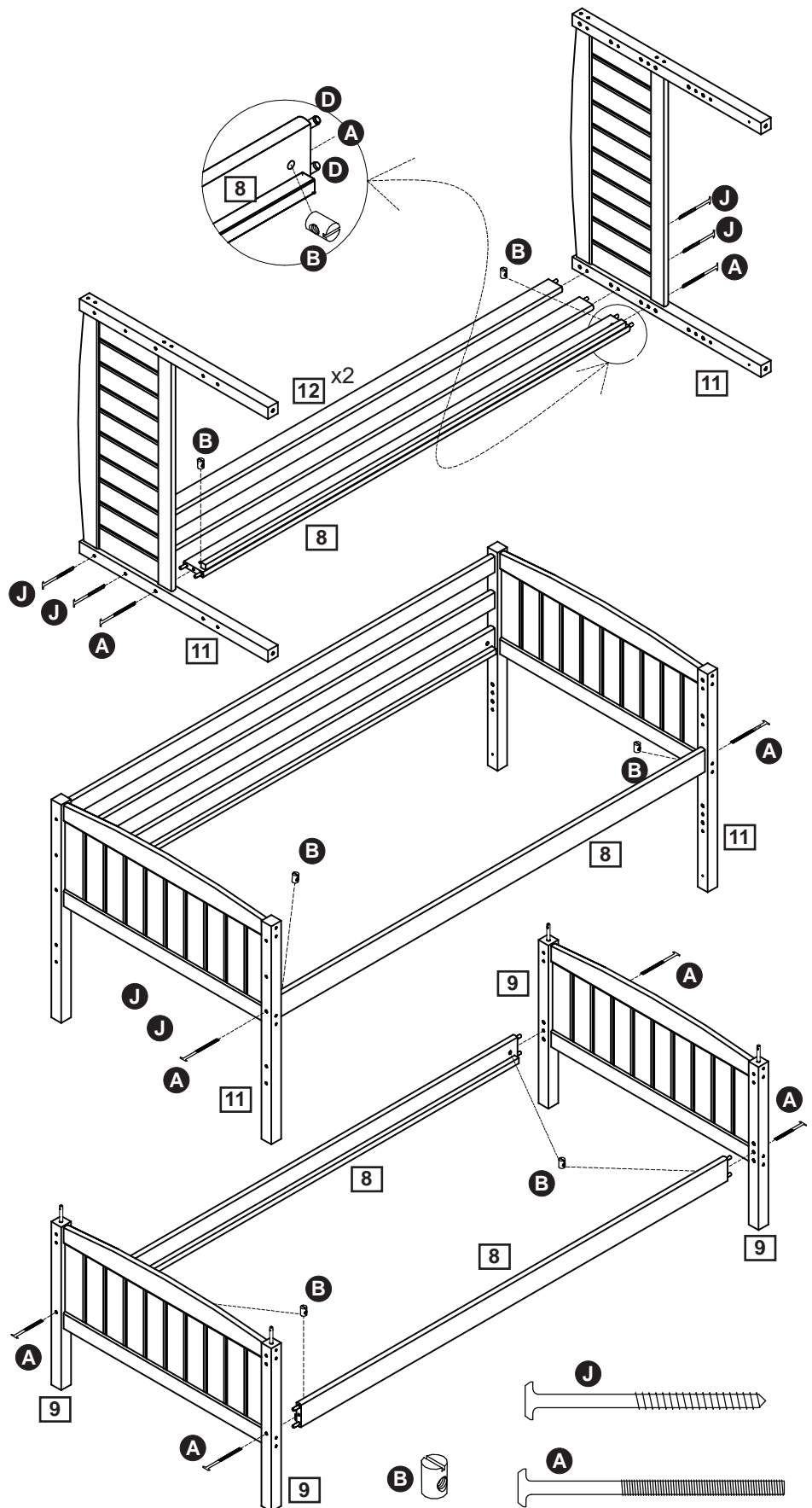
Assembly Instructions

Step 5

Attach bedside **8** and both safety rails **12** to the bed firstly by placing the dowels in holes in the legs.

Push barrel nuts **B** into the 2 small holes in bedside **8** push 1 connecting bolt **A** through each leg **11** to meet barrel nuts **B** and then fasten with the allen key.

Push 4 assembly screws **J** through legs **11** to meet the safety rails **12** and then fasten with the allen key.



Step 6

Attach bedside **8** to the bed firstly by placing the dowels in the holes in the legs.

Push 2 barrel nuts **B** into the small holes in bedside **8** push 1 connecting bolt **A** through each leg **11** to meet barrel nuts **B** then fasten with the allen key.

Step 7

Attach bedside **8** to the bed firstly by placing the dowels in the holes in the leg.

Push 2 barrel nuts **B** into the small holes in bedside **8** push one connecting bolt **A** through each leg **9** to meet barrel nuts **B** and then fasten with the allen key.

Assembly Instructions

Step 8

Attach the 2 beds by putting the one bed (with legs **11**) in top of the other bed.

Attach the connecting double bolt **N** in legs **9** with the upper bed by screws **C** through legs **11**

Step 9

Push 2 assembly screws **J** through the leg **11** to meet the safety rails **10** and then fasten with the allen key.

Ladder can be positioned left or right !

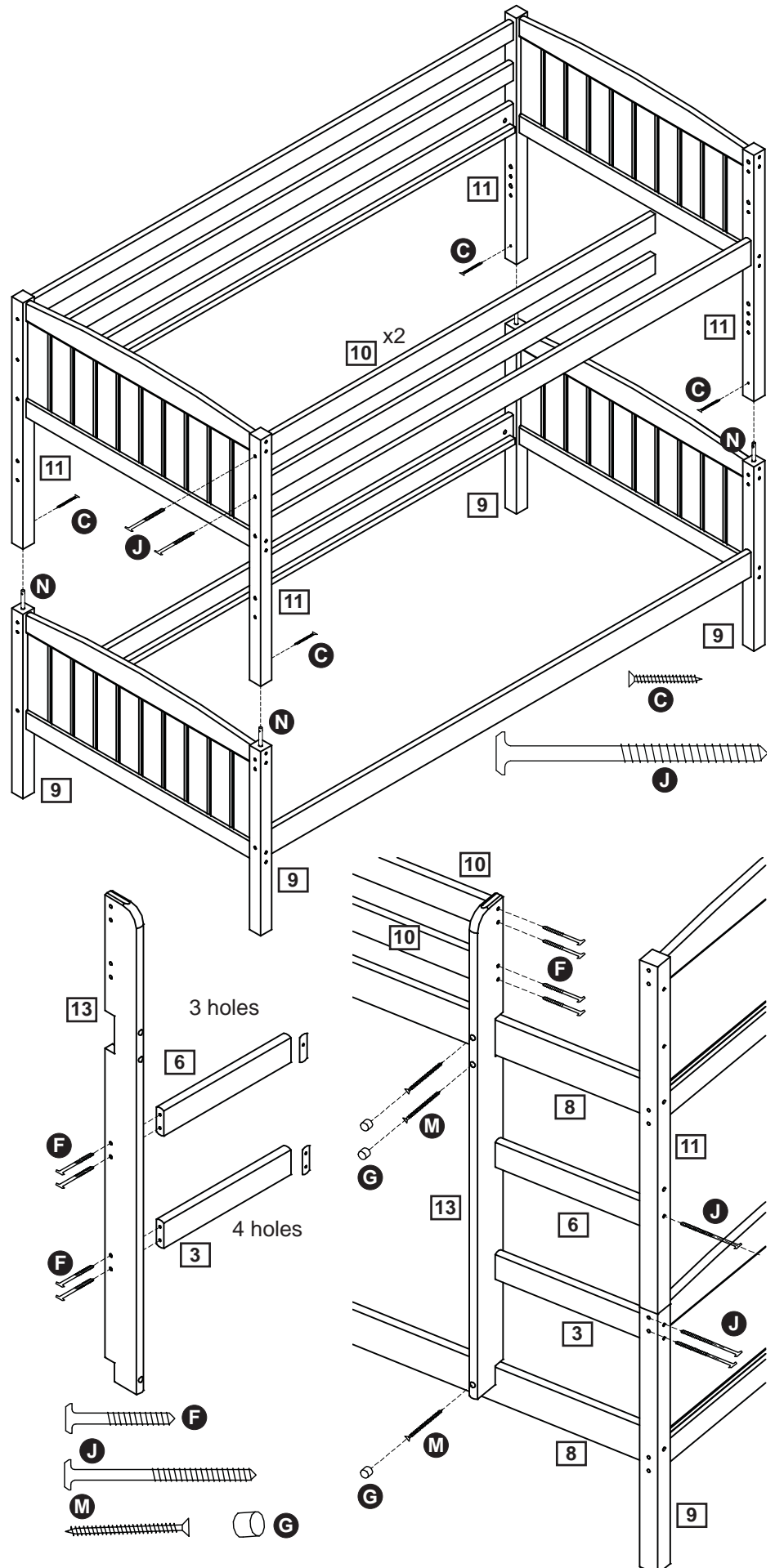
Step 10

Attach the tread **3** and **6** to the ladderside **13** with the screws **F**

Attach the treads **3** and **6** to the leg **9** and **11** with screws **J**

Attach the ladderside **13** with the safety rails **10** with screws **F**

Attach the ladderside **13** with the bedsides **8** with screws **M**. Insert cover caps **G** in the holes.



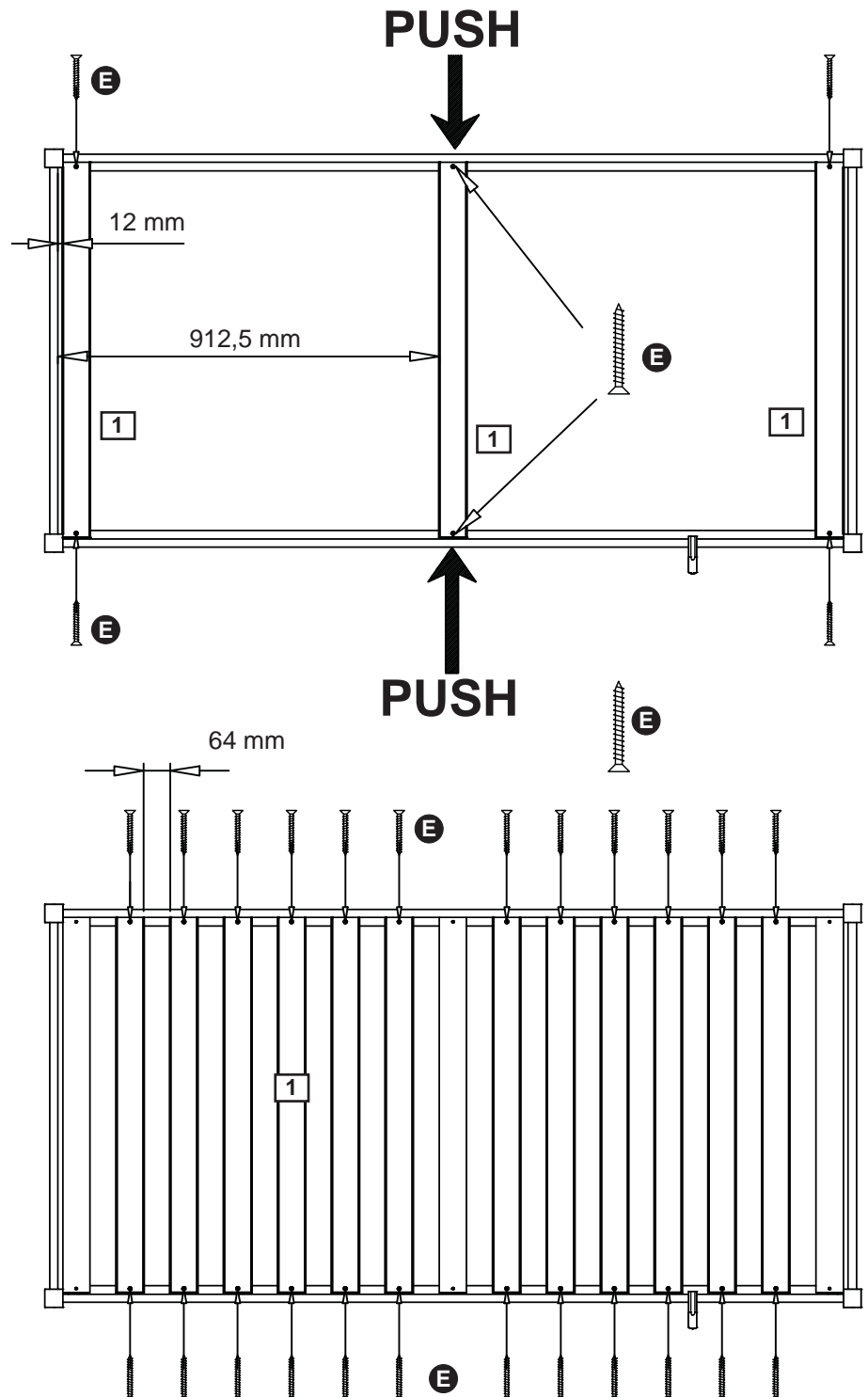
Assembly Instructions

Step 11

Place 1 slat **1** (No.8) in the bed, follow the measurement.

Push the bed sides **8** together when attaching the slat **1** to the bed with 2 screws **E**. Position the remaining 14 slats **1** in the bed with a distance of 64 mm between each.

Fasten each slat with 2 x screws **E**



Assembly Instructions

Step 12

Attach the safety list **2** inside the bed, on the front safety rails **10**. Should be in the center of the front guards between the slats.

Attach it **2** to the safety rails **10** and bedside **8** with chipboard screws **E**

Follow the measurement.

Attach the safety list **2** on the outside of the bed, on the back safety rails **12**. Should be in the center of the back guards.

Attach it **2** to the safety rails **12** and bedside **8** with chipboard screws **E**

Follow the measurement.

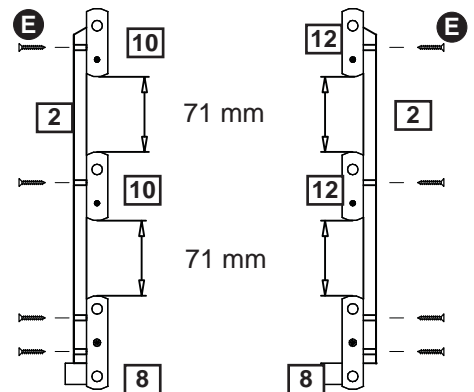
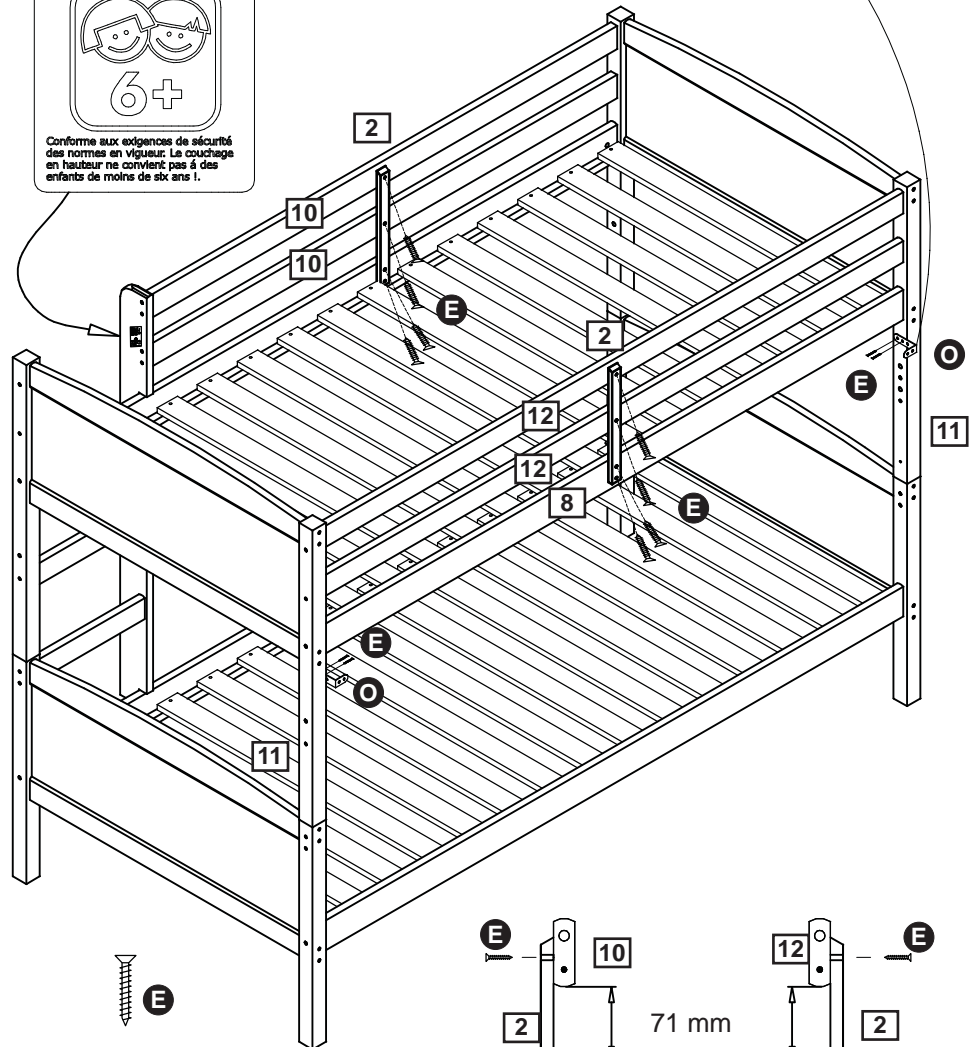
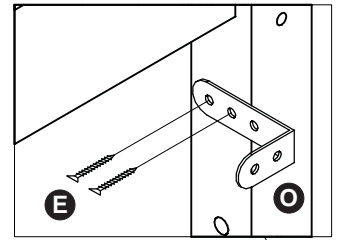
Attach wall mounting brackets **O** to legs **11** with screws **E**.

Max. mattress height !

Assembly is complete.



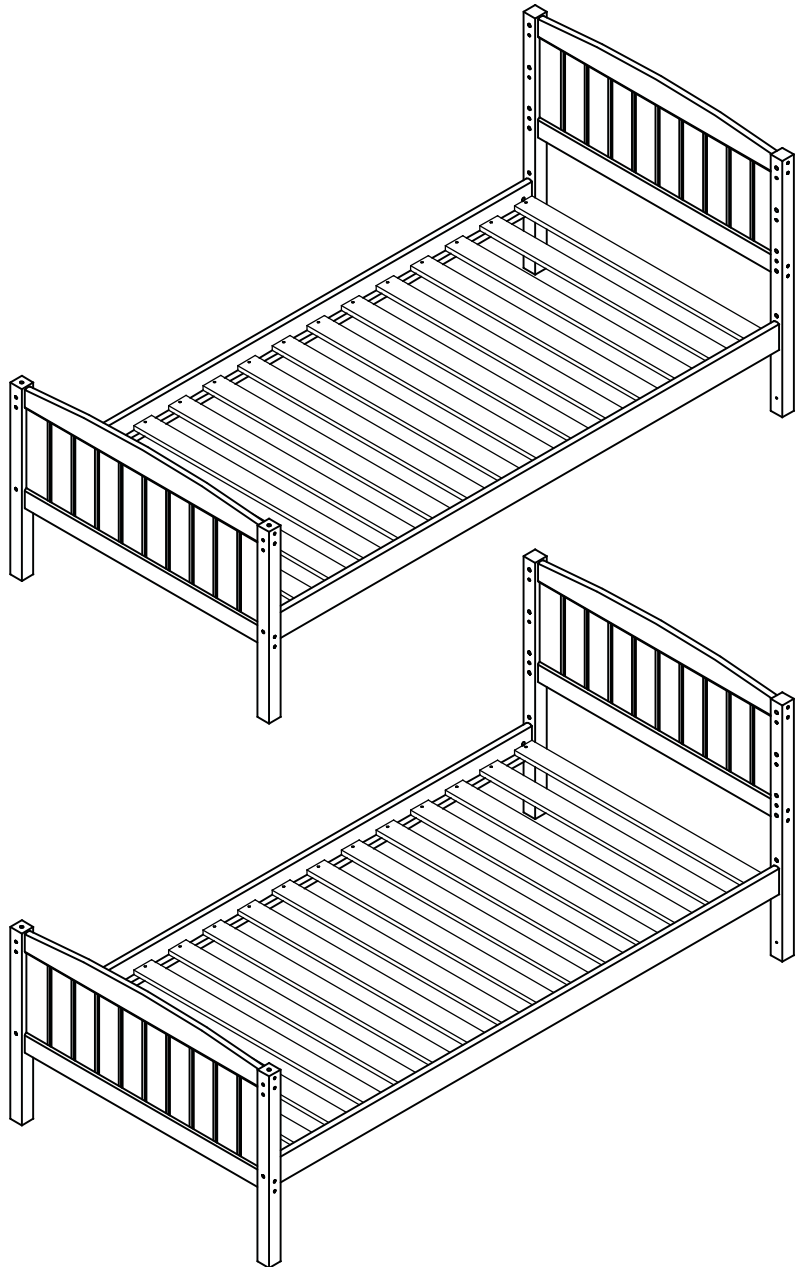
Max mattress height !



Assembly Instructions

Note: To achieve the single bed look shown on the picture, one end of the upper bunk (assembled parts **4**, **5**, **7** and **11**) should be swapped over with the lower bunk (assembled parts **4**, **5**, **7** and **9**).

Bunkbed as 2 single beds



If you need help or have damaged or missing parts, call the **Customer Helpline: 0045 7668 8055**
E-mail: order@flexa.dk