

# Nordic - 4x2 Drawer Chest

Assembly Instructions - Please keep for future reference

1452877



## Dimensions

Width : 83,5 cm

Depth : 39,7 cm

Height : 88,2 cm

**Important - Please read these instructions fully before starting assembly**

If you need help or have damaged or missing parts, call the Customer Helpline: 0845 640 30 30



# Safety and Care Advice

**Important - Please read these instructions fully before starting assembly**

- Check you have all the components and tools listed on pages 3 and 4.
- Remove all fittings from the plastic bags and separate them into their groups.
- Keep children and animals away from the work area, small parts could choke if swallowed.
- Make sure you have enough space to layout the parts before starting.

- Do not stand or put weight on the product, this could cause damage.
- Assemble the item as close to its final position (in the same room) as possible.
- Assemble on a soft level surface to avoid damaging the unit or your floor.
- Parts of the assembly will be easier with 2 people.



- We do not recommend the use of power drill/drivers **for inserting screws**, as this could damage the unit. Only use hand screwdrivers.
- Dispose of all packaging carefully and responsibly.

## Care and maintenance

- Only clean using a damp cloth and mild detergent, do not use bleach or abrasive cleaners.
- From time to time check that there are no loose screws on this unit.
- This product should not be discarded with household waste. Take to your local authority waste disposal centre.

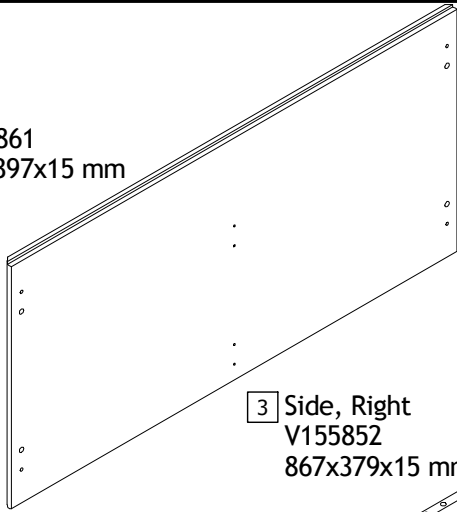
**Note:** if required the next page can be cut out and used as reference throughout the assembly. Keep this page with these instructions for future reference.

# Components - Panels

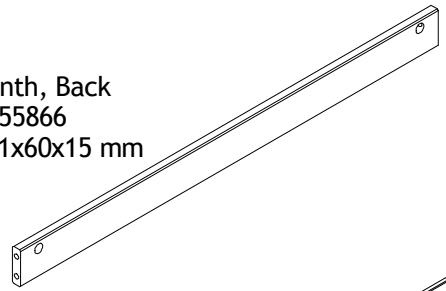
If you have damaged or missing components, call the **Argos Customer Helpline: 0845 640 30 30**

Please check you have all the panels listed below

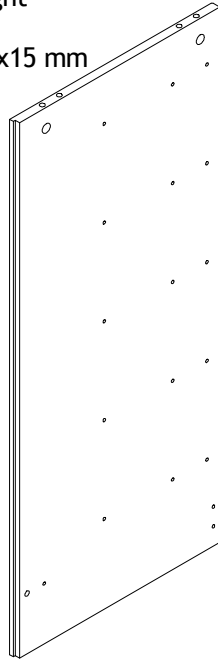
1 Top  
V155861  
835x397x15 mm



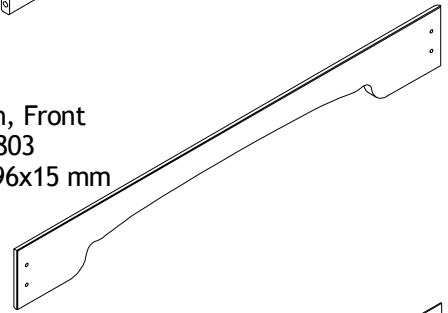
4 Plinth, Back  
P155866  
781x60x15 mm



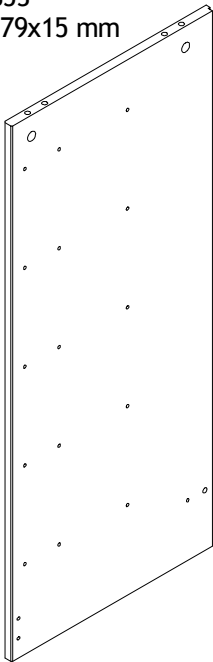
3 Side, Right  
V155852  
867x379x15 mm



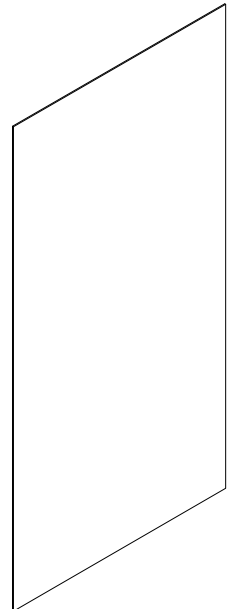
5 Plinth, Front  
V155803  
793x96x15 mm



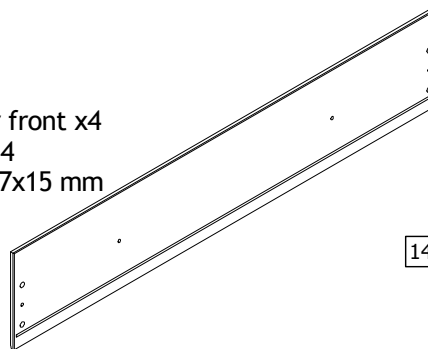
2 Side, Left  
V155853  
867x379x15 mm



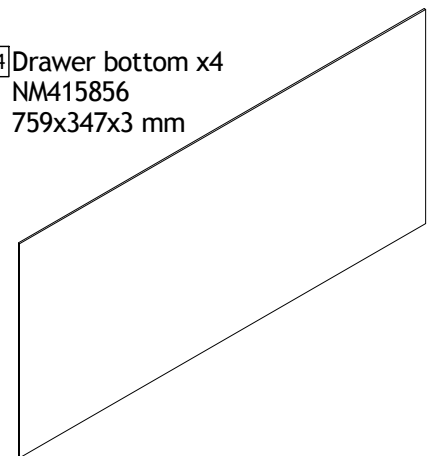
7 Back x2  
NM415857  
784x397x3 mm



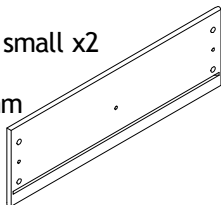
9 Drawer front x4  
V155814  
793x157x15 mm



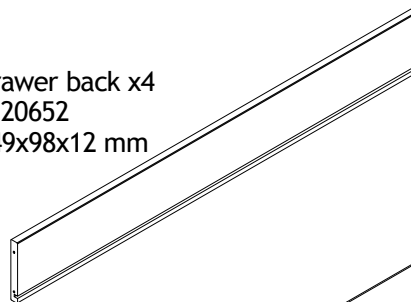
14 Drawer bottom x4  
NM415856  
759x347x3 mm



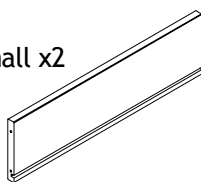
8 Drawer front, small x2  
V155810  
395x125x15 mm



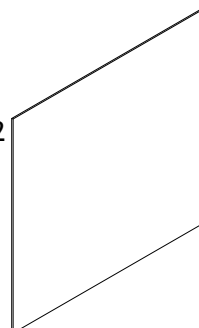
11 Drawer back x4  
S120652  
749x98x12 mm



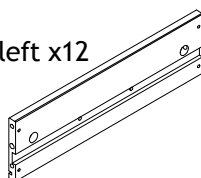
10 Drawer back, small x2  
S120650  
351x98x12 mm



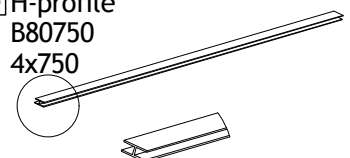
13 Drawer bottom x2  
NM415850  
361x347x3 mm



12 Drawer side, right/left x12  
S120653  
350x98x12 mm



15 H-profile  
B80750  
4x750

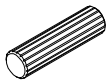
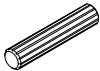
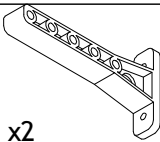


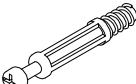
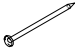
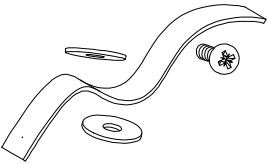
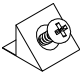
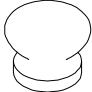

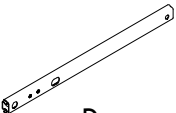




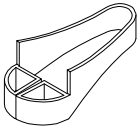


# Components - Fittings

If you have damaged or missing components, call the **Argos Customer Helpline: 0845 640 30 30**

Please check you have all the panels listed below

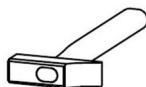
**Note:** The quantities below are the correct amount to complete the assembly. In some cases more fittings may be supplied than are required.

|  |  |  |
|--|--|--|
| <p><b>A</b></p>  <p>BA10390<br/>ø8x30 mm Wooden dowel x6</p>  | <p><b>B</b></p>  <p>BA10400<br/>ø6x30 mm Wooden dowel x24</p>     | <p><b>L</b></p>  <p>B561300<br/>Drawer support x2</p>                     |
| <p><b>R</b></p>  <p>BA10170<br/>ø4,0x35 mm x34</p>            | <p><b>C</b></p>  <p>BA10590<br/>ø15x9,5 mm Cam x18</p>            | <p><b>D</b></p>  <p>BA10603<br/>ø5/11x34 mm Bolt x18</p>                  |
| <p><b>i</b></p>  <p>BA10025<br/>ø1,2x20 mm Nail x50</p>       | <p><b>J</b></p>  <p>BA182002<br/>Wallstrap and instruction x1</p> | <p><b>F</b></p>  <p>BA10833<br/>Back fitting W. 15x15x10 mm screw x12</p> |
| <p><b>G</b></p>  <p>BA10468<br/>ø40x30 mm Wooden knob x10</p> | <p><b>H</b></p>  <p>BA10191<br/>M4x9 mm screw x12</p>           | <p><b>S</b></p>  <p>B14359<br/>17x246 mm Drawer runner x12</p>           |
| <p><b>K</b></p>  <p>BA10270<br/>ø5,8x8 mm screw x34</p>     | <p><b>E</b></p>  <p>BA10240<br/>ø6,1x11,5 mm screw x8</p>       | <p><b>T</b></p>  <p>BA10154<br/>4,0x16 mm screw x4</p>                  |
| <p><b>V</b></p>  <p>BA10801<br/>Angle20x20x2 x4</p>         | <p><b>Y</b></p>  <p>Ba10688<br/>Nail holder x1</p>              |  |

## Tools required



Flatblade screwdriver  
(Medium)



Hammer



Phillips screwdriver  
(Medium & large)

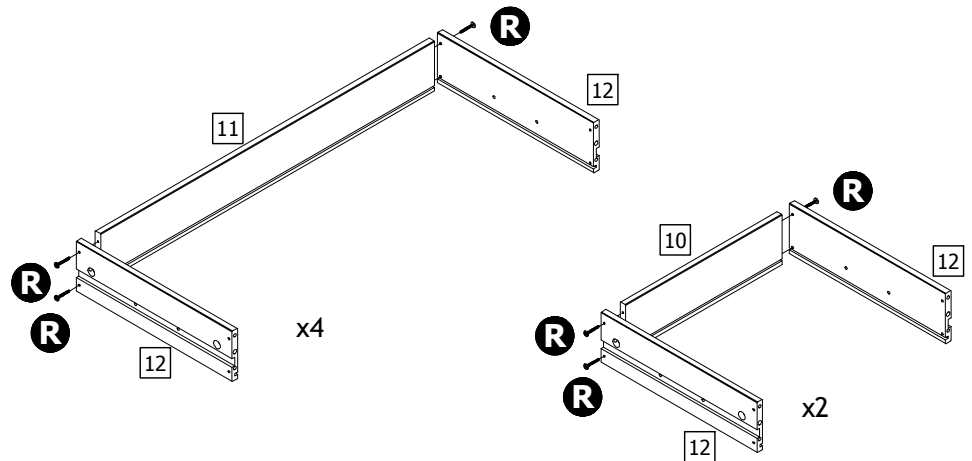
Ruler - Use this ruler to help correctly identify the screws



# Assembly Instructions

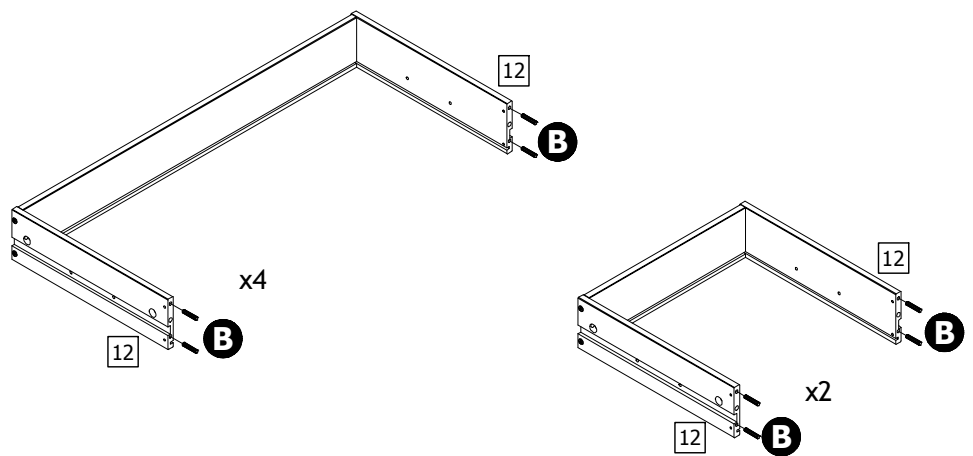
## Step 1

Fix the drawer sides 12 to the drawer backs 10 and 11 as shown, using screws R.



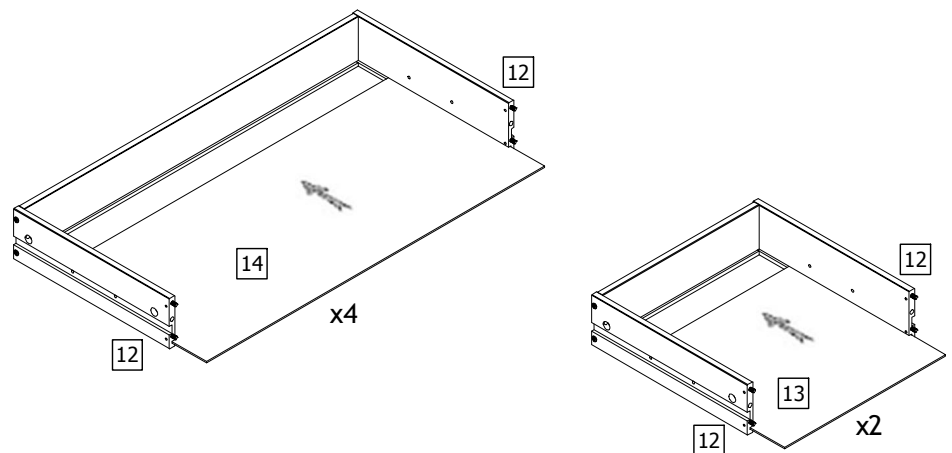
## Step 2

Knock the dowels B into the holes indicated on the drawer sides 12 using a small hammer.



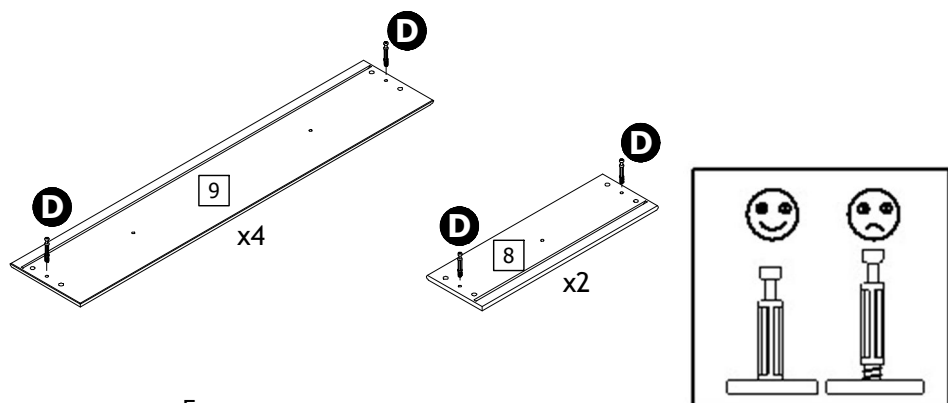
## Step 3

Slide the drawer bottoms 13 and 14 into the drawer sides 12.



## Step 4

screw the bolts D into the holes indicated on the drawer fronts 8 and 9.



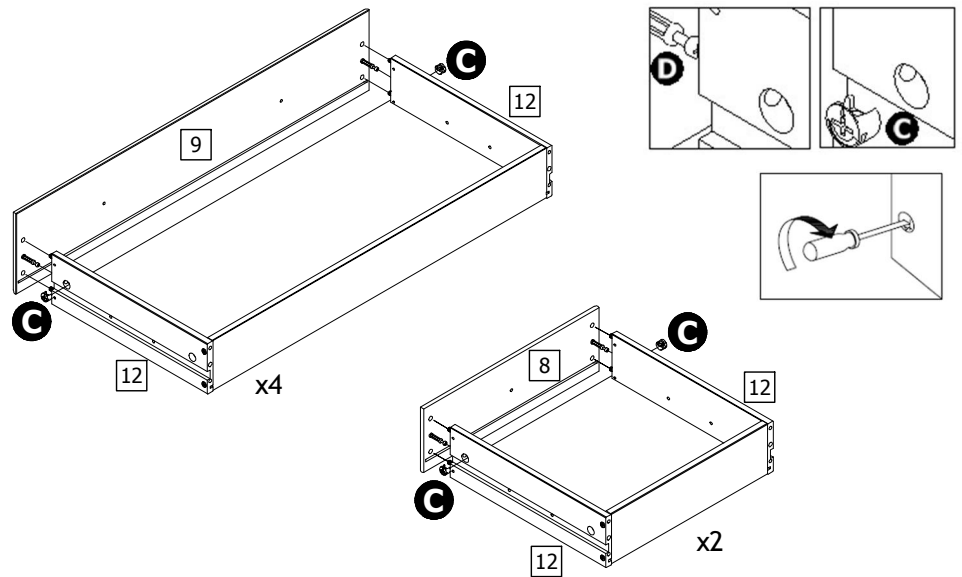
# Assembly Instructions

## Step 5

Push the drawer fronts 8 and 9 onto the drawer sides 12 as shown.

Push the cams C into the holes indicated. Arrow pointing towards the front.

Turn the cams C to the right to fix the fronts 8 and 9.



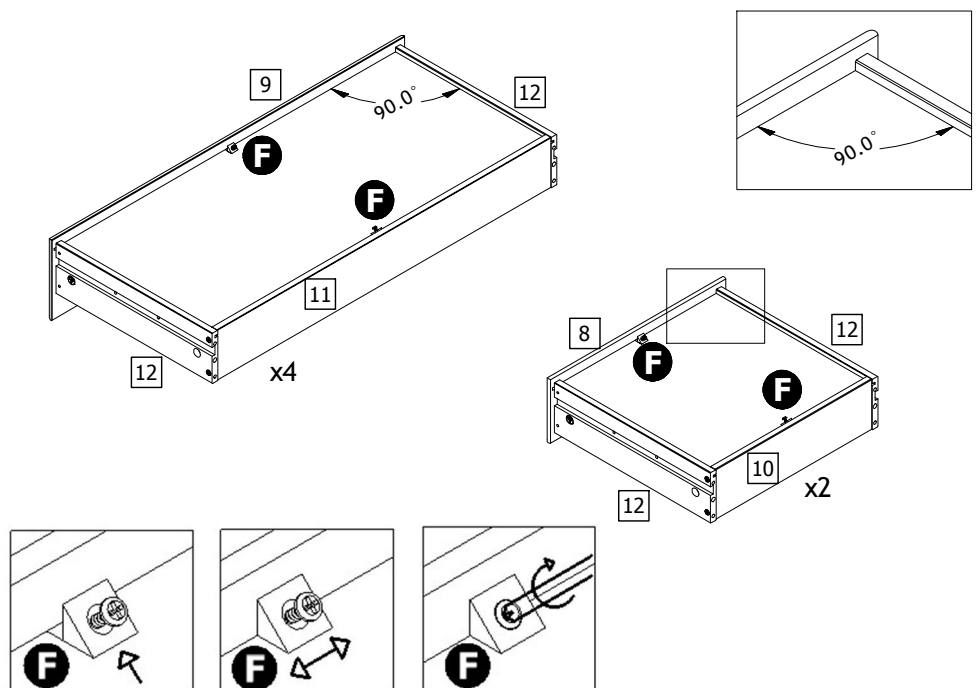
## Step 6



**Important!** Make sure the angle between the drawer fronts 8 and 9 and the drawer sides 12 is  $90^\circ$  before the drawer bottoms 13 and 14 is fixed.

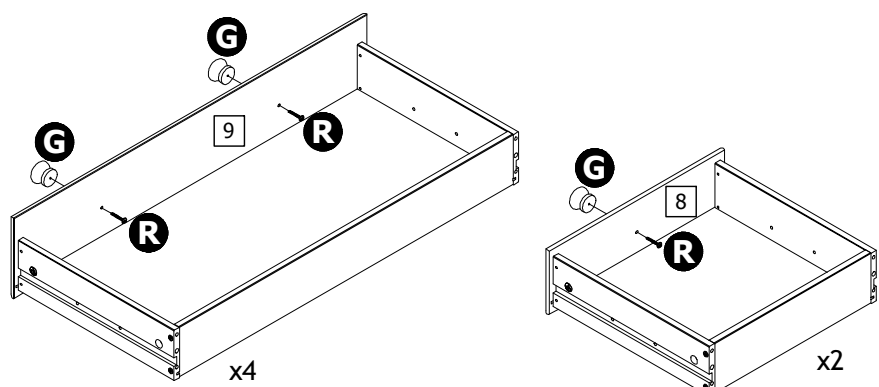
Fix the drawer bottoms 13 and 14 to the drawer backs 10 and 11 and the drawer fronts 8 and 9 using F.

To adjust the angle between the drawer sides and the drawer fronts push the fitting F sideways. See details.



## Step 7

Fix the Wooden knobs G to the drawer fronts 8 and 9 using screws R.



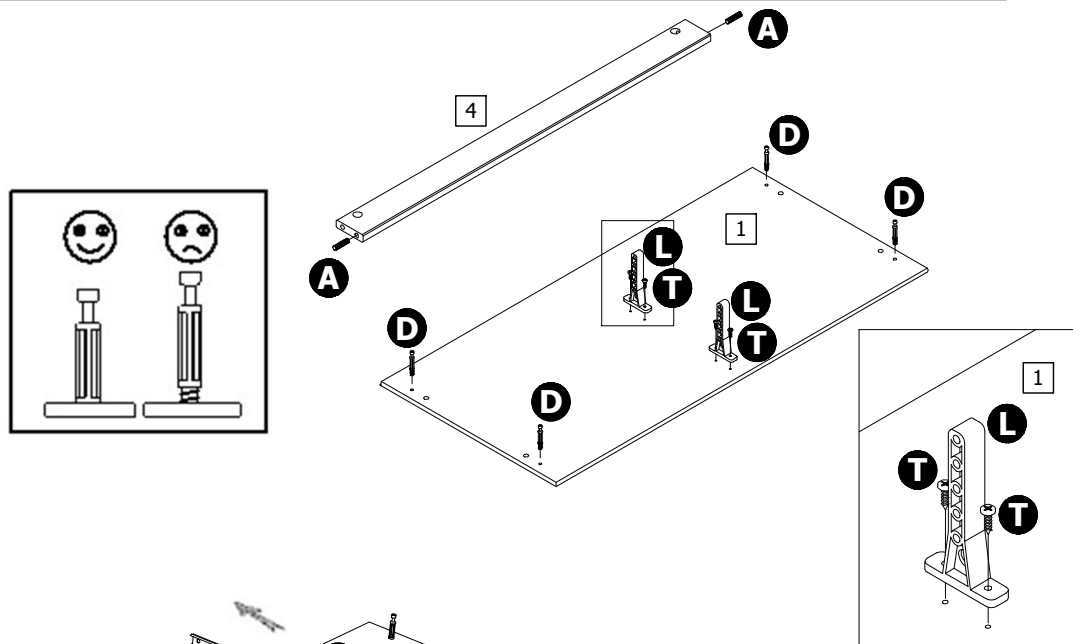
# Assembly Instructions

## Step 8

Knock down the dowels A into the holes indicated on the back plinth 4, using a small hammer.

Screw the bolts D into the holes indicated on top 1.

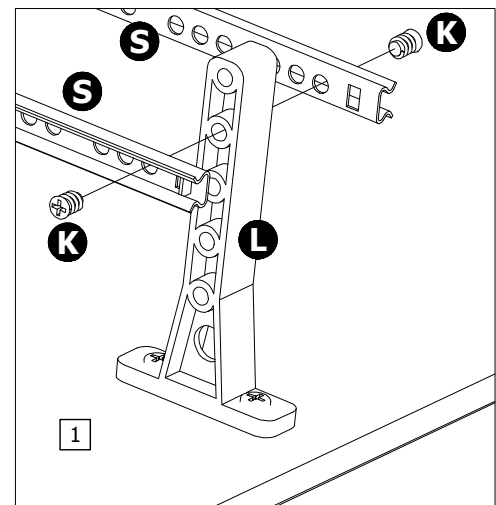
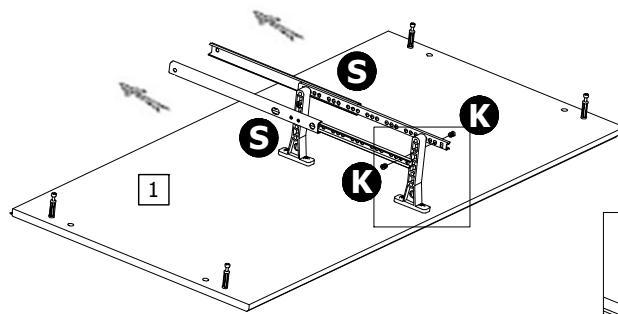
Fit the drawer support L to the top 1 using screws T through the holes indicated. See details.



## Step 9

Slide the top of the drawer runners S backwards.

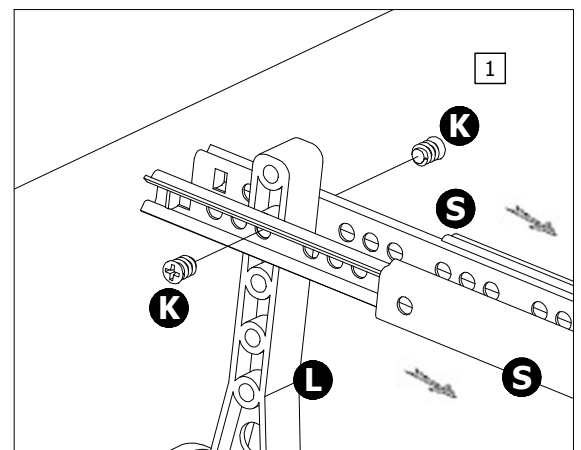
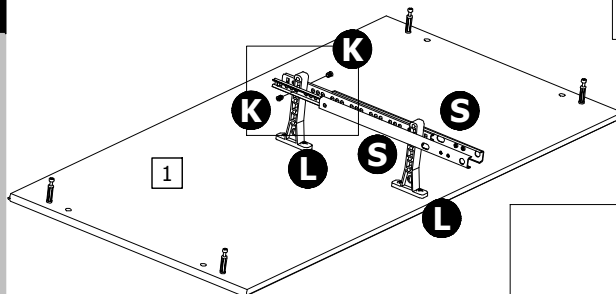
Fix the front end of the drawer runners S (on both sides) to the drawer support L into the hole indicated, using screws K.



## Step 10

Slide the drawer runners S forwards.

Fix the back end of the drawer runners S (on both sides) to the drawer support into the hole indicated, using screw K. See details.



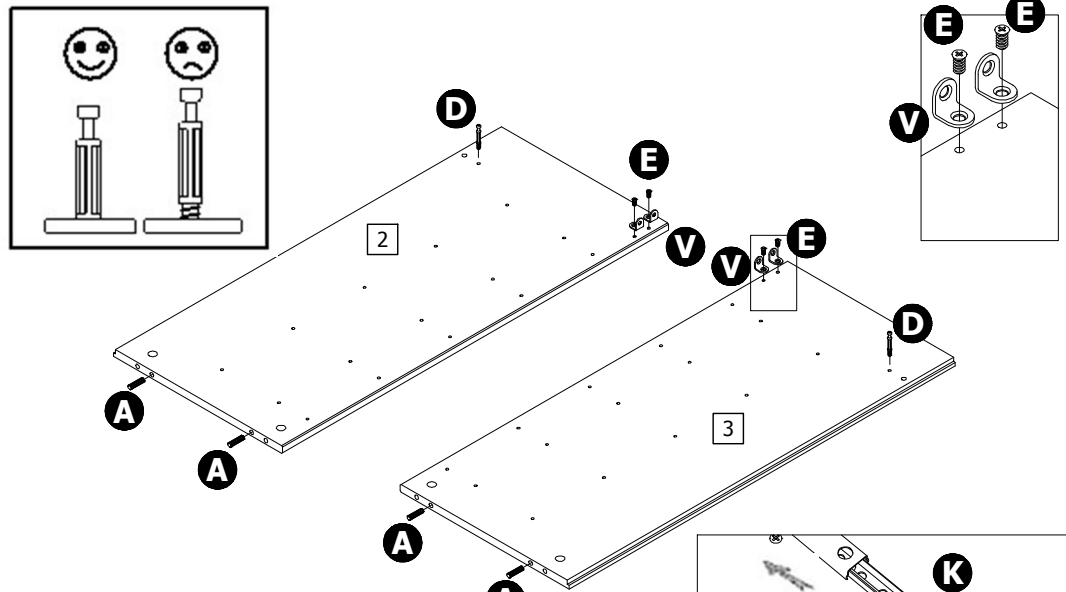
# Assembly Instructions

## Step 11

Screw the bolts D into the holes indicated on the sides 2 and 3.

Fix the angle V to the sides 2 and 3 using screws E. Place the angles as shown. See details.

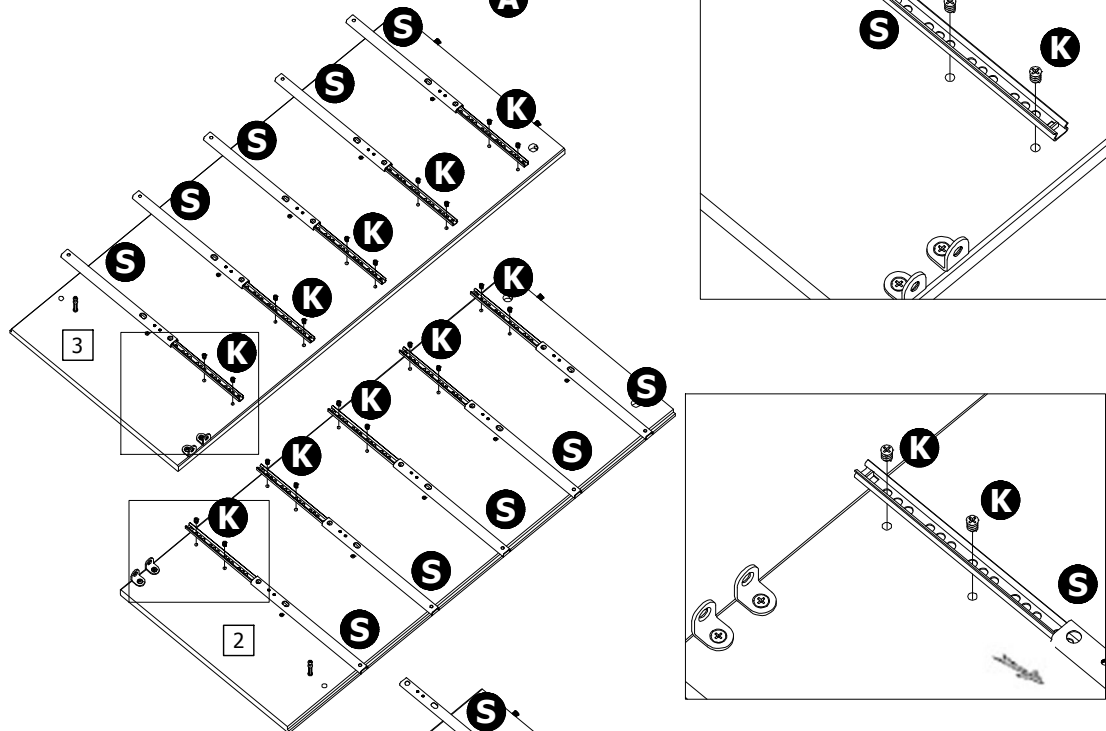
Knock down the dowels A into the holes indicated on the sides 2 and 3 using a small hammer.



## Step 12

Slide the top of the drawer runners S backwards.

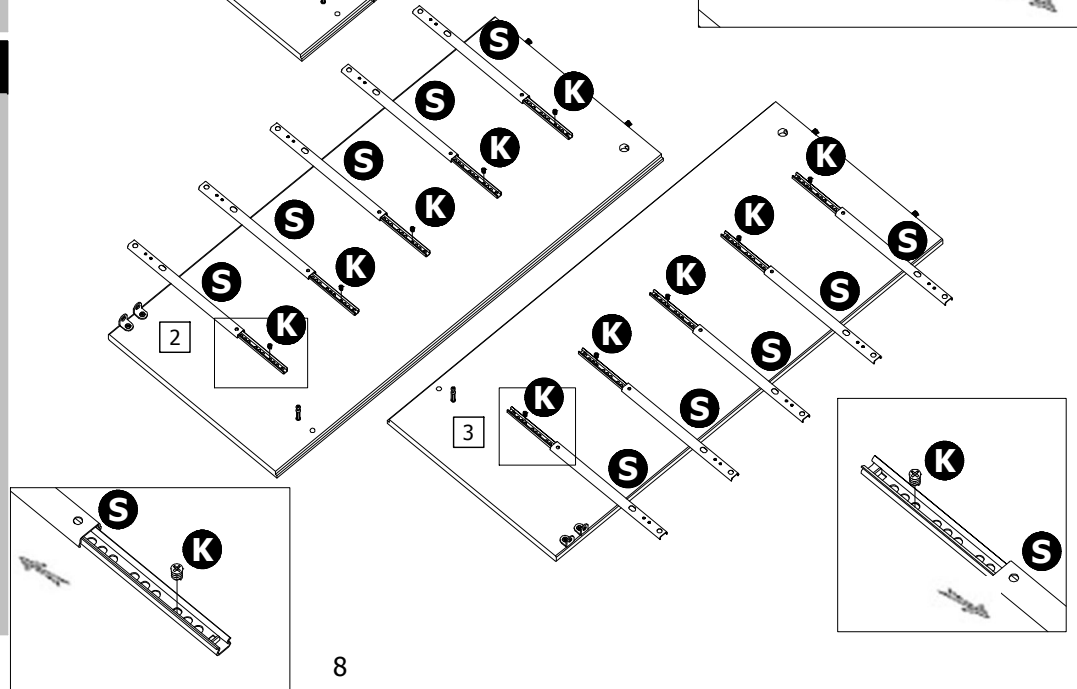
Fix the front end of the drawer runners S to the sides 2 and 3 using screws K through the holes indicated. See details.



## Step 13

Slide the top of the drawer runners S forwards.

Fix the backend of the drawer runners S to the sides 2 and 3 using screws K through the holes indicated. See details.





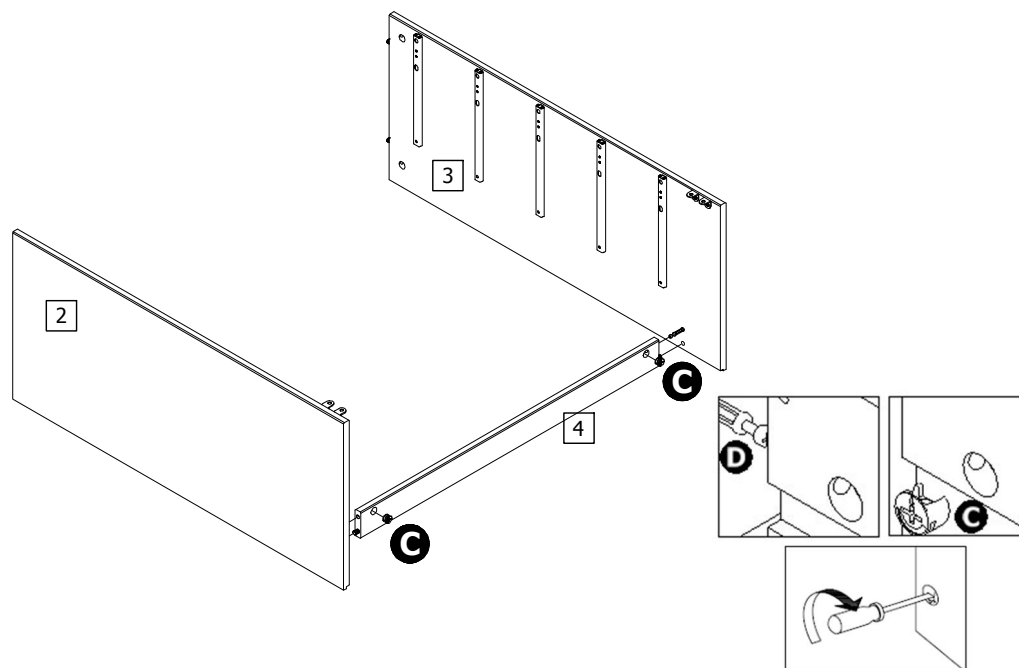
# Assembly Instructions

## Step 14

Fix the back plinth 4 to the sides 2 and 3.

Push cams C into the holes indicated on the back plinth 4.  
Arrow pointing towards sides 2 and 3.

Turn the cams C to the right to fix the sides 2 and 3.

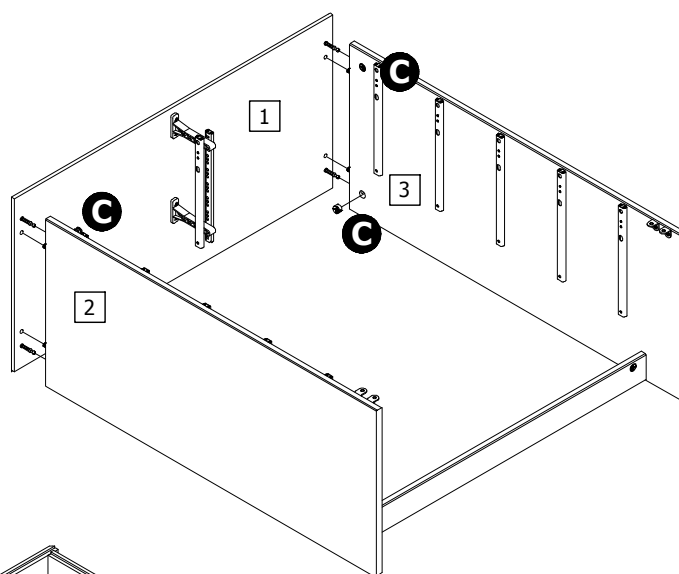


## Step 15

Press the top 1 onto the sides 2 and 3.

Push cams C into the holes indicated on the sides 2 and 3.  
Arrow pointing towards the top 1.

Turn the cams C to the right to fix the top 1.

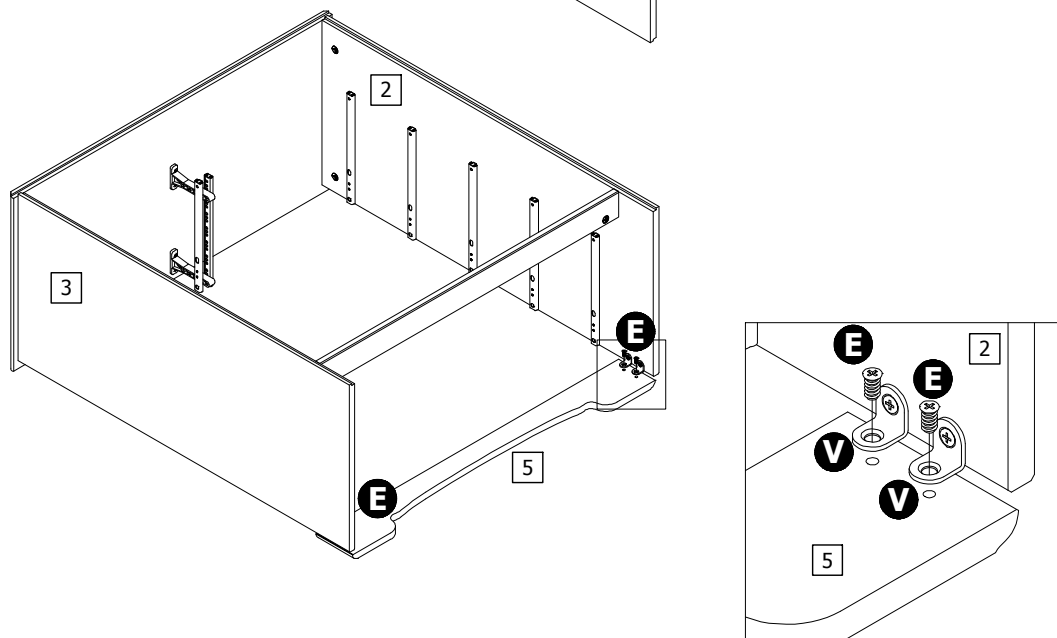


## Step 16

Turn around the chest so that it lies its front edge.

Place the front plinth 5 as shown.


Fix the front plinth 5 to the sides 2 and 3 using screws E into the angles V.  
See details.



# Assembly Instructions

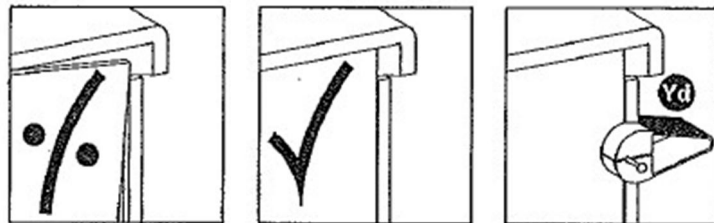
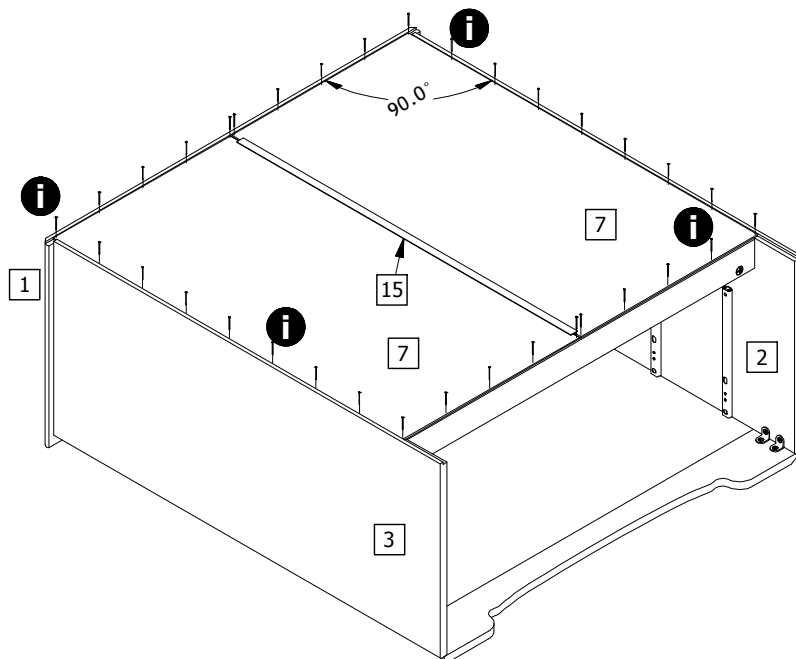
## Step 17

Place the backs 7 into the rebates in the top 1, the sides 2 and 3 and into the H profile 15.


 **Important!** Make sure the angle between the top and the sides is 90° when the back is attached.

Fix the backs to the sides, top and bottom using nails i.

Use the nail holder Yd and a small hammer.

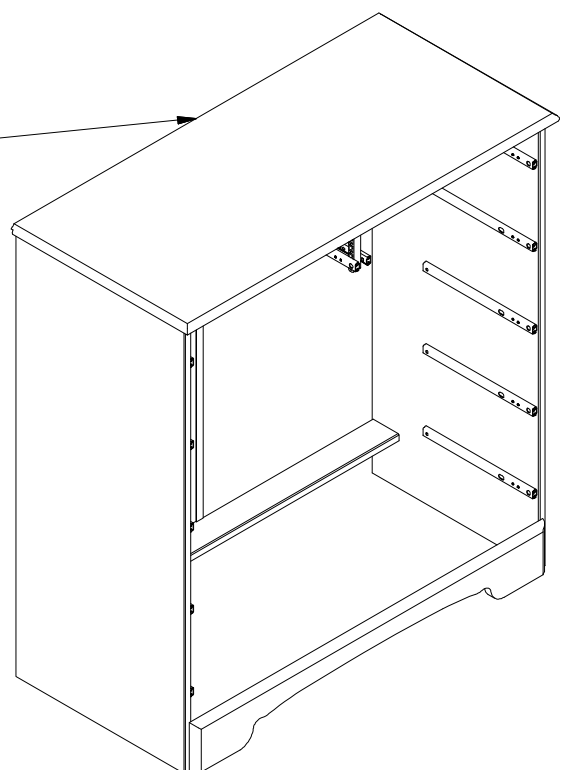
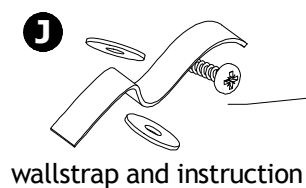


## Step 18

 **Warning!** The chest of drawer is heavy. Lift with care

It's recommended that the chest is fixed to the wall.

Use the fittings J. Follow the instructions included with the fittings.



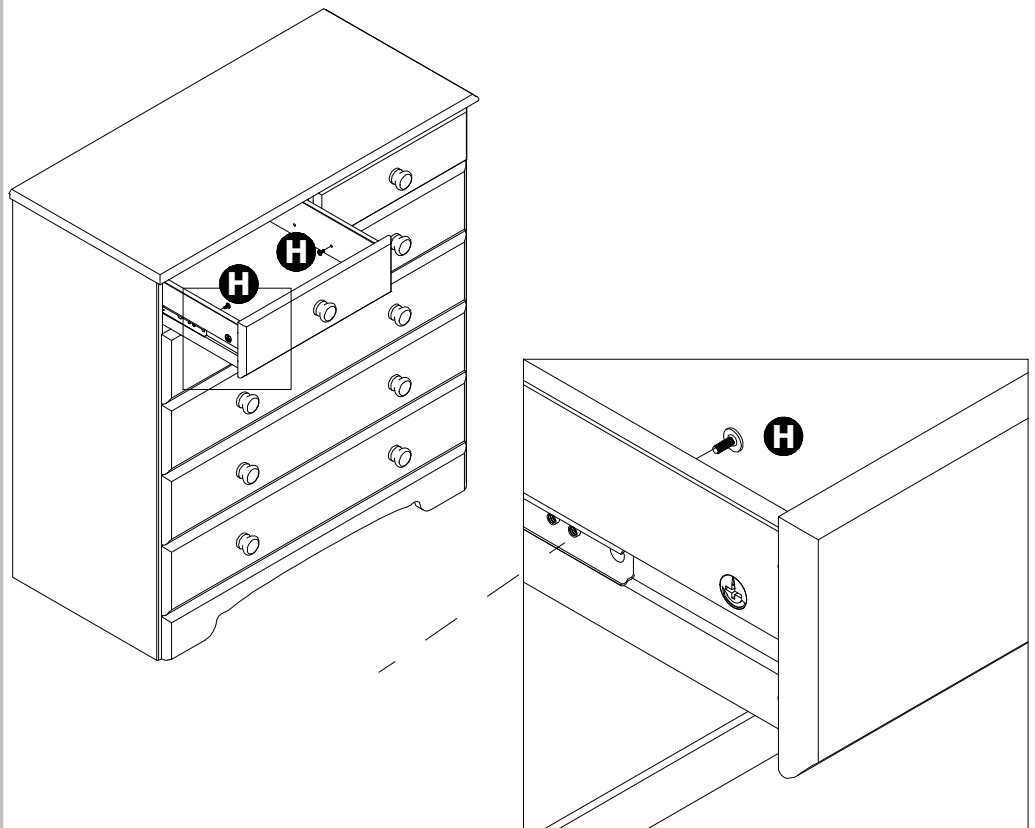
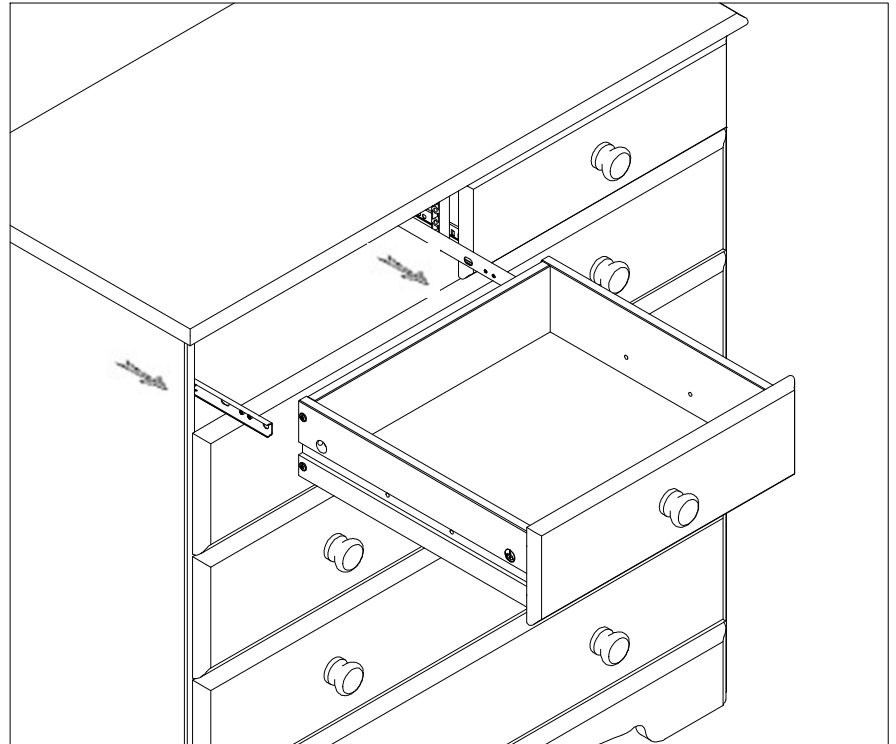
# Assembly Instructions

## Step 19

Pull out the drawer runners. Slide the drawers onto the drawer runners.

Fit and fix the lower drawer first and work your way up.

Fix drawers to drawer runners using screws H.



If you need help or have damaged or missing parts, **call the Customer Helpline: 0845 640 30 30**  
Home Retail Group - 489-499 Avebury Boulevard - Saxon Gate West - Central Milton Keynes MK9 2NW