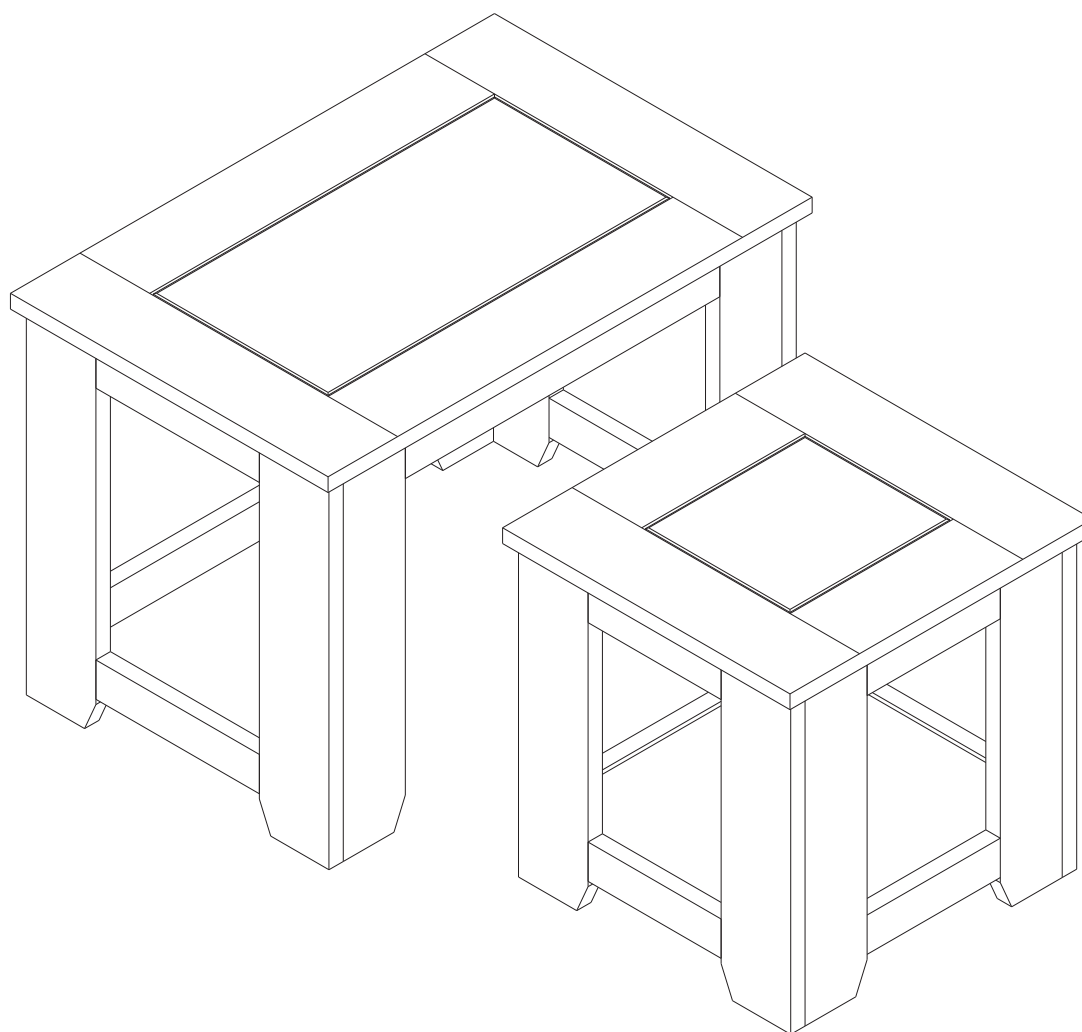


Penton - Nest Tables

Assembly Instructions - Please keep for future reference

609/7110

609/7127



Dimensions

Width - 64cm

Depth - 42cm

Height - 46cm

Important – Please read these instructions fully before starting assembly

If you need help or have damaged or missing parts, call the **Customer Helpline: 08456 400 800**



Safety and Care Advice

Important – Please read these instructions fully before starting assembly

- Check you have all the components and tools listed on pages 2 and 3.
- Remove all fittings from the plastic bags and separate them into their groups.
- Keep children and animals away from the work area, small parts could choke if swallowed.
- Make sure you have enough space to layout the parts before starting.
- Do not stand or put weight on the product, this could cause damage.
- Assemble the item as close to its final position (in the same room) as possible.
- Assemble on a soft level surface to avoid damaging the unit or your floor.

• This product has been produced from natural timber; you may notice some variation in the grain and colour of different component parts which is normal for furniture produced using natural wood and is not the result of any manufacturing fault.

• The product has been treated with a wax and oil finish to prevent dirt ingress and preserve moisture.

• On unpacking the furniture you may notice an odour due to this treatment; this will disappear once the furniture is unpacked and assembled after a period of time.

• This process may leave some staining on the packaging material; please take care to ensure this does not transfer to clothing or carpeted surfaces during assembly.



as this could damage the unit. Only use hand screwdrivers.

• We do not recommend the use of power drill/drivers **for inserting screws**,

• Parts of the assembly will be easier with 2 people.

• Dispose of all packaging carefully and responsibly.

Care and maintenance

- Use an appropriate furniture polish for natural wood furniture and a dry cloth to clean the product.
- Avoid placing the furniture in direct sunlight as this will cause the timber to prematurely age.

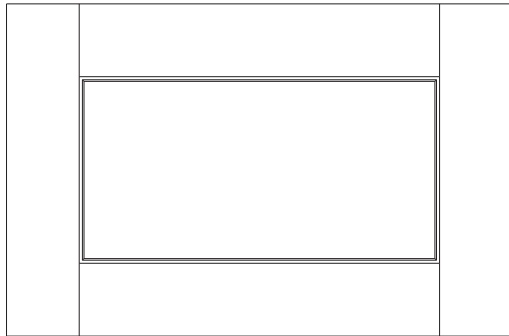
• From time to time check that there are no loose screws on this unit.

• This product should not be discarded with household waste. Take to your local authority waste disposal centre.

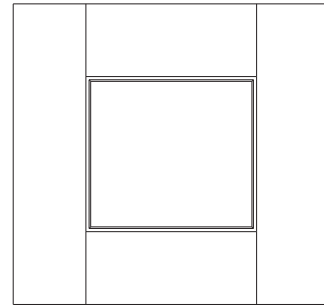
Note: If required the next page can be cut out and used as reference throughout the assembly. Keep this page with these instructions for future reference.

Components - Panels

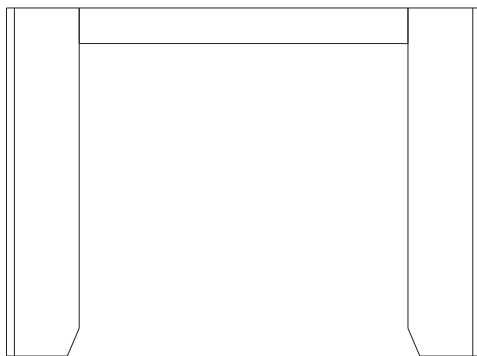
Please check you have all the panels listed below



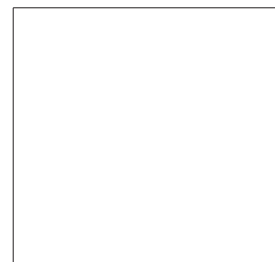
1 Large top panel
(64 x 42cm)



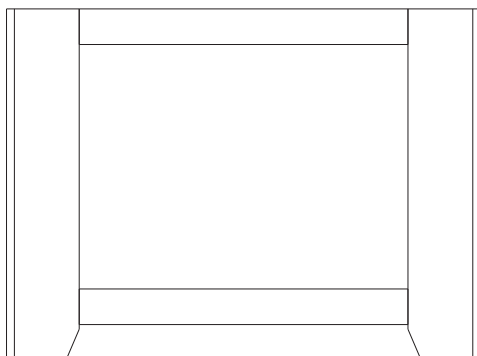
5 Small top panel
(40 x 38cm)



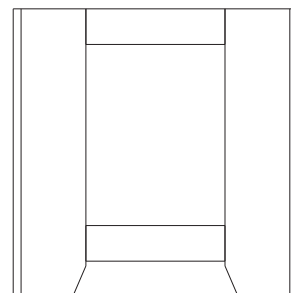
2 Large front panel
(44 x 60cm)



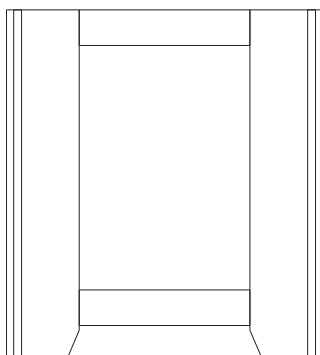
6 Base panel
(34 x 32.2cm)



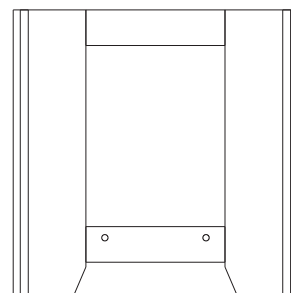
3 Large back panel
(44 x 60cm)



7 Small front panel x 2
(36 x 36cm)



4 Large side panel x 2
(44 x 40cm)



8 Small side panel x 2
(36 x 36cm)



9 Block x 4
(10 x 2cm)

Components - Fittings

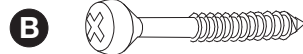
If you have damaged or missing components, call the **Customer Helpline: 08456 400 800**

Please check you have all the fittings listed below

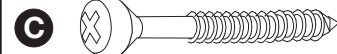
Note: The quantities below are the correct amount to complete the assembly. In some cases more fittings may be supplied than are required.



Wooden dowel x 12



35mm Screw x 22

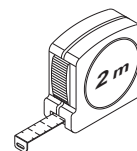


50mm Screw x 8

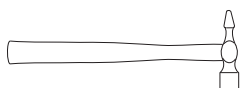
Tools required



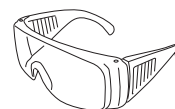
Phillips screwdriver
(medium)



Ruler/tape
measure

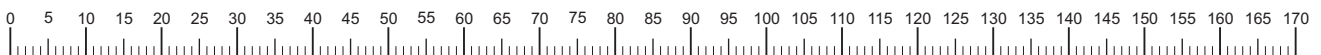


Small
hammer



Eye protection
(when using a
hammer or glue)

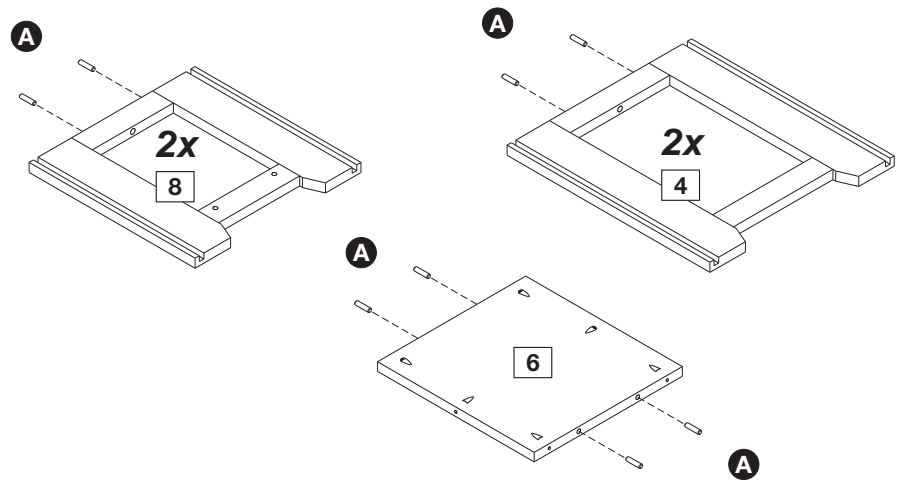
Ruler - Use this ruler to help correctly identify the screws



Assembly Instructions

Step 1

Insert dowels **A** into large side panels **4**, small side panels **8** and base panel **6**.



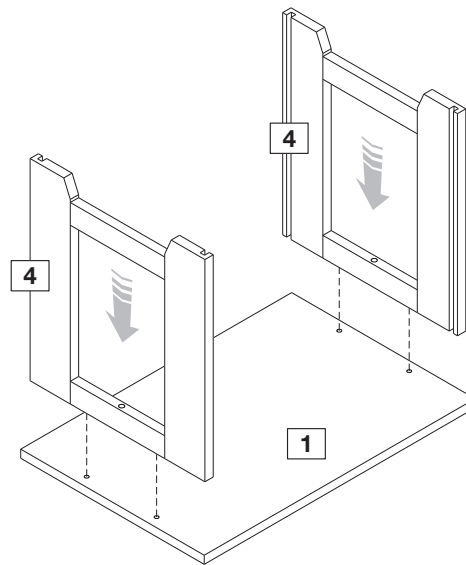
Step 2

Assembling larger table.

Two people are required for an easier assembly.

Caution: Carefully lay the top panel on a soft and clean surface to avoid damaging the product.

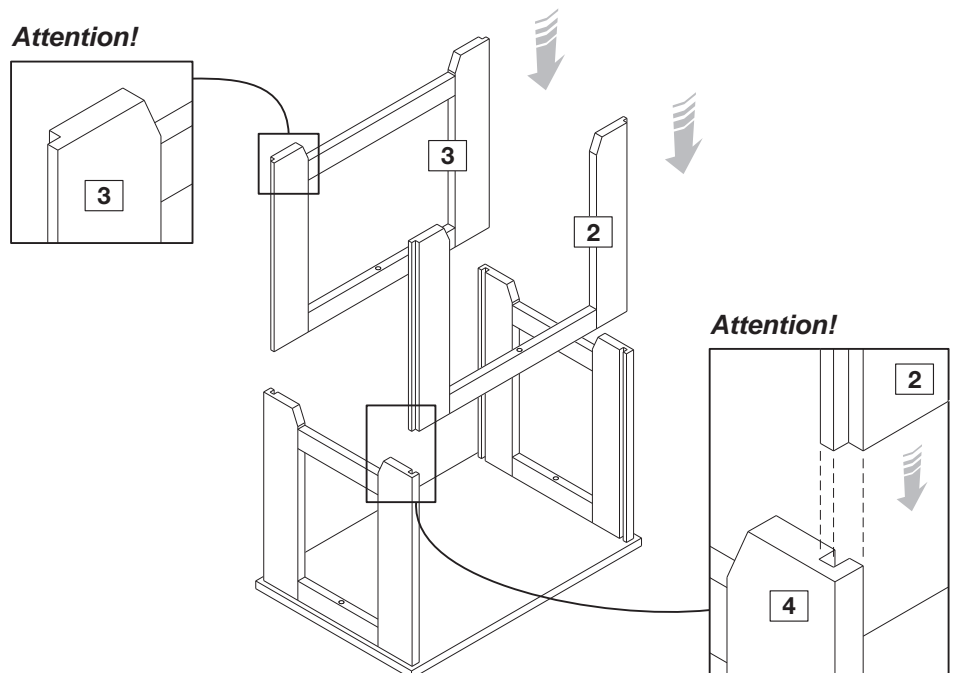
Place large side panels **4** properly ensuring dowels all fit into their holes on large top panel **1**.



Step 3

Insert large front panel **2** and large back panel **3** in the grooves on large side panels.

Attention! Note correct position of the panels.



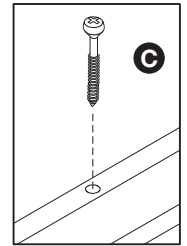
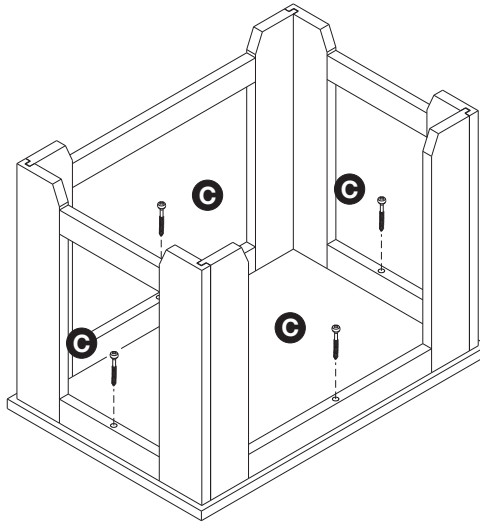
Assembly Instructions

Step 4

Fix assembled frame to the top panel using screws **C** as shown.



Attention:
Do not over tighten screws



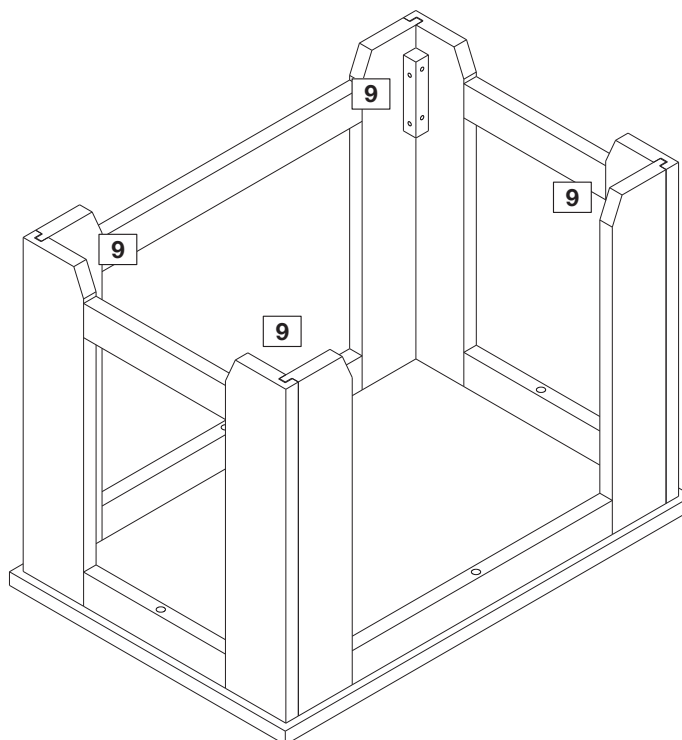
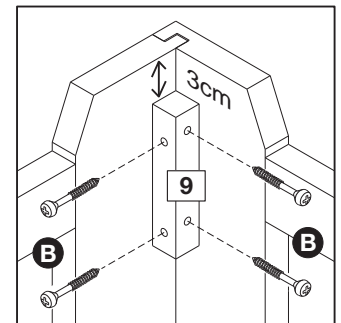
Step 5

Place blocks **9** in the positions shown. Then fix it to the panels using screws **B**.



Important:
Before fixing the blocks **9** into place it is important to ensure that the slot and groove of front panel, back panel and sides panels are fully pushed together and lined up correctly.

After fixing, carefully stand the product upright.



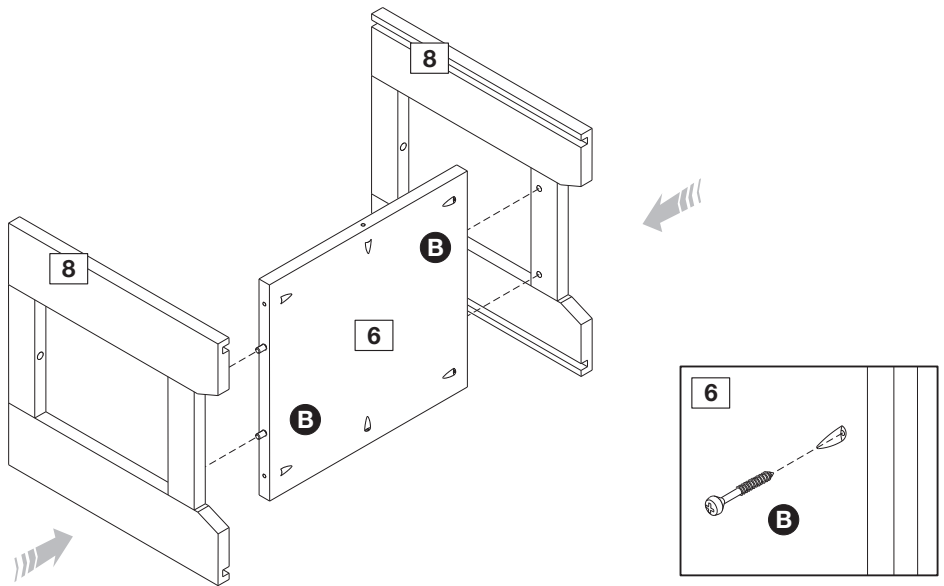
Assembly Instructions

Step 6

Assembling smaller table.

Two people are required for an easier assembly.

With help, fit base panel **6** to side panels **8** then fix it using screws **B**.



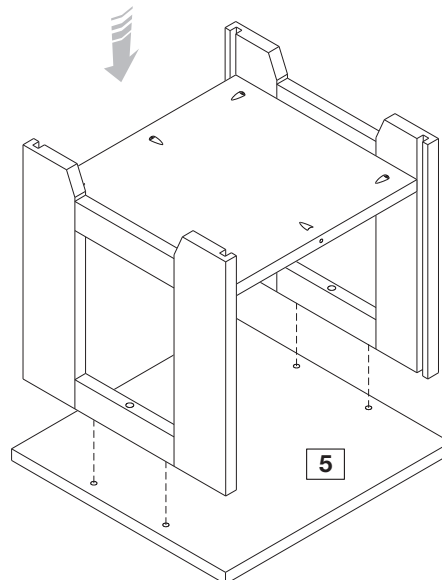
Step 7



Caution:

Carefully lay the top panel on a soft and clean surface to avoid damaging the product.

Place sides **8** properly ensuring dowels are all fitted into their holes on small top panel **5**.



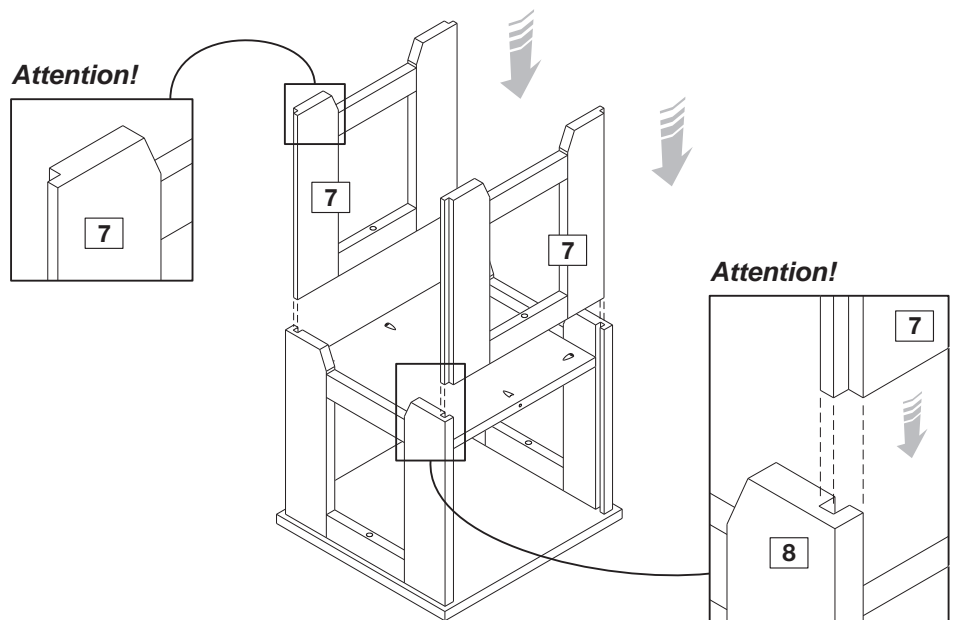
Step 8

Insert small front panels **7** in the grooves on side panels.



Attention!

Note correct position of the panels.



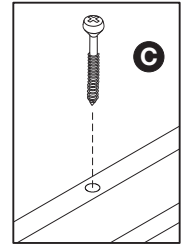
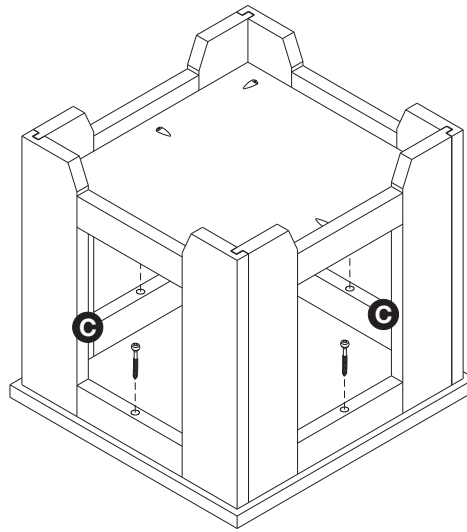
Assembly Instructions

Step 9

Fix assembled frame to the top panel using screws **C** as shown.



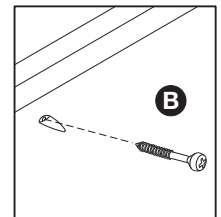
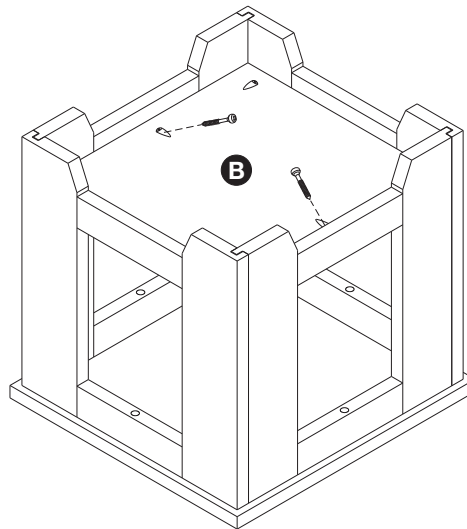
Attention:
Do not over tighten screws



Step 10

Fix base panel to the front panels **7** using screws **B**.

After fixing, carefully stand the product upright.



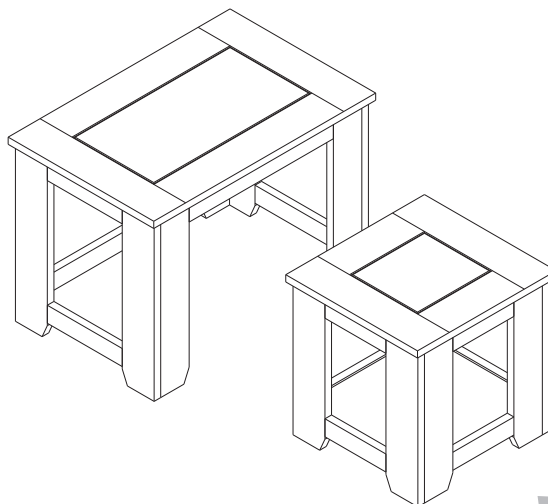
Step 11

Insert smaller table underneath large table.



Note:
Tables go in only through one of the sides of the tables. So, you may need to turn table around to insert the smaller one.

Assembly is complete.



If you need help or have damaged or missing parts, call the **Customer Helpline: 08456 400 800**