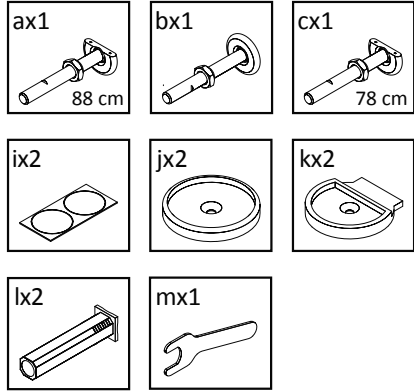
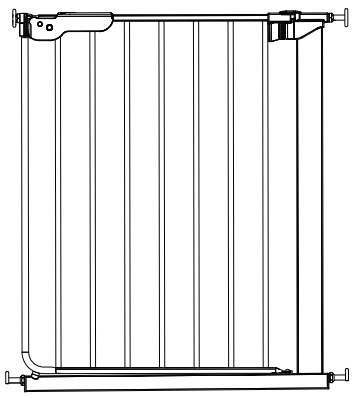
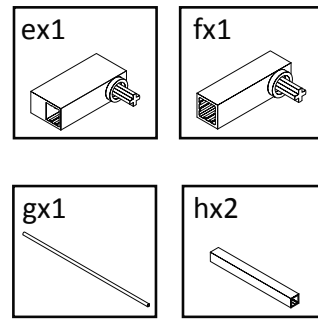
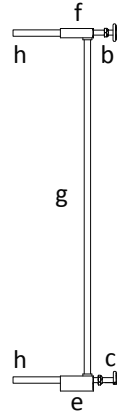


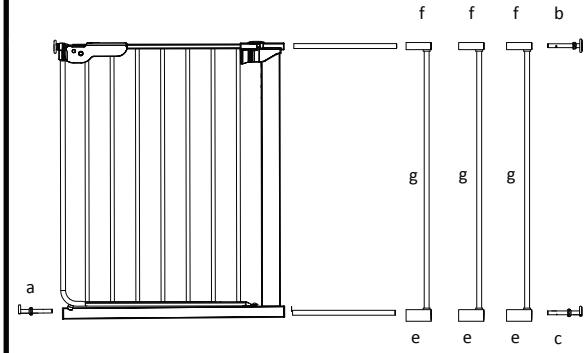
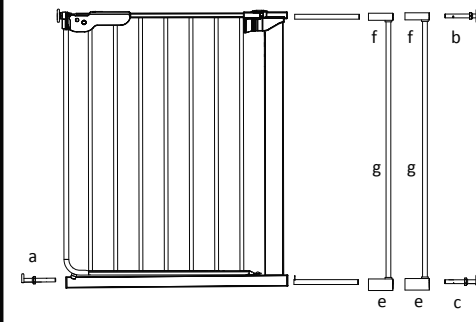
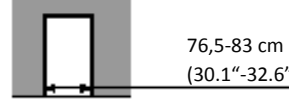
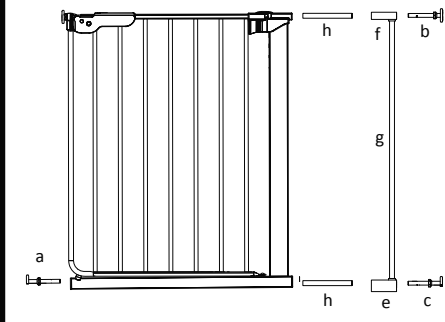
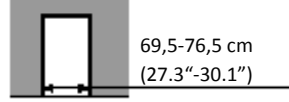
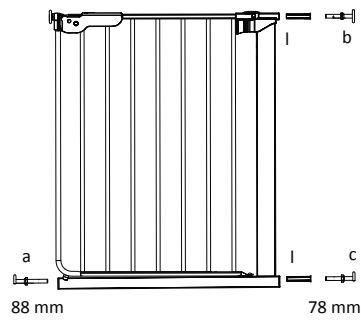
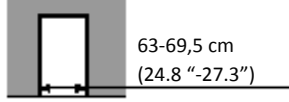
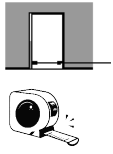
## Parts list - SlimFit



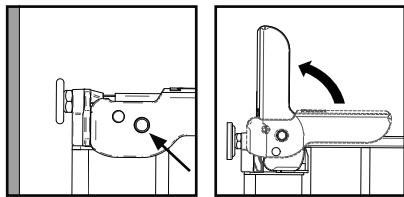
## Parts list - Extension \*1



1

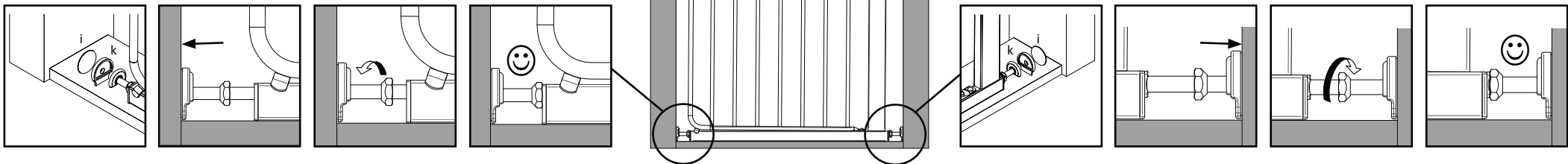


2

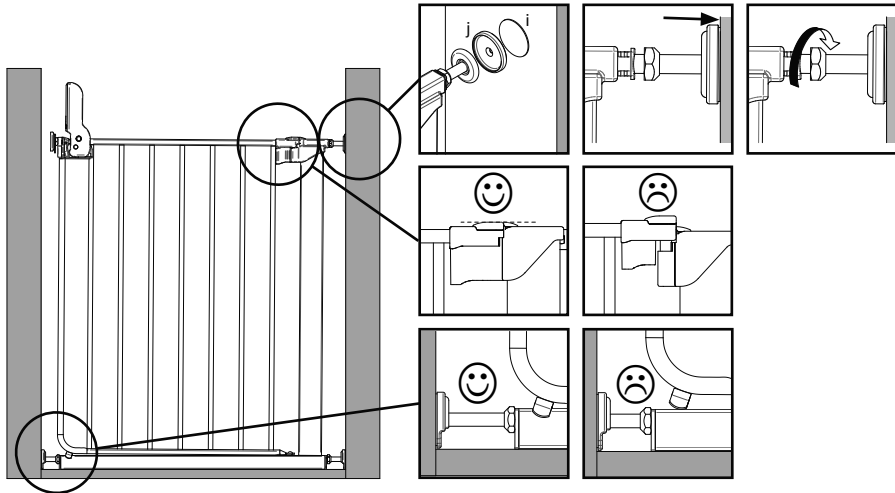


min 19 mm  
max 58 mm

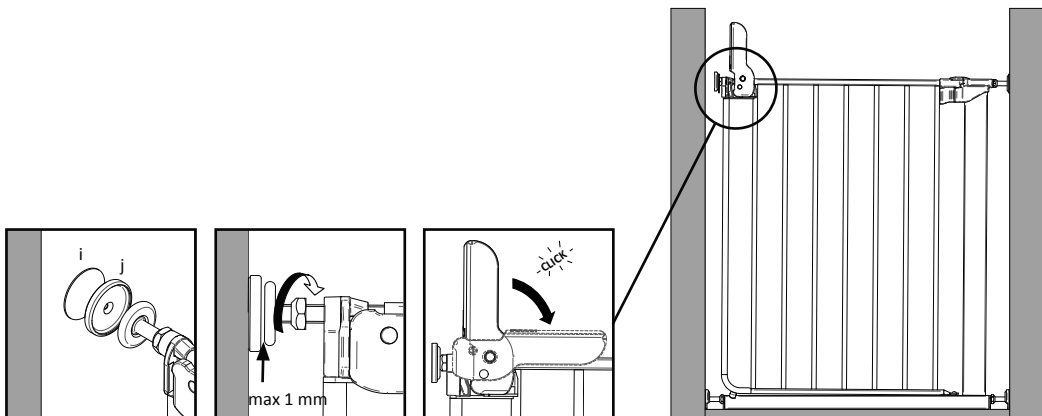
max 58 mm



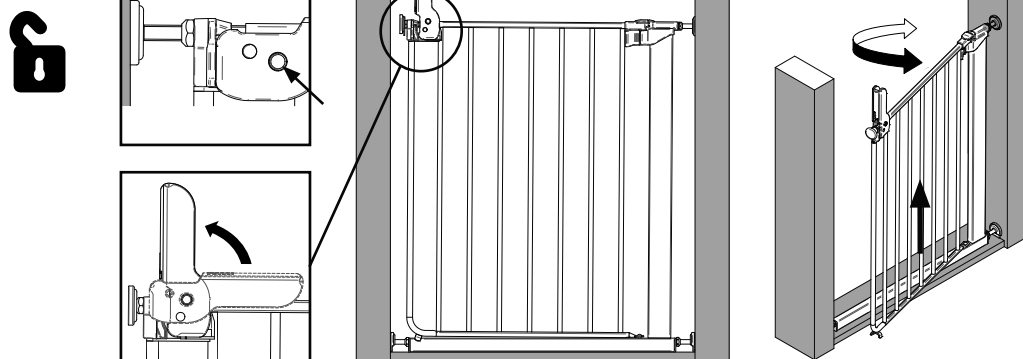
3



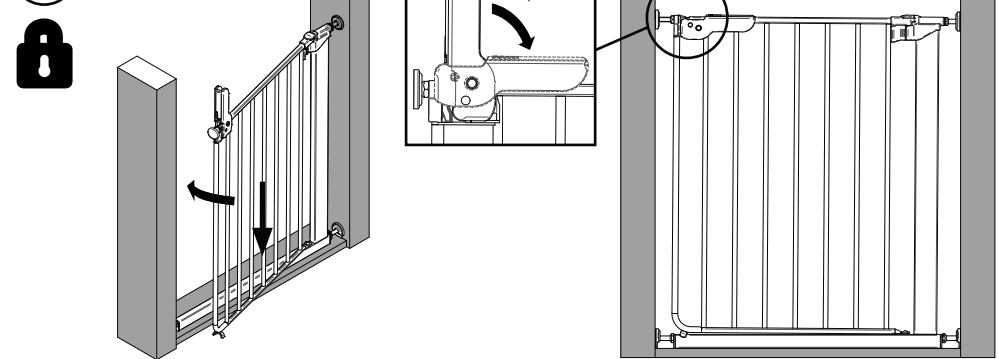
4



5



6



# GB: IMPORTANT! READ AND FOLLOW THESE INSTRUCTIONS CAREFULLY AND KEEP FOR FUTURE REFERENCE

## **Product information: SlimFit**

\*1) Extensions are available separately.

**WARNING:** Incorrect installation can be dangerous

**WARNING:** Do not use the safety barrier if any components are damaged or missing.

**WARNING:** The safety barrier must not be fitted across windows.

**WARNING:** Never use without wall cups.

Be aware of hazards associated with children using or climbing over the safety barrier. Never climb over the gate.  
Never allow children to swing on the gate.  
This safety barrier is for domestic use only.  
When fitted as instructed, between two clean structurally sound surfaces, this product conforms to EN 1930:2011.

Always place the gate directly on the floor/stairs.  
If the safety barrier is used at the bottom of the stairs, it should be positioned at the front of the lowest tread possible.

Please note that this product not necessarily prevents accidents to happen. Never leave your child unattended.  
This gate is designed for children up to 24 months. However, this guidance should be constantly monitored against your child's own development, as individual children's skills do develop at different ages.

**Important:** If using adhesive pads clean surface with Isopropyl Alcohol before attaching the pads onto the surface.  
Do not clean with anything containing oil or soap.

**Important:** Adhesive pads can only be used on smooth surfaces such as painted, lacquered or planed wood or smooth metal surfaces. Adhesive pads cannot be used on glass, brick wall, tapestry, wallpaper or other loose surfaces / materials.

If mounting onto brick, drywall or other dissimilar surfaces, it may be necessary to mount a smooth surface such as a wooden batten on to the wall.

If the gate is damaged or has been exposed to an accident it must not be used again.  
Only use original spare parts for this product.

The safety barrier has a manual closing system.  
Always check that the safety barrier is correctly closed and locked.  
The safety barrier should be checked regularly to ensure that it is secure and functioning in accordance with these instructions.

This safety gate is made from metal.  
Only clean using warm soapy water, or a damp cloth. Do not use abrasive cleaners or bleach.

Customer Care Helpline: 01704 895777