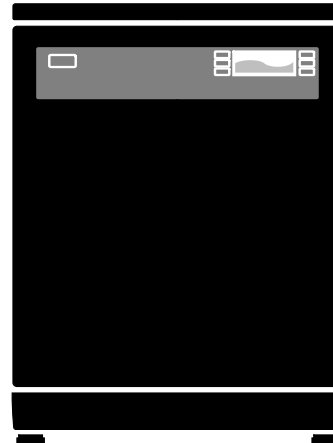


DISHWASHER >

User Manual

Model Numbers:

DN61039W
DN61039SS



SERVIS
EFFICIENCY BY DESIGN

Visit servis.co.uk



Contents ›

- 01 Welcome
- 02 Safety Instructions
- 07 Technical Specification
- 08 Installation
- 15 Your Dishwasher
- 19 Setting Up Your Dishwasher
- 25 Using Your Dishwasher
- 39 Maintenance
- 45 Troubleshooting
- 51 Inner Light Modes
- 52 Product Fiche
- 53 Guarantee
- 55 Index

WELCOME >

WELCOME >

Thank you for choosing this Servis Dishwasher, which has been designed and manufactured to give you many years of trouble-free service.

You may already be familiar with using a similar product but please take time to read these instructions, which have been written to ensure you get the very best from your purchase.

WARRANTY >

Servis provides you with a guarantee which will protect you should your Dishwasher develop an electrical or mechanical fault during the guarantee period. To ensure that you get a prompt and efficient service, please register your Dishwasher immediately.

You will find a warranty card included within the packaging. To register, complete the form, or:

» Visit us at www.servis.co.uk

» Call us on 0333 577 7232

ITEMS INCLUDED >

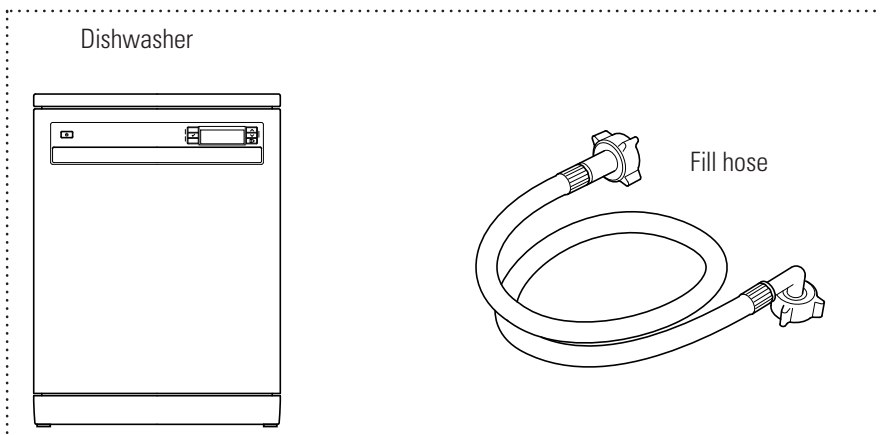


Figure 1

SAFETY INSTRUCTIONS >

SAFETY INSTRUCTIONS >

To ensure your safety and the safety of others, please read the following safety precautions before you operate your Dishwasher.

- » **Your Dishwasher conforms to current safety requirements. Inappropriate use can, however, lead to personal injury and damage to property. To avoid the risk of accidents and damage to your Dishwasher, read this user guide carefully before using it for the first time. It contains important information on the installation, safety, use and maintenance of your Dishwasher. Retain this user guide for future use and pass it on to any new owners.**
- » **Read this user guide before using or installing your Dishwasher.**
- » **Your Dishwasher is for domestic use only and is only intended to wash and dry items which are specified by the manufacturer to be dishwasher-safe. Do not use your Dishwasher for any purpose not expressly specified in this user guide.**
- » **Before setting up your Dishwasher, check for any external visible damage. Do not install or use your Dishwasher if it is damaged. Prolonged intensive use of your Dishwasher may call for additional ventilation.**
- » **This Dishwasher is designed to be used in houses and similar places. (IEC 60335-2-5/A2)**

SAFETY INSTRUCTIONS ›

- » **Before connecting your Dishwasher, ensure that the voltage and connected load information in this guide matches that of the mains electricity supply. If in doubt, consult a qualified electrician.**
- » **Before connecting your Dishwasher, ensure that all electrical connections match the values on the rating plate. Servis cannot be held responsible for any damage that may occur due to improper connections. If in doubt, consult a qualified electrician.**
- » **Do not connect your Dishwasher to the mains electricity supply using an extension lead or multi socket. These types of connection can cause overheating.**
- » **Make sure that the power supply cable is positioned where you can reach it if required.**
- » **A damaged power cord/plug can cause fire or give you an electric shock. When damaged it must be replaced. This should only be done by qualified personnel.**
- » **Never remove the plug from the socket by pulling the cord. Always hold the plug.**
- » **Never touch the power cord/plug with wet hands as this could cause a short circuit or electric shock.**
- » **Do not touch your Dishwasher if your hands or feet are wet.**
- » **Your Dishwasher can reach high temperatures in use. Do not place it next to a refrigerator or freezer.**
- » **Do not put your Dishwasher in any location where the room temperature is likely to fall below 0 °C.**
- » **Do not mount heat sources such as ovens near or on the Dishwasher. Heat from these devices may damage your Dishwasher.**
- » **Faulty components must only be replaced by a suitably qualified Service Agent using genuine spare parts.**
- » **Unauthorised repairs could result in unforeseen dangers for the user. Repairs should only be undertaken by an approved service agent.**
- » **In the event of a fault or for cleaning purposes, your Dishwasher is only completely isolated from the electricity supply when it is unplugged from the mains.**
- » **Your Dishwasher must only be connected to your water supply using the supplied new fill hose. Old hoses must not be reused.**
- » **Make sure that the drain hose is not kinked or compressed or the water may not drain away from the Dishwasher properly.**
- » **Do not make any alterations to your Dishwasher, unless authorised to do so by Servis.**

SAFETY INSTRUCTIONS ›

- » **The packaging of the Dishwasher could be hazardous to children. Please refer to the disposal instructions on the rear cover.**
- » **Please ensure that you have removed all of the packaging materials and protective tape from inside and outside your Dishwasher before using.**
- » **Keep the document bag that contained this user manual out of reach of children and babies to prevent the risk of suffocation.**
- » **Keep the small items found in the document bag out of reach of small children and babies.**
- » **Only use detergents and rinse aids which are designed specifically for use with dishwashers.**
- » **Use soft grain or powder softener salt. Do not use table salt or sea salt in your Dishwasher.**
- » **Never use your Dishwasher without a filter.**
- » **Do not overload the drawers or place items where they can block the rotary spray arms.**
- » **Never force the door open when your Dishwasher is running.**
- » **For energy and water saving, remove coarse residues and food waste from your dishes before placing your dishes in the Dishwasher.**
- » **Place hollow items, such as bowls, glasses and pots into the Dishwasher face-down wherever possible. However, do not place tall glasses so that their stems can block the rotary spray arm.**
- » **Place cutlery point down in the cutlery basket, or flat in the top basket.**
- » **Check whether plastic items are heat-resistant before washing them in the Dishwasher.**
- » **Do not touch the drain hose or any discharged water while your Dishwasher is running. The high temperatures involved pose a burn risk.**
- » **Clean the rotary spray arms and the filter at least once a week.**
- » **Check the rinse aid indicator regularly and top up with rinse aid when required.**
- » **This appliance can be used by children aged from 8 years and above and persons with reduced physical, sensory or mental capabilities or lack of experience and knowledge if they have been given supervision or instruction concerning use of the appliance in a safe way and understand the hazards involved. Children shall not play with the appliance. Cleaning and user maintenance shall not be made by children without supervision.**
- » **Do not sit or stand on the open door of your Dishwasher as it may fall over.**

TECHNICAL SPECIFICATION >

TECHNICAL SPECIFICATION >

Capacity	15 place settings
Height	845 mm
Height (without worktop)	815 mm
Width	596 mm
Depth	598 mm
Net Weight	62 kg
Electricity Input	220-240 V, 50 Hz
Total Power	2200 W
Heating Power	2000 W
Pump Power	100 W
Drain Pump Power	30 W
Water Supply Pressure	0.03 MPa 90,3 bar) - 1 MPa (10 bar)
Current	10 A

INSTALLATION >

INSTALLATION REQUIREMENTS >

To avoid risk of injury, please take care when moving your Dishwasher. It is heavy and we recommend that a minimum of two people move your Dishwasher.

To unpack your Dishwasher and manoeuvre it to the installation area, one person should hold it by the front feet and the other person at the edge of the lid at the rear.

Your Dishwasher measures 84.5 x 59.6 x 59.8cm and will require an installation area with the space to allow the door to fully open and provide easy access to the plumbing and electrical connections.

The most suitable installation surface for your Dishwasher is a concrete floor as it is less prone to vibration. Soft floor surfaces such as carpets and rugs are not suitable.

If possible, install your Dishwasher in the corner of the room as it is often the most stable part of the floor.

Do not install your Dishwasher in rooms where temperatures below freezing may occur as frozen hoses may burst or split.

INSTALLATION >

ADJUSTING THE FEET >

For safe operation, it is important that your Dishwasher is level and securely positioned on all four feet. Incorrect installation may cause the Dishwasher to vibrate and increase your water and electricity consumption. Never place cardboard, wood or similar materials under your Dishwasher to increase stability.

The four adjustable feet are used to level the Dishwasher. To adjust the feet (fig 6):

To increase the height of the Dishwasher, turn the feet anti-clockwise.

To decrease the height of the Dishwasher, turn the feet clockwise.

After making adjustments, use a spirit level to check that the Dishwasher is level.

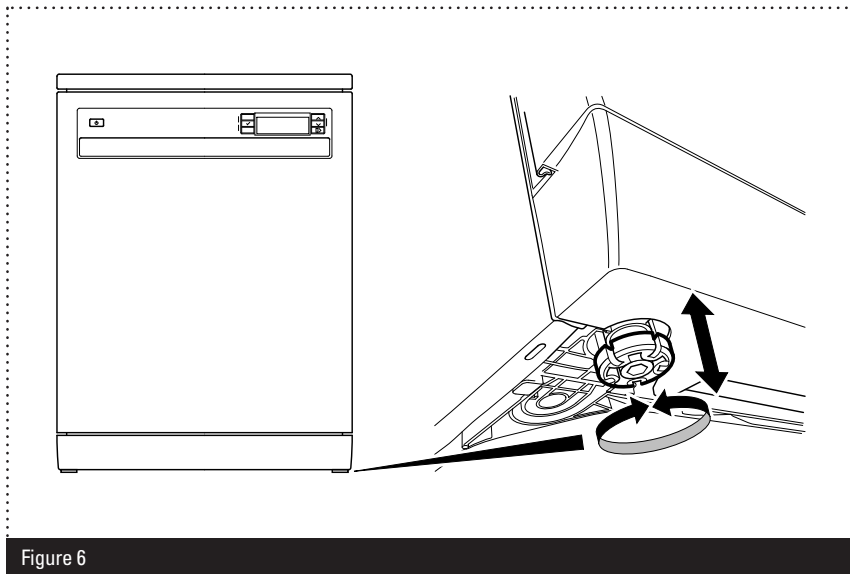


Figure 6

WATER SUPPLY CONNECTION >

Your Dishwasher uses an energy efficient cold fill system, which means that the Dishwasher is filled with cold water which is then heated to wash the dishes. As a result, no heat is lost in the pipeline from the hot water supply.

Connect your Dishwasher to your cold water supply only. If your previous Dishwasher had a hot and cold fill, check that the hot tap on your water supply is closed to avoid leakage. Only use the fill hose supplied and not one from your old Dishwasher. Only one hose is required to install your Dishwasher to the cold water supply. The inlet hose provided with your Dishwasher connects the rear of your Dishwasher and the cold water supply. To connect your Dishwasher to the cold water supply:

- 1 Connect the angled end of the fill hose to the cold water inlet on the rear of your Dishwasher by screwing the threaded connector clockwise (fig 7). Take care not to overtighten the connection. Hand tight is sufficient.

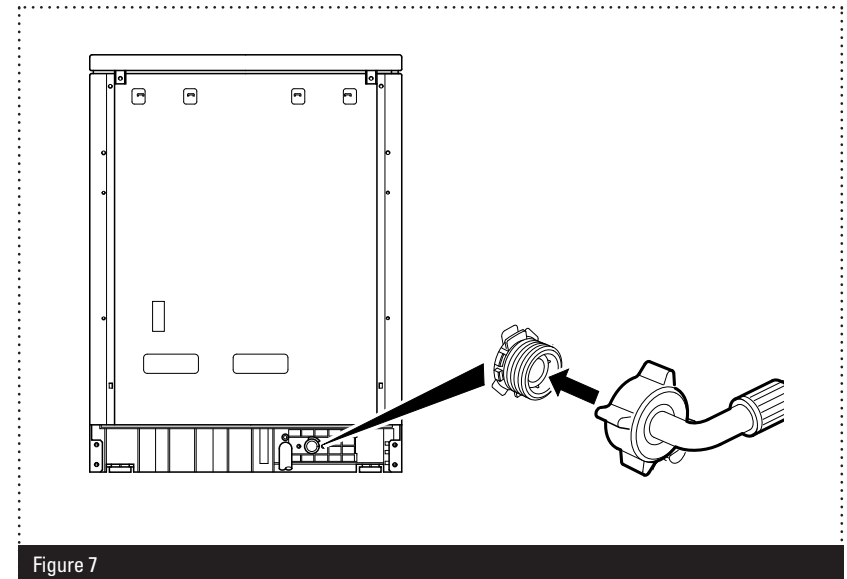


Figure 7

INSTALLATION >

WATER SUPPLY CONNECTION >

- 2 Screw the straight end of the hose clockwise to a 19mm (3/4") cold water tap until hand tight (fig 8). Take care not to trap or kink the hose.

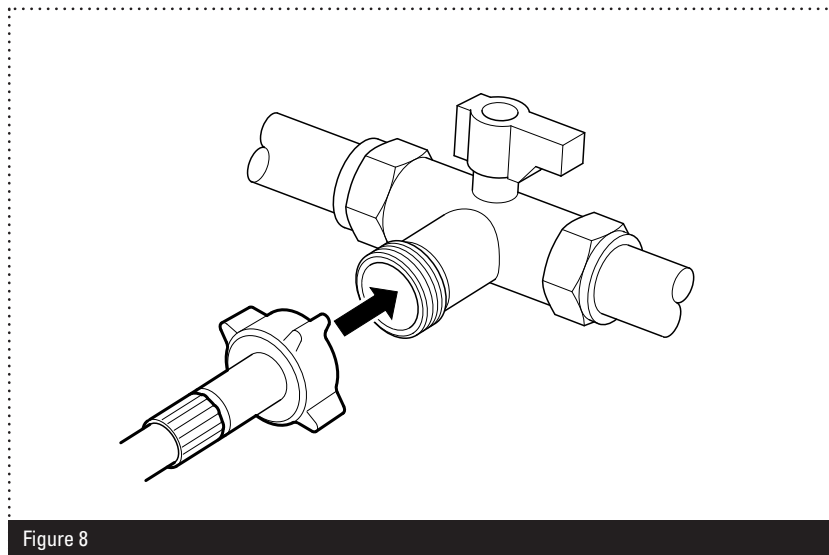


Figure 8

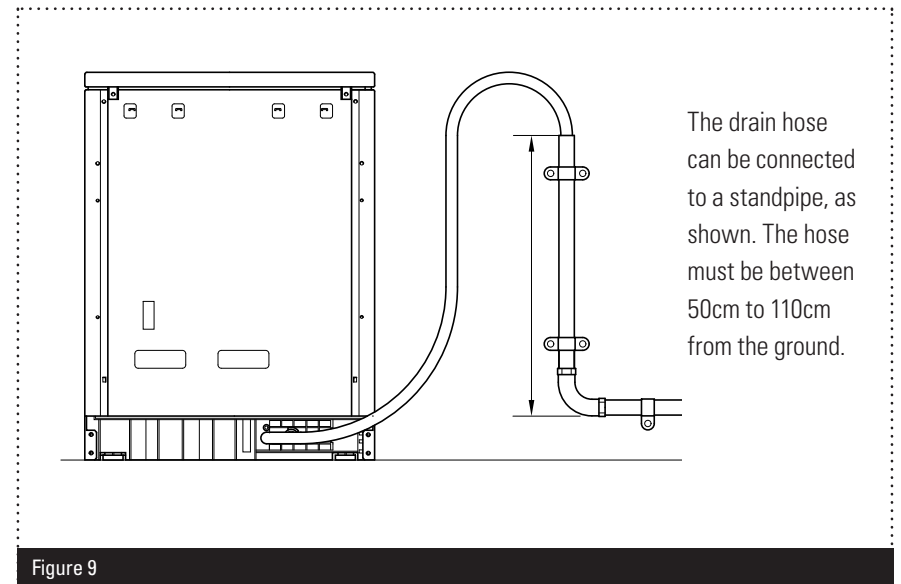
DRAIN HOSE CONNECTION >

Do not connect your Dishwasher to a surface water drain.

Connect your Dishwasher to your household drainage system (fig 9).

For your Dishwasher to function properly the outlet end of the drain hose must be at a minimum of 50cm and a maximum of 110cm from the ground.

CAUTION: Check to ensure that the hose is not trapped, kinked, twisted, folded or crushed. Do not attempt to extend the drain hose by adding extra sections.



The drain hose can be connected to a standpipe, as shown. The hose must be between 50cm to 110cm from the ground.

Figure 9

The cold water pressure for a normal household system ranges from between 0.1 to 1 Mpa. Your Dishwasher will run at optimum efficiency in this range.

Once you have made all of the connections, carefully turn your cold water supply on and check for leaks.

INSTALLATION >

ELECTRICAL CONNECTION >

- » Your Dishwasher requires a 220-240V, 50Hz mains supply. Do not use any other supply.
- » Your Dishwasher may be fitted with a moulded plug, which cannot be rewired.
- » If the fuse cover becomes damaged, you must not use the plug.
- » If your plug requires changing because it is not suitable for your socket, or it is damaged, you should consult a qualified electrician.

Fuse:

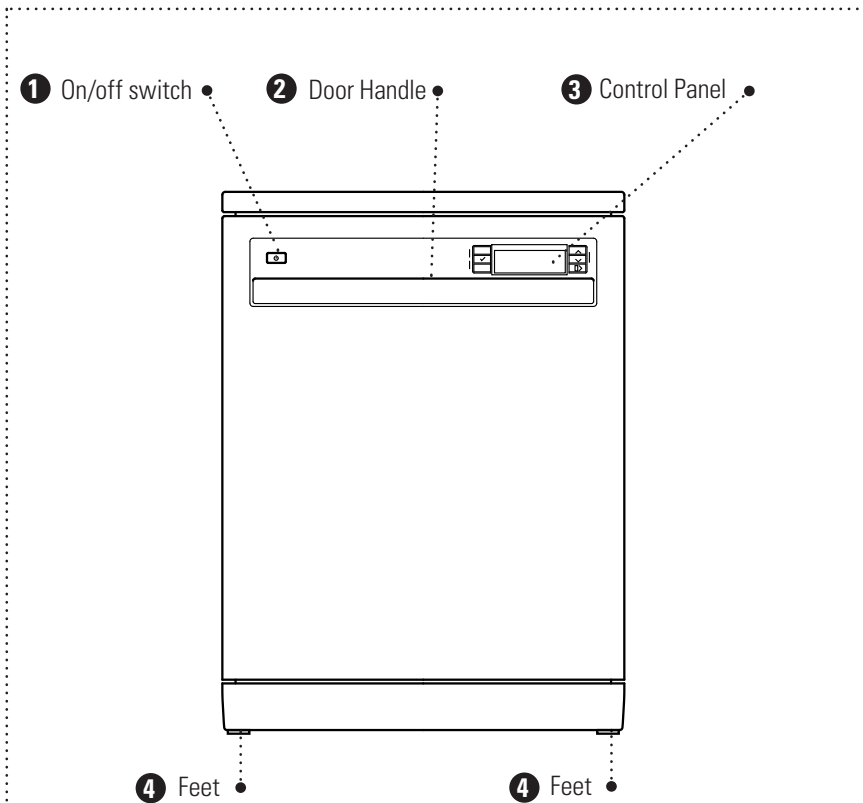
- » Replacement fuses should be ASTA-approved to BS1362 and have the correct 13 Amp rating.
- » Replacement fuses can be purchased from an electrical supplier.

PREPARING YOUR DISHWASHER FOR FIRST USE >

- » Remove all packaging from the Dishwasher.
- » Set the water softener level (see page 20).
- » Add 2 kg of salt to the salt compartment and fill with water until it is almost overflowing (see page 23).
- » Fill the rinse aid compartment (see page 24).
- » Run the Dishwasher unloaded (see page 31).

YOUR DISHWASHER >

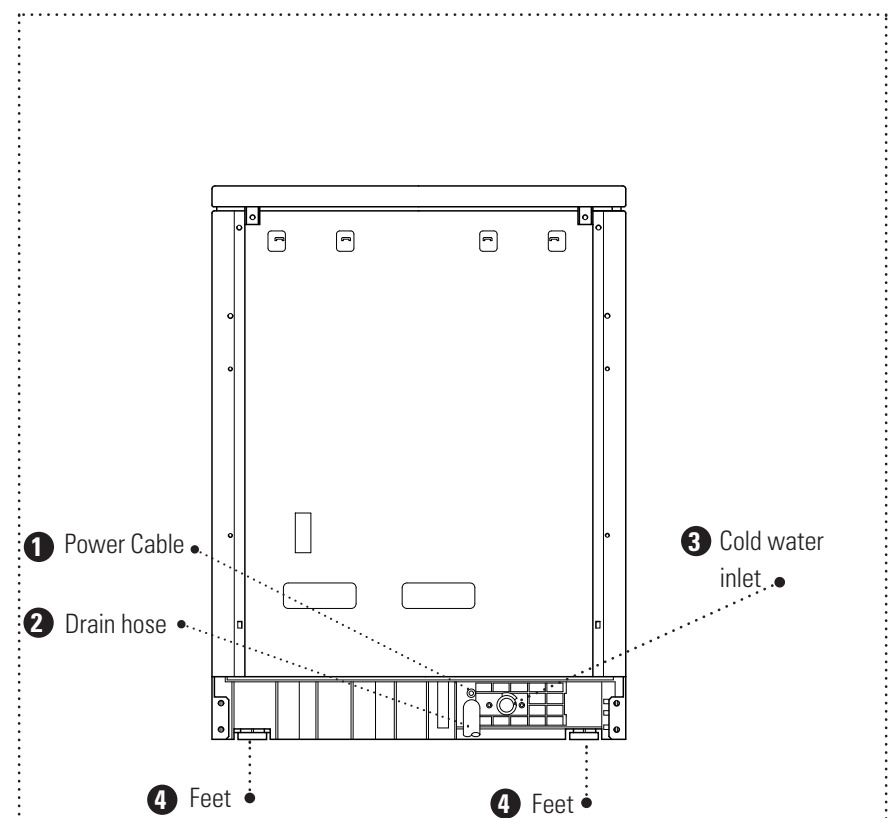
FRONT VIEW >



- 1 On/off switch.
- 2 Door handle.
- 3 Control panel.
- 4 Feet.

Figure 2

REAR VIEW >

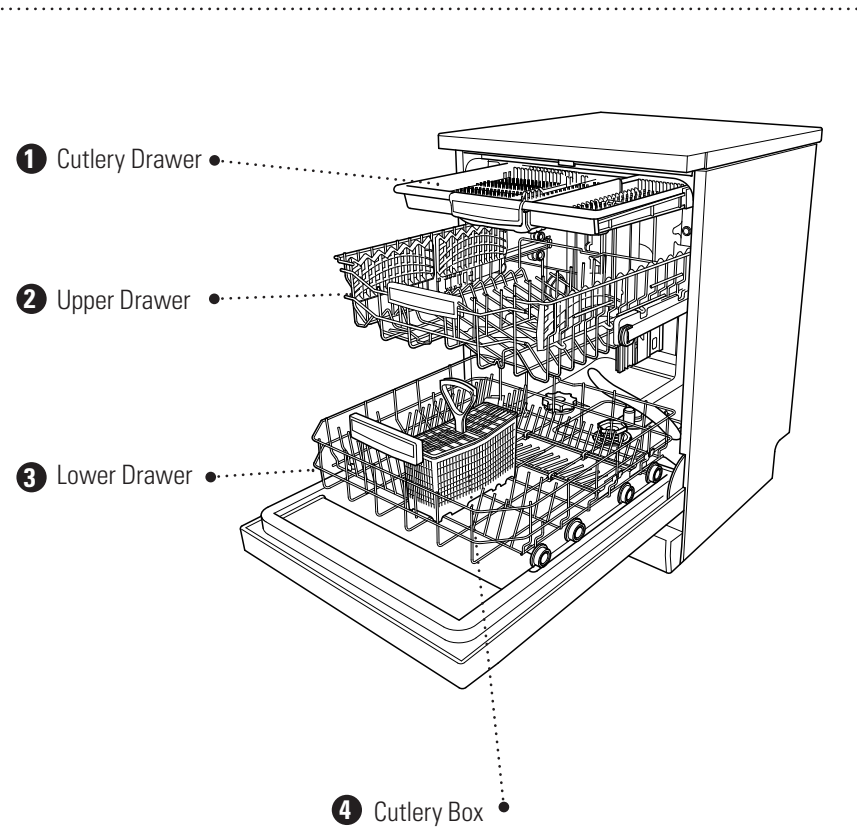


- 1 Power cable.
- 2 Drain hose; provides an outlet for the dirty water from your Dishwasher.
- 3 Cold water inlet; connects your Dishwasher to your cold water supply.
- 4 Feet.

Figure 3

YOUR DISHWASHER >

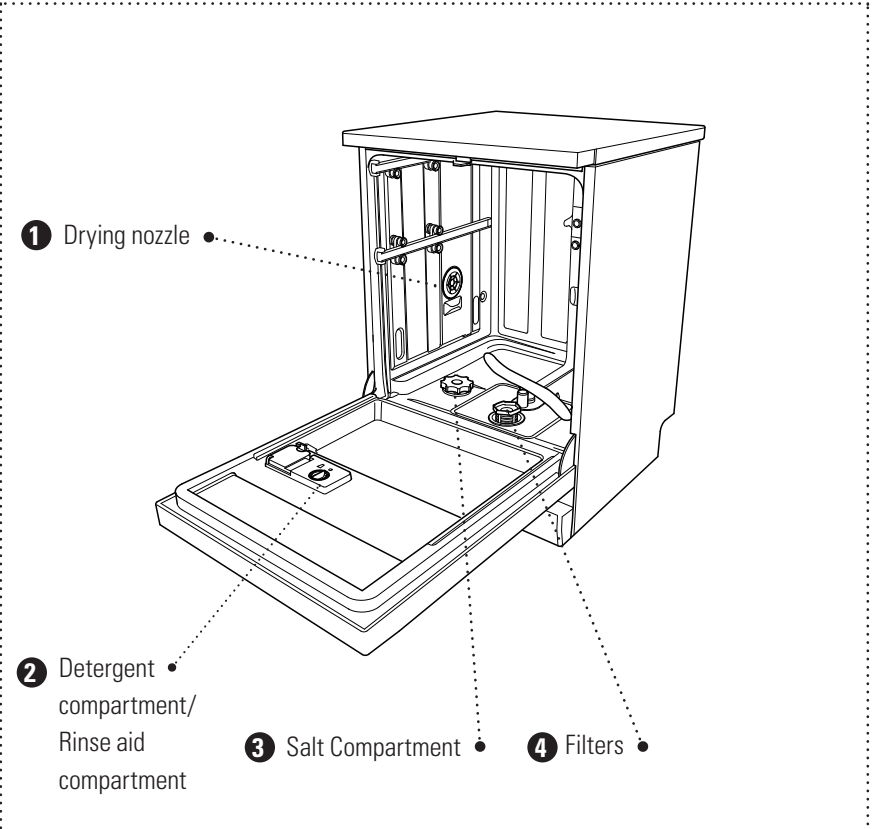
INSIDE VIEW (WITH DRAWERS) >



- 1 Cutlery drawer.
- 2 Upper basket.
- 3 Lower basket.
- 4 Cutlery box.

Figure 4

INSIDE VIEW (WITHOUT DRAWERS) >



- 1 Drying nozzle (one each side).
- 2 Detergent compartment/Rinse aid compartment.
- 3 Salt compartment.
- 4 Filters.
- 5 Light (Not shown)

Figure 5

SETTING UP YOUR DISHWASHER >

CONTROL PANEL OVERVIEW >

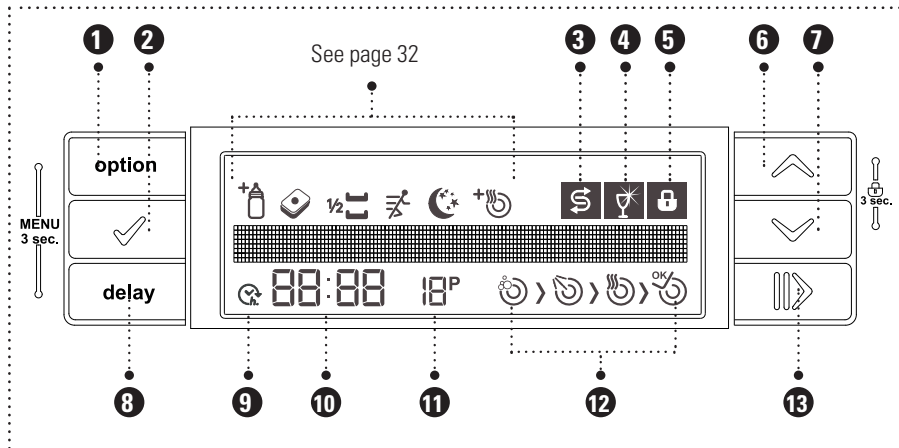


Figure 10

- 1 Option button. Select additional programme options.
- 2 Confirmation button. Saves additional programme selection.
- 3 Salt level warning. If shown, refill the salt compartment (see page 23).
- 4 Rinse aid warning. If shown, refill the rinse aid compartment (see page 24).
- 5 Child lock on.
- 6 Up button. Page up through the available wash programmes. If the delay button has been pressed, adds 1 hour to the delay time (up to 24 hours).
- 7 Down button. Page down through the available wash programmes. If the delay button has been pressed, subtracts 1 hour from the delay time.
- 8 Delay button. Delay the start time of the selected wash programme. Use the up and down button to select the amount of time the programme is delayed (up to 24 hours).
- 9 Delay indicator. Shows that a delay has been set.
- 10 Delay time. The amount of time the programme is delayed.
- 11 Programme indicator. Shows the selected programme.
- 12 Washing cycle progress indicators. Shows the progress of the washing cycle.
- 13 Start/Pause Button: Start or pause the selected programme.

SETTING THE WATER SOFTENER LEVEL >

The effectiveness of your Dishwasher depends on the softness of the water supply. For this reason, your Dishwasher is equipped with a system to reduce the hardness in the mains water. To find out the water hardness level in your area, contact your water company.

To set your Dishwasher to compensate for the water hardness level:

- 1 Switch on your Dishwasher.
- 2 On the control panel hold down the Option and Delay buttons together for 3 seconds. You will see 'Settings Menu' on the display.
- 3 Use the Down button to select '2. Water Hardness: L03'.
- 4 Press the Confirmation button. The 'L03' will start to flash.
- 5 Use the Up or Down buttons to select the required hardness level.
- 6 Press the Confirmation button to save the setting.
- 7 Use the Down button to select '7 Exit Menu'.
- 8 Press the Confirmation button to exit the settings menu.

Hardness Levels

Hardness	British Hardness (dE)	French Hardness (dF)	German Hardness (dH)
L1	0-6	0-9	0-5
L2	7-14	10-20	6-11
L3	15-21	21-30	12-17
L4	22-28	31-40	18-22
L5	29-39	41-55	23-31
L6	40-63	56-90	32-50

SETTING UP YOUR DISHWASHER >

Settings Menu >

To use the settings menu:

- 1 Switch on your Dishwasher.
- 2 On the control panel hold down the Option and Delay buttons together for 3 seconds. You will see 'Settings Menu' on the display.
- 3 Use the Up and Down button to select the required option.
- 4 Press the Confirmation button to access the option settings.
- 5 Use the Up or Down buttons to select the required setting.
- 6 Press the Confirmation button to save the setting.
- 7 Use the Down button to select '7 Exit Menu'.
- 8 Press the Confirmation button to exit the settings menu.

Settings Menu >

- | | | |
|---|------------------|--|
| 1 | Language | Sets the language used to display messages on the control panel. When you first receive the Dishwasher the language is set to English, but you can change it to any one of the following:

Croatian, Czech, Dansk, Deutsch, Finnish, French, Greek, Hungarian, Italian, Nederlands, Norwegian, Polish, Portuguese, Russian, Slovene, Spanish, Swedish, Turkish.


To reset the language to English at any time, use this setting or setting '6 Factory Settings'. |
| 2 | Water Hardness | See page 20. |
| 3 | Volume | Adjusts the volume of the Dishwasher's alarms. You can select from L1 (quietest) to L3 (loudest). |
| 4 | Brightness | Adjusts the brightness of the control panel display. You can select from L1 (darkest) to L3 (brightest). |
| 5 | Ecomode | Minimises the brightness of the control panel display after 30 seconds of non-operation to save energy. The available options are Yes or No. |
| 6 | Factory Settings | Discards any setting changes you have made and resets the Dishwasher to the factory settings. |
| 7 | Exit Menu | Exits the settings menu. |

SETTING UP YOUR DISHWASHER >

Filling With Salt >

To fill the salt compartment (fig 11):

- 1 Open the Dishwasher.
- 2 Remove the lower basket.
- 3 Open the salt compartment cap by turning it counter clockwise.
- 4 Fill the compartment with 2 kg of dishwasher salt.
- 5 Top up the salt compartment with water until it is almost overflowing (**the first time you fill the salt compartment only**).
- 6 Replace the cap, turning it clockwise.
- 7 Replace the lower basket.

When  is displayed on the control panel, repeat the above steps to refill the salt compartment.

CAUTION: Use soft grain or powder softener salt. Do not use table salt or sea salt in your Dishwasher.

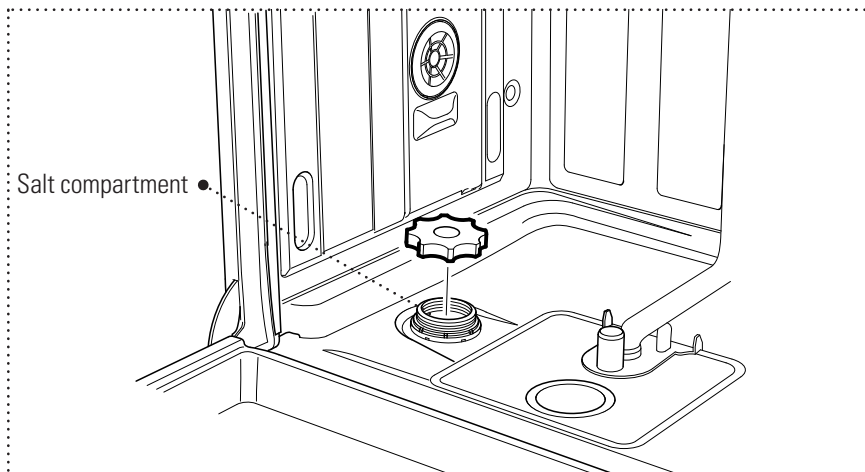



Figure 11

Filling With Rinse Aid >

To fill the rinse aid compartment (fig 12):

- 1 Open the Dishwasher.
- 2 Remove the rinse aid compartment cap by turning it counter clockwise.
- 3 Fill the compartment with rinse aid until the rinse aid level indicator goes dark.
- 4 Replace the cap, turning it clockwise.

When  is displayed on the control panel, repeat the above steps to refill the rinse aid compartment.

The rinse aid compartment includes a level adjuster, numbered 1 to 6, which controls how much rinse aid is used in each wash. It can be adjusted using a screwdriver. If:

- >> water stains form on your dishes, increase the adjuster setting towards 6.
- >> blue stains form on your dishes, decrease the adjuster setting towards 1.

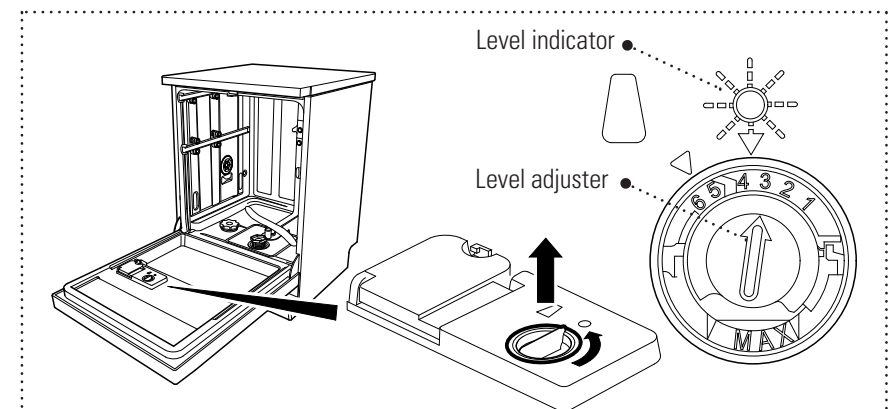


Figure 12

USING YOUR DISHWASHER >

Loading Your Dishwasher >

Your Dishwasher has two main baskets for your dishes and a top drawer for cutlery and other small items. There is also a cutlery box for the lower basket.

The upper basket is designed for tea plates, dessert plates, salad bowls, cups and glasses.

The lower basket is designed for larger or deeper items, such as pots with long handles, pot lids and large plates.

Tips:

- » If placing long-stemmed glasses or goblets, place them against the basket edge, rack or glass support wire. Do not place them against each other or other dishes as they may move about and be damaged.
- » Place long-handled and sharp-pointed items (e.g. bread knife, carving knife) point downwards or flat on the baskets to avoid any potential injury.
- » Do not block the free movement of the spinning arms. Place tall items flat or close to the edges of the baskets.
- » Leave space between dishes for the water to spray freely. For example, do not stack plates against each other.
- » Place hollow items, such as bowls, glasses and pots into the Dishwasher face-down wherever possible.
- » Place spoons amongst other cutlery to prevent them sticking together and not being washed properly.

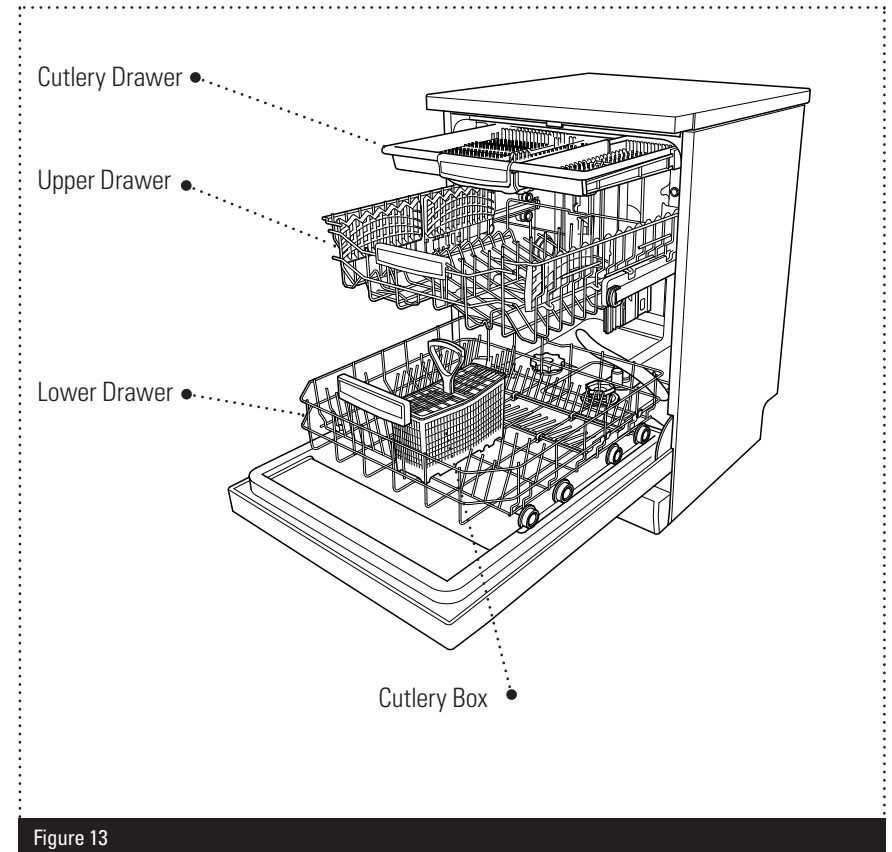


Figure 13

USING YOUR DISHWASHER >

Do Not Block The Upper Spray Arm

Do not overload the drawers or place items where they can block the rotary spray arms (fig 14). If necessary, the upper basket can be raised to create a larger space in the lower basket.

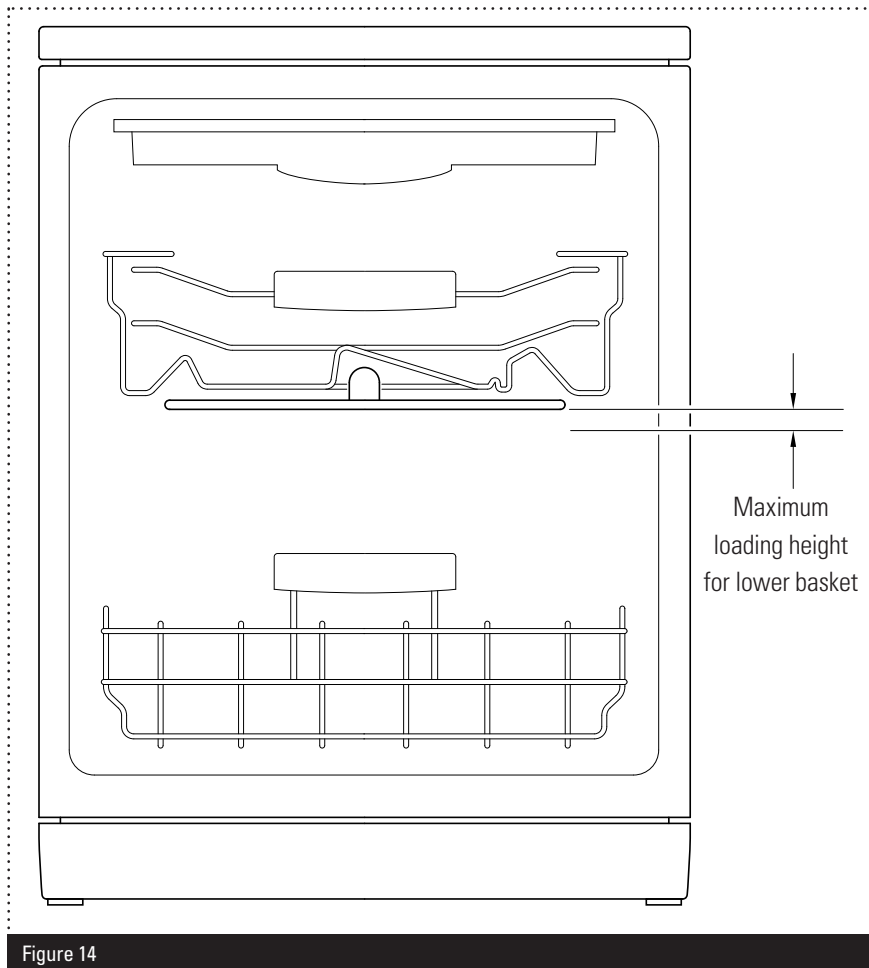


Figure 14

Adjusting The Upper Basket:

The upper basket can be raised to create a larger space in the lower basket (fig 15). This is especially useful if you have tall items and need to keep the upper spray arm free.

To raise the upper basket, hold it at both sides and pull it upwards until it locks.

To lower the upper basket, hold it at both sides and pull it upwards to unlock it, then lower it into position.

CAUTION: Make sure the basket is level (i.e. both sides in the same position) before you load it.

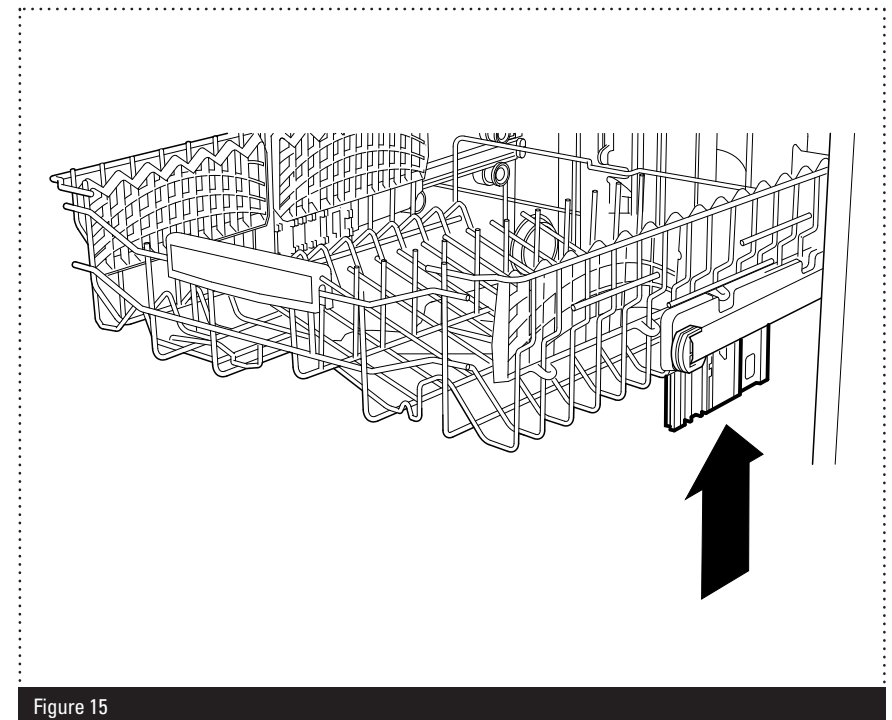


Figure 15

USING YOUR DISHWASHER >

Filling With Detergent >

Once you have loaded the Dishwasher, you must put in detergent. To fill the detergent compartment (fig 16):

- 1 Push the latch to open the detergent compartment.
- 2 Use the fill markings in the compartment to put the correct amount of detergent into the compartment:
25 cm³ if your dishes are heavily soiled
15 cm³ if your dishes are lightly soiled
- 3 (Optional) If there is dried food waste on your dishes, put 5 cm³ of detergent into the prewash part of the compartment.
- 4 Close the detergent compartment.

If your detergent comes in tablet form, put the tablet in the detergent compartment. Do not put the tablet in any other part of the Dishwasher.

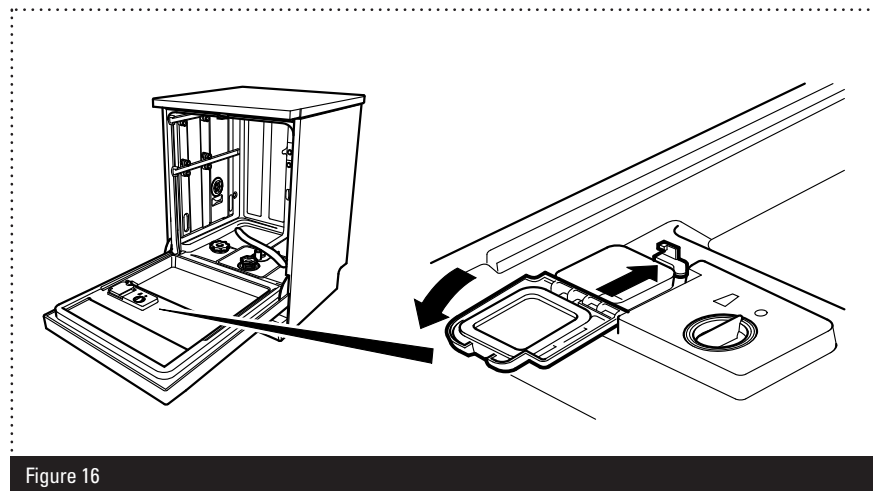


Figure 16

Combined Detergents

Some manufacturers produced combined detergents. These contain a mixture of detergent, salt and/or rinse aid. Check the labelling on the detergent product you are using and adjust the amount of salt or rinse aid you use separately in your Dishwasher.

If You Stop Using Combined Detergents

If you stop using combined detergents after a long period of using them, do the following before you next use your Dishwasher:

- » Fill the salt and rinse aid compartments.
- » Adjust the water hardness setting to the highest position and run an empty wash.
- » Set the water hardness setting to match your water hardness level.
- » Set the rinse aid setting if required.

USING YOUR DISHWASHER >

Running Your Dishwasher >

Once you have loaded your Dishwasher:

- 1 Close the Dishwasher door.
- 2 Switch on your Dishwasher. The Eco programme is displayed by default, due to eco design regulations.
- 3 **(Optional)** Use the Up or Down buttons to select a different wash programme.
- 4 **(Optional)** Press the Option button to select an additional option. Press the Confirmation button to save the setting. Additional options are described on the following pages.
- 5 **(Optional)** Press the Delay button and use the Up and Down buttons to set a delay before the programme will start (up to 24 hours).
- 6 Press the Start button. The programme will start immediately, unless you have set a delay when it will start after the delay.

If you have set a delay, you can cancel it at any time before it runs out by holding the Start button for 3 seconds.

When the selected programme starts you can monitor the progress of the wash cycle using the wash cycle indicators on the control panel. When the wash programme has stopped, switch off the Dishwasher before opening the door and emptying it.

Do not open the door while the Dishwasher is running.

Child Lock >

After you have started a programme (or a delay) you can lock the control panel to prevent the settings being changed while the Dishwasher is running.

To lock the control panel, hold down the Up and Down buttons for 3 seconds. The display will read 'Child Lock on'. To unlock the control panel, hold down the Up and Down buttons for 3 seconds.

Additional Options >



Extra Hygiene

Select this option if you want a cleaner, more hygienic washing process. This raises the water temperature and extends the washing time.



Tablet Detergent

Select this option if you are using dishwasher tablets containing salt, rinsing agent and combined detergents in the Dishwasher.



Half Load

Select this option if you do not have a full load for your Dishwasher. This option has three settings:

- » Upper Basket (indicated by the symbol with only the upper basket shown): Washing will only be done in the upper basket of the Dishwasher and the upper cutlery basket. Put all your dishes in the upper baskets.
- » Lower Basket (indicated by the symbol with only the lower basket shown): Washing will only be done in the lower basket of the Dishwasher and the small drawer. Put all your dishes in the lower basket.
- » Both Baskets (indicated by the full symbol with both baskets shown): Washing will be done in both baskets of the Dishwasher but less water will be used than for a full load.



Extra Fast

Select this option if you want to wash the dishes quickly. This raises the water pressure and reduces the time taken.



Extra Silent

Select this option if you want to run the Dishwasher quietly (e.g overnight). This reduces the water pressure to reduce the noise.



Extra Drying

Select this option to extend the drying time for drier dishes.

USING YOUR DISHWASHER >

DISHWASHER PROGRAMMES >

Programmes	Wash Temp. (°C)	Types of food fragments	Contamination Level	Amount of Detergent Required*	Full Load			Half Load		
					Prog. Duration (minutes)	Power Used (Kw/hour)	Water Used (Litres)	Prog. Duration (minutes)	Power Used (Kw/hour)	Water Used (Litres)
Prewash	-	Fresh less dirty, coffee, tea, milk	Small	-	15	0.02	4.2	15	0.02	4.2
Jet Wash 18	35	Less dirty, coffee, tea, not kept long	Small	A	18	0.57	7.7	18	0.57	7.7
Quick 30'	40	Fresh coffee, tea, milk, cold meat, vegetables	Small	B	30	0.74	10.9	30	0.74	10.9
Eco 50°C	50	Fresh coffee, tea, milk, cold meat, vegetables	Medium	A+B	176	0.84	9.0	133	0.81	9.0
Dual Wash	65	Soups, sauces, pasta, eggs, oven dishes, dried on fried food	High	A+B	106	1.43	15.4	88	1.33	11.1
Super 50'	65	Soups, sauces, pastry, eggs, rice, potatoes, meat, fried food	Medium	A+B	50	1.29	10.7	46	1.23	10.7
Daily 60°	60	Soups, sauces, pastry, eggs, rice, potatoes, meat, fried food	Medium	A+B	95	1.38	14.9	83	1.34	11.1
Auto Intensive 60°/70°C	60 to 70	Programme automatically adjusted according to soil level of dishes	High	A+B	107 to 171	1.30	12.3 to 24.6	123 to 151	1.58	11.9 to 19.9
Auto Normal 50°-60°C	50 to 60	Programme automatically adjusted according to soil level of dishes	High	A+B	102 to 117	1.18	10.9 to 18.5	82 to 97	1.11	10.5 to 14.3
Auto Delicate 30°-50°C	30 to 50	Programme automatically adjusted according to soil level of dishes	Small	B	79 to 87	0.82	10.6 to 17.7	62 to 75	0.87	9.9 to 13.7

* Amount of detergent required: A - 5cm³. B - 25 cm³/15 cm³.

Note: Values above have been tested according to related standards in lab conditions. These values may vary due to environment conditions (mains voltage, water pressure, water inlet temperature and the ambient temperature).

USING YOUR DISHWASHER >

DISHWASHER PROGRAMMES - WASH STEPS >

Programmes	Steps					
Prewash	Prewash	End				
Jet Wash 18	35°C wash	Hot rinse	End			
Quick 30'	40°C wash	Cold rinse	Hot rinse	End		
Eco 50°C	Prewash	50°C wash	Hot rinse	Dry	End	
Dual Wash	40°C wash	65°C wash	45°C wash	Hot rinse	Dry	End
Super 50'	65°C wash	Warm rinse	Hot rinse	End		
Daily 60°	Prewash	60°C wash	Warm rinse	Hot rinse	End	
Auto Intensive 60°/70°C	Washing steps are determined automatically according to the level of soil					
Auto Normal 50°-60°C	Washing steps are determined automatically according to the level of soil					
Auto Delicate 30°-50°C	Washing steps are determined automatically according to the level of soil					

Notes

- » In the Dual Wash programme dishes in the upper basket are washed at lower pressure than dishes in the lower basket with the help of a variable-speed engine. Therefore you can wash both delicate/less soiled dishes and heavily soiled dishes at the same time.
- » The Jet Wash 18 minute programme can be used for not kept for long, less dirty dishes. It is suitable for dishes of four persons.
- » Only powder detergent should be used with the Jet Wash 18 minute programme.
- » The Jet Wash 18 minute, Fast 30 minute and Super 50 minute programmes have no drying step.

Important Note for Test Laboratories

For detailed information on performance tests, please email: dishwasher@standardtest.info. Please provide the model name and 20-digit serial number in your email. The serial number can be found on the appliance door.

USING YOUR DISHWASHER >

USING ADDITIONAL FUNCTIONS WITH PROGRAMMES >

The table below displays which additional functions are compatible with each wash programme. Where an additional function is not compatible, you cannot select it from the control panel.

Programmes	OPTIONS							
	Delay Start	Extra Hygiene	Tablet	Half Load (3 modes)	Extra Fast	Extra Silent	Extra Drying	Child Lock
								
Prewash	x	-	-	x	-	-	-	x
Jet Wash 18	x	-	-	x	-	-	-	x
Quick 30'	x	-	-	x	-	-	x	x
Eco 50°C	x	x	x	x	x	x	x	x
Dual Wash	x	x	x	x	x	x	x	x
Super 50'	x	x	x	x	-	-	x	x
Daily 60°	x	x	x	x	x	x	x	x
Auto Intensive 60°/70°C	x	x	x	x	-	-	x	x
Auto Normal 50°-60°C	x	x	x	x	-	-	x	x
Auto Delicate 30°-50°C	x	x	x	x	-	-	x	x

- Additional function is not compatible with programme
- x Additional function is compatible with programme

MAINTENANCE >

GENERAL MAINTENANCE >

From time to time it may be necessary to carry out some routine maintenance of your Dishwasher to ensure that it operates as intended. Before cleaning your Dishwasher:

- 1 Turn your mains power supply off and remove the plug from the socket.
- 2 Turn off the cold water supply.

CAUTION: Do not use solvents, abrasive cleaners, glass cleaners or all-purpose cleaning agents to clean your Dishwasher. They may damage the plastic surfaces and other components with the chemicals they contain.

External Casing:

- » Use a mild, non-abrasive cleaning agent, or soap and water, to clean the external casing. Wipe dry with a soft cloth.

Inside:

- » Use a suitable stainless steel cleaning agent to clean inside the Dishwasher. Follow the manufacturer's advice on the cleaning agent's packaging.
- » Wipe the door seals regularly with a damp cloth to remove any accumulated residue.
- » Clean the filters and spray arms at least once a week.

Extra Cleaning:

- » Oil and lime may build up in your Dishwasher over time. If this occurs, fill the detergent compartment with a cleaning agent designed for use with dishwashers, select a programme which runs at high temperature and run the Dishwasher empty.

Filters:

If any food waste remains on the coarse and fine filters, remove them and clean them thoroughly. To clean the filters:

- 1 Turn the filter assembly counter clockwise and lift it out (fig 17).
- 2 Lift the metal/plastic filter out.
- 3 Separate the coarse and micro filters by pulling them apart.
- 4 Rinse the filters under the tap until free of residue.
- 5 Replace the metal/plastic filter.
- 6 Line up the arrows on the coarse and micro filters and clip them together, then replace the filter assembly in the Dishwasher, turning it clockwise until it locks in position.

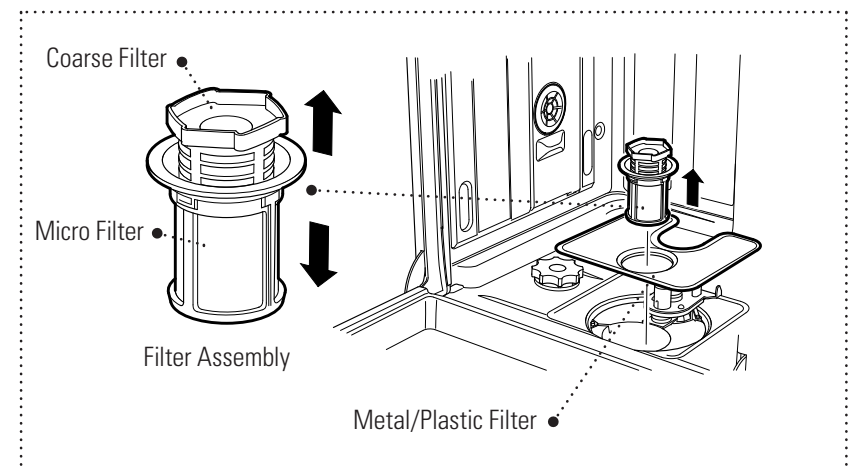


Figure 17

MAINTENANCE >

Spray Arms:

Your Dishwasher contains two spray arms (fig 18). One at the bottom of the Dishwasher and one on the underside of the upper basket.

Make sure that the spray holes are not clogged and that no food waste is stuck to the spray arms. If you need to clean the spray arms, remove them from the Dishwasher and clean them under water.

To remove the lower spray arm, pull it upwards. To replace it, push it firmly until it clicks into place.

To remove the upper spray arm, undo the nut holding it in position by turning it clockwise and pulling it downwards. To replace it, push it upwards into the mounting, then turn it counter clockwise until it clicks into position.

CAUTION: Make sure that the nut holding the upper spray arm in position is tight before operating the Dishwasher otherwise the spray arm could detach in use and damage any dishes in the lower basket.

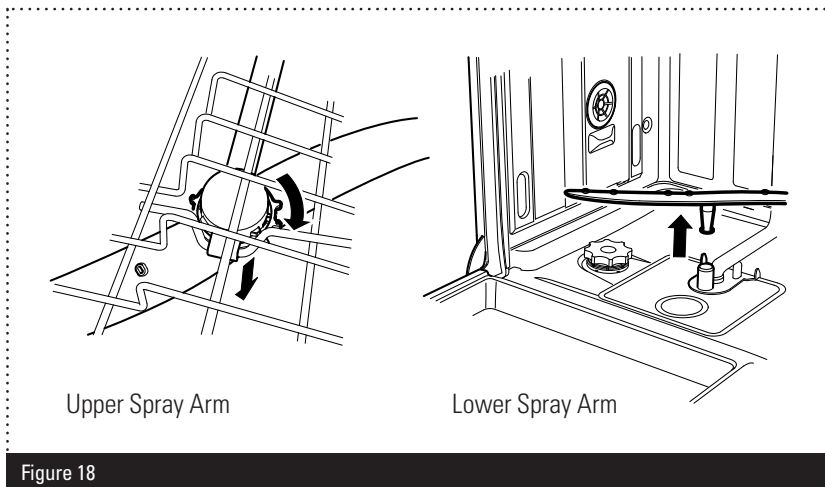


Figure 18

Water Inlet Filters:

Water inlet filters prevent dirt and foreign materials from entering your Dishwasher. It is recommended that these filters are cleaned when your Dishwasher is unable to receive sufficient water, although your water supply is on and the tap is open.

To clean the water inlet filters (fig 19):

- 1 Unscrew the water inlet hose from the Dishwasher by turning the hose anti-clockwise and gently pulling.
- 2 To remove the water inlet filter from the water inlet valve, use a pair of long-nosed pliers to gently pull on the plastic bar in the filter.

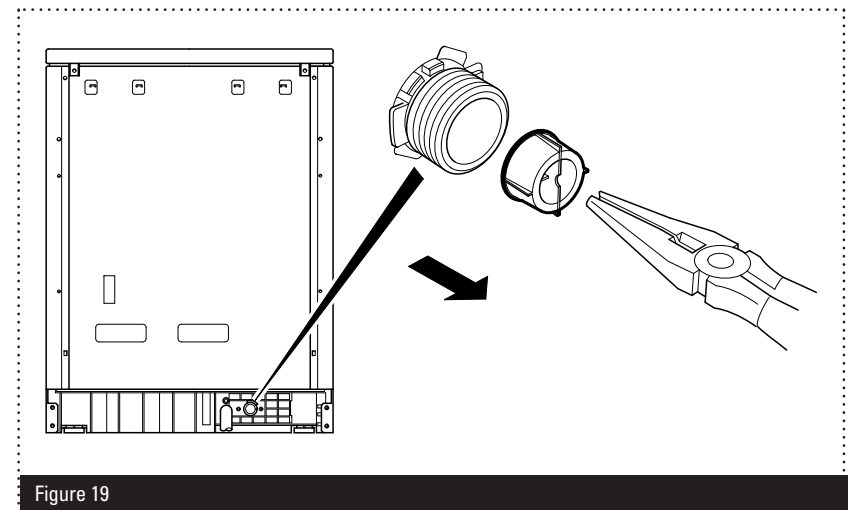


Figure 19

MAINTENANCE >

- 3 Clean the filter thoroughly with a soft brush, wash with soapy water and rinse thoroughly.
- 4 Re-insert the filter by gently pushing it back into place.

A second water inlet filter is located in the tap end of the water inlet hose.

To remove the second water inlet filter:

- 1 Use a pair of long-nosed pliers to gently pull on the plastic bar in the filter.
- 2 Clean the filter thoroughly with a soft brush and wash with soapy water and rinse thoroughly.
- 3 Re-insert the filter by gently pushing it back into place.

TROUBLESHOOTING >

TROUBLESHOOTING INFORMATION >

If your Dishwasher is not operating as expected, you may find a simple solution listed in the table below.

If your Dishwasher has developed a fault not covered in this manual, please contact Servis.

Fault	Possible Cause	Solution
Your Dishwasher does not operate.	It is switched off at the mains. The on/off switch is in the off position. The door is not shut properly.	Check that your Dishwasher is plugged in and turned on at the mains. If problem persists check your indoor fuses. Press the on/off switch and select the desired programme. Check that the door 'clicks' shut.
Your Dishwasher does not receive water.	The cold water supply tap is off. The water fill hose is bent, twisted, kinked or trapped.	Check that the cold water supply tap is fully turned on. Check that there are no bends, twists or kinks and that the fill hose is not trapped.

Fault	Possible Cause	Solution
Your Dishwasher does not receive water.	The door is not closed properly. The water inlet filters are blocked.	Close the door. Clean the water inlet filters (see page 44 for detailed instructions).
Your Dishwasher is not draining water.	The drain hose is bent, twisted, kinked or trapped. The filters are blocked. The programme is not finished.	Check the drain hose and straighten out any kinks, twists or bends. Clean the filters (see page 42 for detailed instructions). Leave the Dishwasher until the programme is finished.
Your Dishwasher stops during a wash operation.	The programme delay is set. The water fill hose is bent, twisted, kinked or trapped. There is a power failure.	Wait for the delay to finish, or reset the delay period (see page 31 for detailed instructions). Check that there are no bends, twists or kinks and that the fill hose is not trapped. Wait for the power to come back on. If necessary, re-run the programme.

TROUBLESHOOTING >

Fault	Possible Cause	Solution
Your Dishwasher is vibrating.	The feet of your Dishwasher are not correctly adjusted.	Adjust the feet (see page 09 for further information).
Knocking noises are coming from inside your Dishwasher during a wash programme.	Dishes are placed incorrectly or are loose in the Dishwasher.	Press the Start/Pause button to pause the programme. Open the Dishwasher (CAUTION: the interior will be hot and steam may come out) and rearrange the dishes.
	The spray arm is hitting the dishes in the lower basket.	Pause Dishwasher, as described above, and move or remove items blocking the spray arm.
White stains left on dishes after washing.	Not enough detergent used.	Use more detergent.
	Rinse aid dosage set too low.	Increase rinse aid dosage setting (see page 24 for further information).
	No special salt is being used, despite high water hardness level.	Use Dishwasher salt recommended for the water hardness level in your area.
	Water softener setting set too low.	Set the water softener level to a higher setting (see page 20 for further information).

Fault	Possible Cause	Solution
White stains left on dishes after washing.	Salt compartment cap not closed properly.	Close salt compartment cap properly.
Food waste left on dishes after washing.	Too much food waste left on dishes when they are placed in the Dishwasher.	Remove coarse residues and food waste from your dishes before placing your dishes in the Dishwasher.
	Not enough detergent used.	Use more detergent.
	Wrong wash programme selected.	Use a more powerful wash programme.
	Spray arms clogged with food waste.	Clean spray arms (see page 43 for further information).
	Filters clogged.	Clean filters (see page 42 for further information).
	Filters incorrectly fitted.	Check filters are correctly fitted.
	Water drain pump clogged.	Remove filters and clear water drain.
Basket overloaded.	Do not overload baskets.	

TROUBLESHOOTING >

Fault	Possible Cause	Solution
Food waste left on dishes after washing.	Dishes placed incorrectly, sprayed water not reaching affected dishes.	Do not overload baskets.
	Dishes leaning against one another.	Do not overload baskets.
Detergent residue left in detergent compartment.	Detergent was added when detergent compartment was wet.	Make sure detergent compartment is dry before use.
Dishes aren't dry.	Programme without a dry operation selected.	Select another programme.
	Rinse aid dosage set too low.	Increase rinse aid dosage setting (see page 24 for further information).
	Dishes unloaded too fast.	Allow dishes to stand before unloading the Dishwasher.
Rust stains on dishes.	Salt compartment cap not closed properly.	Close salt compartment cap properly.
	Too much salt spilled in the Dishwasher while filling it with salt.	Clean excess salt from the Dishwasher.
	High level of salt in wash water.	Contact your water company.

Fault	Possible Cause	Solution
Rust stains on dishes.	Satinless-steel quality of dishes is insufficient.	Contact the manufacturer of the dishes. Alternatively, do not wash the affected dishes in your Dishwasher.
	Unhealthy mains grounding.	Consult a qualified electrician immediately.
Scratched glasses.	Too much detergent used.	Use less detergent.
	Salt compartment cap not closed properly.	Close salt compartment cap properly.

If problems persist or you experience any malfunctions not described here, contact an authorised Servis engineer.

INNER LIGHT MODES >

When the Dishwasher is on and the door is opened, the inner light goes out after 4 minutes or when the door is closed. This is to minimise energy consumption. You can change this setting if required.

Note: The Dishwasher must be on when you change the inner light mode.

How to change from Eco mode to Normal mode for inner light option

- 1 Press the **Option** and **Delay** buttons simultaneously for 3 seconds to enter the Settings menu..
- 2 Use the Up or Down buttons to select option 5. Ecomode.
- 3 Press the **Confirmation** button to enter the Ecomode submenu.
- 4 Use the Up or Down buttons to select the Ecomode:No option.
- 5 Press the **Confirmation** button to confirm the selection.

After Normal mode is selected, the inner light will stay on when the Dishwasher is on and the door is open.

PRODUCT FICHE >

Supplier's trade mark	SERVIS
Supplier's model	DN61039SS/DN61039W
Capacity of dishwasher	15
Energy efficiency class	A+++
Annual energy consumption in kWh per year (AEc) (280 Cycle)*	239
Energy consumption (E_c) (kWh per cycle)	0.84
Off mode power consumption (W) (P_o)	0.05
Left on mode power consumption (W) (P₁)	0.67
Annual water consumption in litres per year (AW_c) (280 Cycle)**	2520
Drying efficiency class***	A
Standard programme name****	Eco 50°C
Programme time for standard cycle (min)	176
Noise dB(A)	39

Notes

* Energy consumption 239 kwh per year, based on 280 standard cleaning cycles using cold water fill and the consumption of low power modes. Actual energy consumption will depend on how the appliance is used.

** Water consumption 2520 litres per year based on 280 standard cleaning cycles. Actual water consumption will depend on how the appliance is used.

*** Drying efficiency class A on a scale from G (least efficient) to A (most efficient).

**** The Eco 50°C is the standard cleaning cycle to which the information in the label and fiche relates. It is the most efficient program in terms of combined energy and water consumption.

GUARANTEE >

DISPOSAL OF YOUR OLD DISHWASHER >

All packaging and materials used are environmentally friendly and recyclable. Please dispose of any packaging in an environmentally friendly manner. Consult your local council for further details.

To ensure safety when disposing of an old Dishwasher, cut off the main power supply cable and break the door hinges or lock.



Please refer to the rear cover for disposal instructions.

GUARANTEE >

The Servis guarantee covers the cost of parts/labour/call out charges to repair an appliance should any covered component fail in its normal functions necessitating a repair or replacement to resume those functions.

The Servis guarantee **does not** cover:

- » Accidental damage.
- » Use in a commercial environment.
- » Incorrect or faulty installation.
- » Deliberate damage or neglect.
- » Repairs to cosmetic parts.
- » Damage caused by foreign objects or substances.
- » Claims in respect to routine inspection or maintenance.

The Servis guarantee is not transferable.

For your Servis guarantee to be valid, you will need to retain your original purchase receipt and be able to provide it when you make a claim.

The above summary does not include all of the terms and conditions and exclusions which can be found on our website www.servis.co.uk.

KNOW YOUR RIGHTS >

Household contents insurance

Your household insurance may cover you for accidental damage, fire or theft of your product.

Data Protection Act (1988)

Please note that any information provided will be processed by us or our agents in compliance with the provisions of the Data Protection Act 1988, for the purpose of providing cover and handling claims, if any, which may necessitate providing such information to third parties.

INDEX >

A

Adding detergent	29
Adding rinse aid	24
Adding salt	23
Additional options	32
Adjusting the feet	09
Adjusting the upper basket	28
Alarm volume settings	22

C

Child lock	31
Cleaning	39
Combined detergents	30
Connection, drain hose	11
Connection, electrical	13
Connection, water supply	10
Control panel	19

D

Delay time/finish time function	31
Detergent drawer	29
Display brightness settings	22
Disposal	53
Drain hose connection	11
Drying, extra	32

E

Ecomode setting	22
Electrical connection	13
Extra drying	32
Extra fast	32
Extra hygiene	32
Extra silent	32

F

Factory settings	22
Fast, extra	32
Feet, adjusting	09
Filling with detergent	29
Filling with rinse aid	24
Filling with salt	23
Filters, cleaning	40
Front view	15

G

General maintenance	39
Guarantee	53

H

Half load	32
Hardness levels	20

I

Inner Light Modes	51
Installation requirements	08
Items included	01

L

Language selection setting	22
Loading your dishwasher	25

P

Pausing a programme	19
Preparing your dishwasher for first use	14
Product Fiche	52
Programmes	33

R

Rear view	16
Rinse aid, filling with	24
Running your dishwasher	31

S

Safety instructions	02
Salt, filling with	23
Screen brightness	22
Selecting a programme	31
Setting up your dishwasher	19
Settings menu	21
Silent, extra	32
Sound adjustment	22
Spray arms, cleaning	41
Stain removal information	47
Starting your dishwasher	31

T

Tablet detergent	32
Technical specification	07
Troubleshooting information	45

W

Warranty	01
Water inlet filter	42
Water softener level	20
Water supply connection	10

T: 0333 577 7232
E: info@servis.co.uk
For a softcopy of this user manual please contact www.Servis.co.uk

 Visit
servis.co.uk

SERVIS
EFFICIENCY BY DESIGN



The symbol on the product or on its packaging indicates that this product may not be treated as household waste. Instead it shall be handed over to the applicable collection point for the recycling of electrical and electronic equipment. By ensuring this product is disposed of correctly, you will help prevent potential negative consequences for the environment and human health, which could otherwise be caused by inappropriate waste handling of this product. For more detailed information about recycling of this product, please contact your local city office, your household waste disposal service or the shop where you purchased the product.