

Nordic - 5x2 Drawer Chest

Assembly Instructions - Please keep for future reference

1445925



Dimensions

Width : 83,5 cm

Depth : 39,7 cm

Height : 104,2 cm

Important - Please read these instructions fully before starting assembly

If you need help or have damaged or missing parts, call the Customer Helpline: 0845 640 30 30



Safety and Care Advice

Important - Please read these instructions fully before starting assembly

- Check you have all the components and tools listed on pages 3 and 4.
- Remove all fittings from the plastic bags and separate them into their groups.
- Keep children and animals away from the work area, small parts could choke if swallowed.
- Make sure you have enough space to layout the parts before starting.

- Do not stand or put weight on the product, this could cause damage.
- Assemble the item as close to its final position (in the same room) as possible.
- Assemble on a soft level surface to avoid damaging the unit or your floor.
- Parts of the assembly will be easier with 2 people.



- We do not recommend the use of power drill/drivers **for inserting screws**, as this could damage the unit. Only use hand screwdrivers.
- Dispose of all packaging carefully and responsibly.

Care and maintenance

- Only clean using a damp cloth and mild detergent, do not use bleach or abrasive cleaners. °
- From time to time check that there are no loose screws on this unit.
- This product should not be discarded with household waste. Take to your local authority waste disposal centre.

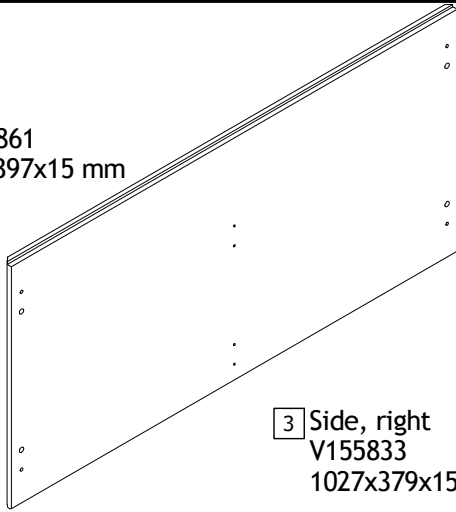
Note: if required the next page can be cut out and used as reference throughout the assembly. Keep this page with these instructions for future reference.

Components - Panels

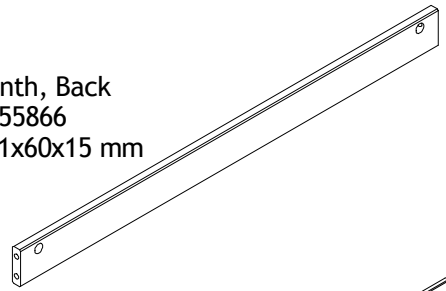
If you have damaged or missing components, call the **Argos Customer Helpline: 0845 640 30 30**

Please check you have all the panels listed below

1 Top
V155861
835x397x15 mm



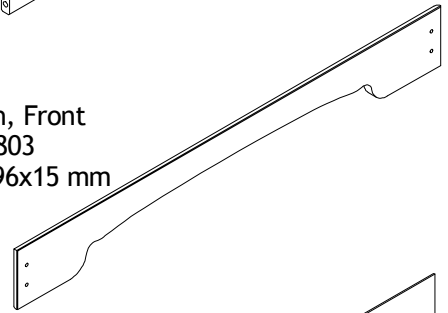
4 Plinth, Back
P155866
781x60x15 mm



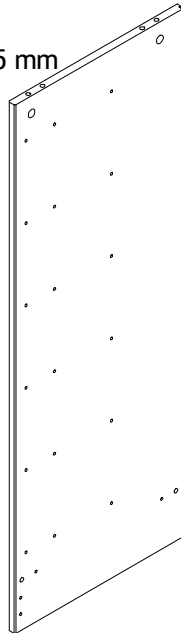
3 Side, right
V155833
1027x379x15 mm



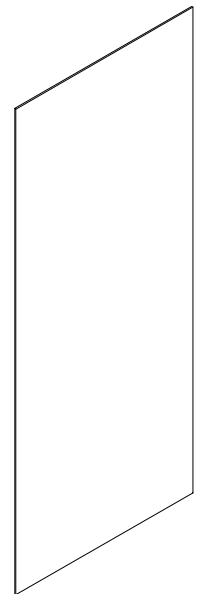
5 Plinth, Front
V155803
793x96x15 mm



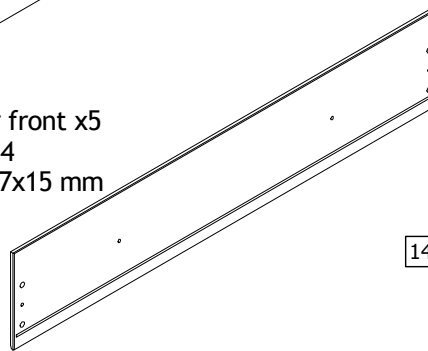
2 Side, left
V155834
1027x379x15 mm



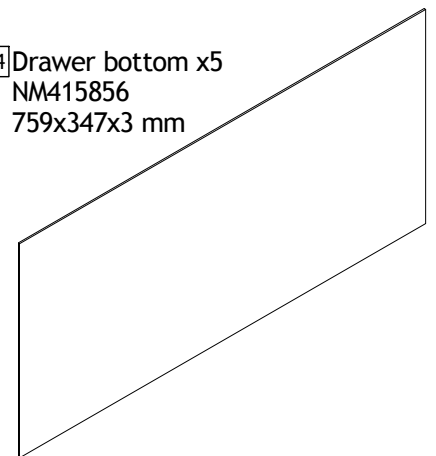
7 Back x2
NM415858
944x397x3 mm



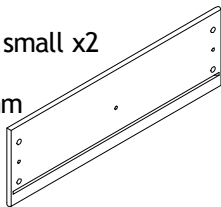
9 Drawer front x5
V155814
793x157x15 mm



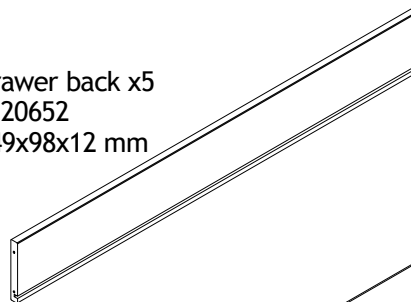
14 Drawer bottom x5
NM415856
759x347x3 mm



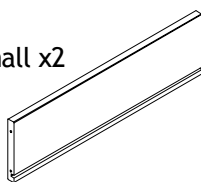
8 Drawer front, small x2
V155810
395x125x15 mm



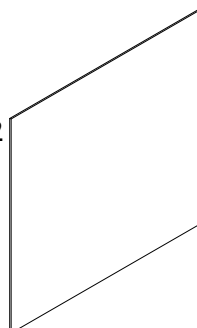
11 Drawer back x5
S120652
749x98x12 mm



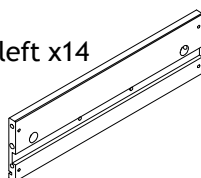
10 Drawer back, small x2
S120650
351x98x12 mm



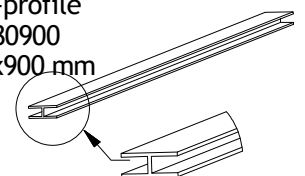
13 Drawer bottom x2
NM415850
361x347x3 mm



12 Drawer side, right/left x14
S120653
350x98x12 mm



15 H-profile
B80900
4x900 mm

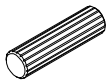
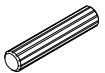
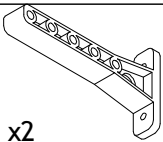


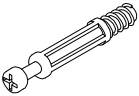
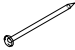
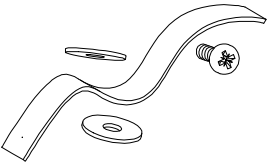
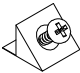
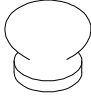



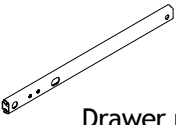

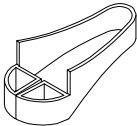



Components - Fittings

If you have damaged or missing components, call the **Argos Customer Helpline: 0845 640 30 30**

Please check you have all the panels listed below

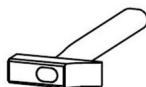
Note: The quantities below are the correct amount to complete the assembly. In some cases more fittings may be supplied than are required.

<p>A</p>  <p>BA10390 ø8x30 mm Wooden dowel x6</p>	<p>B</p>  <p>BA10400 ø6x30 mm Wooden dowel x28</p>	<p>L</p>  <p>B561300 Drawer support x2</p>
<p>R</p>  <p>BA10170 ø4,0x35 mm x40</p>	<p>C</p>  <p>BA10590 ø15x9,5 mm Cam x20</p>	<p>D</p>  <p>BA10603 ø5/11x34 mm Bolt x20</p>
<p>i</p>  <p>BA10025 ø1,2x20 mm Nail x50</p>	<p>J</p>  <p>BA182002 Wallstrap and instruction x1</p>	<p>F</p>  <p>BA10833 Back fitting W. 15x15x10 mm screw x14</p>
<p>G</p>  <p>BA10468 ø40x30 mm Wooden knob x12</p>		<p>H</p>  <p>BA10191 M4x9 mm screw x14</p>
<p>K</p>  <p>BA10270 ø5,8x8 mm screw x40</p>	<p>E</p>  <p>BA10240 ø6,1x11,5 mm screw x8</p>	<p>S</p>  <p>B14359 17x246 mm Drawer runner x14</p>
<p>V</p>  <p>BA10801 Angle20x20x2 x4</p>	<p>Y</p>  <p>Ba10688 Nail holder x1</p>	<p>O</p>  <p>BA10154 4,0x16 mm screw x4</p>

Tools required



Flatblade screwdriver
(Medium)



Hammer



Phillips screwdriver
(Medium & large)

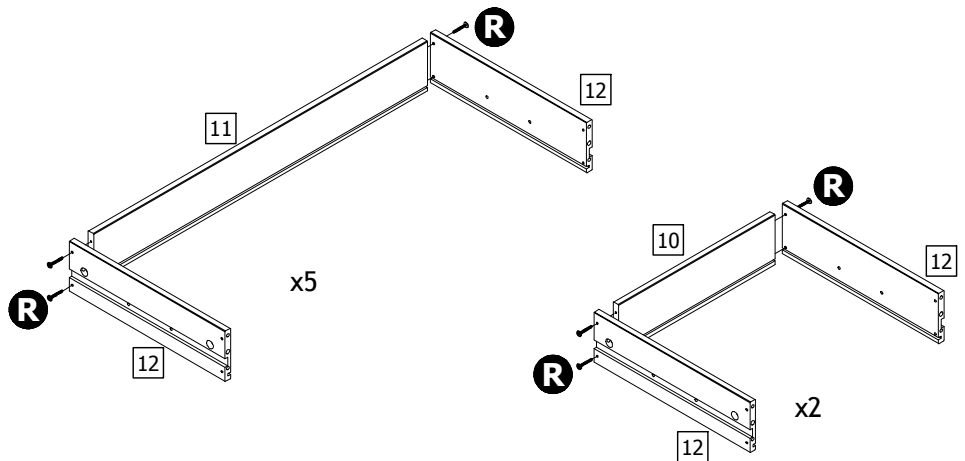
Ruler - Use this ruler to help correctly identify the screws



Assembly Instructions

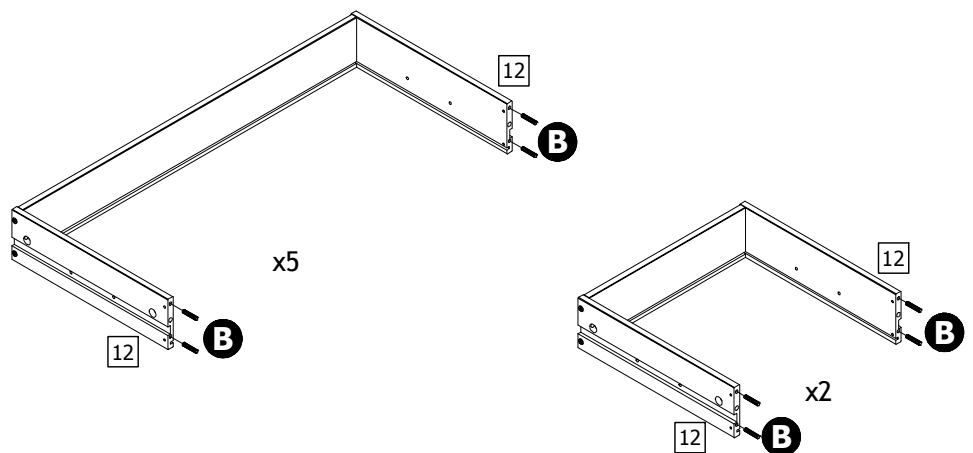
Step 1

Fix the drawer sides 12 to the drawer backs 10 and 11 as shown, using screws R.



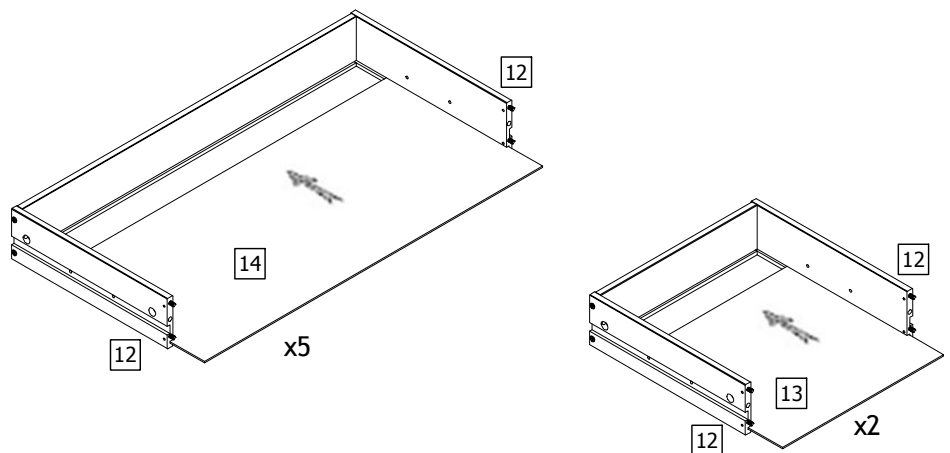
Step 2

Knock the dowels B into the holes indicated on the drawer sides 12 using a small hammer.



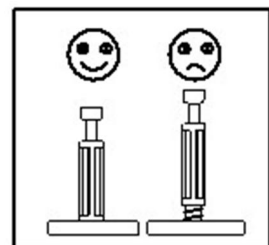
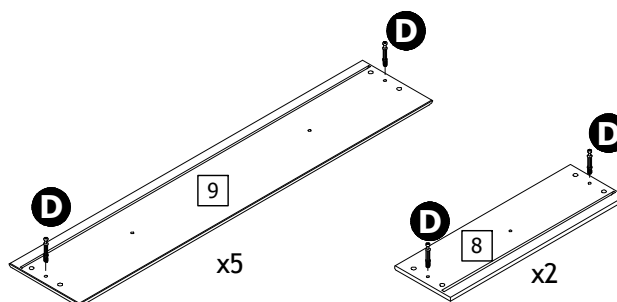
Step 3

Slide the drawer bottoms 13 and 14 into the drawer sides 12.



Step 4

screw the bolts D into the holes indicated on the drawer fronts 8 and 9.



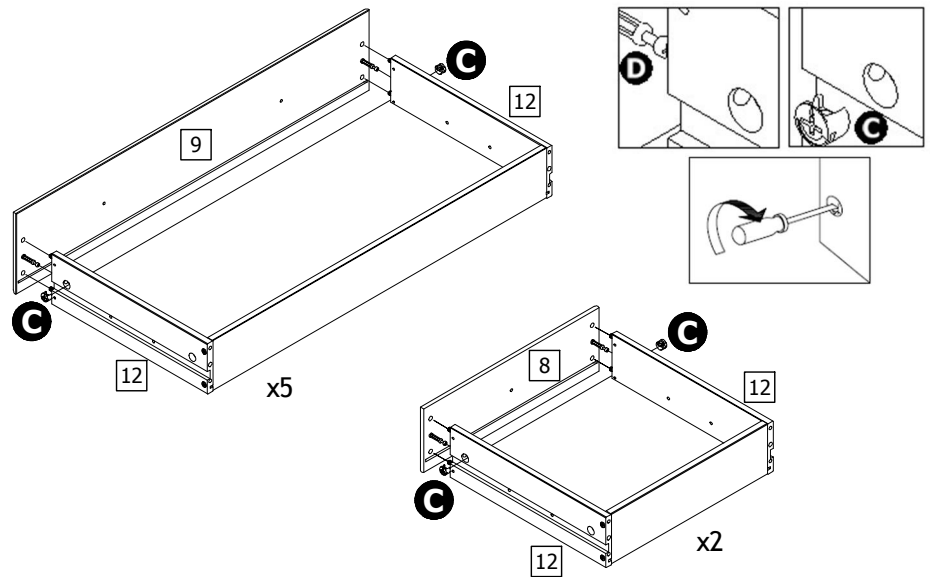
Assembly Instructions

Step 5

Push the drawer fronts 8 and 9 onto the drawer sides 12 as shown.

Push the cams C into the holes indicated. Arrow pointing towards the front.

Turn the cams C to the right to fix the fronts 8 and 9.



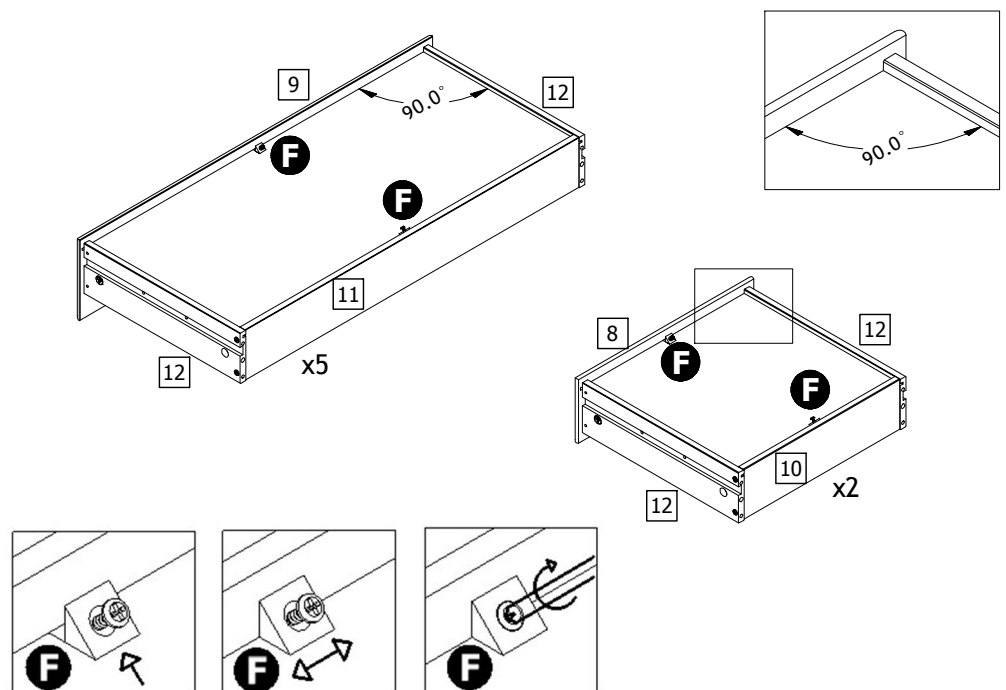
Step 6



Important! Make sure the angle between the drawer fronts 8 and 9 and the drawer sides 12 is 90° before the drawer bottoms 13 and 14 is fixed.

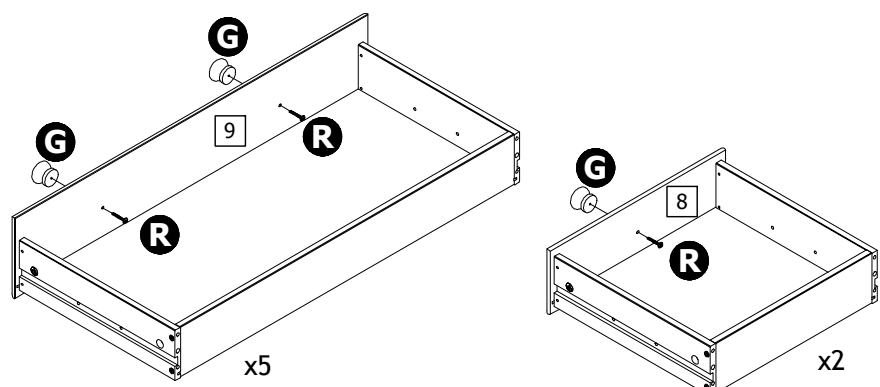
Fix the drawer bottoms 13 and 14 to the drawer backs 10 and 11 and the drawer fronts 8 and 9 using F.

To adjust the angle between the drawer sides and the drawer fronts push the fitting F sideways. See details.



Step 7

Fix the Wooden knobs G to the drawer fronts 8 and 9 using screws R.



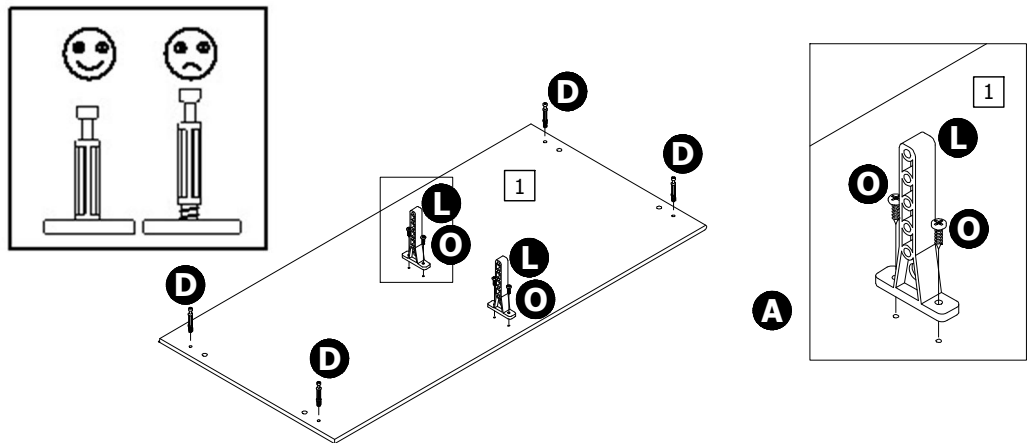
Assembly Instructions

Step 8

Screw the bolts D into the holes indicated on top 1.

Fit the drawer support L to the top 1 using screws O through the holes indicated. See details.

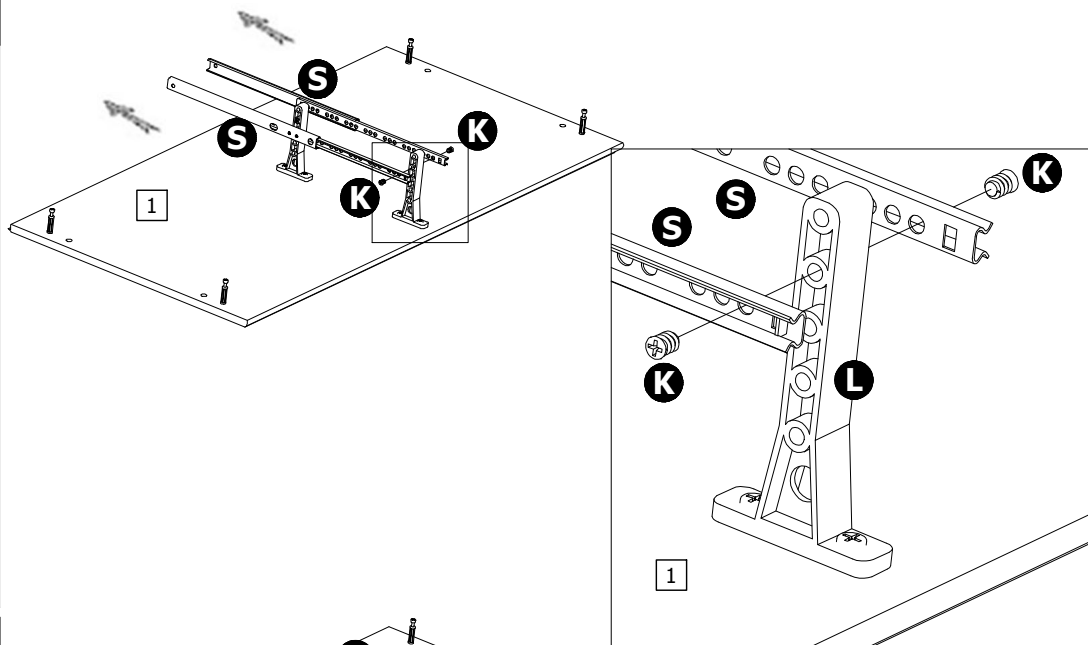
Knock down the dowels A into the holes indicated on back plinth 4.



Step 9

Slide the top of the drawer runners S backwards.

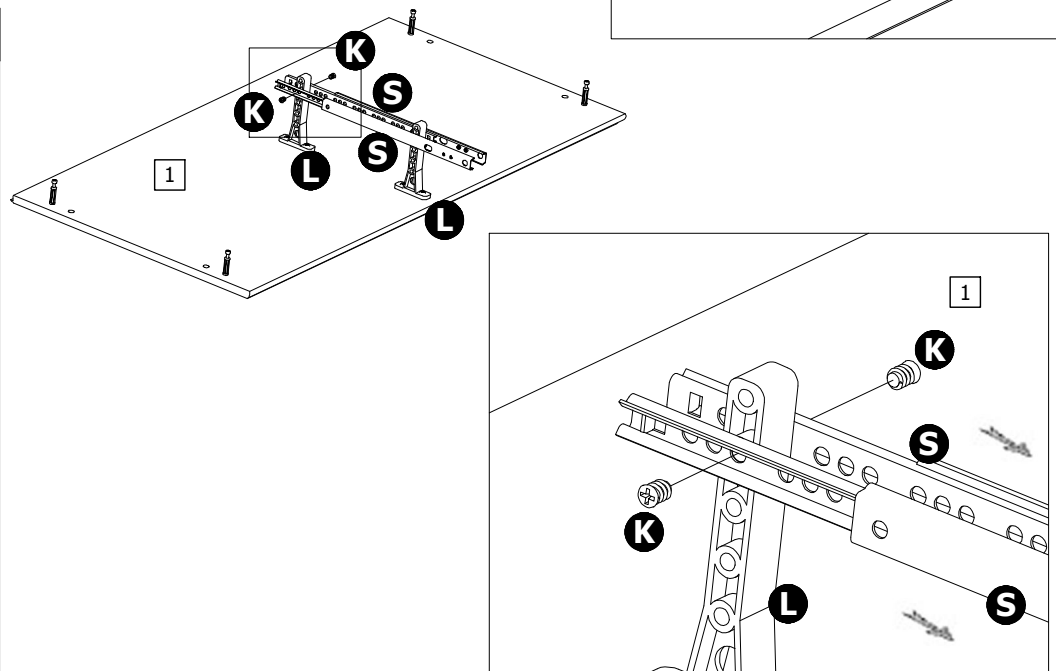
Fix the front end of the drawer runners S (on both sides) to the drawer support L into the hole indicated, using screws K.



Step 10

Slide the drawer runners S forwards.

Fix the backend of the drawer runners S (on both sides) to the drawer support into the hole indicated, using screw K. See details.



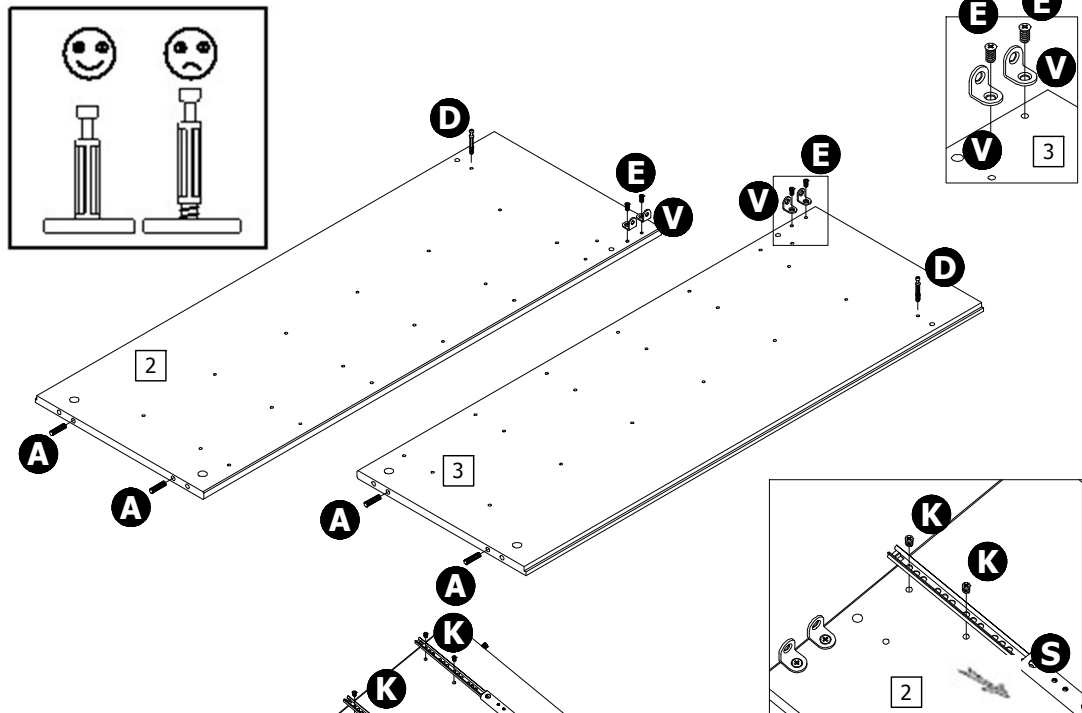
Assembly Instructions

Step 11

Screw the bolts D into the holes indicated on the sides 2 and 3.

Fix the angle V to the sides 2 and 3 using screws E. Place the angles as shown. See details.

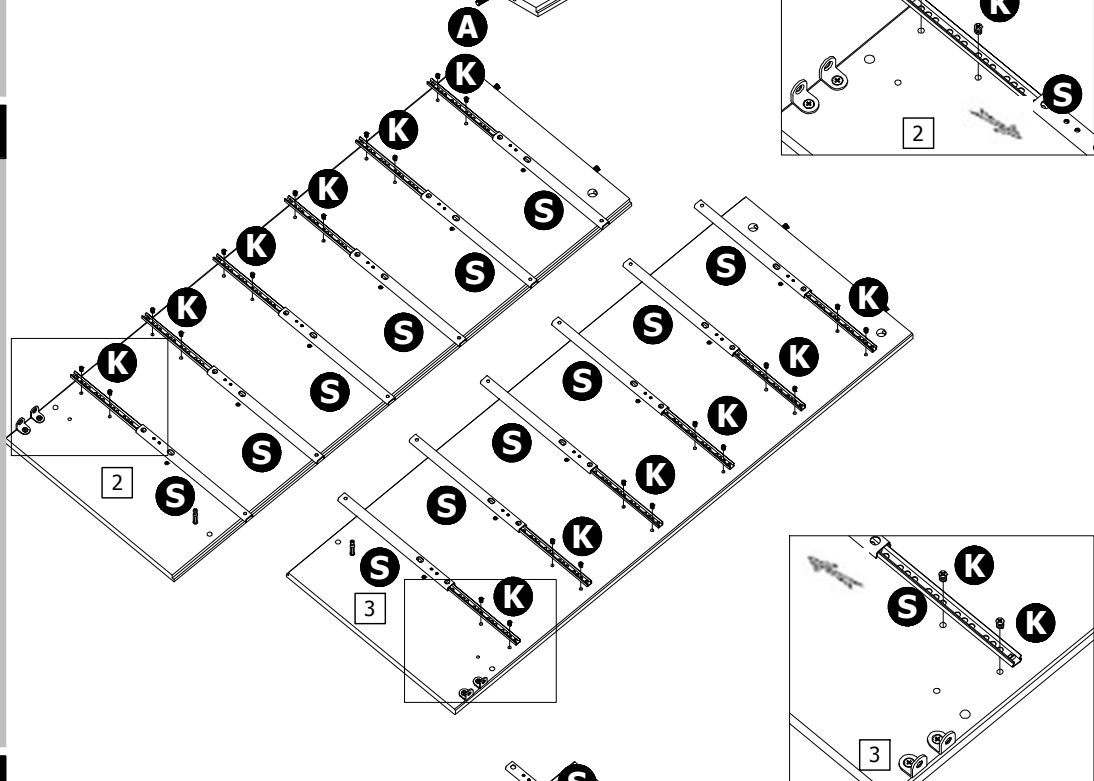
Knock down the dowels A into the holes indicated on the sides 2 and 3 using a small hammer.



Step 12

Slide the top of the drawer runners S backwards.

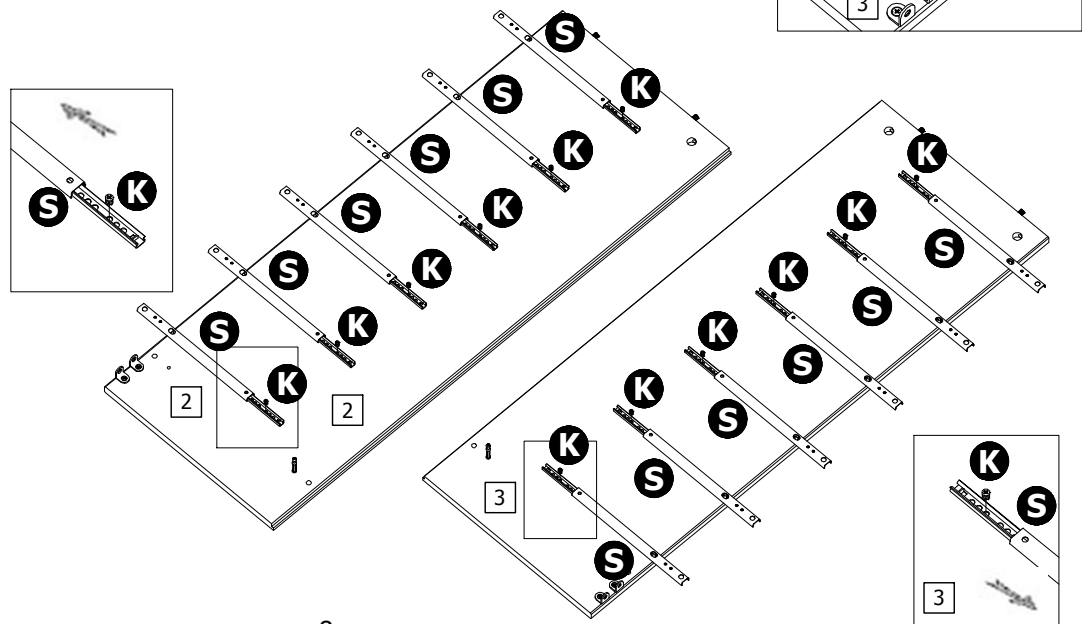
Fix the front end of the drawer runners S to the sides 2 and 3 using screws K through the holes indicated. See details.



Step 13

Slide the top of the drawer runners S forwards.

Fix the backend of the drawer runners S to the sides 2 and 3 using screws K through the holes indicated. See details.



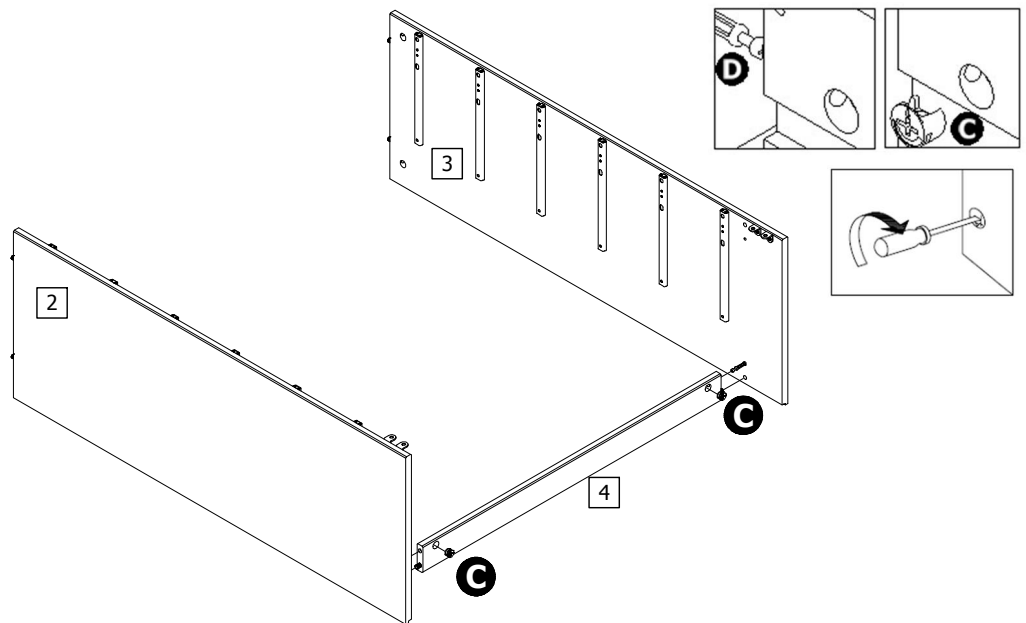
Assembly Instructions

Step 14

Fix the back plinth 4 to the sides 2 and 3.

Push cams C into the holes indicated on the back plinth 4.
Arrow pointing towards sides 2 and 3.

Turn the cams C to the right to fix the sides 2 and 3.

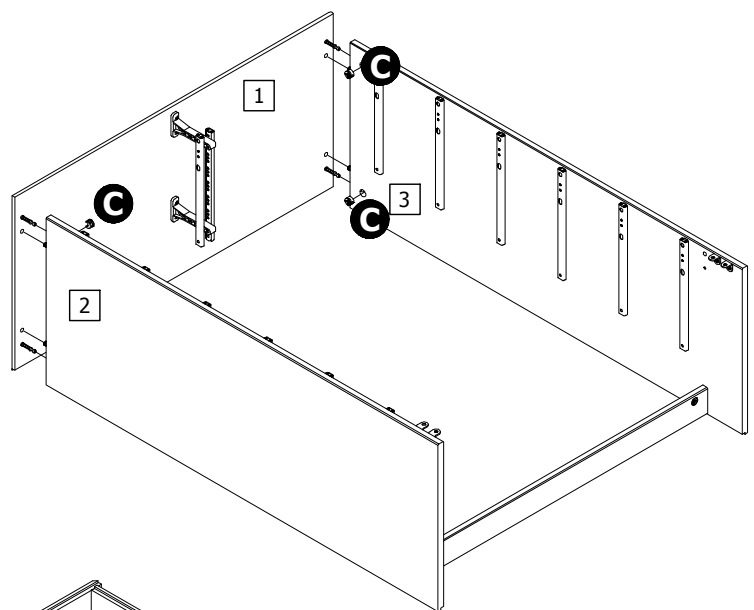


Step 15

Press the top 1 onto the sides 2 and 3.

Push cams C into the holes indicated on the sides 2 and 3.
Arrow pointing towards the top 1.

Turn the cams C to the right to fix the top 1.

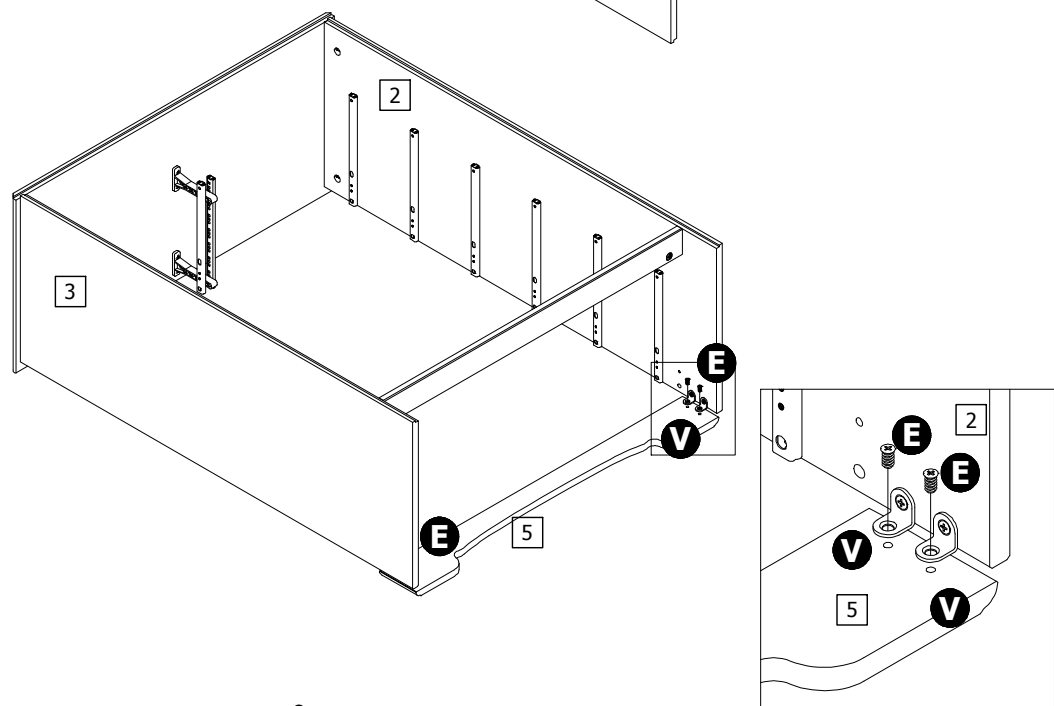


Step 16

Turn around the chest so that it lies on its front edge.

Place the front plinth 5 as shown.


Fix the front plinth 5 to the sides 2 and 3 using screws E into the angles V.
See details.



Assembly Instructions

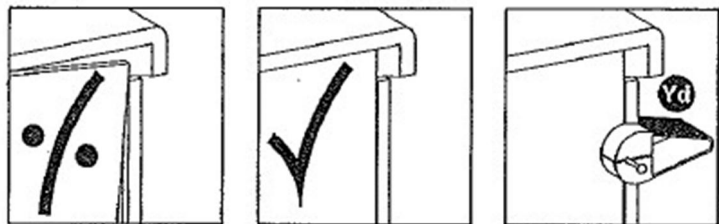
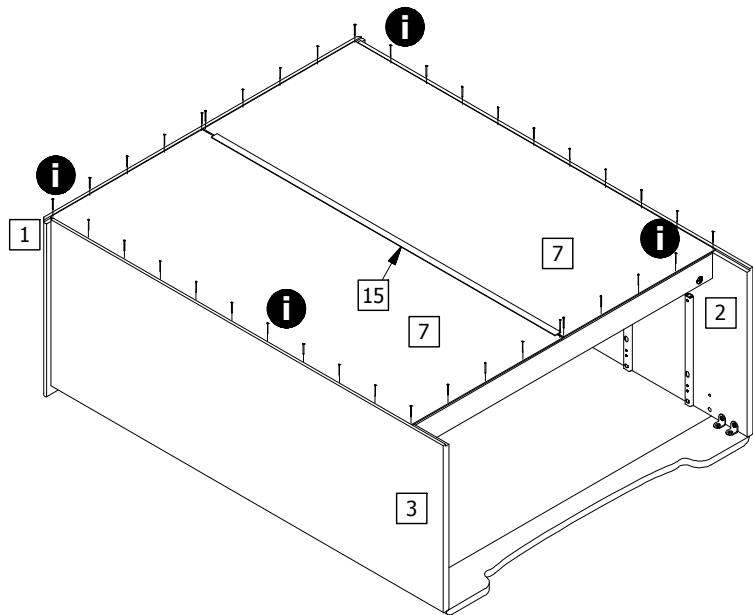
Step 17

Place the backs 7 into the rebates in the top 1, the sides 2 and 3 and into the H profile 15.


 **Important!** Make sure the angle between the top and the sides is 90° when the back is attached.

Fix the backs to the sides, top and bottom using nails i.

Use the nail holder Yd and a small hammer.

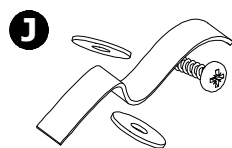


Step 18

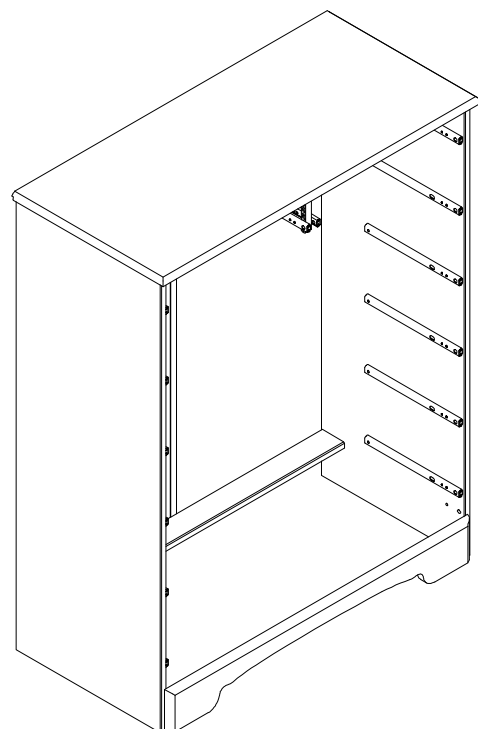
 **Warning!** The chest of drawer is heavy. Lift with care

It's recommended that the chest is fixed to the wall.

Use the fittings J. Follow the instructions included with the fittings.



wallstrap and instruction



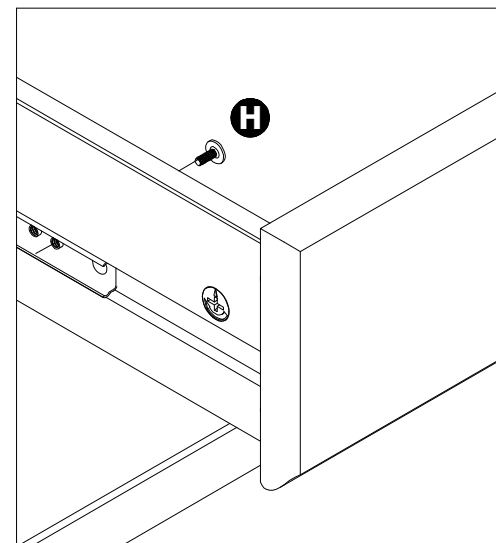
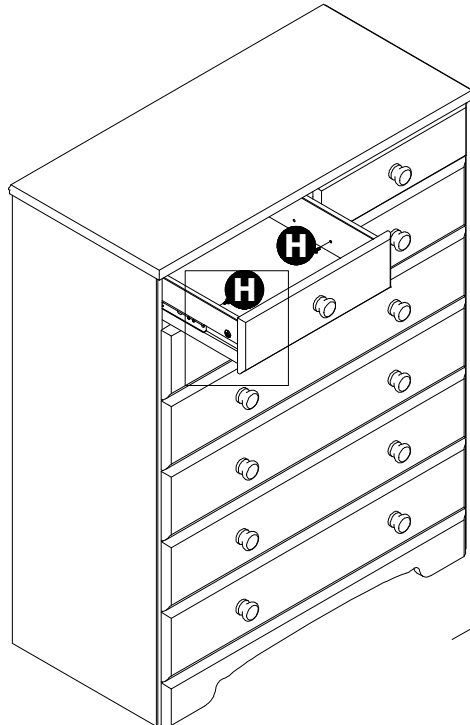
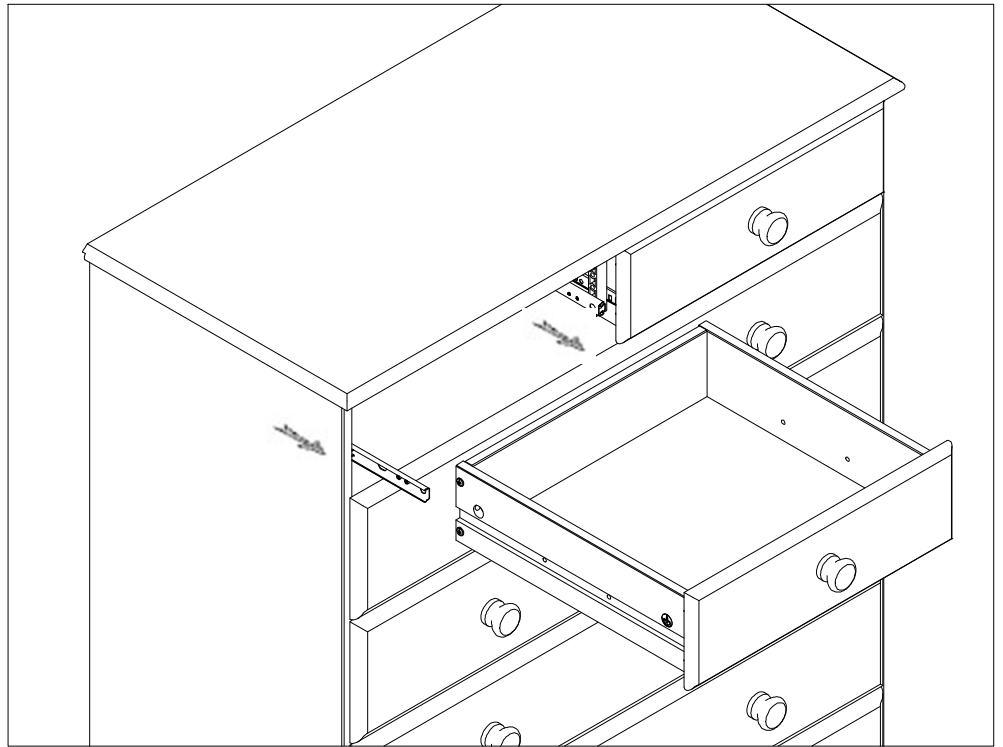
Assembly Instructions

Step 19

Pull out the drawer runners. Slide the drawers onto the drawer runners.

Fit and fix the lower drawer first and work your way up.

Fix drawers to drawer runners using screws H.



If you need help or have damaged or missing parts, **call the Customer Helpline: 0845 640 30 30**
Home Retail Group - 489-499 Avebury Boulevard - Saxon Gate West - Central Milton Keynes MK9 2NW