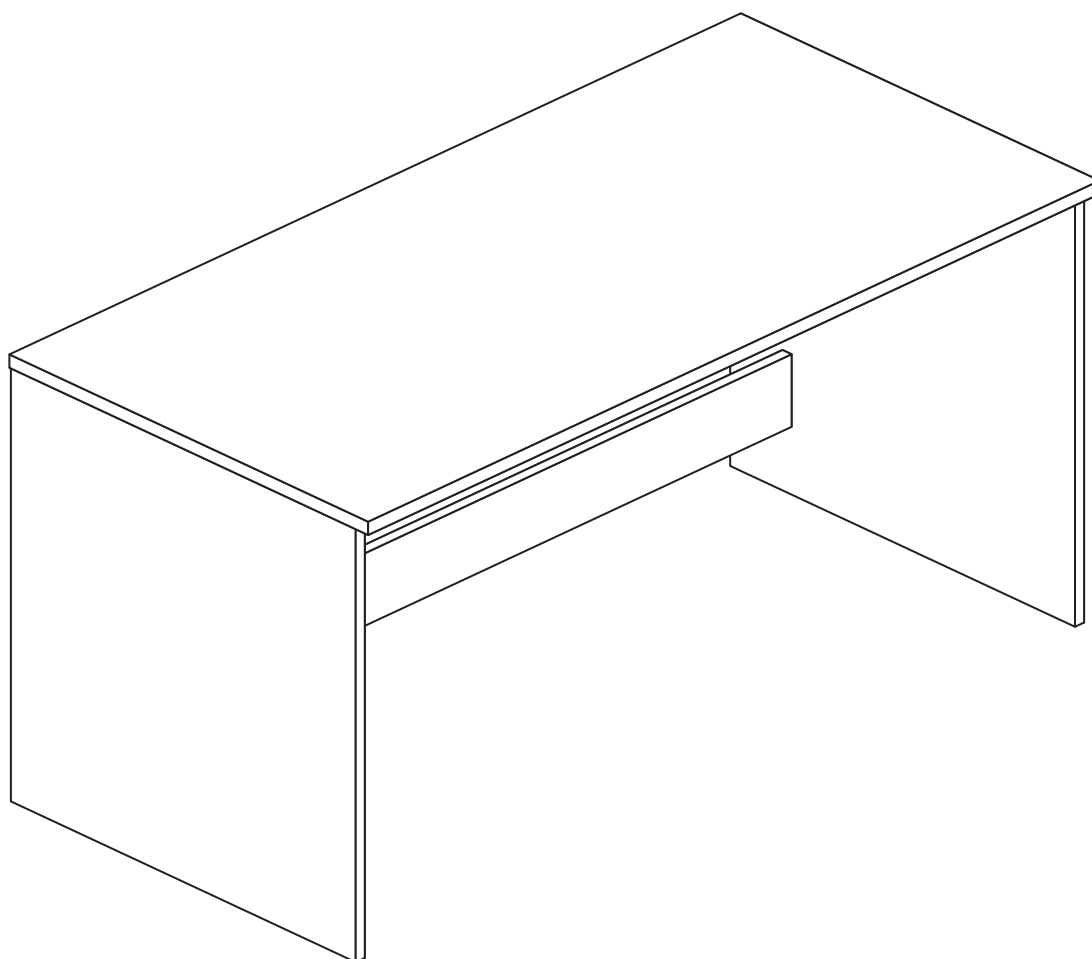


Walton - Desk

Assembly Instructions - Please keep for future reference

143/6886



Dimensions

Width - 121cm

Depth - 59.5cm

Height - 74cm



**MADE IN
BRITAIN**

Important - Please read these instructions fully before starting assembly

If you need help or have damaged or missing parts, call the **Customer Helpline: 08456 400800**



Safety and Care Advice

Important - Please read these instructions fully before starting assembly

- **Warning:** This unit weighs approximately 22kgs. Please lift with care.

- Check you have all the components and tools listed on pages 2 and 3.

- Remove all fittings from the plastic bags and separate them into their groups.

- Keep children and animals away from the work area, small parts could choke if swallowed.

- Parts of the assembly will be easier with 2 people.

- Make sure you have enough space to layout the parts before starting.

- Do not stand or put weight on the product, this could cause damage.

- Assemble the item as close to its final position (in the same room) as possible.

- Assemble on a soft level surface to avoid damaging the unit or your floor (use opened out unit carton).



- We do not recommend the use of power drill/drivers **for inserting screws**, as this could damage the unit. Only use hand screwdrivers.

- **Safety note:** If there is any chance of this unit being pulled over by children etc. it is recommended that the unit is secured to a wall using suitable fixings (not supplied).

- Dispose of all packaging carefully and responsibly.

Care and maintenance

- Only clean using a damp cloth and mild detergent, do not use bleach or abrasive cleaners.

- From time to time check that there are no loose screws on this unit.

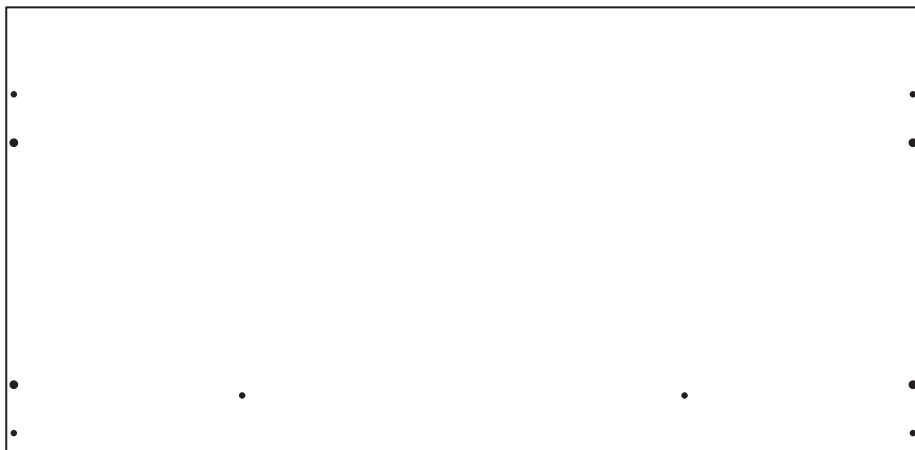
- This product should not be discarded with household waste. Take to your local authority waste disposal centre.

Note: If required the next page can be cut out and used as reference throughout the assembly. Keep this page with these instructions for future reference.

Components - Panels

If you have damaged or missing components, call the **Customer Helpline: 08456 400800** quoting the reference numbers below

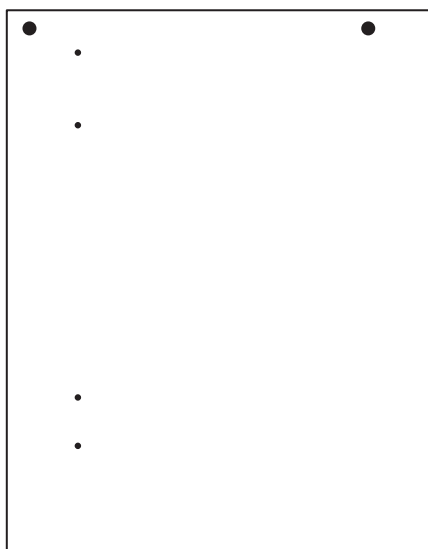
Please check you have all the panels listed below



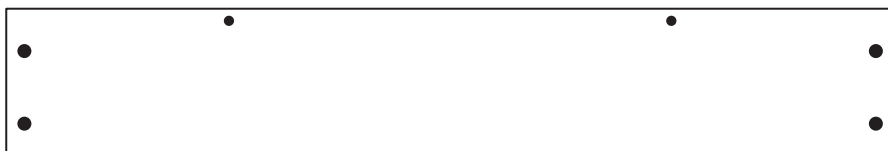
1 Top (D1429A)
(1209 x 593mm)



2 Left Side (D1432A)
(718 x 570mm)



3 Right Side (D1433A)
(718 x 570mm)



4 Top Rail (D1430A)
(1174 x 192mm)



5 Base Rail (D1431A)
(1174 x 120mm)



Components - Fittings

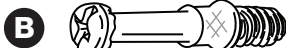
If you have damaged or missing components, call the **Customer Helpline: 08456 400800** quoting the reference numbers below

Please check you have all the fittings listed below

Note: The quantities below are the correct amount to complete the assembly. In some cases more fittings may be supplied than are required.



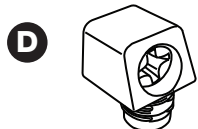
Wooden dowel (F22) x 4



Metal dowel (F901) x 12

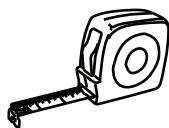


Large locking nut (F900) x 12



Mini block (F25) x 2

Tools required



Rule



Cross-head screwdriver



Scissors

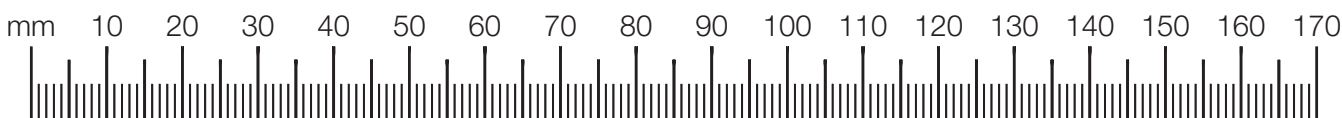


Hammer



Eye protection (when using a hammer or drill)

Ruler - Use this ruler to help correctly identify the screws



Assembly Instructions

If you have damaged or missing components, call the
Customer Helpline: 08456 400800 quoting the reference
numbers below

Step 1

Prepare the left side

Tap 2 wooden dowels **A** into the left side **2**.

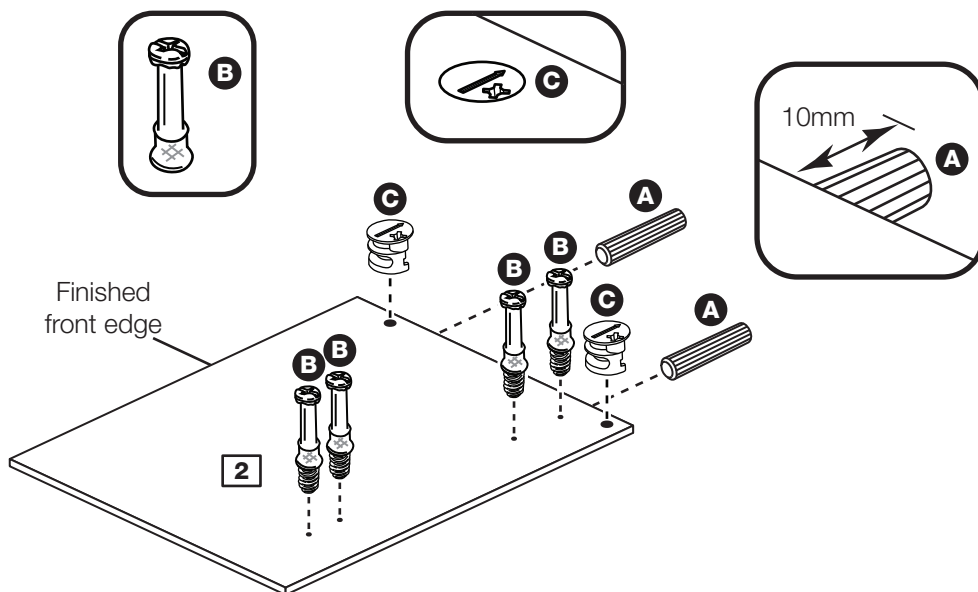
Note: Wooden dowels **must not** stick out from the edge by more than 10mm or they may damage other panels.

Screw 4 metal dowels **B** into the left side **2**.

Note: Tighten the metal dowels up fully against the panels.

Insert 2 large locking nuts **C** into the left side **2**.

Note: The arrow on the locking nut **must** point towards the hole in the edge of the panel.



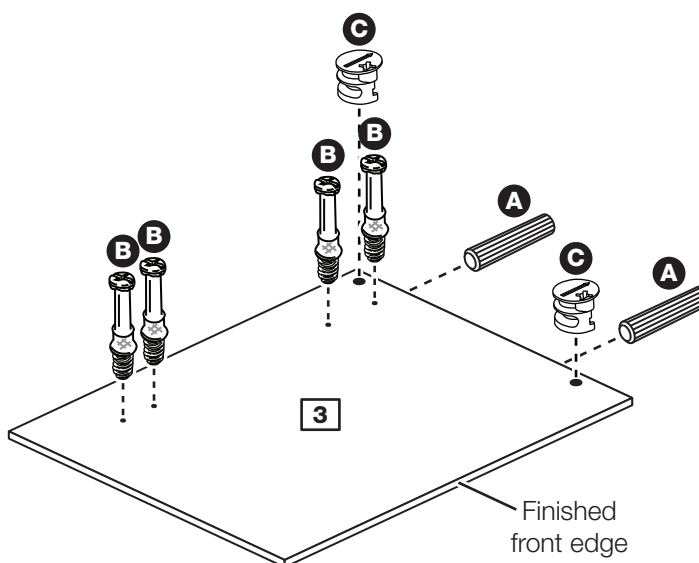
Step 2

Prepare the right side

Tap 2 wooden dowels **A** into the right side **3**.

Screw 4 metal dowels **B** into the right side **3**.

Insert 2 large locking nuts **C** into the right side **3**.



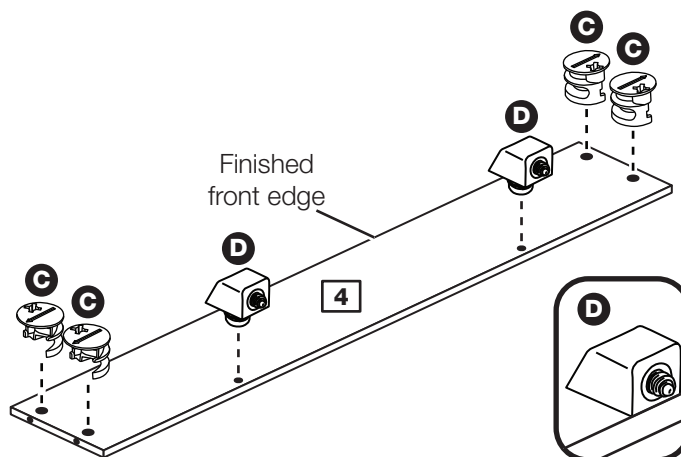
Assembly Instructions

Step 3

Prepare the top rail

Insert 4 large locking nuts **C** into the top rail **4**.

Gently tap the 2 mini blocks **D** into the holes on the top rail **4**, orientated as shown.

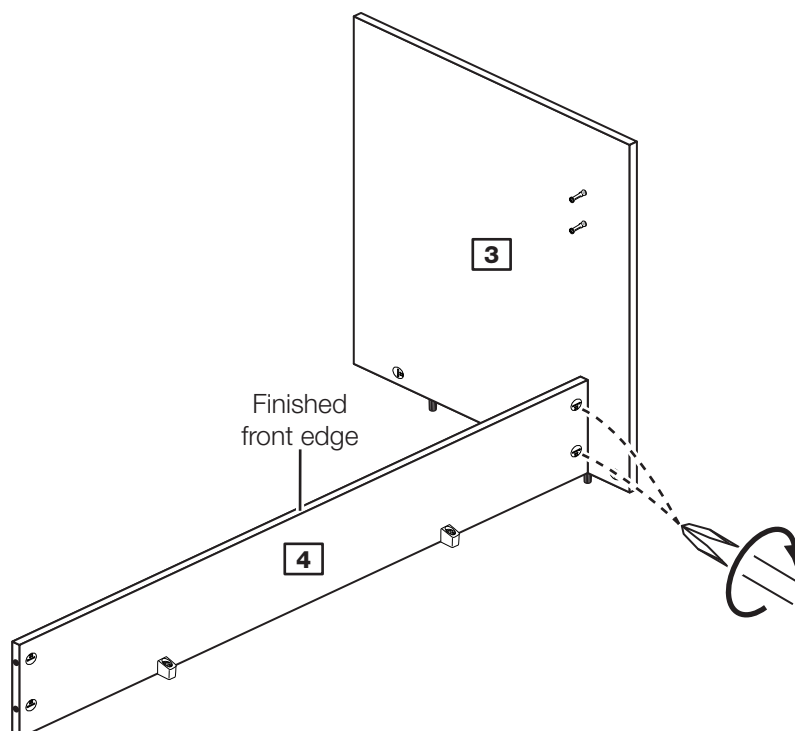


Step 4

Join the top rail and right side

Push the top rail **4** onto the right side **3**.

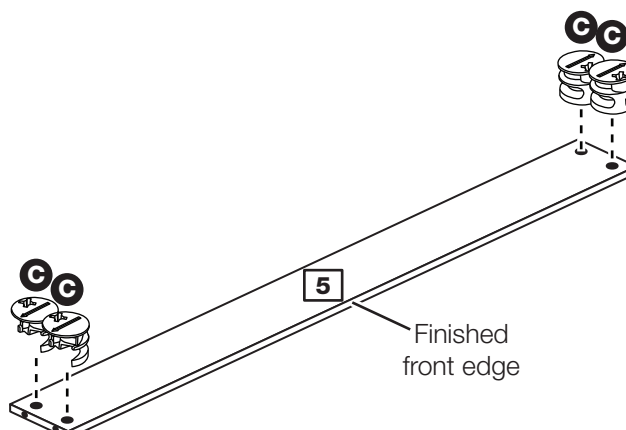
Use a screwdriver to tighten the 2 large locking nuts **C** fitted to the top rail **4**.



Step 5

Prepare the base rail

Insert 4 large locking nuts **C** into the base rail **5**.



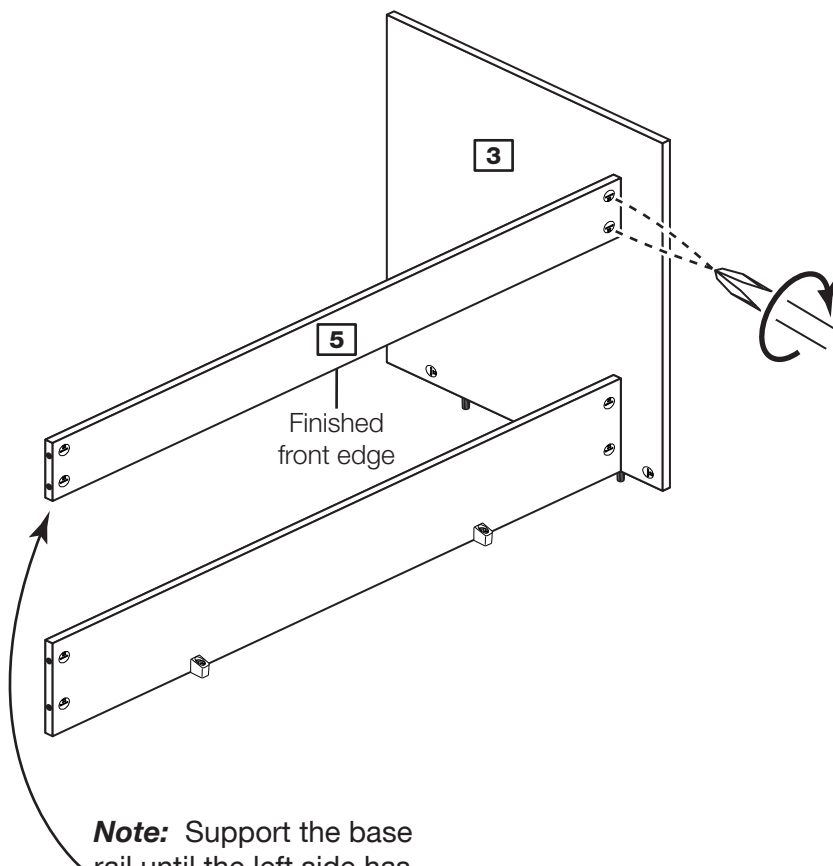
Assembly Instructions

Step 6

Fit the base rail

Push the base rail **5** onto the right side **3**.

Use a screwdriver to tighten the 2 large locking nuts **C** fitted to the base rail **5**.



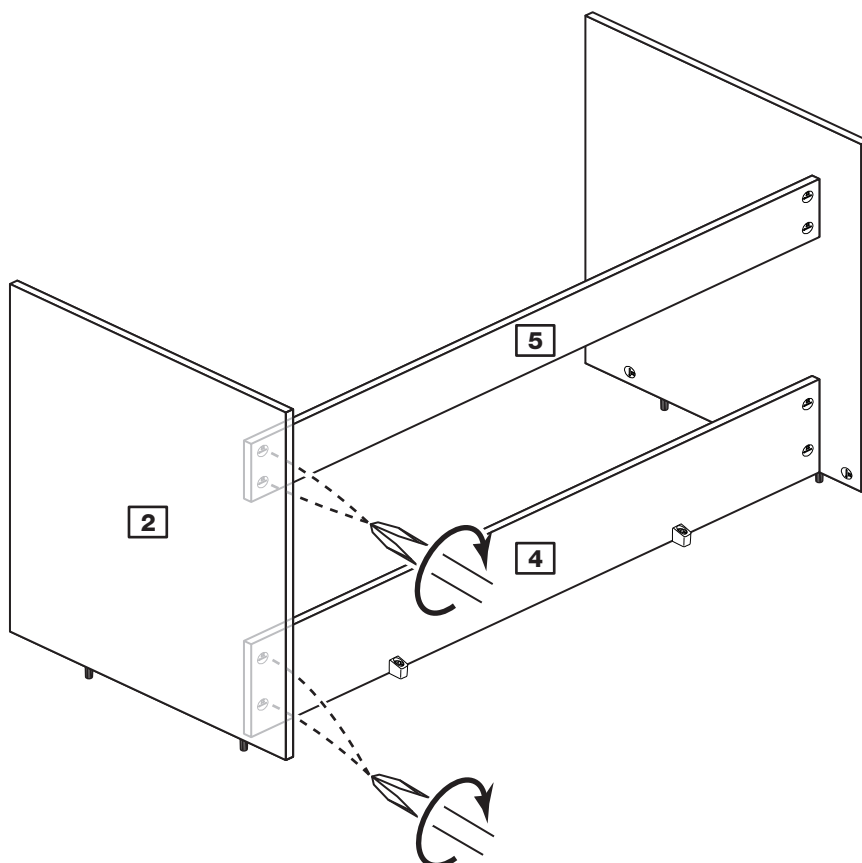
Note: Support the base rail until the left side has been fitted in the next step.

Step 7

Fit the left side

Push the left side **2** onto the top rail **4** and base rail **5**.

Use a screwdriver to tighten the 4 large locking nuts **C** fitted to the top rail **4** and base rail **5**.

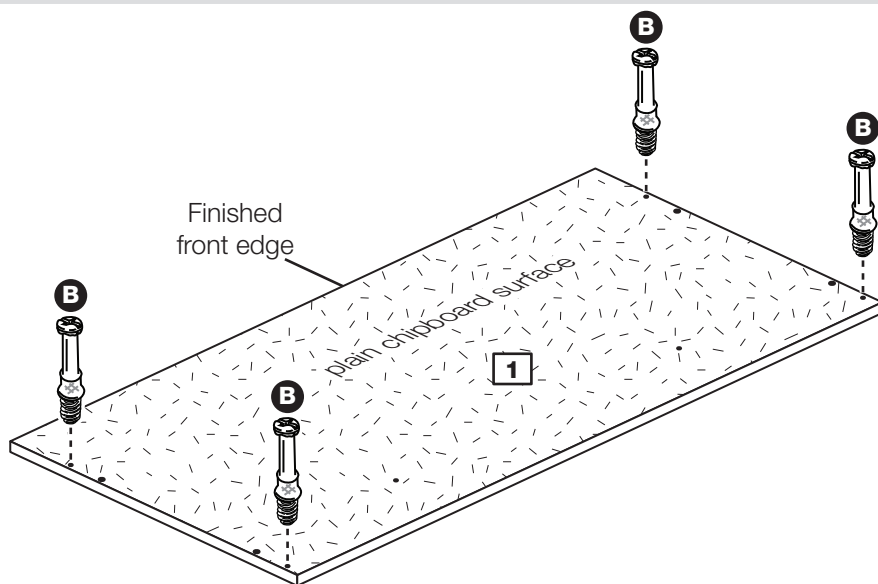


Assembly Instructions

Step 8

Prepare the top

Screw 4 metal dowels **B** into the top **1**.



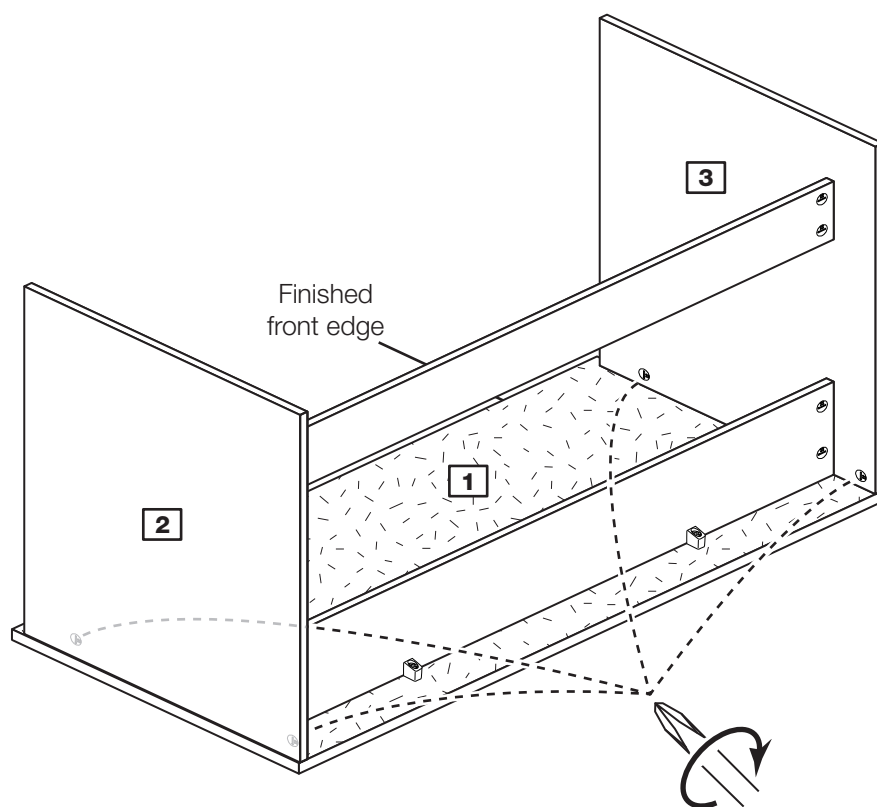
Step 9

Fit the top

2 people are needed here

Lower the assembly onto the top **1**.

Use a screwdriver to tighten the 4 large locking nuts **C** fitted to the left side **2** and right side **3**.

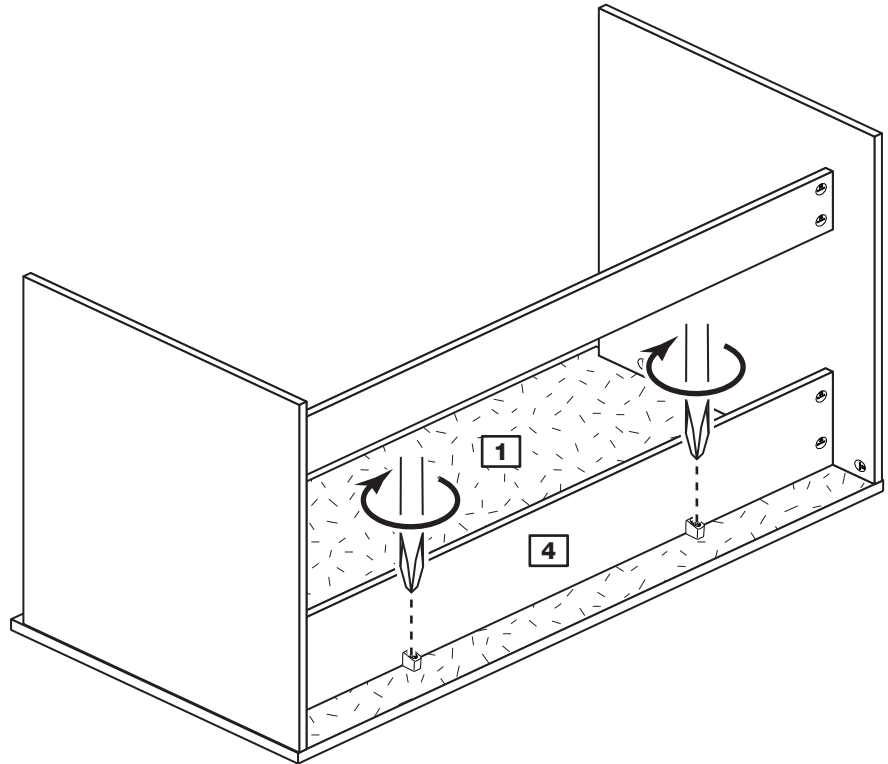


Assembly Instructions

Step 10

Secure the top rail to the top

Tighten up the screws in the 2 mini blocks **D**, fitted to the top rail **4**, into the holes in the top **1**.



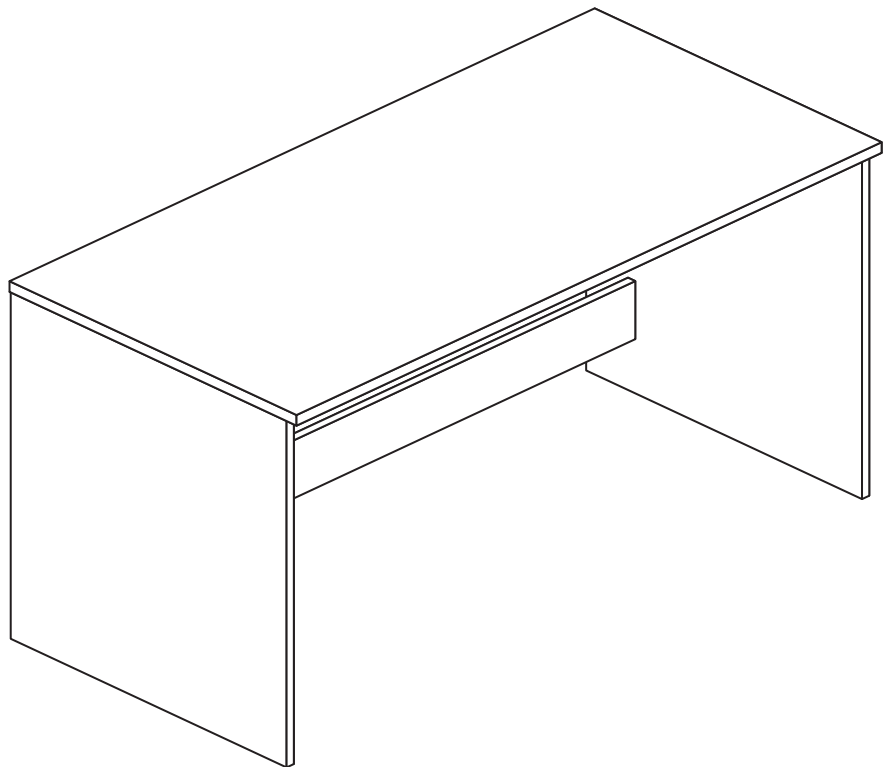
Step 11

Stand the unit up

2 people are needed here

Carefully lift the unit up and turn it the correct way up.

Assembly is complete



If you need help or have damaged or missing parts, call the **Customer Helpline: 08456 400800** and quote the reference numbers on the component pages.

Argos Ltd, 489-499 Avebury Boulevard, Central Milton Keynes, MK9 2NW

