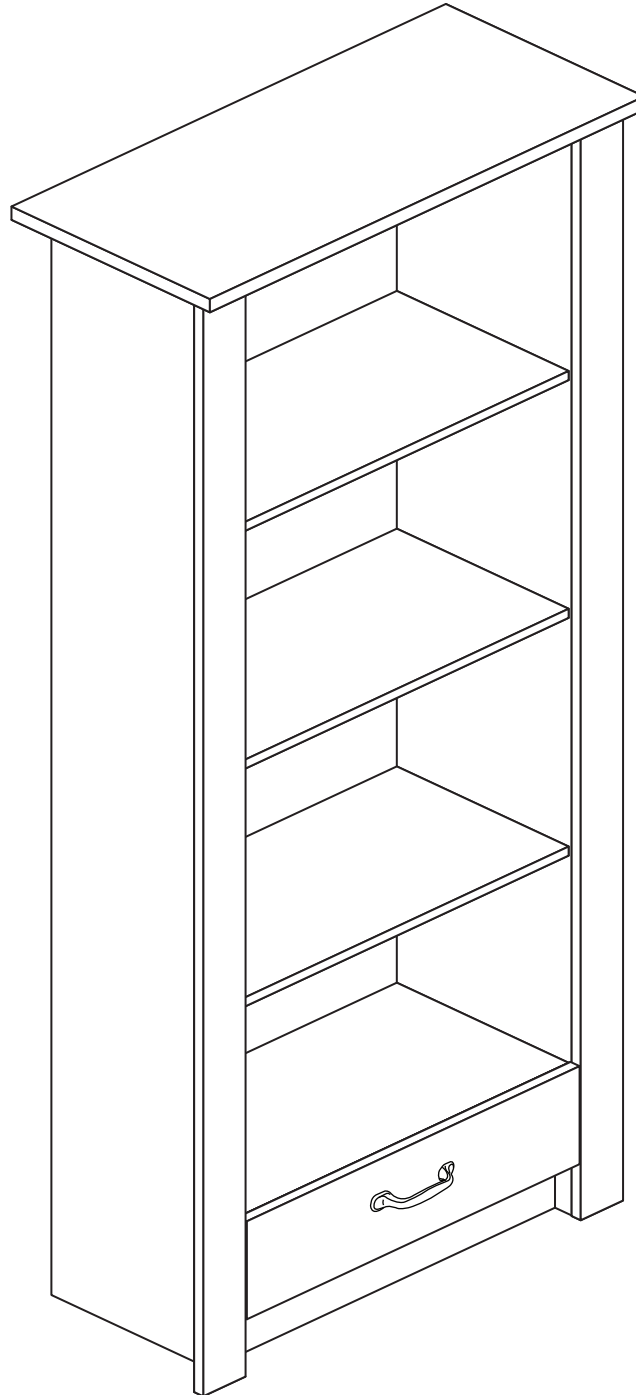


# Dalton - Bookcase

Assembly Instructions - Please keep for future reference

609/6788

142/9790



## Dimensions

Width - 72cm

Depth - 33cm

Height - 183cm



**MADE IN  
BRITAIN**

**Important** - Please read these instructions fully before starting assembly

If you need help or have damaged or missing parts, call the **Customer Helpline: 08456 400800**



# Safety and Care Advice

**Important - Please read these instructions fully before starting assembly**

- **Warning:** This unit weighs approximately 30kgs. Please lift with care.

- Check you have all the components and tools listed on pages 2 and 3.

- Remove all fittings from the plastic bags and separate them into their groups.

- Keep children and animals away from the work area, small parts could choke if swallowed.

- Parts of the assembly will be easier with 2 people.

- Make sure you have enough space to layout the parts before starting.

- Do not stand or put weight on the product, this could cause damage.

- Assemble the item as close to its final position (in the same room) as possible.

- Assemble on a soft level surface to avoid damaging the unit or your floor (use opened out unit carton).



- We do not recommend the use of power drill/drivers **for inserting screws**, as this could damage the unit. Only use hand screwdrivers.

- **Safety note:** It is recommended that this unit is secured to a wall using the bracket supplied.

- Dispose of all packaging carefully and responsibly.

## Care and maintenance

- Only clean using a damp cloth and mild detergent, do not use bleach or abrasive cleaners.

- From time to time check that there are no loose screws on this unit.

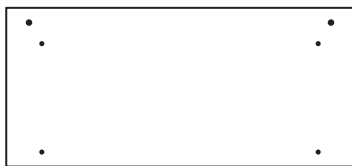
- This product should not be discarded with household waste. Take to your local authority waste disposal centre.

**Note:** If required the next page can be cut out and used as reference throughout the assembly. Keep this page with these instructions for future reference.

# Components - Panels

If you have damaged or missing components, call the **Customer Helpline: 08456 400800** quoting the reference numbers below

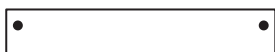
Please check you have all the panels listed below



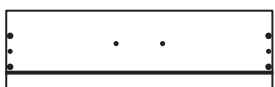
**1** Top (D1792A)  
(718 x 328mm)



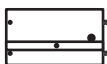
**2** Shelf (D1795A)  
(556 x 284mm) x 4



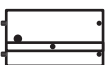
**3** Plinth (D1797A)  
(556 x 95mm) x 2



**4** Drawer Front (D1798A)  
(550 x 162mm)



**5** Left Drawer Side (W454LH)  
(200 x 115mm)



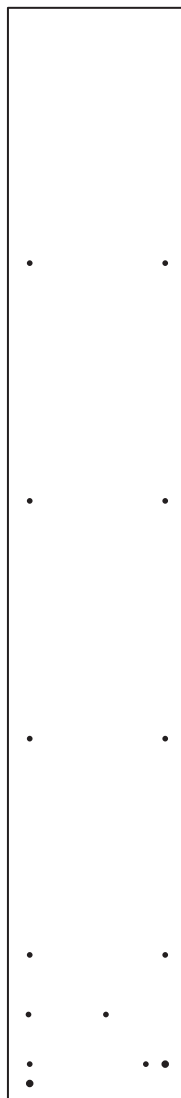
**6** Right Drawer Side (W454RH)  
(200 x 115mm)



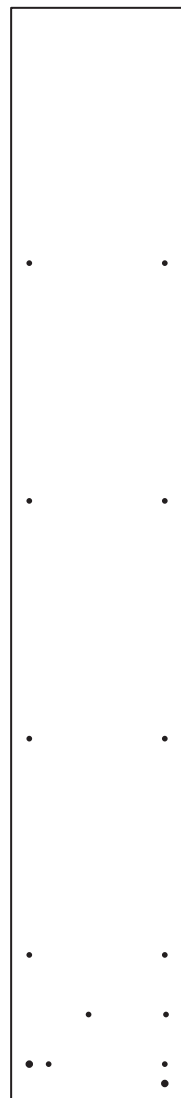
**7** Drawer Back (W564)  
(522 x 115mm)



**8** Drawer Base (T564)  
(533 x 197mm)



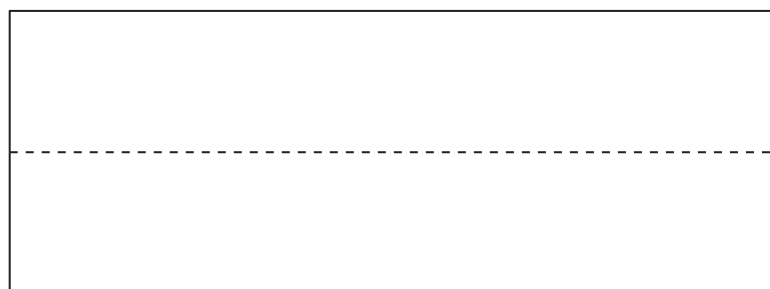
**9** Left Side (D1793A)  
(1808 x 290mm)



**10** Right Side (D1794A)  
(1808 x 290mm)



**11** Fascia (D1799A)  
(1808 x 70mm) x 2



**12** Back (X919)  
(1592 x 584mm)


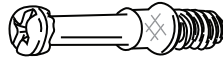


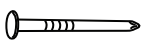



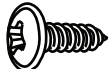


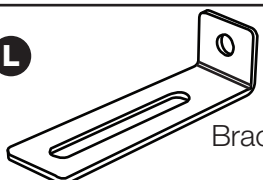




# Components - Fittings

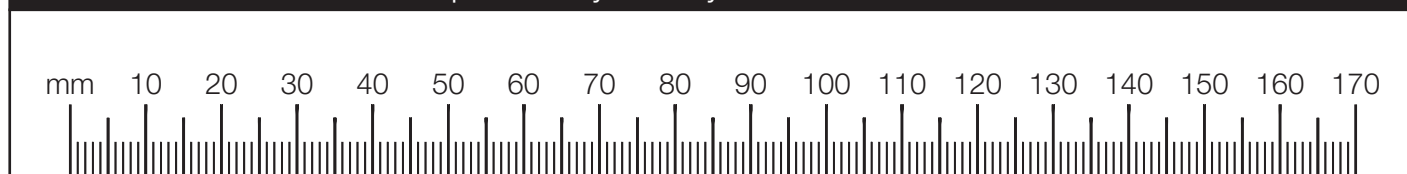
If you have damaged or missing components, call the **Customer Helpline: 08456 400800** quoting the reference numbers below

Please check you have all the fittings listed below

**Note:** The quantities below are the correct amount to complete the assembly. In some cases more fittings may be supplied than are required.

<p><b>A</b> </p> <p>Wooden dowel (F22) x 6</p>	<p><b>B</b> </p> <p>Metal dowel (F901) x 30</p>	<p><b>C</b> </p> <p>Large locking nut (F900) x 28</p>
<p><b>D</b> </p> <p>Small locking nut (F3) x 2</p>	<p><b>E</b> </p> <p>Nail (F51) x 30</p>	<p><b>F</b> </p> <p>Knock-in Peg (F171) x 4</p>
<p><b>G</b> </p> <p>40mm Screw (F910) x 4</p>	<p><b>H</b> </p> <p>19mm Screw (F461) x 2</p>	<p><b>I</b> </p> <p>13mm Screw (F79) x 1</p>
<p><b>J</b> </p> <p>9mm Screw (F74) x 2</p>	<p><b>K</b> </p> <p>9mm Screw (F73) x 4</p>	<p><b>L</b> </p> <p>Bracket (F327) x 1</p>
<p><b>M</b> </p> <p>Drawer runner (F307) x 2</p>		<p><b>N</b> </p> <p>Handle (F287) x 1</p>

Ruler - Use this ruler to help correctly identify the screws



# Assembly Instructions

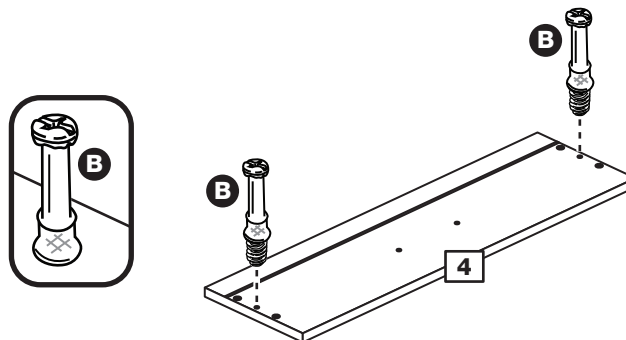
If you have damaged or missing components, call the **Customer Helpline: 08456 400800** quoting the reference numbers below

## Step 1

### Prepare the drawer front

Screw 2 metal dowels **B** into the drawer front **4**.

**Note:** Tighten the metal dowels up fully against the panels.

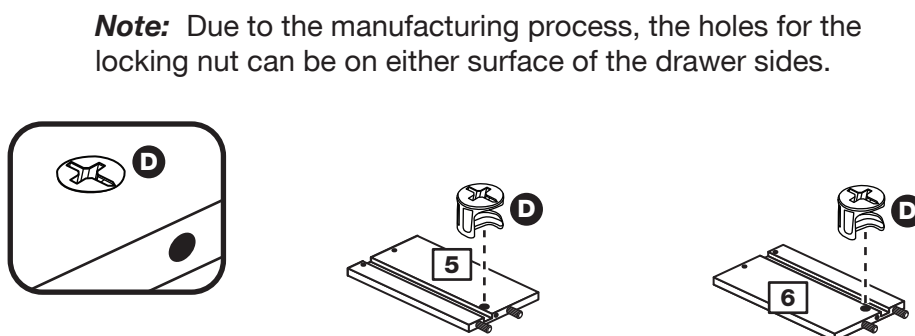


## Step 2

### Prepare the drawer sides

Insert a small locking nut **D** into the hole shown on the left drawer side **5** and right drawer side **6**.

**Note:** Arrow on locking nut **must** point towards hole in edge of panel.



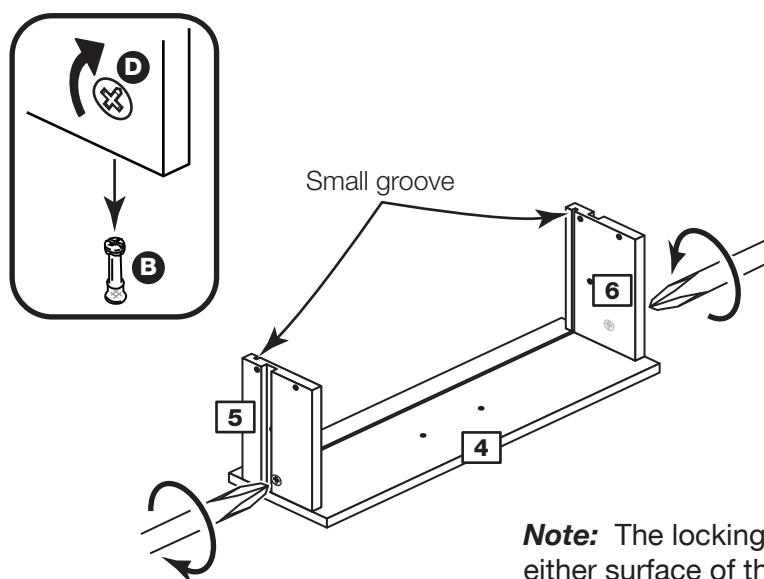
## Step 3

### Attach the drawer sides to the drawer front

Push the left drawer side **5** and right drawer side **6** onto the back of the drawer front **4**.

Turn the small locking nuts **D** on the left drawer side **5** and right drawer side **6**.

**Note:** Turn the locking nuts **D** clockwise to secure panels - more than 1/2 a turn.



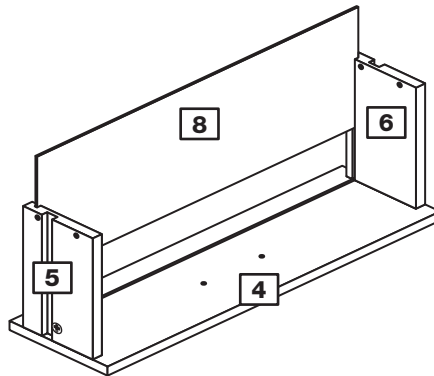
**Note:** The locking nuts can be on either surface of the drawer sides. Make sure that the small groove is on the inside, as shown.

# Assembly Instructions

## Step 4

### Fit the drawer base

Slide the drawer base **8** down the grooves in the drawer sides **5** and **6** and down into the groove in the drawer front **4**.



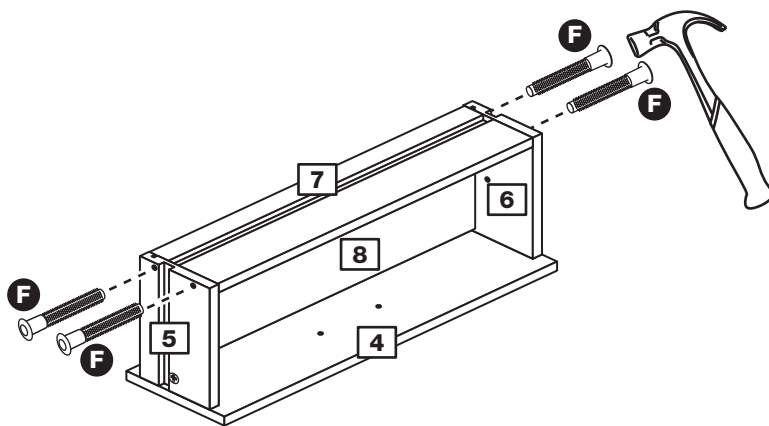
## Step 5

### Fit the drawer back

Fit the drawer back **7** between the drawer sides **5** and **6**.

Make sure that the drawer base **8** fits into the groove in the drawer back **7**.

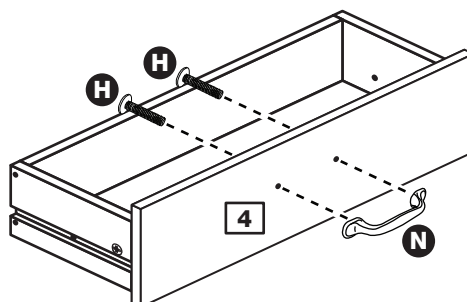
Hold the drawer back **7** in position and tap the knock-in pegs **F** through the holes in the drawer sides **5** and **6**.



## Step 6

### Attach the handle

Attach the handle **N** to the drawer front **4** using 2 screws **H**.



# Assembly Instructions

## Step 7

### Prepare the left side

**a:** Insert 4 large locking nuts **C** into the left side **9**.

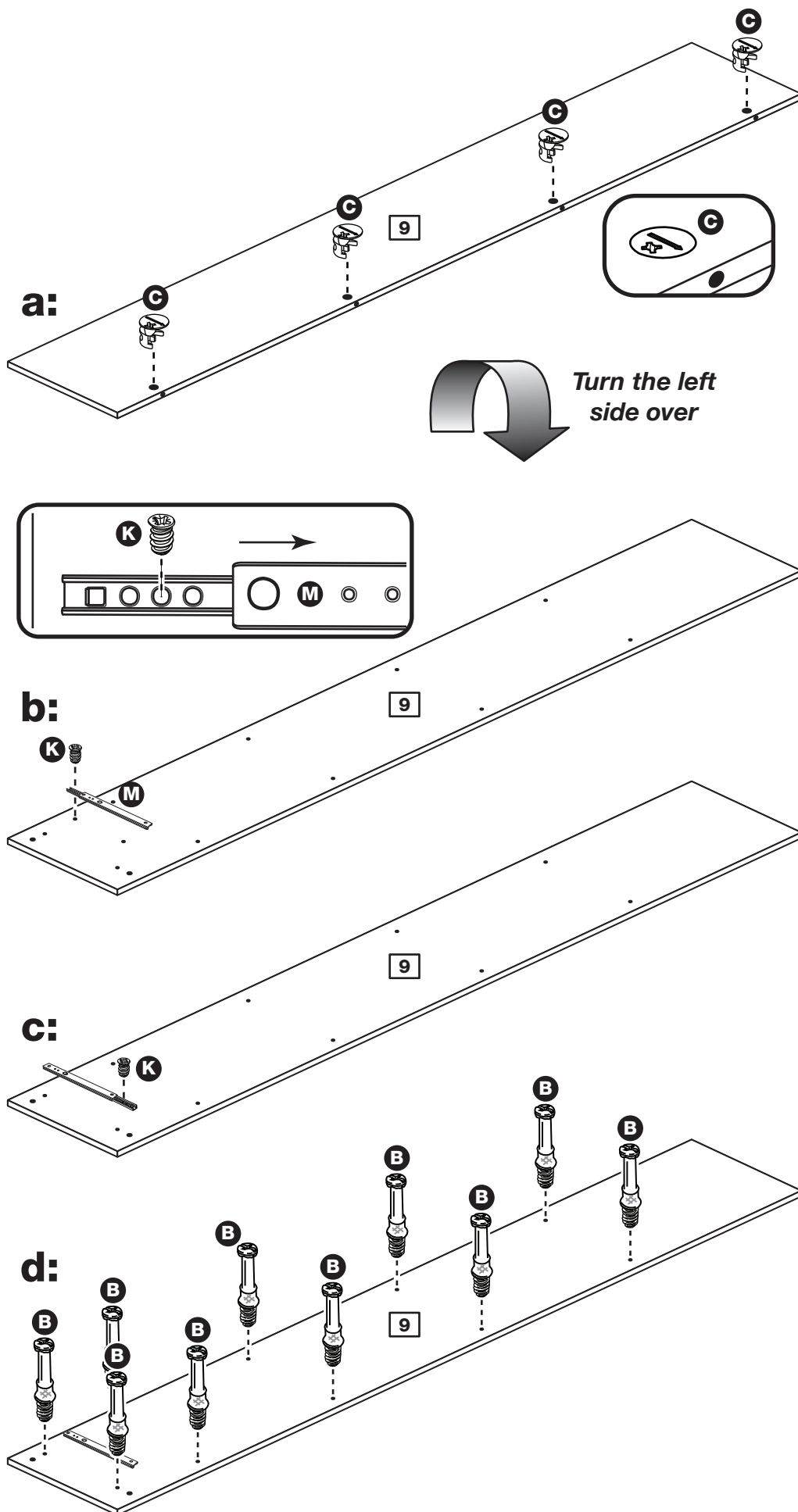
**Note:** The arrow on the locking nuts **must** point towards the holes in the edge of the panel.

### Turn the left side over

**b:** Place a runner **M** onto the left side **9**. Slide back the top of runner and use the 2nd hole from the front to fit the 1st screw **K**.

**c:** Slide the runner **M** back the other way and fit the 2nd screw **K** into the corresponding hole in the left side **9**.

**d:** Screw 10 metal dowels **B** into the left side **9**.



# Assembly Instructions

## Step 8

### Prepare the right side

**a:** Insert 4 large locking nuts **G** into the right side **10**.

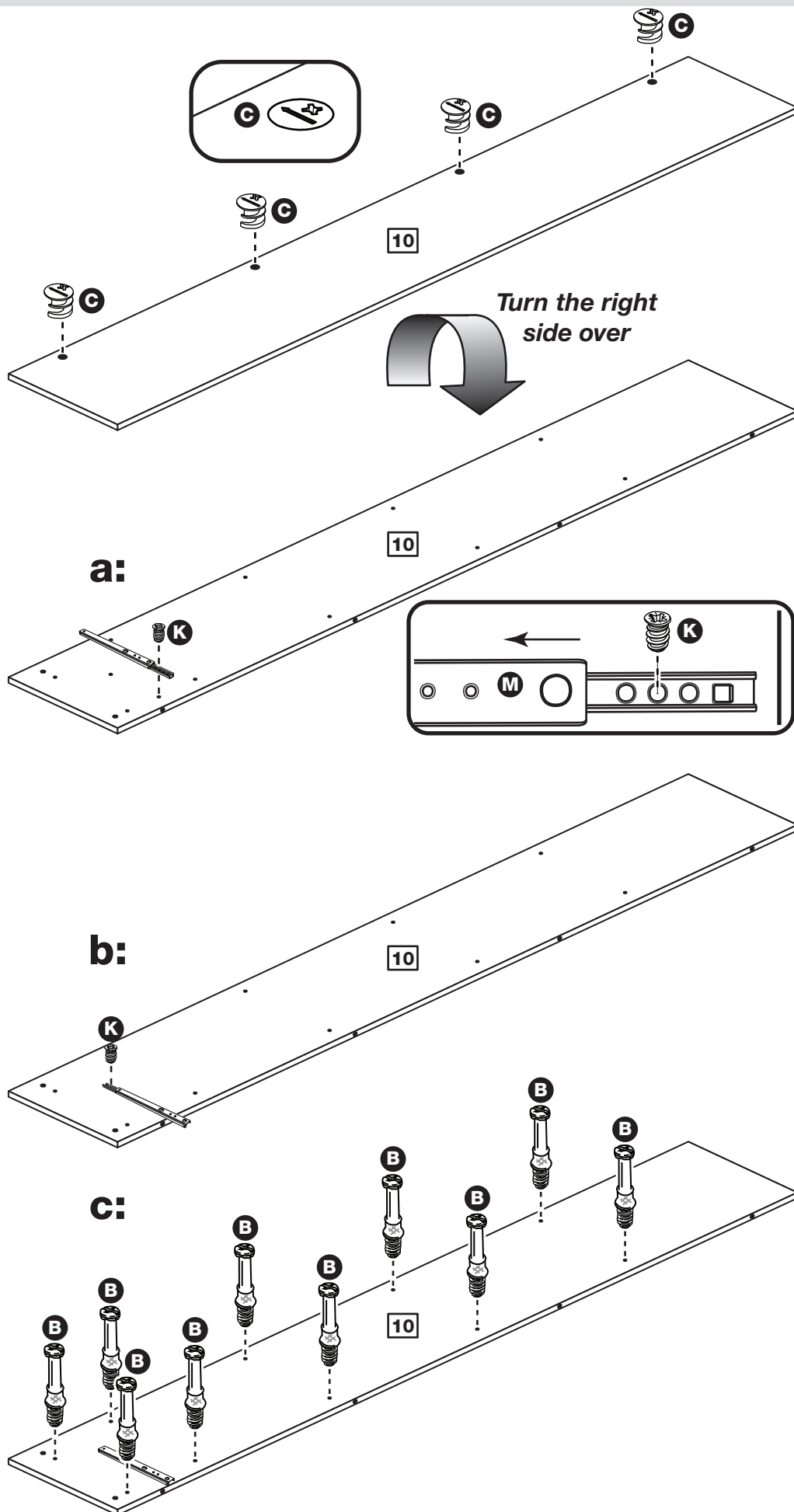
**Note:** The arrow on the locking nuts **must** point towards the holes in the edge of the panel.

### Turn the right side over

**b:** Place a runner **M** onto the right side **10**. Slide back the top of runner and use the 2nd hole from the front to fit the 1st screw **K**.

**c:** Slide the runner **M** back the other way and fit the 2nd screw **K** into the corresponding hole in the right side **10**.

**d:** Screw 10 metal dowels **B** into the right side **10**.





# Assembly Instructions

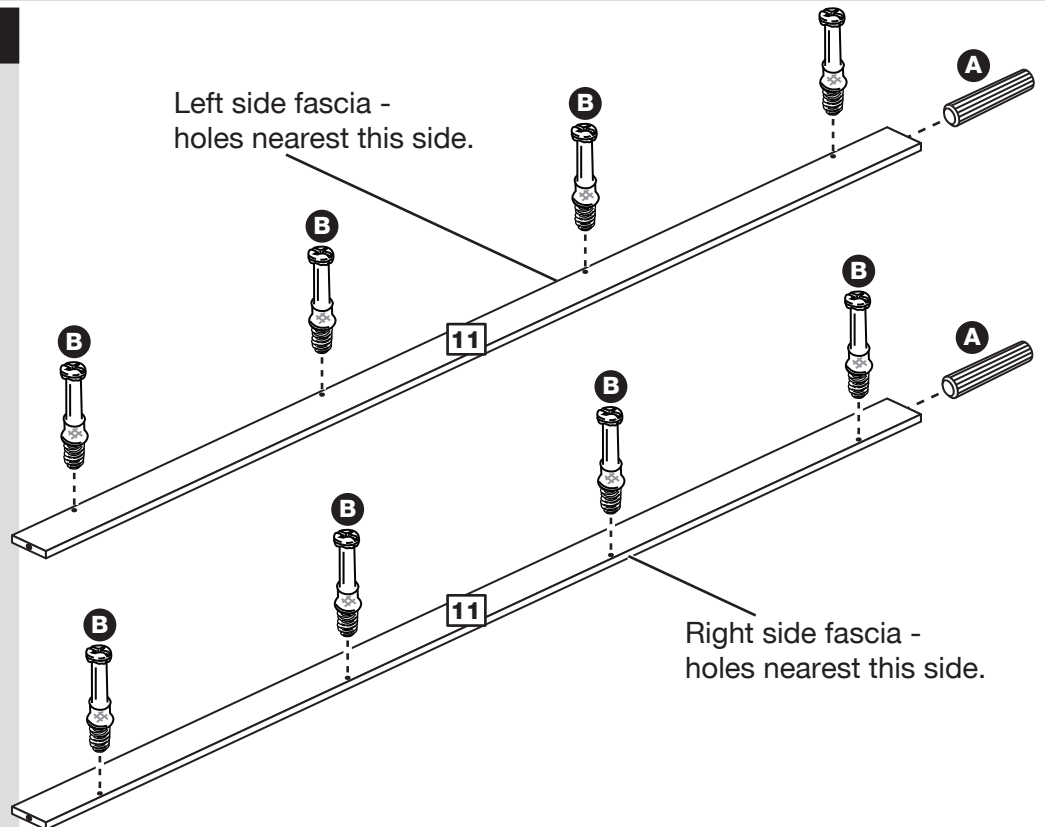
## Step 9

### Prepare the 2 fascias

Screw 4 metal dowels **B** into each of the 2 fascias **11**.

Tap a wooden dowel **A** into each of the 2 fascias **11**.

**Note:** Wooden dowels **must not** stick out from the edge by more than 10mm or they may damage other panels.



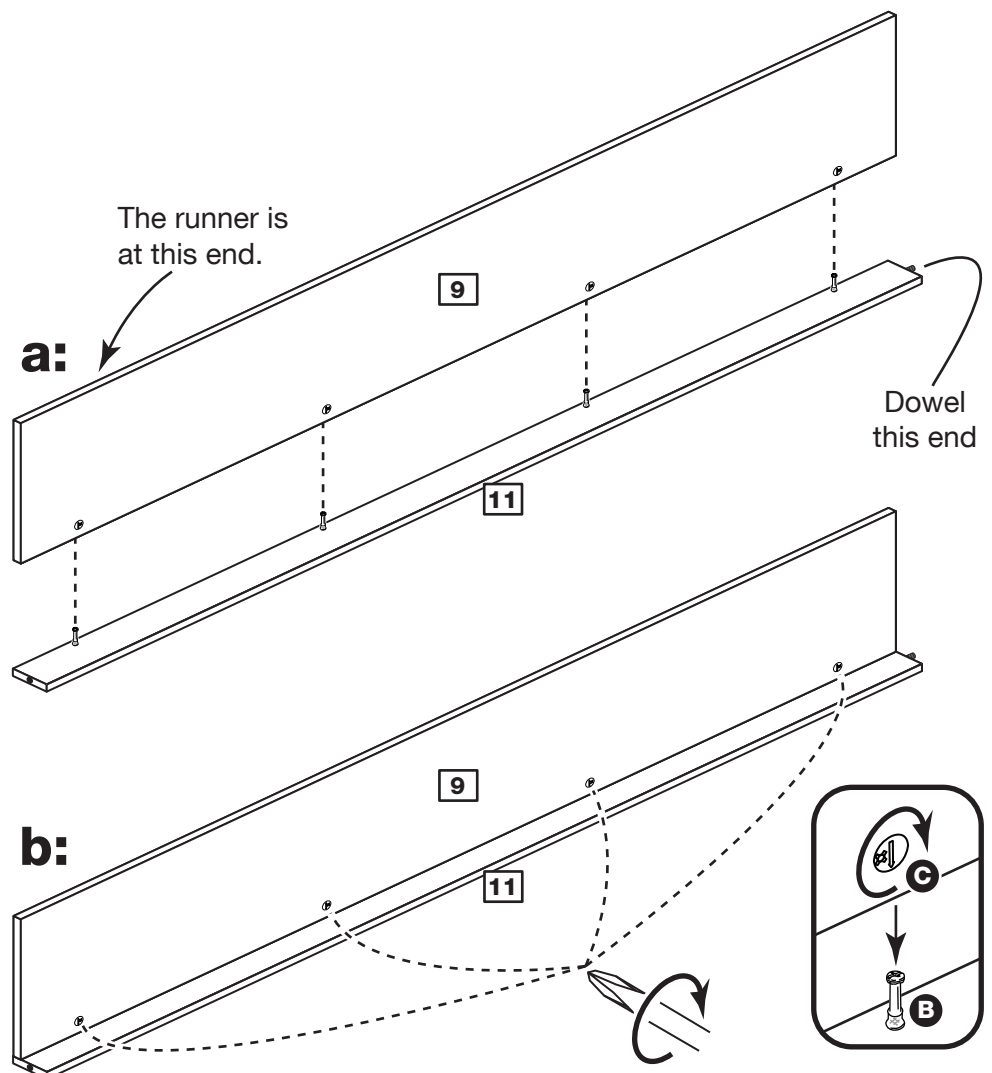
## Step 10

### Join the left side to the left side fascia

**a:** Push the left side **9** down onto the left side fascia panel **11**.

**b:** Use a screwdriver to tighten the 4 large locking nuts **C** fitted to the left side **9**.

**Note:** Turn the large locking nuts **C** as far as they will go - more than 1/2 a turn.



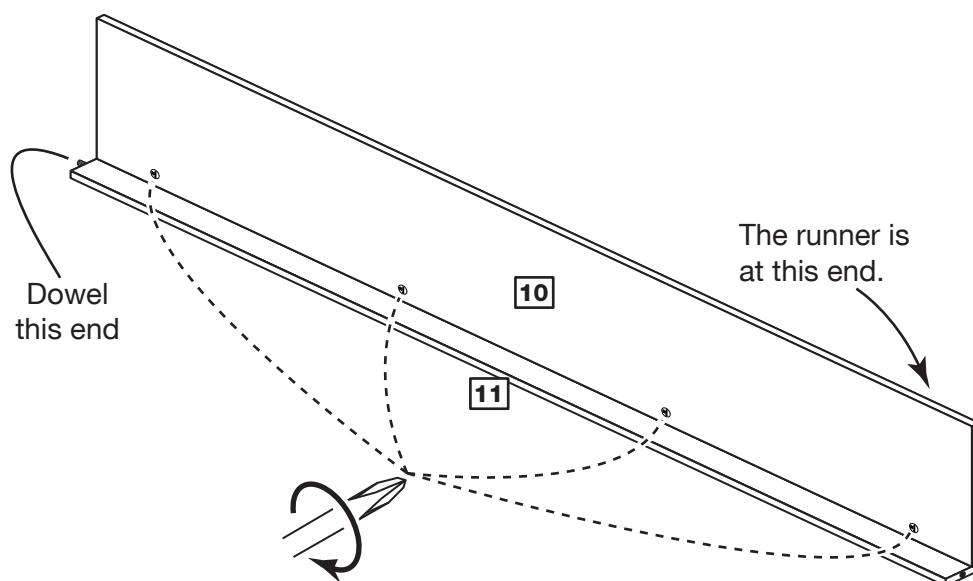
# Assembly Instructions

## Step 11

### Join the right side to the right side fascia

Push the right side **10** down onto the right side fascia panel **11**.

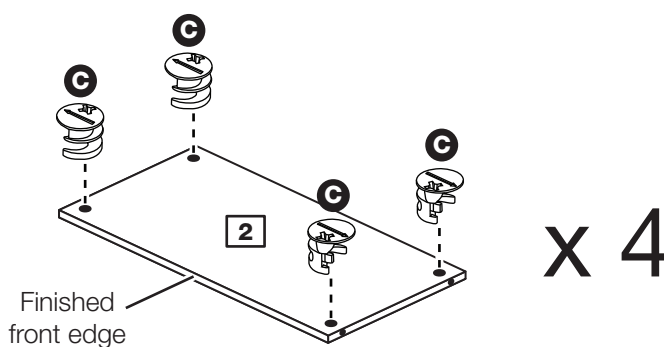
Use a screwdriver to tighten the 4 large locking nuts **C** fitted to the right side **10**.



## Step 12

### Prepare the 4 shelves

Insert 4 large locking nuts **C** into each of the 4 shelves **2**.



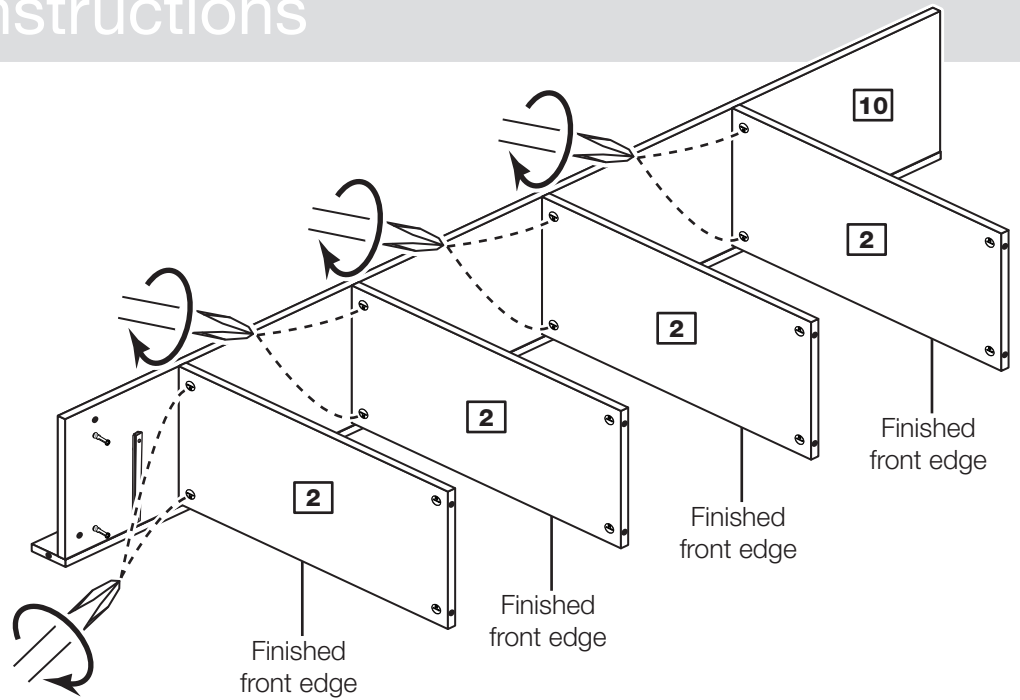
# Assembly Instructions

## Step 13

### Fit the shelves

Push the 4 shelves **2** onto the right side **10**.

Use a screwdriver to tighten the 2 large locking nuts **C** fitted to each shelf **2**.

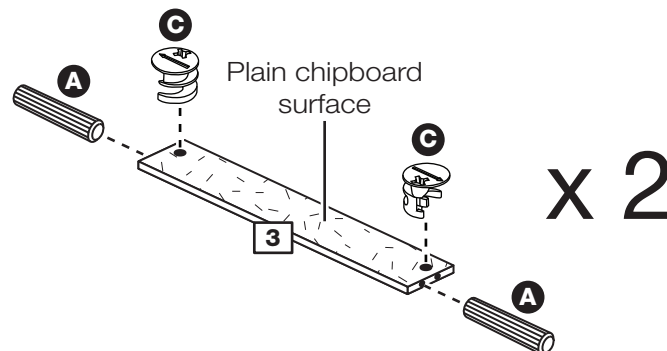


## Step 14

### Prepare the plinths

Tap 2 wooden dowels **A** into each of the plinths **3**.

Insert 2 large locking nuts **C** into each of the plinths **3**.

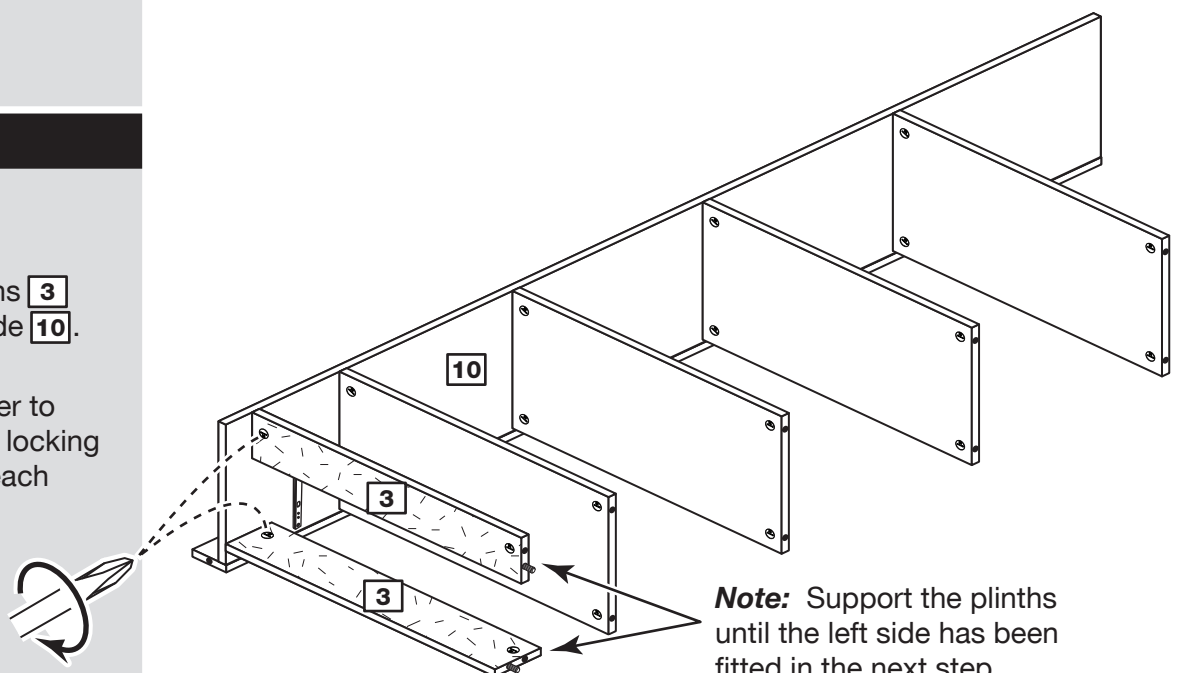


## Step 15

### Fit the plinths

Push the 2 plinths **3** onto the right side **10**.

Use a screwdriver to tighten the large locking nut **C** fitted to each plinth **3**.



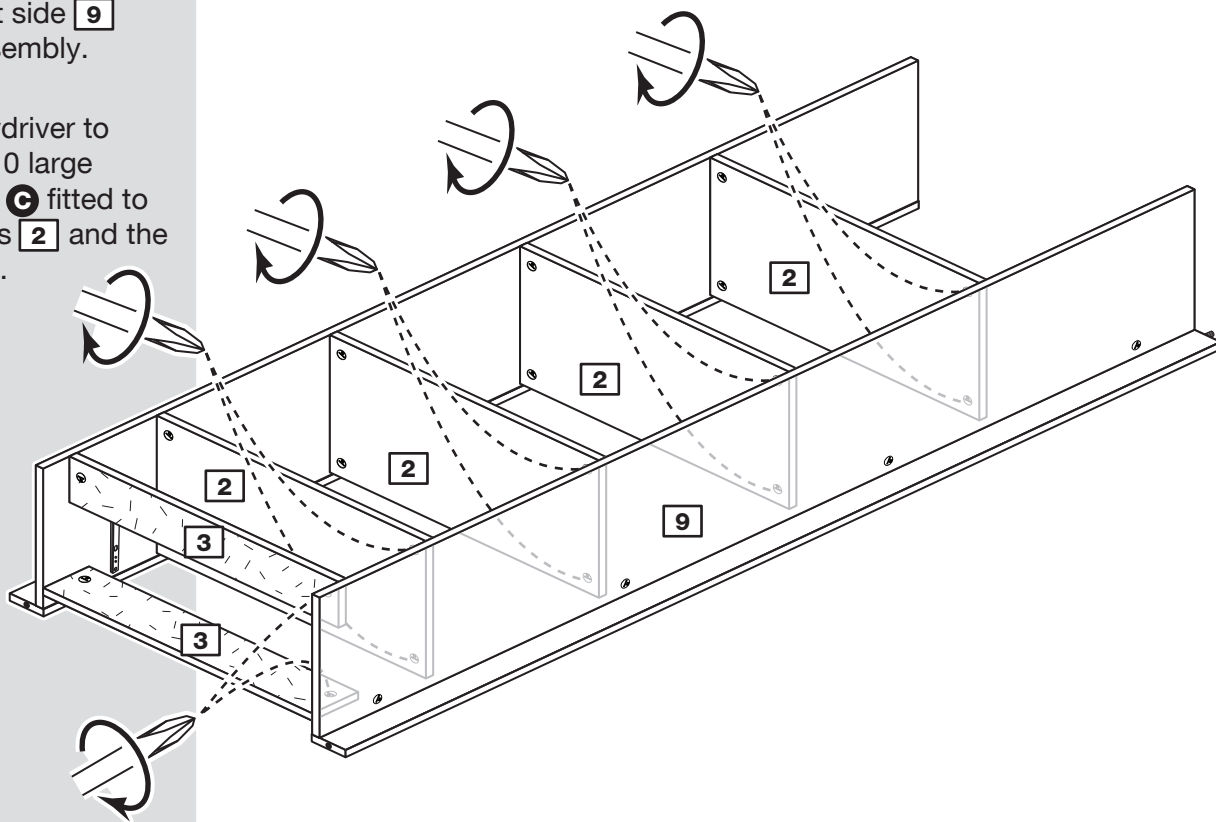
# Assembly Instructions

## Step 16

### Fit the left side

Push the left side **9** onto the assembly.

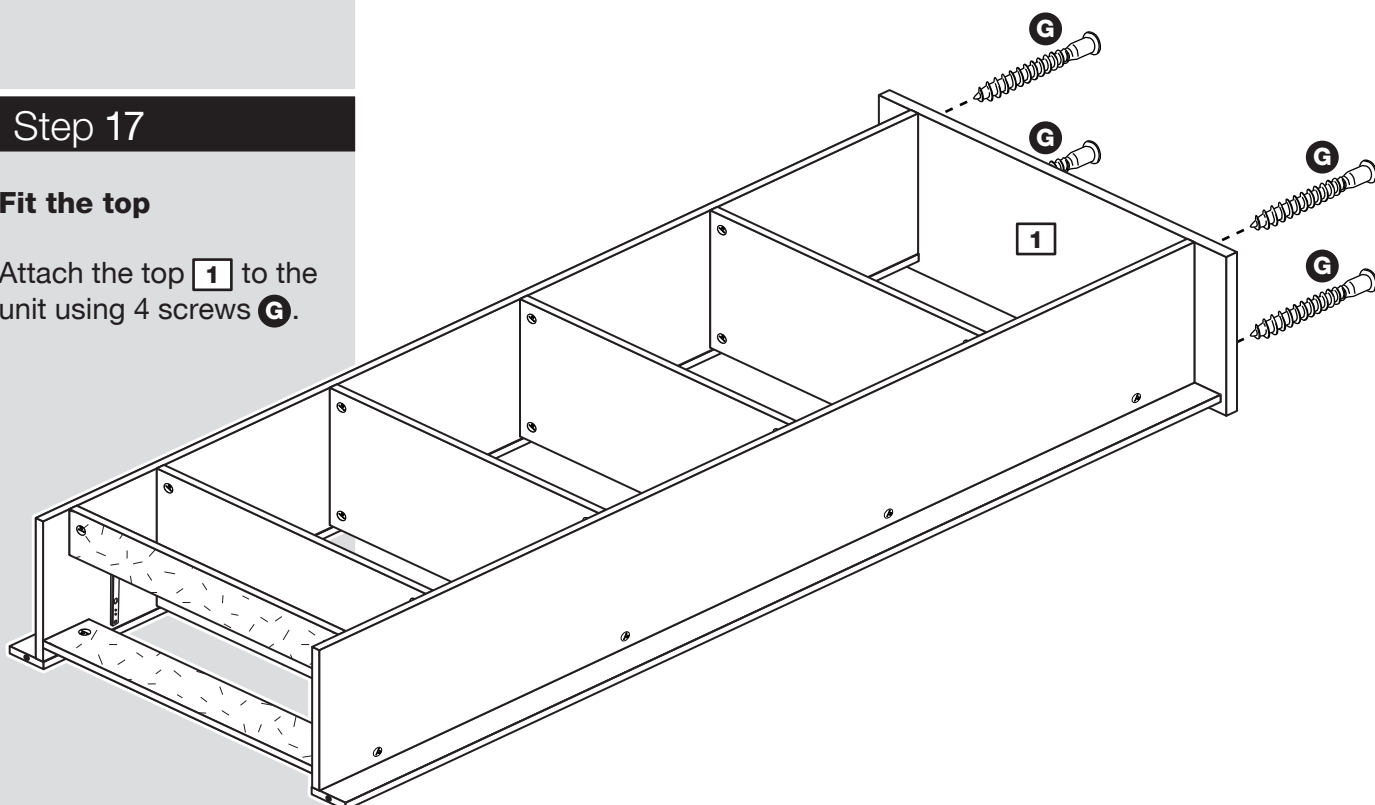
Use a screwdriver to tighten the 10 large locking nuts **C** fitted to the 4 shelves **2** and the 2 plinths **3**.



## Step 17

### Fit the top

Attach the top **1** to the unit using 4 screws **G**.



# Assembly Instructions

## Step 18

### Fit the back

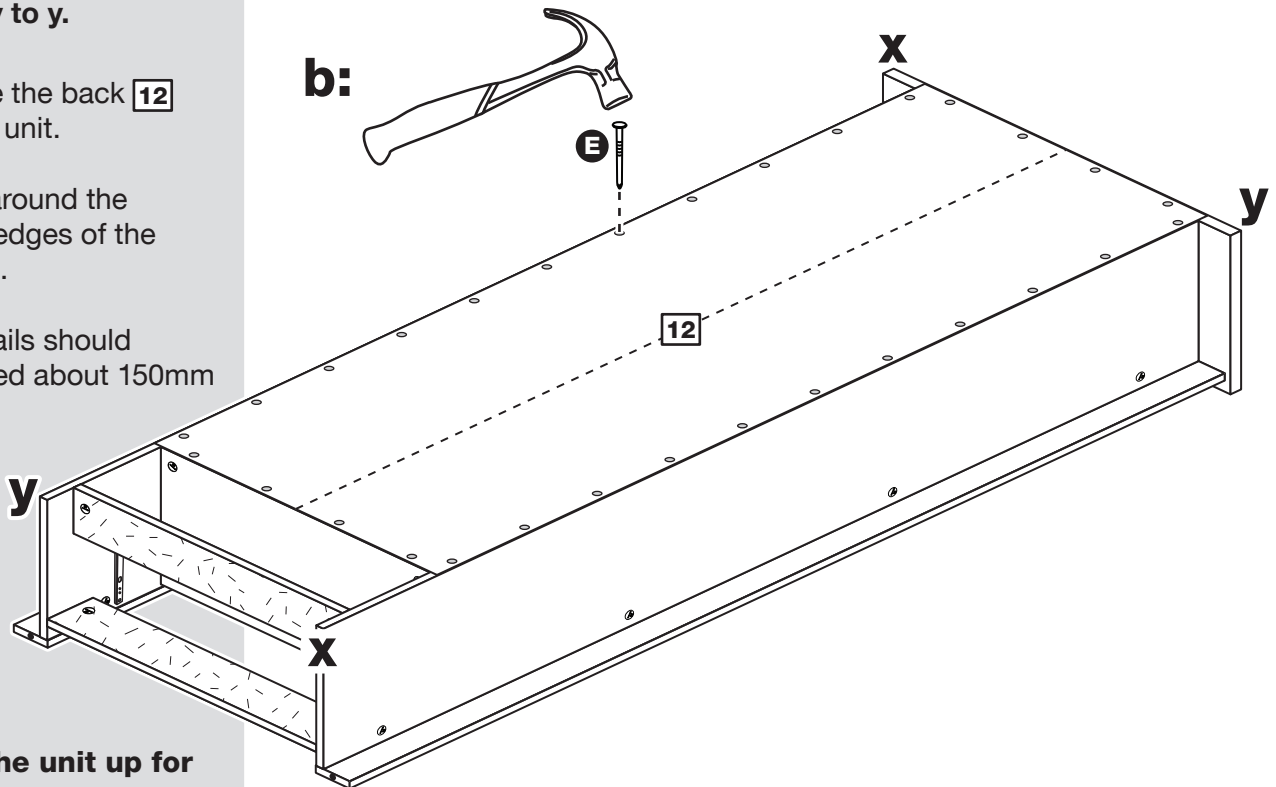
**a:** Square up the unit by making sure that measurement **x to x** equals **y to y**.

**b:** Place the back **12** onto the unit.

Nail **E** around the outside edges of the back **12**.

**Note:** Nails should be spaced about 150mm apart.

**a:** The measurement from top corner X to bottom corner X must be equal to the measurement from top corner Y to bottom corner Y



**Stand the unit up for the next step.**



**Warning:** The unit is heavy. Lift with care.

# Assembly Instructions

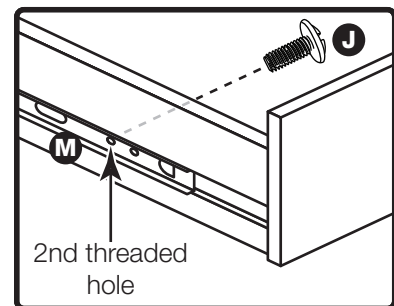
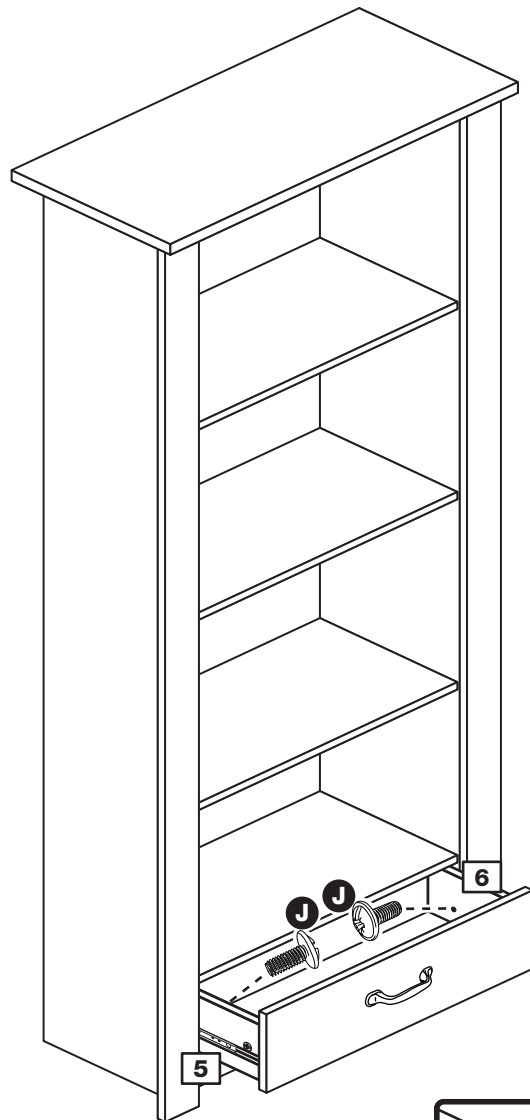
## Step 19

### Fit the drawer

Slide both of the runners **M** forward and locate the drawer sides **5** and **6** between them, lining up the holes in the drawer wrap with the 2nd 'threaded' holes in the runners **M**.

Working from the inside of the drawer, insert 2 screws **J** through the drawer sides and out into the hole in the runner.

**Note:** Do not overtighten the screws.  
If they catch on the runner you may need to loosen them slightly.



# Assembly Instructions

## Step 20

### Fit the bracket

To prevent possible overbalancing, we recommend that this unit is secured to a suitable wall by use of the bracket **L** fitted to the top of the unit.

Fixings are not supplied, as they will need to suit the wall type and the length of screw will depend on the distance from the back of the unit to the wall.

Fix the bracket **L** loosely onto the top of the unit using screw **I** and mark the wall for the wall fixing.

Swivel the bracket **L** away from the wall and drill a hole in the wall using a suitable drill bit and fit your wall fixing.

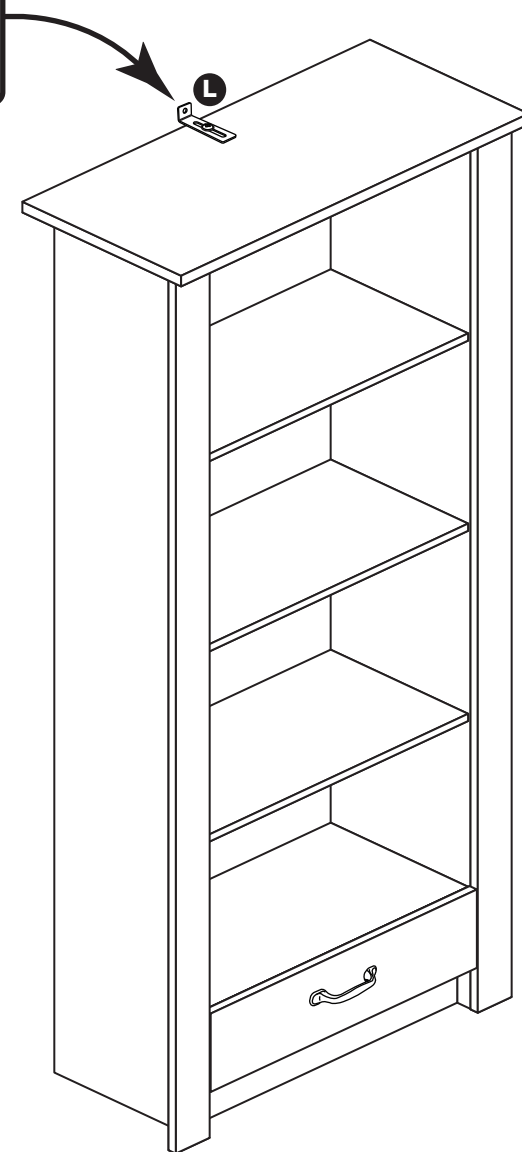
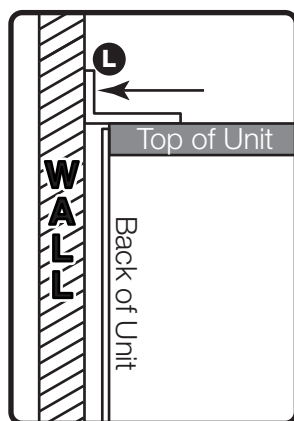
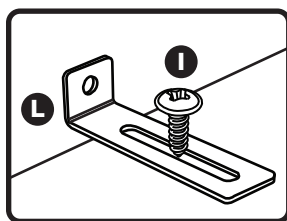
Swivel the bracket **L** back and fix the bracket to the wall, then tighten Screw **I**.

**Note:** Take care when drilling the wall that you do not drill into any pipes, wires etc. If in doubt, consult an expert.



**Warning:** The unit is heavy. Lift with care.

**Assembly is complete**



If you need help or have damaged or missing parts, call the Customer Helpline: 08456 400800 and quote the reference numbers on the component pages.

Argos Ltd, 489-499 Avebury Boulevard, Central Milton Keynes, MK9 2NW

