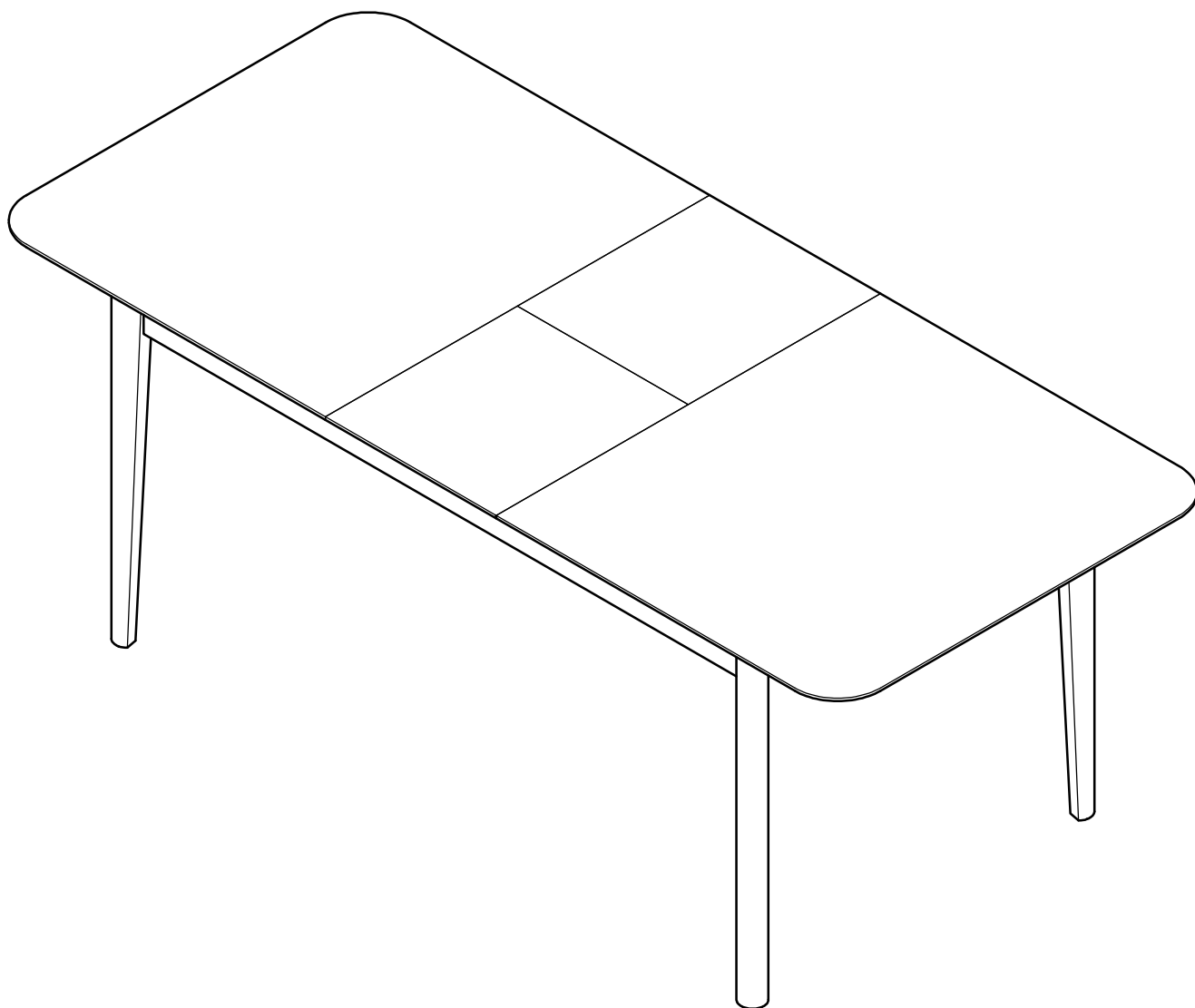


# Emmett - Extending Dining Table

Assembly Instructions - Please keep for future reference

149/2765



## Dimensions

Width - 200cm

Depth - 90cm

Height - 75cm

**Important** - Please read these instructions fully before starting assembly.

If you need help or have damaged or missing parts, call the **Customer Helpline: 08456 400800**



# Safety and Care Advice

**Important** - Please read these instructions fully before starting assembly.

- Check you have all the components and tools listed on page 2.
- Remove all fittings from the plastic bags and separate them into their groups.
- Keep children and animals away from the work area, small parts could choke if swallowed.
- Make sure you have enough space to layout the parts before starting.

- Do not stand or put weight on the product, this could cause damage.
- Assemble the item as close to its final position (in the same room) as possible.
- Assemble on a soft flat / firm surface to avoid damaging the unit or your floor.
- Parts of the assembly will be easier with 2 people.



- We do not recommend the use of power drill/ drivers **for inserting screws**, as this could damage the unit. Only use hand screwdrivers.
- Dispose of all packaging carefully and responsibly .

## Care and maintenance

- Only clean using a damp cloth and mild detergent, do not use bleach or abrasive cleaners.
- From time to time check that there are no loose screws on this unit.
- This product should not be discarded with household waste. Take to your local authority waste disposal centre.

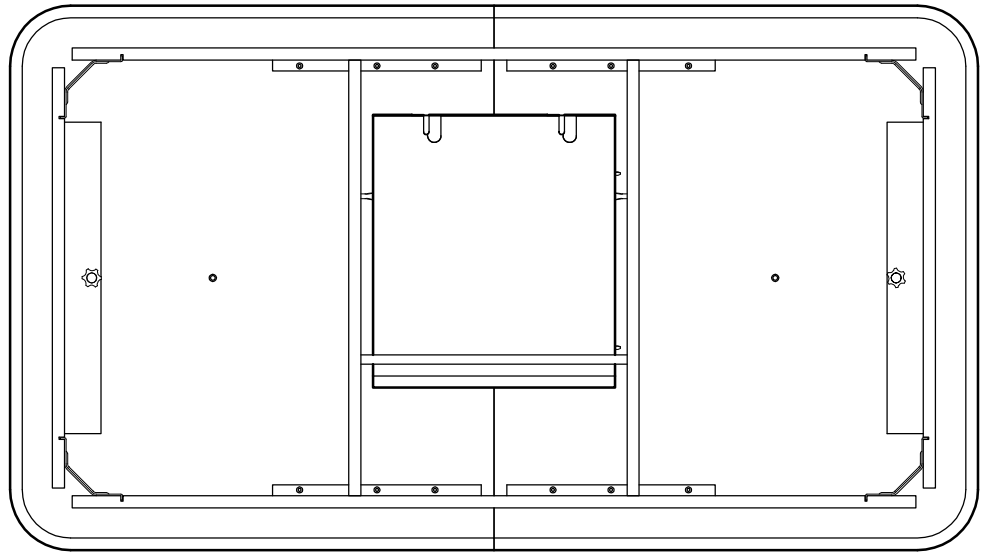
# Components - Panels

If you have damaged or missing components, call the **Customer Helpline: 08456 400800**

Please check you have all the panels listed below



**1** Leg x 4  
(7 x 72.2cm)

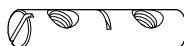
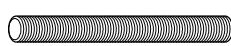



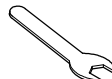


**2** Top table  
(160/200 x 90cm)

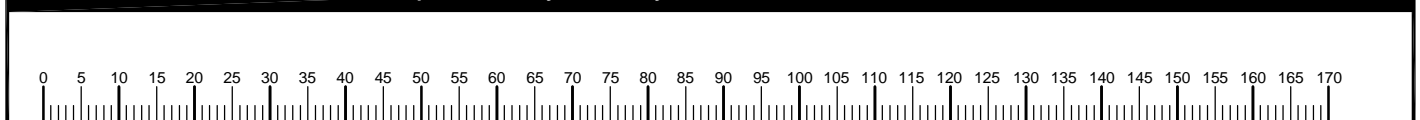
# Components - Fittings

Please check you have all the fittings listed below

**Note:** The quantities below are the correct amount to complete the assembly. In some cases more fittings may be supplied than are required.

<p><b>A</b> </p> <p>60mm Cross dowel x 4</p>	<p><b>B</b> </p> <p>80mm Threaded bolt x 8</p>	<p><b>C</b> </p> <p>Flat washer x 8</p>
<p><b>D</b> </p> <p>Lock washer x 8</p>	<p><b>E</b> </p> <p>Hex nut x 8</p>	<p><b>F</b> </p> <p>Spanner x 1</p>

Ruler - Use this ruler to help correctly identify the screws



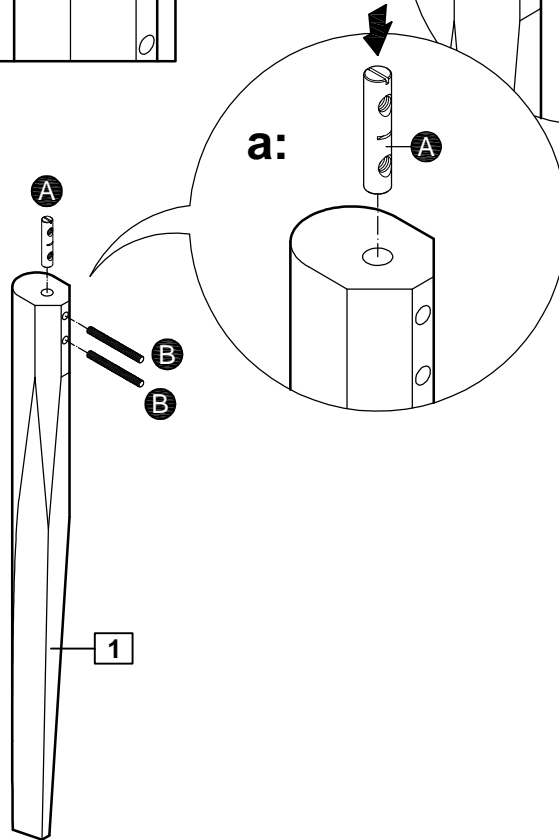
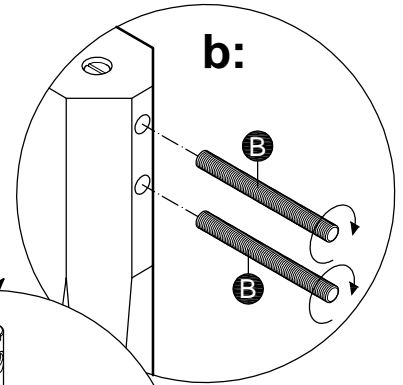
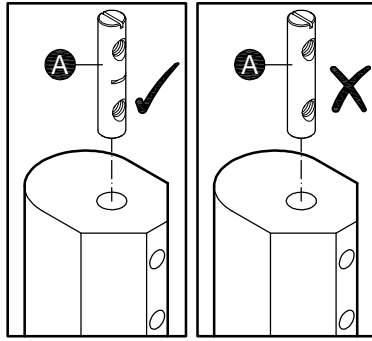
# Assembly Instructions

## Step 1

### Fitting dowels

**a:** Insert cross dowel **A** into the hole on top of each leg **1**.

**Note:** Ensure the horizontal marking on each cross dowel is facing out as shown.



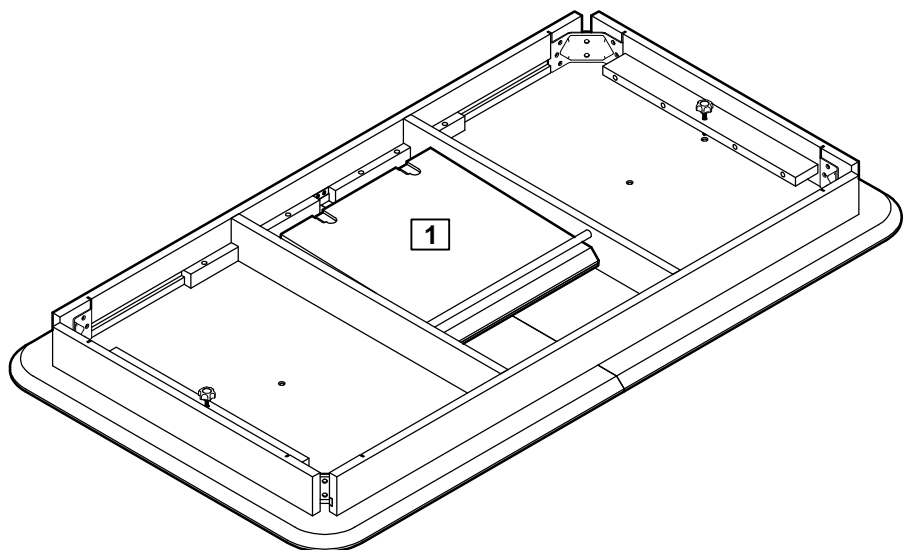
**b:** Insert threaded bolt **B** into the hole on each leg **1**.

Tighten threaded bolt **B** into the hole of cross dowel **A** that are already concealed in each leg **1** as shown.

## Step 2

### Attaching legs

**a:** Lay table top **2** on a flat, stable, clean and soft surface.



Continued on next page.

# Assembly Instructions

## Step 2 - continued

**b:** Attach leg **1** onto table top **2** by inserting bolts **B** into the pre-drilled holes of metal corner bracket as shown.

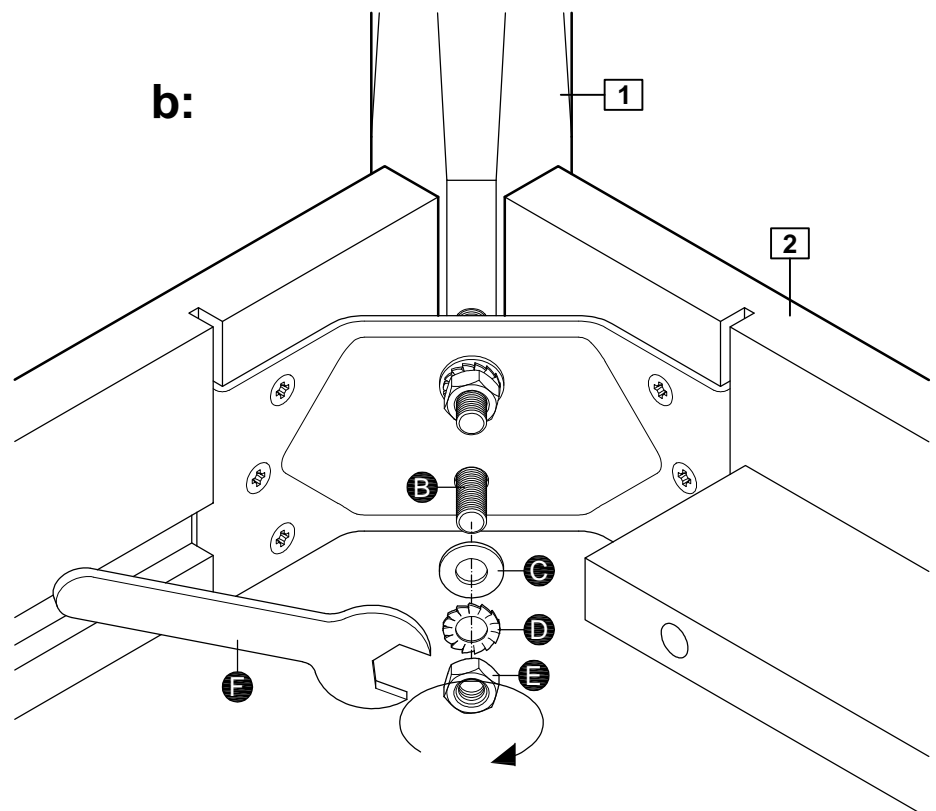
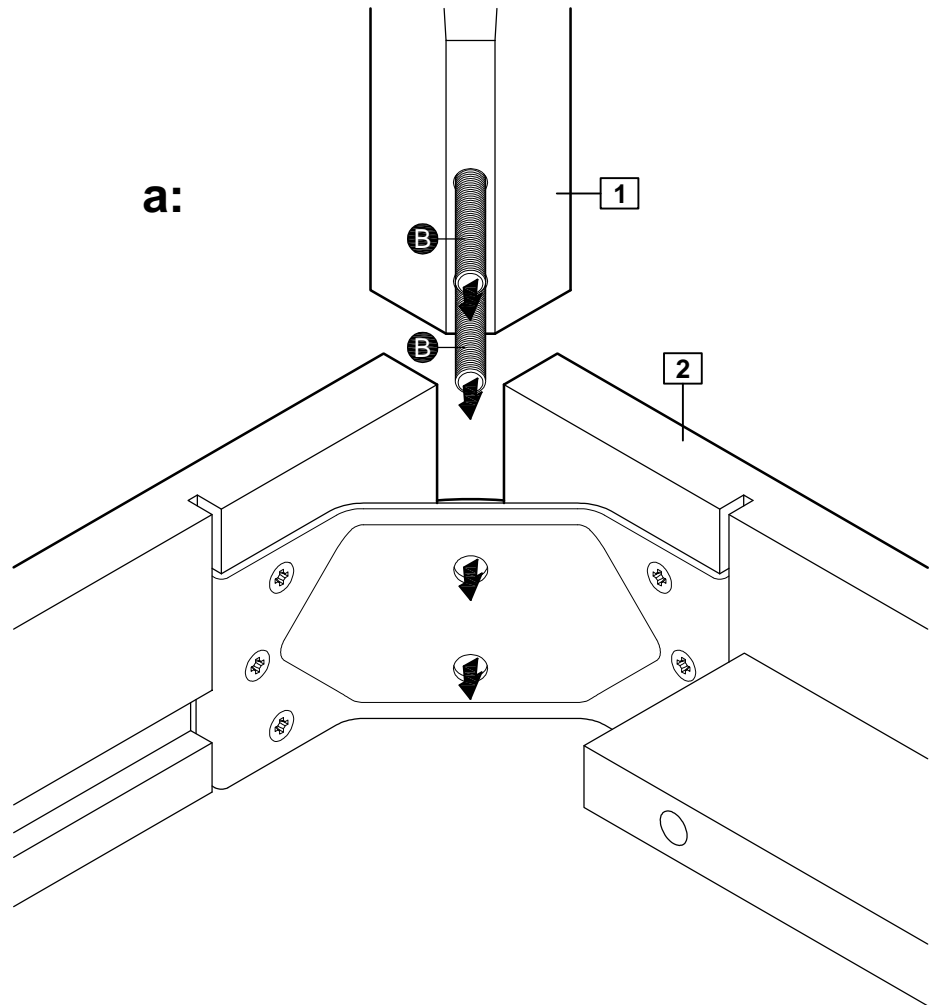
**b:** Insert flat washer **C**, lock washer **D** and hex nut **E** onto the two threaded bolts **B** on leg **1** and in order as shown.

**C** followed by **D**.  
**D** followed by **E**.

Tighten top hex nut **E** then tighten bottom hex nut **E** using spanner **F** as shown.

**Note:** Do not over tighten.

Repeat Step **b** and **c** with the remaining 3 legs.



# Assembly Instructions

## Step 3

### Stand the table upright

Turn thumbscrews clockwise to lock table top in place.

With help, carefully stand dining table upright.



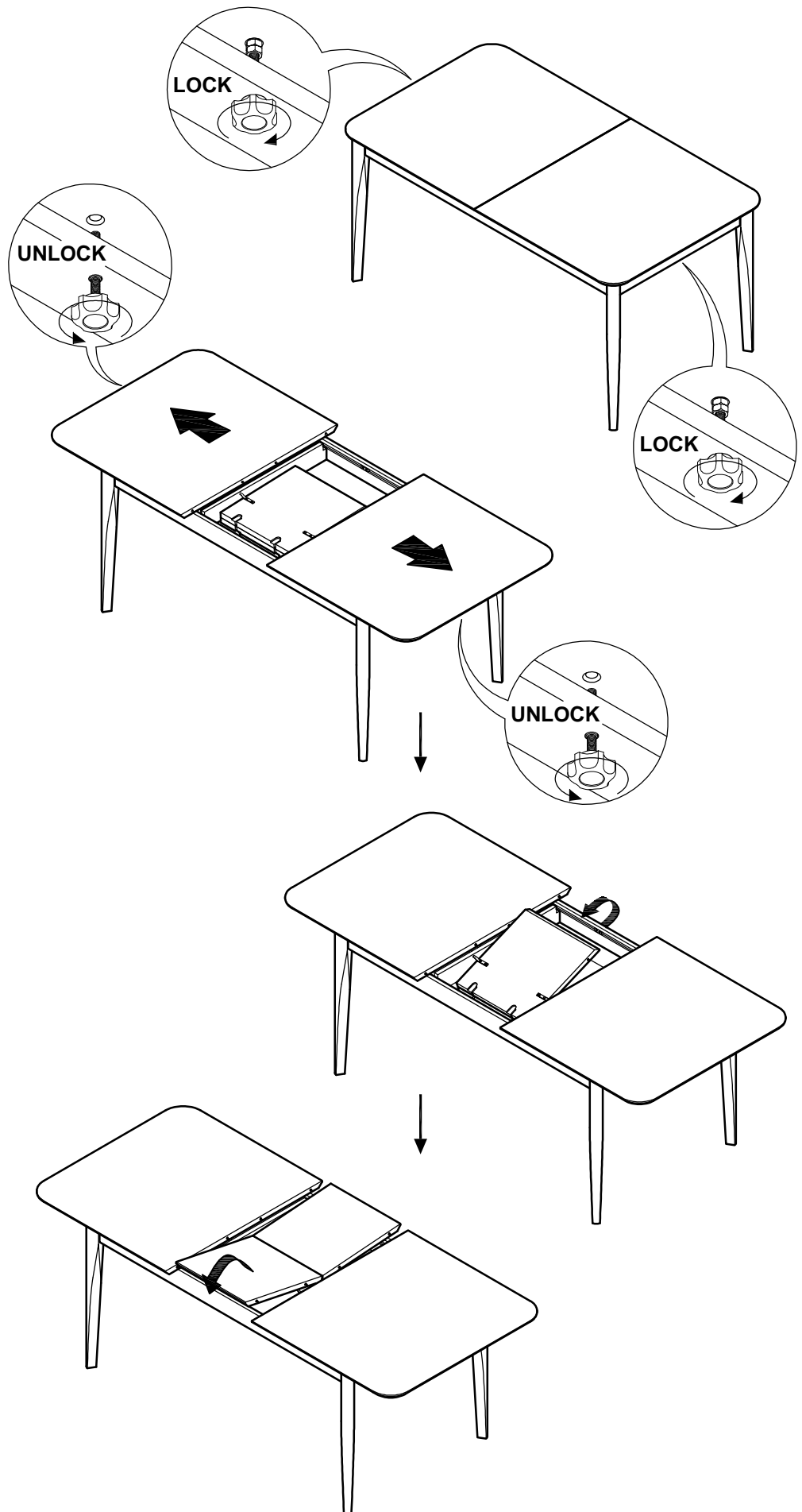
**Important:**

LOCK table top before righting the table.



**Warning:**

The dining table is heavy. Lift with care.



## Step 4

### Extending table

**a:** Locate thumbscrews under table ends and turn counterclockwise until clear of locking holes on underside of table top.

Pull table top apart as shown, until butterfly leaf is clearly visible underneath.



**Important:**

UNLOCK table top before extending the table.

Pull top piece of butterfly leaf up and lay flat as shown.

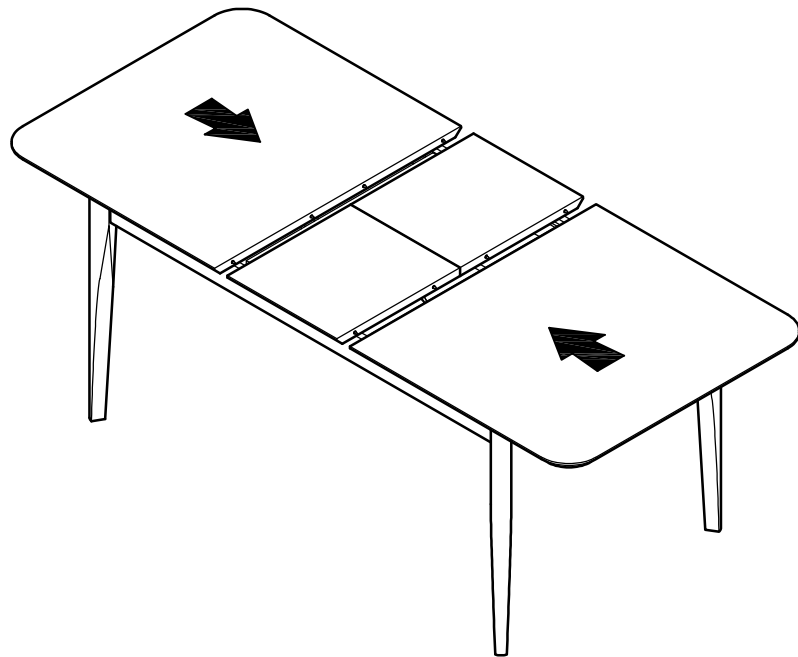
Continued on next page.

# Assembly Instructions

## Step 4 - continued

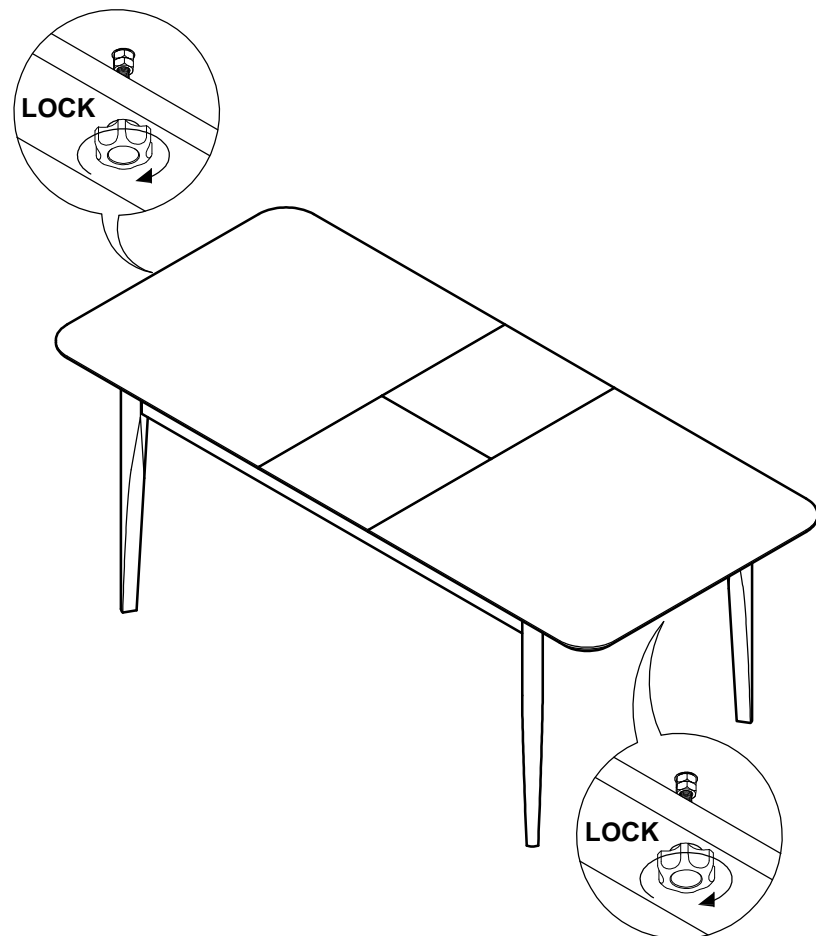
**b:** Push ends of table inwards until no gap is visible.

**Note:** Make sure dowels line up with holes on mating panel to avoid damage.



**c:** Turn thumbscrews clockwise to lock table top in place.

**Note:** To close table, reverse the procedure.

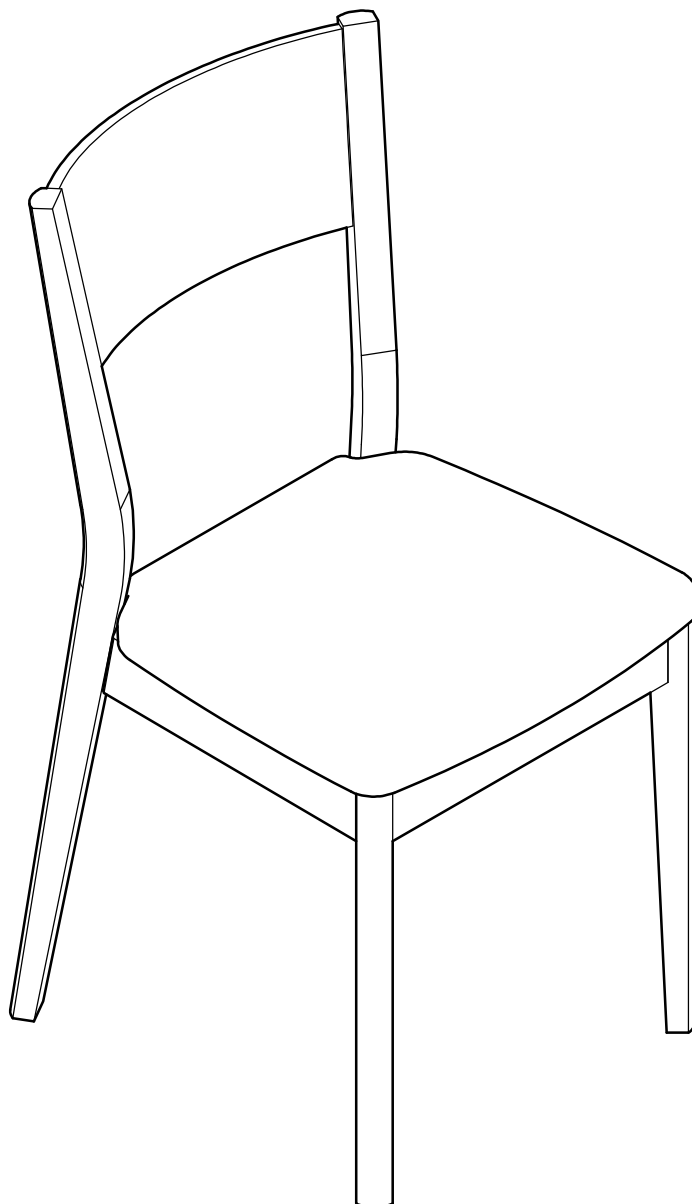


If you need help or have damaged or missing parts, call **the customer Helpline: 08456 400800**

# Emmett - Pair of Wooden Chairs

Assembly Instructions - Please keep for future reference

156/8589



## Dimensions

Width - 44.2cm

Depth - 51.3cm

Height - 88cm

**Important** - Please read these instructions fully before starting assembly.

If you need help or have damaged or missing parts, call the **Customer Helpline: 08456 400800**





# Safety and Care Advice

**Important** - Please read these instructions fully before starting assembly.

- Check you have all the components and tools listed on page 2.
- Remove all fittings from the plastic bags and separate them into their groups.
- Keep children and animals away from the work area, small parts could choke if swallowed.
- Make sure you have enough space to layout the parts before starting.

- Do not stand or put weight on the product, this could cause damage.
- Assemble the item as close to its final position (in the same room) as possible.
- Assemble on a soft flat / firm surface to avoid damaging the unit or your floor.
- Parts of the assembly will be easier with 2 people.



- We do not recommend the use of power drill/ drivers **for inserting screws**, as this could damage the unit. Only use hand screwdrivers.
- Dispose of all packaging carefully and responsibly .

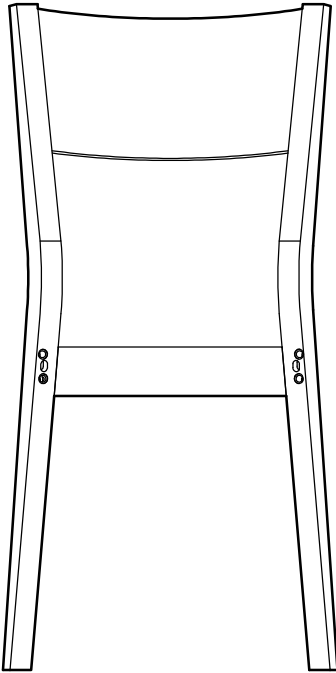
## Care and maintenance

- Only clean using a damp cloth and mild detergent, do not use bleach or abrasive cleaners.
- From time to time check that there are no loose screws on this unit.
- This product should not be discarded with household waste. Take to your local authority waste disposal centre.

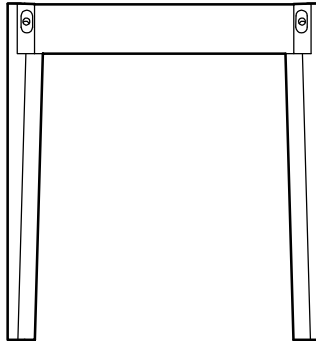
# Components - Panels

If you have damaged or missing components, call the **Customer Helpline: 08456 400800**

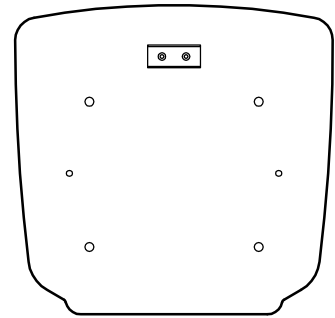
Please check you have all the panels listed below



**1** Back leg frame x 2  
(45.5 x 88cm)



**2** Front leg frame x 2  
(41.4 x 44.4cm)



**3** Seat pad x 2  
(42 x 43cm)



**4** Left apron x 2  
(36 x 6.5cm)

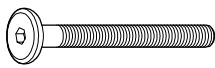
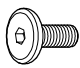
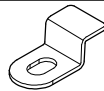
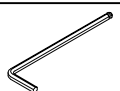


**5** Right apron x 2  
(36 x 6.5cm)

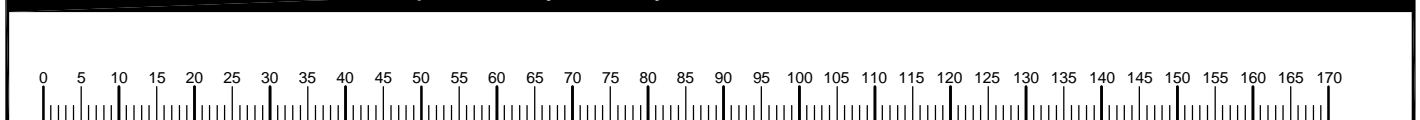
# Components - Fittings

Please check you have all the fittings listed below

**Note:** The quantities below are the correct amount to complete the assembly. In some cases more fittings may be supplied than are required.

<p><b>A</b> </p> <p>60mm Hex head bolt x 12</p>	<p><b>B</b> </p> <p>15mm Hex head bolt x 4</p>	<p><b>C</b> </p> <p>Seat bracket x 4</p>
<p><b>D</b> </p> <p>Allen key x 1</p>		

Ruler - Use this ruler to help correctly identify the screws



# Assembly Instructions

## Step 1

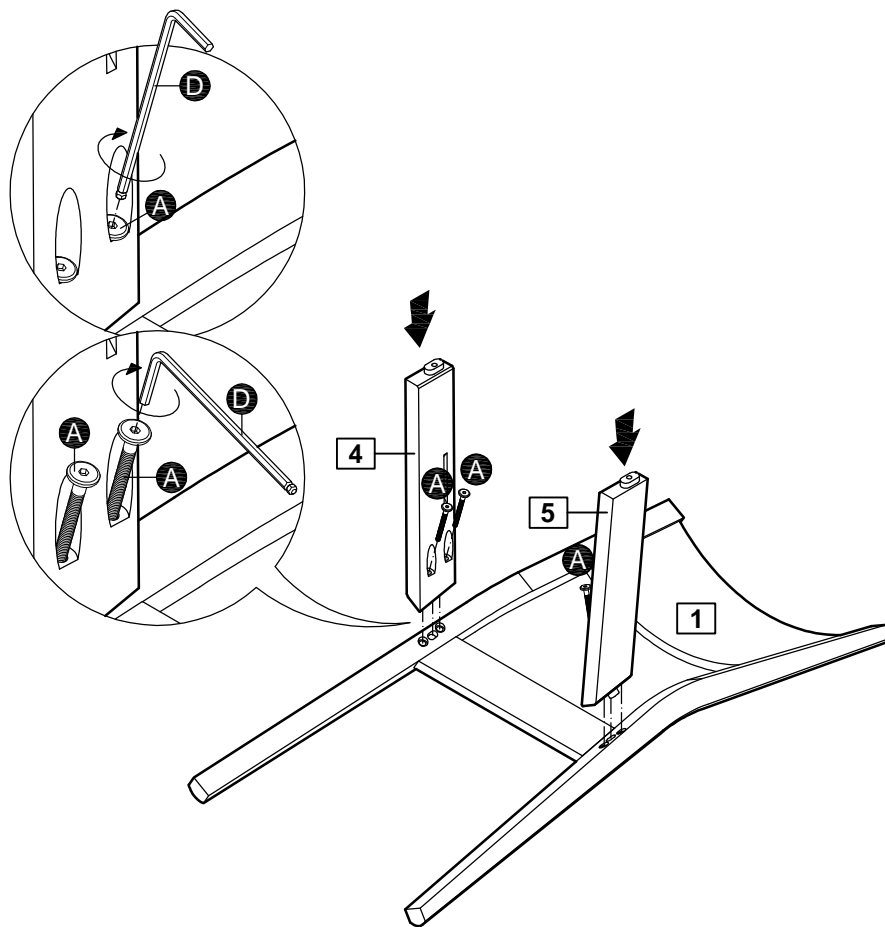
### Attaching aprons

Position aprons **4** and **5** onto back leg frame **1**.

**Note:** Ensure the tenons are aligned correctly with mating back leg frame to avoid damage.

Fix aprons **4** and **5** to back leg frame **1** using 4 bolts **A** as shown.

Use allen key **D** to turn fitting **A** clockwise to fix.

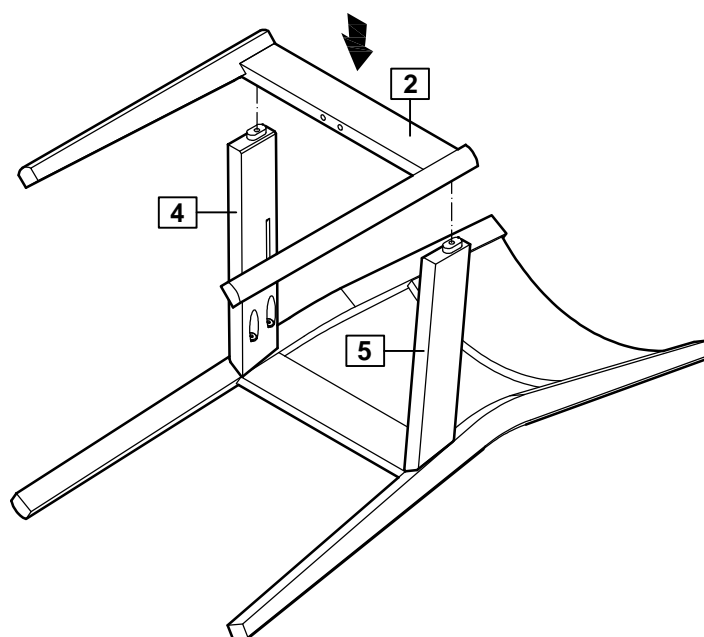


## Step 2

### Attaching front leg frame

Position front leg frame **2** onto aprons **4** and **5**.

**Note:** Ensure the tenons are aligned correctly with mating front leg frame to avoid damage.



# Assembly Instructions

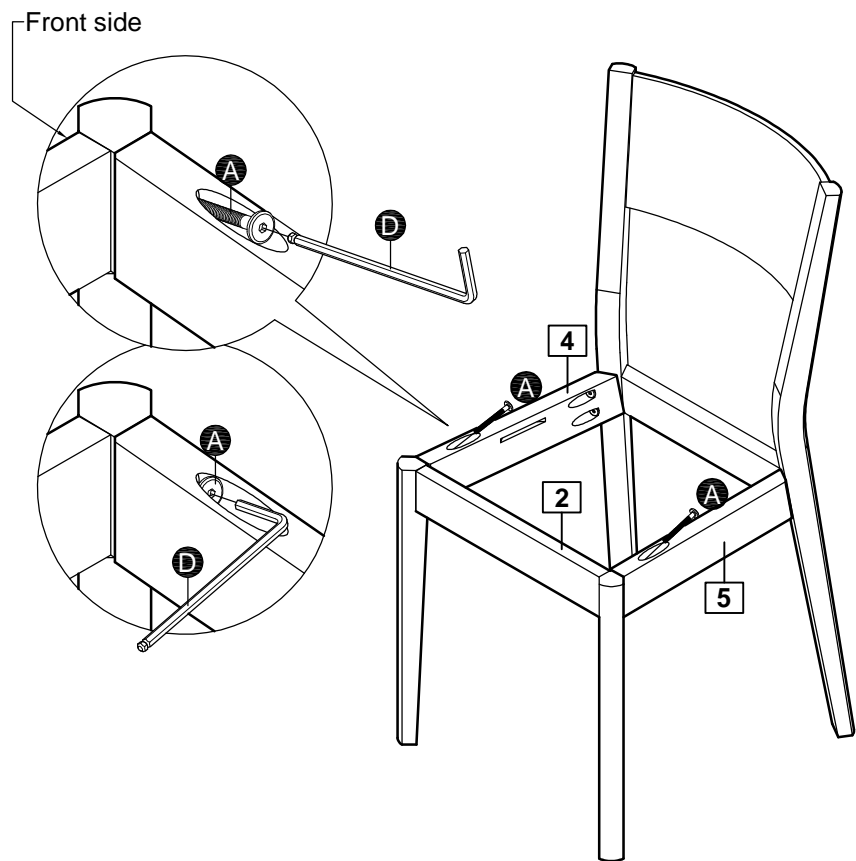
## Step 3

### Fixing front leg frame

Carefully stand chair upright.

Fix front leg frame **2** to aprons **4** and **5** using 2 bolts **A** as shown.

Use allen key **D** to turn fitting **A** clockwise to fix.



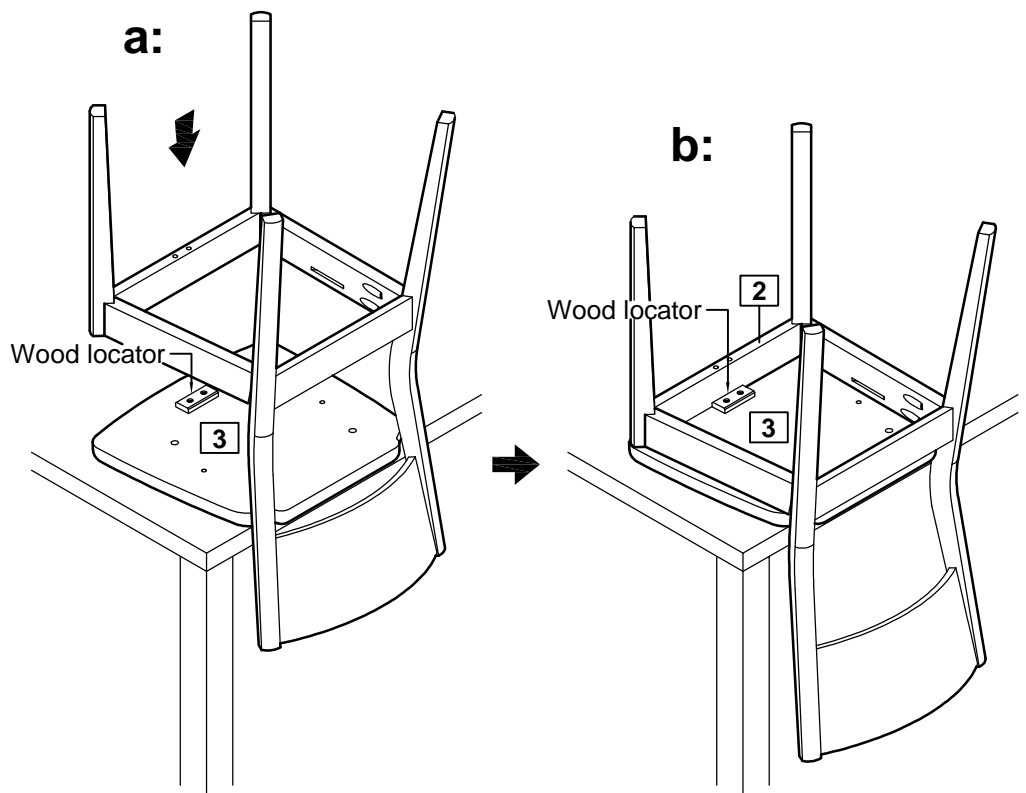
## Step 4

### Placing seat pad.

**a:** Place seat pad **3** on a flat, stable, clean and soft surface as shown.

**b:** Lower the constructed chair frame onto seat pad **3** as shown.

**Note:** Ensure wooden locator block is inside front leg frame **2** as shown.



# Assembly Instructions

## Step 5

### Fixing seat pad.

**a:** Insert 2 seat brackets **C** into the slots on aprons **4** and **5** as shown.

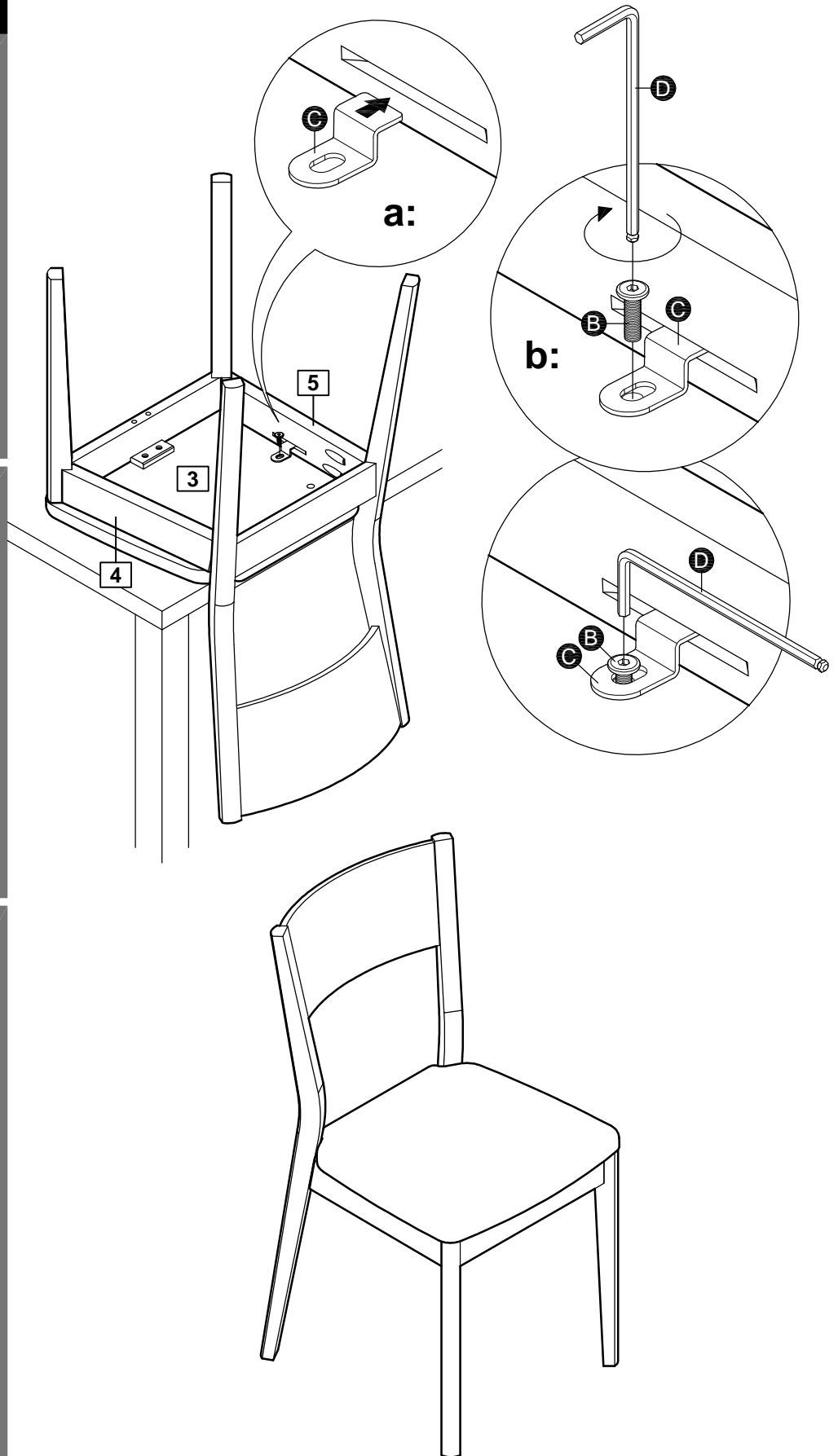
**Note:** Align holes on seat brackets **C** with holes on seat pad **3**.

**b:** Insert 2 bolts **B** into the holes of seat brackets **C** and the holes of mating seat pad **3** as shown.

Use allen key **D** to turn fitting **B** clockwise to fix.

Repeat complete process for second chair.

Assembly is complete.



If you need help or have damaged or missing parts, call the **Customer Helpline: 08456 400800**