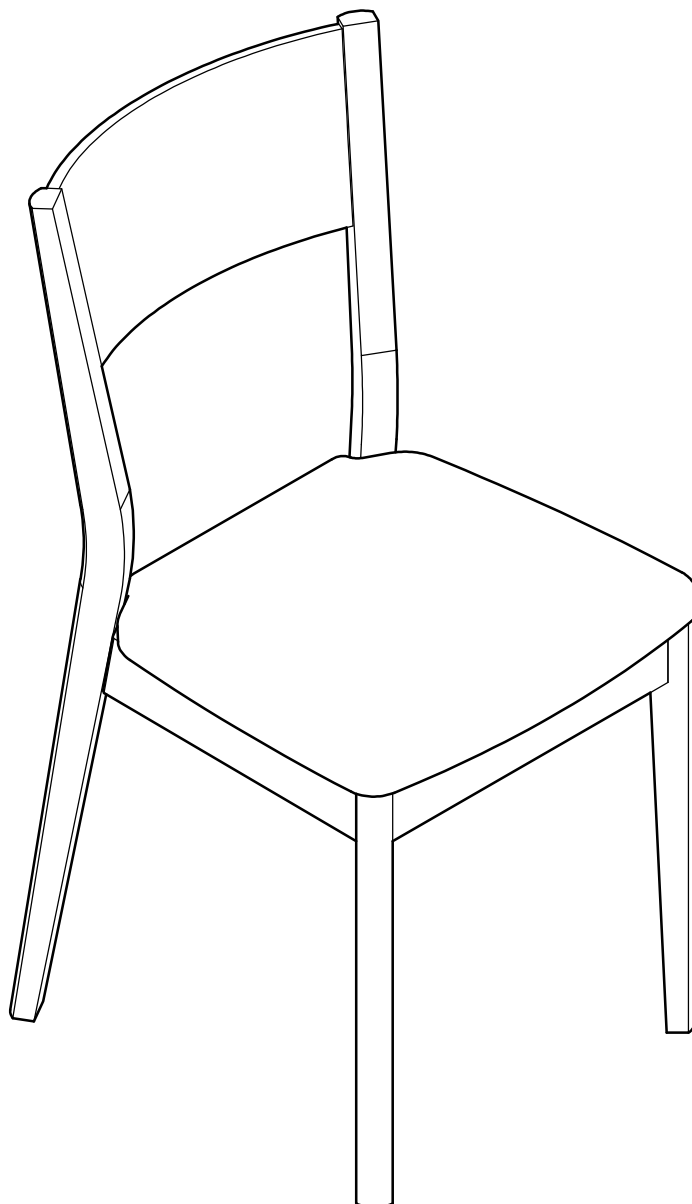


Emmett - Pair of Wooden Chairs

Assembly Instructions - Please keep for future reference

156/8589



Dimensions

Width - 44.2cm

Depth - 51.3cm

Height - 88cm

Important - Please read these instructions fully before starting assembly.

If you need help or have damaged or missing parts, call the **Customer Helpline: 08456 400800**



Safety and Care Advice

Important - Please read these instructions fully before starting assembly.

- Check you have all the components and tools listed on page 2.
- Remove all fittings from the plastic bags and separate them into their groups.
- Keep children and animals away from the work area, small parts could choke if swallowed.
- Make sure you have enough space to layout the parts before starting.

- Do not stand or put weight on the product, this could cause damage.
- Assemble the item as close to its final position (in the same room) as possible.
- Assemble on a soft flat / firm surface to avoid damaging the unit or your floor.
- Parts of the assembly will be easier with 2 people.



- We do not recommend the use of power drill/ drivers **for inserting screws**, as this could damage the unit. Only use hand screwdrivers.
- Dispose of all packaging carefully and responsibly .

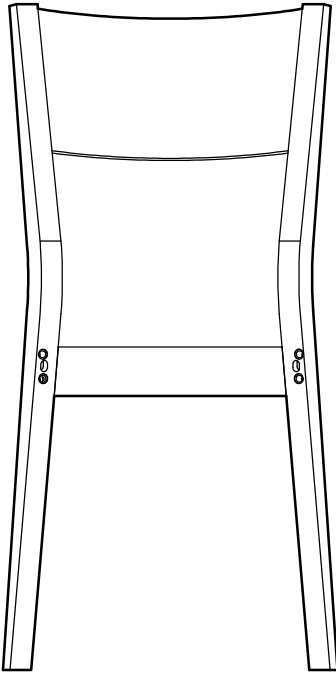
Care and maintenance

- Only clean using a damp cloth and mild detergent, do not use bleach or abrasive cleaners.
- From time to time check that there are no loose screws on this unit.
- This product should not be discarded with household waste. Take to your local authority waste disposal centre.

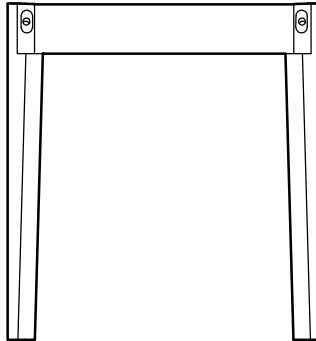
Components - Panels

If you have damaged or missing components, call the **Customer Helpline: 08456 400800**

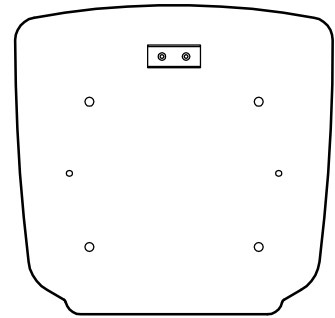
Please check you have all the panels listed below



1 Back leg frame x 2
(45.5 x 88cm)



2 Front leg frame x 2
(41.4 x 44.4cm)



3 Seat pad x 2
(42 x 43cm)



4 Left apron x 2
(36 x 6.5cm)

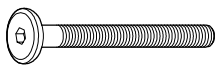
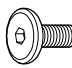
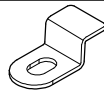
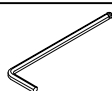


5 Right apron x 2
(36 x 6.5cm)

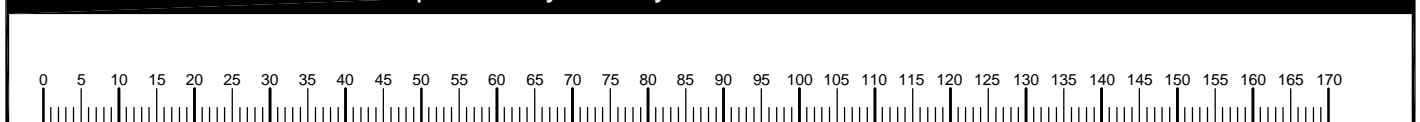
Components - Fittings

Please check you have all the fittings listed below

Note: The quantities below are the correct amount to complete the assembly. In some cases more fittings may be supplied than are required.

<p>A </p> <p>60mm Hex head bolt x 12</p>	<p>B </p> <p>15mm Hex head bolt x 4</p>	<p>C </p> <p>Seat bracket x 4</p>
<p>D </p> <p>Allen key x 1</p>		

Ruler - Use this ruler to help correctly identify the screws



Assembly Instructions

Step 1

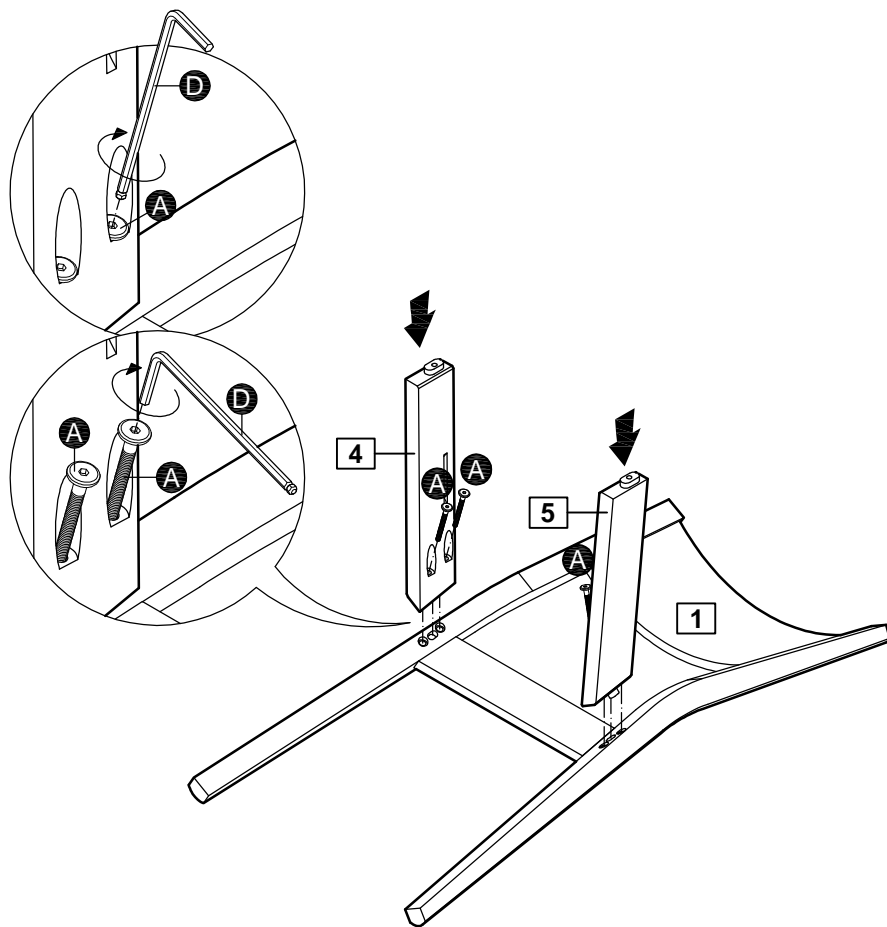
Attaching aprons

Position aprons **4** and **5** onto back leg frame **1**.

Note: Ensure the tenons are aligned correctly with mating back leg frame to avoid damage.

Fix aprons **4** and **5** to back leg frame **1** using 4 bolts **A** as shown.

Use allen key **D** to turn fitting **A** clockwise to fix.

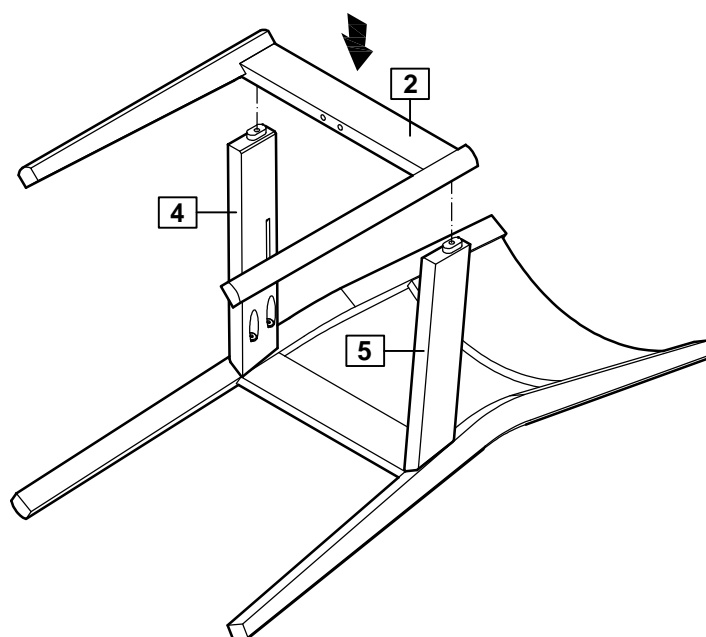


Step 2

Attaching front leg frame

Position front leg frame **2** onto aprons **4** and **5**.

Note: Ensure the tenons are aligned correctly with mating front leg frame to avoid damage.



Assembly Instructions

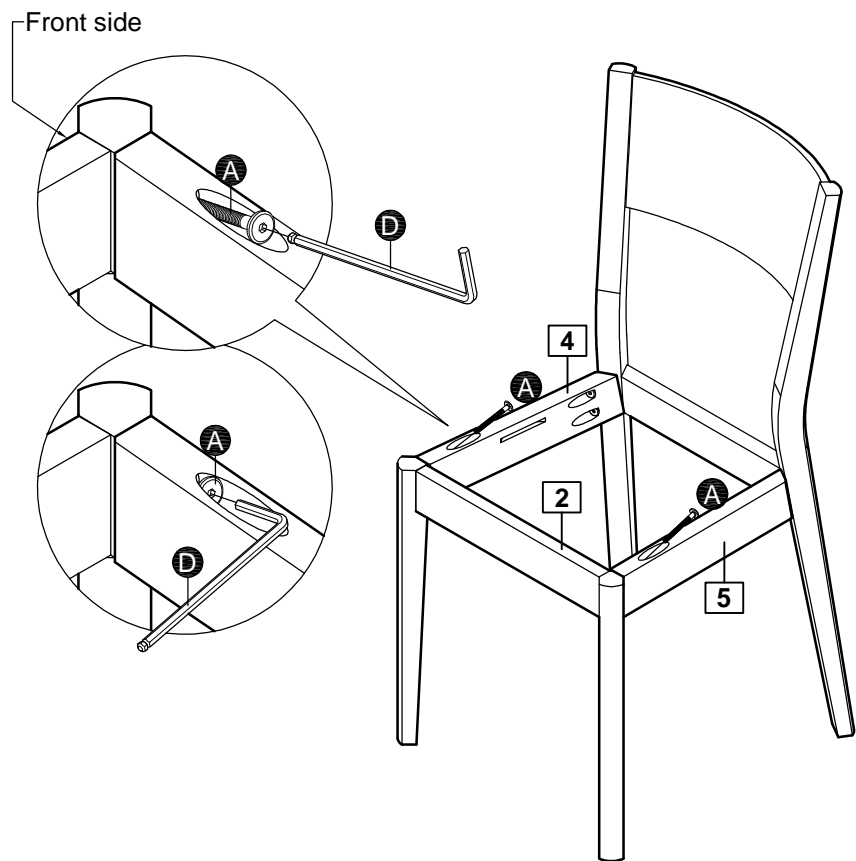
Step 3

Fixing front leg frame

Carefully stand chair upright.

Fix front leg frame **2** to aprons **4** and **5** using 2 bolts **A** as shown.

Use allen key **D** to turn fitting **A** clockwise to fix.



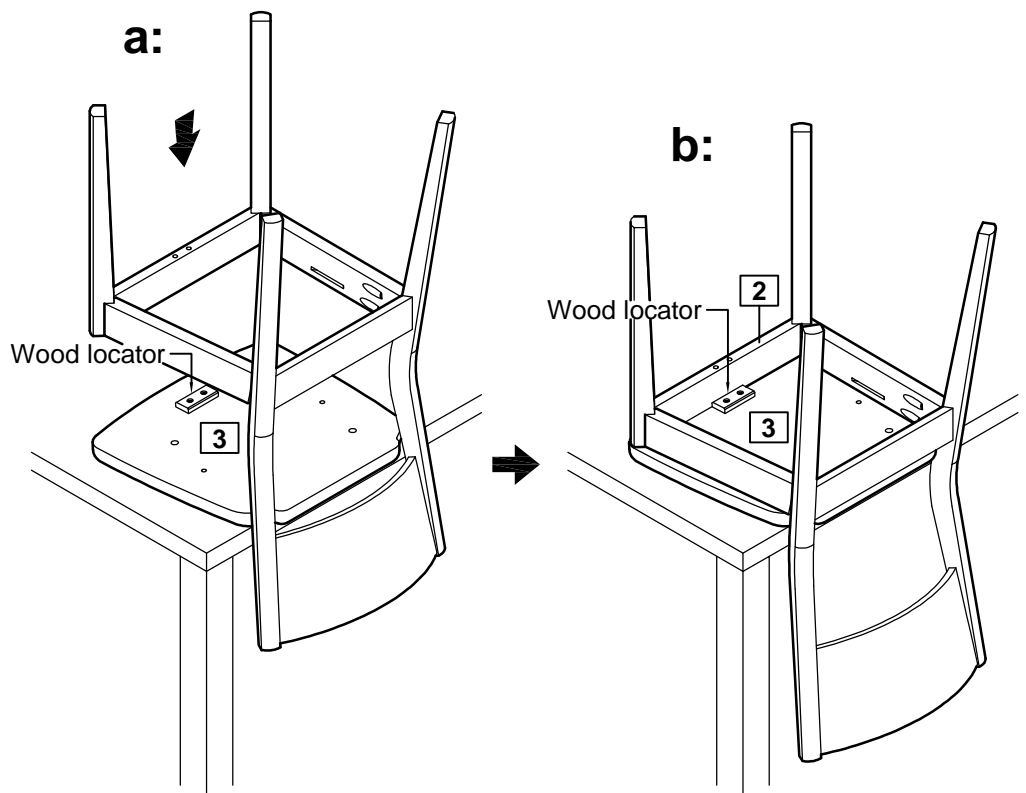
Step 4

Placing seat pad.

a: Place seat pad **3** on a flat, stable, clean and soft surface as shown.

b: Lower the constructed chair frame onto seat pad **3** as shown.

Note: Ensure wooden locator block is inside front leg frame **2** as shown.



Assembly Instructions

Step 5

Fixing seat pad.

a: Insert 2 seat brackets **C** into the slots on aprons **4** and **5** as shown.

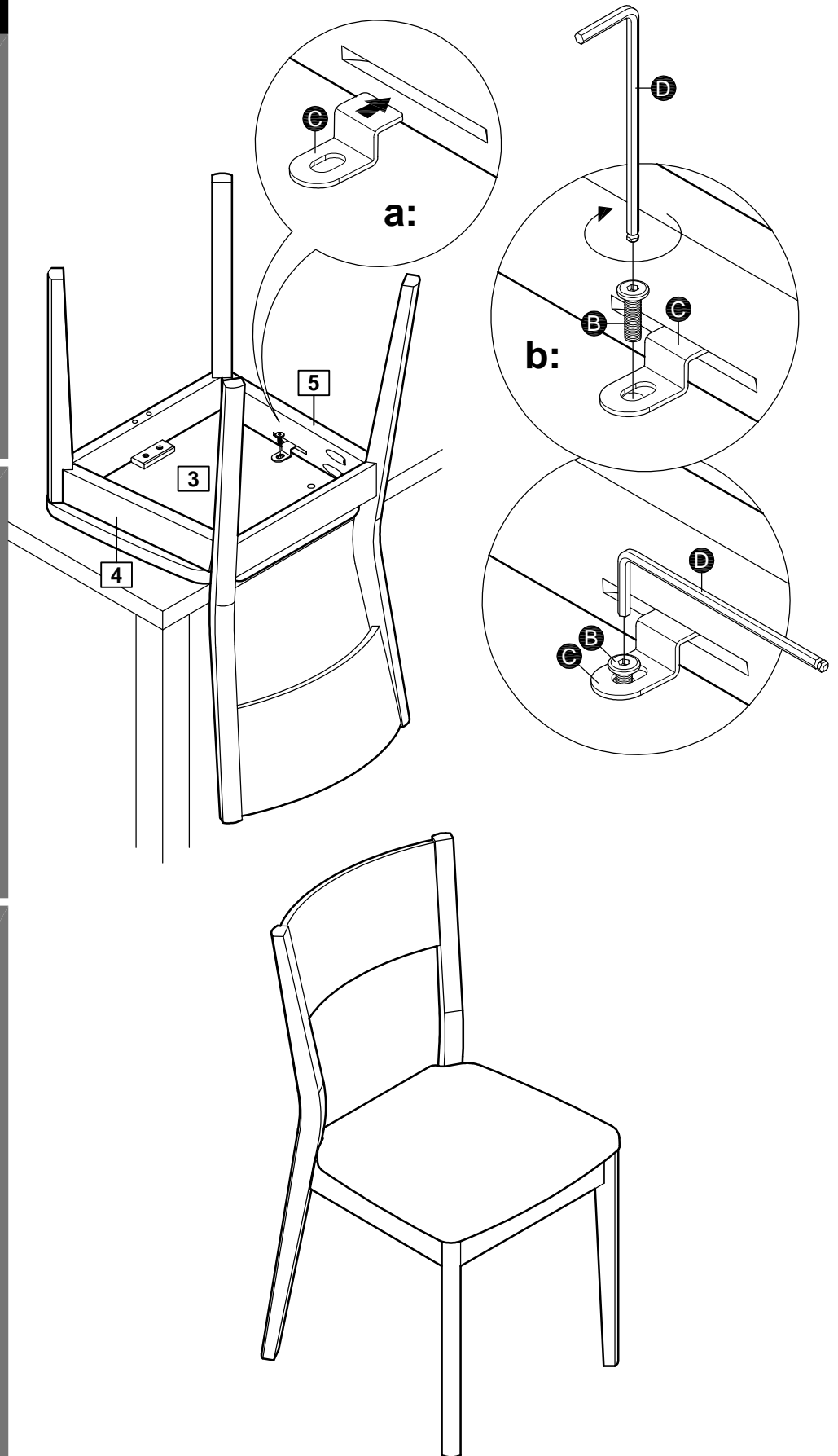
Note: Align holes on seat brackets **C** with holes on seat pad **3**.

b: Insert 2 bolts **B** into the holes of seat brackets **C** and the holes of mating seat pad **3** as shown.

Use allen key **D** to turn fitting **B** clockwise to fix.

Repeat complete process for second chair.

Assembly is complete.



If you need help or have damaged or missing parts, call the **Customer Helpline: 08456 400800**