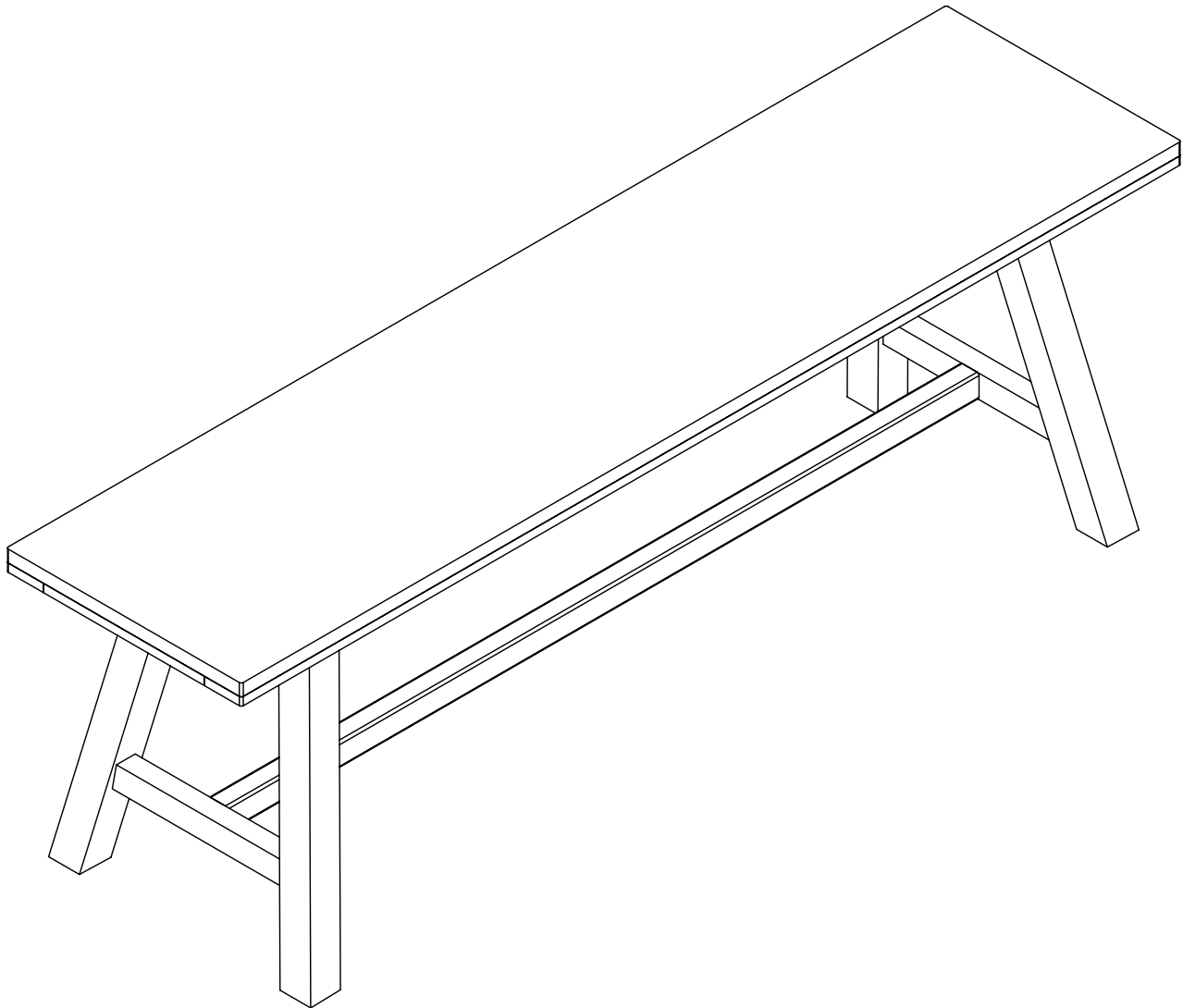


# Cannonbury Bench

Assembly Instructions - Please keep for future reference

132/3779

## SCHREIBER



### Dimensions

Width - 140cm  
Depth - 35cm  
Height - 45cm

**Important - Please read these instructions fully before starting assembly**

If you need help or have damaged or missing parts, call the **Customer Helpline: 08450 778 888**



# Safety and Care Advice

**Important** - Please read these instructions fully before starting assembly

- Check you have all the components and tools listed on page 2.
- Remove all fittings from the plastic bags and separate them into their groups.
- Keep children and animals away from the work area, small parts could choke if swallowed.
- Make sure you have enough space to layout the parts before starting.

- Do not stand or put weight on the product, this could cause damage.
- Assemble the item as close to its final position (in the same room) as possible.
- Assemble on a soft level surface to avoid damaging the unit or your floor.
- Parts of the assembly will be easier with 2 people.



- We do not recommend the use of power drill/drivers **for inserting screws**, as this could damage the unit. Only use hand screwdrivers.
- Assemble on a soft level surface to avoid damaging the unit or your floor.
- Dispose of all packaging carefully and responsibly.

**Glue safety** - Take care when using glue, please follow the advice below

**Skin contact:** Remove contamination by washing with soap and water. This procedure should also be followed prior to eating and drinking.

**Eye contact:** Rinse immediately with clean water for 15 minutes and seek medical advice.

**If swallowed:** Seek medical advice immediately.

## Care and maintenance

• Only clean using a damp cloth and mild detergent, do not use bleach or abrasive cleaners.

• From time to time check that there are no loose screws on this unit.

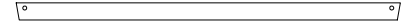
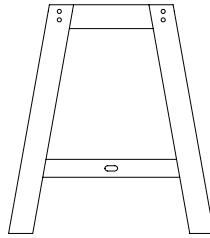
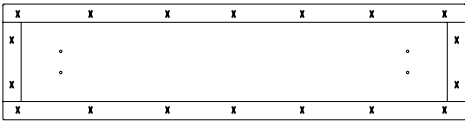
• This product should not be discarded with household waste. Take to your local authority waste disposal centre.

**Note:** if required the next page can be cut out and used as reference throughout the assembly. Keep this page with these instructions for future reference.

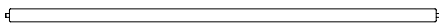
# Components - Panels

If you have damaged or missing componets, call the **Customer Helpline:08450 778 888**

Please check you have all the panels listed below



- 1** Seat panel × 1 (140 × 35cm)      **2** Side frame × 2 (43.2 × 38.8cm)      **3** Cross bar, top × 2 (100.8 × 4.5cm)

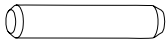
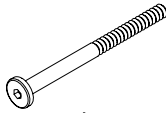
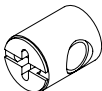
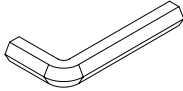
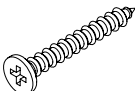


- 4** Cross bar, down × 1 (113.9 × 3.4cm)

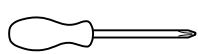
# Components - Fittings

Please check you have all the fittings listed below

**Note:** The quantities below are the correct amount to complete the assembly. In some cases more fittings may be supplied than are required.

|  |  |  |
|--|--|--|
| <p><b>A</b> </p> <p>40mm Wooden dowel × 8</p> | <p><b>B</b> </p> <p>70mm Screw × 4</p>  | <p><b>C</b> </p> <p>Locking nut × 4</p> |
| <p><b>D</b> </p> <p>Allen key × 1</p>         | <p><b>E</b> </p> <p>45mm Screw × 18</p> |  |

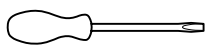
## Tools required



Phillips screwdriver  
(medium & large)



Small  
hammer



Flatblade screwdriver  
(medium)

**Ruler** - Use this ruler to help correctly identify the screws



# Assembly Instructions

## Step 1

⚠ Entire assembly will be easier with 2 people.

Insert 2 Wooden dowels **A** into the holes where as shown.

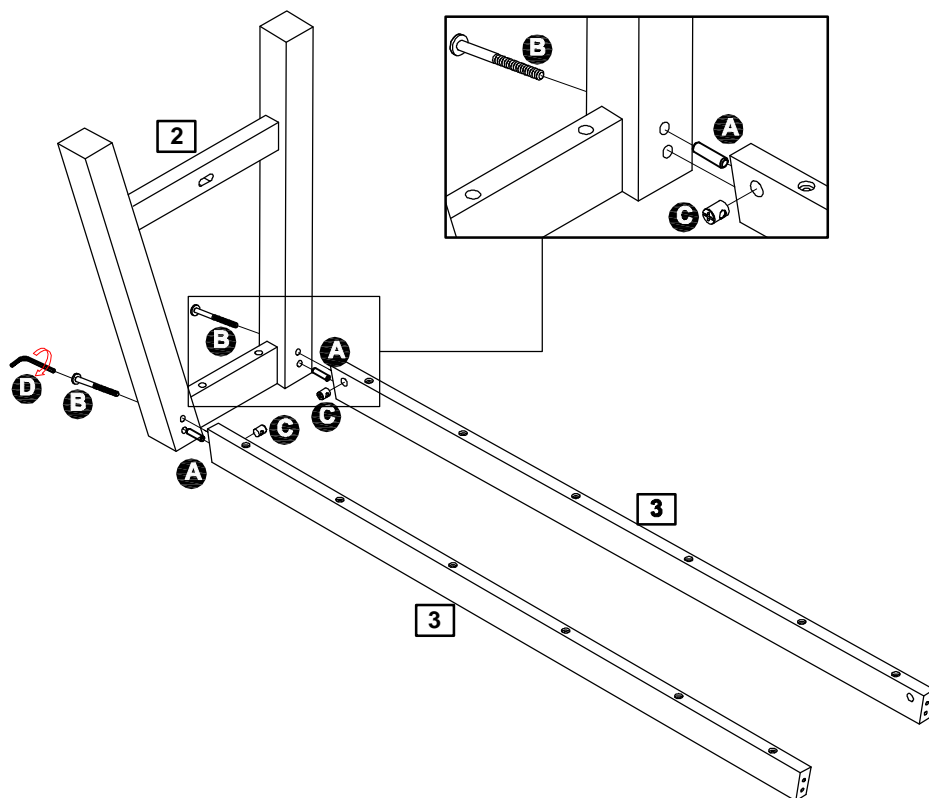
Attach Side frame **2** to 2 Cross bars, top **3** by inserting 2 Screws **B**.

Fix 2 Locking nuts **C** to the holes where as shown.

**Note:** Use Allen key **D** to turn Screws clockwise to lock.

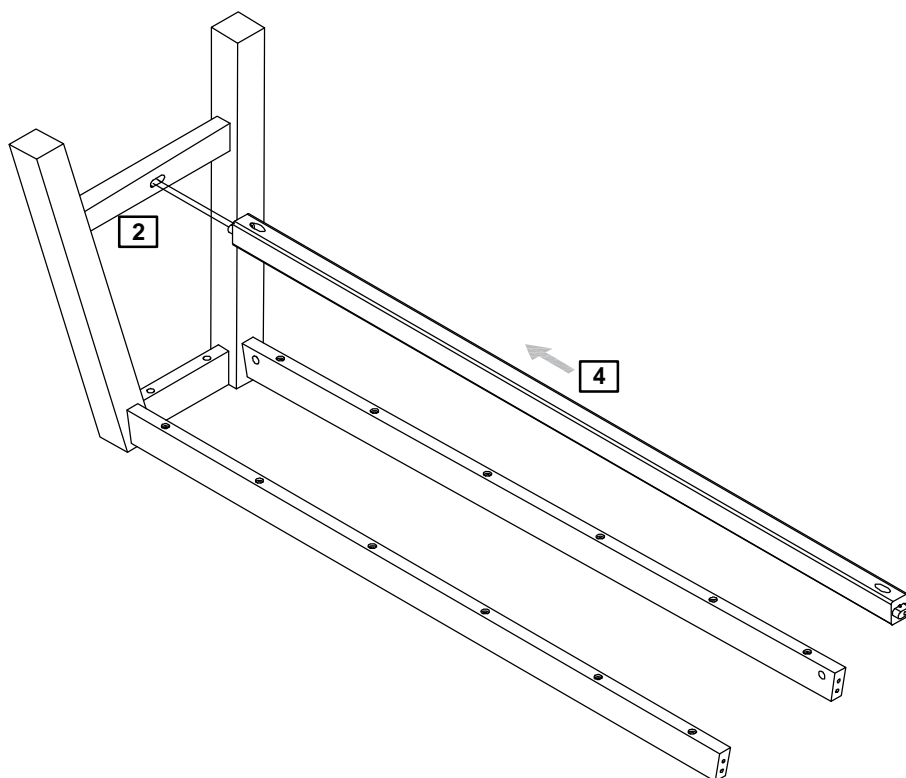
Use a Screwdriver to turn Locking nuts **C** clockwise to lock.

**Do not over tighten.**



## Step 2

Attach Cross bar, down **4** to the hole where as shown.



# Assembly Instructions

## Step 3

Insert 2 Wooden dowels **A** into the holes where as shown.

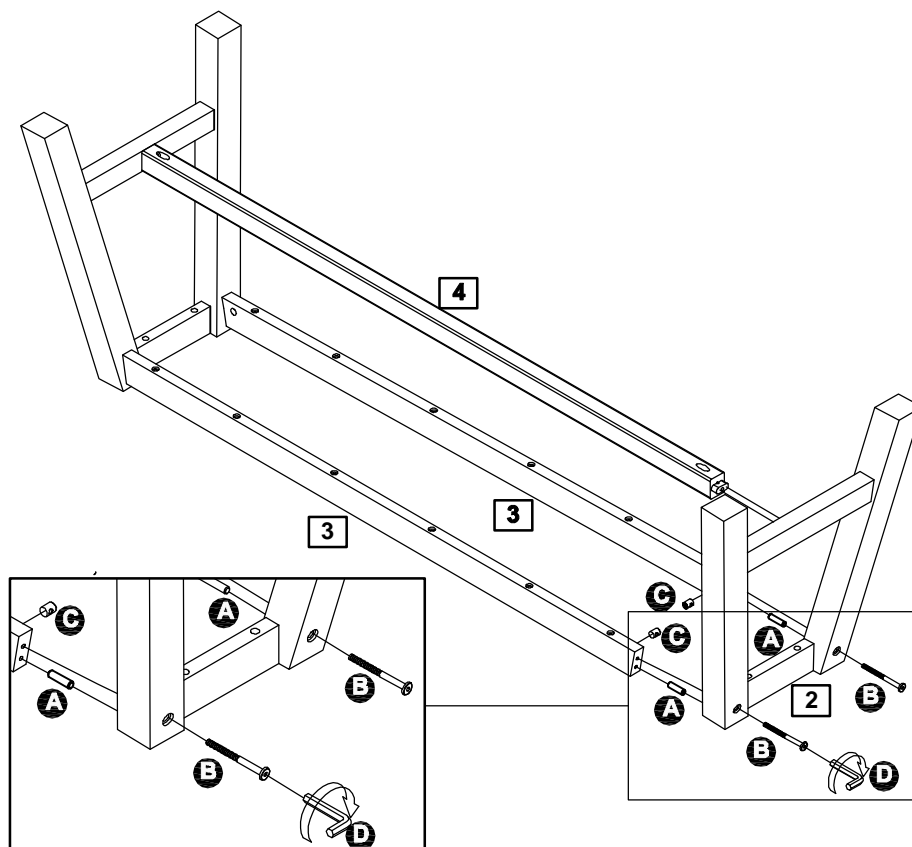
Attach another side frame **2** to the unit by inserting 2 Screws **B**.

Fix 2 Locking nuts **C** to the holes where as shown.

**Note:** Use Allen key **D** to turn Screws clockwise to lock.

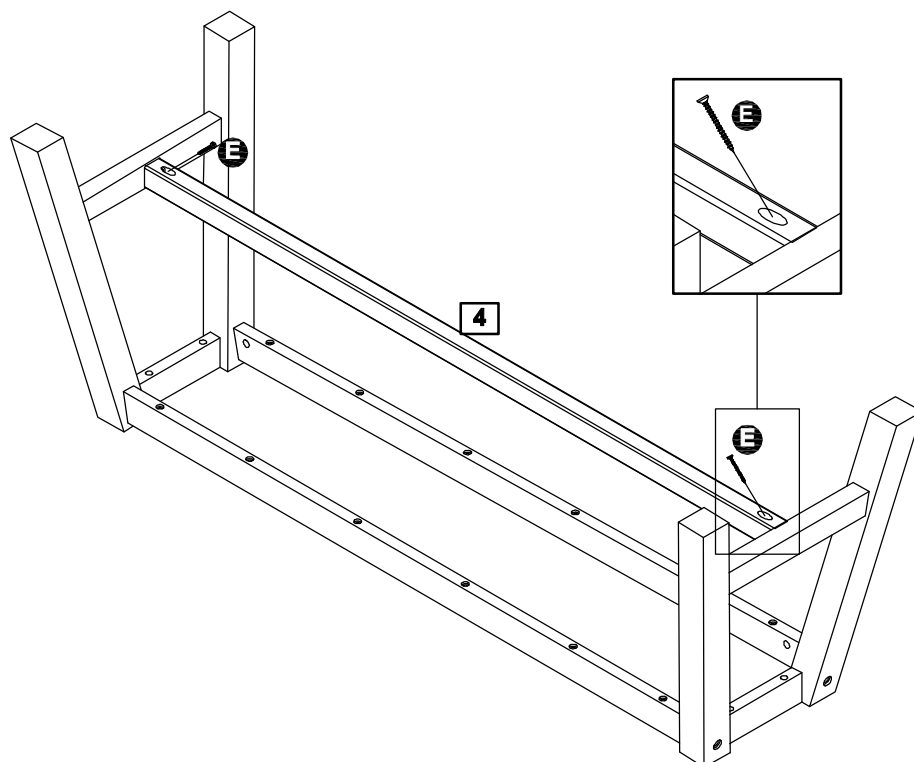
Use a Screwdriver to turn Locking nuts **C** clockwise to lock.

**Do not over tighten.**



## Step 4

Insert 2 Screws **E** to the holes where as shown.

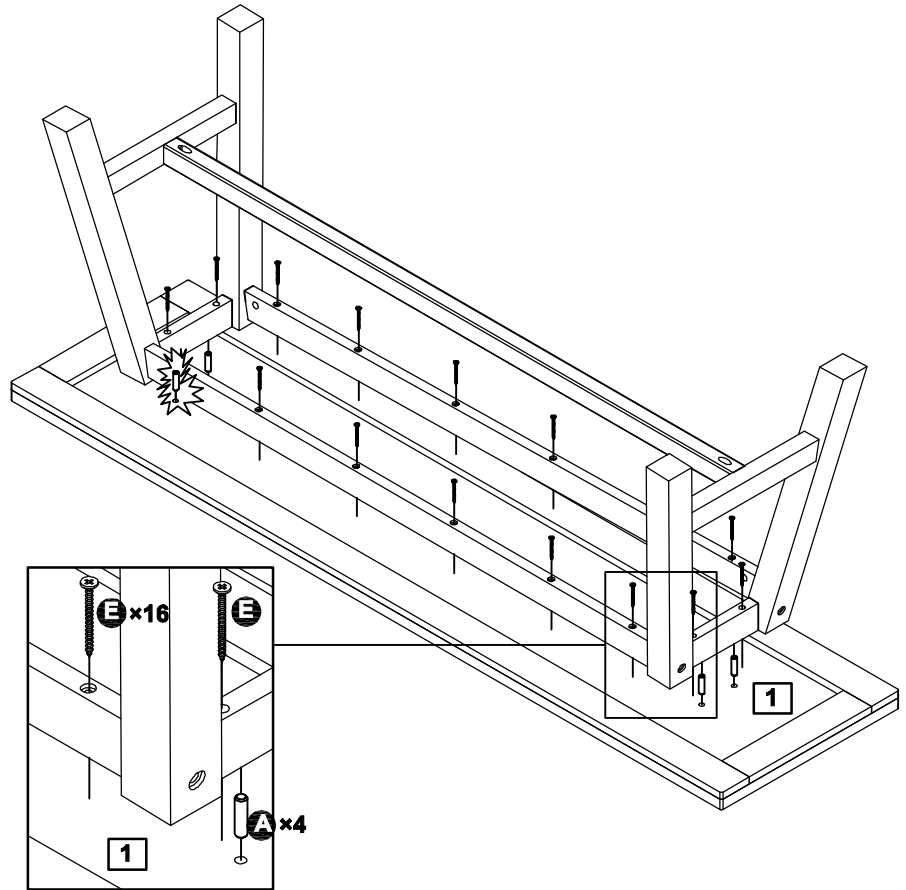


# Assembly Instructions

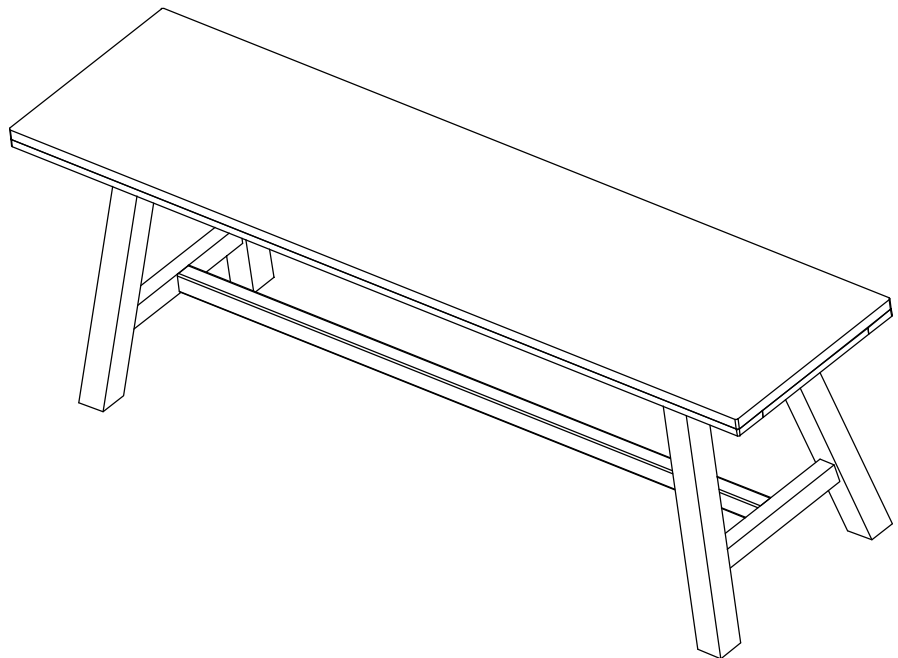
## Step 5

Attach the unit to the seat panel **1** by using 4 Wooden dowel **A** & 16 Screws **E**.

**Note:** Use Allen key **D** to turn Screws clockwise to lock.



**Assembly is complete.**



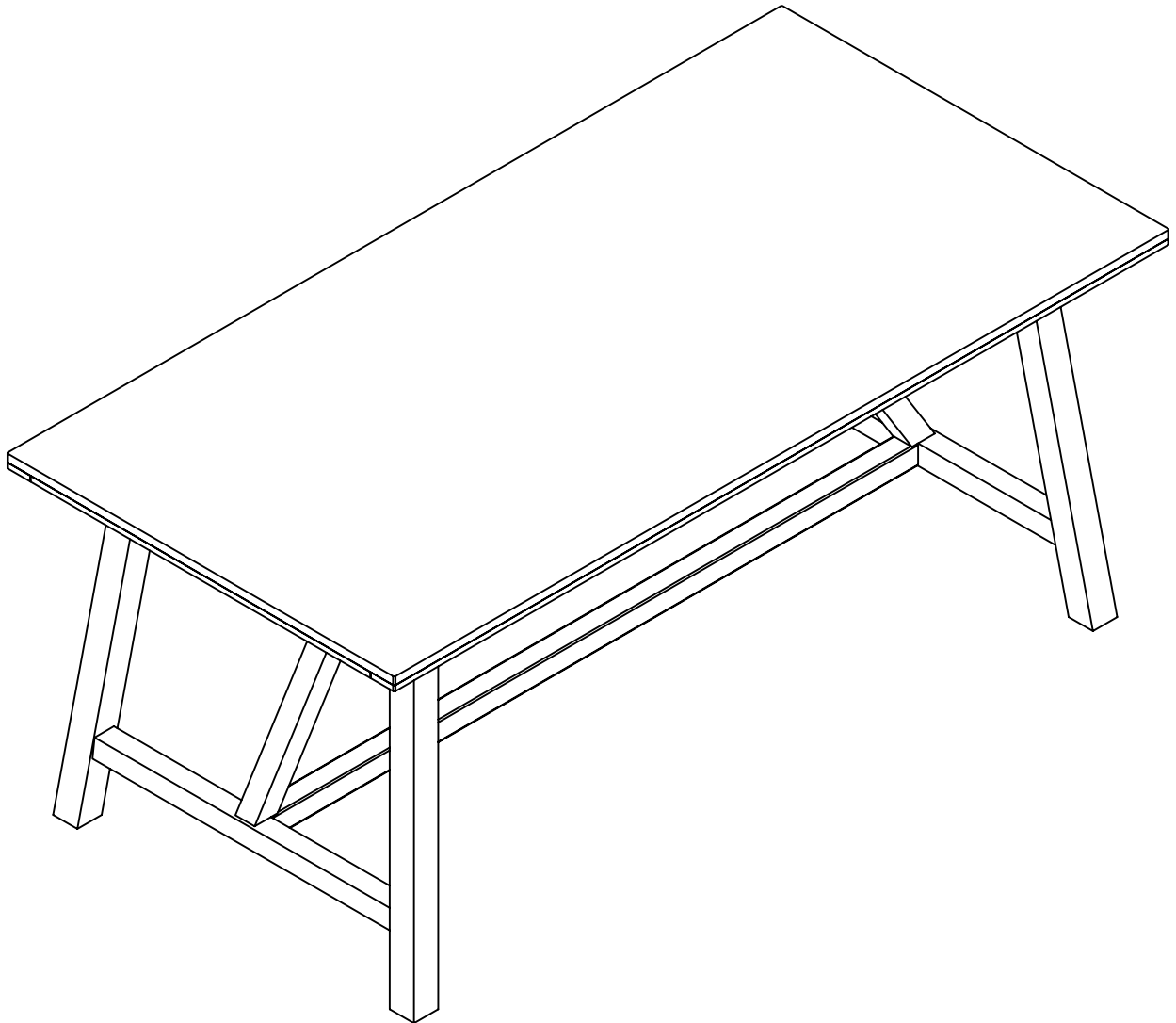
If you need help or have damaged or missing parts, call the **Customer Helpline: 08450 778 888**  
Homebase Limited  
489-499 Avebury Boulevard Saxon Gate West Central Milton Keynes Bucks, MK9 2NW

# Cannonbury Table

Assembly Instructions - Please keep for future reference

132/3786

## SCHREIBER



### Dimensions

Width - 180cm  
Depth - 90cm  
Height - 75cm

**Important - Please read these instructions fully before starting assembly**

If you need help or have damaged or missing parts, call the **Customer Helpline: 08450 778 888**



# Safety and Care Advice

## Important - Please read these instructions fully before starting assembly

- Check you have all the components and tools listed on page 2.
- Remove all fittings from the plastic bags and separate them into their groups.
- Keep children and animals away from the work area, small parts could choke if swallowed.
- Make sure you have enough space to layout the parts before starting.

- Do not stand or put weight on the product, this could cause damage.
- Assemble the item as close to its final position (in the same room) as possible.
- Assemble on a soft level surface to avoid damaging the unit or your floor.
- Parts of the assembly will be easier with 2 people.



• We do not recommend the use of power drill/drivers **for inserting screws**, as this could damage the unit. Only use hand screwdrivers.

- Assemble on a soft level surface to avoid damaging the unit or your floor.
- Dispose of all packaging carefully and responsibly.

## Glue safety - Take care when using glue, please follow the advice below

**Skin contact:** Remove contamination by washing with soap and water. This procedure should also be followed prior to eating and drinking.

**Eye contact:** Rinse immediately with clean water for 15 minutes and seek medical advice.

**If swallowed:** Seek medical advice immediately.

## Care and maintenance

• Only clean using a damp cloth and mild detergent, do not use bleach or abrasive cleaners.

• From time to time check that there are no loose screws on this unit.

• This product should not be discarded with household waste. Take to your local authority waste disposal centre.

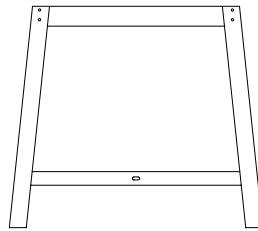
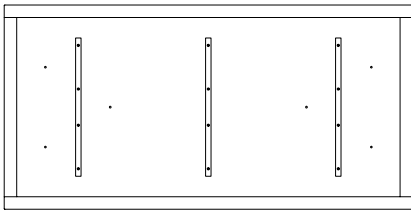
**Note:** if required the next page can be cut out and used as reference throughout the assembly. Keep this page with these instructions for future reference.



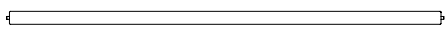
# Components - Panels

If you have damaged or missing componets, call the **Customer Helpline:08450 778 888**

Please check you have all the panels listed below



- 1** Top panel × 1 (180 × 90cm)    **2** Side frame × 2 (73.2 × 83.8cm)    **3** Cross bar, top× 2 (138.6 × 6.8cm)

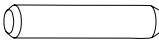
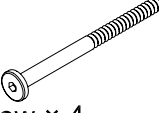
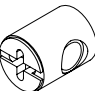
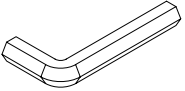
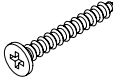
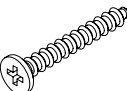


- 4** Cross bar, down× 1 (152.2 × 4.5cm)    **5** Support bar× 2 (66.9 × 4.5cm)

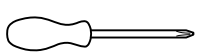
# Components - Fittings

Please check you have all the fittings listed below

**Note:** The quantities below are the correct amount to complete the assembly. In some cases more fittings may be supplied than are required.

|   |   |  |
|---|---|--|
| <p><b>A</b> </p> <p>40mm Wooden dowel × 10</p> | <p><b>B</b> </p> <p>80mm Screw × 4</p> | <p><b>C</b> </p> <p>Locking nut × 4</p> |
| <p><b>D</b> </p> <p>Allen key × 1</p>          | <p><b>E</b> </p> <p>30mm Screw × 4</p> | <p><b>F</b> </p> <p>45mm Screw × 26</p> |

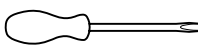
## Tools required



Phillips screwdriver  
(medium & large)



Small  
hammer



Flatblade screwdriver  
(medium)

**Ruler** - Use this ruler to help correctly identify the screws



# Assembly Instructions

## Step 1

⚠ Entire assembly will be easier with 2 people.

Insert 2 Wooden dowels **A** into the holes where as shown.

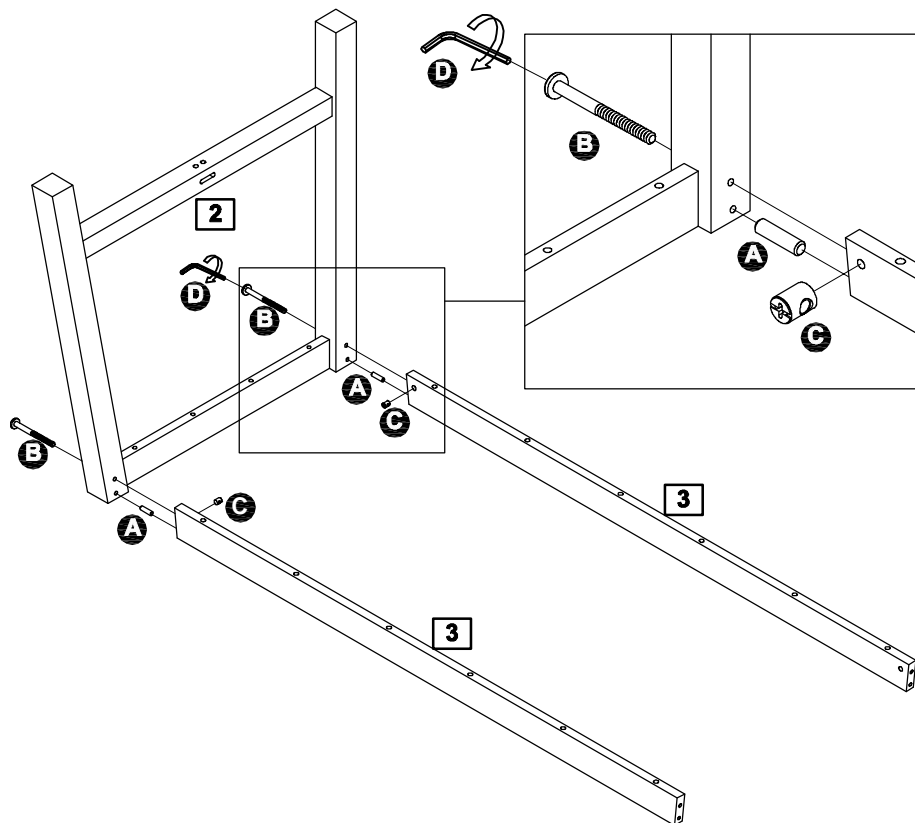
Attach Side frame **2** to 2 Cross bars, top **3** by inserting 2 Screws **B**.

Fix 2 Locking nuts **C** to the holes where as shown.

**Note:** Use Allen key **D** to turn Screws clockwise to lock.

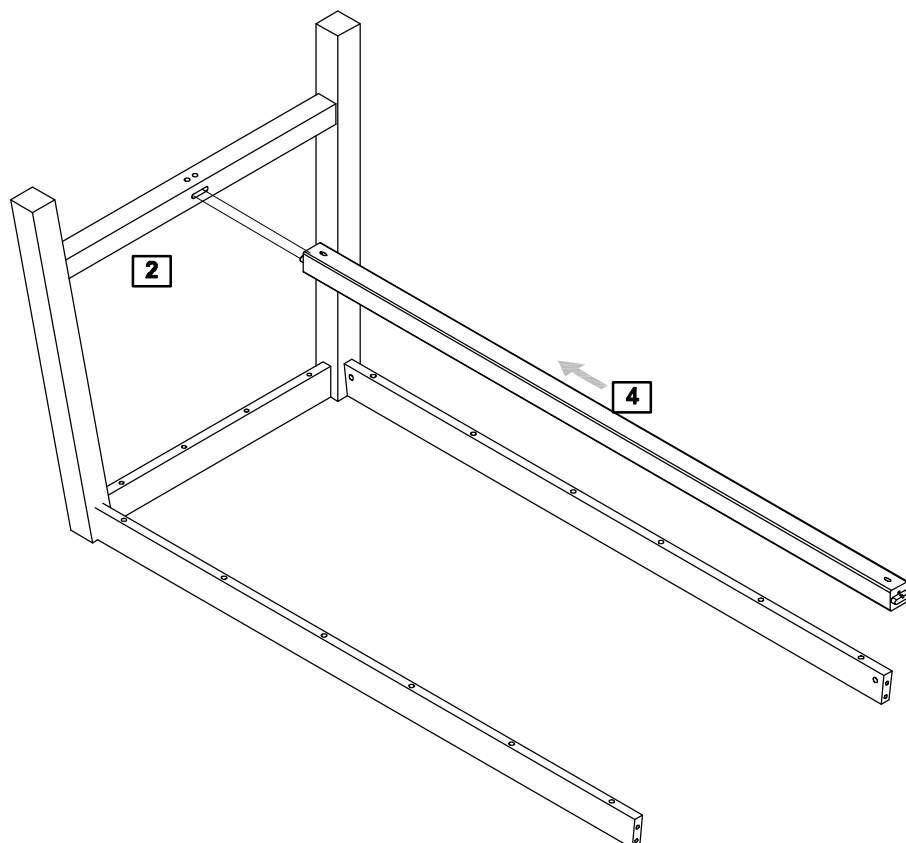
Use a Screwdriver to turn Locking nuts **C** clockwise to lock.

**Do not over tighten.**



## Step 2

Attach Cross bar, down **4** to the hole where as shown.



# Assembly Instructions

## Step 3

Insert 2 Wooden dowels **A** into the holes where as shown.

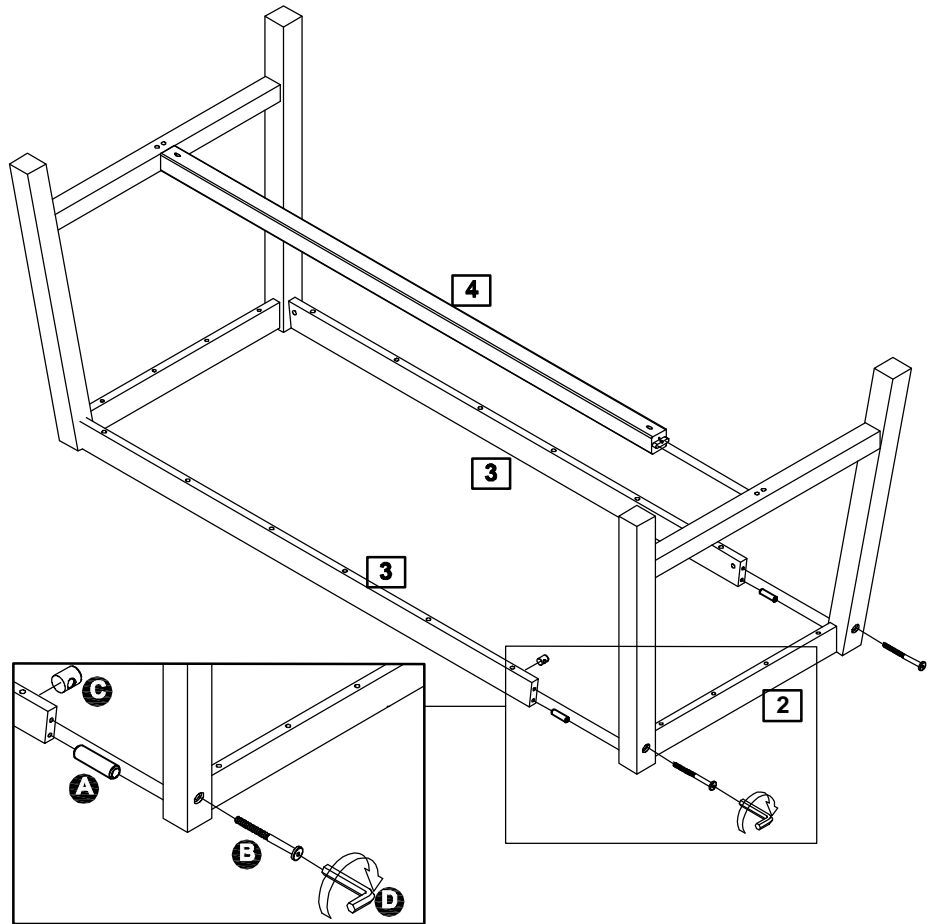
Attach another side frame **2** to the unit by inserting 2 Screws **B**.

Fix 2 Locking nuts **C** to the holes where as shown.

**Note:** Use Allen key **D** to turn Screws clockwise to lock.

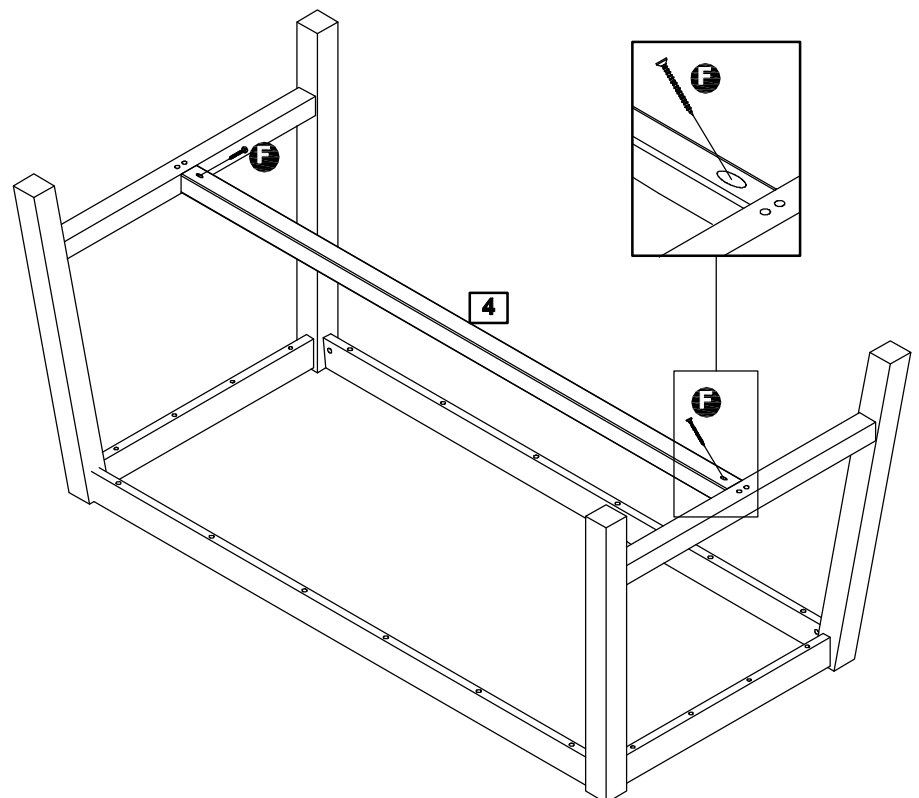
Use a Screwdriver to turn Locking nuts **C** clockwise to lock.

**Do not over tighten.**



## Step 4

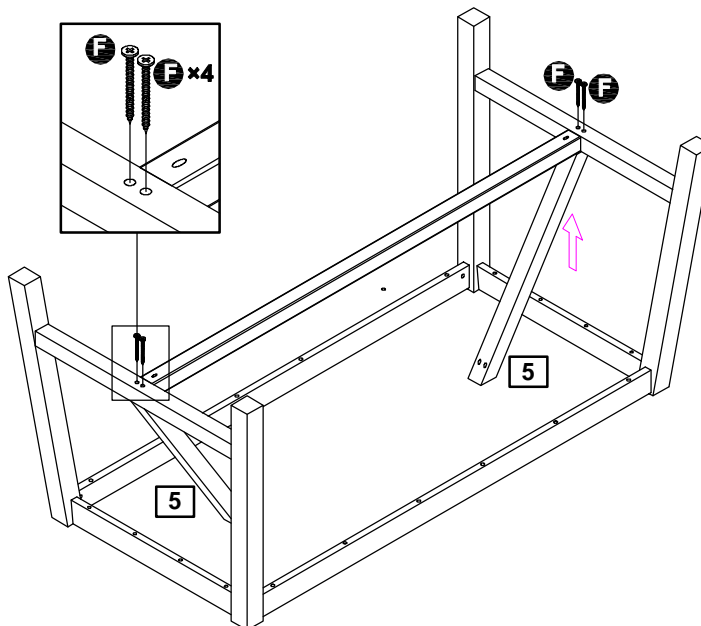
Insert 2 Screws **F** to the holes where as shown.



# Assembly Instructions

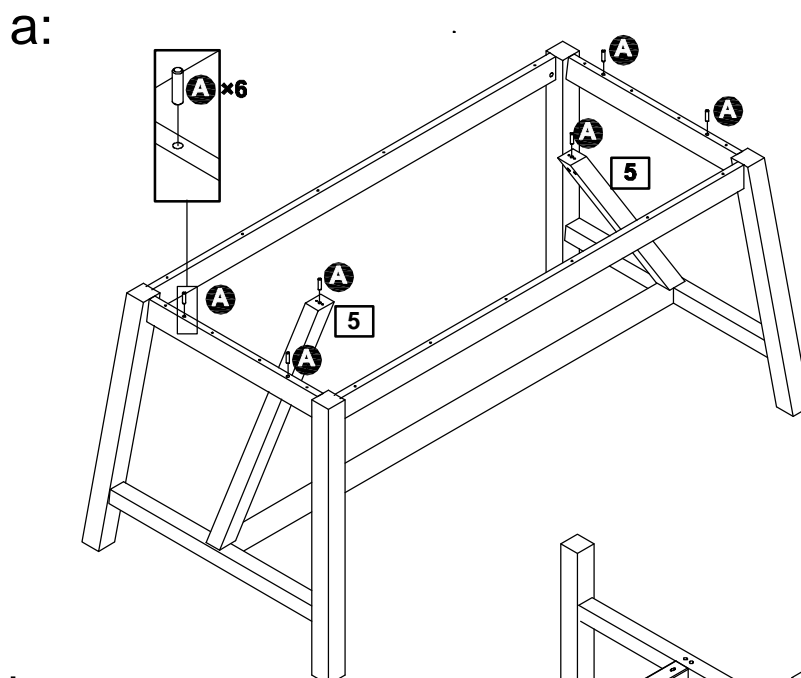
## Step 5

Attach 2 Support bar **5** to the unit by using 4 Screws **F**.

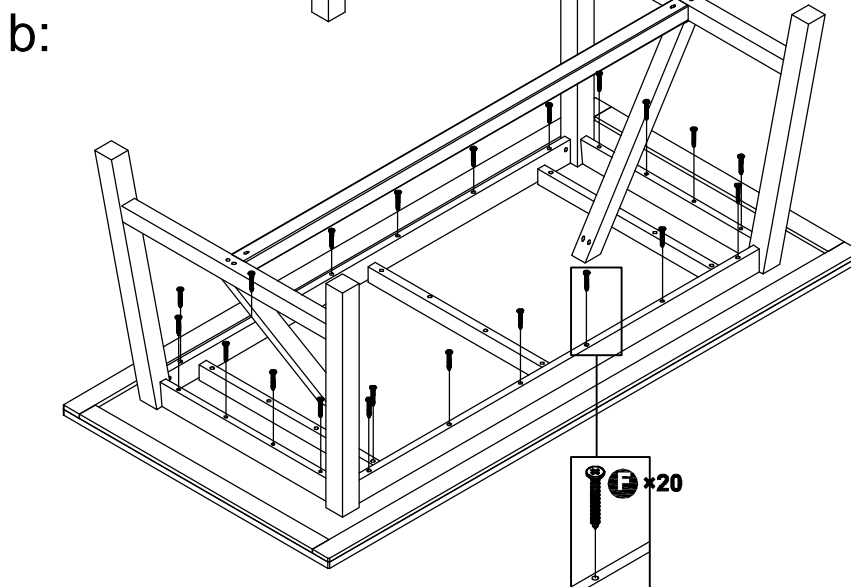


## Step 6

a: Insert 6 Wooden dowels **A** to the unit where as shown **5**.



b: Attach Top panel **1** to the unit by using 20 Screws **F**.

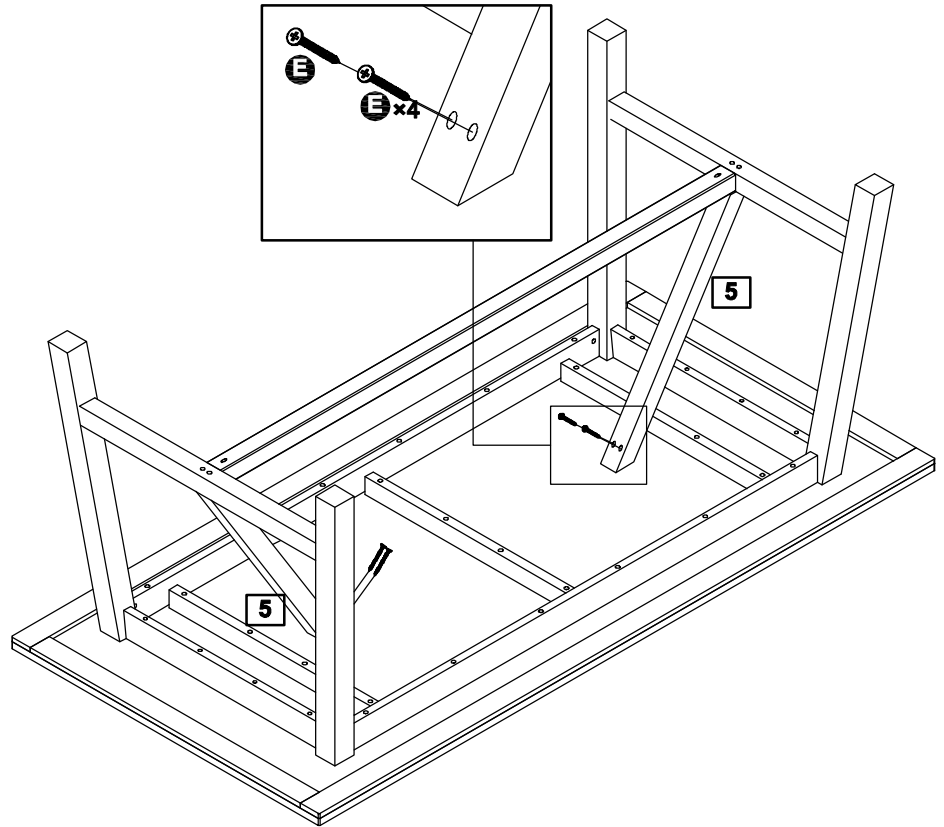


# Assembly Instructions

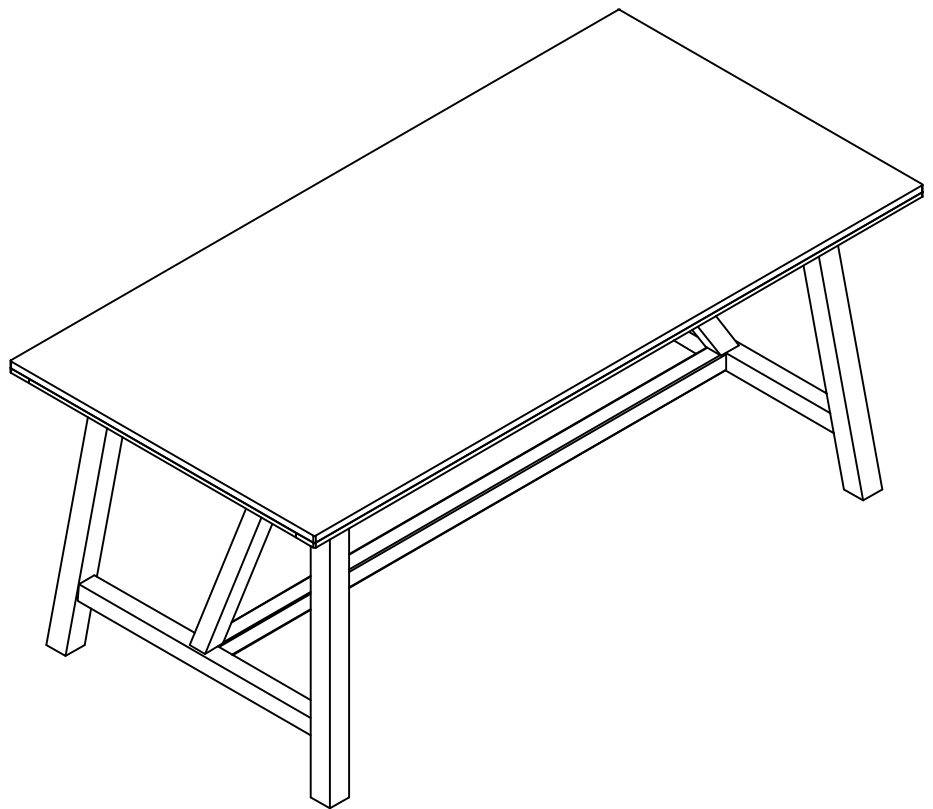
## Step 7

Insert 4 Screws **E** to the units where as shown.

**Note:** Use Allen key **D** to turn Screws clockwise to lock.



**Assembly is complete.**



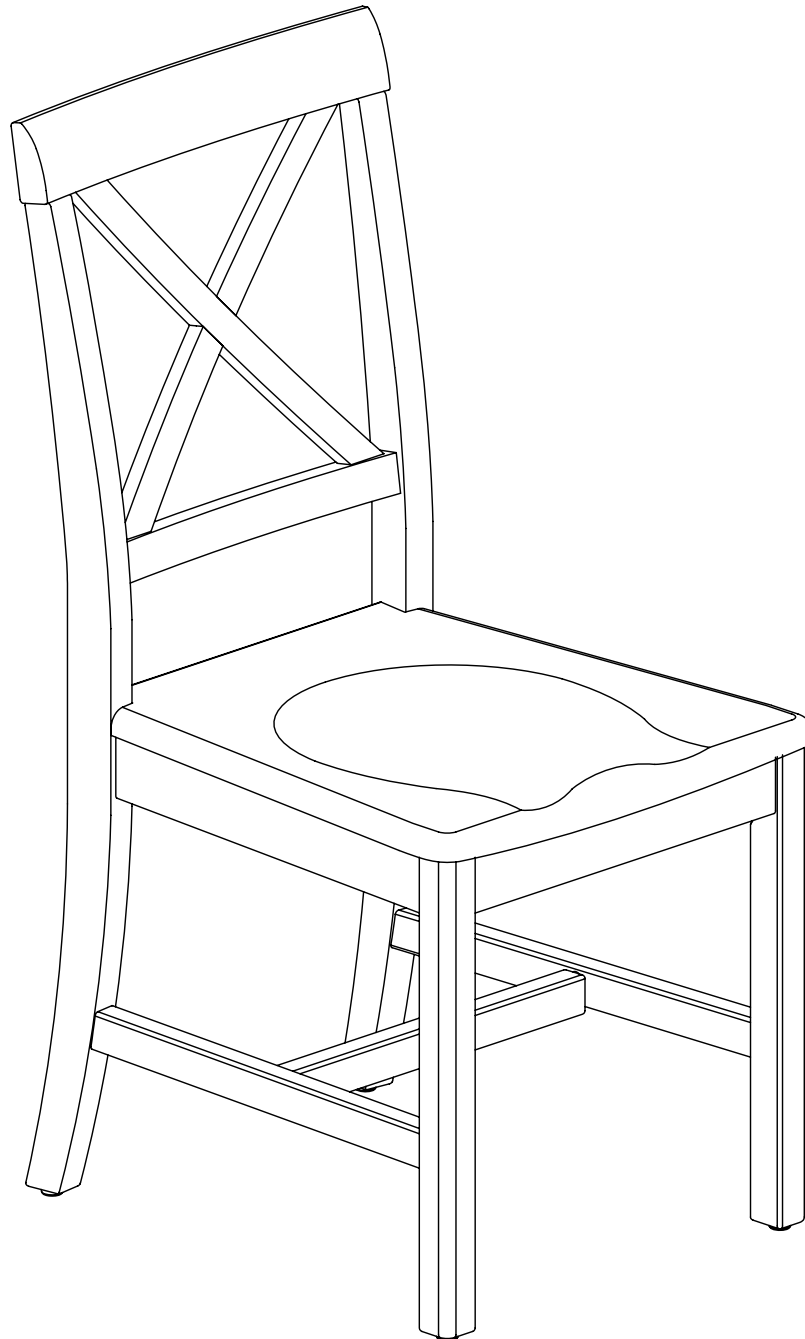
If you need help or have damaged or missing parts, call the **Customer Helpline: 08450 778 888**  
Homebase Limited  
489-499 Avebury Boulevard Saxon Gate West Central Milton Keynes Bucks, MK9 2NW

# Cannonbury-Wooden Pair of Chairs

Assembly Instructions - Please keep for future reference

132/3803

## SCHREIBER



### Dimensions

Width - 43.8cm  
Depth - 53.6cm  
Height - 92.7cm

**Important** - Please read these instructions fully before starting assembly

If you need help or have damaged or missing parts, call the **Customer Helpline: 08450 778 888**



# Safety and Care Advice

## Important - Please read these instructions fully before starting assembly

- Check you have all the components and tools listed on page 2 .
- Remove all fittings from the plastic bags and separate them into their groups.
- Keep children and animals away from the work area, small parts could choke if swallowed.
- Make sure you have enough space to layout the parts before starting.

- Do not stand or put weight on the product, this could cause damage.
- Assemble the item as close to its final position (in the same room) as possible.
- Assemble on a soft level surface to avoid damaging the unit or your floor.
- Parts of the assembly will be easier with 2 people.



- We do not recommend the use of power drill/drivers **for inserting screws**, as this could damage the unit. Only use hand screwdrivers.
- Assemble on a soft level surface to avoid damaging the unit or your floor.
- Dispose of all packaging carefully and responsibly.

## Glue safety - Take care when using glue, please follow the advice below

**Skin contact:** Remove contamination by washing with soap and water. This procedure should also be followed prior to eating and drinking.

**Eye contact:** Rinse immediately with clean water for 15 minutes and seek medical advice.

**If swallowed:** Seek medical advice immediately.

## Care and maintenance

• Only clean using a damp cloth and mild detergent, do not use bleach or abrasive cleaners.

• From time to time check that there are no loose screws on this unit.

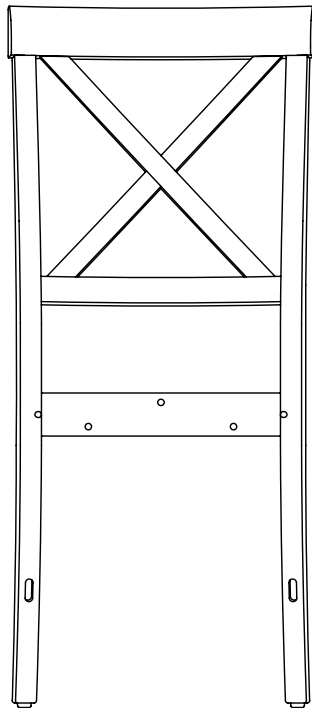
• This product should not be discarded with household waste. Take to your local authority waste disposal centre.

**Note:** if required the next page can be cut out and used as reference throughout the assembly. Keep this page with these instructions for future reference.

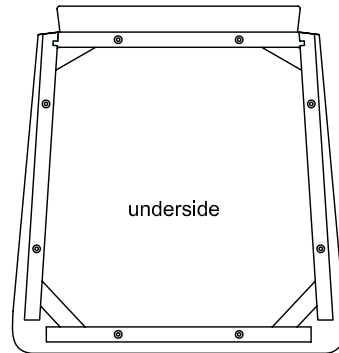
# Components - Panels

If you have damaged or missing componets, call the **Customer Helpline:08450 778 888**

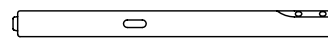
Please check you have all the panels listed below



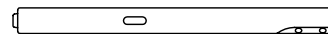
**1** Backrest (40.4 × 92.8cm)



**2** Seat (43.8 × 45.9cm)



**3** Leg, left (41.6 × 3.4cm)



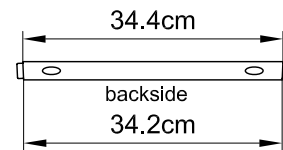
**4** Leg, right (41.6 × 3.4cm)



**5** Crossbar, left (42.2 × 3.4cm)



**6** Crossbar, right (42.2 × 3.4cm)



**7** Crossbar, middle (36 × 2.4cm)

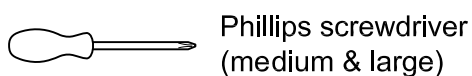
# Components - Fittings

Please check you have all the fittings listed below

**Note:** The quantities below are the correct amount to complete the assembly. In some cases more fittings may be supplied than are required.

|  |  |  |
|--|--|--|
| <p><b>A</b></p> <p>Ø6×65mm Screw × 6</p> | <p><b>B</b></p> <p>Flat Washer × 9</p>   | <p><b>C</b></p> <p>Spring Washer × 9</p> |
| <p><b>D</b></p> <p>Ø6×45mm Screw × 3</p> | <p><b>E</b></p> <p>Ø4×40mm Screw × 6</p> | <p><b>F</b></p> <p>Allen key × 1</p>     |

## Tools required



**Ruler** - Use this ruler to help correctly identify the screws





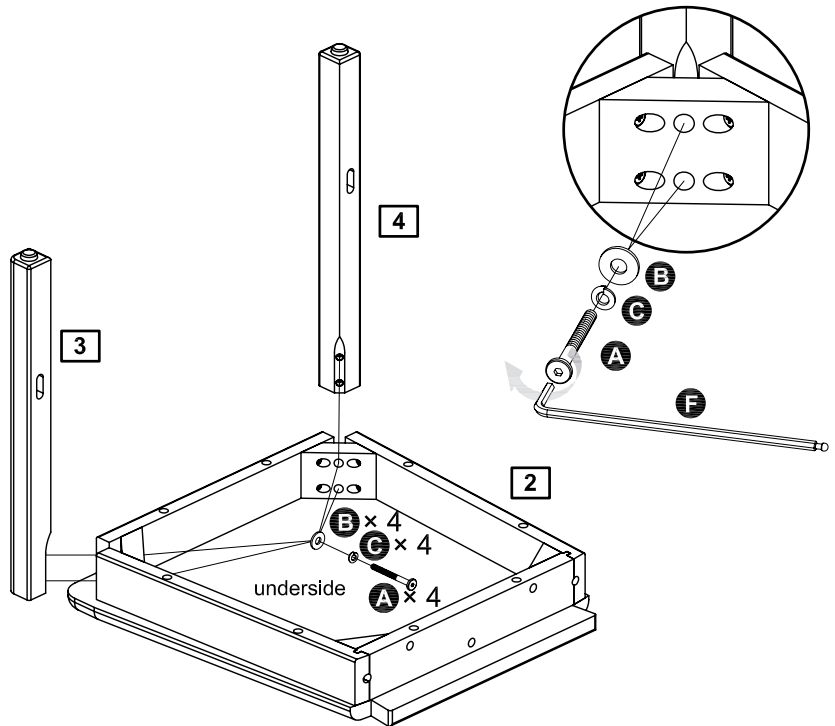
# Assembly Instructions

## Step 1

### Fixing Legs

Fix Leg, left **3** & Leg, right **4** to the Seat **2** by 4 Screws **A** complete with Flat washer **B** & Spring washer **G**.

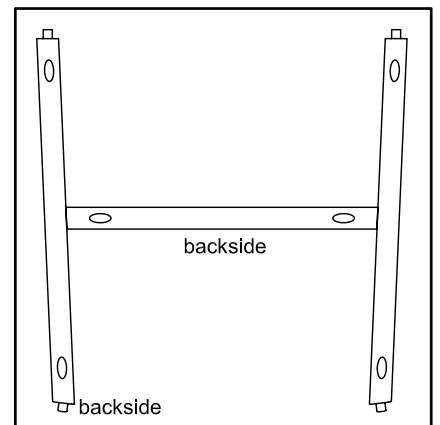
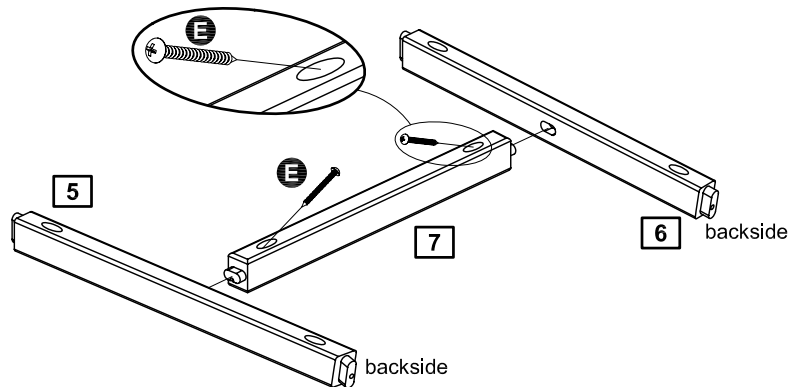
Use Allen key **F** to turn Screws **A** clockwise to lock.



## Step 2

### Crossbars assembly

Attach Crossbar, left **5** & Crossbar, right **6** to Crossbar, middle **7** by using 2 Screws **E**.

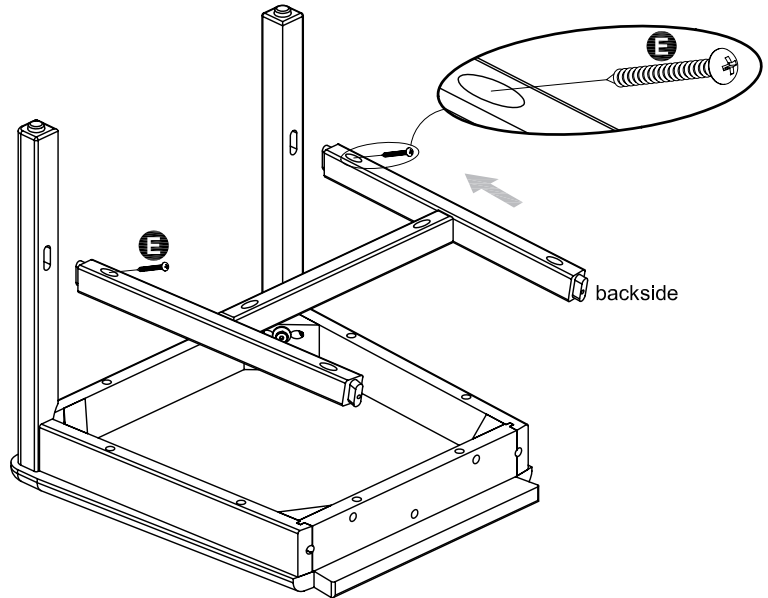


# Assembly Instructions

## Step 3

### Attaching crossbars

Attach the Crossbar unit to the Seat unit by using 2 Screws **E**.

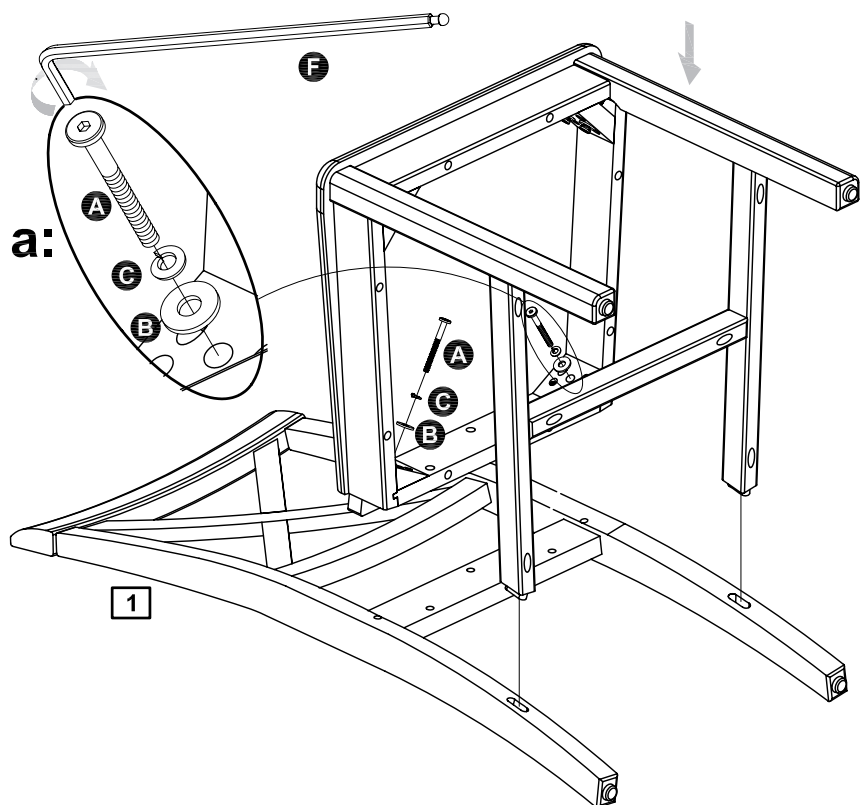


## Step 4

### Attaching Backrest

**a:** Attach the Seat unit to Backrest **1** by using 2 Screws **A** complete with 2 Flat washers **B** & 2 Spring washer **C**.

Use Allen key **F** to turn Screws **A** clockwise to lock.



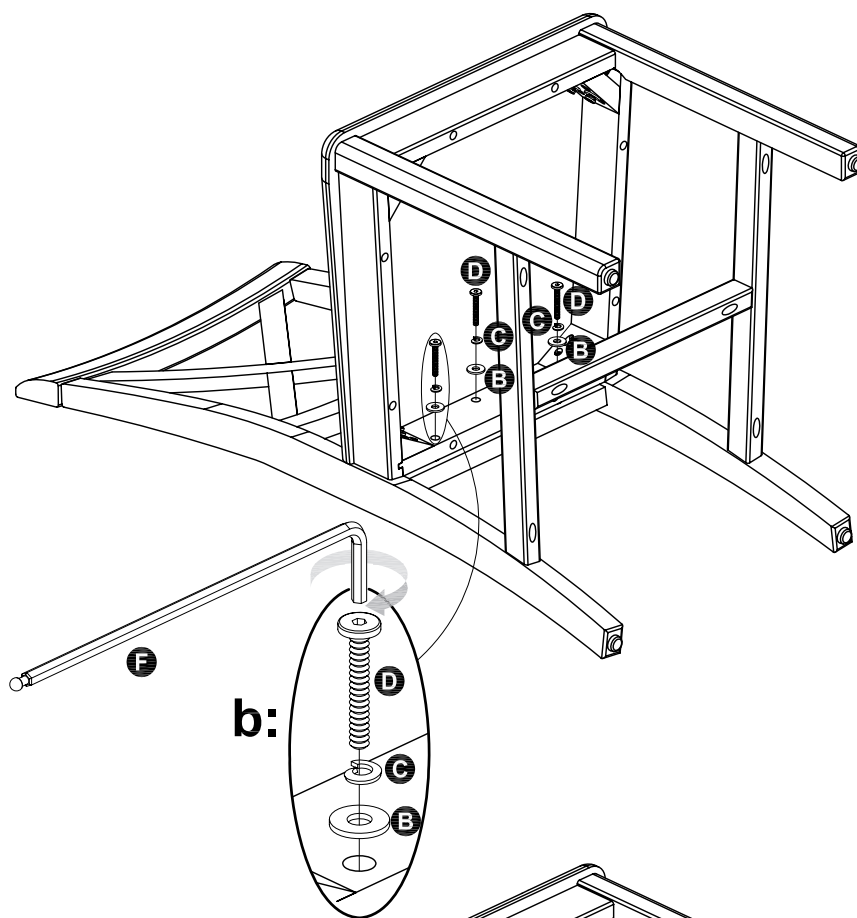
Continued on next page.

# Assembly Instructions

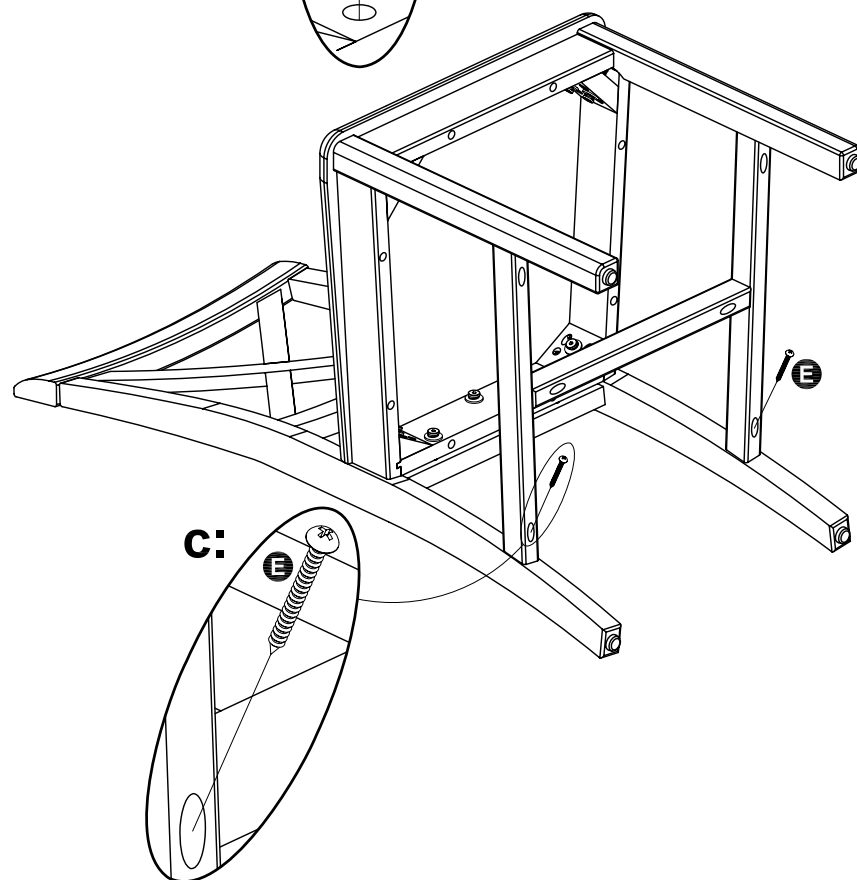
## Step 4 - continued

**b:** Attach the Seat unit to Backrest **1** by 3 Screws **D** complete with 3 Flat washers **B** & 3 Spring washers **C**.

Use Allen key **F** to turn Screws **D** clockwise to lock.



**c:** Insert 2 Screws **E** where as shown.



If you need help or have damaged or missing parts, call the Customer Helpline: 08450 778 888  
Homebase Limited  
489-499 Avebury Boulevard Saxon Gate West Central Milton Keynes Bucks, MK9 2NW