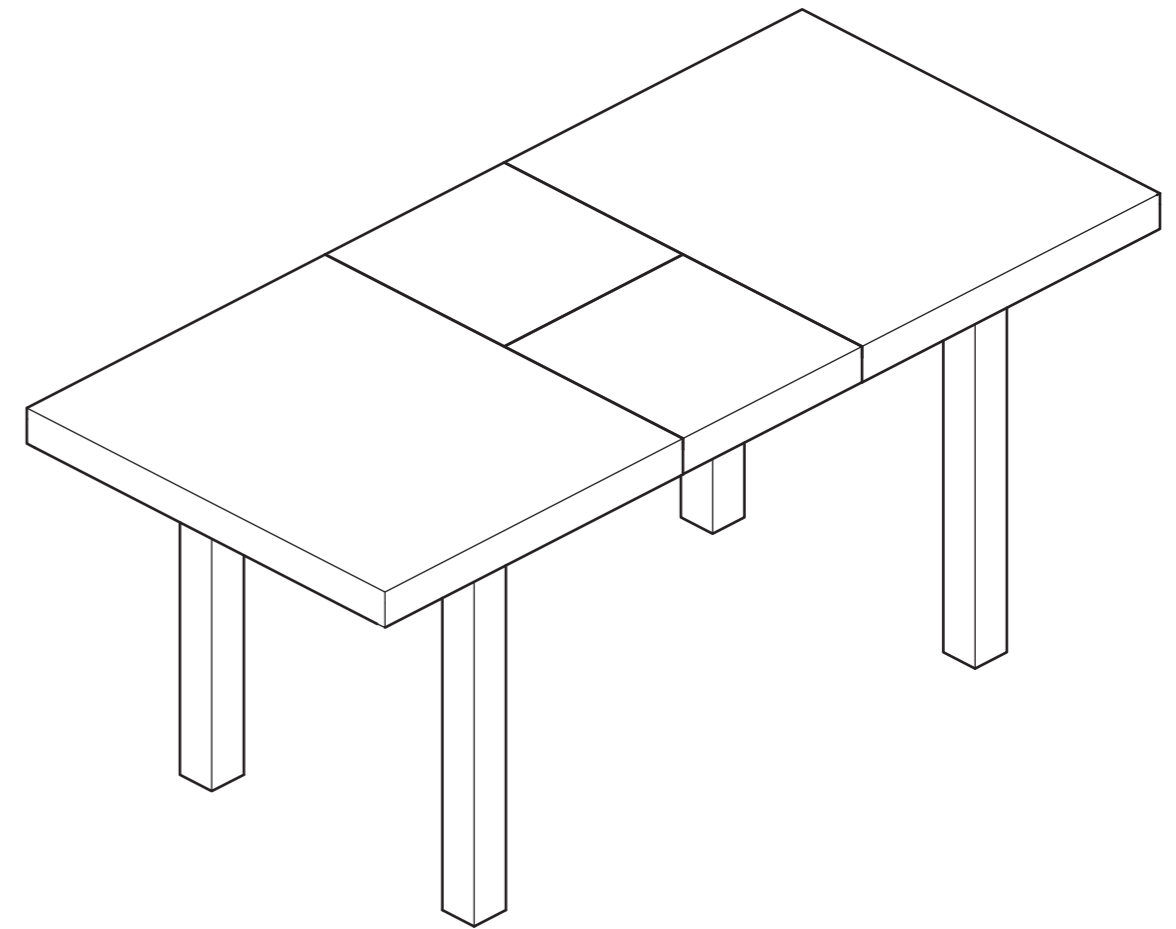


# Wickham Extendable Table

Assembly Instructions - Please keep for future reference

603/7462



## Dimensions

Width - 150 (195)cm  
Depth - 90cm  
Height - 75cm

**Important** – Please read these instructions fully before starting assembly

If you need help or have damaged or missing parts, call the **Customer Helpline: 08456 400800**

# ! Safety and Care Advice

## Important – Please read these instructions fully before starting assembly

- Check you have all the components and tools listed on page 2 and 3.
- Remove all fittings from the plastic bags and separate them into their groups.
- Keep children and animals away from the work area, small parts could choke if swallowed.
- Make sure you have enough space to layout the parts before starting.
- Do not stand or put weight on the product during assembly, this could cause damage.
- Assemble the item as close to its final position (in the same room) as possible.
- Assemble on a soft level surface to avoid damaging the unit or your floor.
- Parts of the assembly will be easier with 2 people.



• We do not recommend the use of power drill/drivers **for inserting screws**, as this could damage the unit. Only use hand screwdrivers.

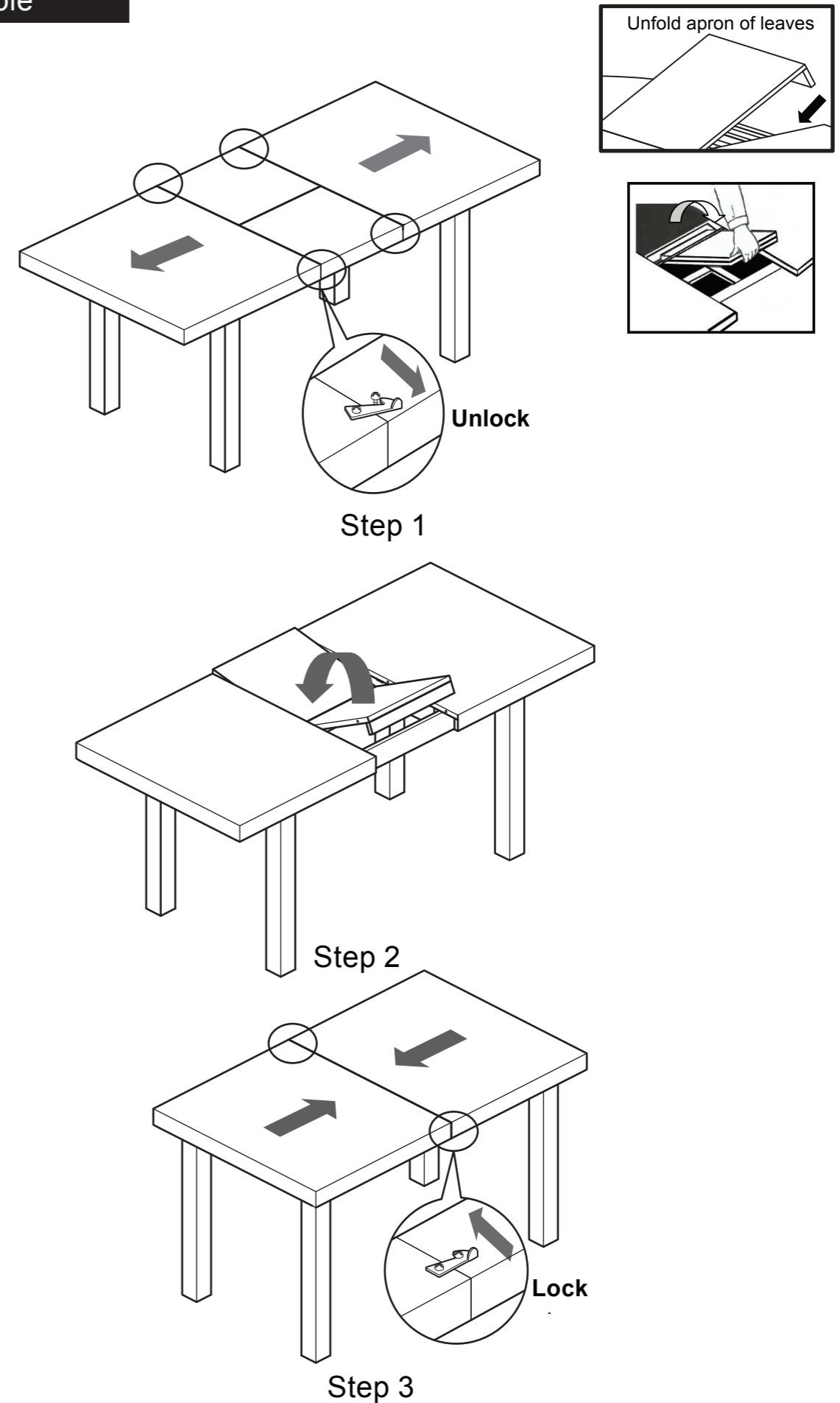
• Dispose of all packaging carefully and responsibly.

## Care and maintenance

- Only clean using a damp cloth and mild detergent, do not use bleach or abrasive cleaners.
- From time to time check that there are no loose screws on this unit.
- This product should not be discarded with household waste. Take to your local authority waste disposal centre.

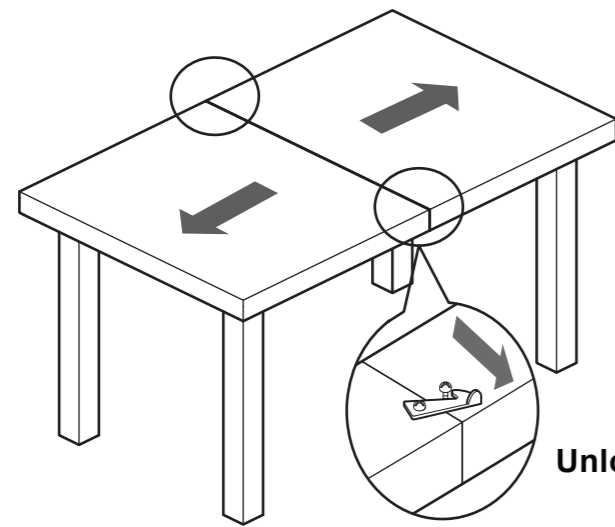
# Assembly Instructions

## Close table

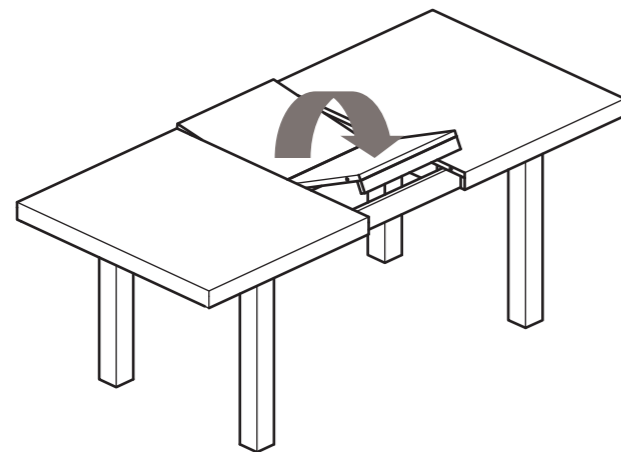
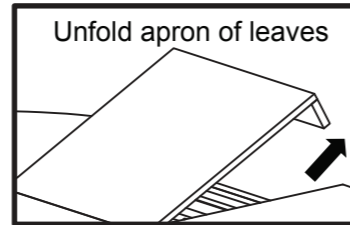


# Assembly Instructions

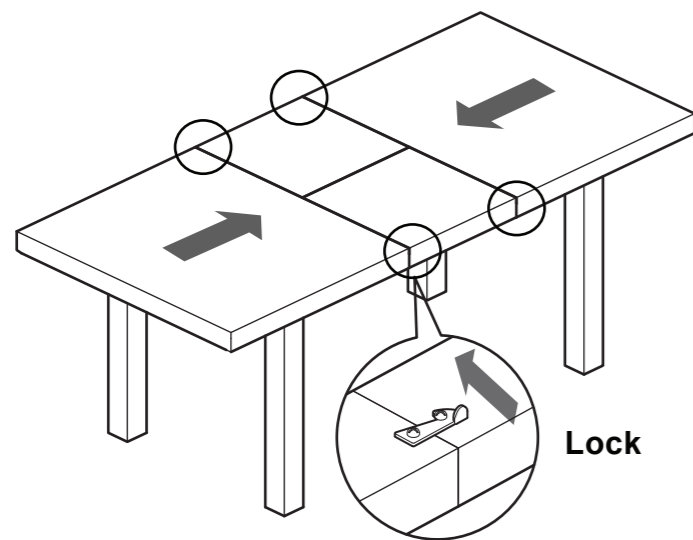
## Open table



Step 1



Step 2

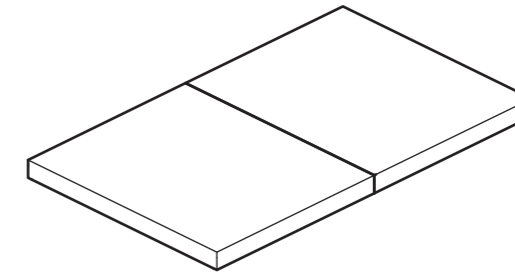


Step 3

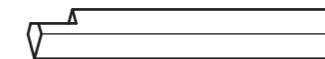
# Components - Parts

If you have damaged or missing components, call the **Customer Helpline: 08456 40800**

Please check you have all the parts listed below



1 Table top x 1

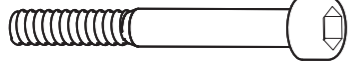





2 Leg x 4

# Components - Fittings

Please check you have all the fittings listed below

**Note** :The quantities below are the correct amount to complete the assembly. In some cases more fittings may be supplied than are required.

<p><b>A</b> </p> <p>Bolt x 8</p>	<p><b>B</b> </p> <p>Spring washer x 8</p>	<p><b>C</b> </p> <p>Washer x 8</p>
<p><b>D</b> </p> <p>Allen key x 1</p>		

# Assembly Instructions

## Step 1

Place table top upside down being careful to not scratch the table top surface (Leaving the product within its cardboard packaging will assist you in being able to do this)

**a:**

Now attach the legs **2** (x4) to each of the corners, by first step insert spring washers **B** and washers **C** into all the bolts **A** . Then screw the bolts **A** through the corner blocks and into the holes in the legs **2** . Tighten bolts by using the allen key **D** .

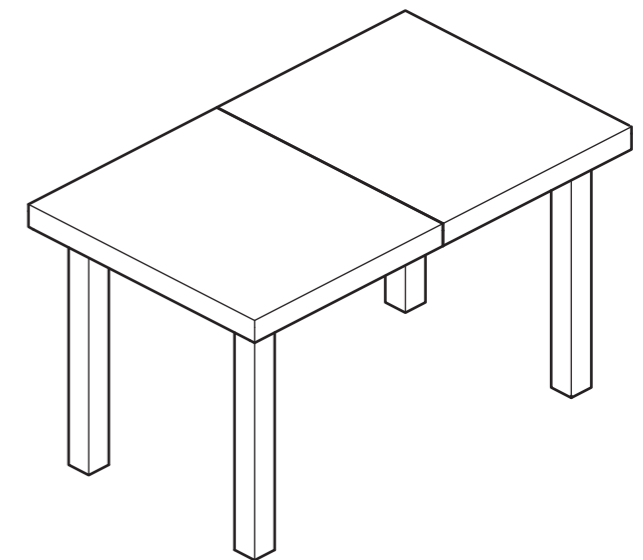
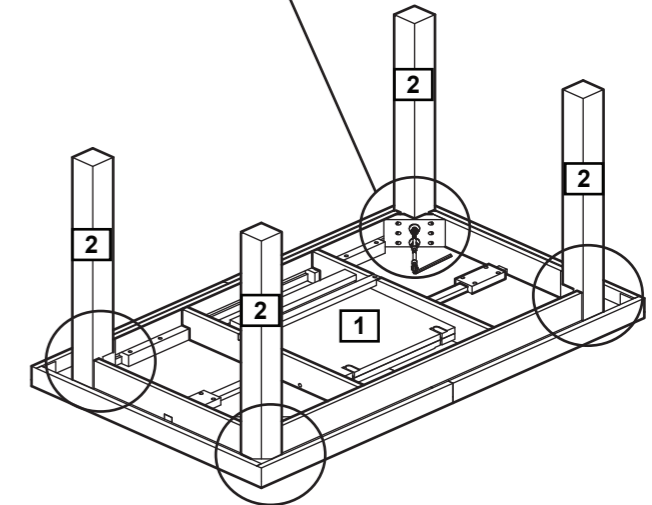
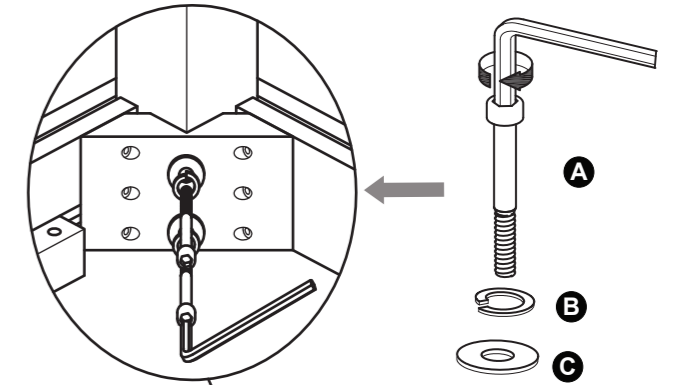
**Tighten all 8 bolts securely.**

**b:**

2 people are required for this next stage.

Please now turn the table 180 degrees and place on all four of its legs in your desired location.

**Assembly is complete.**



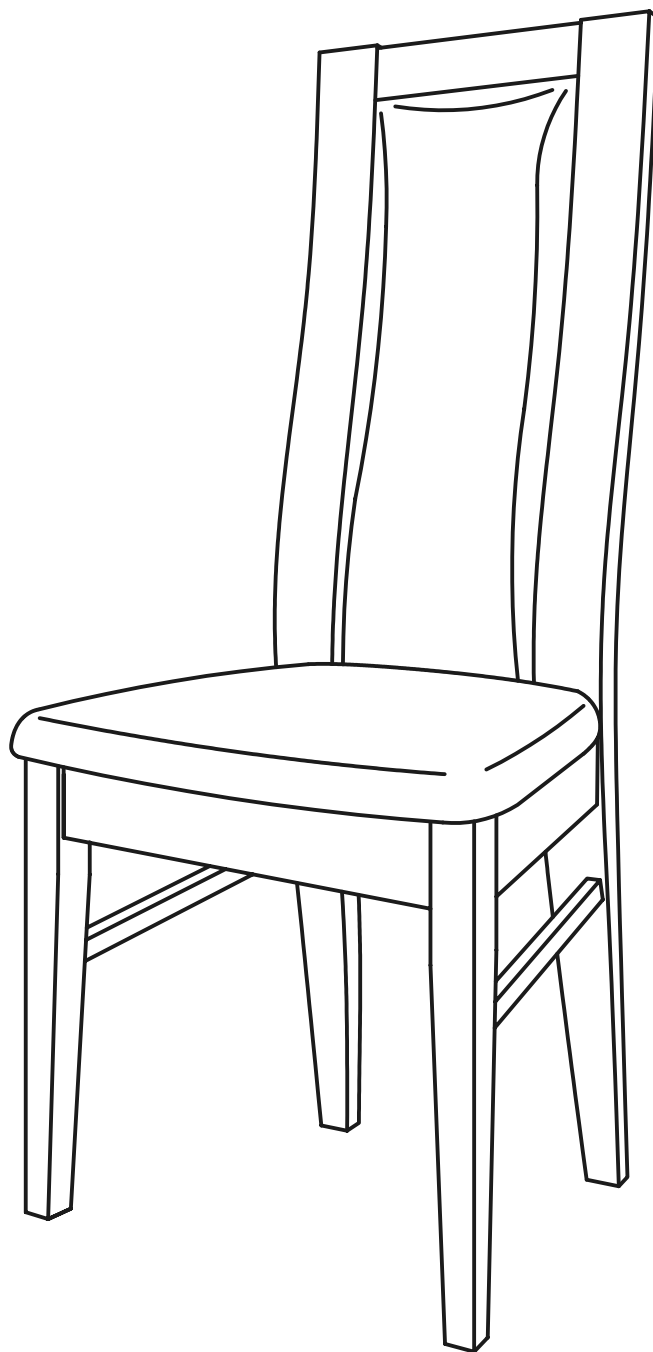
If you need help or have damaged or missing parts, call the **Customer Helpline: 0845 6400800**

# Warwick Chair

Assembly Instructions - Please keep for future reference

6038447

6037819



## Dimensions

Width - 46.5cm

Depth - 54cm

Height - 99cm

**Important - Please read these instructions fully before starting assembly**

If you need help or have damaged or missing parts, call the Customer Helpline : 08456 400800



# Safety and Care Advice

**Important - Please read these instructions fully before starting assembly**

- Check you have all the components and tools listed on page 2 and 3.

- Remove all fittings from the plastic bags and separate them into their groups.

- Keep children and animals away from the work area, small parts could choke if swallowed.

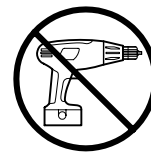
- Make sure you have enough space to layout the parts before starting.

- Do not stand or put weight on the product, this could cause damage.

- Assemble the item as close to its final position (in the same room) as possible.

- Assemble on a soft level surface to avoid damaging the unit or your floor.

- Parts of the assembly will be easier with 2 people.



- We do not recommend the use of power drill/drivers **for inserting screws,**

as this could damage the unit. Only use hand screwdrivers.

- Dispose of all packaging carefully and responsibly.

- The maximum safe weight of user : 110 Kgs.

## Care and maintenance

- Only clean using a damp cloth and mild detergent, do not use bleach or abrasive cleaners.

- From time to time check that there are no loose screws on this unit.

- This product should not be discarded with household waste. Take to your local authority waste disposal centre.

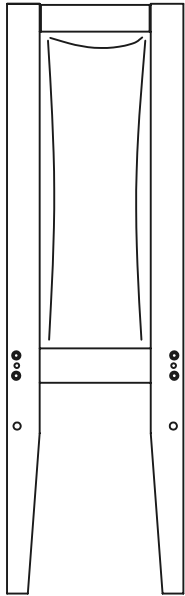
**Note:** if required the next page can be cut out and used as reference throughout the assembly. Keep this page with these instructions for future reference.

# Components - Panels

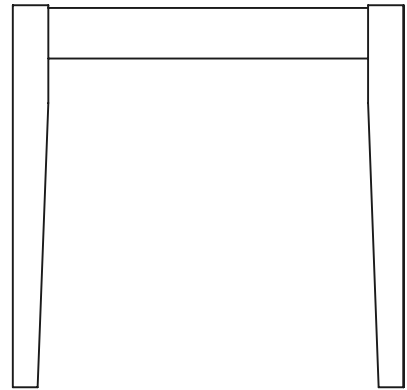
If you have damaged or missing components, call the Customer Helpline: 08456 400800

Please check you have all the panels listed below

**NOTE:** Components, listed below are required for one chair only.



**1** Backrest x 1  
(29.6 x 99cm)



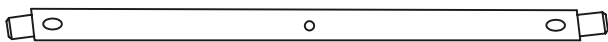
**2** Front Leg x 1  
(43 x 43cm)



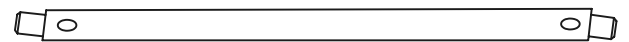
**3** Right Side Stretcher x 1  
(36 x 5.8cm)



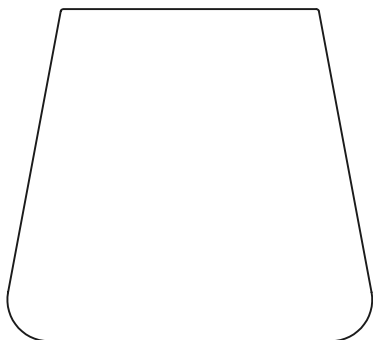
**4** Left Side Stretcher x 1  
(36 x 5.8cm)



**5** Right Side Rail x 1  
(39.8 x 2.2cm)



**6** Left Side Rail x 1  
(39.8 x 2.2cm)



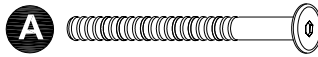

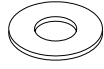

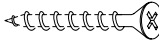
**7** Seat Cushion x 1  
(46.5 x 40cm)



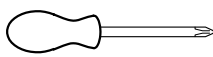
# Components - Fittings

Please check you have all the fittings listed below

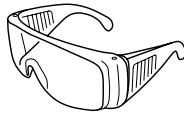
**Note:** The quantities below are the correct amount to complete the assembly for one chair. In some cases more fittings may be supplied than are required.

 <p><b>A</b></p> <p>50mm Screw x 6</p>	 <p><b>B</b></p> <p>Spring Washer M6 x 6</p>	 <p><b>C</b></p> <p>Flat Washer M6 x 6</p>
 <p><b>D</b></p> <p>M 4 Allen Key x 1</p>	 <p><b>E</b></p> <p>32mm Screw x 8</p>	

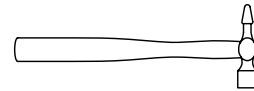
## Tools required



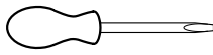
Phillips screwdriver  
(medium & large)



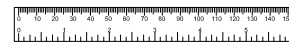
Eye protection  
(when using a  
hammer or glue)



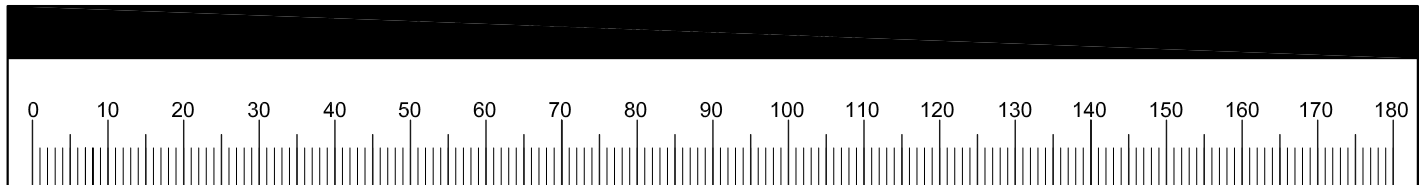
Small  
hammer



Flatblade screwdriver  
(medium)



Ruler/tape  
measure





# Assembly Instructions

## Step 1

### Fitting the Side Stretcher

**Note:** It would be useful to ask someone to help you at this stage.

a: Insert Screw **A**, Spring washer **B**, Flat washer **C** with Allen key **D** to fix side stretcher **3** **4** onto backrest. **1**

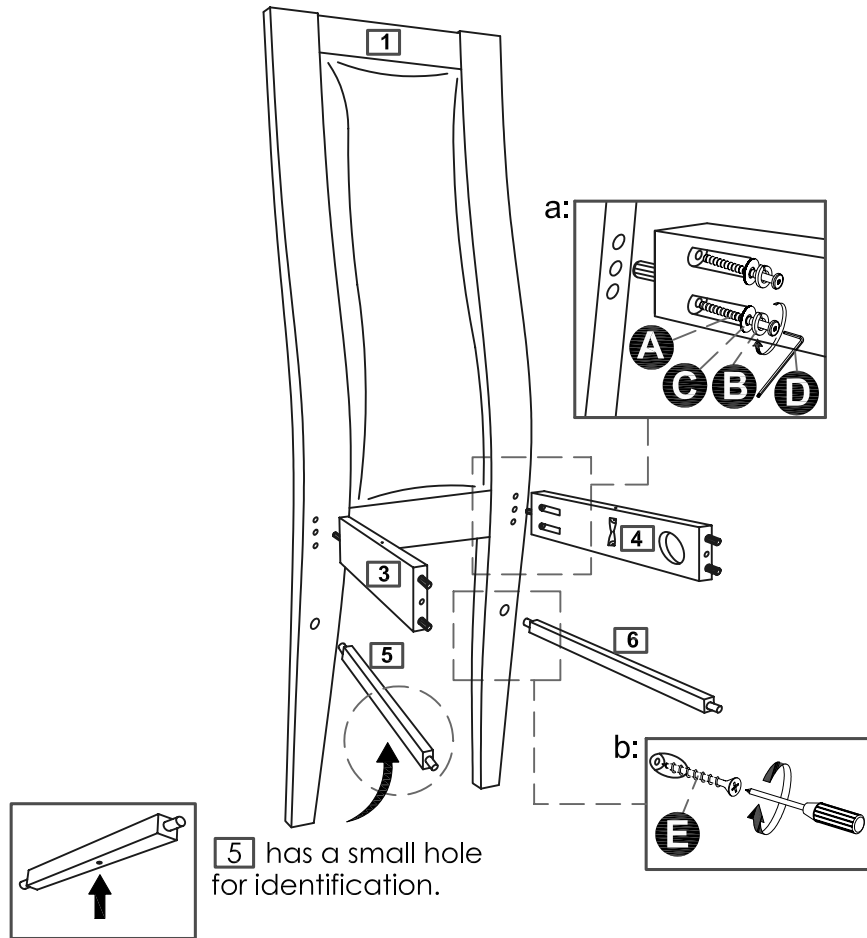
**Note:** Do not fully tighten all the screws

### Fitting the Side Rail

**Note:** It would be useful to ask someone to help you at this stage.

b: Insert Screw **E** to fix side rail **5** **6** onto back rest **1**

**Note:** Do not fully tighten all the screws



## Step 2

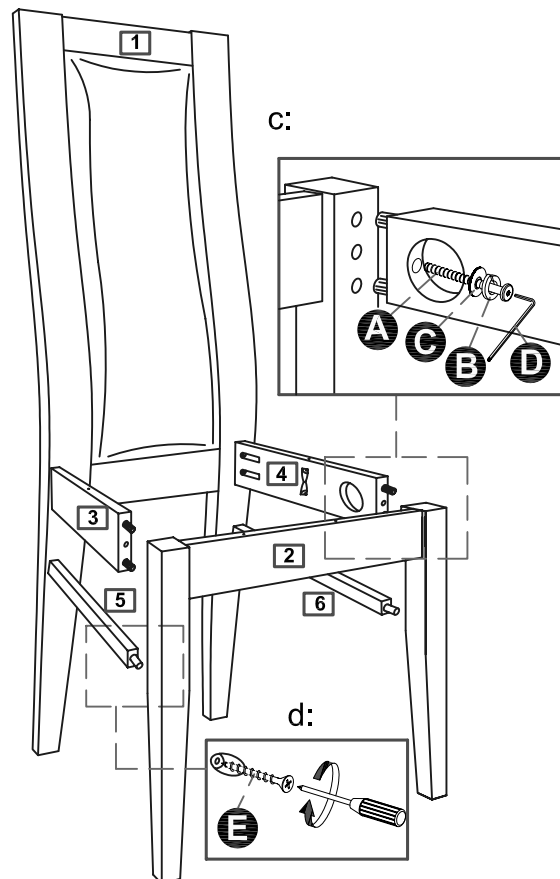
### Fitting the Front Leg

**Note:** It would be useful to ask someone to help you at this stage.

c: Insert Screw **A**, Spring washer **B**, Flat washer **C** with Allen key **D** to fix front leg **2** onto side stretcher **3** **4**

d: Insert Screw **E** to fix side rail **5** **6** onto front leg **2**

**Note:** Do not fully tighten all the screws



# Assembly Instructions

## Step 3

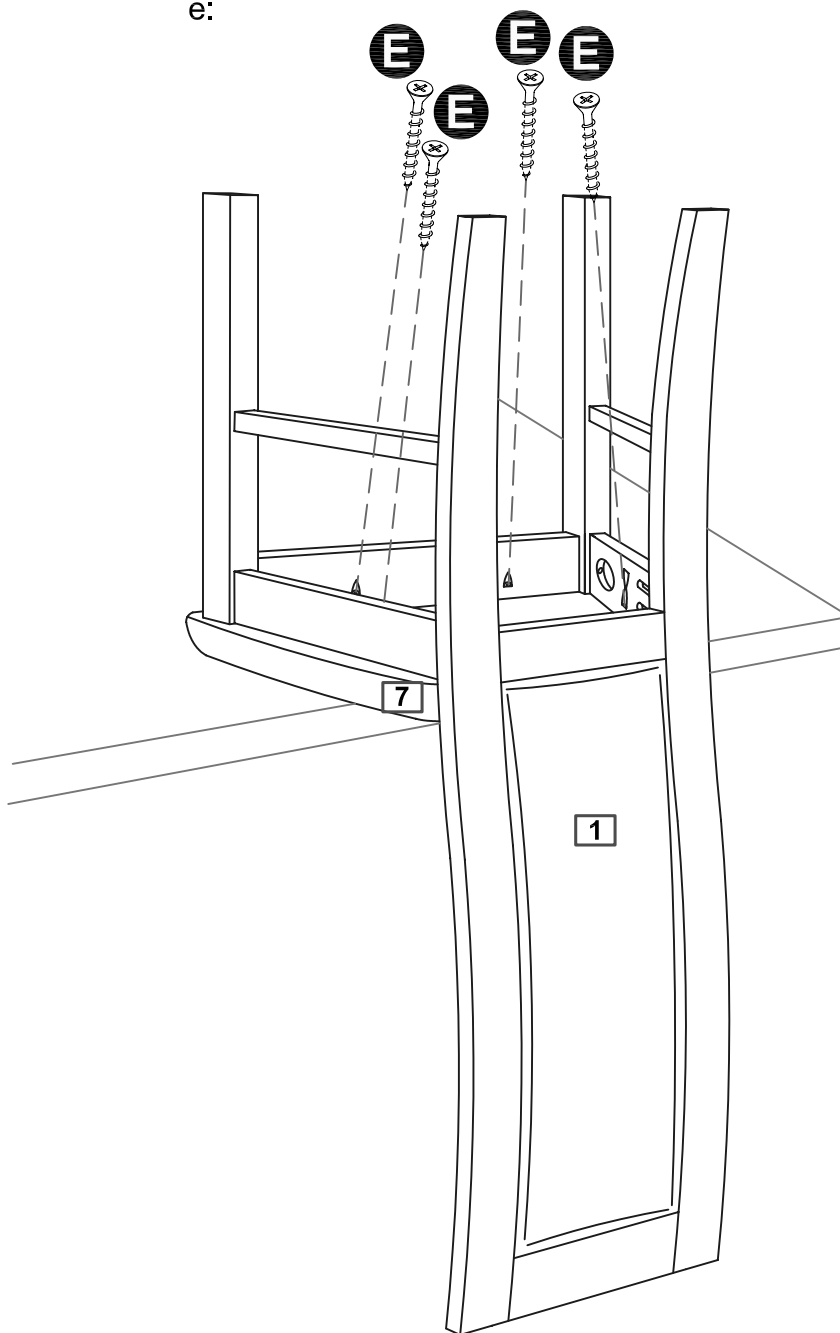
### Fitting the Cushion

**Note:** It would be useful to ask someone to help you at this stage.

e: Use Screw **E** to fix cushion seat **7** onto the unit.

**Note:** Fully tighten all the screws now.

e:



# Assembly Instructions

## Step 4

### Finishing the unit

**Note:** It would be useful to ask someone to help you at this stage.

With help, place the unit in the intended position.

**Note:** Before use always make sure the unit is secure.

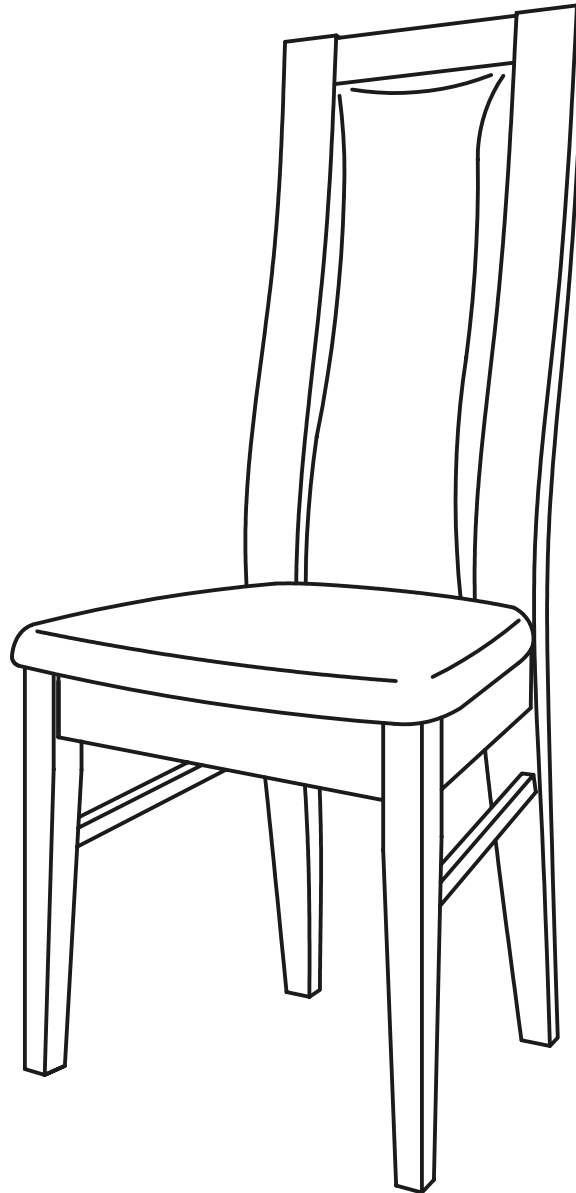
**Note:** The maximum safe weight of user: 110kg.



### **Warning:**

- Do not stand on this chair. Do not use this chair as a step ladder.
- Use this product only for seating one person at a time.
- Do not use this chair unless all bolts, screws and knobs are firmly secured.
- At least every 4 months, check all bolts, screws and knobs, to be sure they are tight.
- If parts are missing, broken or damaged or worn, stop use of this product until repairs are made & using factory authorized parts.
- Failure to follow these warnings could result in serious injury.

**Assembly is complete.**



If you need help or have damaged or missing parts, call the **Customer Helpline: 08456 400800**