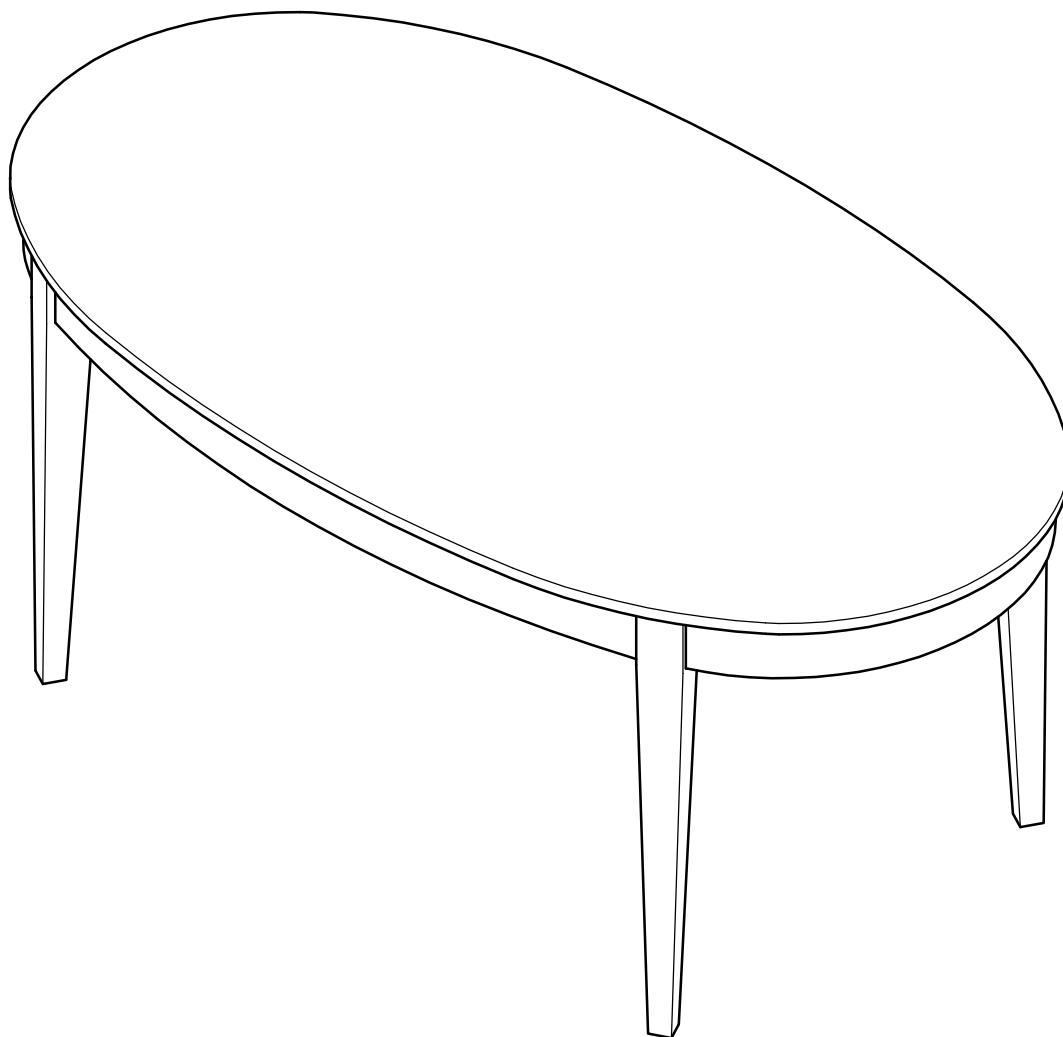


# Akari - Oval Fixed Dining Table

Assembly Instructions - Please keep for future reference

138/5968

## SCHREIBER



### Dimensions

Width - 180cm

Depth - 100cm

Height - 75cm

**Important** - Please read these instructions fully before starting assembly.

If you need help or have damaged or missing parts, call the **Customer Helpline: 08456 400800**



# Safety and Care Advice

**Important** - Please read these instructions fully before starting assembly.

- Check you have all the components and tools listed on pages 2.
- Remove all fittings from the plastic bags and separate them into their groups.
- Keep children and animals away from the work area, small parts could choke if swallowed.
- Make sure you have enough space to layout the parts before starting.

- Do not stand or put weight on the product, this could cause damage.
- Assemble the item as close to its final position (in the same room) as possible.
- Assemble on a soft flat / firm surface to avoid damaging the unit or your floor.
- Parts of the assembly will be easier with 2 people.



- We do not recommend the use of power drill/ drivers **for inserting screws**, as this could damage the unit. Only use hand screwdrivers.
- Dispose of all packaging carefully and responsibly .

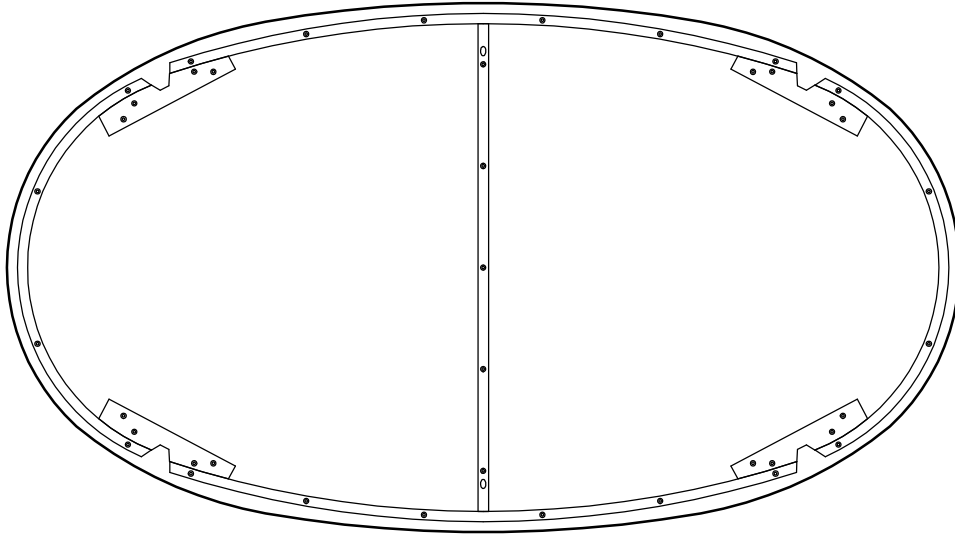
## Care and maintenance

- Only clean using a damp cloth and mild detergent, do not use bleach or abrasive cleaners.
- From time to time check that there are no loose screws on this unit.
- This product should not be discarded with household waste. Take to your local authority waste disposal centre.

# Components - Panels

If you have damaged or missing components, call the **Customer Helpline: 08456 400800**

Please check you have all the panels listed below



**1** Table top  
(180 x 100cm)

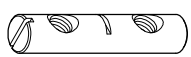
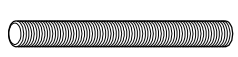


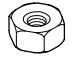



**2** Leg x 4  
(6.4 x 73.1cm)

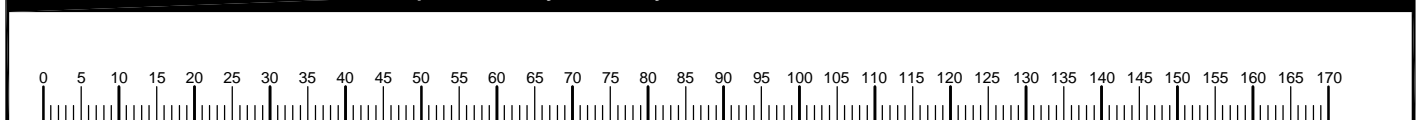
# Components - Fittings

Please check you have all the fittings listed below

**Note:** The quantities below are the correct amount to complete the assembly. In some cases more fittings may be supplied than are required.

|   |   |  |
|---|---|--|
| <p><b>A</b> </p> <p>60mm Cross dowel x 4</p> | <p><b>B</b> </p> <p>90mm Threaded bolt x 8</p> | <p><b>C</b> </p> <p>Flat washer x 8</p> |
| <p><b>D</b> </p> <p>Lock washer x 8</p>      | <p><b>E</b> </p> <p>Hex nut x 8</p>            | <p><b>F</b> </p> <p>Spanner x 1</p>     |

Ruler - Use this ruler to help correctly identify the screws



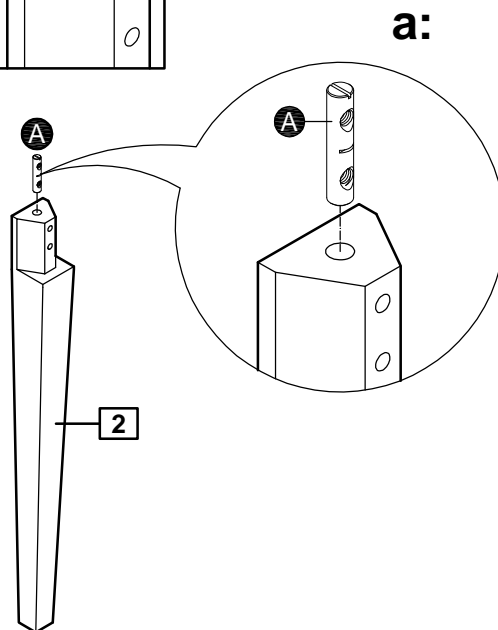
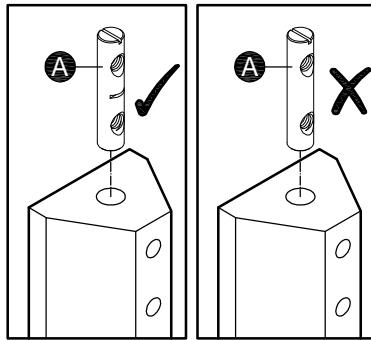
# Assembly Instructions

## Step 1

### Fitting dowels

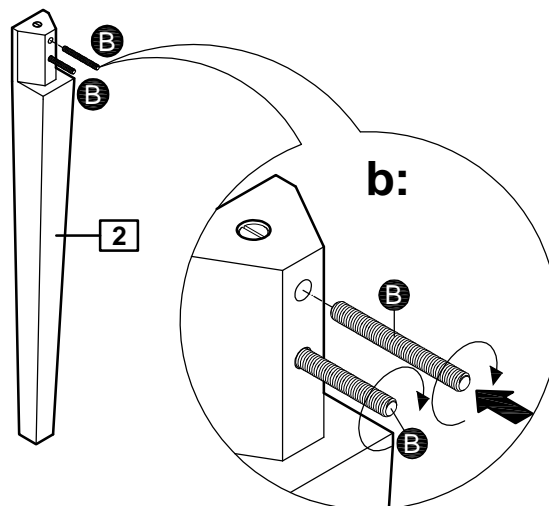
**a:** Insert cross dowel **A** into the hole on top of each leg **2**.

**Note:** Ensure the horizontal marking on each cross dowel is facing out as shown.



**b:** Screw 2 threaded bolts **B** into the two holes on the bevel of each leg **2**.

Tighten threaded bolts **B** into the holes of cross dowel **A** that are already concealed in each leg **2** as shown.



# Assembly Instructions

## Step 2

### Attaching legs

**a:** Lay table top **1** on a flat, stable, clean and soft surface.

**b:** Attach each leg **2** into place by inserting bolts **B** into the pre-drilled holes of wooden corners as shown.

**c:** Insert flat washers **C**, lock washers **D** and hex nuts **E** onto the two threaded bolts **B** on leg **2** and in order as shown.

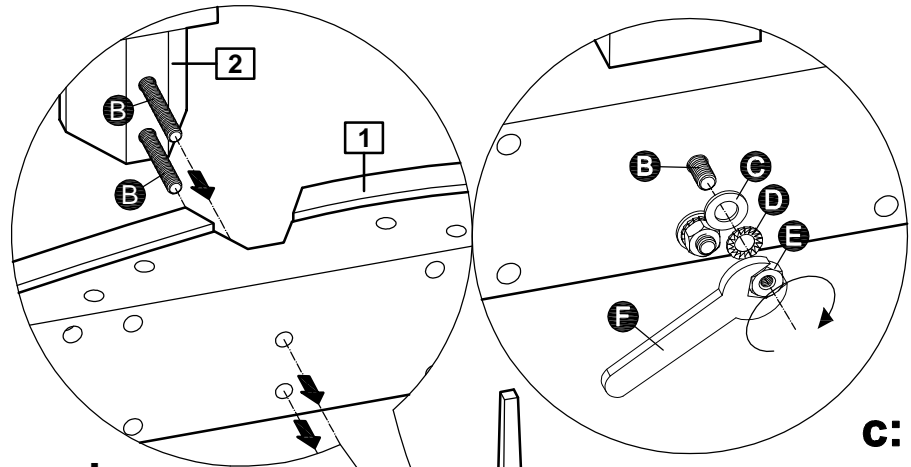
**C** followed by **D**.  
**D** followed by **E**.

Tighten hex nuts **E** using spanner **F** as shown.

**Note:** Do not over tighten.

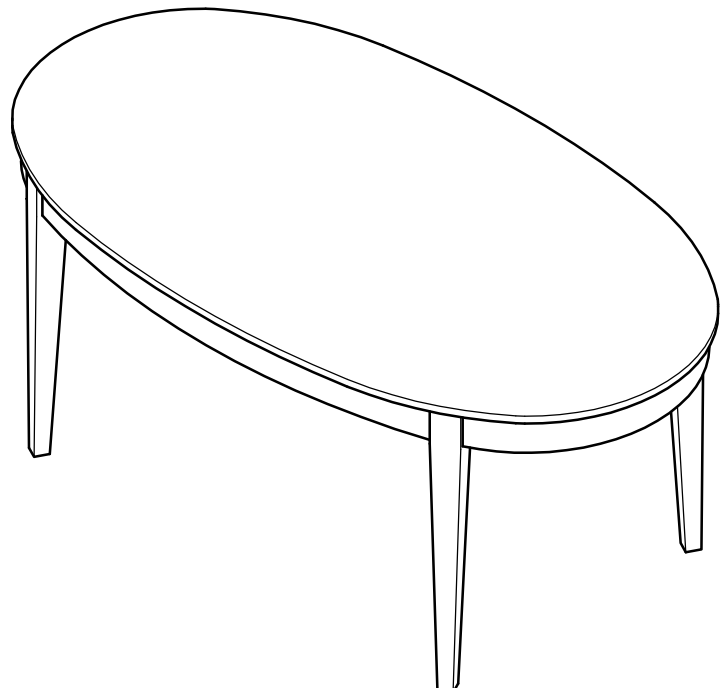
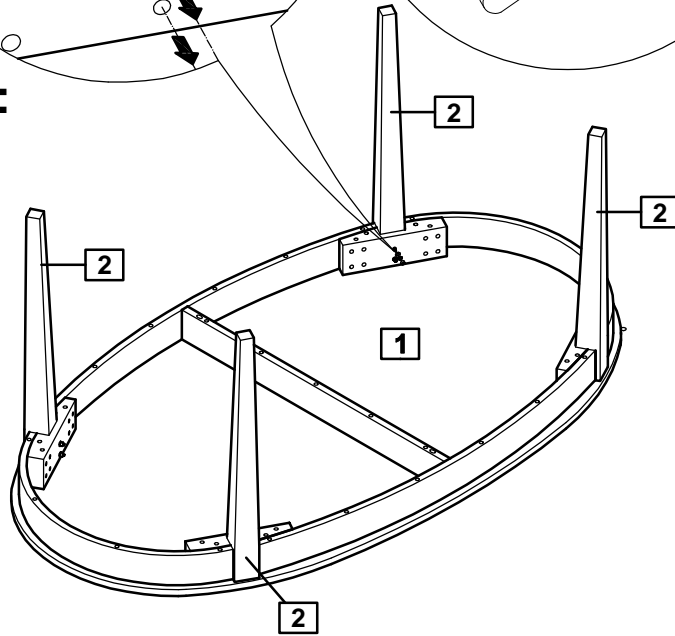
Repeat Step **b** and **c** with the remaining 3 legs.

**Assembly is complete.**



**b:**

**c:**



If you need help or have damaged or missing parts, call the **Customer Helpline: 08456 400800**

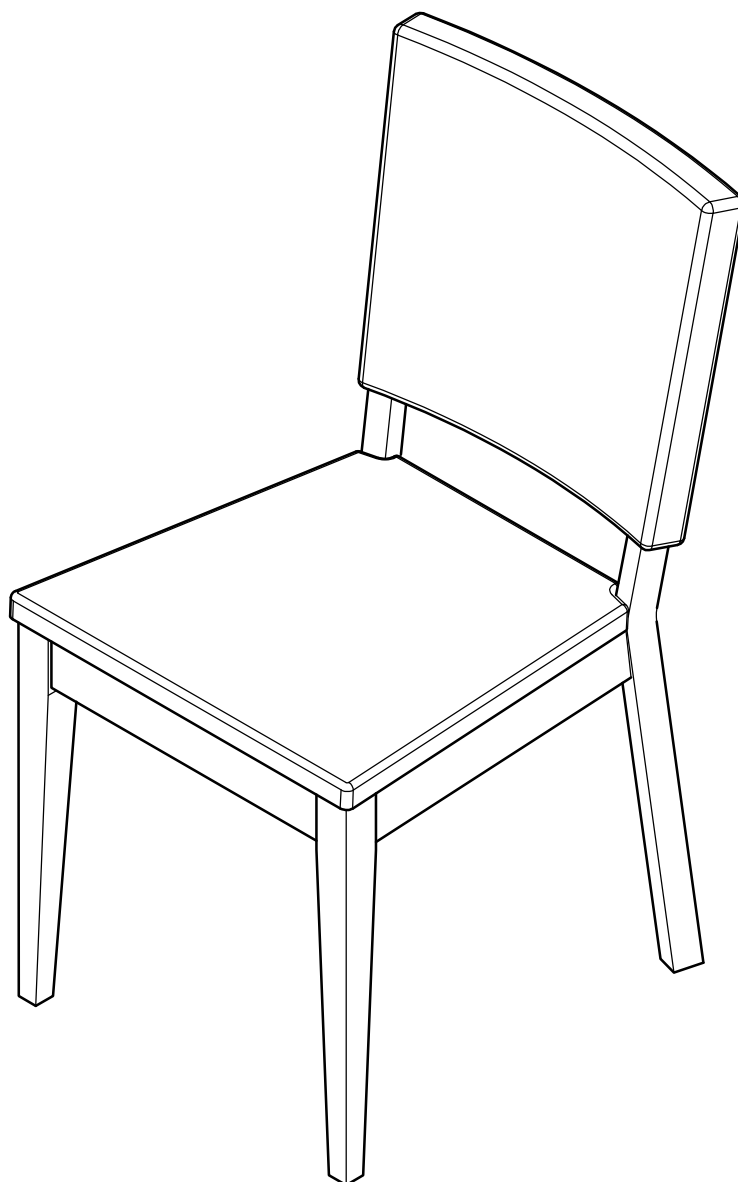
# Akari - Pair of Chairs

Assembly Instructions - Please keep for future reference

143/9357

144/8520

## SCHREIBER



### Dimensions

Width - 45.2cm

Depth - 55.75cm

Height - 88cm

**Important** - Please read these instructions fully before starting assembly.

If you need help or have damaged or missing parts, call the **Customer Helpline: 08456 400800**



# Safety and Care Advice

**Important** - Please read these instructions fully before starting assembly.

- Check you have all the components and tools listed on page 2.

- Remove all fittings from the plastic bags and separate them into their groups.

- Keep children and animals away from the work area, small parts could choke if swallowed.

- Make sure you have enough space to layout the parts before starting.

- Do not stand or put weight on the product, this could cause damage.

- Assemble the item as close to its final position (in the same room) as possible.

- Assemble on a soft flat / firm surface to avoid damaging the unit or your floor.

- Parts of the assembly will be easier with 2 people.



- We do not recommend the use of power drill/ drivers **for inserting screws**, as this could damage the unit. Only use hand screwdrivers.

- Dispose of all packaging carefully and responsibly.

- Maximum user weight: 110kg.

## Care and maintenance

- Only clean using a damp cloth and mild detergent, do not use bleach or abrasive cleaners.

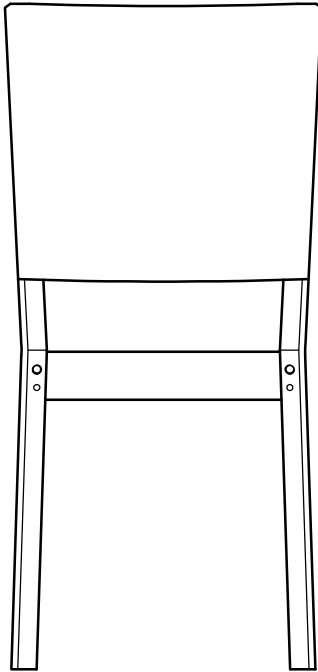
- From time to time check that there are no loose screws on this unit.

- This product should not be discarded with household waste. Take to your local authority waste disposal centre.

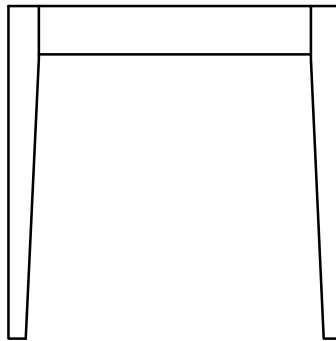
# Components - Panels

If you have damaged or missing components, call the **Customer Helpline: 08456 400800**

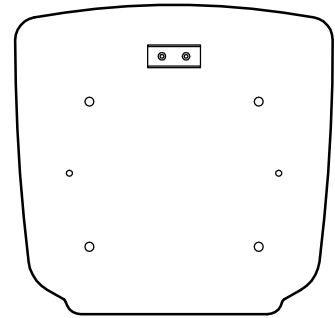
Please check you have all the panels listed below



**1** Back leg frame x 2  
(45 x 88cm)



**2** Front leg frame x 2  
(44 x 44cm)



**3** Seat pad x 2  
(45.2 x 44.2cm)



**4** Left apron x 2  
(40.1 x 6.4cm)



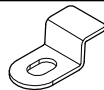
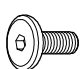
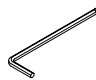
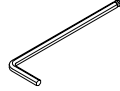


**5** Right apron x 2  
(40.1 x 6.4cm)

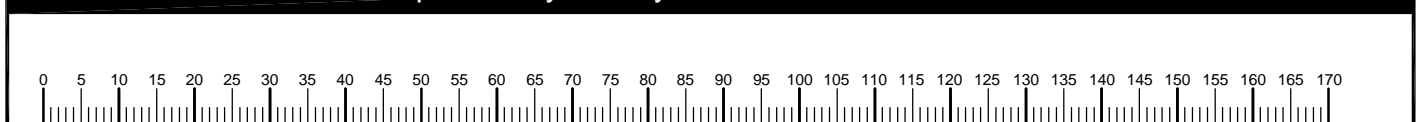
# Components - Fittings

Please check you have all the fittings listed below

**Note:** The quantities below are the correct amount to complete the assembly. In some cases more fittings may be supplied than are required.

|   |   |   |
|---|---|---|
| <p><b>A</b> </p> <p>48.5mm Steel dowel x 8</p> | <p><b>B</b> </p> <p>Grub screw x 8</p>   | <p><b>C</b> </p> <p>Seat bracket x 4</p> |
| <p><b>D</b> </p> <p>15mm Hex head bolt x 4</p> | <p><b>E</b> </p> <p>M4 Allen key x 1</p> | <p><b>F</b> </p> <p>M5 Allen key x 1</p> |

Ruler - Use this ruler to help correctly identify the screws





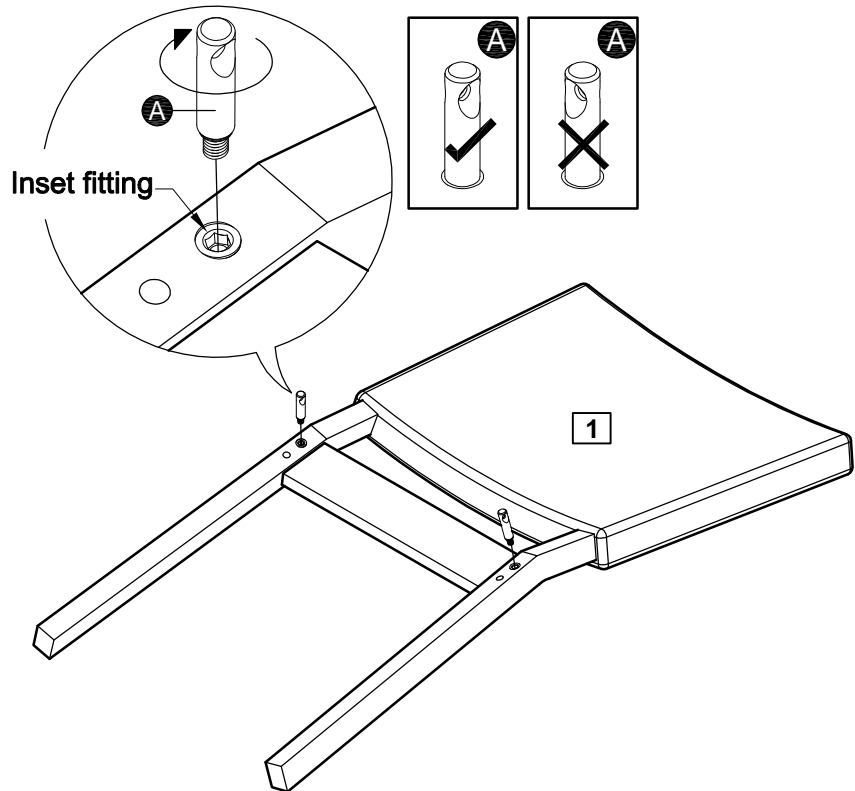
# Assembly Instructions

## Step 1

### Fitting dowels

**a:** Screw 2 steel dowels **A** into the inset fittings that are located on back leg frame **1** as shown.

**Note:** Ensure the direction of the holes on fittings are facing correctly as per diagram. **Do not over tighten.**

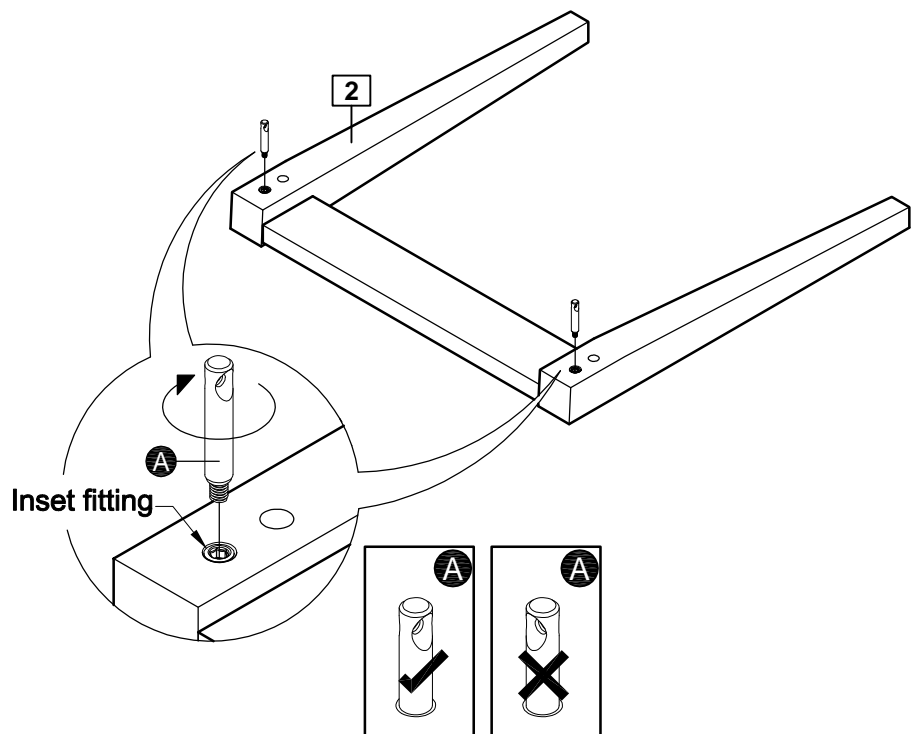


## Step 2

### Fitting dowels

**a:** Screw 2 steel dowels **A** into the inset fittings that are located on front leg frame **2** as shown.

**Note:** Ensure the direction of the holes on fittings are facing correctly as per diagram. **Do not over tighten.**



# Assembly Instructions

## Step 3

### Attaching aprons

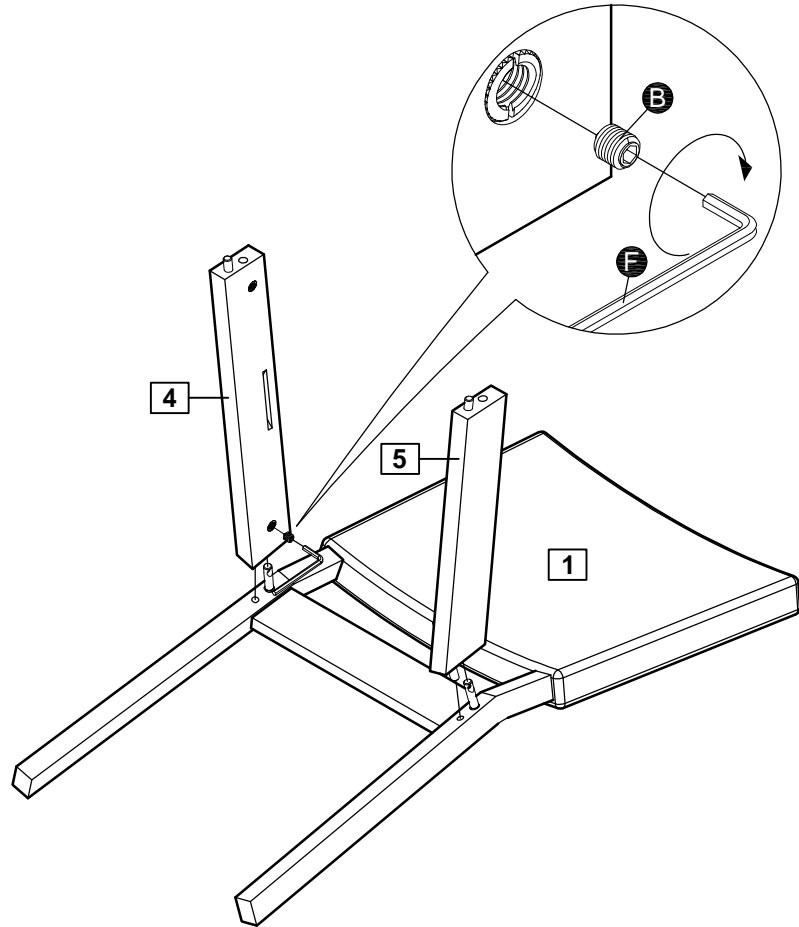
Position aprons **4** and **5** onto back leg frame **1** as shown.

**Note:** Ensure steel dowels and wooden dowels are aligned correctly with mating holes to avoid damage.

Ensure end of aprons are flush with back leg frame **1**.

Insert 2 grub screws **B** into aprons **4** and **5** as shown.

Use allen key **F** to turn grub screws **B** clockwise to fix.



## Step 4

### Attaching front leg frame

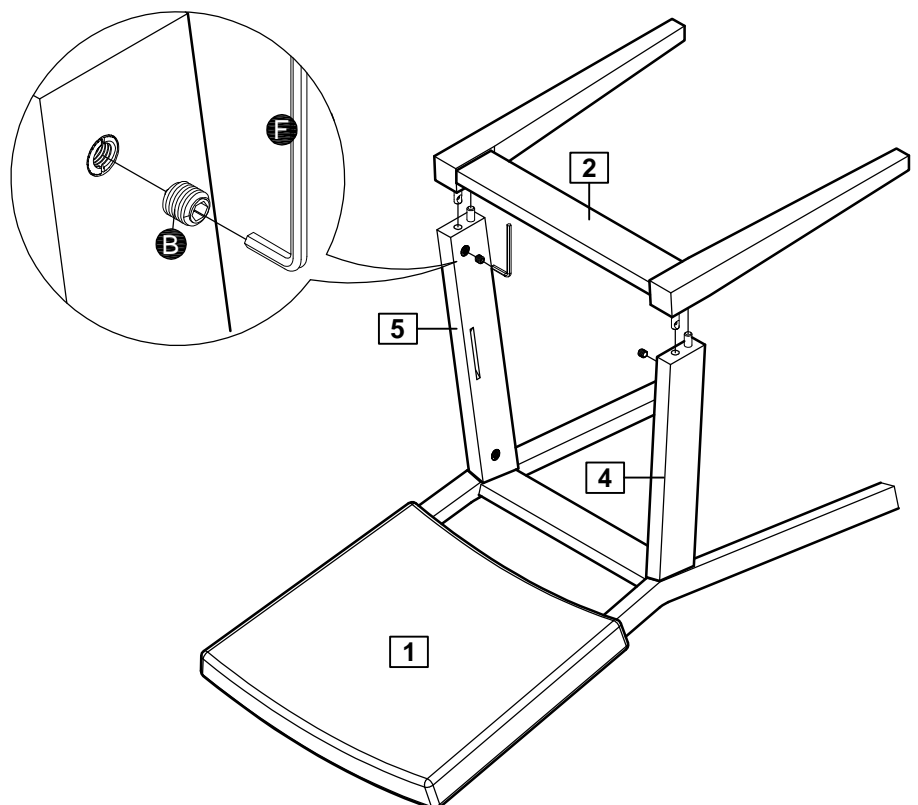
Position front leg frame **2** onto aprons **4** and **5** as shown.

**Note:** Ensure steel dowels and wooden dowels are aligned correctly with mating holes to avoid damage.

Ensure end of aprons are flush with front leg frame **2**.

Insert 2 grub screws **B** into aprons **4** and **5** as shown.

Use allen key **F** to turn grub screws **B** clockwise to fix.



# Assembly Instructions

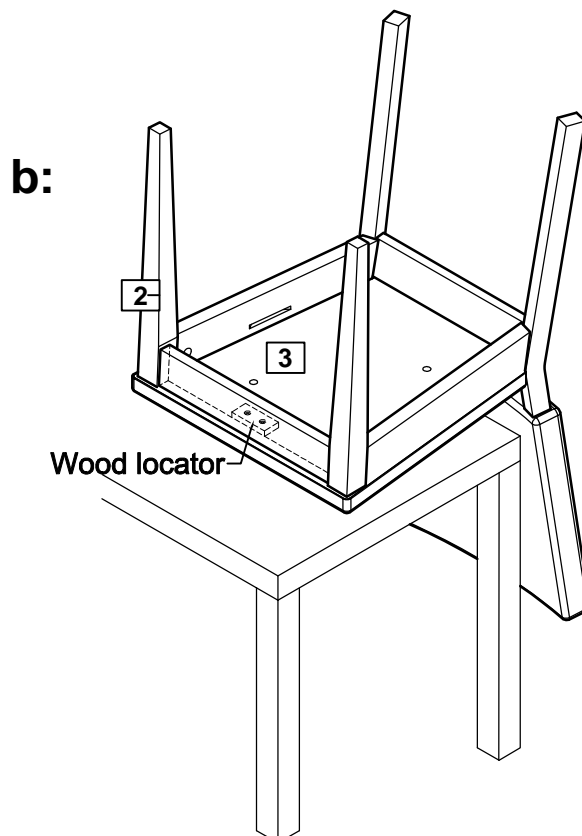
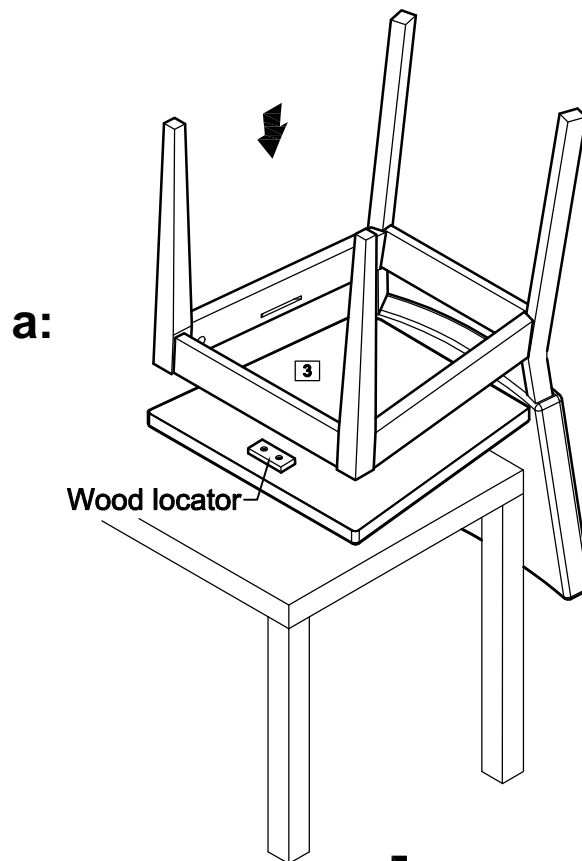
## Step 5

### Placing seat pad.

**a:** Place seat pad **3** on a flat, stable, clean and soft surface as shown.

**b:** Lower the constructed chair frame onto seat pad **3** as shown.

**Note:** Ensure wooden locator block is inside front leg frame **2** as shown.



# Assembly Instructions

## Step 6

### Fixing seat pad.

**a:** Insert 2 seat brackets **C** into the slots on aprons **4** and **5** as shown.

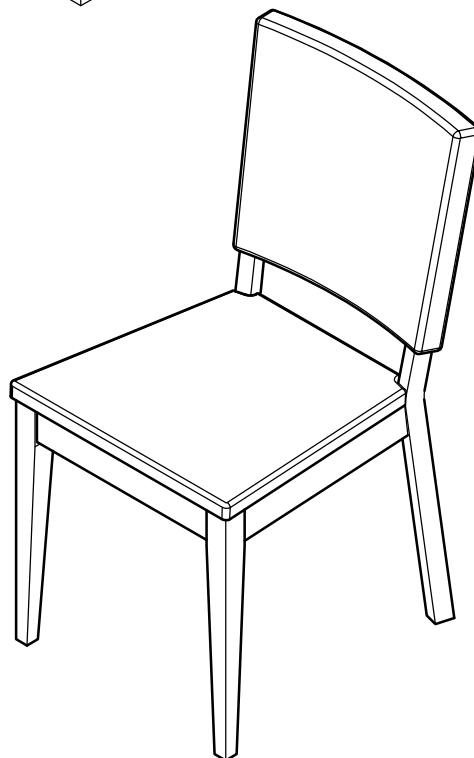
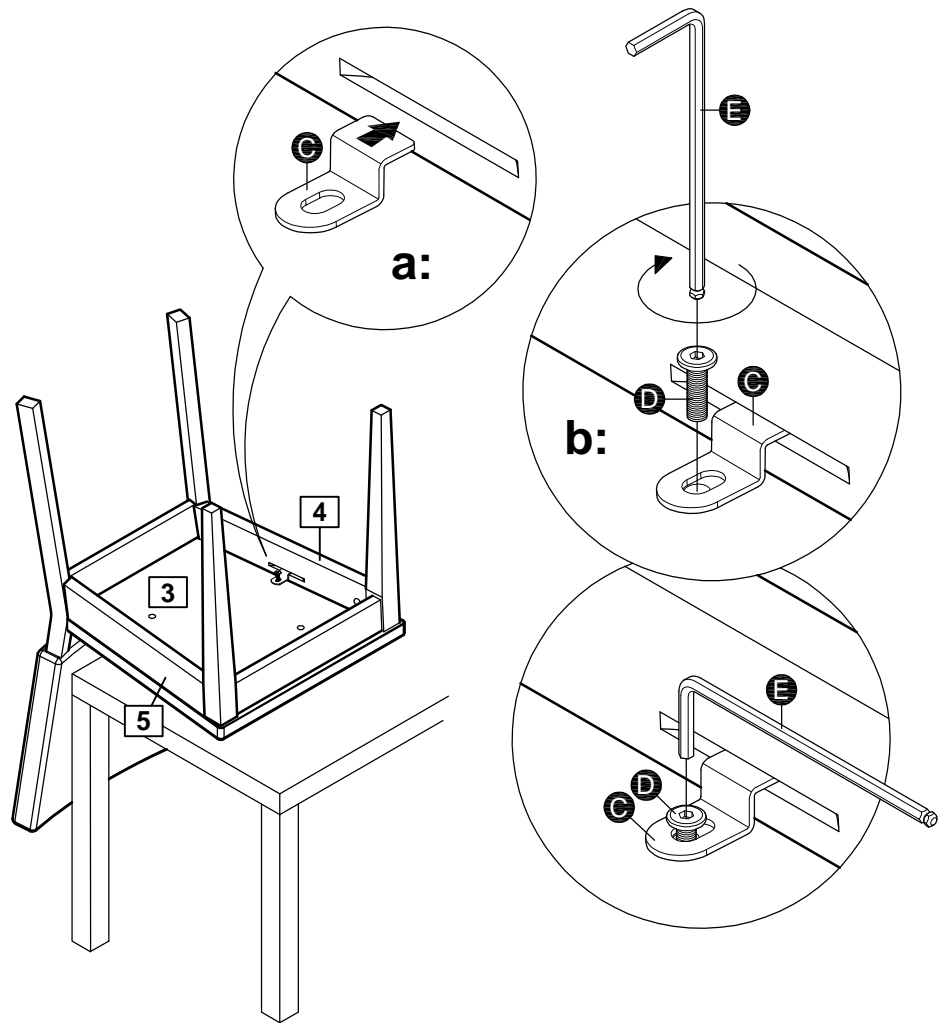
**Note:** Align holes on seat brackets **C** with holes on seat pad **3**.

**b:** Insert 2 bolts **D** into the holes of seat brackets **C** and the holes of mating seat pad **3** as shown.

Use allen key **E** to turn bolts **D** clockwise to fix.

Repeat complete process for second chair.

Assembly is complete.



If you need help or have damaged or missing parts, call the **Customer Helpline: 08456 400800**