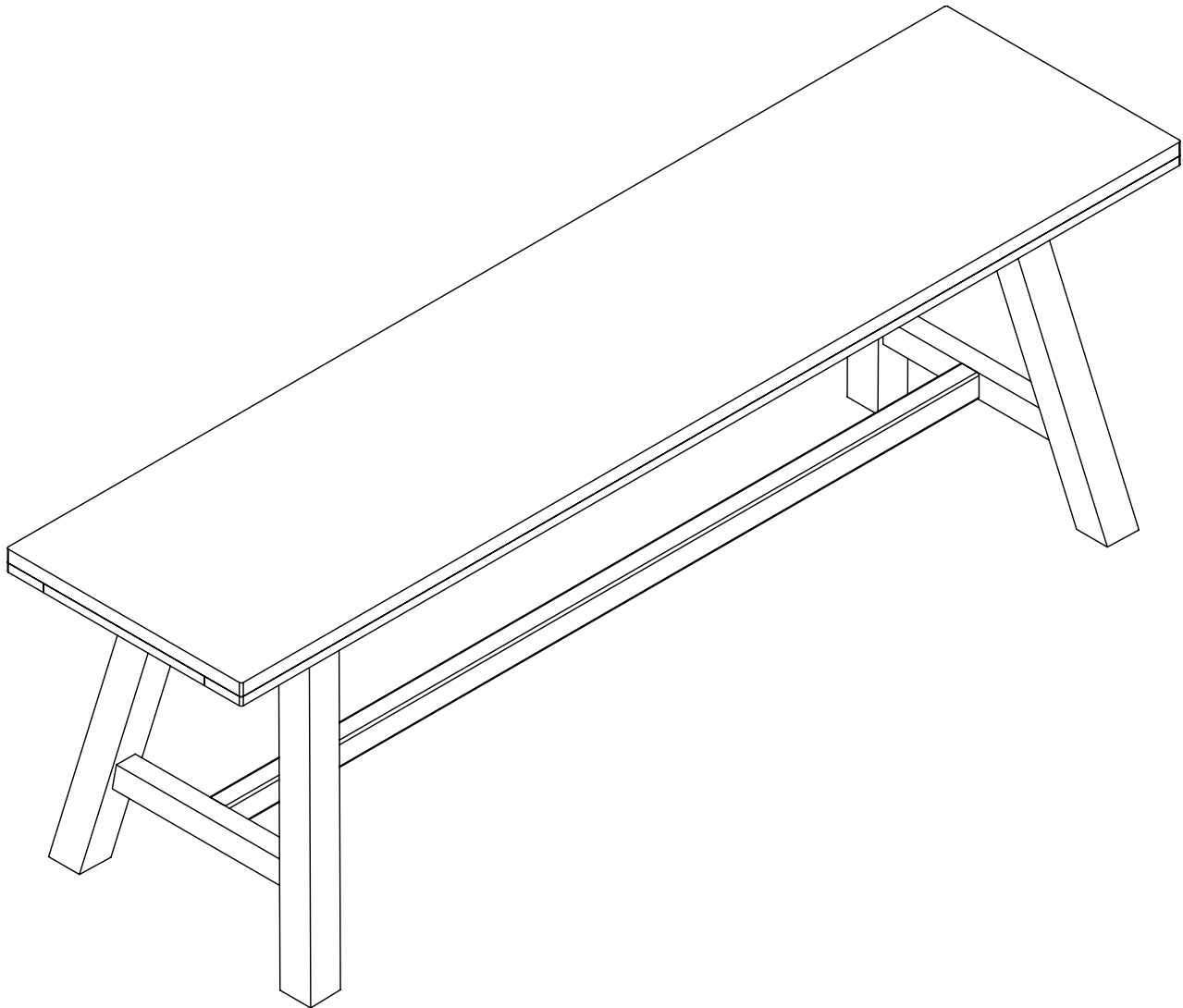


Cannonbury Bench

Assembly Instructions - Please keep for future reference

132/3779

SCHREIBER



Dimensions

Width - 140cm
Depth - 35cm
Height - 45cm

Important - Please read these instructions fully before starting assembly

If you need help or have damaged or missing parts, call the **Customer Helpline: 08450 778 888**



Safety and Care Advice

Important - Please read these instructions fully before starting assembly

- Check you have all the components and tools listed on page 2.
- Remove all fittings from the plastic bags and separate them into their groups.
- Keep children and animals away from the work area, small parts could choke if swallowed.
- Make sure you have enough space to layout the parts before starting.

- Do not stand or put weight on the product, this could cause damage.
- Assemble the item as close to its final position (in the same room) as possible.
- Assemble on a soft level surface to avoid damaging the unit or your floor.
- Parts of the assembly will be easier with 2 people.



- We do not recommend the use of power drill/drivers **for inserting screws**, as this could damage the unit. Only use hand screwdrivers.
- Assemble on a soft level surface to avoid damaging the unit or your floor.
- Dispose of all packaging carefully and responsibly.

Glue safety - Take care when using glue, please follow the advice below

Skin contact: Remove contamination by washing with soap and water. This procedure should also be followed prior to eating and drinking.

Eye contact: Rinse immediately with clean water for 15 minutes and seek medical advice.

If swallowed: Seek medical advice immediately.

Care and maintenance

• Only clean using a damp cloth and mild detergent, do not use bleach or abrasive cleaners.

• From time to time check that there are no loose screws on this unit.

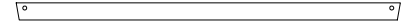
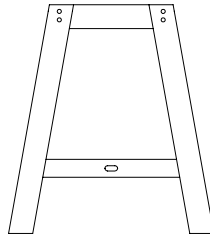
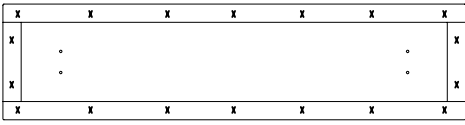
• This product should not be discarded with household waste. Take to your local authority waste disposal centre.

Note: if required the next page can be cut out and used as reference throughout the assembly. Keep this page with these instructions for future reference.

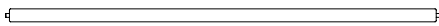
Components - Panels

If you have damaged or missing componets, call the **Customer Helpline:08450 778 888**

Please check you have all the panels listed below



- 1** Seat panel × 1 (140 × 35cm) **2** Side frame × 2 (43.2 × 38.8cm) **3** Cross bar, top × 2 (100.8 × 4.5cm)

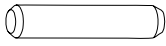
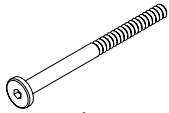
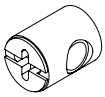
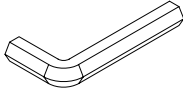
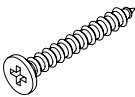


- 4** Cross bar, down × 1 (113.9 × 3.4cm)

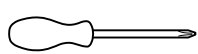
Components - Fittings

Please check you have all the fittings listed below

Note: The quantities below are the correct amount to complete the assembly. In some cases more fittings may be supplied than are required.

| | | |
|--|--|--|
| <p>A </p> <p>40mm Wooden dowel × 8</p> | <p>B </p> <p>70mm Screw × 4</p> | <p>C </p> <p>Locking nut × 4</p> |
| <p>D </p> <p>Allen key × 1</p> | <p>E </p> <p>45mm Screw × 18</p> | |

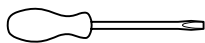
Tools required



Phillips screwdriver
(medium & large)



Small
hammer



Flatblade screwdriver
(medium)

Ruler - Use this ruler to help correctly identify the screws



Assembly Instructions

Step 1

⚠ Entire assembly will be easier with 2 people.

Insert 2 Wooden dowels **A** into the holes where as shown.

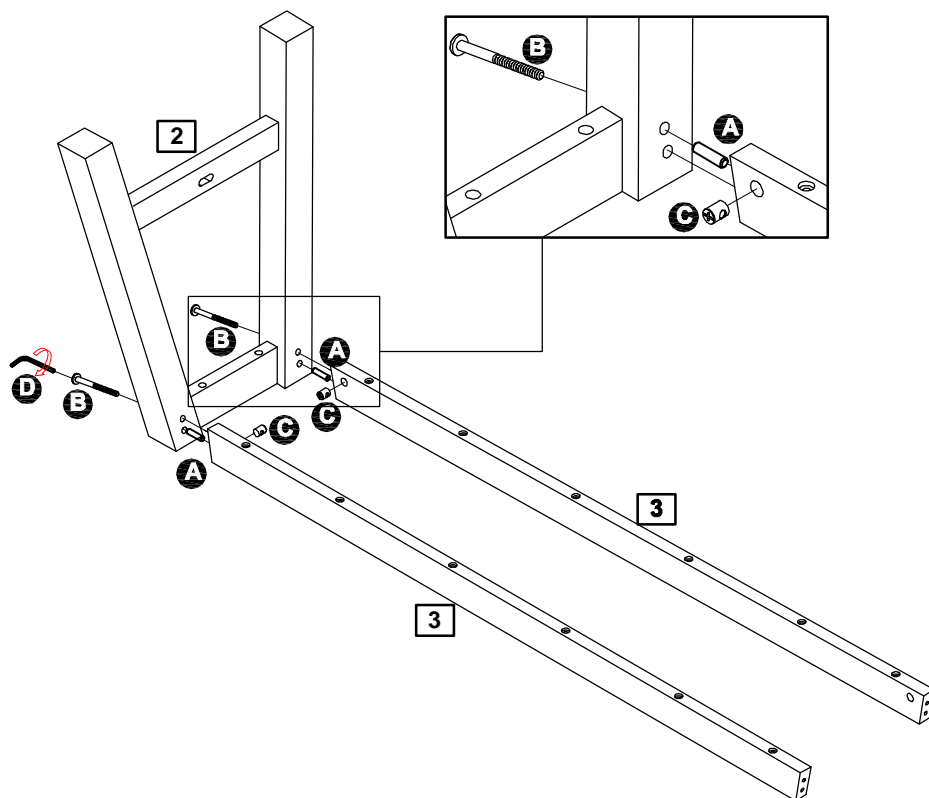
Attach Side frame **2** to 2 Cross bars, top **3** by inserting 2 Screws **B**.

Fix 2 Locking nuts **C** to the holes where as shown.

Note: Use Allen key **D** to turn Screws clockwise to lock.

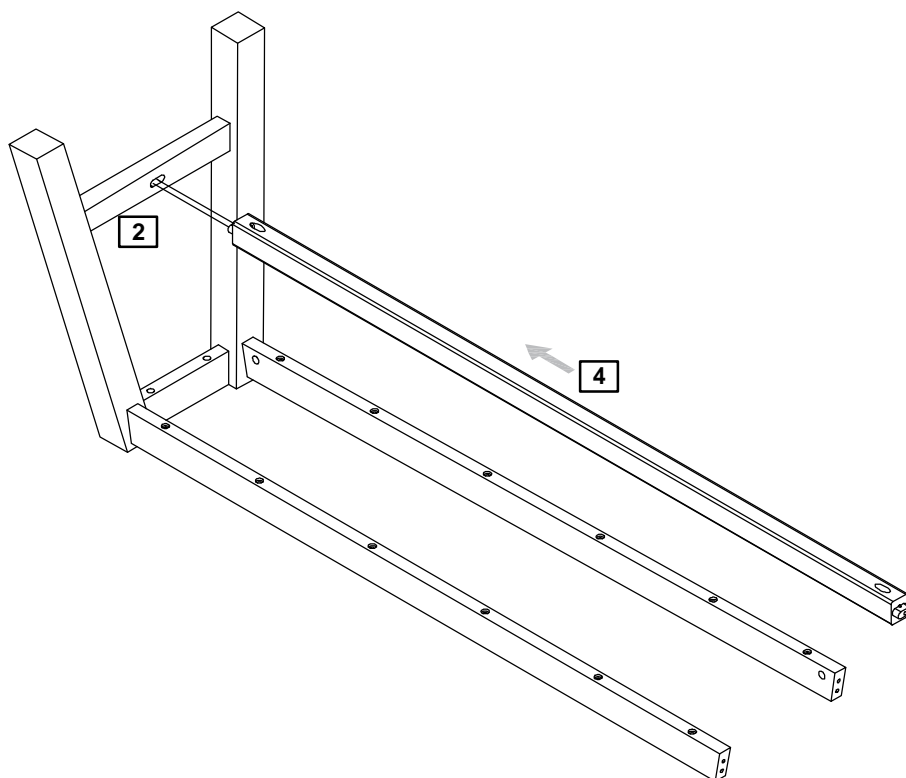
Use a Screwdriver to turn Locking nuts **C** clockwise to lock.

Do not over tighten.



Step 2

Attach Cross bar, down **4** to the hole where as shown.



Assembly Instructions

Step 3

Insert 2 Wooden dowels **A** into the holes where as shown.

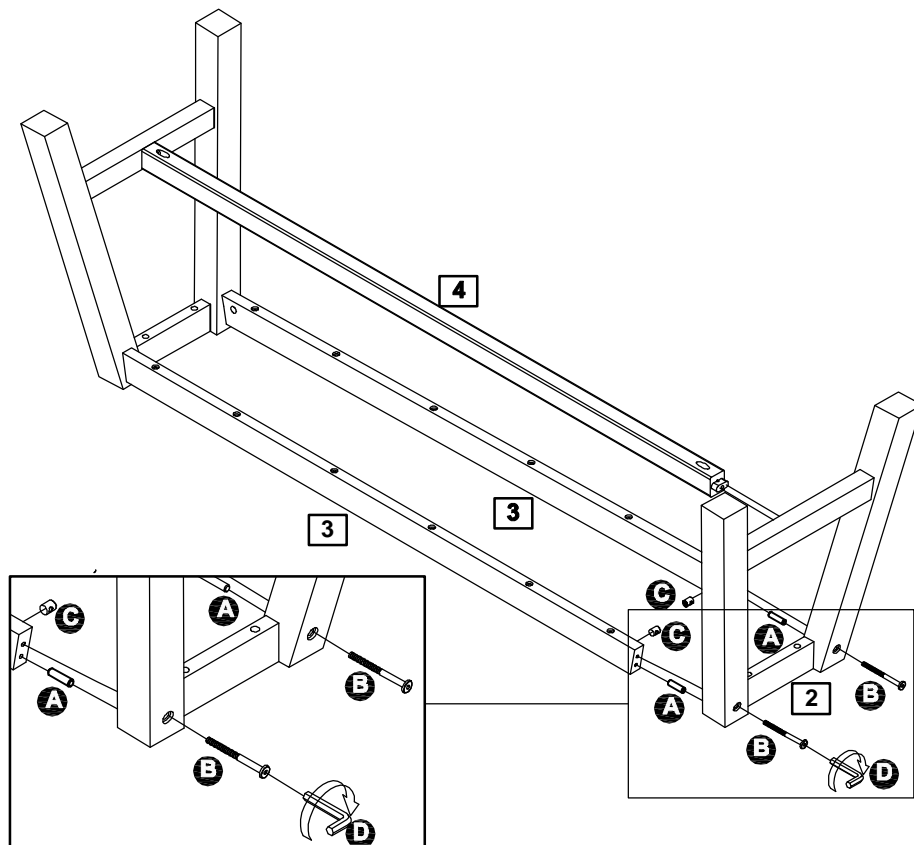
Attach another side frame **2** to the unit by inserting 2 Screws **B**.

Fix 2 Locking nuts **C** to the holes where as shown.

Note: Use Allen key **D** to turn Screws clockwise to lock.

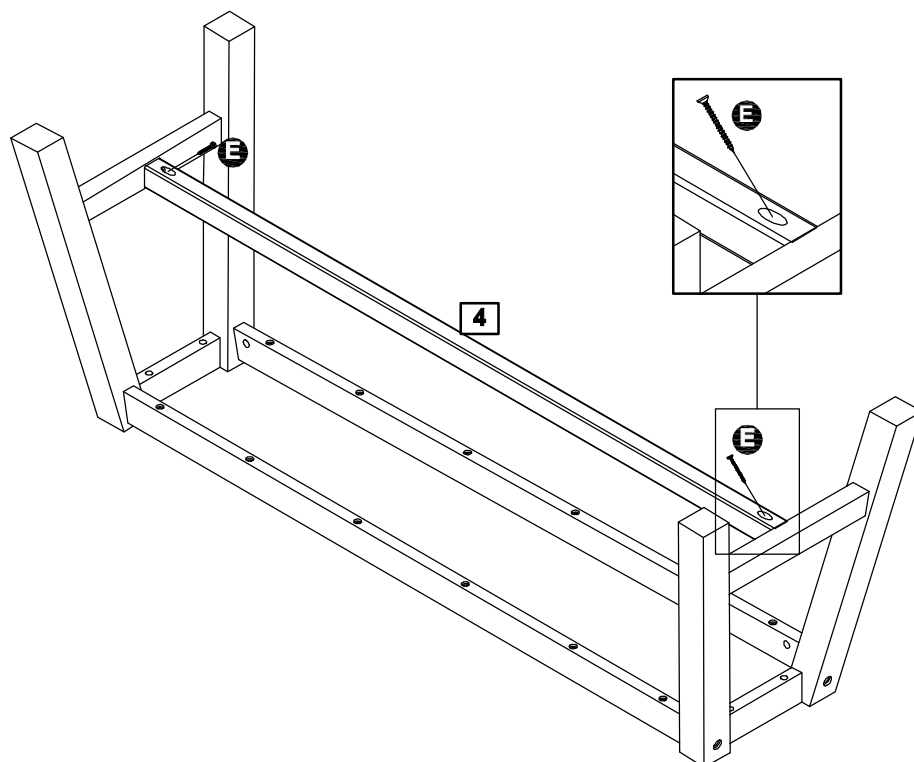
Use a Screwdriver to turn Locking nuts **C** clockwise to lock.

Do not over tighten.



Step 4

Insert 2 Screws **E** to the holes where as shown.

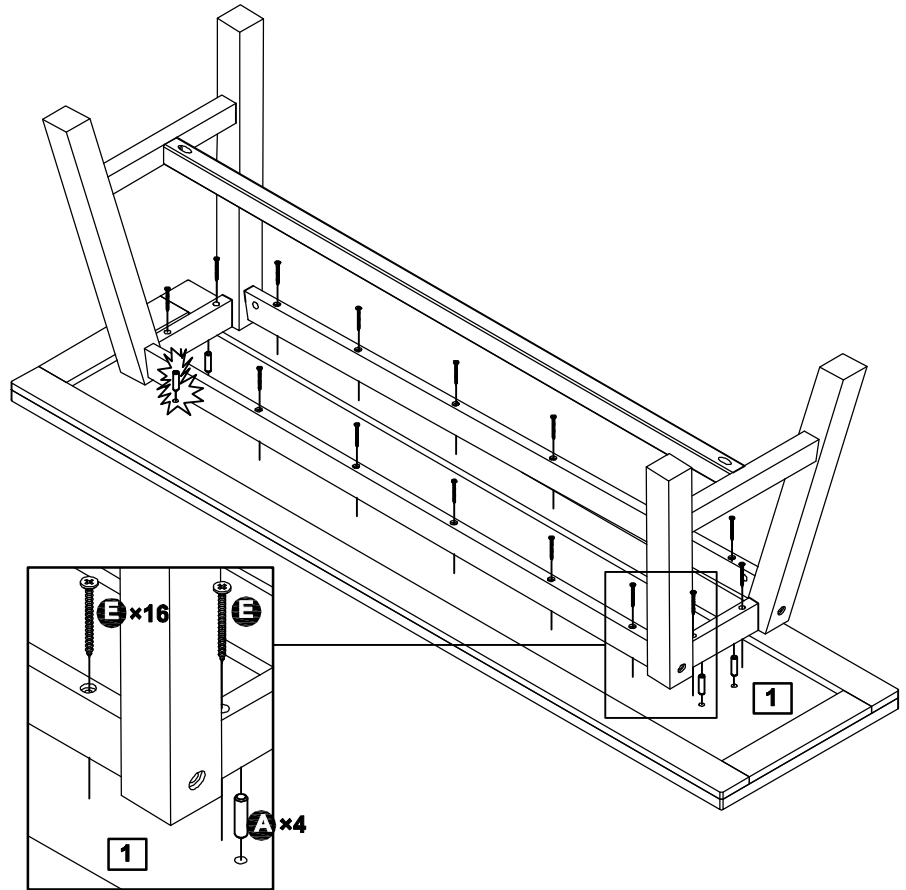


Assembly Instructions

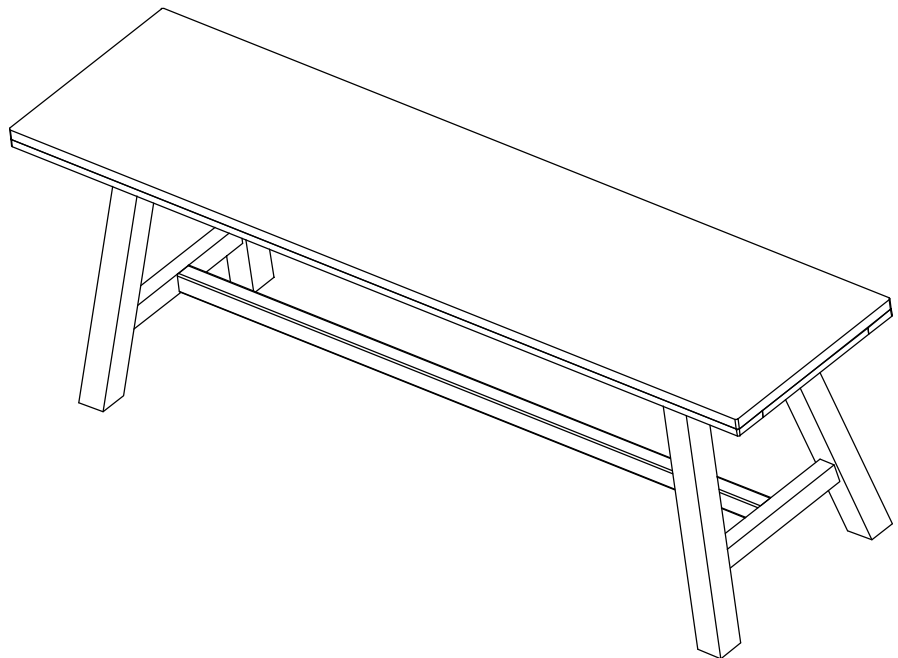
Step 5

Attach the unit to the seat panel **1** by using 4 Wooden dowel **A** & 16 Screws **E**.

Note: Use Allen key **D** to turn Screws clockwise to lock.



Assembly is complete.



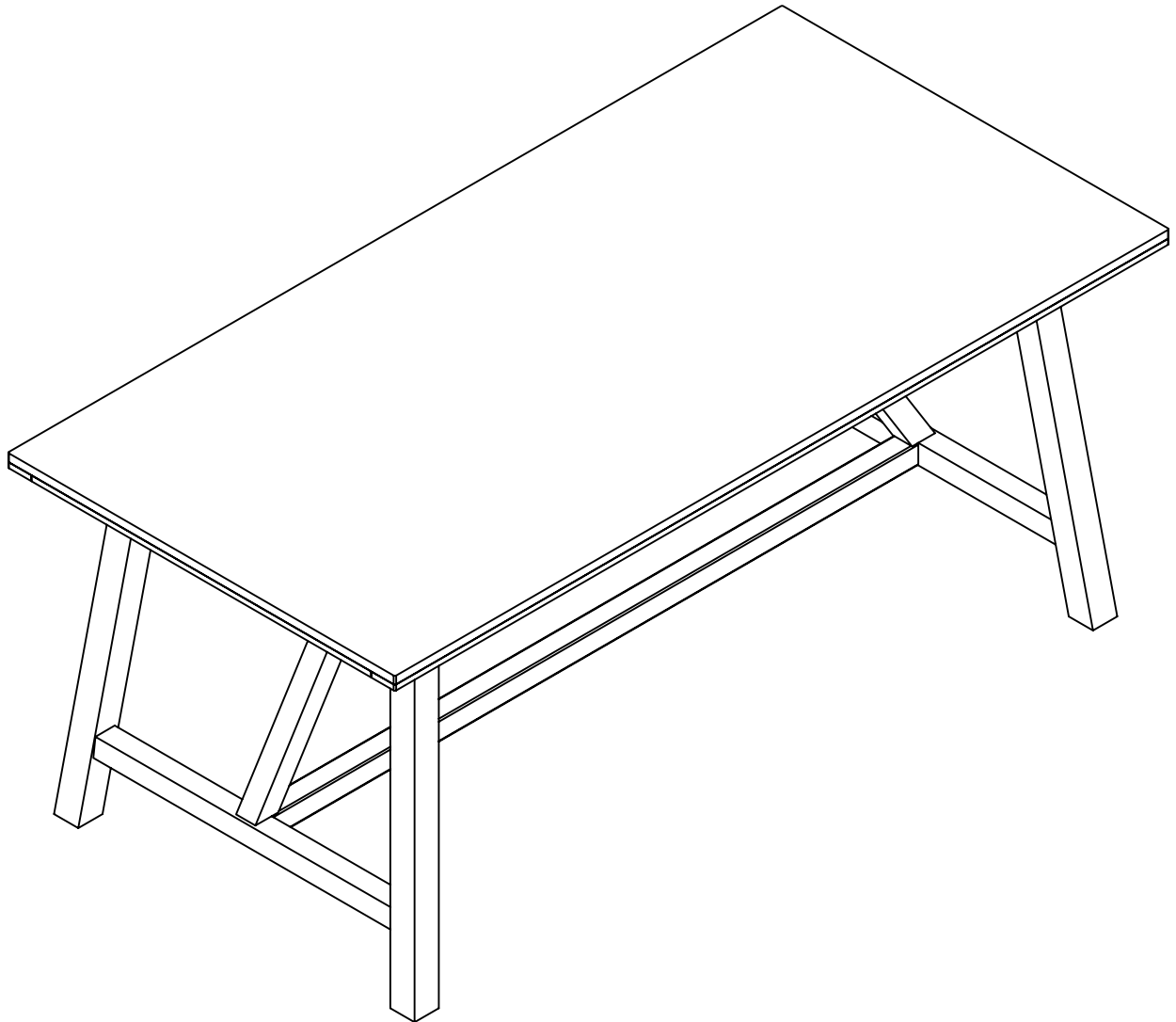
If you need help or have damaged or missing parts, call the **Customer Helpline: 08450 778 888**
Homebase Limited
489-499 Avebury Boulevard Saxon Gate West Central Milton Keynes Bucks, MK9 2NW

Cannonbury Table

Assembly Instructions - Please keep for future reference

132/3786

SCHREIBER



Dimensions

Width - 180cm
Depth - 90cm
Height - 75cm

Important - Please read these instructions fully before starting assembly

If you need help or have damaged or missing parts, call the **Customer Helpline: 08450 778 888**



Safety and Care Advice

Important - Please read these instructions fully before starting assembly

- Check you have all the components and tools listed on page 2.
- Remove all fittings from the plastic bags and separate them into their groups.
- Keep children and animals away from the work area, small parts could choke if swallowed.
- Make sure you have enough space to layout the parts before starting.

- Do not stand or put weight on the product, this could cause damage.
- Assemble the item as close to its final position (in the same room) as possible.
- Assemble on a soft level surface to avoid damaging the unit or your floor.
- Parts of the assembly will be easier with 2 people.



• We do not recommend the use of power drill/drivers **for inserting screws**, as this could damage the unit. Only use hand screwdrivers.

- Assemble on a soft level surface to avoid damaging the unit or your floor.
- Dispose of all packaging carefully and responsibly.

Glue safety - Take care when using glue, please follow the advice below

Skin contact: Remove contamination by washing with soap and water. This procedure should also be followed prior to eating and drinking.

Eye contact: Rinse immediately with clean water for 15 minutes and seek medical advice.

If swallowed: Seek medical advice immediately.

Care and maintenance

• Only clean using a damp cloth and mild detergent, do not use bleach or abrasive cleaners.

• From time to time check that there are no loose screws on this unit.

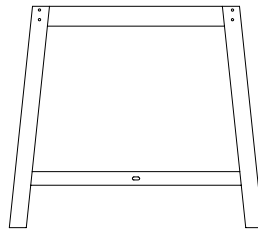
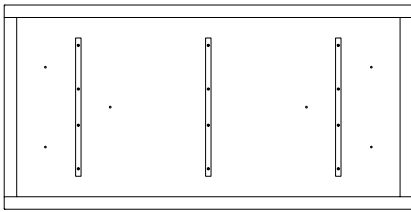
• This product should not be discarded with household waste. Take to your local authority waste disposal centre.

Note: if required the next page can be cut out and used as reference throughout the assembly. Keep this page with these instructions for future reference.

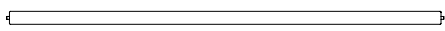
Components - Panels

If you have damaged or missing componets, call the **Customer Helpline:08450 778 888**

Please check you have all the panels listed below



- 1** Top panel × 1 (180 × 90cm) **2** Side frame × 2 (73.2 × 83.8cm) **3** Cross bar, top× 2 (138.6 × 6.8cm)

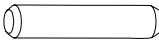
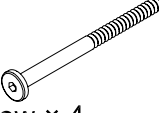
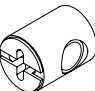
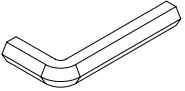
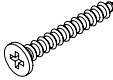
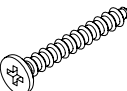


- 4** Cross bar, down× 1 (152.2 × 4.5cm) **5** Support bar× 2 (66.9 × 4.5cm)

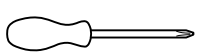
Components - Fittings

Please check you have all the fittings listed below

Note: The quantities below are the correct amount to complete the assembly. In some cases more fittings may be supplied than are required.

| | | |
|---|---|--|
| <p>A </p> <p>40mm Wooden dowel × 10</p> | <p>B </p> <p>80mm Screw × 4</p> | <p>C </p> <p>Locking nut × 4</p> |
| <p>D </p> <p>Allen key × 1</p> | <p>E </p> <p>30mm Screw × 4</p> | <p>F </p> <p>45mm Screw × 26</p> |

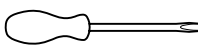
Tools required



Phillips screwdriver
(medium & large)



Small
hammer



Flatblade screwdriver
(medium)

Ruler - Use this ruler to help correctly identify the screws



Assembly Instructions

Step 1

⚠ Entire assembly will be easier with 2 people.

Insert 2 Wooden dowels **A** into the holes where as shown.

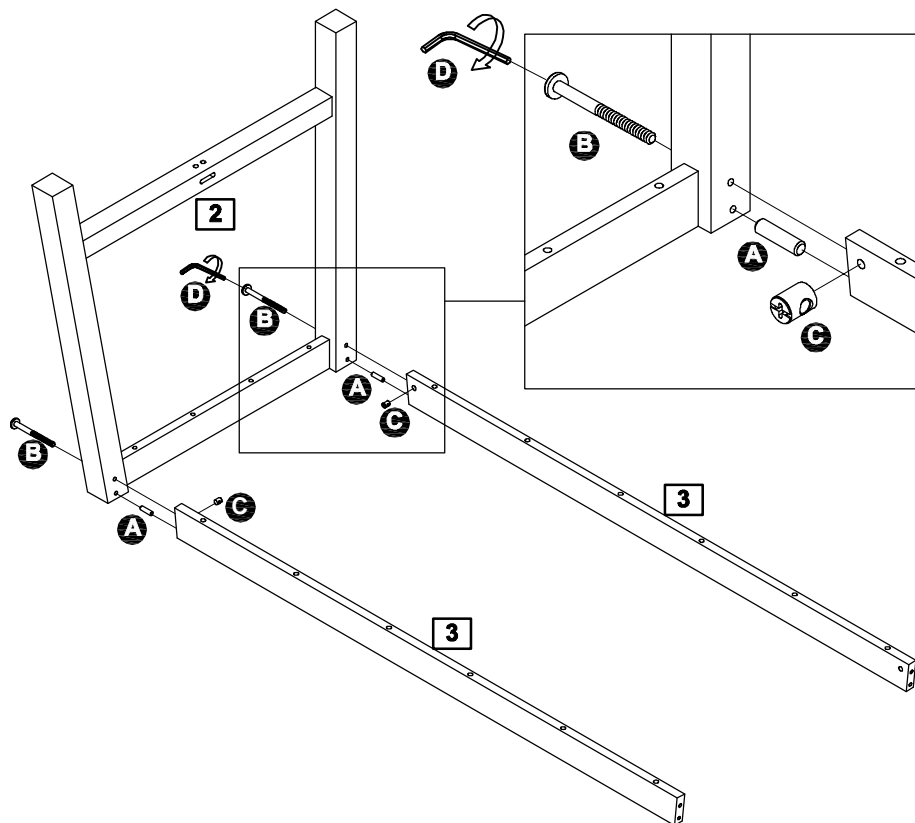
Attach Side frame **2** to 2 Cross bars, top **3** by inserting 2 Screws **B**.

Fix 2 Locking nuts **C** to the holes where as shown.

Note: Use Allen key **D** to turn Screws clockwise to lock.

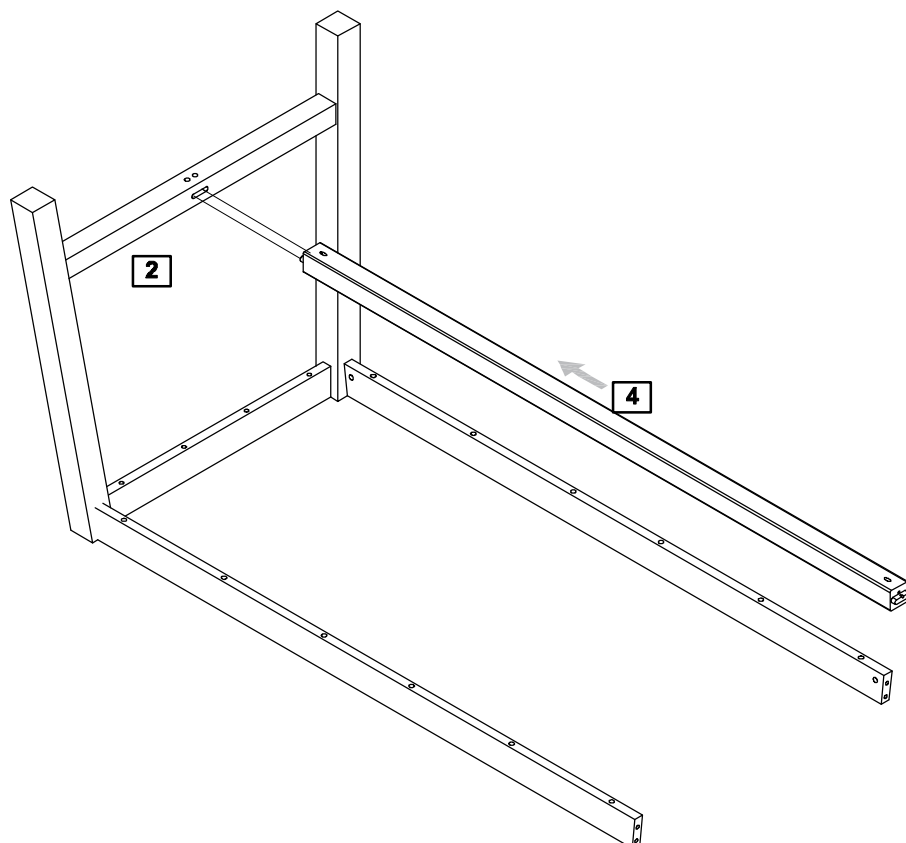
Use a Screwdriver to turn Locking nuts **C** clockwise to lock.

Do not over tighten.



Step 2

Attach Cross bar, down **4** to the hole where as shown.



Assembly Instructions

Step 3

Insert 2 Wooden dowels **A** into the holes where as shown.

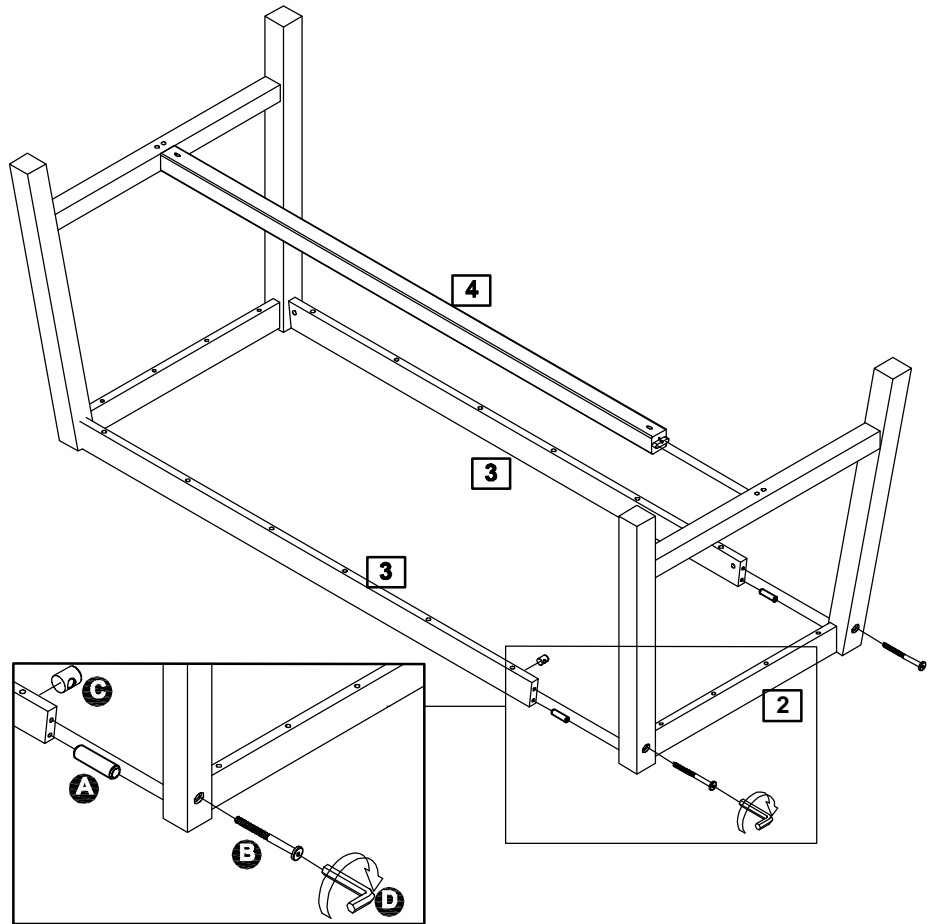
Attach another side frame **2** to the unit by inserting 2 Screws **B**.

Fix 2 Locking nuts **C** to the holes where as shown.

Note: Use Allen key **D** to turn Screws clockwise to lock.

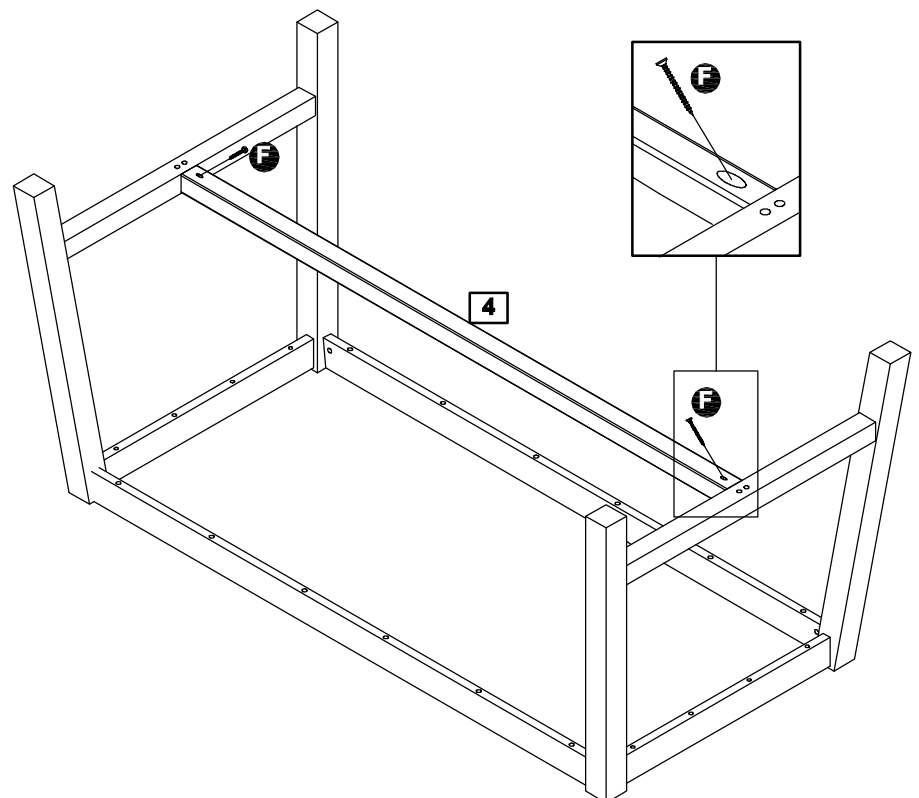
Use a Screwdriver to turn Locking nuts **C** clockwise to lock.

Do not over tighten.



Step 4

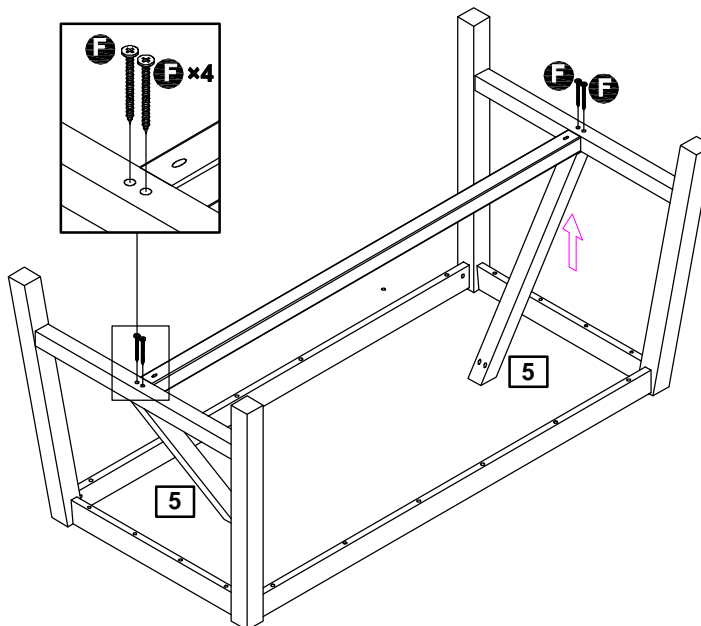
Insert 2 Screws **F** to the holes where as shown.



Assembly Instructions

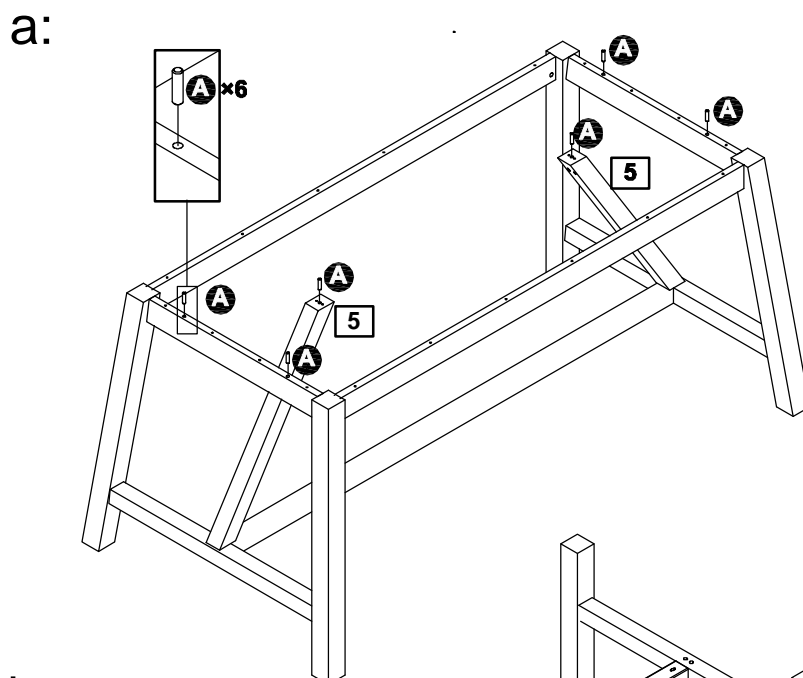
Step 5

Attach 2 Support bar **5** to the unit by using 4 Screws **F**.

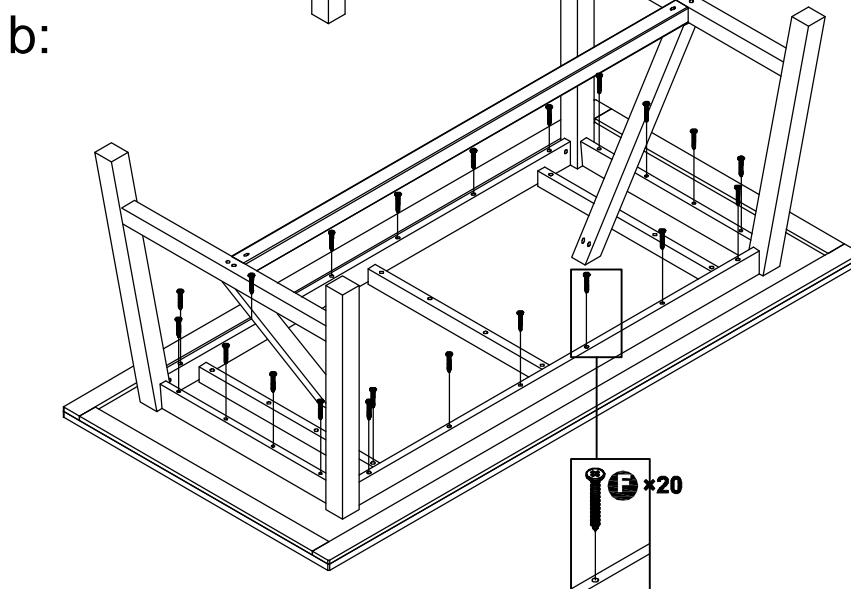


Step 6

a: Insert 6 Wooden dowels **A** to the unit where as shown **5**.



b: Attach Top panel **1** to the unit by using 20 Screws **F**.

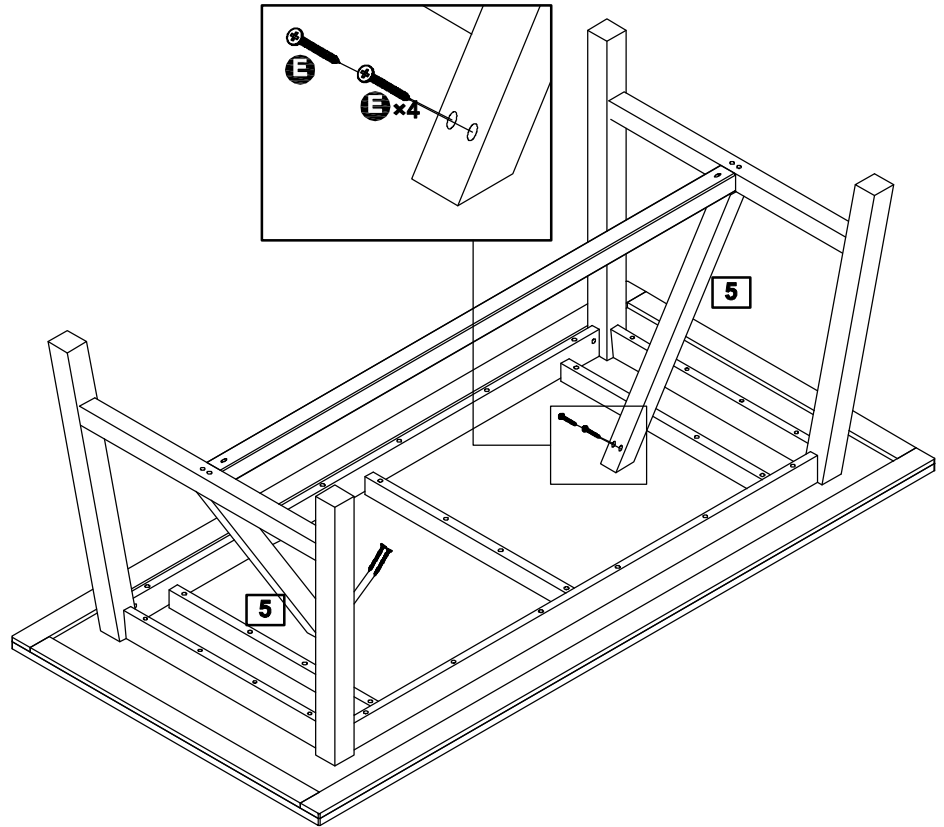


Assembly Instructions

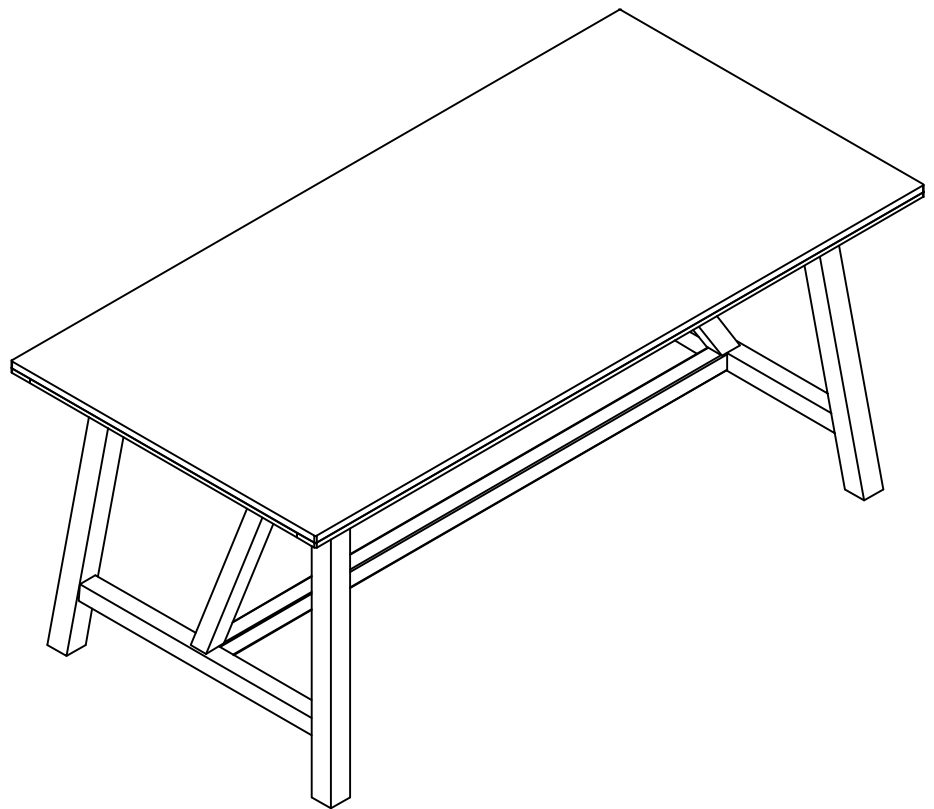
Step 7

Insert 4 Screws **E** to the units where as shown.

Note: Use Allen key **D** to turn Screws clockwise to lock.



Assembly is complete.



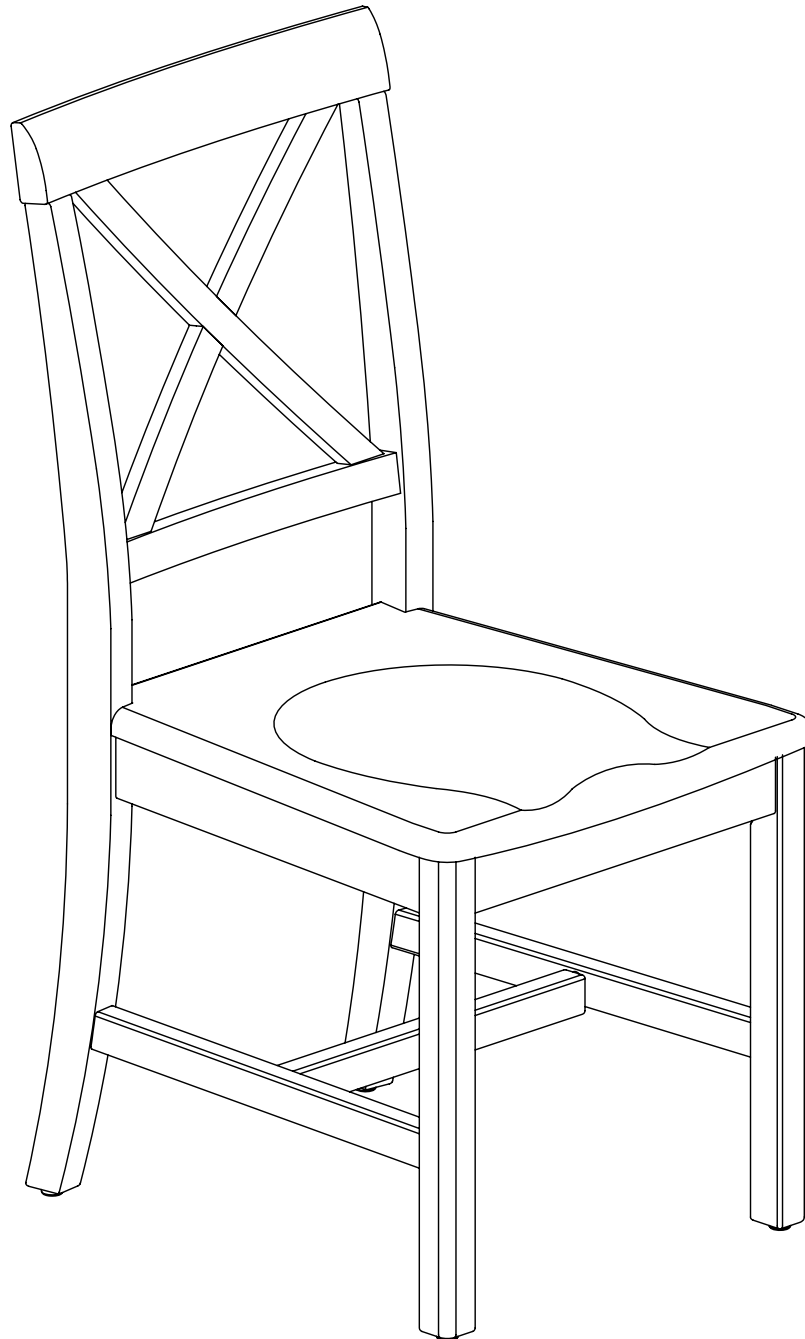
If you need help or have damaged or missing parts, call the **Customer Helpline: 08450 778 888**
Homebase Limited
489-499 Avebury Boulevard Saxon Gate West Central Milton Keynes Bucks, MK9 2NW

Cannonbury-Wooden Pair of Chairs

Assembly Instructions - Please keep for future reference

132/3803

SCHREIBER



Dimensions

Width - 43.8cm
Depth - 53.6cm
Height - 92.7cm

Important - Please read these instructions fully before starting assembly

If you need help or have damaged or missing parts, call the **Customer Helpline: 08450 778 888**



Safety and Care Advice

Important - Please read these instructions fully before starting assembly

- Check you have all the components and tools listed on page 2 .
- Remove all fittings from the plastic bags and separate them into their groups.
- Keep children and animals away from the work area, small parts could choke if swallowed.
- Make sure you have enough space to layout the parts before starting.

- Do not stand or put weight on the product, this could cause damage.
- Assemble the item as close to its final position (in the same room) as possible.
- Assemble on a soft level surface to avoid damaging the unit or your floor.
- Parts of the assembly will be easier with 2 people.



- We do not recommend the use of power drill/drivers **for inserting screws**, as this could damage the unit. Only use hand screwdrivers.
- Assemble on a soft level surface to avoid damaging the unit or your floor.
- Dispose of all packaging carefully and responsibly.

Glue safety - Take care when using glue, please follow the advice below

Skin contact: Remove contamination by washing with soap and water. This procedure should also be followed prior to eating and drinking.

Eye contact: Rinse immediately with clean water for 15 minutes and seek medical advice.

If swallowed: Seek medical advice immediately.

Care and maintenance

• Only clean using a damp cloth and mild detergent, do not use bleach or abrasive cleaners.

• From time to time check that there are no loose screws on this unit.

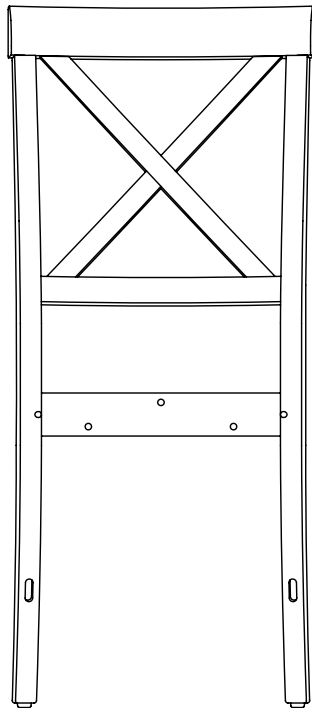
• This product should not be discarded with household waste. Take to your local authority waste disposal centre.

Note: if required the next page can be cut out and used as reference throughout the assembly. Keep this page with these instructions for future reference.

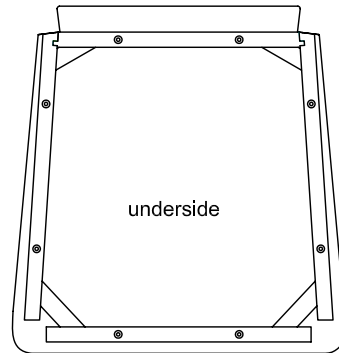
Components - Panels

If you have damaged or missing componets, call the **Customer Helpline:08450 778 888**

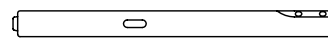
Please check you have all the panels listed below



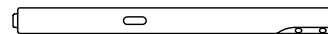
1 Backrest (40.4 × 92.8cm)



2 Seat (43.8 × 45.9cm)



3 Leg, left (41.6 × 3.4cm)



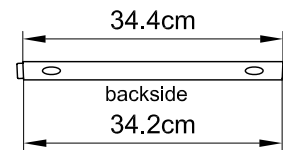
4 Leg, right (41.6 × 3.4cm)



5 Crossbar, left (42.2 × 3.4cm)



6 Crossbar, right (42.2 × 3.4cm)



7 Crossbar, middle (36 × 2.4cm)

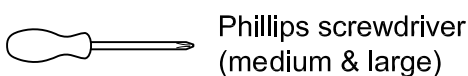
Components - Fittings

Please check you have all the fittings listed below

Note: The quantities below are the correct amount to complete the assembly. In some cases more fittings may be supplied than are required.

| | | |
|--|--|--|
| <p>A</p> <p>Ø6×65mm Screw × 6</p> | <p>B</p> <p>Flat Washer × 9</p> | <p>C</p> <p>Spring Washer × 9</p> |
| <p>D</p> <p>Ø6×45mm Screw × 3</p> | <p>E</p> <p>Ø4×40mm Screw × 6</p> | <p>F</p> <p>Allen key × 1</p> |

Tools required



Ruler - Use this ruler to help correctly identify the screws



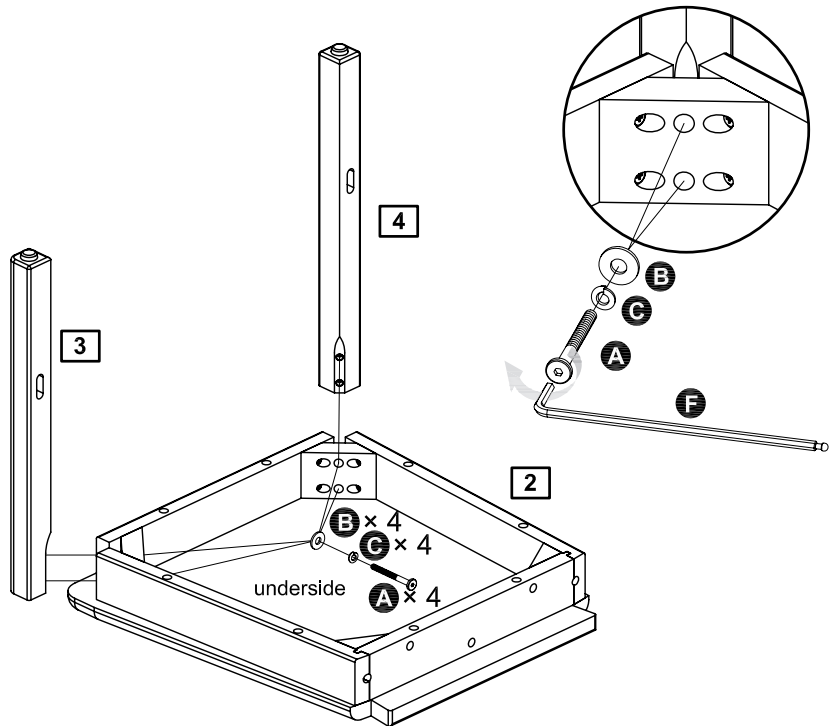
Assembly Instructions

Step 1

Fixing Legs

Fix Leg, left **3** & Leg, right **4** to the Seat **2** by 4 Screws **A** complete with Flat washer **B** & Spring washer **G**.

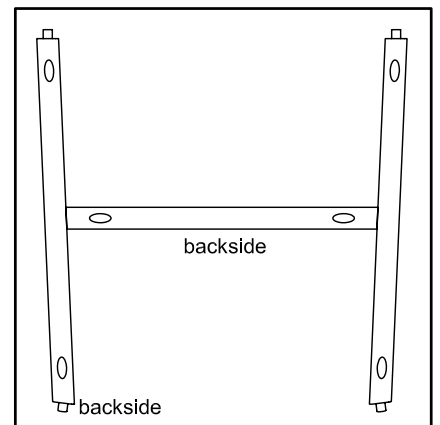
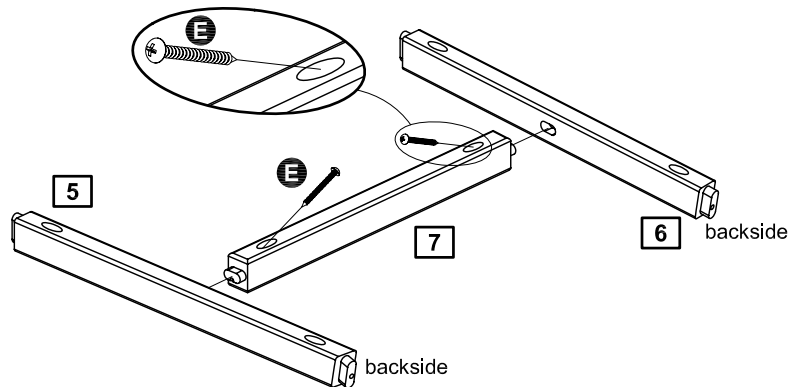
Use Allen key **F** to turn Screws **A** clockwise to lock.



Step 2

Crossbars assembly

Attach Crossbar, left **5** & Crossbar, right **6** to Crossbar, middle **7** by using 2 Screws **E**.

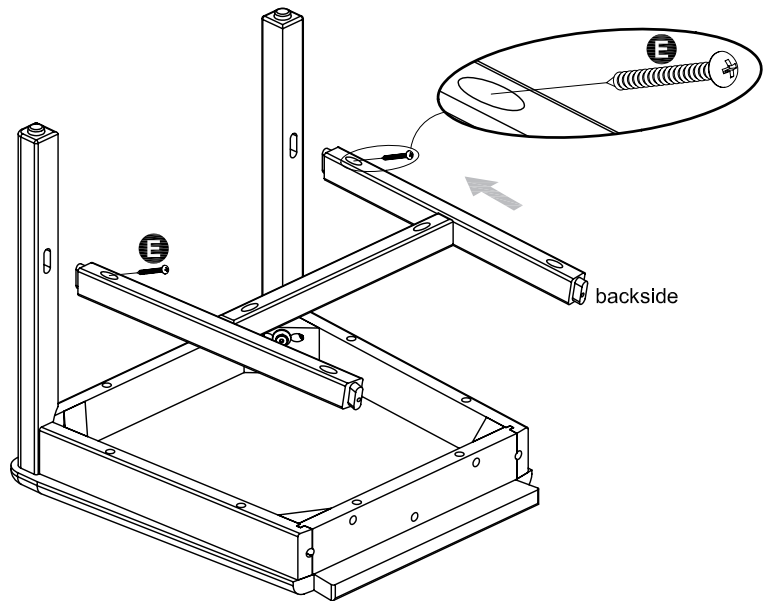


Assembly Instructions

Step 3

Attaching crossbars

Attach the Crossbar unit to the Seat unit by using 2 Screws **E**.

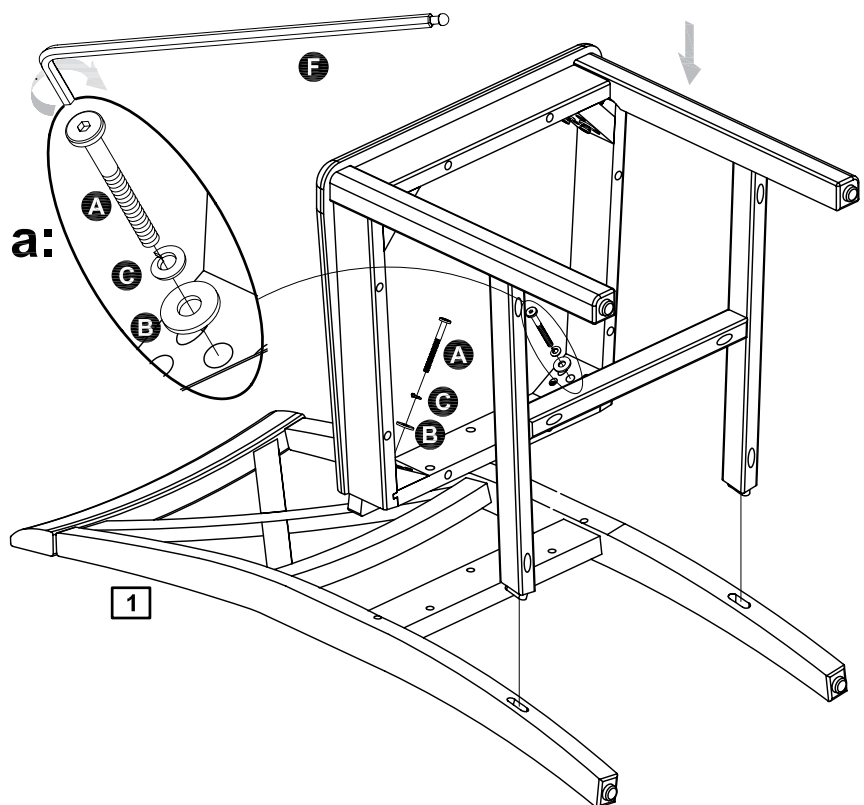


Step 4

Attaching Backrest

a: Attach the Seat unit to Backrest **1** by using 2 Screws **A** complete with 2 Flat washers **B** & 2 Spring washer **C**.

Use Allen key **F** to turn Screws **A** clockwise to lock.



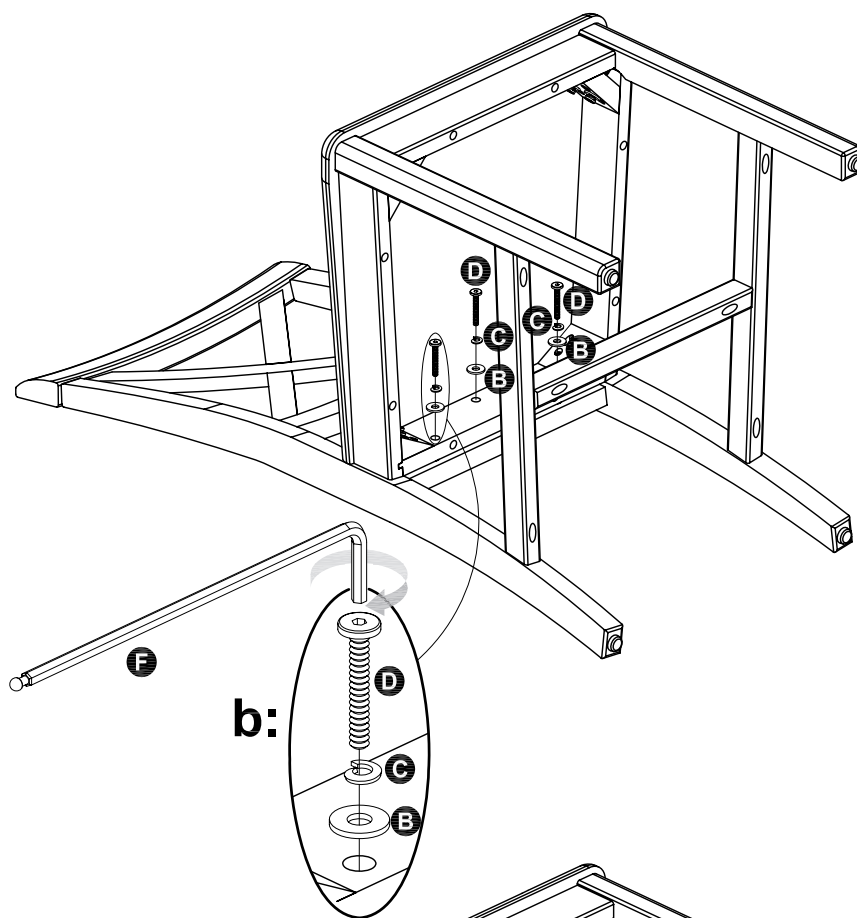
Continued on next page.

Assembly Instructions

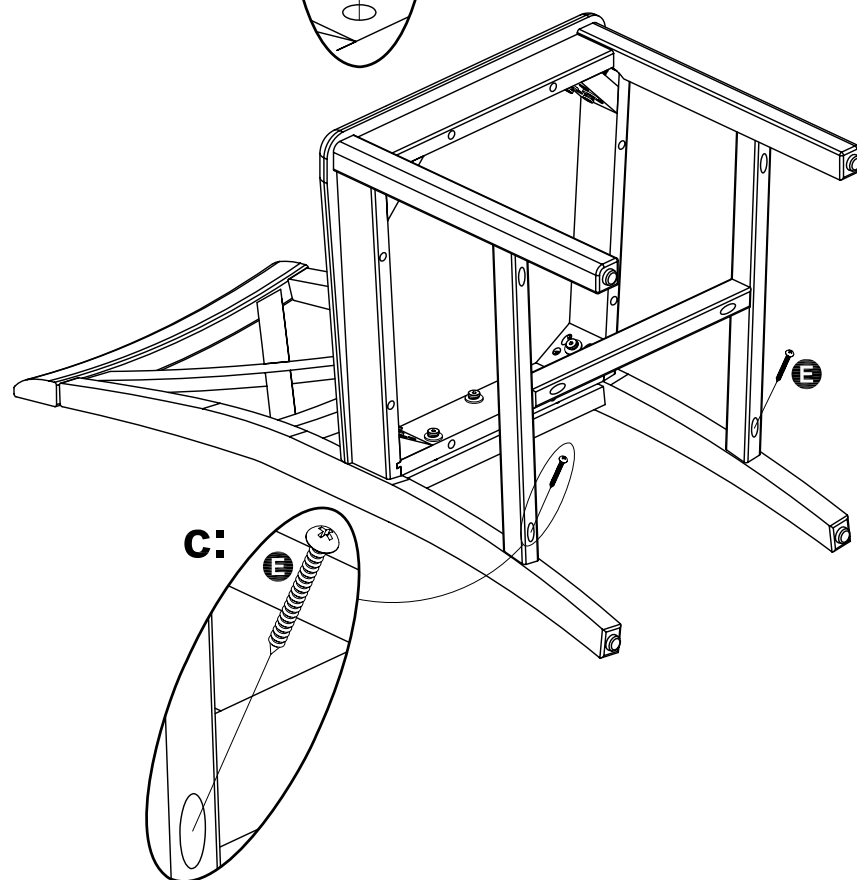
Step 4 - continued

b: Attach the Seat unit to Backrest **1** by 3 Screws **D** complete with 3 Flat washers **B** & 3 Spring washers **C**.

Use Allen key **F** to turn Screws **D** clockwise to lock.



c: Insert 2 Screws **E** where as shown.



If you need help or have damaged or missing parts, call the Customer Helpline: 08450 778 888
Homebase Limited
489-499 Avebury Boulevard Saxon Gate West Central Milton Keynes Bucks, MK9 2NW