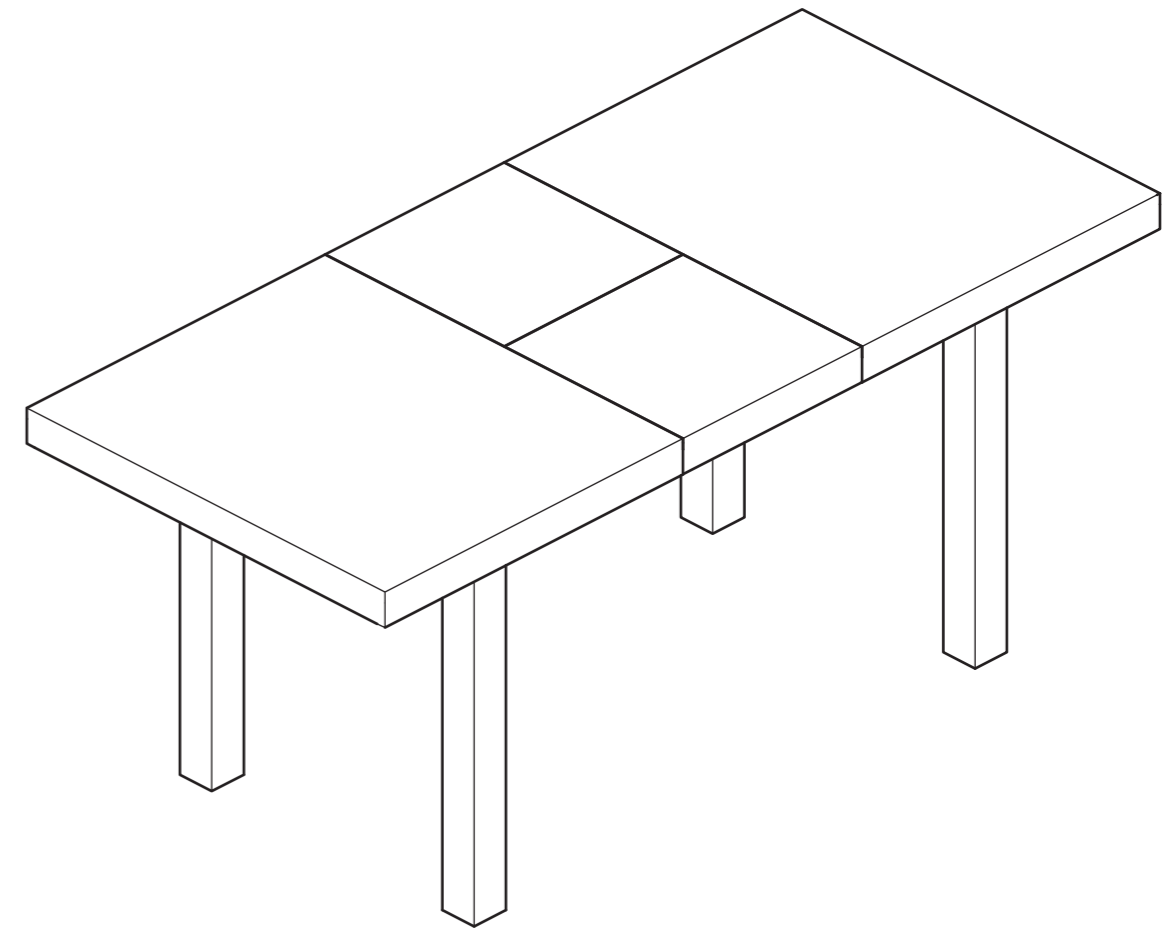


Wickham Extendable Table

Assembly Instructions - Please keep for future reference

603/7462



Dimensions

Width - 150 (195)cm
Depth - 90cm
Height - 75cm

Important – Please read these instructions fully before starting assembly

If you need help or have damaged or missing parts, call the **Customer Helpline: 08456 400800**

! Safety and Care Advice

Important – Please read these instructions fully before starting assembly

- Check you have all the components and tools listed on page 2 and 3.
- Remove all fittings from the plastic bags and separate them into their groups.
- Keep children and animals away from the work area, small parts could choke if swallowed.
- Make sure you have enough space to layout the parts before starting.
- Do not stand or put weight on the product during assembly, this could cause damage.
- Assemble the item as close to its final position (in the same room) as possible.
- Assemble on a soft level surface to avoid damaging the unit or your floor.
- Parts of the assembly will be easier with 2 people.



• We do not recommend the use of power drill/drivers **for inserting screws**, as this could damage the unit. Only use hand screwdrivers.

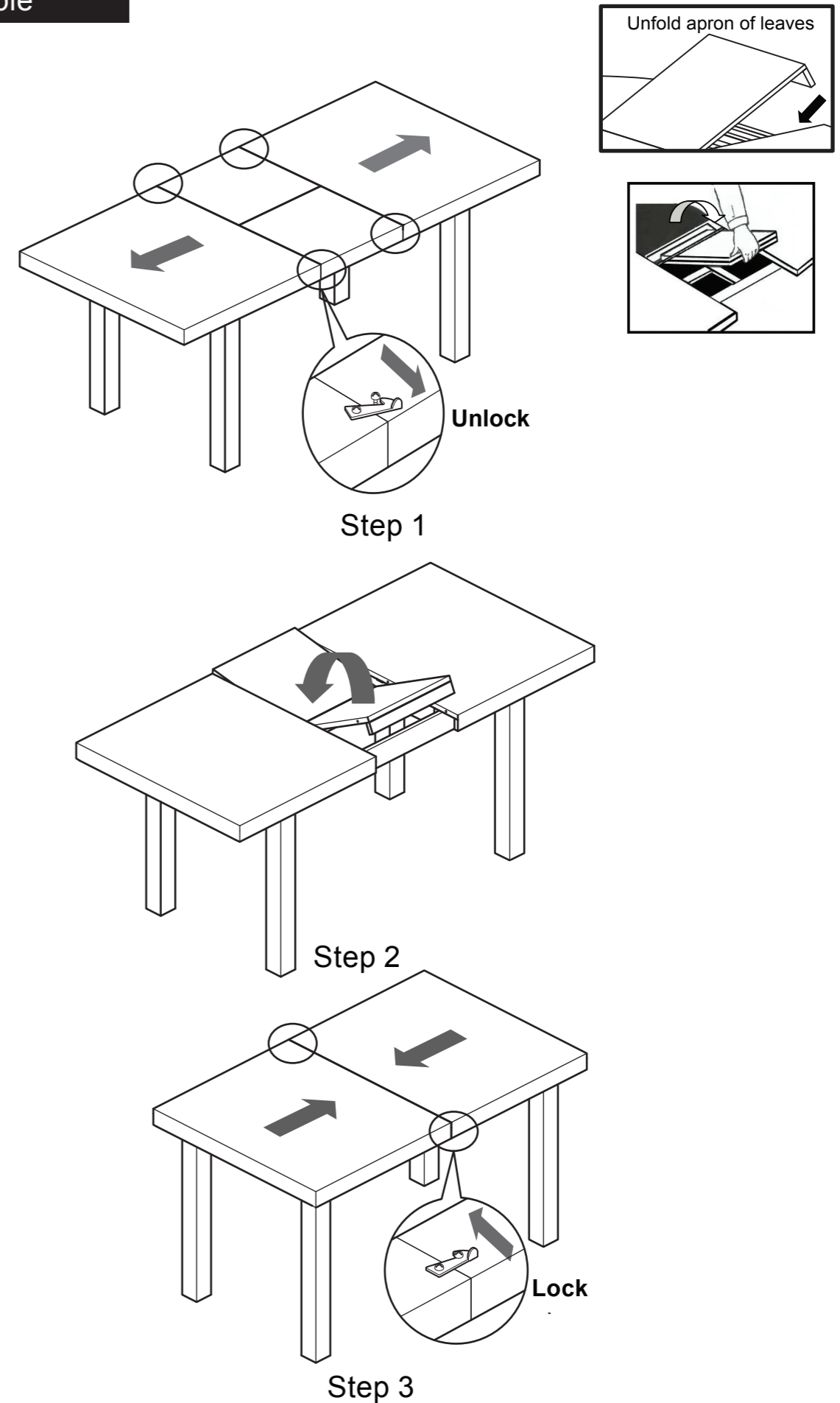
• Dispose of all packaging carefully and responsibly.

Care and maintenance

- Only clean using a damp cloth and mild detergent, do not use bleach or abrasive cleaners.
- From time to time check that there are no loose screws on this unit.
- This product should not be discarded with household waste. Take to your local authority waste disposal centre.

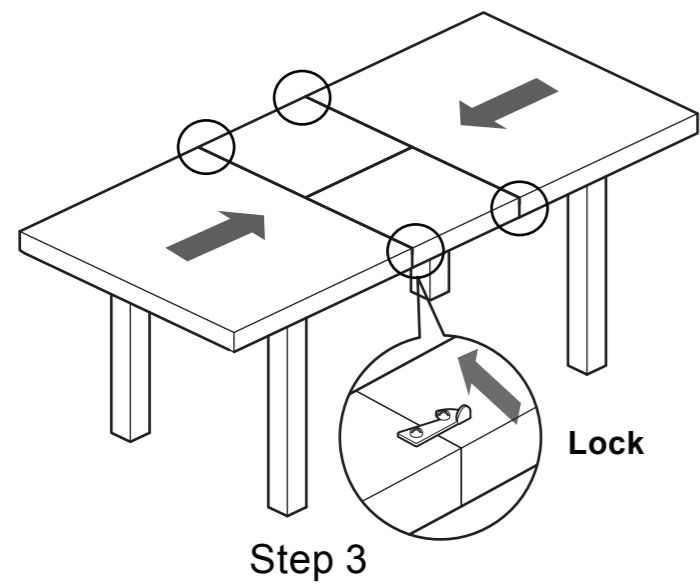
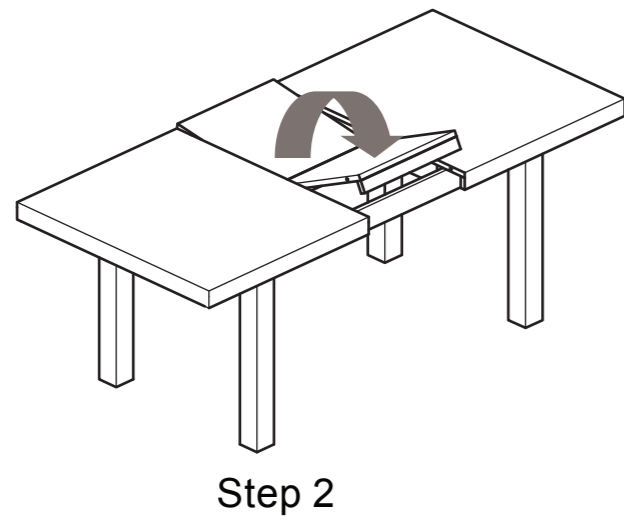
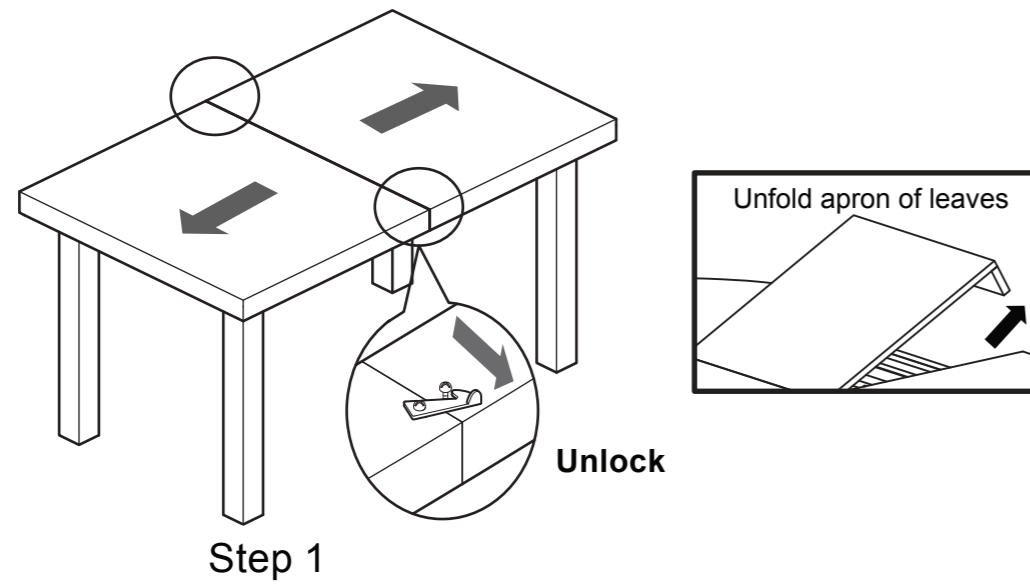
Assembly Instructions

Close table



Assembly Instructions

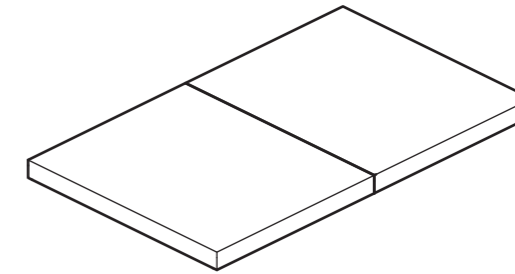
Open table



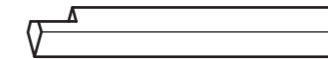
Components - Parts

If you have damaged or missing components, call the **Customer Helpline: 08456 40800**

Please check you have all the parts listed below



1 Table top x 1

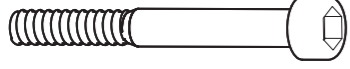





2 Leg x 4

Components - Fittings

Please check you have all the fittings listed below

Note :The quantities below are the correct amount to complete the assembly. In some cases more fittings may be supplied than are required.

A  Bolt x 8	B  Spring washer x 8	C  Washer x 8
D  Allen key x 1		

Assembly Instructions

Step 1

Place table top upside down being careful to not scratch the table top surface (Leaving the product within its cardboard packaging will assist you in being able to do this)

a:

Now attach the legs **2** (x4) to each of the corners, by first step insert spring washers **B** and washers **C** into all the bolts **A** . Then screw the bolts **A** through the corner blocks and into the holes in the legs **2** . Tighten bolts by using the allen key **D** .

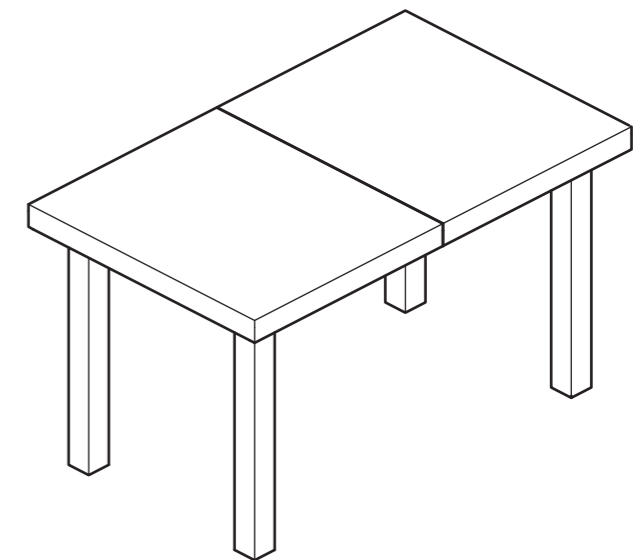
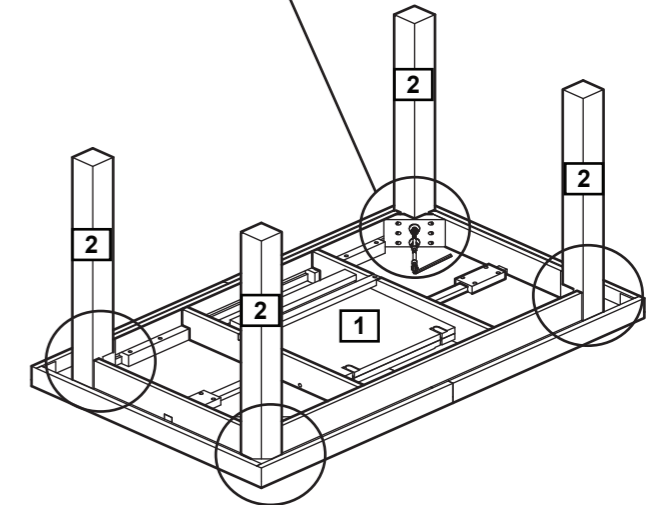
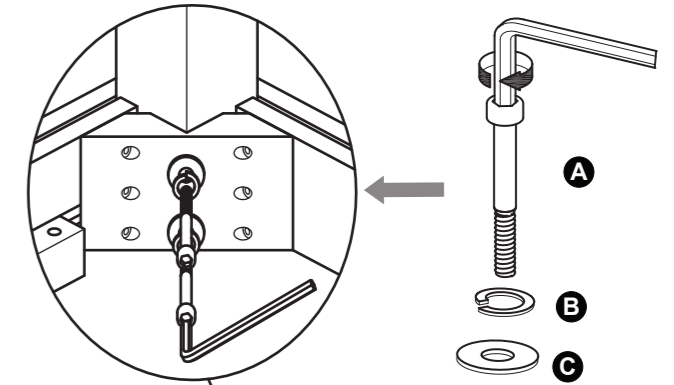
Tighten all 8 bolts securely.

b:

b: 2 people are required for this next stage.

Please now turn the table 180 degrees and place on all four of its legs in your desired location.

Assembly is complete.



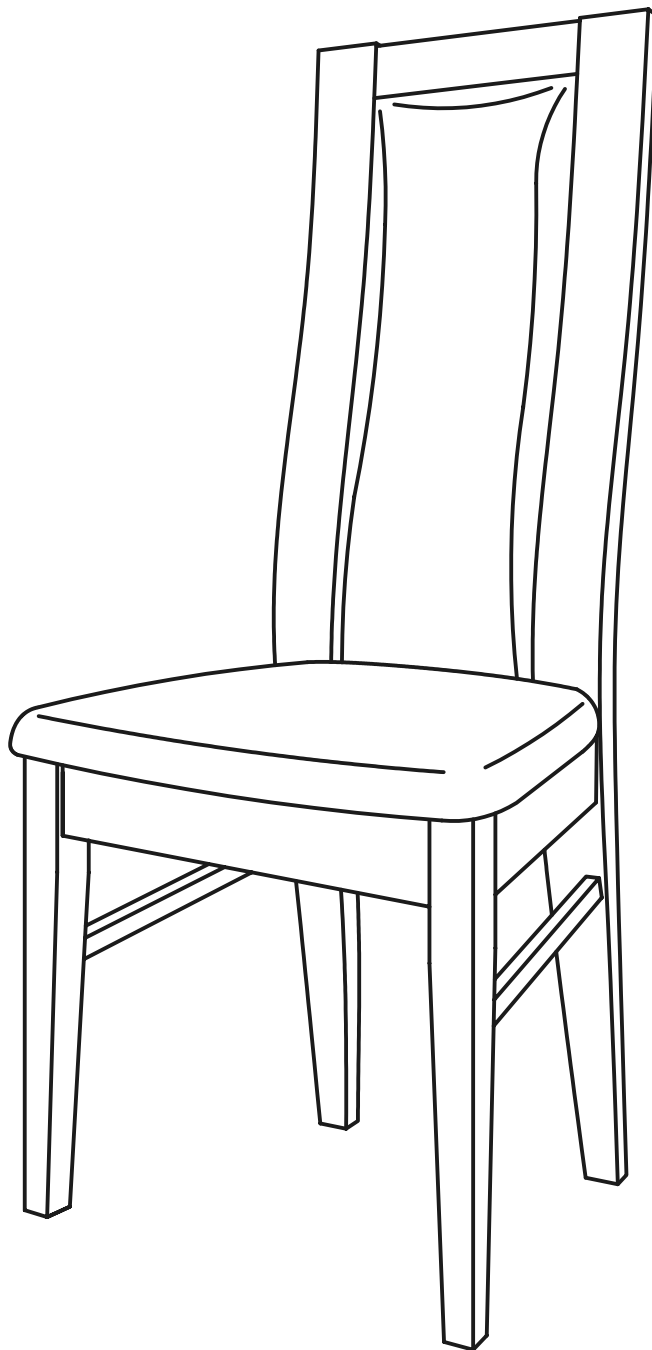
If you need help or have damaged or missing parts, call the **Customer Helpline: 0845 6400800**

Warwick Chair

Assembly Instructions - Please keep for future reference

6038447

6037819



Dimensions

Width - 46.5cm

Depth - 54cm

Height - 99cm

Important - Please read these instructions fully before starting assembly

If you need help or have damaged or missing parts, call the Customer Helpline : 08456 400800



Safety and Care Advice

Important - Please read these instructions fully before starting assembly

- Check you have all the components and tools listed on page 2 and 3.

- Remove all fittings from the plastic bags and separate them into their groups.

- Keep children and animals away from the work area, small parts could choke if swallowed.

- Make sure you have enough space to layout the parts before starting.

- Do not stand or put weight on the product, this could cause damage.

- Assemble the item as close to its final position (in the same room) as possible.

- Assemble on a soft level surface to avoid damaging the unit or your floor.

- Parts of the assembly will be easier with 2 people.



- We do not recommend the use of power drill/drivers **for inserting screws**, as this could damage the unit. Only use hand screwdrivers.

- Dispose of all packaging carefully and responsibly.

- The maximum safe weight of user : 110 Kgs.

Care and maintenance

- Only clean using a damp cloth and mild detergent, do not use bleach or abrasive cleaners.

- From time to time check that there are no loose screws on this unit.

- This product should not be discarded with household waste. Take to your local authority waste disposal centre.

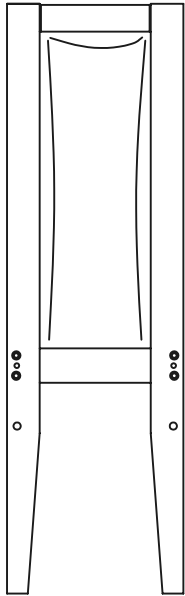
Note: if required the next page can be cut out and used as reference throughout the assembly. Keep this page with these instructions for future reference.

Components - Panels

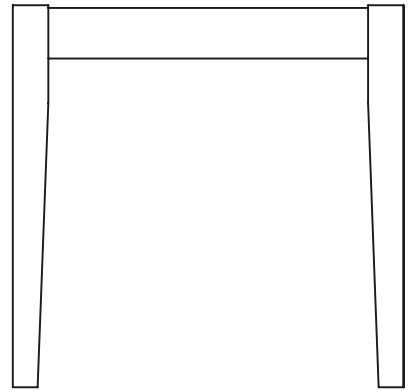
If you have damaged or missing components, call the Customer Helpline: 08456 400800

Please check you have all the panels listed below

NOTE: Components, listed below are required for one chair only.



1 Backrest x 1
(29.6 x 99cm)



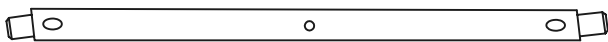
2 Front Leg x 1
(43 x 43cm)



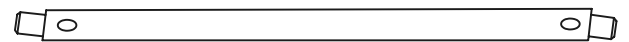
3 Right Side Stretcher x 1
(36 x 5.8cm)



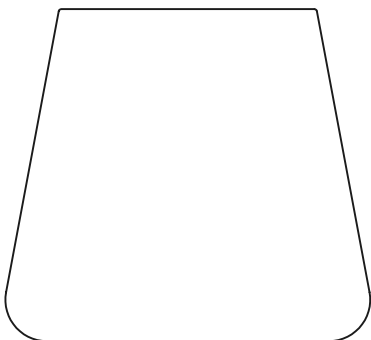
4 Left Side Stretcher x 1
(36 x 5.8cm)



5 Right Side Rail x 1
(39.8 x 2.2cm)



6 Left Side Rail x 1
(39.8 x 2.2cm)





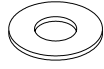

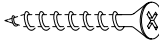
7 Seat Cushion x 1
(46.5 x 40cm)



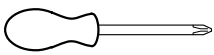
Components - Fittings

Please check you have all the fittings listed below

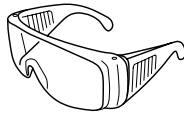
Note: The quantities below are the correct amount to complete the assembly for one chair. In some cases more fittings may be supplied than are required.

<p>A </p> <p>50mm Screw x 6</p>	<p>B </p> <p>Spring Washer M6 x 6</p>	<p>C </p> <p>Flat Washer M6 x 6</p>
<p>D </p> <p>M 4 Allen Key x 1</p>	<p>E </p> <p>32mm Screw x 8</p>	

Tools required



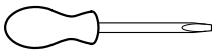
Phillips screwdriver
(medium & large)



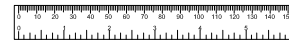
Eye protection
(when using a
hammer or glue)



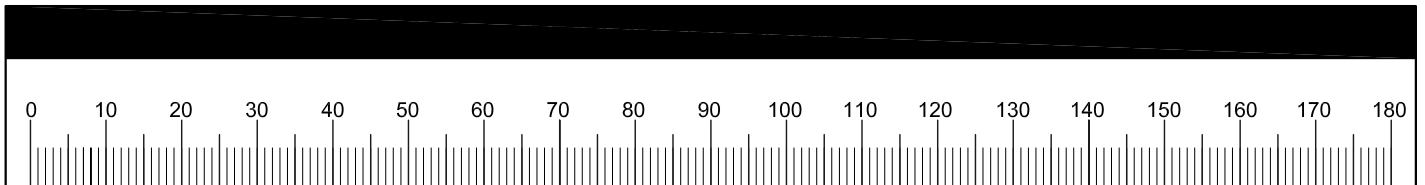
Small
hammer



Flatblade screwdriver
(medium)



Ruler/tape
measure



Assembly Instructions

Step 1

Fitting the Side Stretcher

Note: It would be useful to ask someone to help you at this stage.

a: Insert Screw **A**, Spring washer **B**, Flat washer **C** with Allen key **D** to fix side stretcher **3** **4** onto backrest. **1**

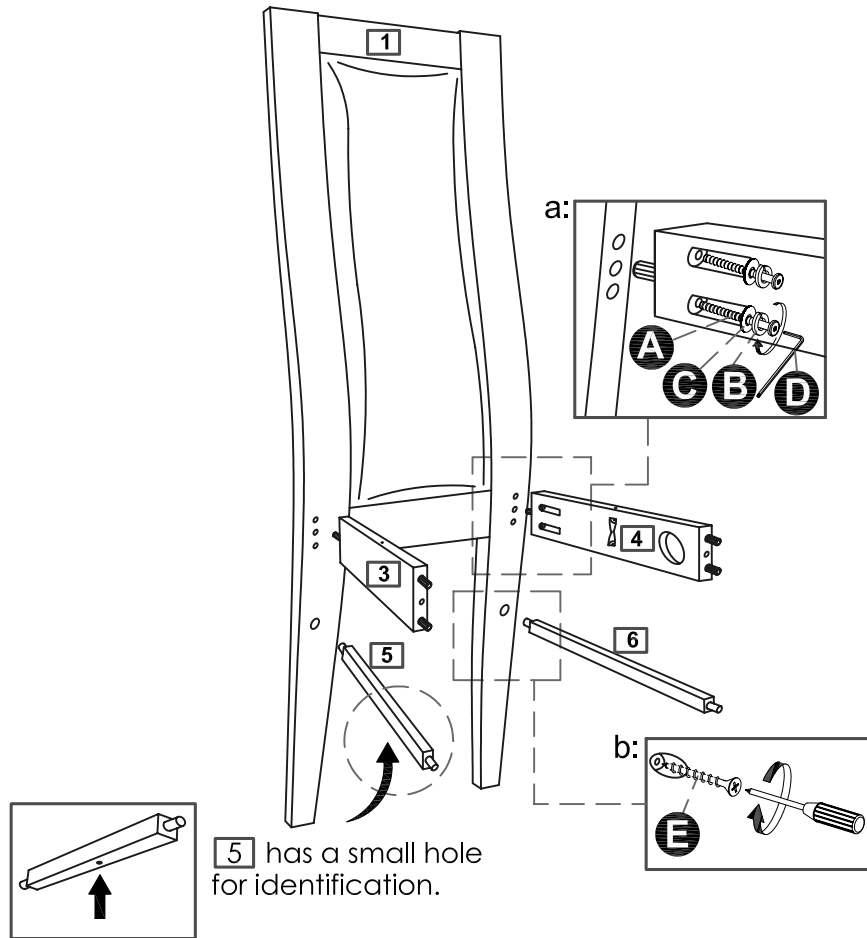
Note: Do not fully tighten all the screws

Fitting the Side Rail

Note: It would be useful to ask someone to help you at this stage.

b: Insert Screw **E** to fix side rail **5** **6** onto back rest **1**

Note: Do not fully tighten all the screws



Step 2

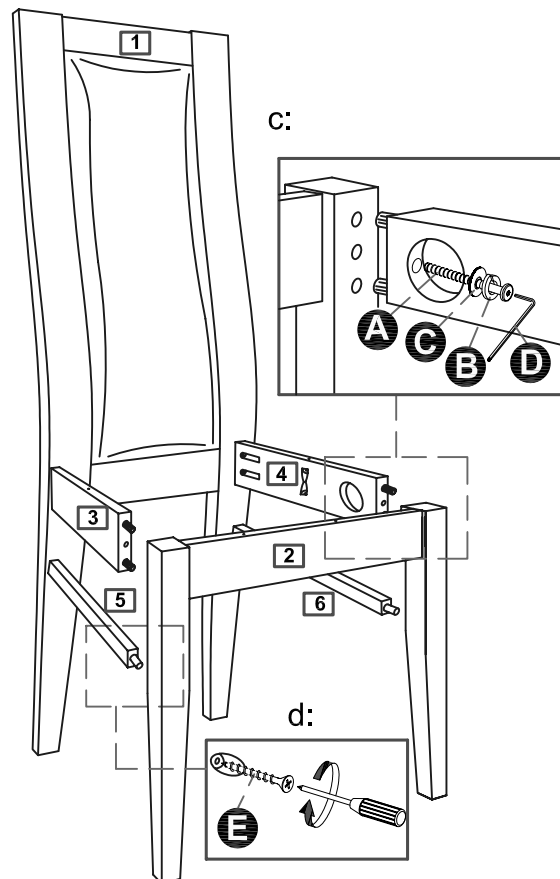
Fitting the Front Leg

Note: It would be useful to ask someone to help you at this stage.

c: Insert Screw **A**, Spring washer **B**, Flat washer **C** with Allen key **D** to fix front leg **2** onto side stretcher **3** **4**

d: Insert Screw **E** to fix side rail **5** **6** onto front leg **2**

Note: Do not fully tighten all the screws



Assembly Instructions

Step 3

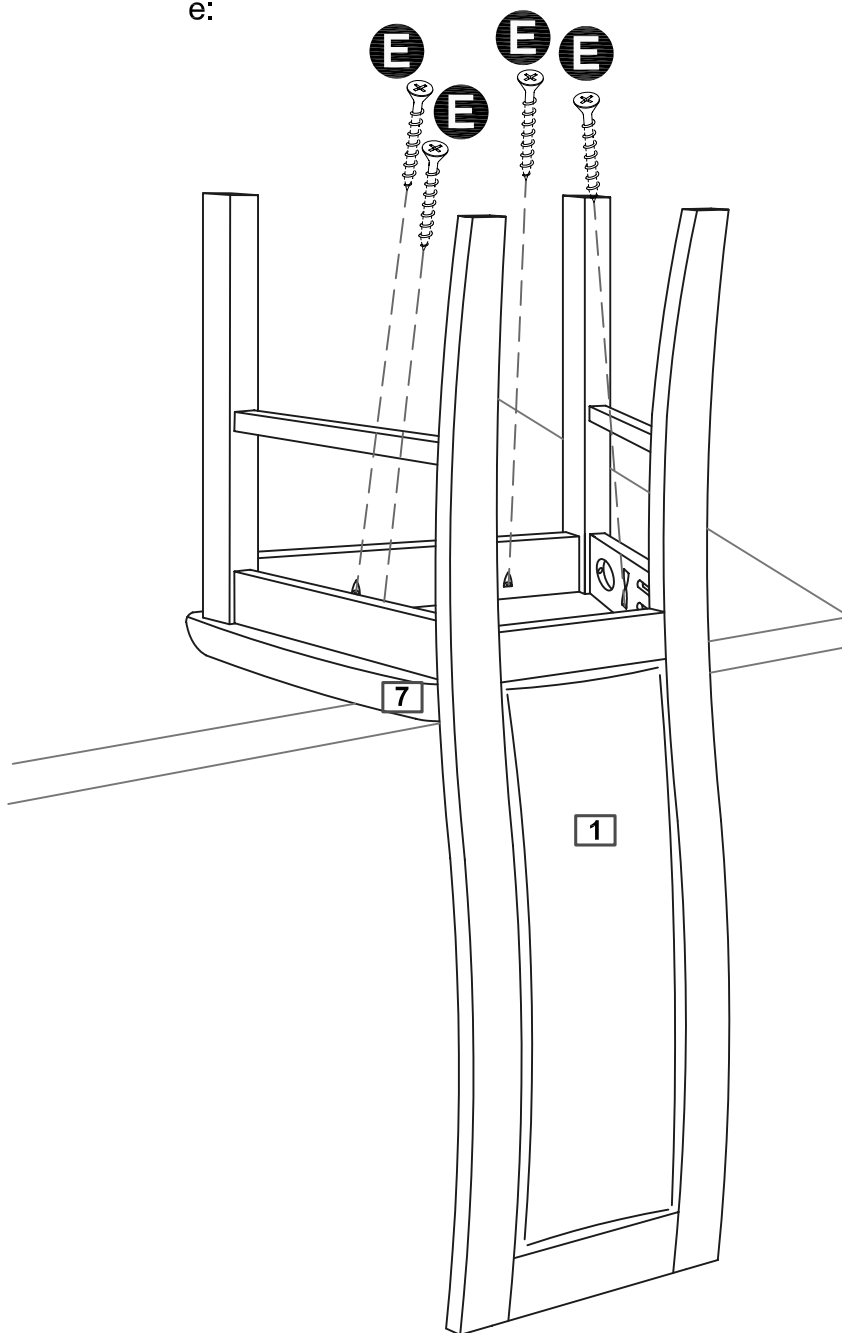
Fitting the Cushion

Note: It would be useful to ask someone to help you at this stage.

e: Use Screw **E** to fix cushion seat **7** onto the unit.

Note: Fully tighten all the screws now.

e:



Assembly Instructions

Step 4

Finishing the unit

Note: It would be useful to ask someone to help you at this stage.

With help, place the unit in the intended position.

Note: Before use always make sure the unit is secure.

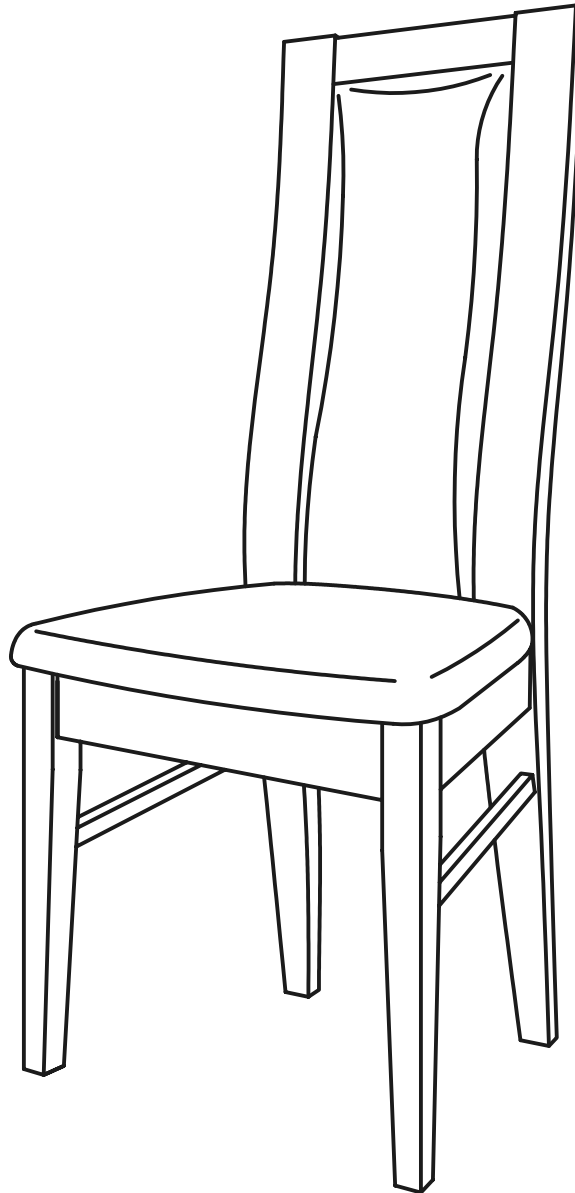
Note: The maximum safe weight of user: 110kg.



Warning:

- Do not stand on this chair. Do not use this chair as a step ladder.
- Use this product only for seating one person at a time.
- Do not use this chair unless all bolts, screws and knobs are firmly secured.
- At least every 4 months, check all bolts, screws and knobs, to be sure they are tight.
- If parts are missing, broken or damaged or worn, stop use of this product until repairs are made & using factory authorized parts.
- Failure to follow these warnings could result in serious injury.

Assembly is complete.



If you need help or have damaged or missing parts, call the **Customer Helpline: 08456 400800**