

# Assembly Instructions

## Step 6

### Fixing seat pad.

**a:** Insert 2 seat brackets **D** into the slots on aprons **2**, **3** as shown.

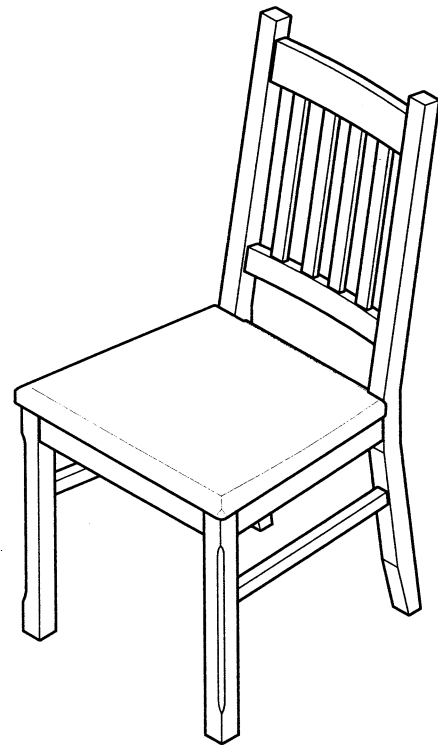
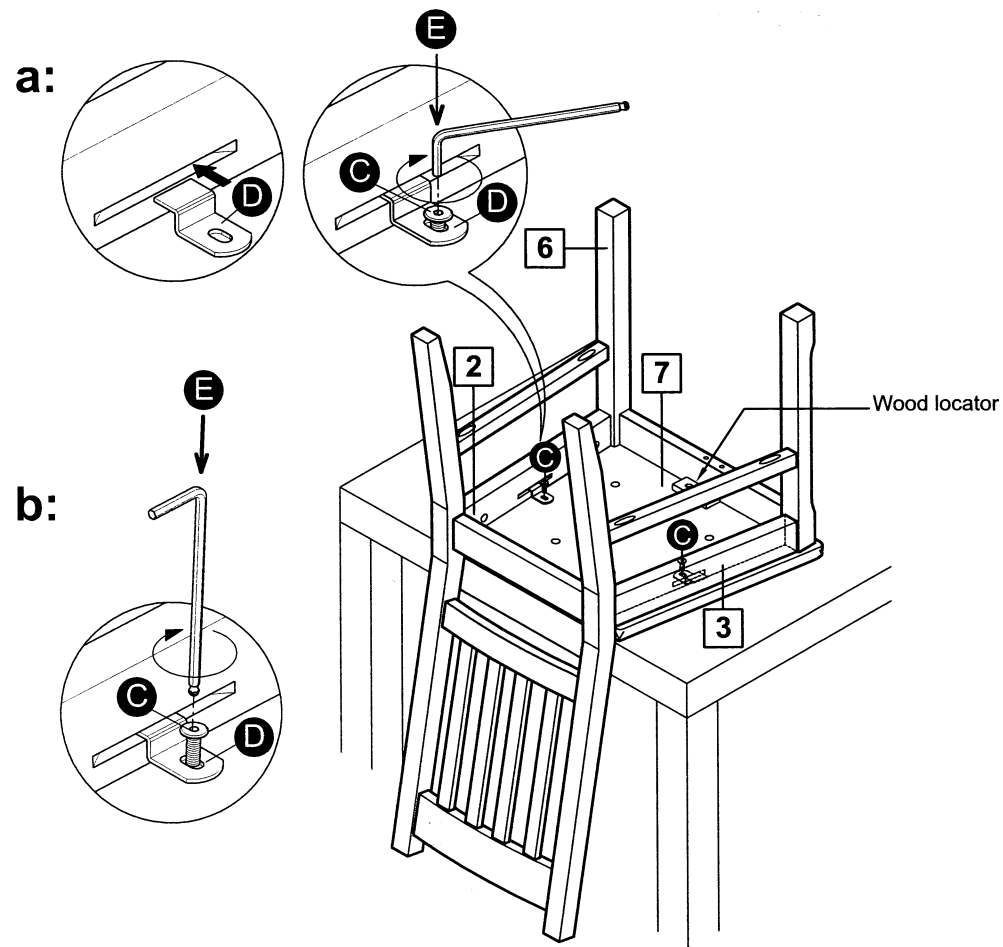
**Note:** Align holes on seat brackets **D** with holes on seat pad **7**.

**b:** Insert 2 hex head bolts **C** into the holes of seat brackets **D** and the holes of mating seat pad **7** as shown.

Use allen key **E** to turn hex head bolts **C** clockwise to fix.

Repeat complete process for second chair.

Assembly is complete.



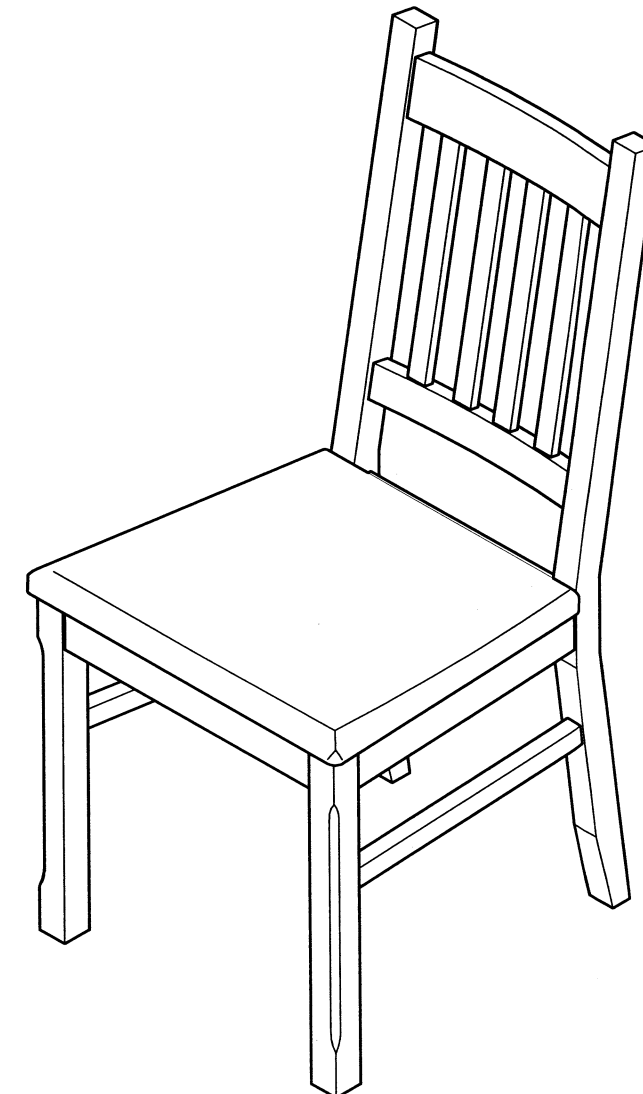
*R*  
12/19/13

*MB*  
18/9/13

# Cucina Walnut - Pair of Chairs

Assembly Instructions - Please keep for future reference

603/0720



### Dimensions

Width - 44cm

Depth - 51.6cm

Height - 92cm

**Important - Please read these instructions fully before starting assembly.**

If you need help or have damaged or missing parts, call the **Customer Helpline: 08456 400800**

If you need help or have damaged or missing parts, call the **Customer Helpline: 08456 400800**

## Safety and Care Advice

**Important** - Please read these instructions fully before starting assembly.

- Check you have all the components and tools listed on page 2.

- Remove all fittings from the plastic bags and separate them into their groups.

- Keep children and animals away from the work area, small parts could choke if swallowed.

- Make sure you have enough space to layout the parts before starting.

- Do not stand or put weight on the product, this could cause damage.

- Assemble the item as close to its final position (in the same room) as possible.

- Assemble on a soft flat / firm surface to avoid damaging the unit or your floor.

- Parts of the assembly will be easier with 2 people.



- We do not recommend the use of power drill/ drivers **for inserting screws**,

as this could damage the unit. Only use hand screwdrivers.

- Dispose of all packaging carefully and responsibly.

- The maximum safe weight of user: 110Kg.

## Care and maintenance

- Only clean using a damp cloth and mild detergent, do not use bleach or abrasive cleaners.

- From time to time check that there are no loose screws on this unit.

- This product should not be discarded with household waste. Take to your local authority waste disposal centre.

## Assembly Instructions

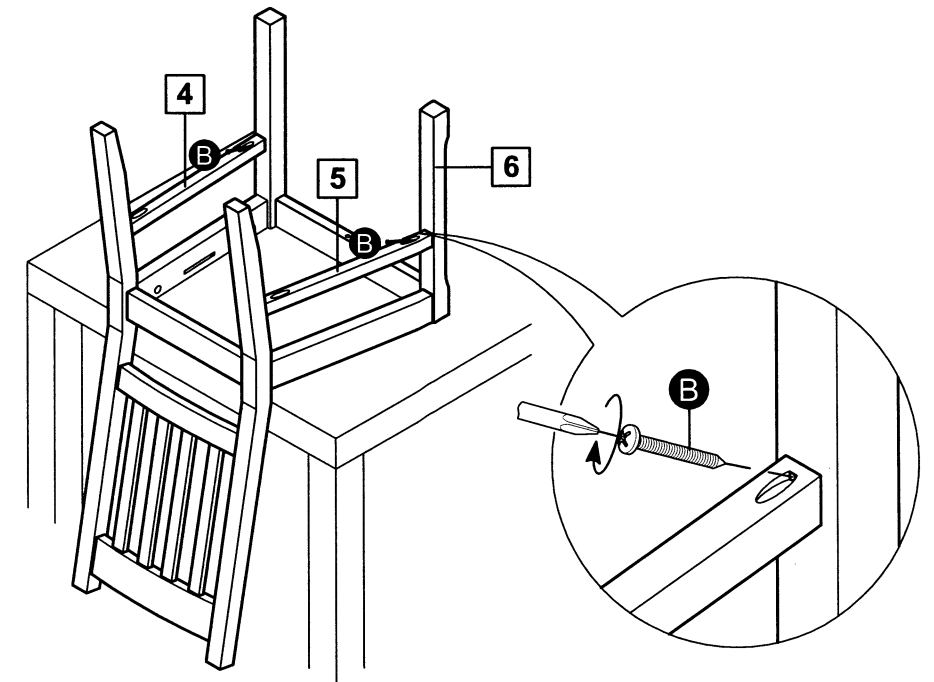
### Step 4

#### Fixing stretchers.

Place chair frame upside down onto a flat, stable, clean and soft surface as shown.

Insert 2 round head screws **B** into pre-drilled holes on stretchers **4**, **5** as shown.

Use a screwdriver to turn round head screws **B** clockwise to fix.



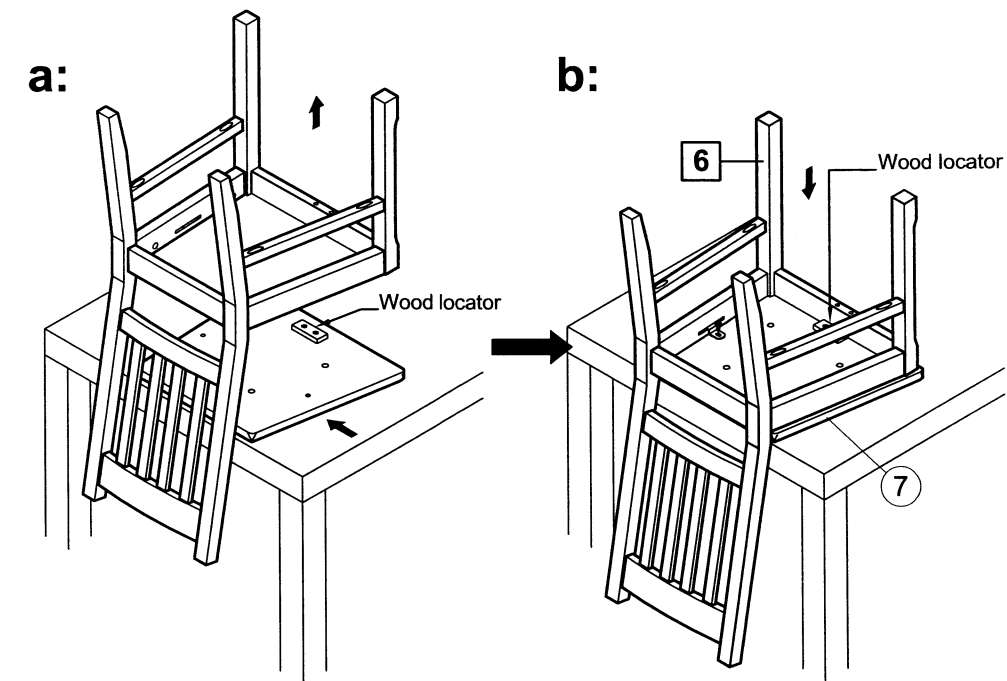
### Step 5

#### Placing seat pad.

**a:** Lift chair frame up and place seat pad **7** below the chair with wooden locator block positioned as shown.

**b:** Lower chair frame onto seat pad **7**.

**Note:** Ensure wooden locator block is inside front leg frame **6** as shown.



# Assembly Instructions

## Step 3

### Attaching front leg frame.

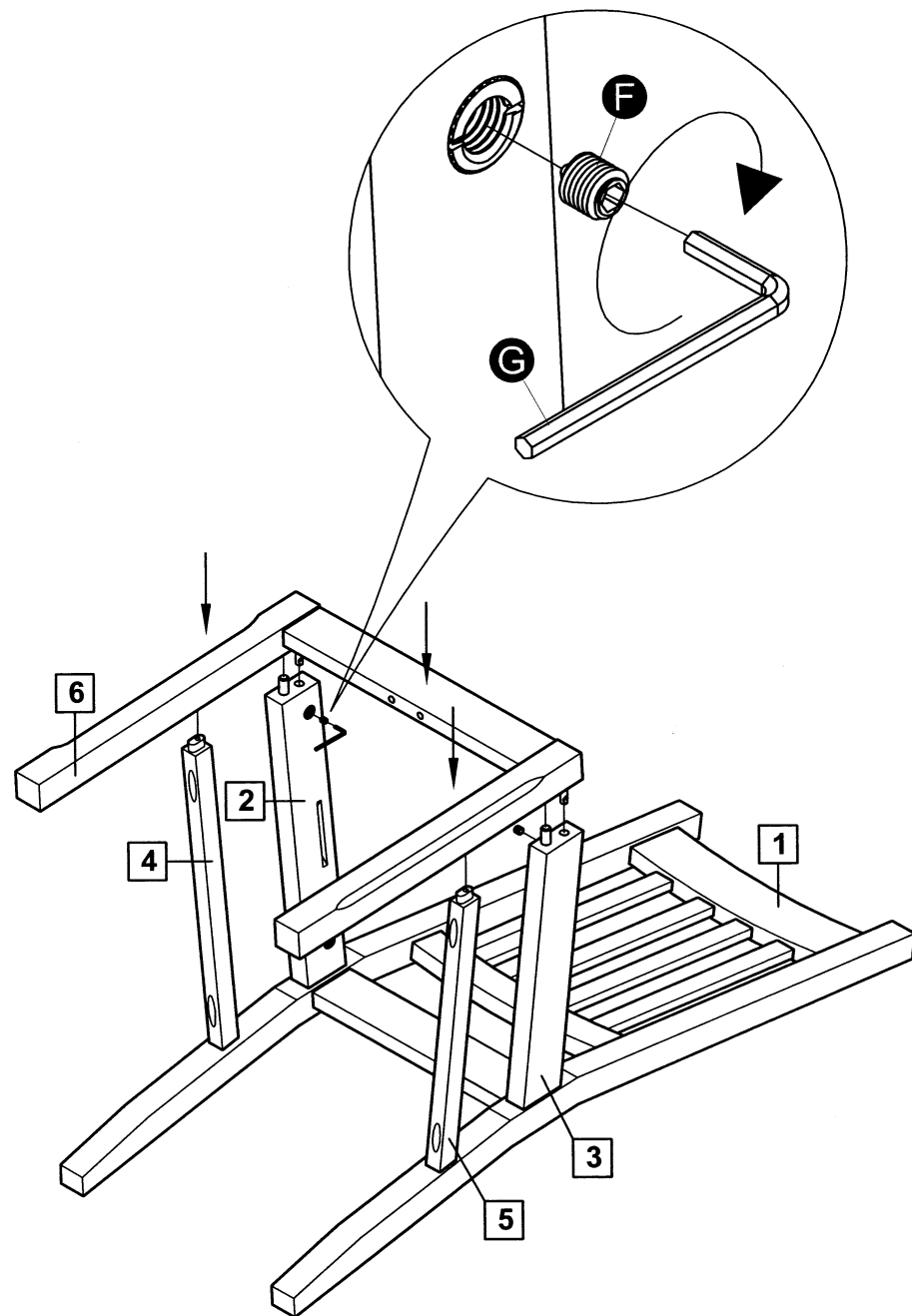
**a:** Attach front leg frame **6** onto left & right aprons **2** and **3** as shown.

**Note:** Ensure steel dowels **A** and wooden dowels are aligned correctly with the mating holes to avoid damage.

Ensure end of aprons **2**, **3** and stretchers **4**, **5** are flush with front leg frame **6**.

**b:** Secure front leg frame **6** to left & right aprons **2** and **3** using 2 grub screws **F** as shown.

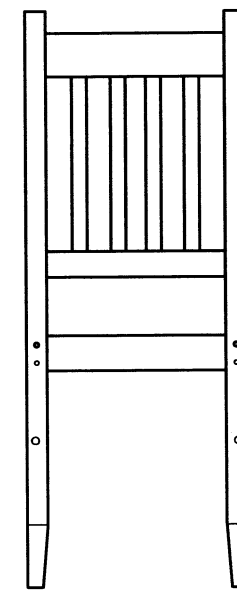
Use large allen key **G** to turn fittings **F** clockwise to fix.



# Components - Panels

If you have damaged or missing components, call the Customer Helpline: 08456 400800

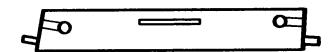
Please check you have all the panels listed below.



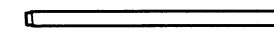
**1** Back leg frame x 2  
(34.68 x 92cm)



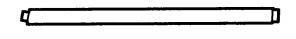
**2** Left apron x 2  
(37.12 x 5.5cm)



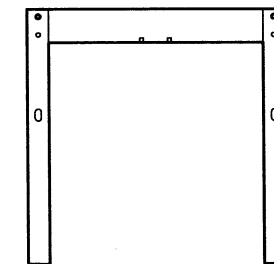
**3** Right apron x 2  
(37.12 x 5.5cm)



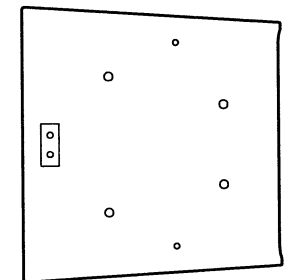
**4** Left stretcher x 2  
(38.1 x 2.4cm)



**5** Right stretcher x 2  
(38.1 x 2.4cm)



**6** Front leg frame x 2  
(42 x 42cm)



**7** Seat pad x 2  
(41.5 x 44.2cm)

# Components - Fittings

Please check you have all the fittings listed below.

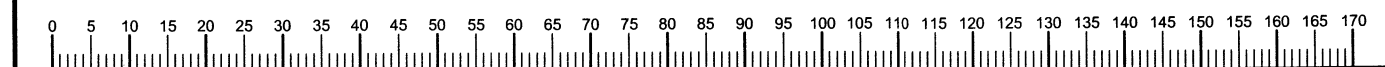
**Note:** The quantities below are the correct amount to complete the assembly. In some cases more fittings may be supplied than are required.

<b>A</b> O'ring 48.5mm Steel dowel x 8	<b>B</b> 50mm Round head screw x 8	<b>C</b> 15mm Hex head bolt x 4	<b>D</b> Seat bracket x 4
<b>E</b> Small allen key x 1	<b>F</b> Grub screw x 8	<b>G</b> Large allen key x 1	

## Tools required

Phillips screwdriver  
(medium & large)

Ruler - Use this ruler to help correctly identify the screws



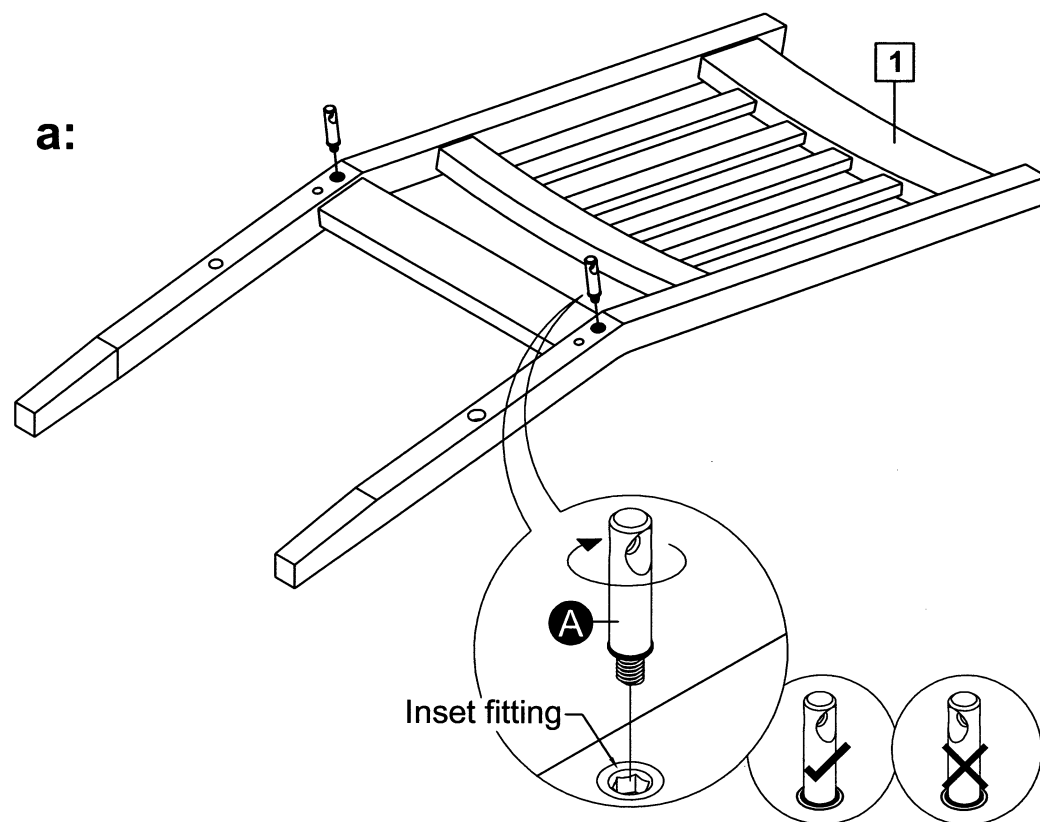
# Assembly Instructions

## Step 1

### Fitting dowels.

**a:** Screw 2 steel dowels **A** into back leg frame **1** by screwing fittings **A** into the inset fittings that are located on back leg frame **1** as shown.

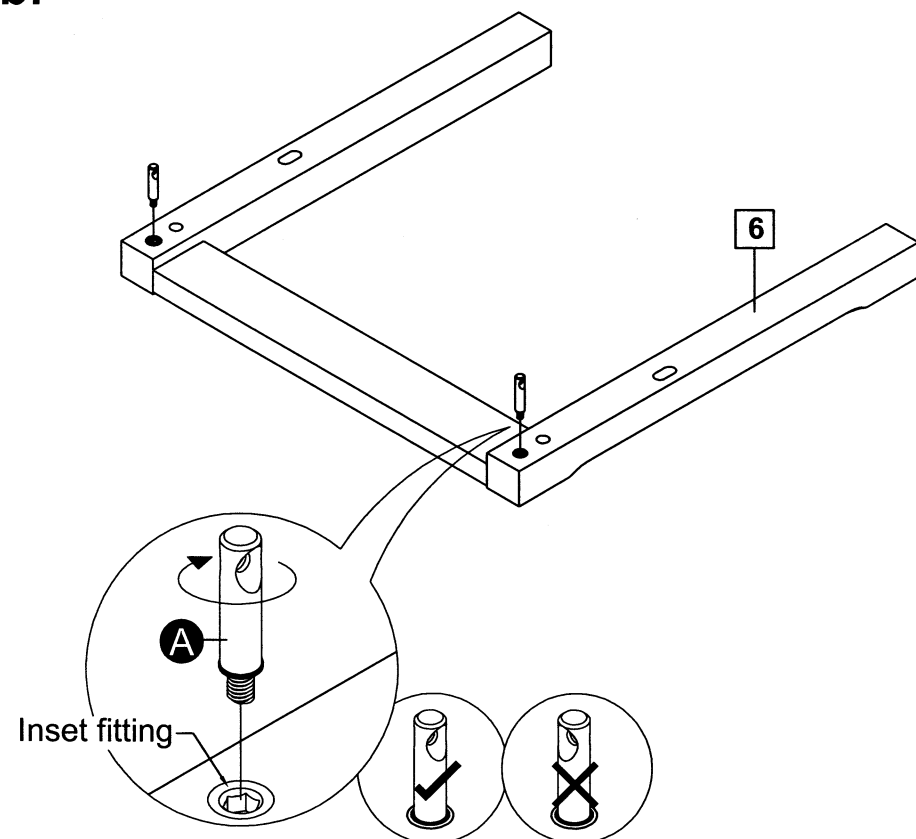
**Note:** Ensure the direction of the holes on fittings **A** are facing correctly as per diagram.



**b:**

**b:** Screw 2 steel dowels **A** into front leg frame **6** by screwing fittings **A** into the inset fittings that are located on front leg frame **6** as shown.

**Note:** Ensure the direction of the holes on fittings **A** are facing correctly as per diagram.



# Assembly Instructions

## Step 2

### Attaching aprons and stretchers

Attach left & right aprons **2** and **3** onto back leg frame **1** as shown.

**Note:** Ensure steel dowels **A** and wooden dowels are aligned correctly with the mating holes to avoid damage.

Ensure end of aprons **2**, **3** are flush with back leg frame **1**.

Secure aprons **2** and **3** to back leg frame **1** using 2 grub screws **F** as shown.

Use large allen key **G** to turn fittings **F** clockwise to fix.

**b:** Position left and right stretchers **4**, **5** onto back leg frame **1** as shown.

Ensure end of stretchers are flush with back frame.

Insert 2 round head screws **B** into stretchers **4**, **5** as shown.

Use a screwdriver to turn round head screws **B** clockwise to fix.

**Note:** Back leg frame **1** has different sized holes for stretchers **4** & **5**.

