

**HANA**

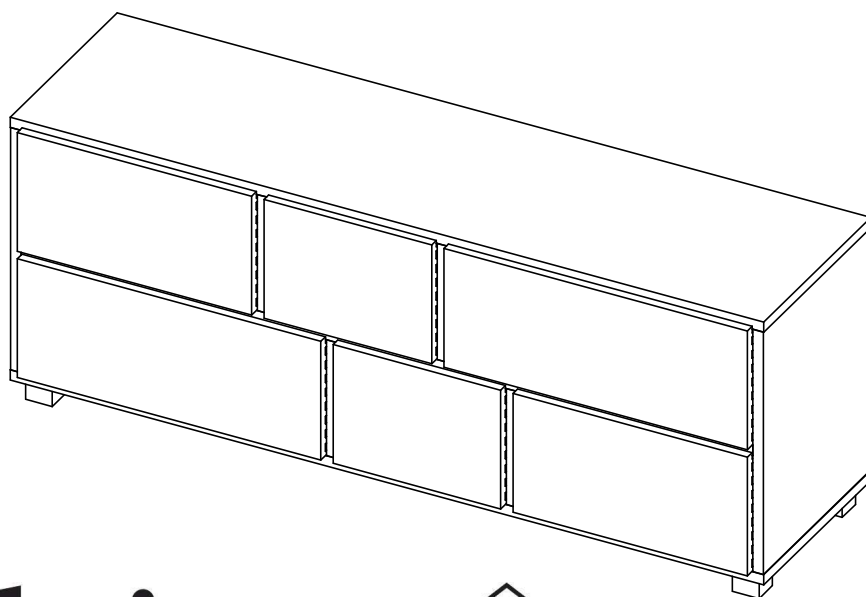
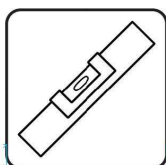
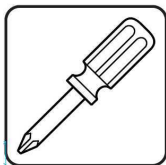
**LOW CHEST OF  
DRAWERS**

habitat 

135x38x53 cm

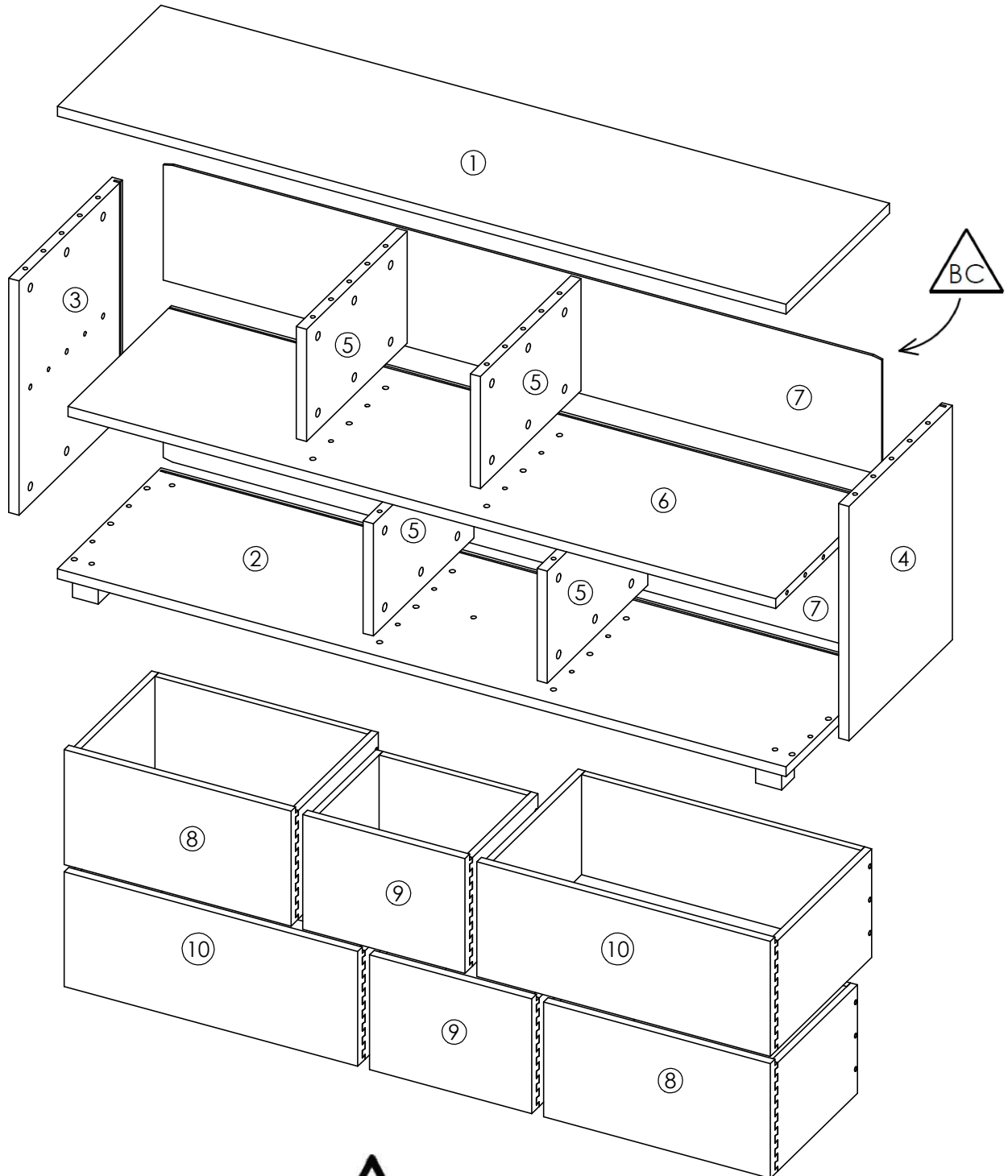
193750


HANA-LC-SS13-A



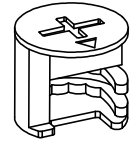
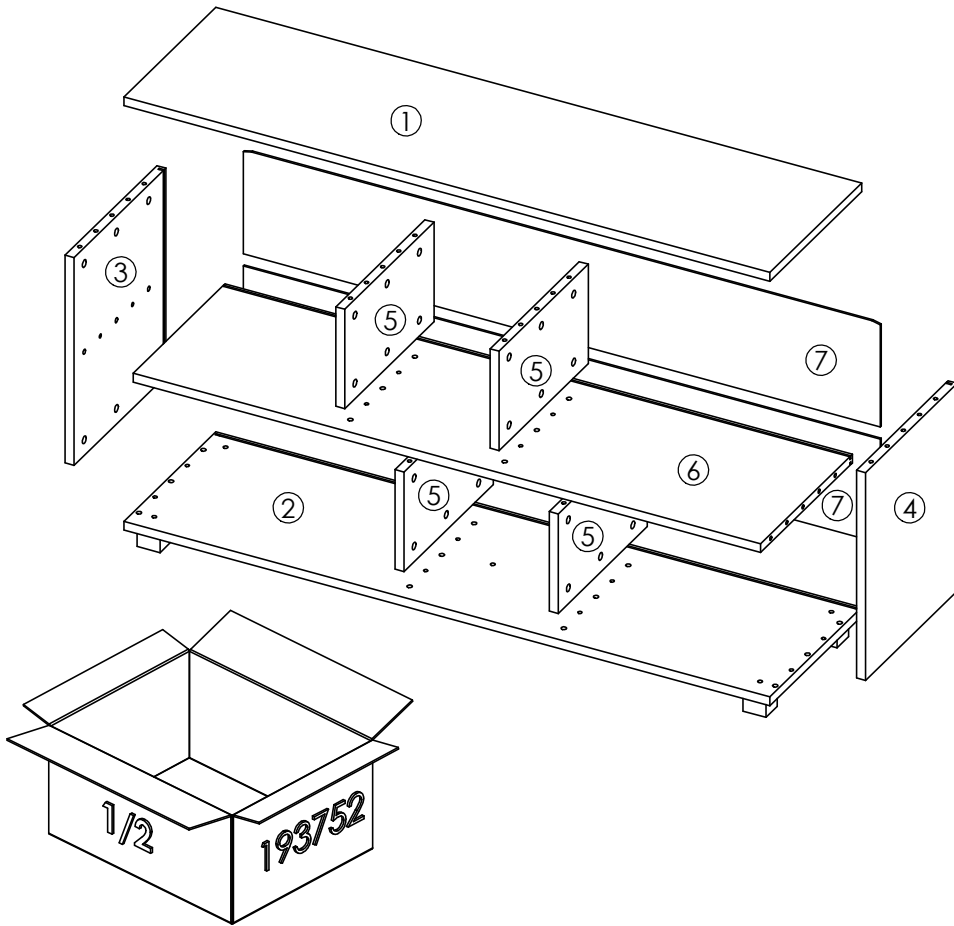
habitat 

# Components

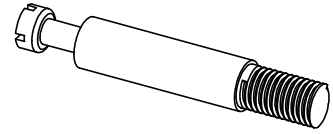


 Retain batch code label.  
Label attached on the back.

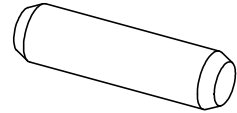
# Components



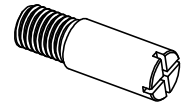
(A) X42



(B) X42

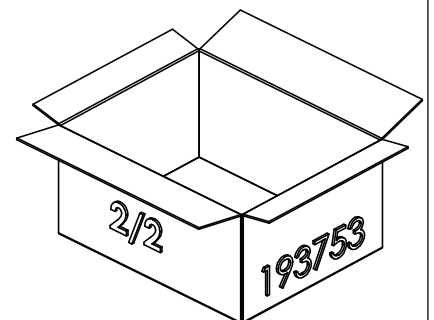
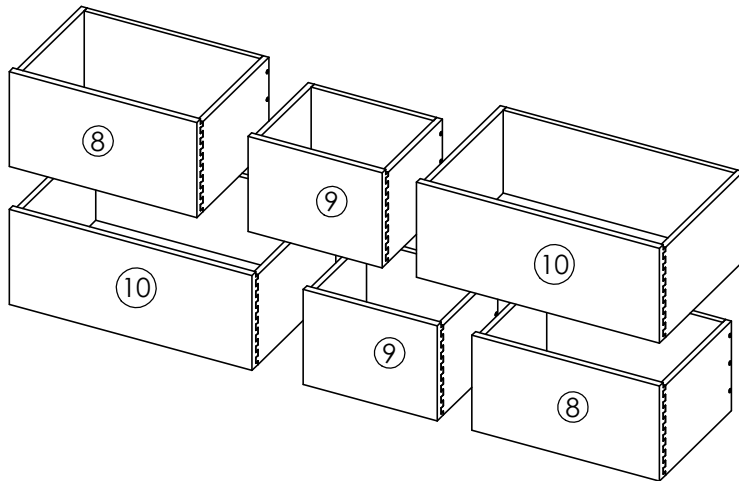


(C) X28

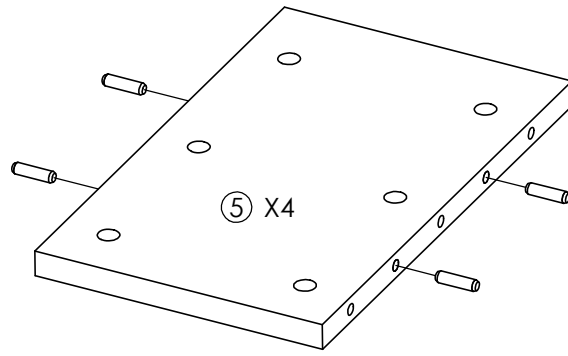


(D) X6

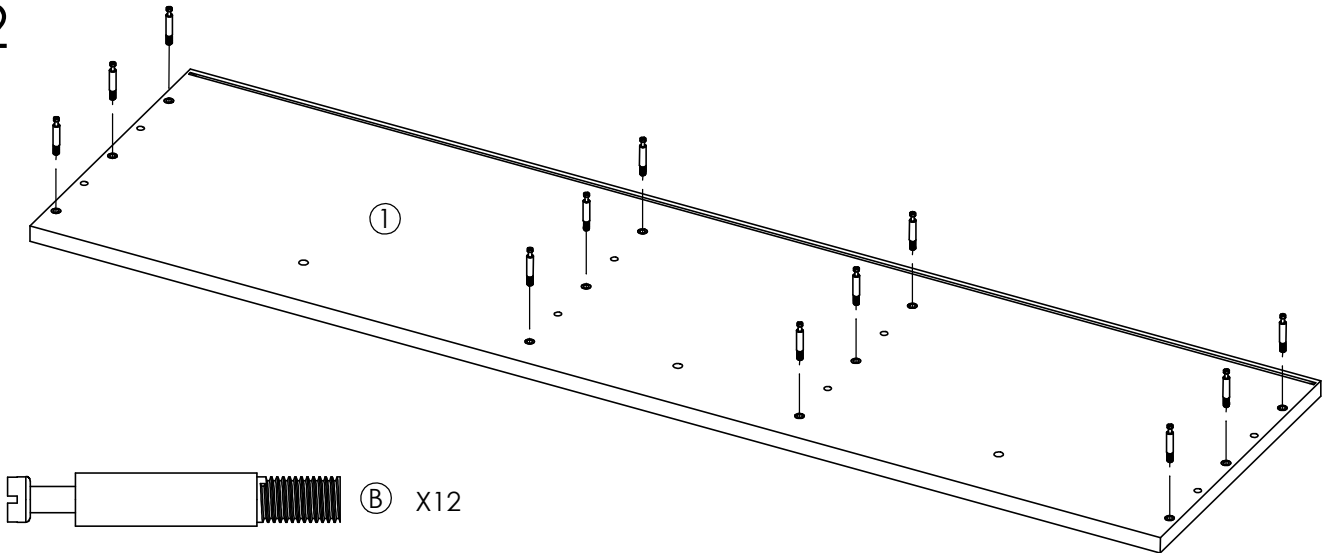
# Components



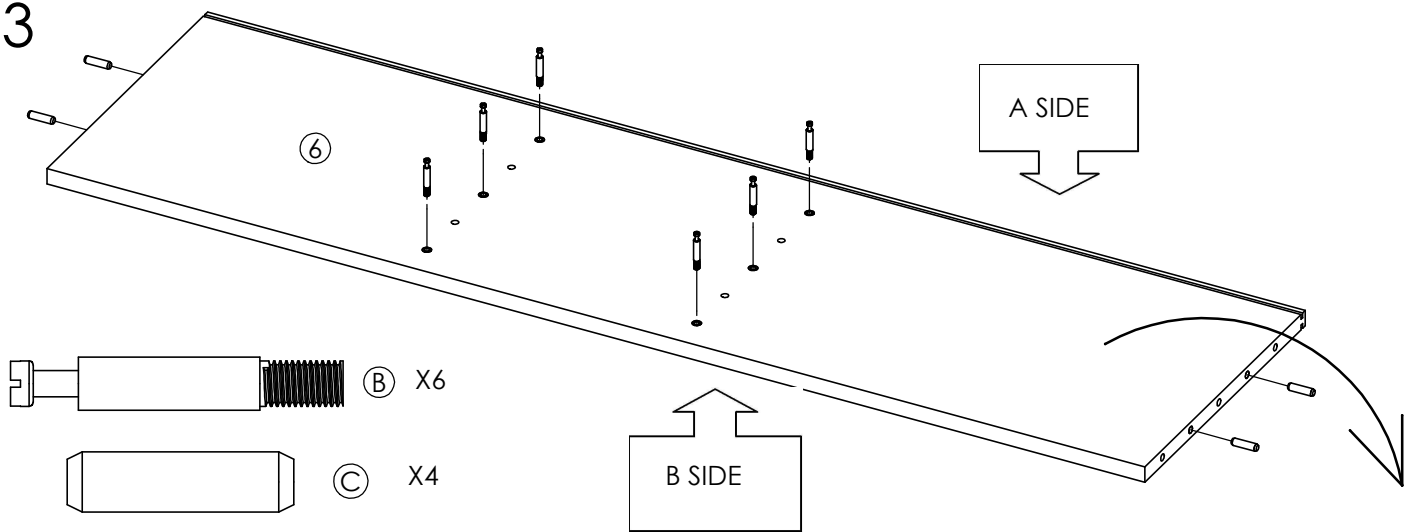
1



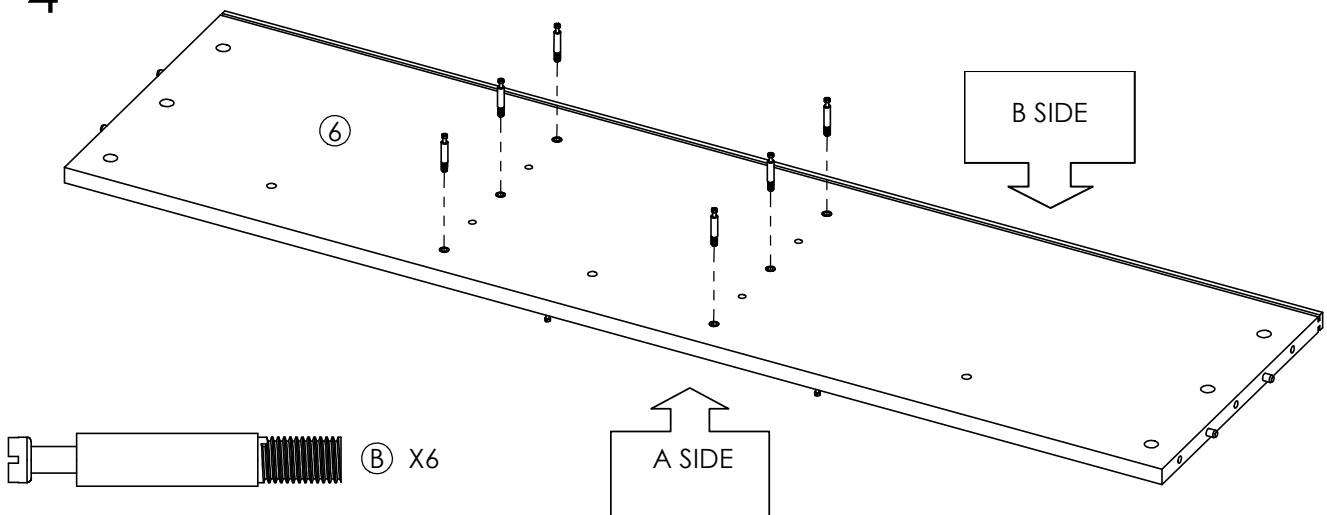
2



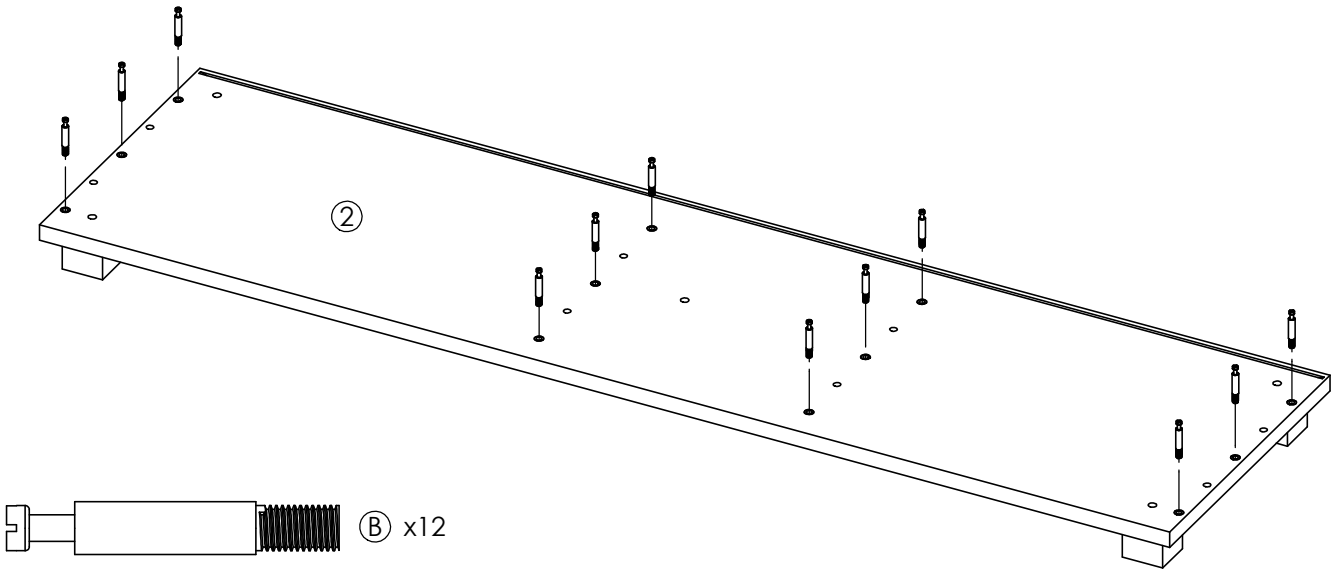
3



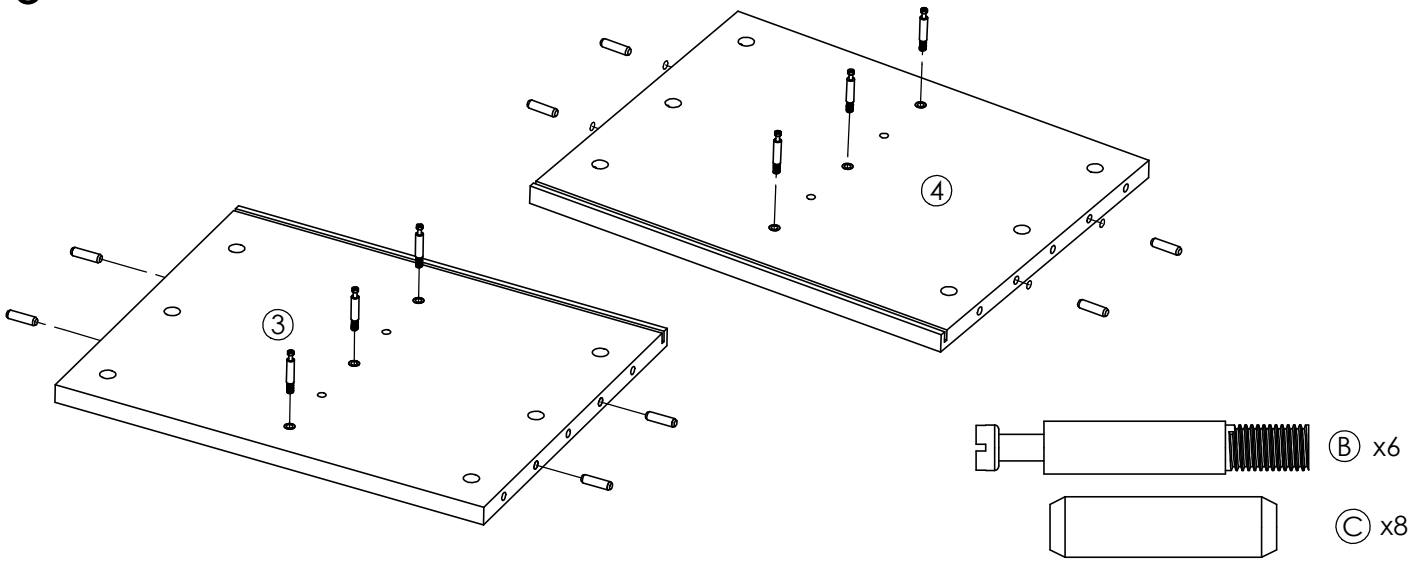
4



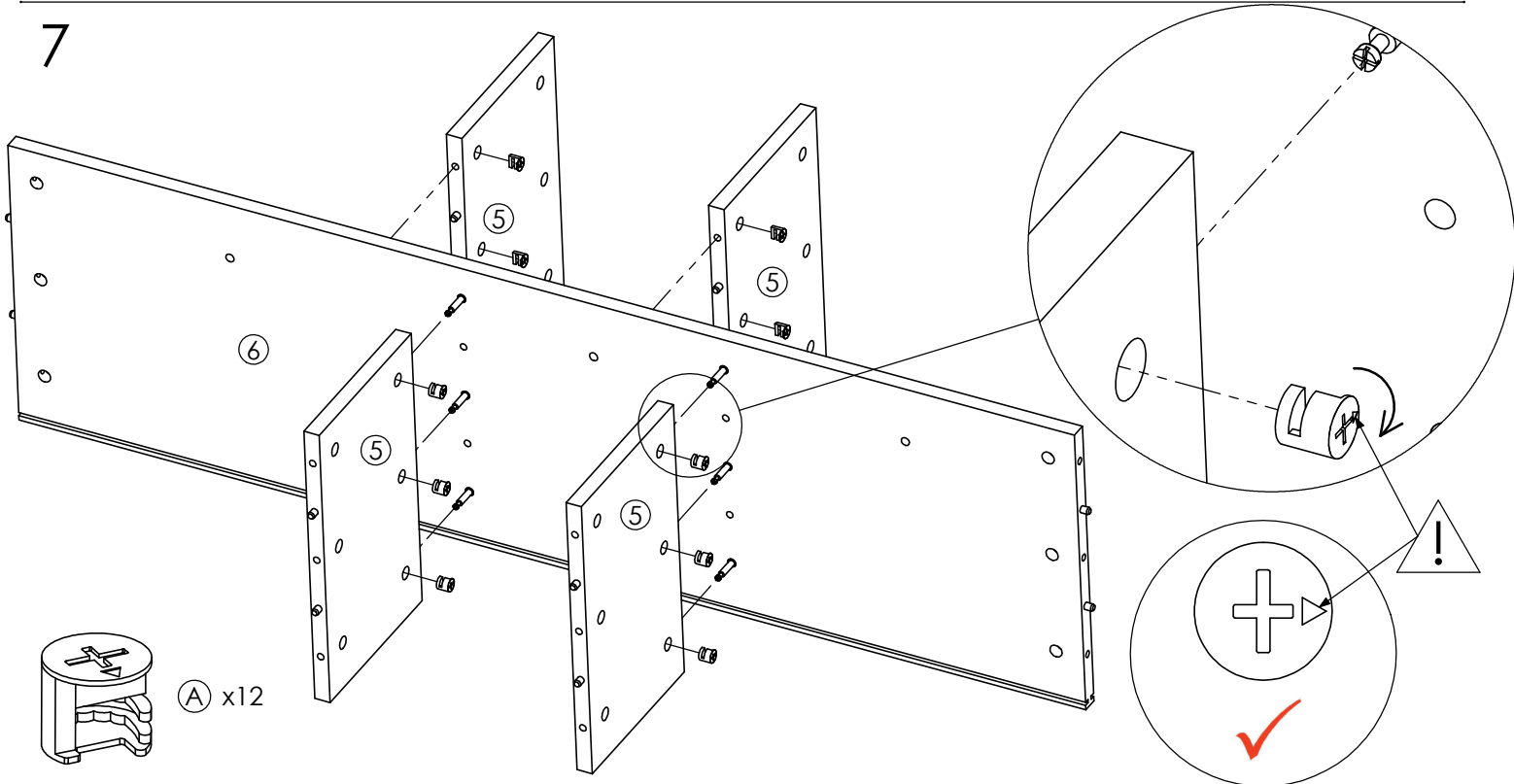
5



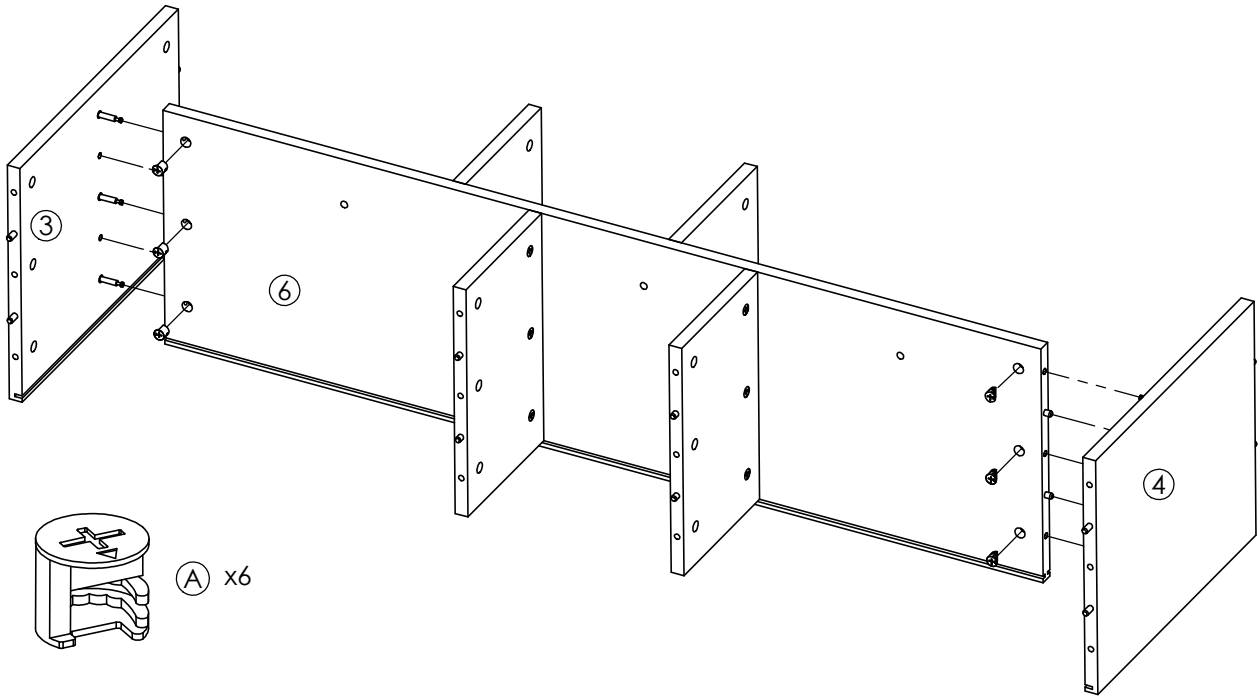
6



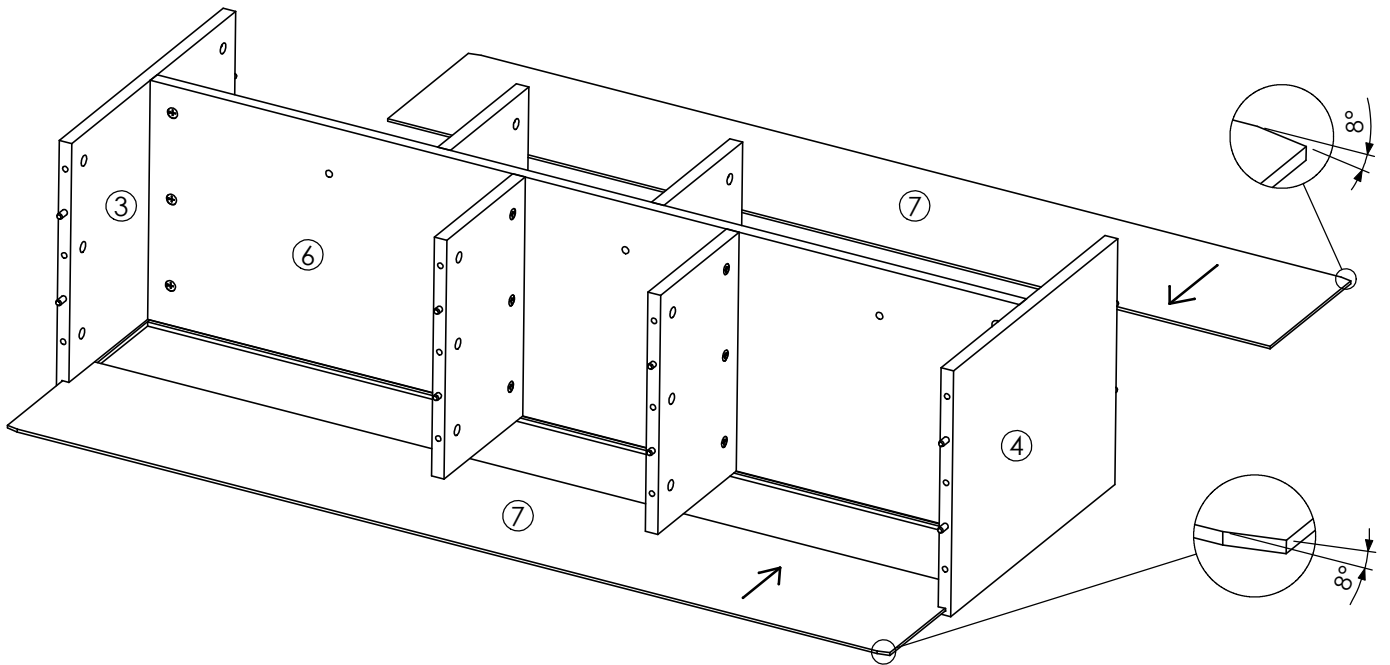
7



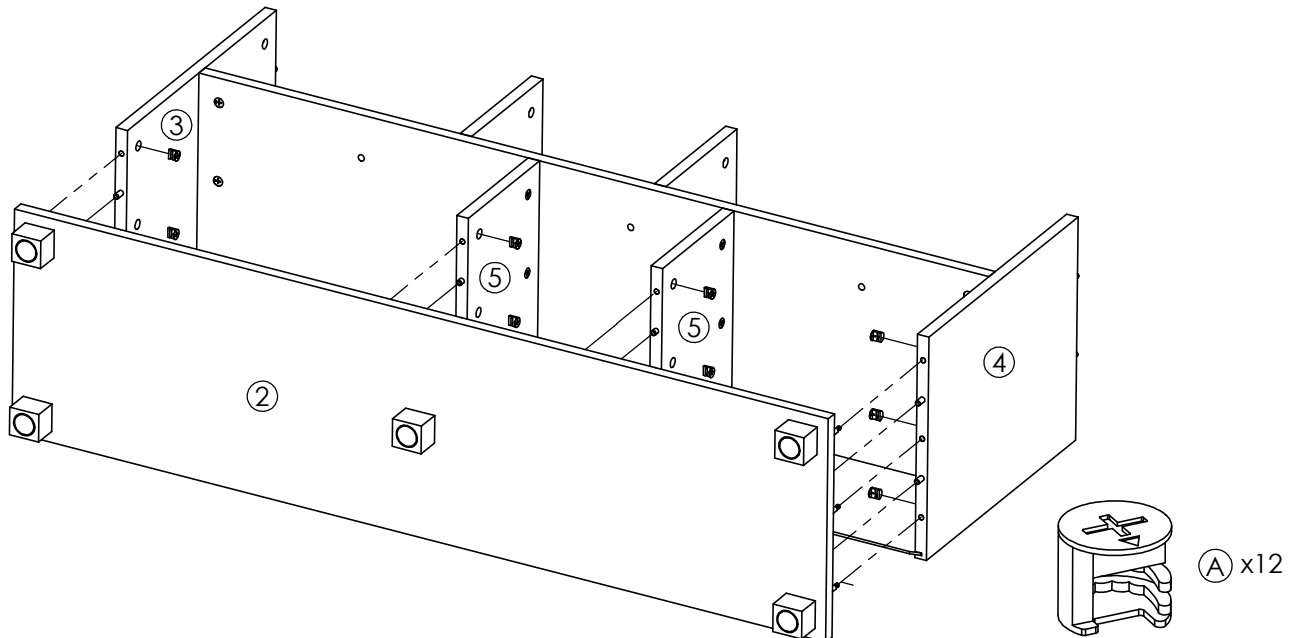
8



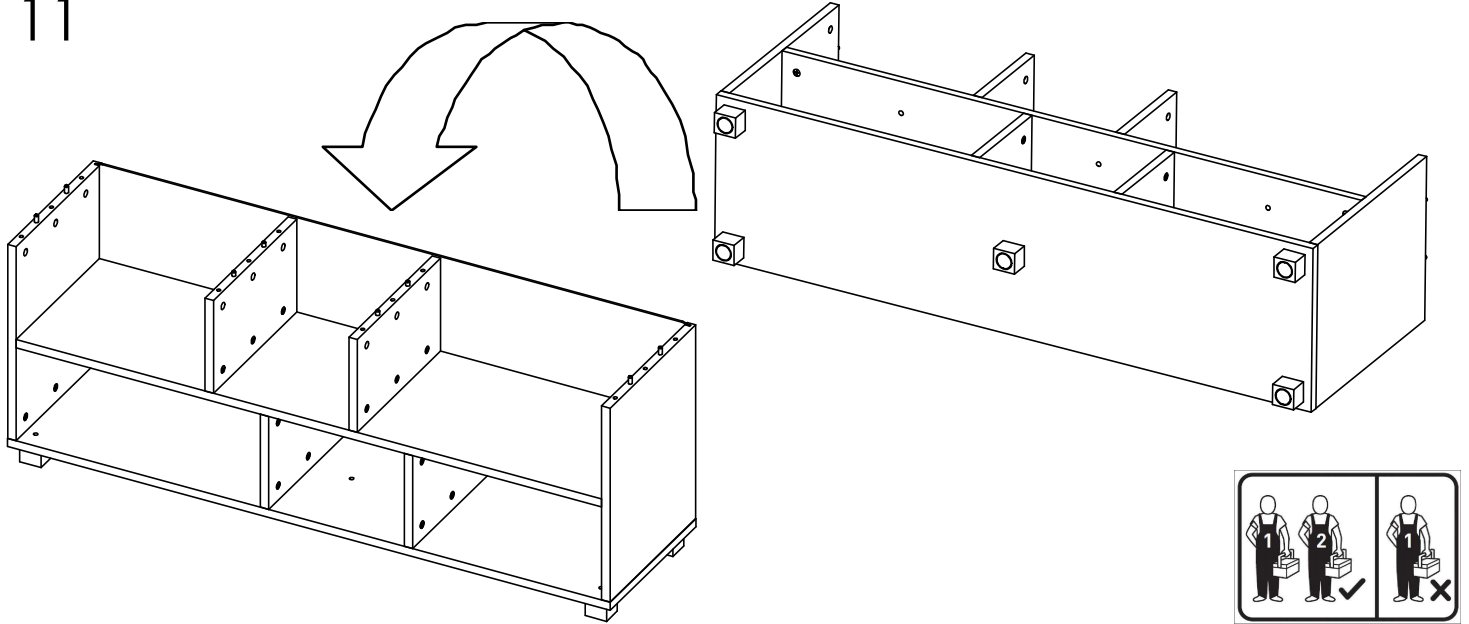
9



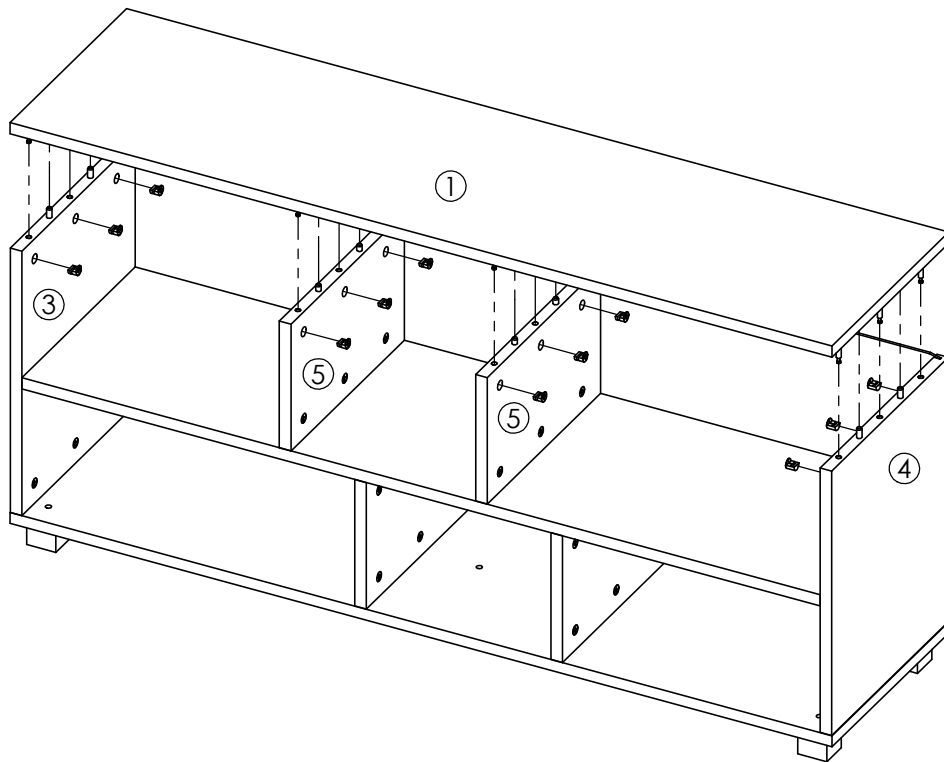
10



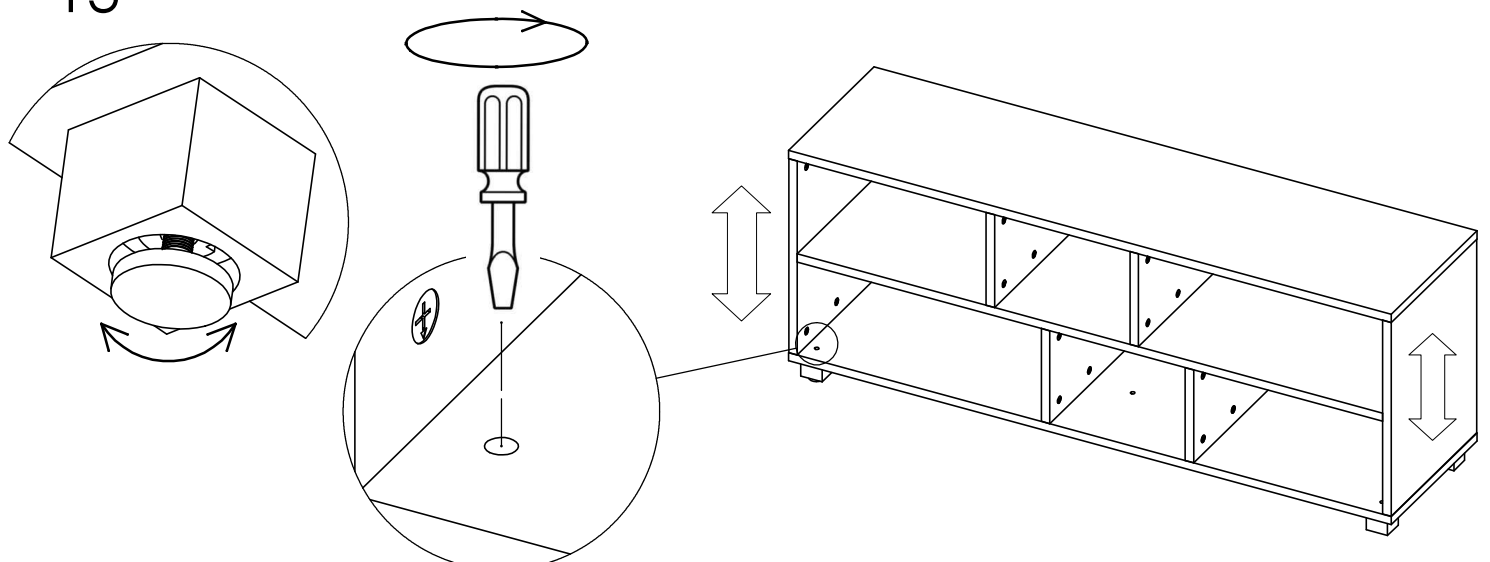
11

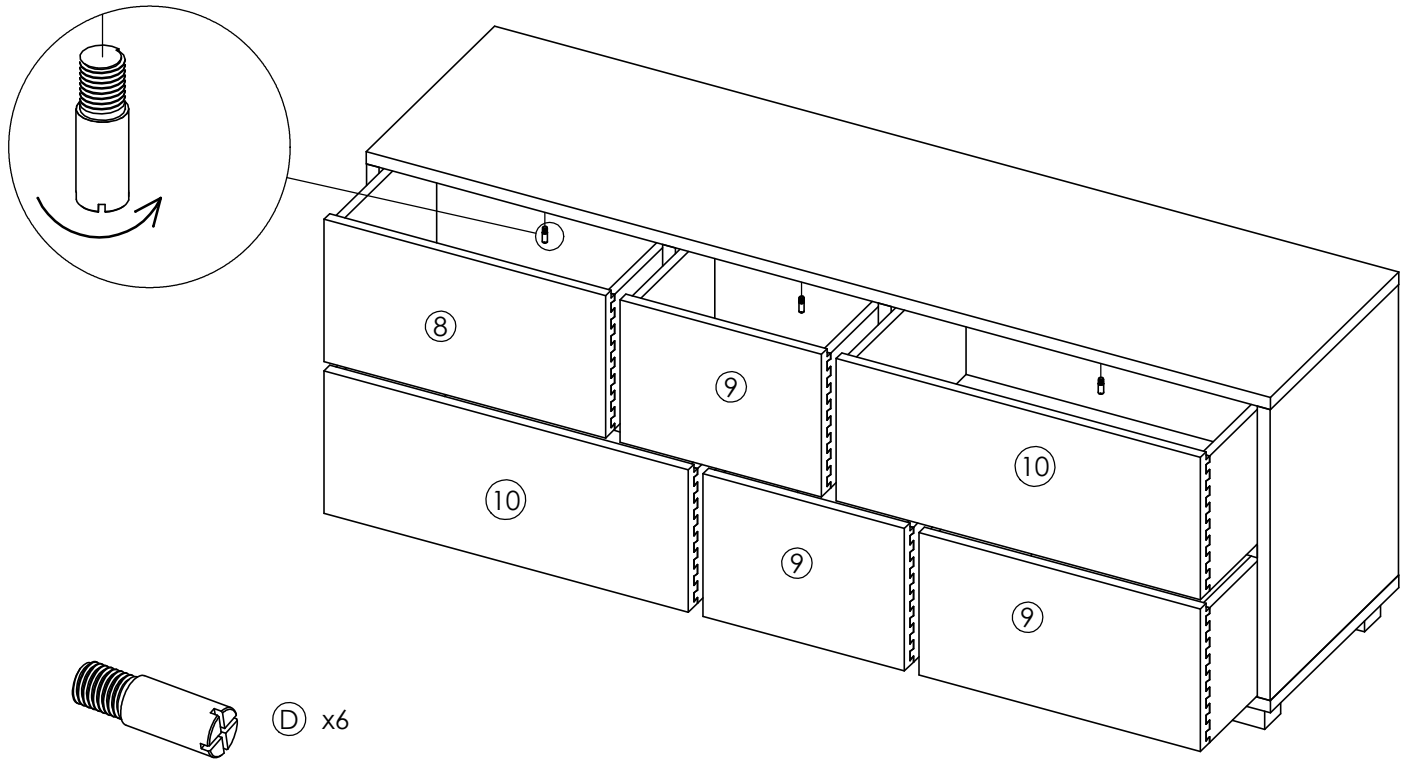


12



13





## HANA FURNITURE

Habitat's furniture is craftsman made with great care and attention to produce distinctive pieces that will bring pleasure for years to come. Each item of furniture is hand finished and uses traditional cabinet making techniques to ensure strength and longevity.

The Hana range is handmade predominantly from kiln dried solid oak and oak veneers, from managed European forests. All carcasses are oak veneer for structural integrity and stability.

- The surface of Hana is oiled to enhance the natural colour and highlight the beautiful features of oak such as grain, knots, shading and medullary rays. The natural variations in grain and wood colour ensure every piece is different and unique.

With careful use these finely produced pieces will give many years of satisfaction.

## FEATURES OF NATURAL WOOD

Wood is a beautiful natural material. It is important to understand its unique properties; these properties should not be mistaken for flaws.

### Wood Shading and Grain

Each piece will have a slightly different grain pattern. Variation in colour, shading and grain between different products and within the same product can occur; this is a normal feature of all natural wood furniture.



**Knots**

Knots are a natural property of all real wood furniture; they do not affect performance, and add interest to each piece.

**Medullary Rays**

These markings are created where wood is cut across the grain producing interesting features such as growth rings and flecks.

**Expansion**

All timber will display movement from season to season because of changes in atmospheric temperature and humidity.

**LEVELLING UNITS**

It is essential that your furniture is positioned on a level surface to ensure doors hang correctly and open smoothly.

- Products with opening doors have adjustable feet that may be screwed in or out to square the unit if the floor is not level.
- Please follow the instructions included with your furniture if adjustment is necessary.
- If doors fail to operate smoothly, or the product is moved, adjustment and levelling should be rechecked.

**SUNLIGHT AND HEAT**

- Avoid exposing your furniture to excessive heat e.g. by placing it in front of a radiator, as this can cause cracking. A minimum 30cm clearance from heat sources is advised.
  - Direct sunlight will cause the colour of real wood to change, this will be more readily apparent if the furniture is placed under a window. Use in hot and sunny conservatories is not recommended.
  - Leaving items such as vases or ornaments in one place on a piece of furniture in sunlight may leave a mark when it is removed. Such marks should blend in with time.
  - Never place hot dishes directly on to wooden or painted surfaces, we recommend you use tablemats.
- Prolonged use of hot electrical equipment, such as a television, on top of furniture may also cause scorching.
- The dark rubber feet used on electrical and other equipment occasionally contain chemicals that can leave a permanent mark on furniture surfaces, care should be taken.

**MAINTENANCE AND CARE INSTRUCTIONS**

To prolong the life of your Hana furniture we advise the following:

**Cleaning**

- To protect oiled furniture from spills, nourish the wood and to keep it looking great, periodic oiling is required. If this maintenance is not carried out, the wood may become dry, lose its depth of colour and become susceptible to staining and water marking.
- To oil, apply a thin coat of Danish Oil to the outside of the furniture with a clean lint free cloth periodically or whenever the wood lightens,

feels dry to the touch or displays lighter dry patches. Take care not to over oil the product as this may result in a shinier finish.

- Linseed oil can be purchased at most DIY stores. Do not use oils sold for cooking.

- On receipt, the furniture would have been wrapped since it was manufactured and may require light oiling immediately on delivery, especially if it appears light or dry due to the variable absorbency of wood and cardboard that it was wrapped in.

- If you oil your furniture on delivery, it may take up to 24 hours for the protective oil to completely dry so care is required.

- We recommend that drawers are left open and empty for 24 hours to allow any residual odour from the oil to dissipate and ensure it is dry.

- Spills on the furniture must be removed immediately using a cloth to minimise staining. Product that is not correctly oiled will be more susceptible to staining.

- Light stains may be removed by gently rubbing in the direction of the grain with 400 grade (very fine) sandpaper and re-oiling as directed above.

### **Care**

- Take care when moving furniture, dragging pieces across the floor will cause damage to the joints. We recommend that you protect delicate flooring from potential marking by feet or legs.

- Dropping furniture onto corners or feet will cause damage.

- Take care to prevent sharp objects e.g. toys, buckles and heels from coming into contact with your furniture, and avoid contact with chemicals e.g. cosmetics or hair products which may permanently mark the surface.

- If your furniture becomes stained, scratched chipped or suffers other damage we recommend professional help is sought to restore it.

- If you have relevant insurance you may wish to contact them for advice.

Following the guidelines above will ensure product performance is maintained. Habitat is not responsible for defects caused by the misuse of your product.

### **GENERAL WARNINGS**

Never drag furniture when moving it, always lift it.

Periodically check all fixings to ensure none have come loose and re-tighten where necessary.

Please take care when handling or moving the furniture as careless handling may cause damage or injury.

Furniture can be dangerous if incorrectly installed. Assembly should be carried out by a competent person. No liability will be accepted for damage or injury caused by incorrectly installed or assembled furniture.

PLEASE KEEP THESE INSTRUCTIONS FOR FUTURE REFERENCE

**www.habitat.co.uk** or write to this address:

**Habitat Retail Ltd. 489-499 Avebury Boulevard, Milton Keynes MK9 2NW**