

4 Cube Storage Unit

Assembly Instructions - Please keep for future reference

011 xx 3555

385 / 0886

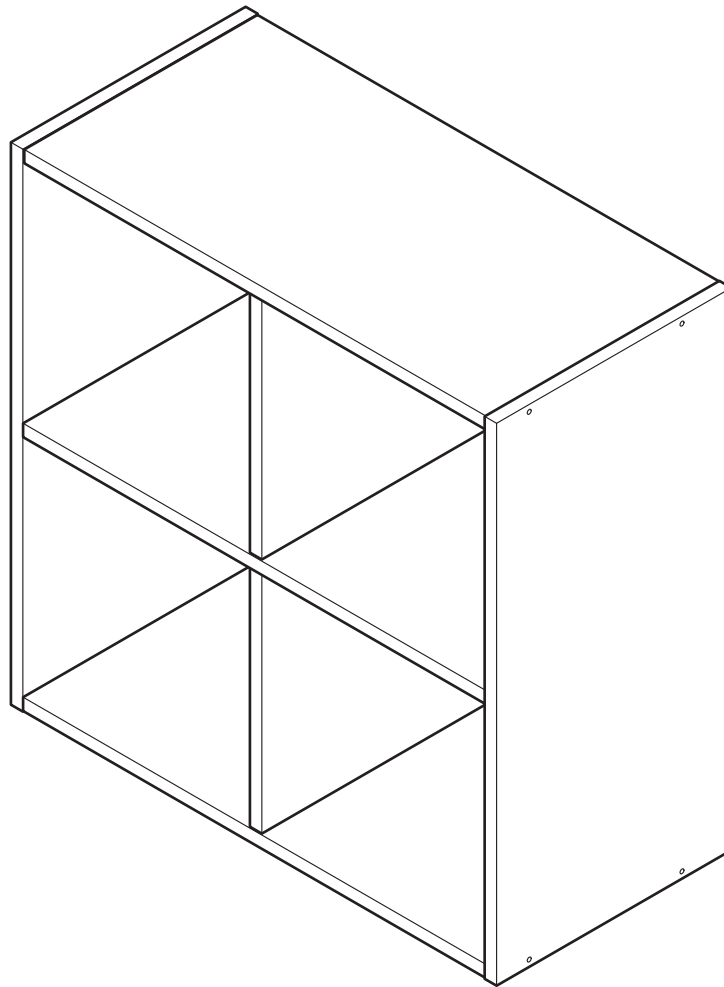
426 / 9706

404 / 5982

122 / 7954

109 / 7232

116 / 5140



Dimensions

Width - 61.2cm

Depth - 29.5cm

Height - 61.2cm



**MADE IN
GREAT BRITAIN**

Important - Please read these instructions fully before starting assembly

If you need help or have damaged or missing parts, call the **Customer Helpline: 01709 534123**
Please turn to back page for important information when contacting Customer Helpline.



Safety and Care Advice

Important - Please read these instructions fully before starting assembly

- Check you have all the components and tools listed on pages 2 and 3.
- Remove all fittings from the plastic bags and separate them into their groups.
- Keep children and animals away from the work area, small parts could choke if swallowed.
- Make sure you have enough space to layout the parts before starting.

- Do not stand or put weight on the product, this could cause damage.
- Assemble the item as close to its final position (in the same room) as possible.
- Assemble on a soft level surface to avoid damaging the unit or your floor.
- Parts of the assembly will be easier with 2 people.



• We do not recommend the use of power drill/drivers **for inserting screws**, as this could damage the unit. Only use hand screwdrivers.

- **Do Not dispose of packaging until assembly complete.**
- Dispose of all packaging carefully and responsibly when assembly complete.

Care and maintenance

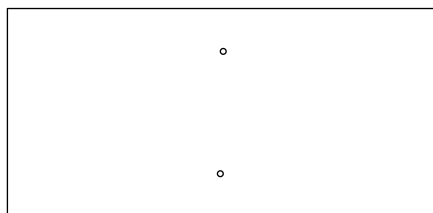
- To protect the furniture, position the furniture out of direct sunlight and away from direct heat sources such as radiators and fires.
- Do not place the furniture in excessively dry and humid conditions.
- From time to time check that there are no loose screws on this unit.
- Always lift furniture when moving it (do not drag) otherwise the joints may be damaged.
- Do not place hot or cold objects on the surface, always use protective mats to avoid marking the furniture.
- This product should not be discarded with household waste. Take to your local authority waste disposal centre.
- Clean spills up immediately
- Dust surfaces with a soft, dry, lint free cloth.
- More stubborn marks can be removed using a damp (not wet) cloth. Wipe the surface dry immediately using a soft lint free cloth.
- Do not use detergents, abrasive cleaning products or cleaning products that contain ammonia, solvents or silicone as these may damage the surface finish.

Components - Panels

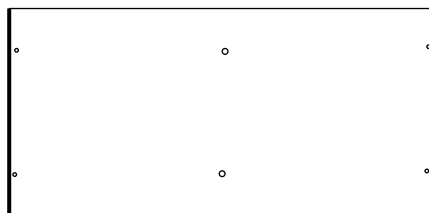
Please check you have all the panels listed below



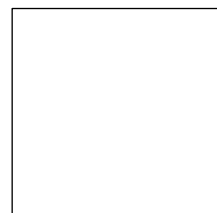
Important - Thick lines  indicate finished edges



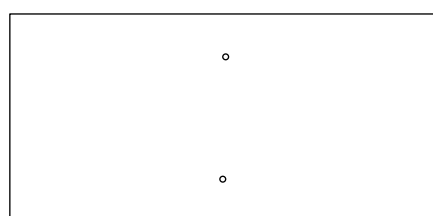
9096 Top / Bottom x2 (58.0x29.3cm)



9103 End Panel x2 (61.2 x 29.5cm)



9098 Divider x2 (28.2x29.1cm)



9097 Shelf (58.0x29.3cm)



9101 Back Panel x2 (30.8x29.5cm)


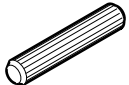
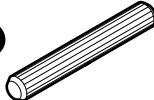
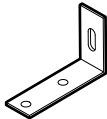


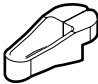



Components - Fittings

If you have damaged or missing components, call the **Customer Helpline: 01709 534123** Please turn to back page for important information when contacting Customer Helpline.

Please check you have all the fittings listed below

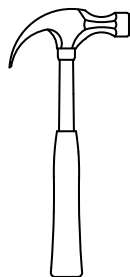
Note: The quantities below are the correct amount to complete the assembly, In some case more fittings may be supplied than are required.

A  45mm screw x 8 Code 690001075	B  Dowel 30mm x 8 Code 770001006	C  Dowel 50mm x 2 Code 770003550
D  L bracket x 1 Code 760001901	E  12mm screw x 2 Code 690001099	F  Panel pin x 16 Code 760001012
G  Panel Pin Locator Code 684004501	H  Cover cap x 8	

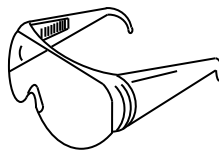
Tools required



Large Cross
Headed
Screwdriver

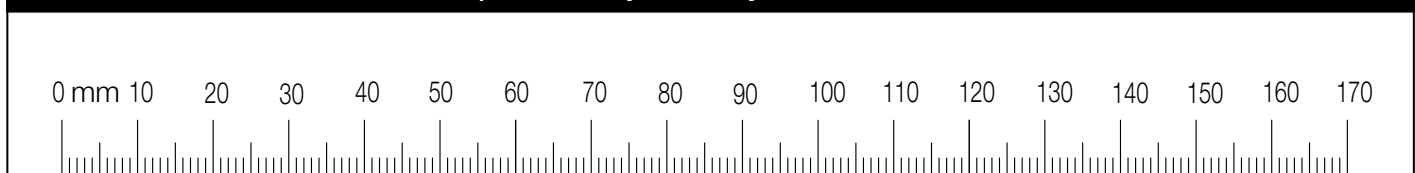


Small Hammer

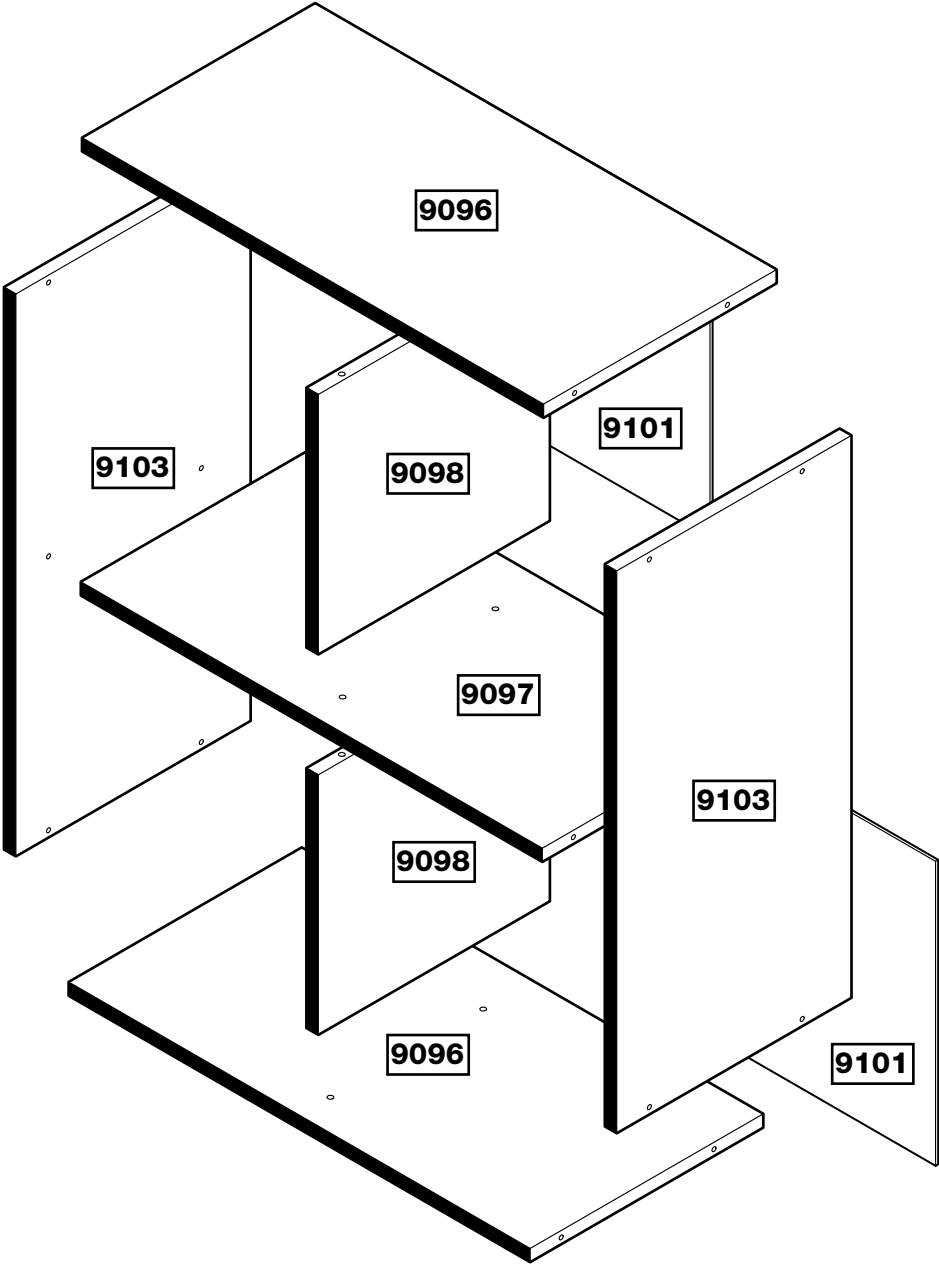


Eye protection
(when using a
hammer)

Ruler - Use this ruler to help correctly identify the screws



Exploded View



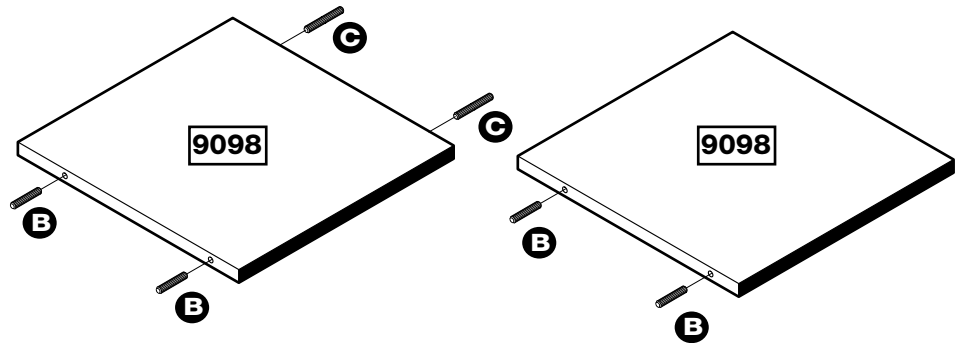
Assembly Instructions

Step 1

Fitting dowels to the divider panel.

Insert 2 of the 30mm dowels **B** into the pre-drilled holes in one end of the divider panel **9098** and 2 50mm dowels **C** into the pre-drilled holes in the other end of the same panel.

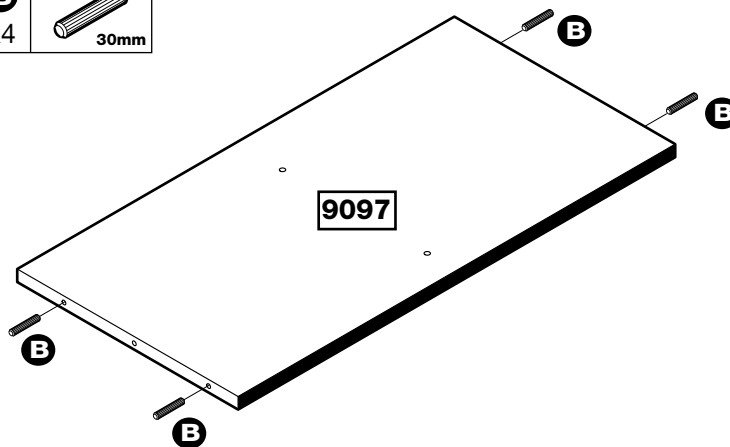
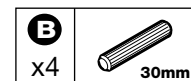
Insert 2 of the 30mm dowels **B** into **only one** end of the other divider panel **9098**.



Step 2

Fitting dowels to the shelf panel.

Insert 2 of the 30mm dowels **B** into the pre-drilled holes in both ends of the shelf panel **9097**.

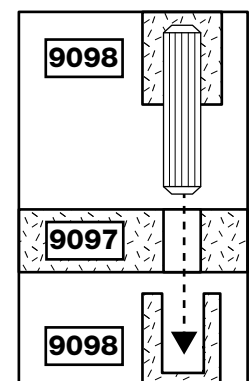
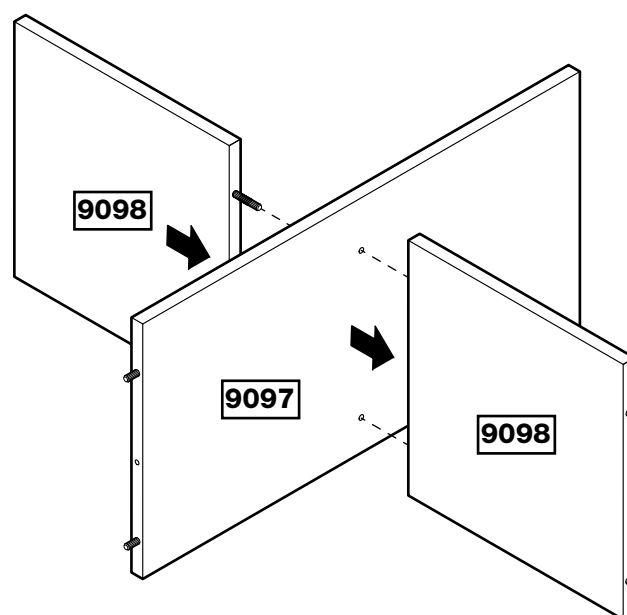


Step 3

Connect divider panel and divider panels.

Locate the divider panel **9098** which has the 2 50mm dowels **C** inserted into the pre-drilled holes.

Slide the 50mm dowels **C** through the pre-drilled holes in the shelf panel **9097** and connect to the remaining divider panel **9098**.



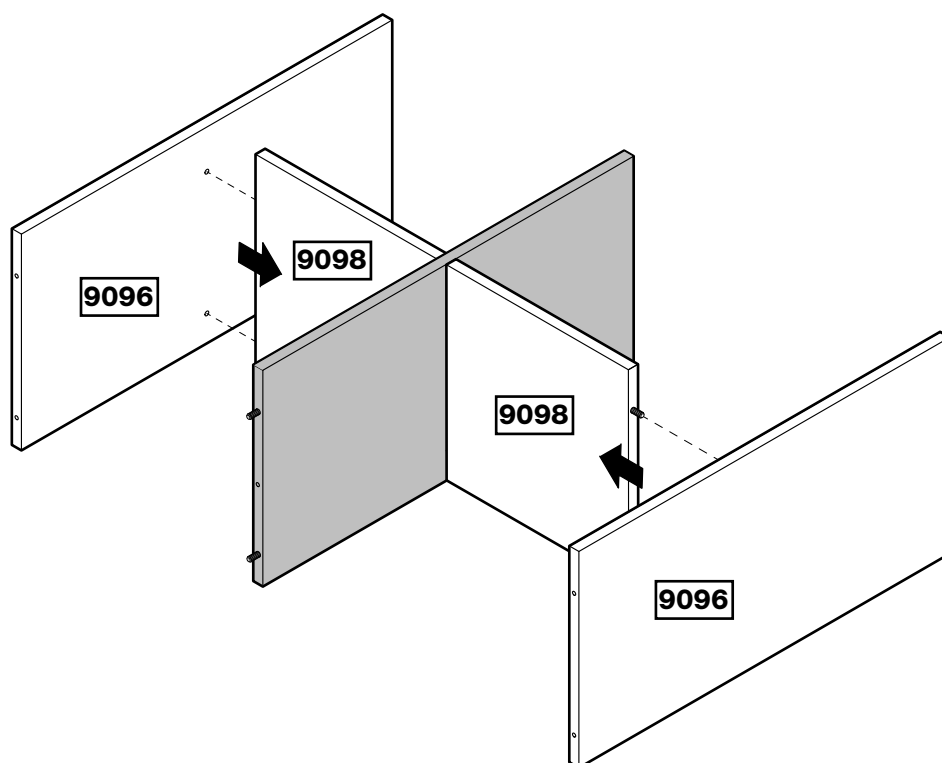
FINISHED EDGES TO THE FLOOR

Assembly Instructions

Step 4

Connect top/bottom panels to the dividers panels.

Insert the dowels (already inserted in the divider panels) **9098** into the pre-drilled holes in the top/bottom panel **9096**.

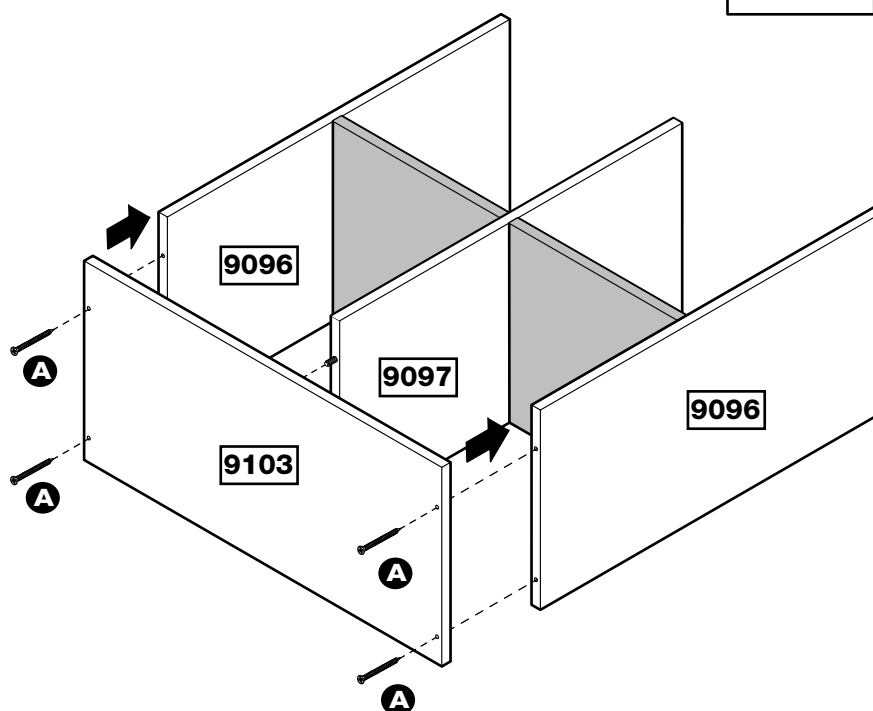
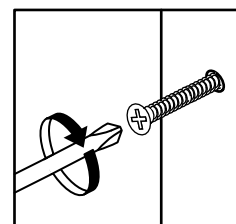
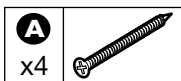


Step 5

Fasten one of the end panels to the shelf and top/bottom panels.

Connect the end panel **9103** to the dowels in the shelf panel **9097** (already inserted).

Secure the end panel **9103** in place by using screws **A** and screwing into the pre-drilled holes in the top/bottom panels **9096**.



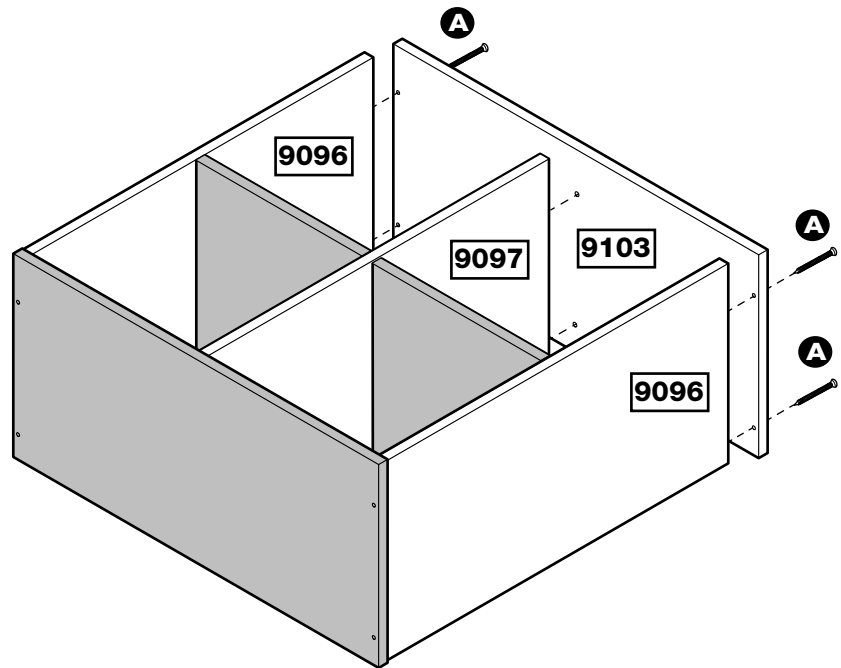
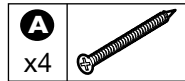
Assembly Instructions

Step 6

Fasten the other end panel to the shelf and top/bottom panels.

Connect the end panel **9103** to the dowels in the shelf panel **9097** (already inserted).

Secure the end panel **9103** in place by using screws **A** and screwing into the pre-drilled holes in the top/bottom panels **9096**.



Step 7

IMPORTANT!

Squaring the unit up.

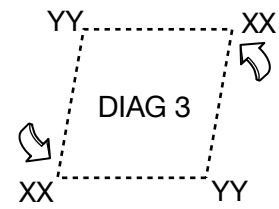
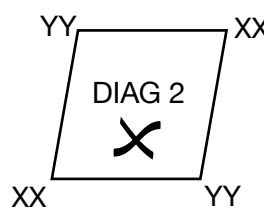
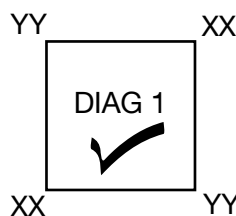
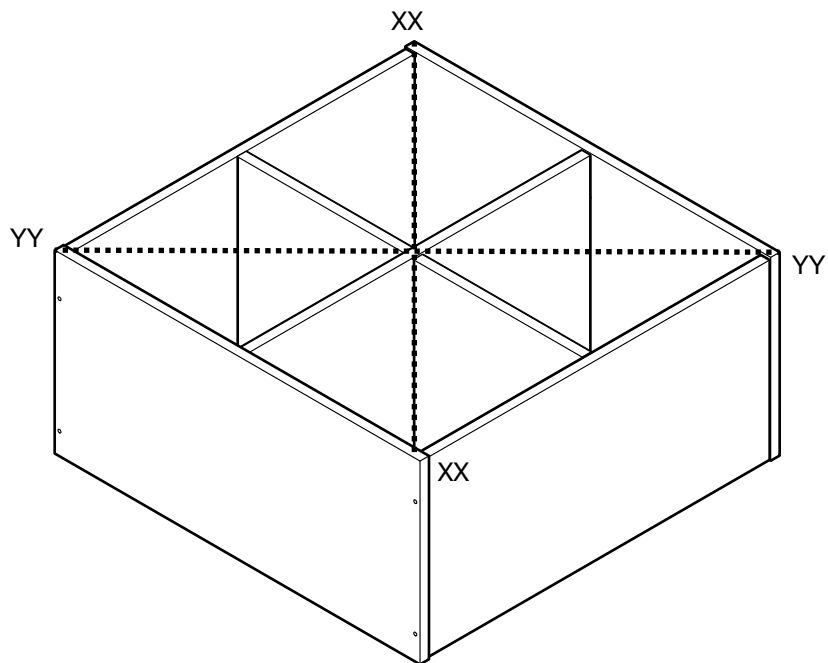


Ensure a tape measure is used to square unit up!

Before securing the back it is necessary to square up the unit.

You can do this by measuring between XX - XX and YY - YY ensuring these are the same (DIAG 1).

If they are not (DIAG 2) Apply slight pressure as indicated (DIAG 3) until they are the same.



Assembly Instructions

Step 8

Attach the 2 back panels.

Use the panel pin guide when locating the panel pins. This will hold the panel pins vertical and ensure the correct distance from the edge.

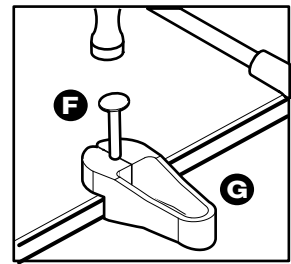
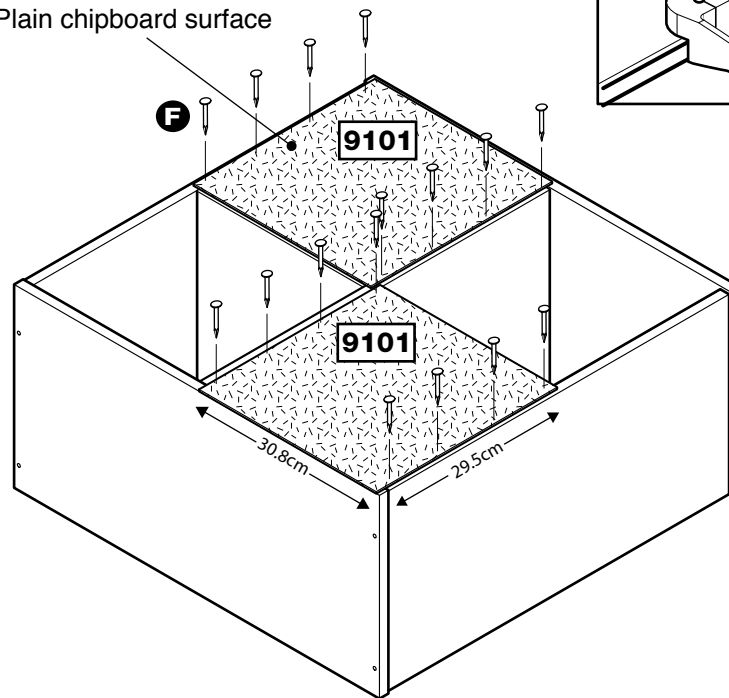
Ensure that you measure the backpanel and attach the longest side as shown.

Ensure that the distance from the edge of the back panels to the edge of the top / bottom / end panels is equal on every back panel.

Stand the unit upright.



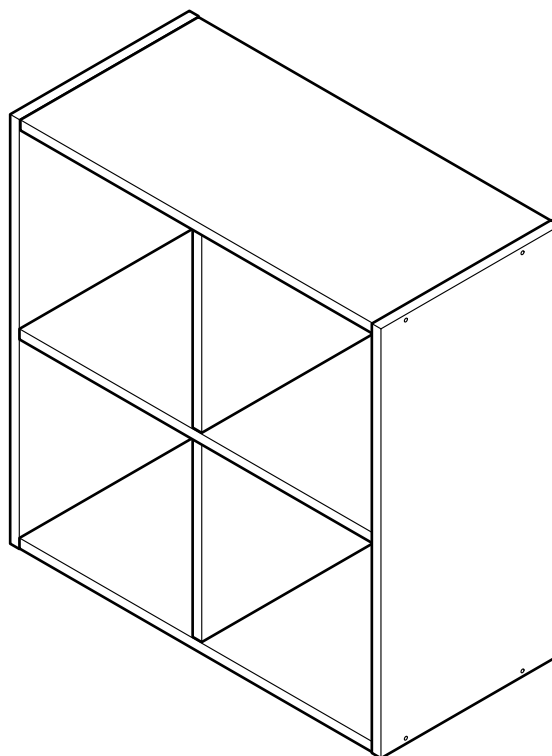
Plain chipboard surface



Step 9

Fixing to wall

We recommend that this unit is fixed to a suitable wall to prevent possible overbalancing. We have included a fixing bracket for this. No fixing screws are provided as they will need to suit the wall type, and the length of screw will depend on the distance from the back of the unit to the wall. Please ensure fixings used are appropriate to your wall type. Locate the bracket to the top panel or to the end panel as close to top as possible. We do not specify exact location for the bracket, this is left to the customer's discretion.



Warning:

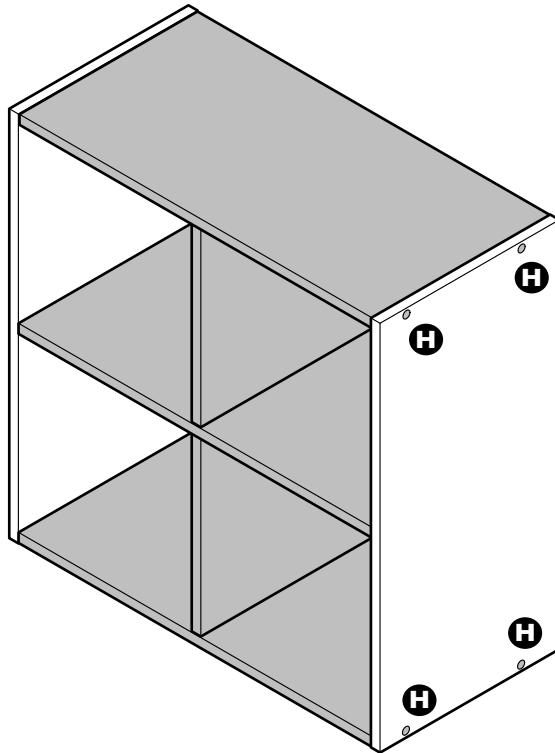
Please take care when drilling into the wall, avoiding any pipes and wires. Wear safety goggles when drilling. The use of residual current device (RCD) is recommended when working with tools. If in doubt consult a qualified person.

Assembly Instructions

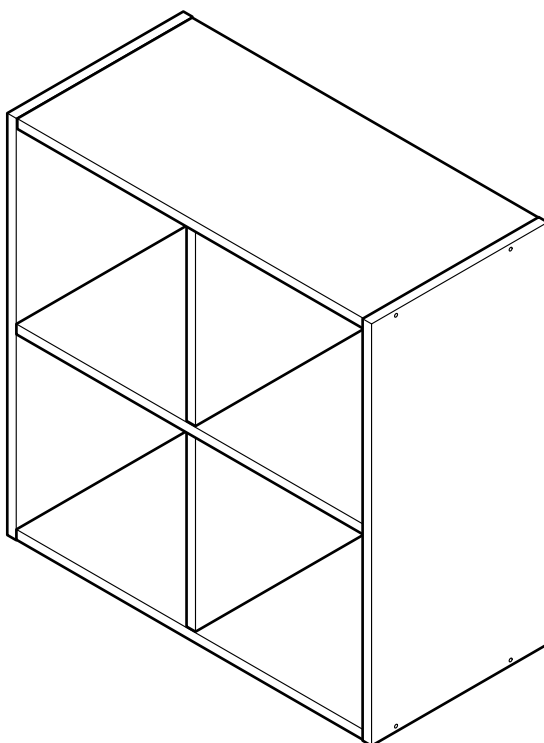
Step 8

Use the cover caps to conceal exposed fittings.

Using the 8 cover caps **H** provided, conceal the exposed screws by placing these caps over them.



Congratulations! Your unit is complete.



Important Information

If you need help or have damaged or missing parts, call the **Customer Helpline:**

01709 534123 8am - 4.30pm (Monday to Thursday)
8am - 2.30pm (Fridays)

(by contacting the customer service line your statutory rights are not affected)

Please have the following information to hand:

- >> Unit Description
- >> Product Code
- >> Product Colour
- >> Place of Purchase
- >> Catalogue Ref. No.
- >> Item Code
- >> Assembly Instructions

We do have an answer machine should you contact us out of office hours, so in addition to the above information could you leave your name, address, daytime telephone number and the nature of your call on the answerphone. All calls will be actioned asap.

You can also e-mail your requests to us at:

customer.helpdesk@addspacefl.co.uk

Alternatively, you can write to us at: Customer Service Department, Addspace Furniture Limited, Braithwell Way, Hellaby Industrial Estate, Hellaby, Rotherham, South Yorkshire, S66 8QY.

Notes