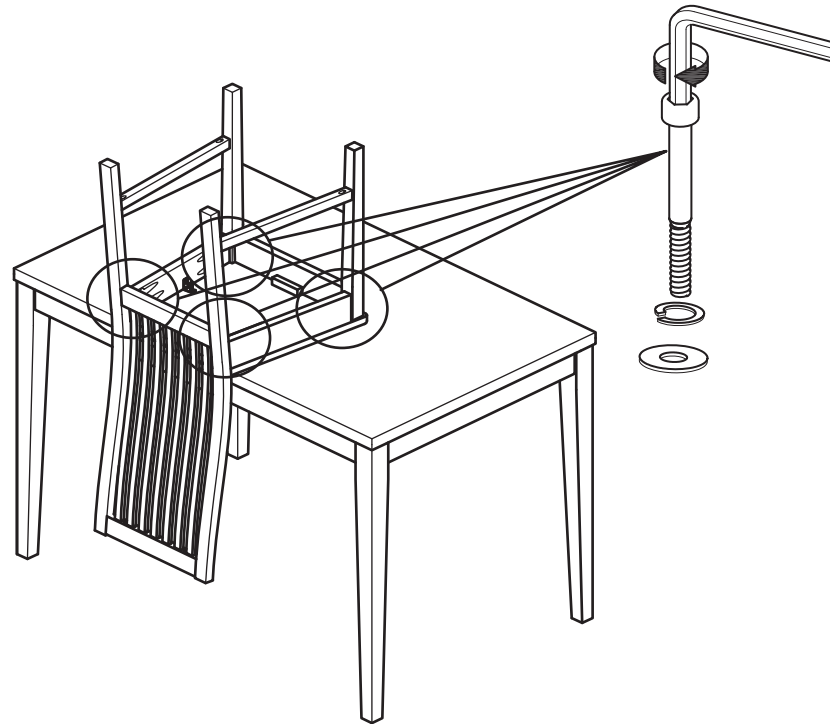


# Assembly Instructions

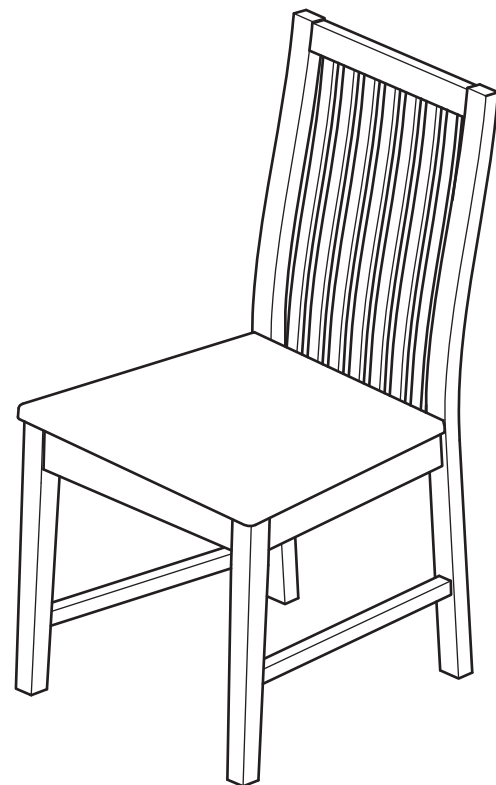
**c:** After the sitting test, re - tighten bolts again, if any adjustment needed.

**c:**



**d:** It is highly recommend to re - tighten all the bolts again after using the chair for 7 days.

**d:**



**Note :** Please keep the allen key to re - tighten all bolts again when required.

**Assembly is complete.**

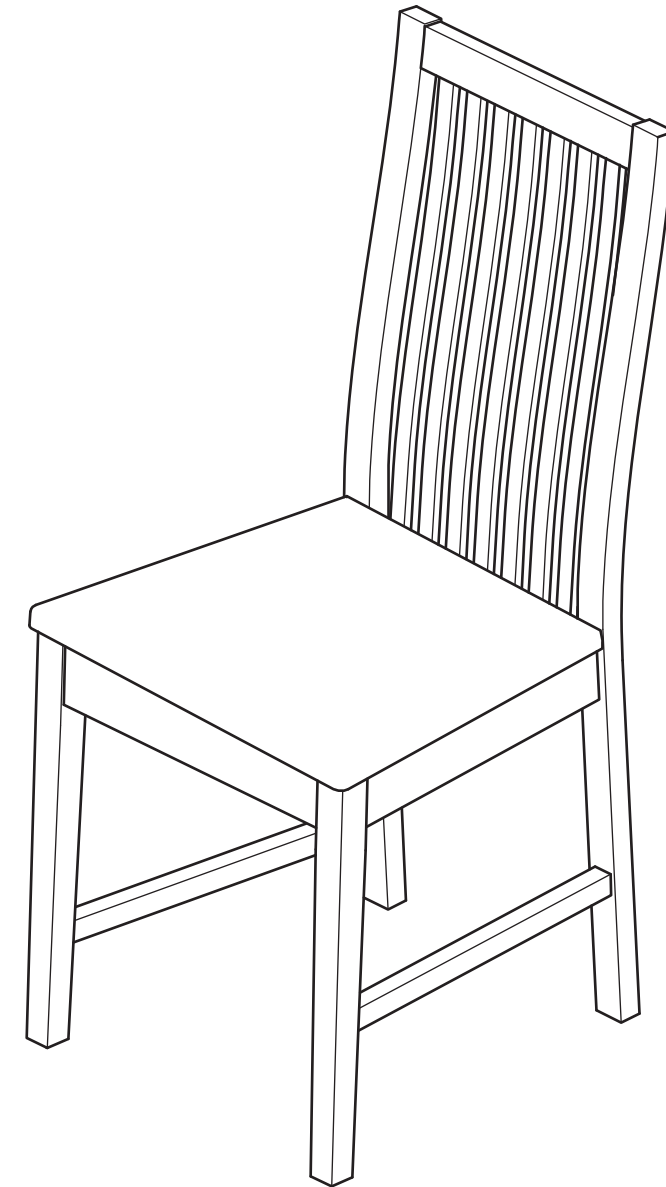
If you need help or have damaged or missing parts, call the **Customer Helpline: 0845 6400800**

# Paris Chair

Assembly Instructions - Please keep for future reference

603/7840

603/7857



## Dimensions

Width - 47cm  
Depth - 55cm  
Height - 96cm

**Important – Please read these instructions fully before starting assembly**

If you need help or have damaged or missing parts, call the **Customer Helpline: 08456 400800**

# ! Safety and Care Advice

## Important – Please read these instructions fully before starting assembly

- Check you have all the components and tools listed on page 2 and 3.

- Remove all fittings from the plastic bags and separate them into their groups.

- Keep children and animals away from the work area, small parts could choke if swallowed.

- Make sure you have enough space to layout the parts before starting.

- Do not stand or put weight on the product during assembly, this could cause damage.

- Assemble the item as close to its final position (in the same room) as possible.

- Assemble on a soft level surface to avoid damaging the unit or your floor.

- Parts of the assembly will be easier with 2 people.



- We do not recommend the use of power drill/drivers **for inserting screws**, as this could damage the unit. Only use hand screwdrivers.

- Dispose of all packaging carefully and responsibly.

- Maximum safe weight of user: 110 Kgs.

## Care and maintenance

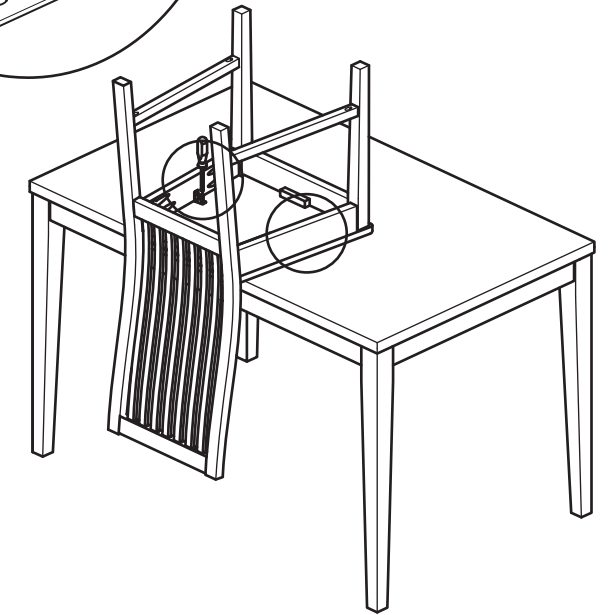
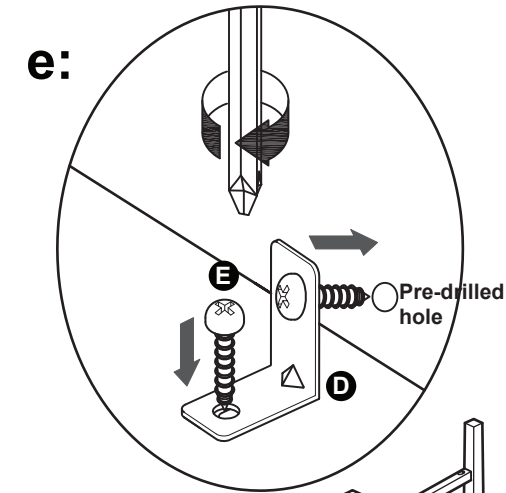
- Only clean using a damp cloth and mild detergent, do not use bleach or abrasive cleaners.

- From time to time check that there are no loose screws on this unit.

- This product should not be discarded with household waste. Take to your local authority waste disposal centre.

# Assembly Instructions

**e:** Screw **E** the lock seats **D** with hand screw driver by following the pre drilled holes.

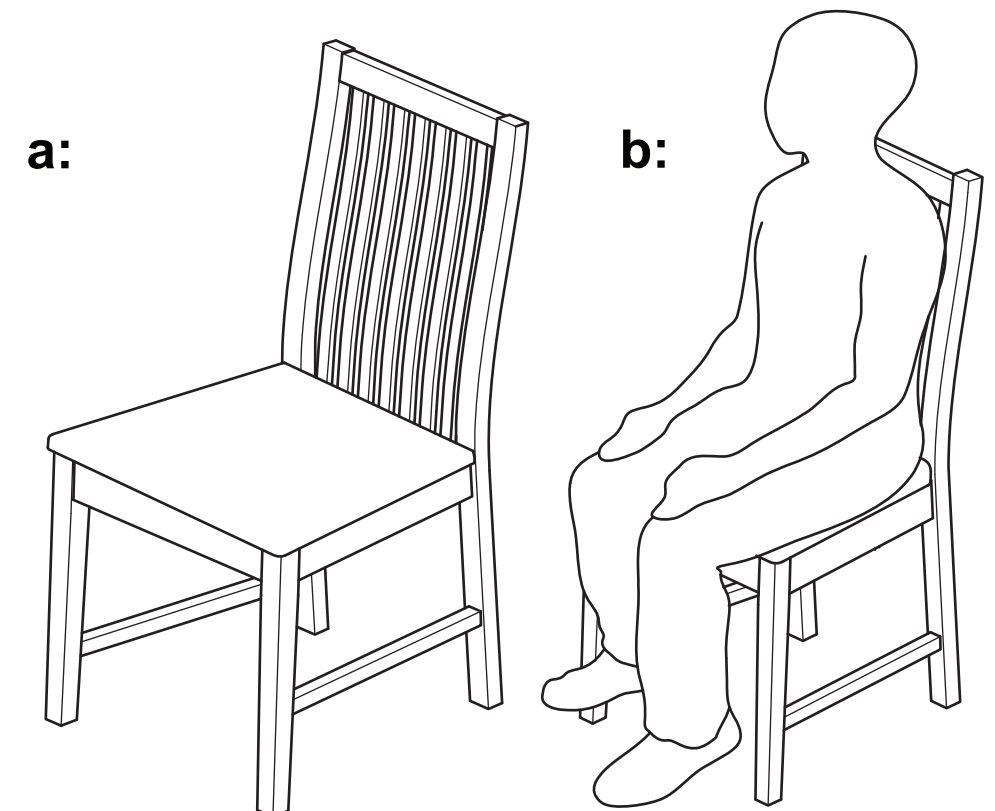


## Step 2

**Note :** Stand the chair on a level floor.

**a:** Tighten all bolts.

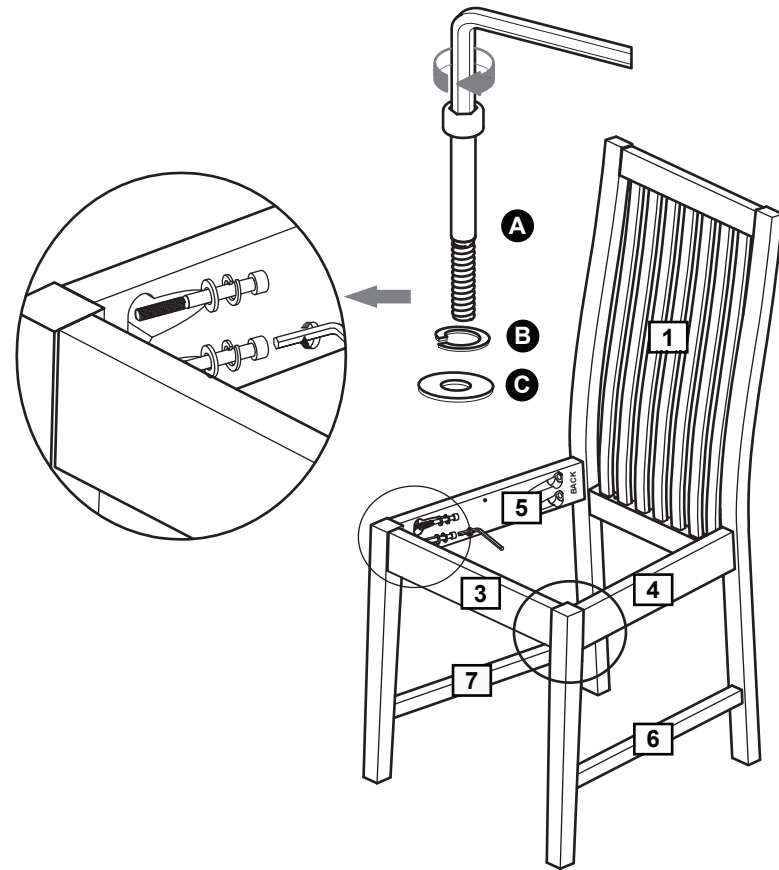
**b:** Sit on the chair to the legs.



# Assembly Instructions

**c:** Stand the chair on a floor. Insert bolts **A** with spring washers **B** and washers **C** through side rails holes into front leg frame **3** screw all bolts by using ball allenkey **G**.

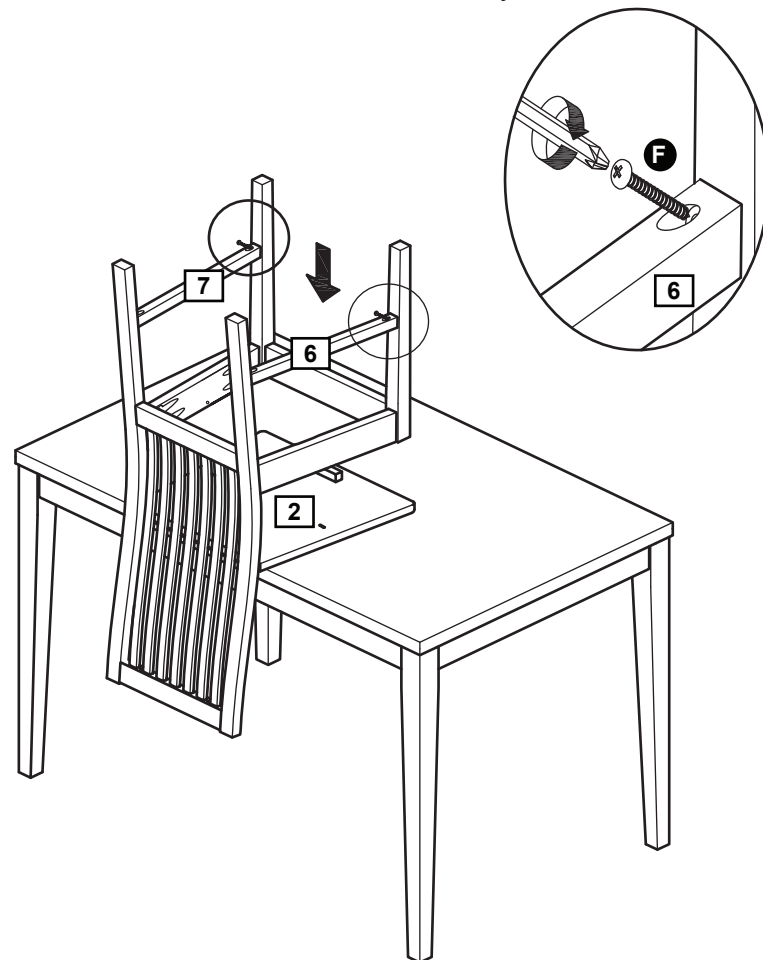
**c:**



**d:**

**d:** Place the seat pad **2** on the table. Put the chair frame on top of the seat back.

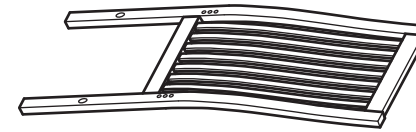
Insert screw **F** into the pre - drilled holes on the right leg rail **6** and left leg rail **7** using a screwdriver.



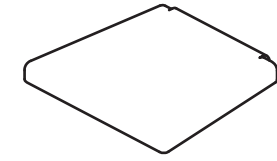
# Components - Parts

If you have damaged or missing components, call the **Customer Helpline: 08456 400800**

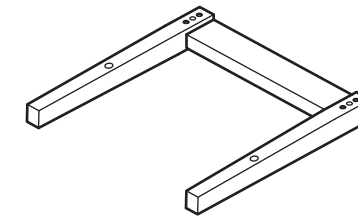
Please check you have all the parts listed below



**1** Chair back x 1



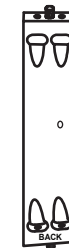
**2** Seat x 1



**3** Front leg frame x 1



**4** Right side rail x 1



**5** Left side rail x 1



**6** Right leg rail x 1

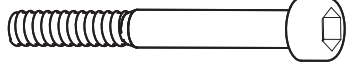



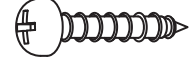
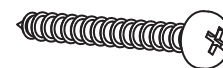



**7** Left leg rail x 1

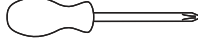
# Components - Fittings

Please check you have all the fittings listed below

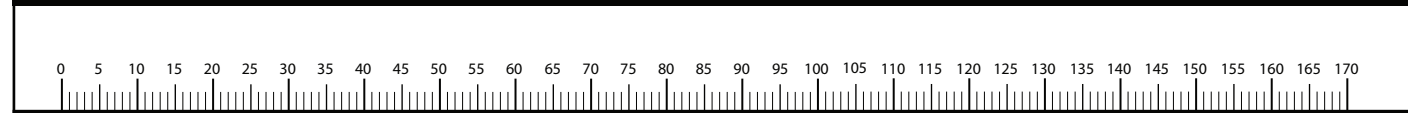
**Note:** The quantities below are the correct amount to complete the assembly. In some cases more fittings may be supplied than are required.

<b>A</b>  Bolt x 8	<b>B</b>  Spring washer x 8	<b>C</b>  Washer x 8
<b>D</b>  Lock seat x 2	<b>E</b>  Screw x 4	<b>F</b>  38mm Screw x 4
<b>G</b>  Ball allenkey x 1		

## Tools required

 Phillips screwdriver  
(medium & large)

**Ruler** - Use this ruler to help correctly identify the screws



# Assembly Instructions

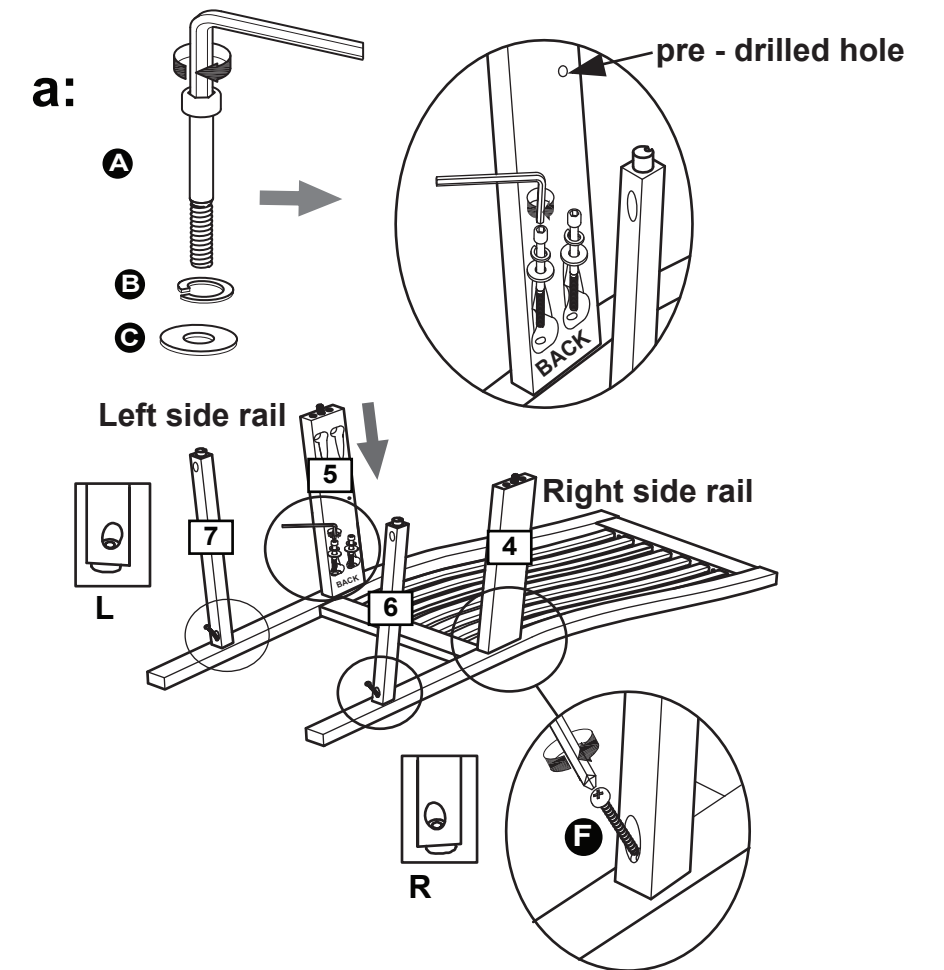
## Step 1

**a:** Put left side rail **5** into left side hole of the chair back **1** and right side rail **4** into right side hole. Insert bolt **A** with spring washers **B** and washers **C** through side rails holes into the chair backs. Screw all bolts by using ball allenkey **G**.

Insert screw **F** into the pre-drilled holes in the right leg rail **6** and left legs rail **7** tighten (although not fully) with a screwdriver.

**Do not fully tighten.**

**b:** Fit the front leg frame **3** onto the right and left side rails **4** **5** and right and left leg rails **6** **7**.



**b:**

